











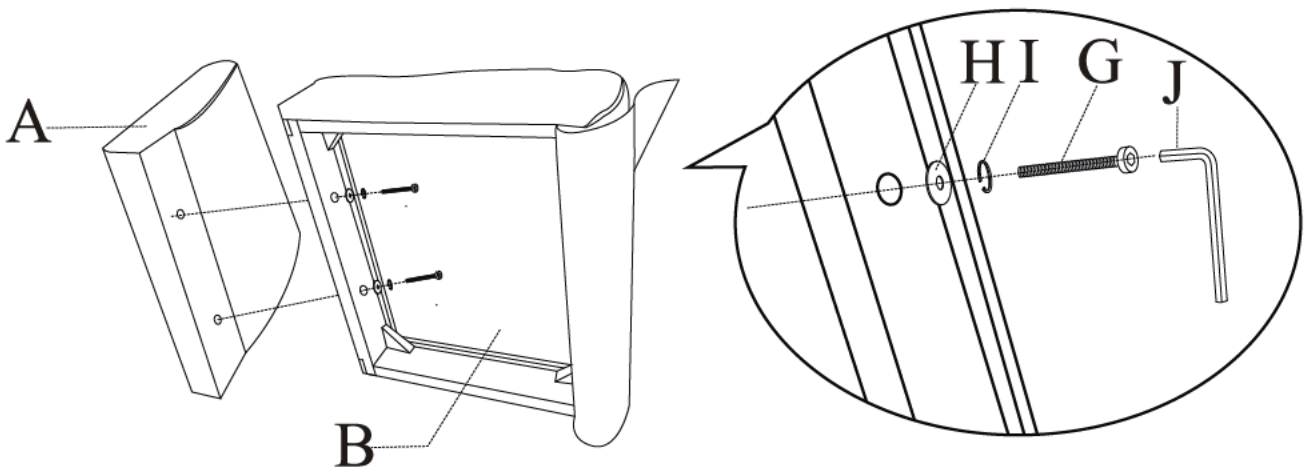


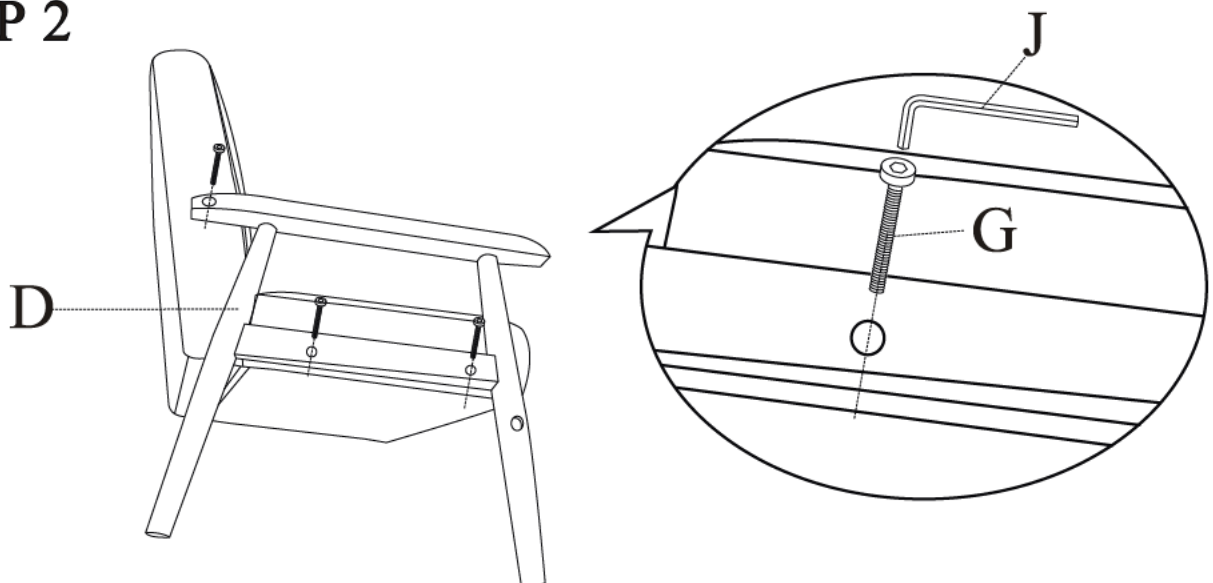
ASSEMBLY INSTRUCTION

| NO. | SKETCH | DESCRIPTION | QTY | NO. | SKETCH | DESCRIPTION | QTY |
|-----|---|-------------|-----|-----|--|------------------|-----|
| A |  | BACK | 1 | F |  | BOLT 1/4*80mm | 2 |
| B |  | SEAT | 1 | G |  | BOLT 1/4*60mm | 8 |
| C |  | STRETCHER | 1 | H |  | WASHER | 2 |
| D |  | LEFT ARM | 1 | I |  | SPRING WASHER | 2 |
| E |  | RIGHT ARM | 1 | J |  | ALLEN WRENCH | 1 |
| | | | | K |  | BARREL NUT | 2 |
| | | | | L |  | CAP | 8 |

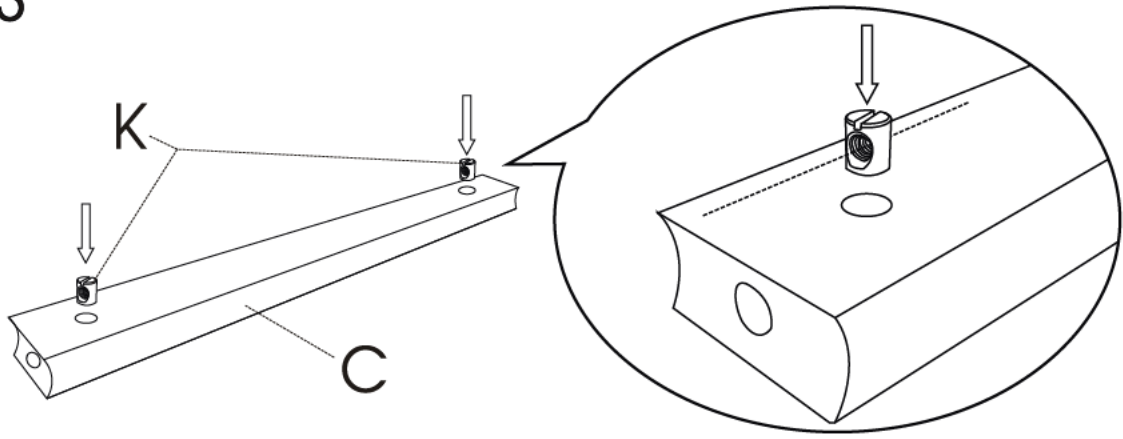
STEP 1



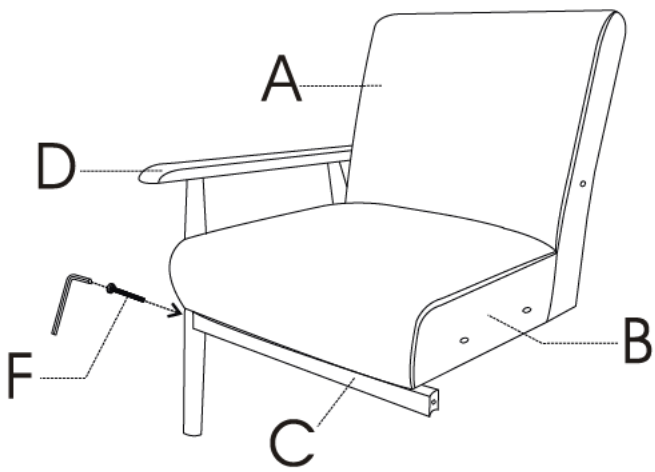
STEP 2



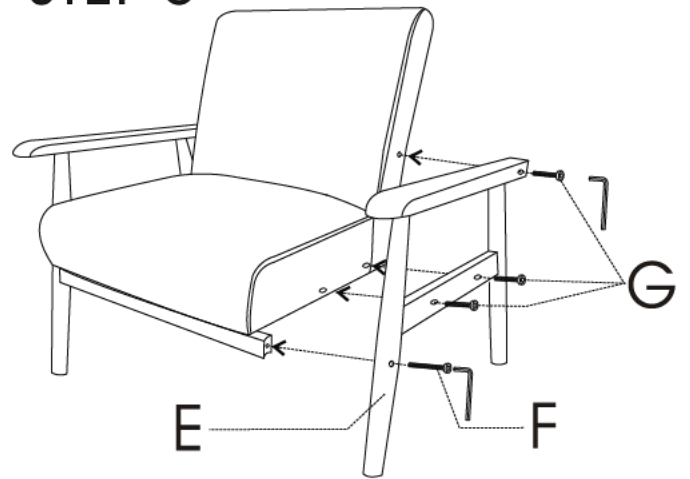
STEP 3



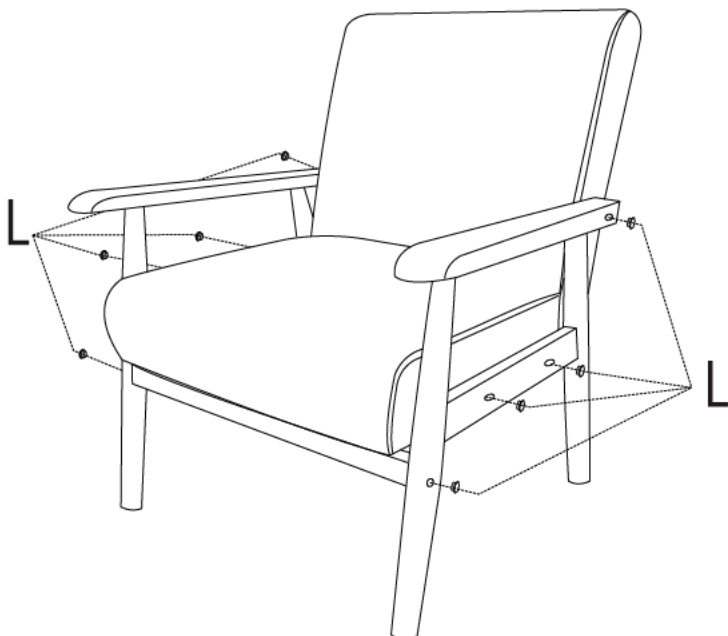
STEP 4



STEP 5



STEP 6



STEP 7

