



20-year warranty



Having trouble?

If you have questions or concerns regarding assembly instructions or missing parts, please contact us



Cleaning tips

For a Quick Clean:

Simply wipe down with soap and water.

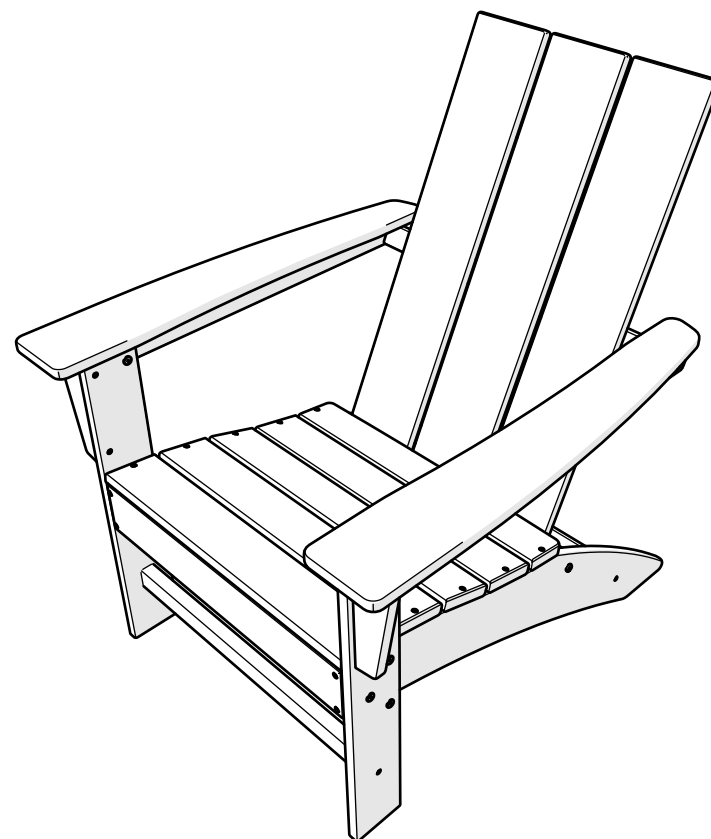
For a Deep Clean:

Wipe on 1/3 bleach and 2/3 water solution with a clean cloth and let it sit on the lumber for a few minutes (this will not affect the color). Then, loosen any dirt and debris that may catch in surface grooves with a soft bristle brush; hose down to rinse.

For a High-Power Clean:

Use a pressure power washer (not exceeding 1,500 psi) to spray off dirt and debris. Apply a 1/3 bleach and 2/3 water solution and scrub with a soft-bristle brush. Hose down to rinse.

Assembly Instructions



**Modern
Adirondack Chair**

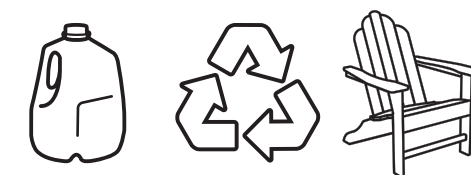
Thank You

Thank you !

We hope our furniture helps create a gathering place for you and your loved ones to enjoy for many years to come!

Share your space

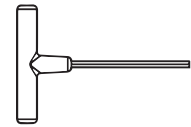
We love to see where our furniture ends up — snap a pic and tag it on Instagram or Facebook for your chance to be featured on our social channels!



Did you know?

It was the original outdoor furniture made from recycled materials.

TOOLS

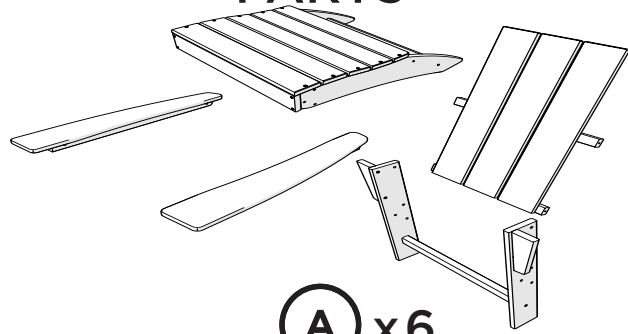


4mm T-handle hex key (included)



7/16" wrench (not included)

PARTS



A x6



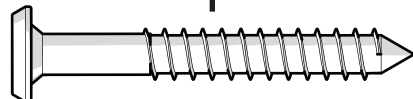
1.875" Bolt — H.25-20X1.875

B x2



2.25" Bolt — H.25-20X2.25

C x4



2" Screw — H.27X2

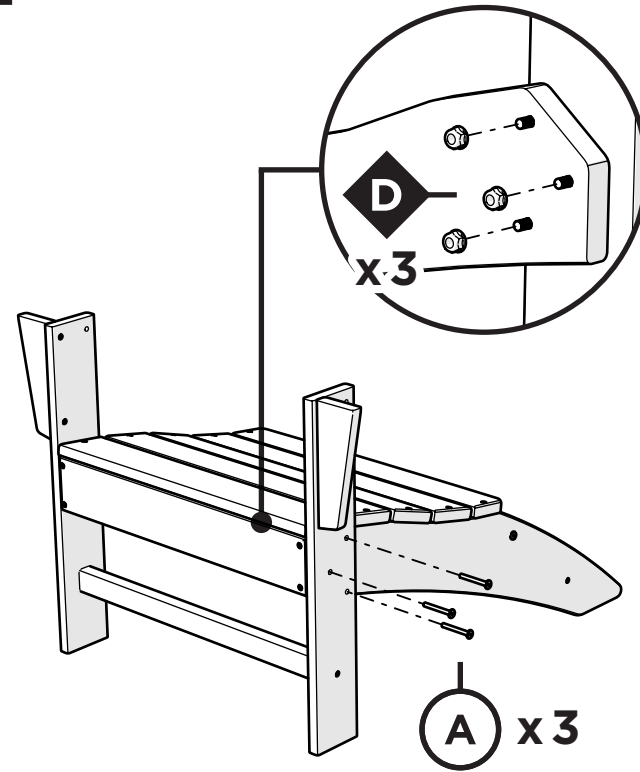
D



x8

Flange Nylon Lock Nut

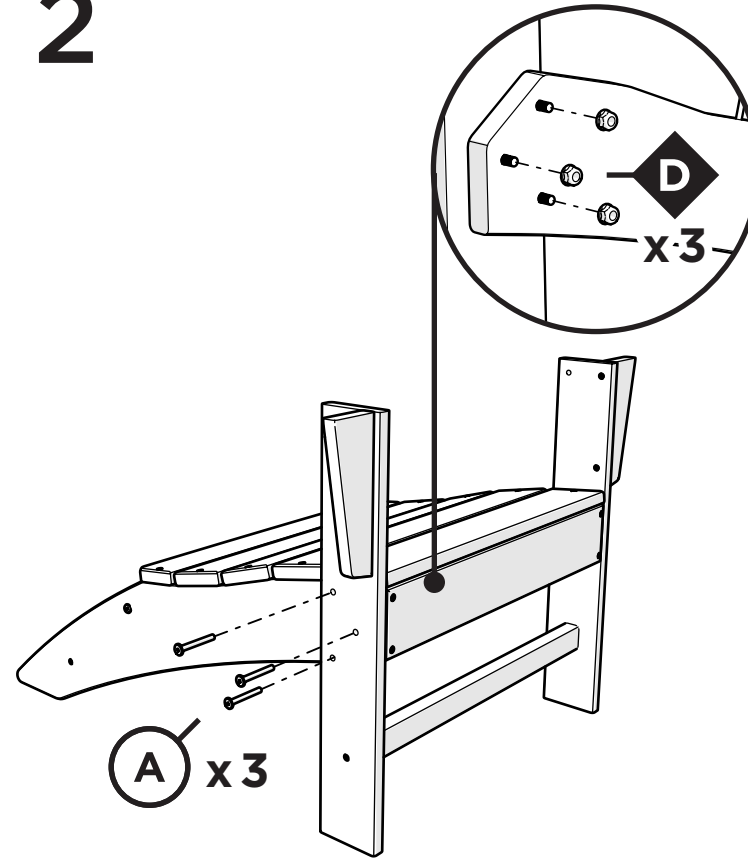
1



D x3

A x3

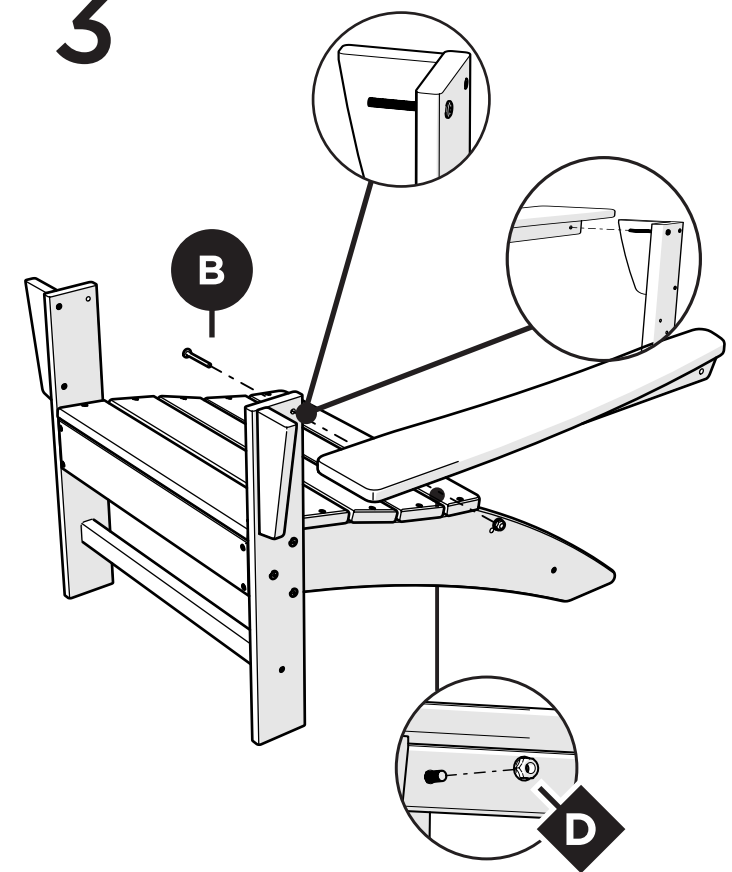
2



D x3

A x3

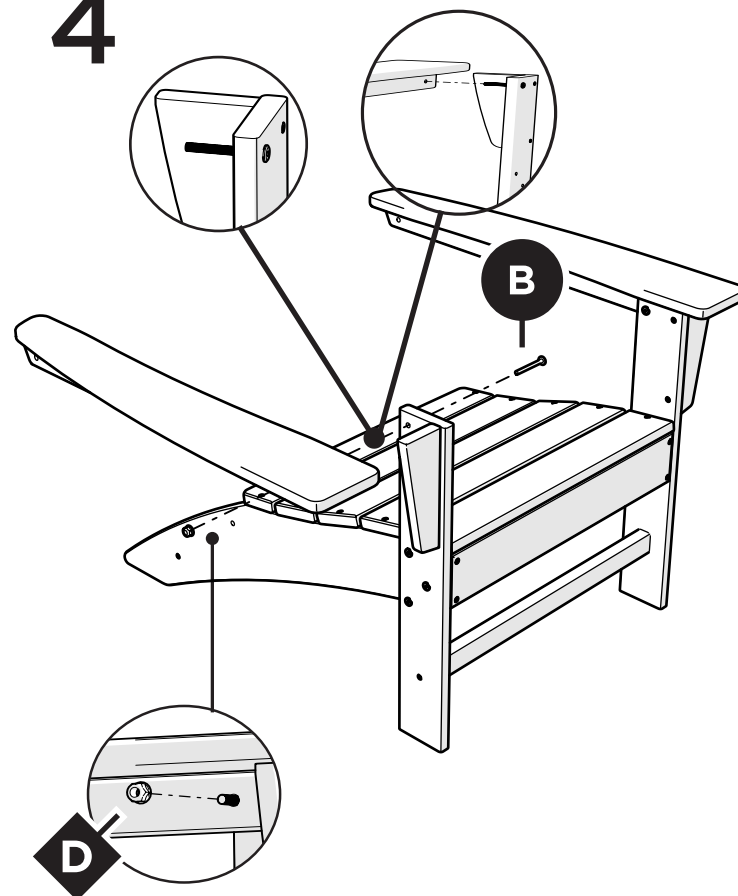
3



B

D

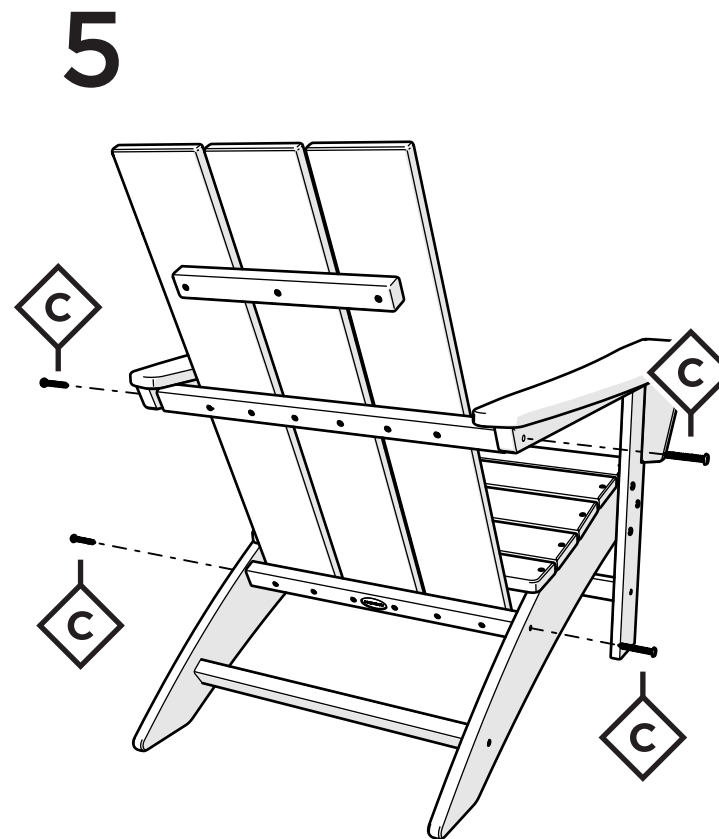
4



B

D

5



C

C

C

C

