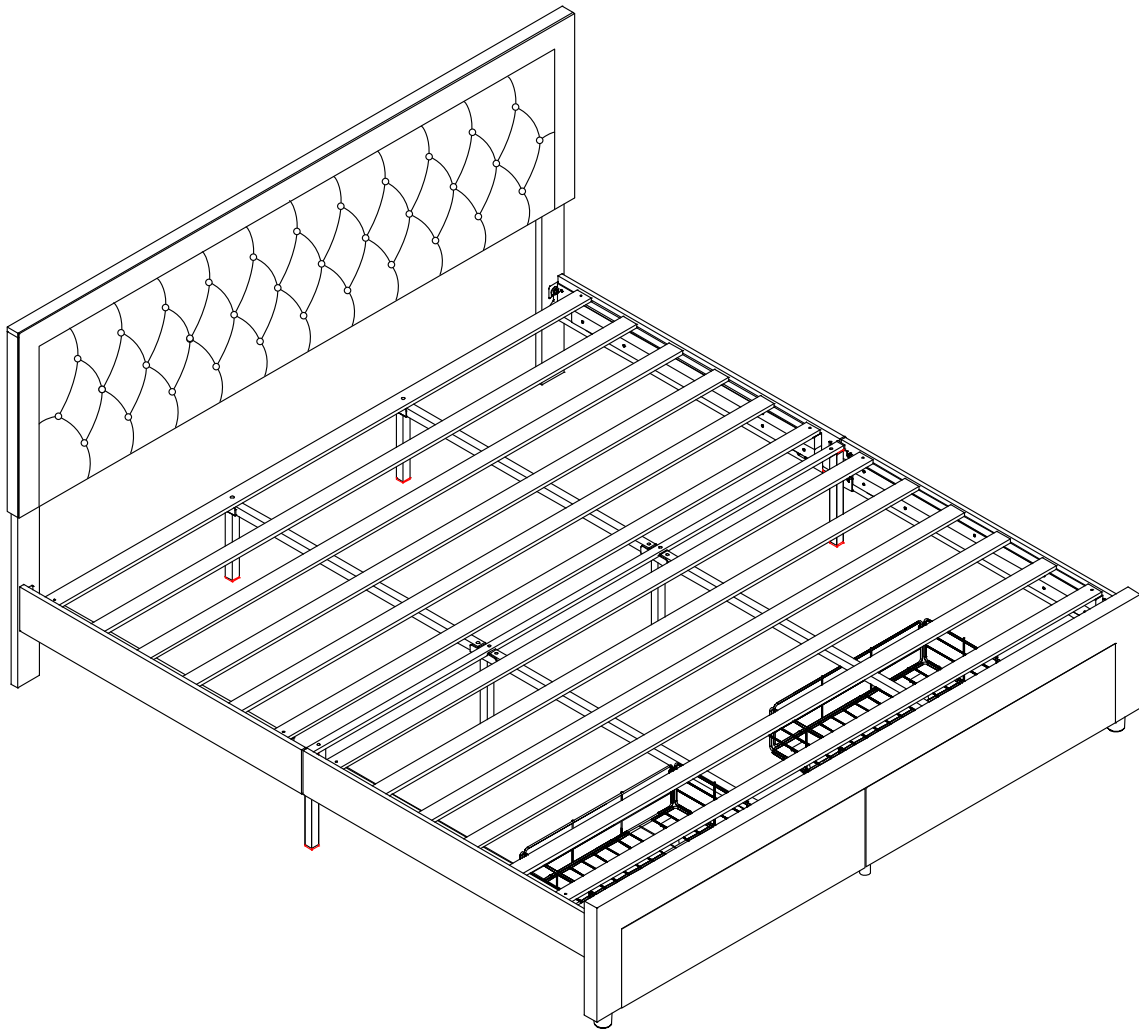
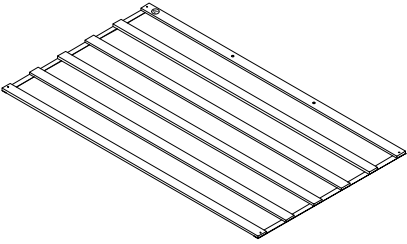
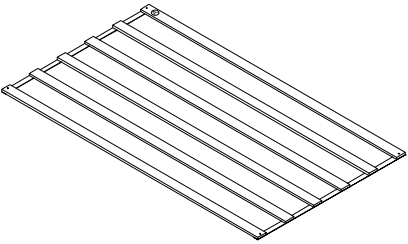
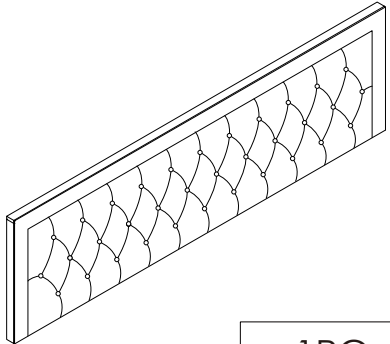

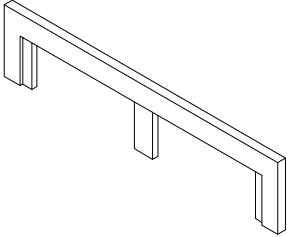
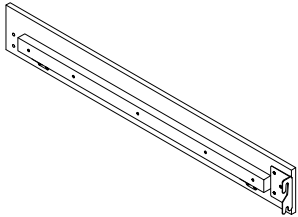
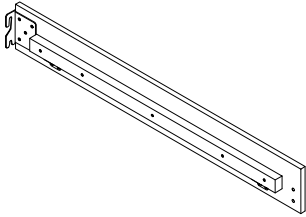
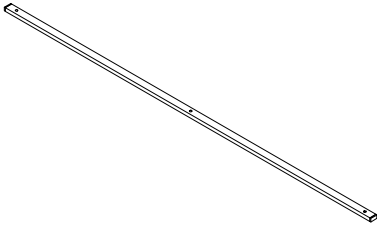
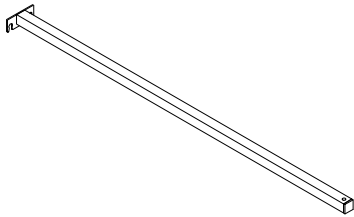
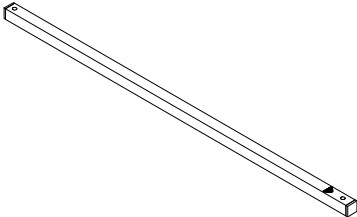
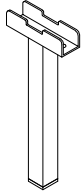
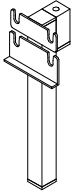

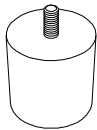
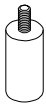


User's Manual

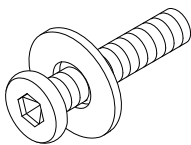

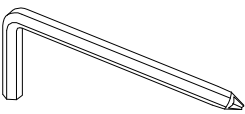
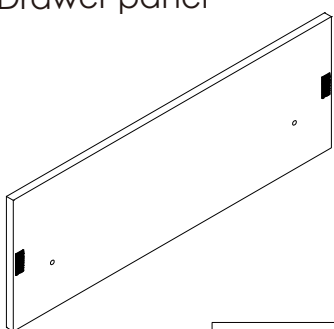
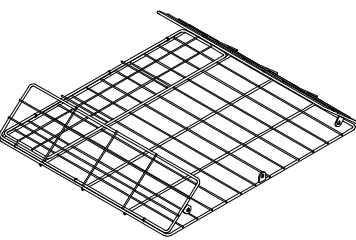
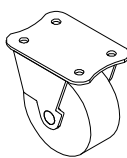
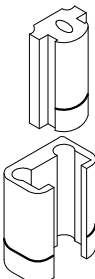

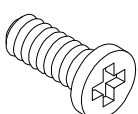
Bed Frame

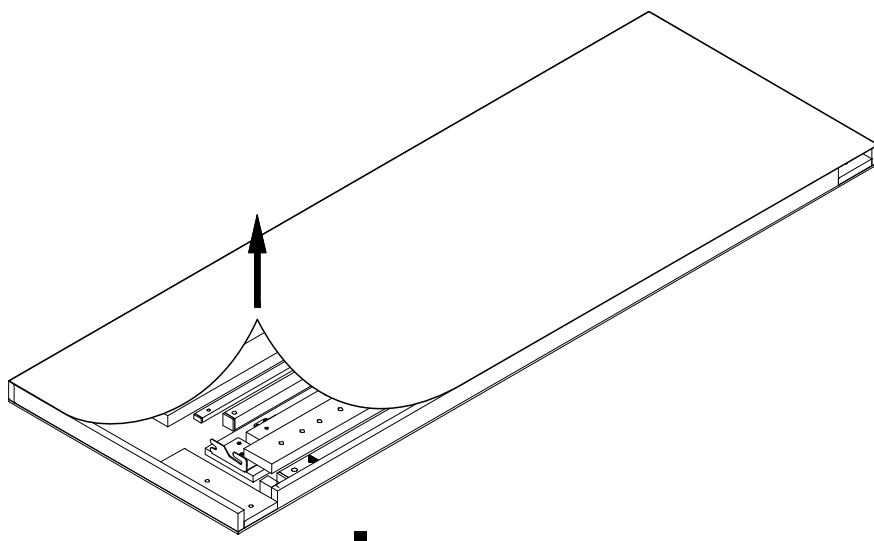


Parts List(EN) / Teile Liste(DE)

<p>A Front Slat</p>  <p style="text-align: right;">1PC</p>	<p>B Back Slat</p>  <p style="text-align: right;">1PC</p>	<p>C Headboard</p>  <p style="text-align: right;">1PC</p>
<p>D Headboard side leg</p>  <p style="text-align: right;">2PCS</p>	<p>E Footboard</p>  <p style="text-align: right;">1PC</p>	<p>F1 left siderails</p>  <p style="text-align: right;">2PCS</p>
<p>F2 Right siderails</p>  <p style="text-align: right;">2PCS</p>	<p>G The brace</p>  <p style="text-align: right;">1PC</p>	<p>H Back Middle cross beam</p>  <p style="text-align: right;">2PCS</p>
<p>I Front Middle cross beam</p>  <p style="text-align: right;">2PCS</p>	<p>J Middle leg</p>  <p style="text-align: right;">2PCS</p>	<p>K Edge of the foot</p>  <p style="text-align: right;">2PCS</p>
<p>L Front Leg</p>  <p style="text-align: right;">2PCS</p>	<p>M Bed leg</p>  <p style="text-align: right;">2PCS</p>	<p>M1 Bed leg</p>  <p style="text-align: right;">1PC</p>

Parts List(EN) / Teile Liste(DE)

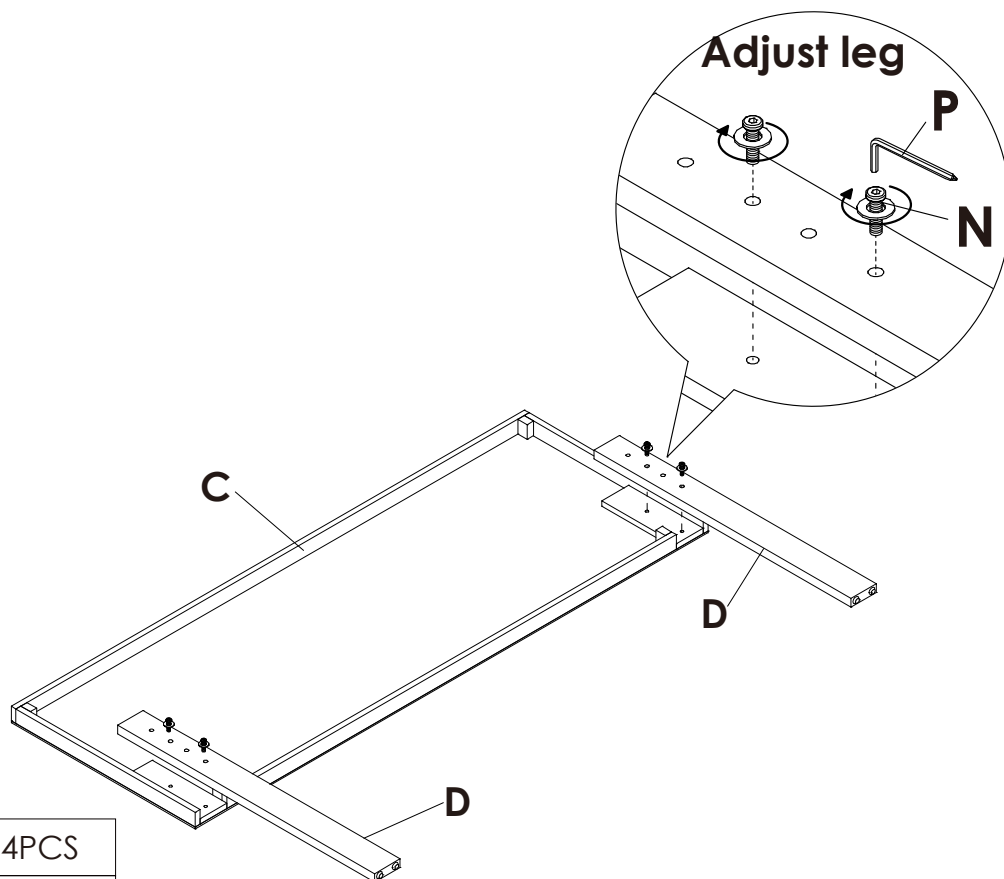
<p>N Innerscrew</p>  <p>M8×45mm 14+2PCS</p>	<p>O Screw</p>  <p>M3.5×30mm 8+1PCS</p>	<p>P Inner allen wrench</p>  <p>1PC</p>
<p>Q Drawer panel</p>  <p>2PCS</p>	<p>R Drawer</p>  <p>2PCS</p>	<p>S Drawer wheel</p>  <p>8PCS</p>
<p>T Drawer connector</p>  <p>4PCS</p>	<p>U Screw</p>  <p>M6×6mm 8+1PCS</p>	<p>V Screw</p>  <p>M6×15mm 6PCS</p>





A B C D E F1 F2 G H K L M M1 N O P Q R S T U V

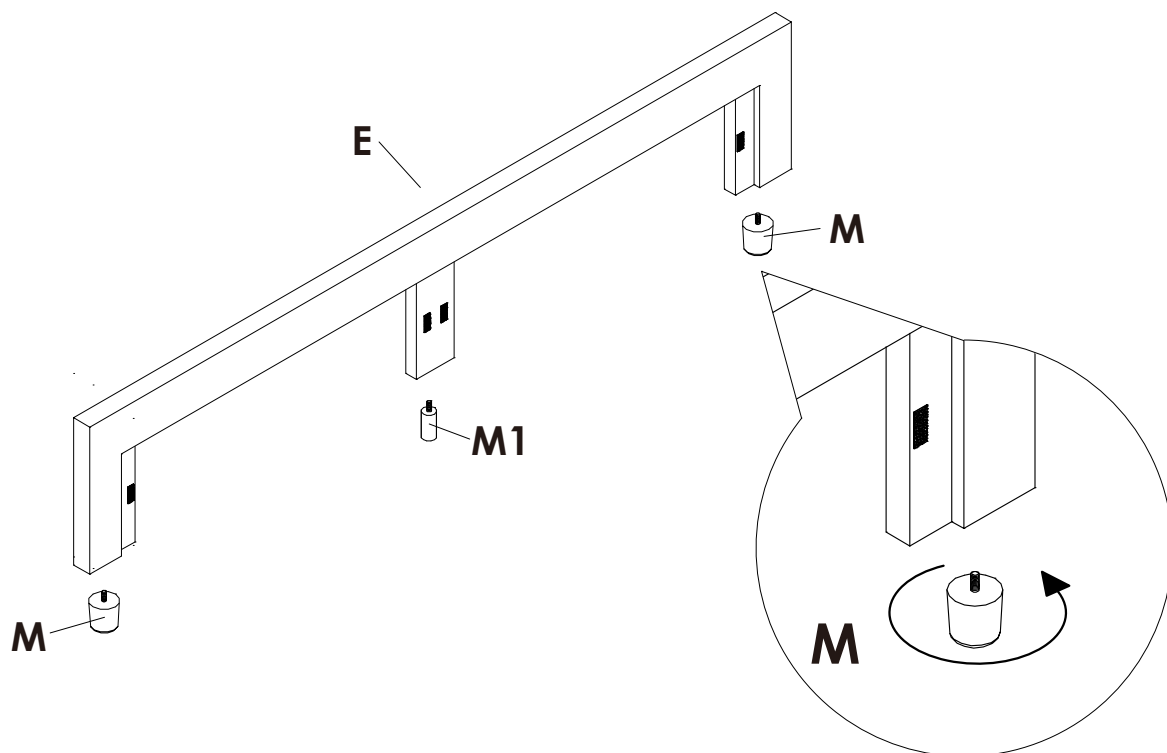
Assembly Steps(EN) / Montageschritte(DE)

STEP 1



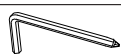
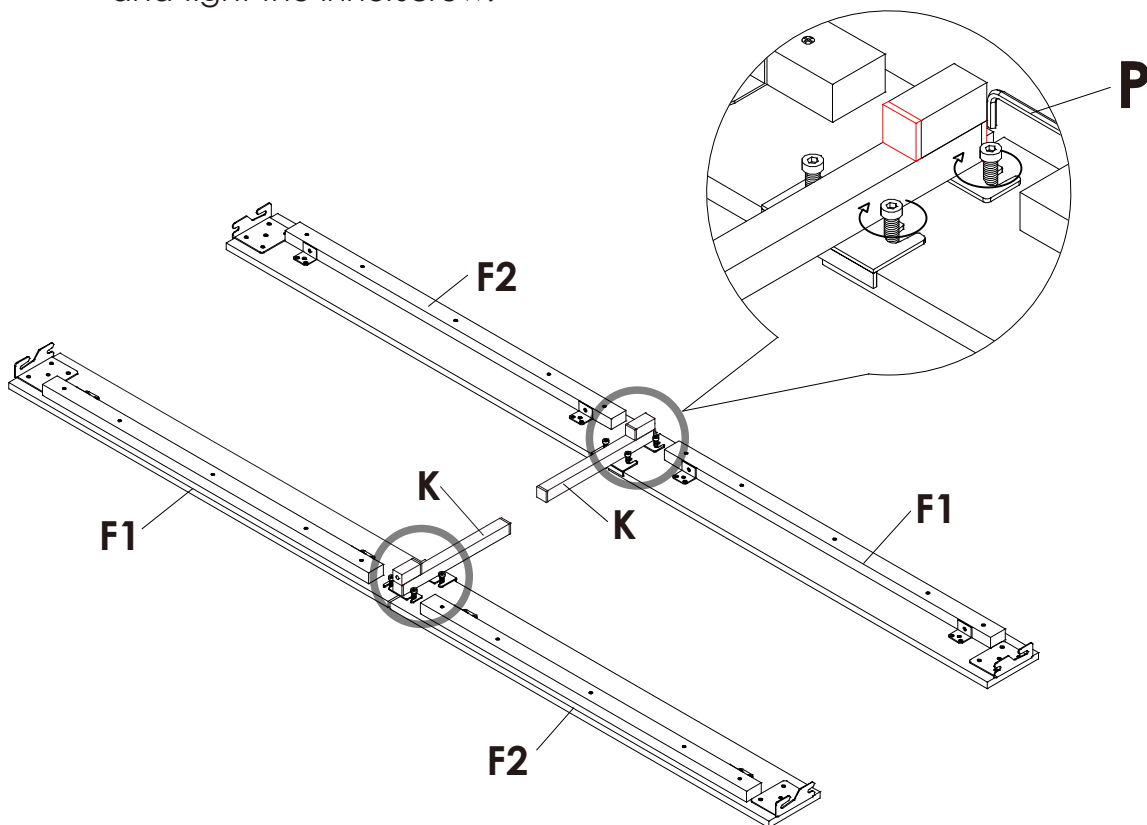
	N x 4PCS
	P x 1PC

STEP 2



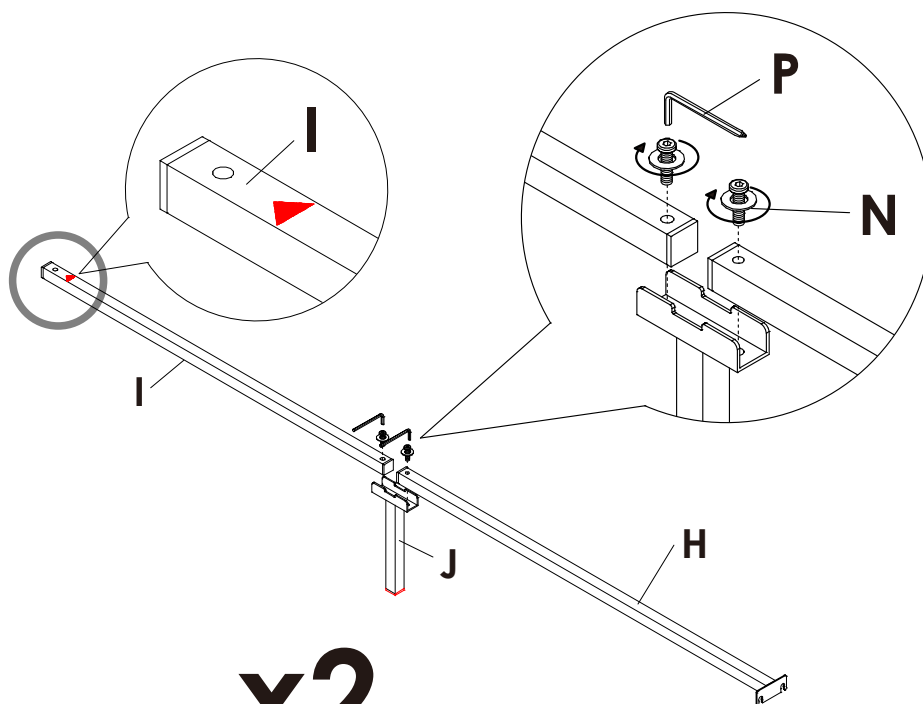
Assembly Steps(EN) / Montageschritte(DE)

STEP 3 Loosen the screw of siderails, install the edge of the foot, and tight the innerscrew.



P x 1PC

STEP 4 Noted that the middle cross beam, the direction of the red arrow is the front



x2



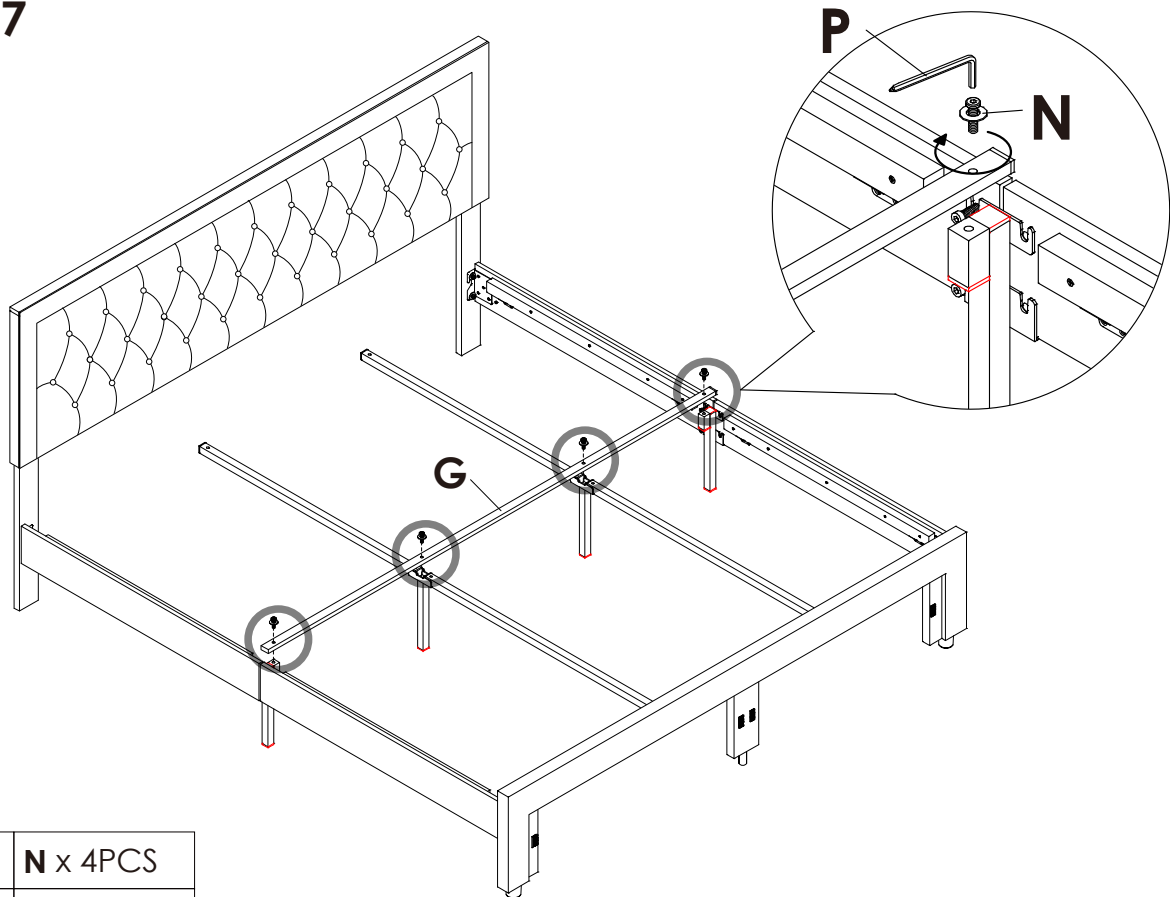
N x 4PCS





P x 1PC

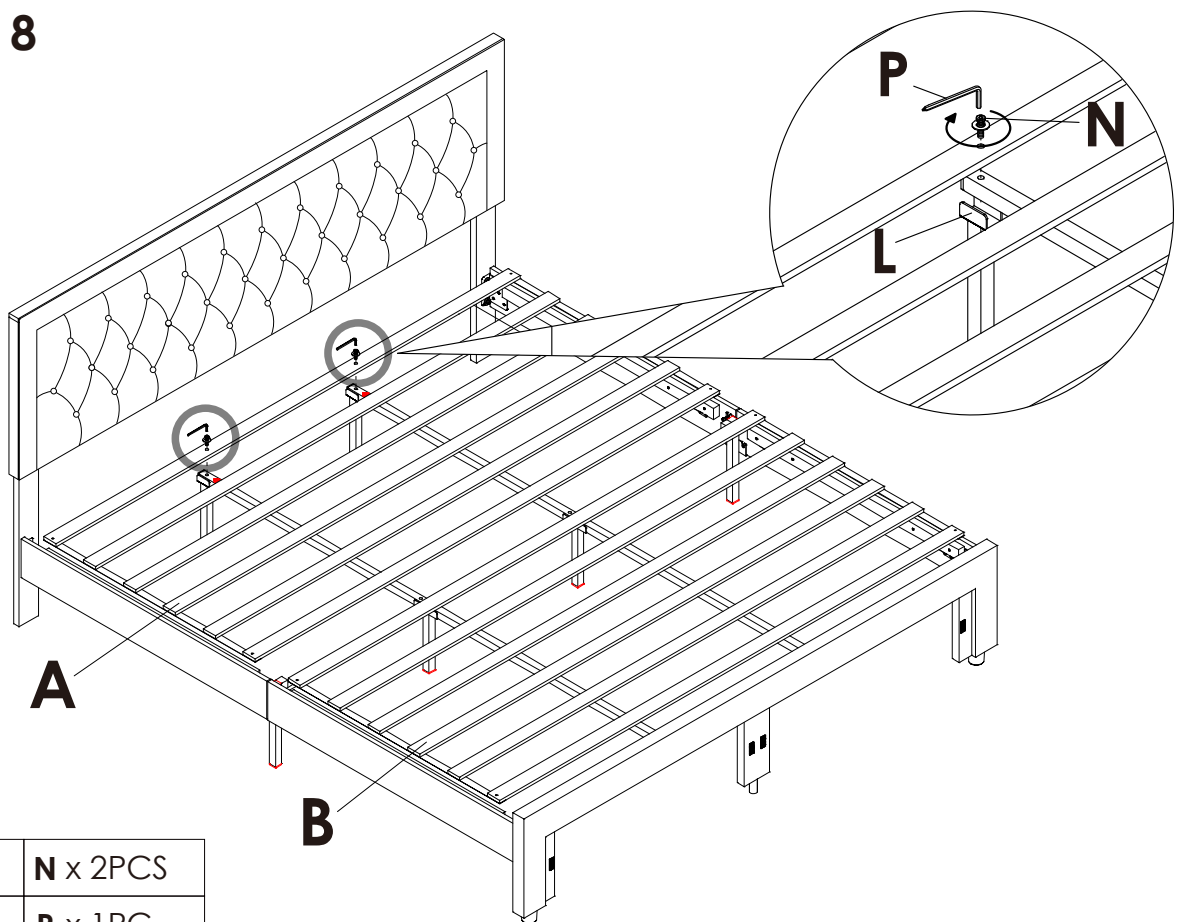
Assembly Steps(EN) / Montageschritte(DE)

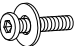

STEP 7



	N x 4PCS
	P x 1PC

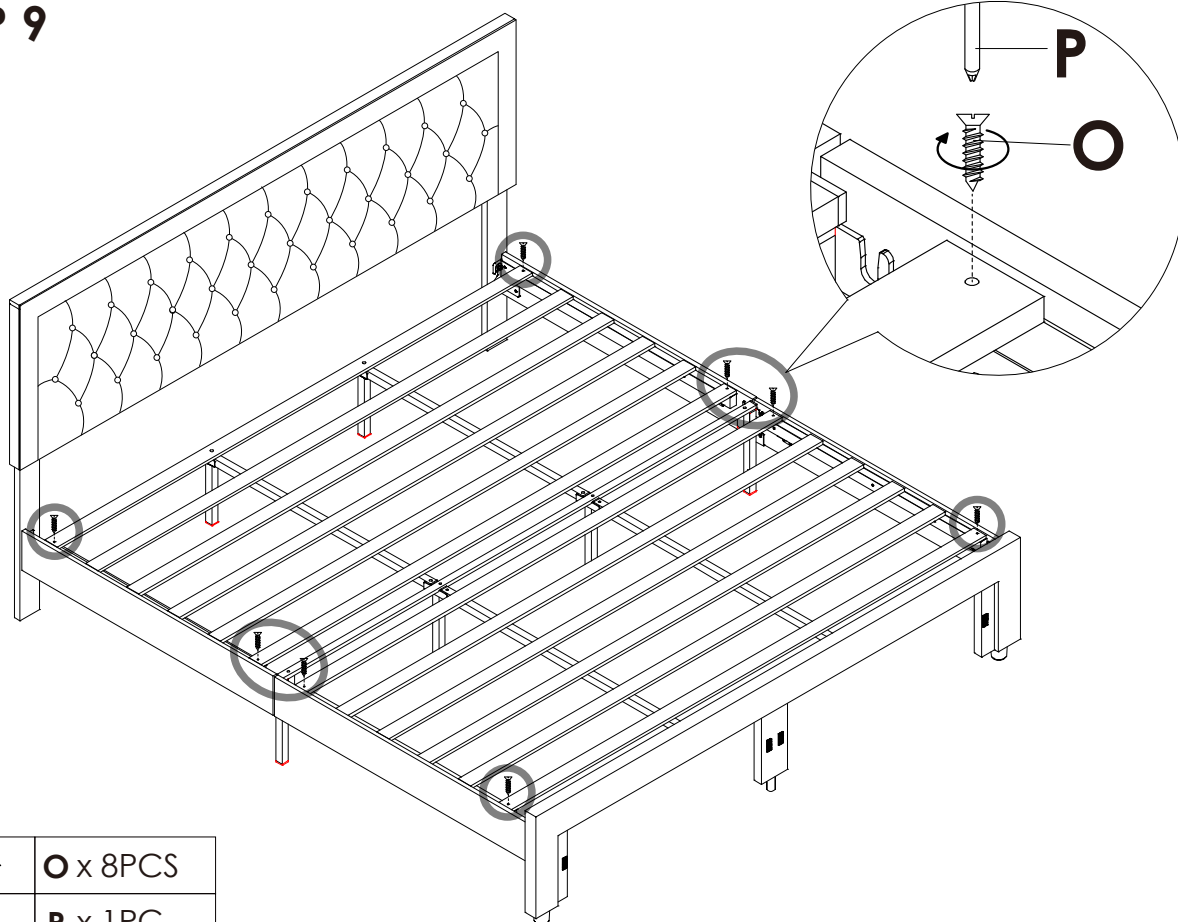
STEP 8



	N x 2PCS
	P x 1PC

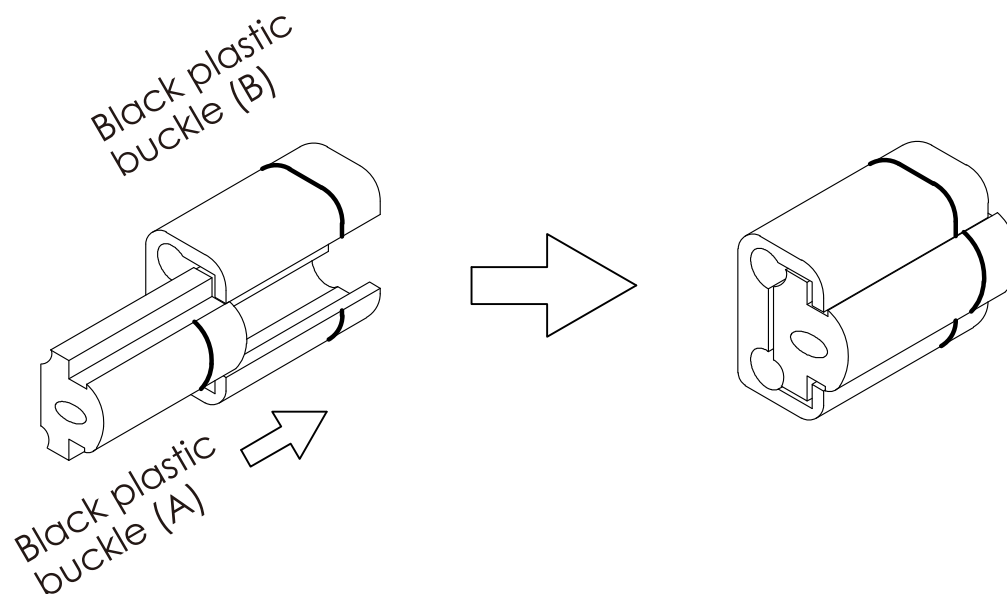
Assembly Steps(EN) / Montageschritte(DE)

STEP 9



	O x 8PCS
	P x 1PC

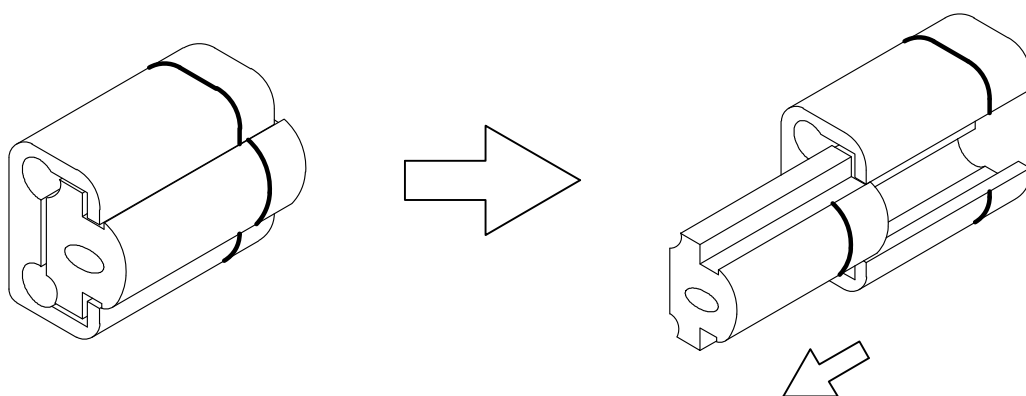
STEP 10



So This is the only direction that can be locked

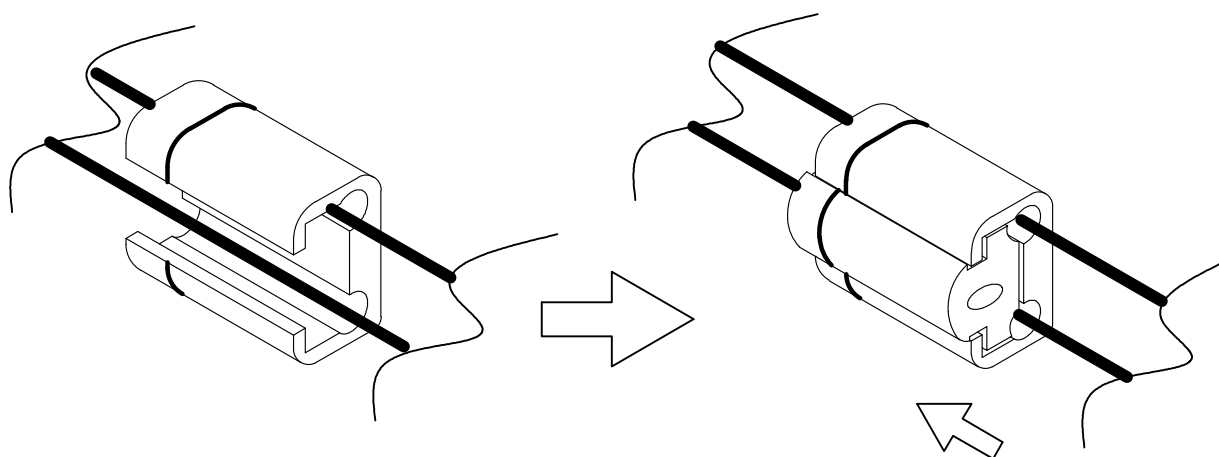
Assembly Steps(EN) / Montageschritte(DE)

STEP 11



You can pull the buckle out
by following the direction
indicated by the arrow

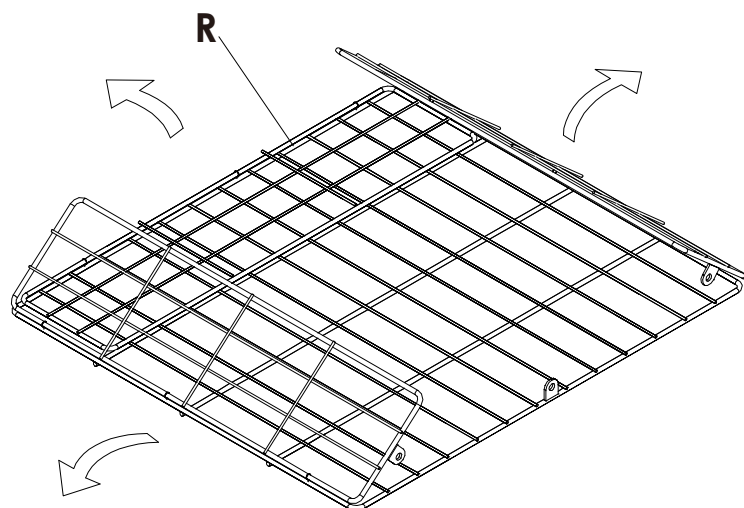
STEP 12



Place round iron tube as shown
for better drawer assembly

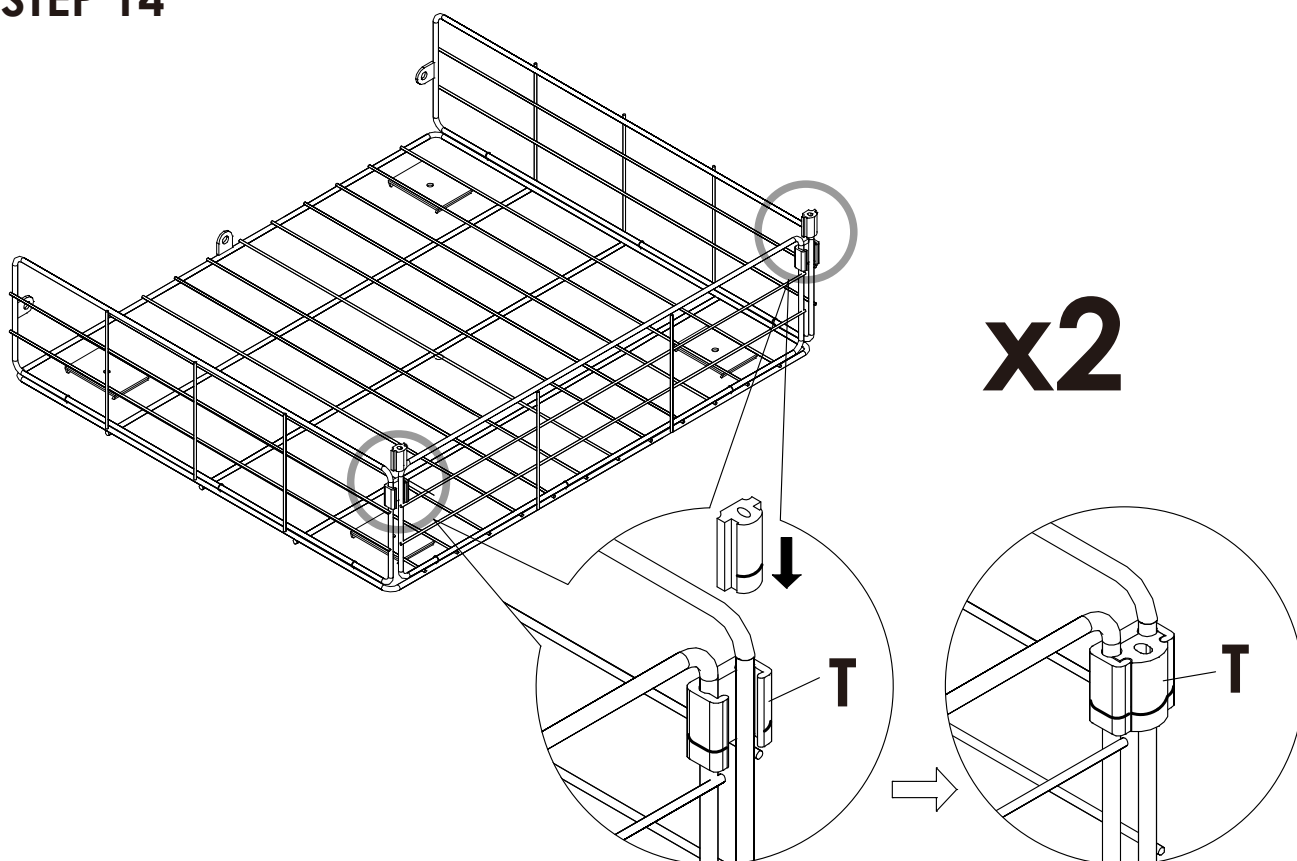
Assembly Steps(EN) / Montageschritte(DE)

STEP 13



x2

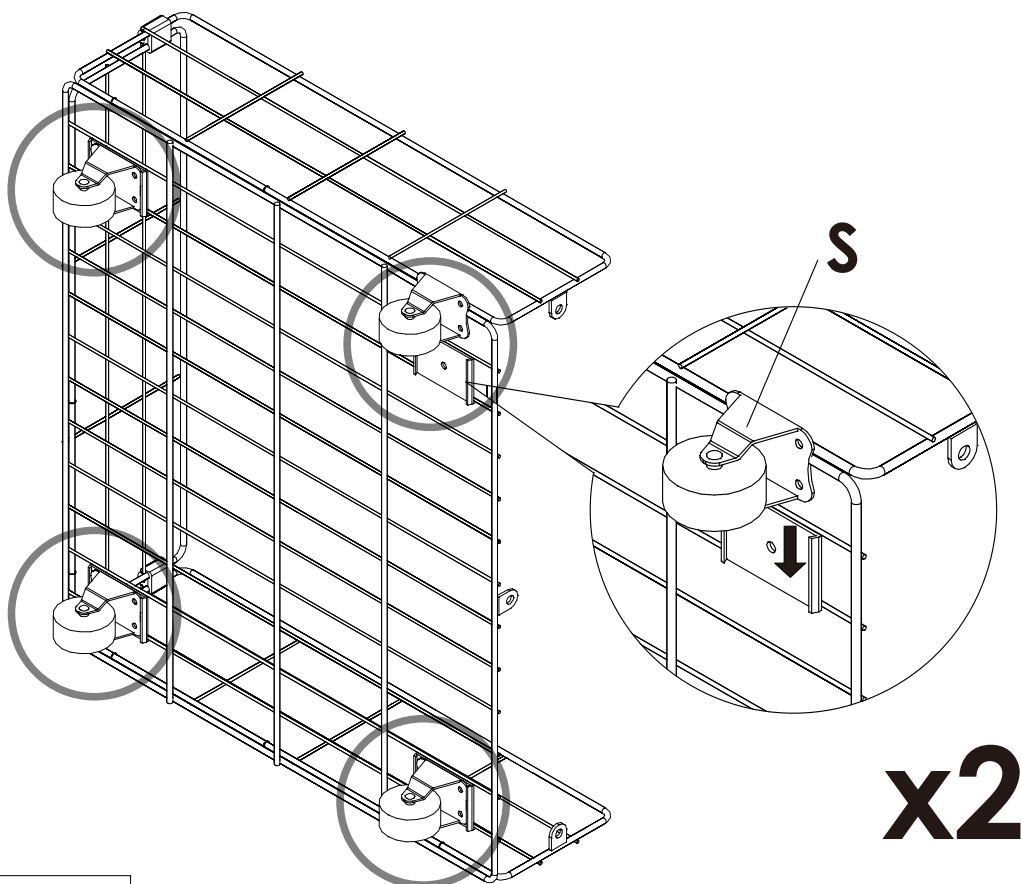
STEP 14



T x 4PCS

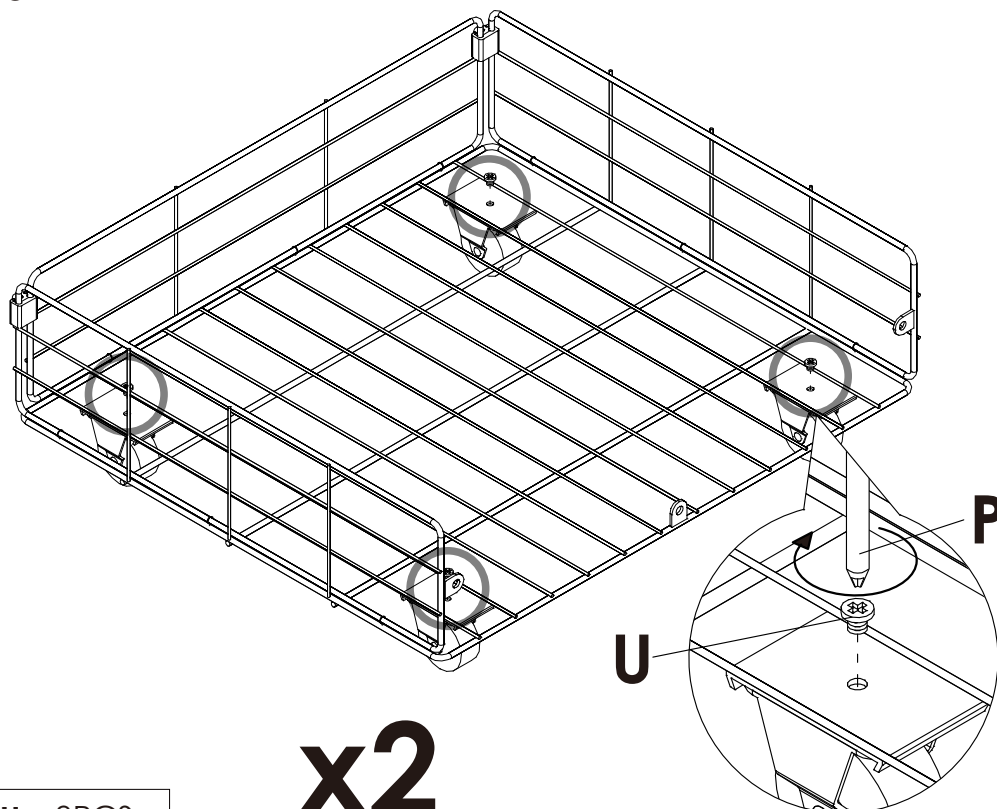
Assembly Steps(EN) / Montageschritte(DE)

STEP 15



S x 8PCS

STEP 16



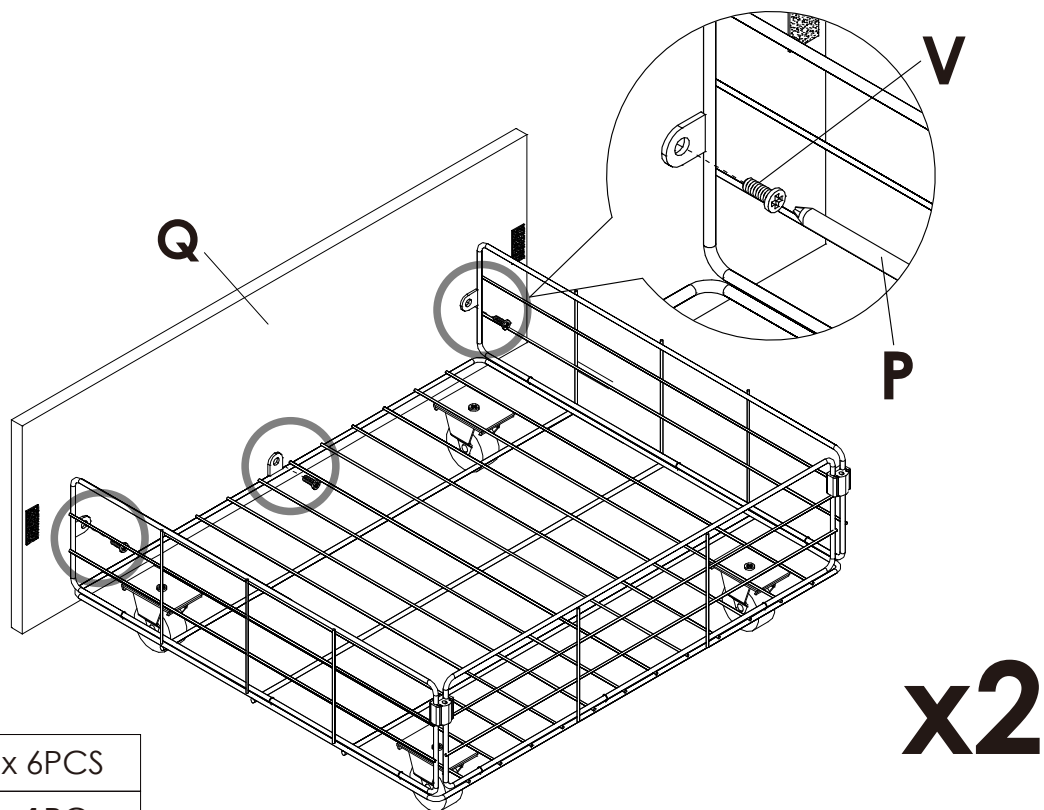
U x 8PCS



P x 1PC

Assembly Steps(EN) / Montageschritte(DE)

STEP 17



STEP 18

