

ASSEMBLY INSTRUCTIONS



Fine Furniture for every stage of life

Nighstand

REVISION 0 : 06/17/2015
REVISION 1 : 12/17/2017
REVISION 2 : 06/04/2019
REVISION 3 : 11/17/2025

PAGE 1 OF 4

ASSEMBLY INSTRUCTIONS

ASSEMBLY TIPS:

- 1 . Remove hardware from box and sort by size.
- 2 . Please check to see that all hardware and parts are present prior to start of assembly.
- 3 . Please follow attached instructions in the same sequence as numbered to assure fast & easy assembly.



WARNING !




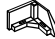

- 1 . Don't attempt to repair or modify parts that are broken or defective. Please contact the store immediately.
- 2 . This product is for home use only and not intended for commercial establishment.



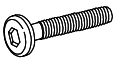



ASSEMBLY TIME

20 MINUTES

PARTS IDENTIFICATION

A	NIGHTSTAND		1PC	D	RIGHT BACK LEG (WITH BR LABEL)		1PC
B	RIGHT FRONT LEG (WITH FR LABEL)		1PC	E	LEFT BACK LEG (WITH BL LABEL)		1PC
C	LEFT FRONT LEG (WITH FL LABEL)		1PC				

HARDWARE IDENTIFICATION

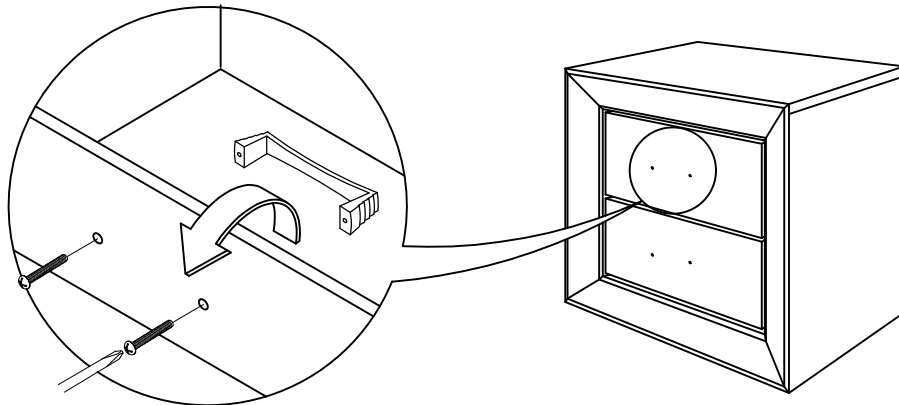
1	BOLT (M6 x 35mm - BLK)		8PCS	3	FLAT WASHER (1/4" x 20mm - BLK)		8PCS
2	LOCK WASHER (1/4" - BLK)		8PCS	4	ALLEN WRENCH (M4 x 100mm - BLK)		1PC

NOTE:

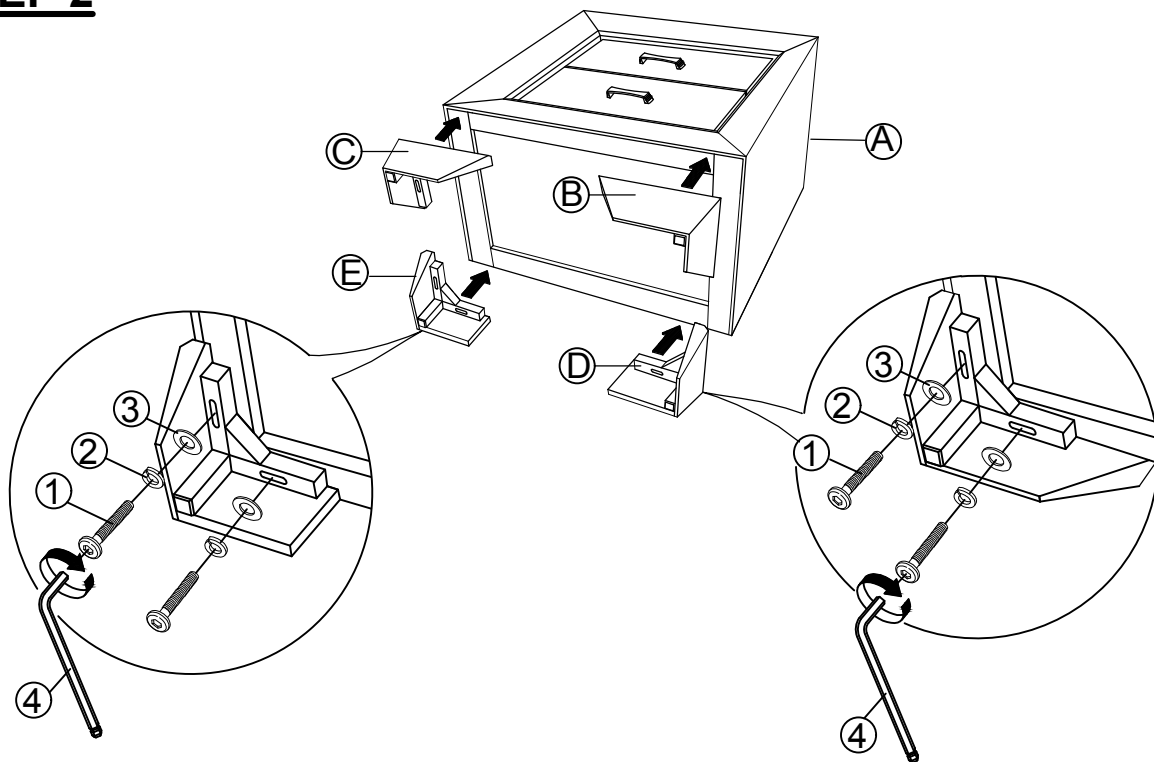
Philips head screw driver in the assembly process; however, manufacturer does not provide the item

ASSEMBLY INSTRUCTIONS

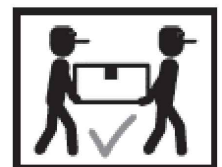
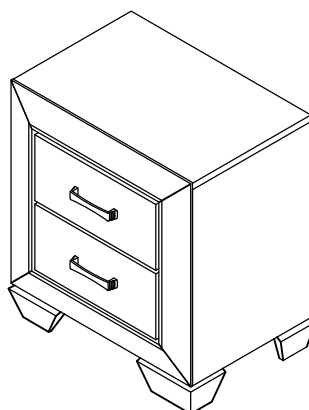
STEP 1



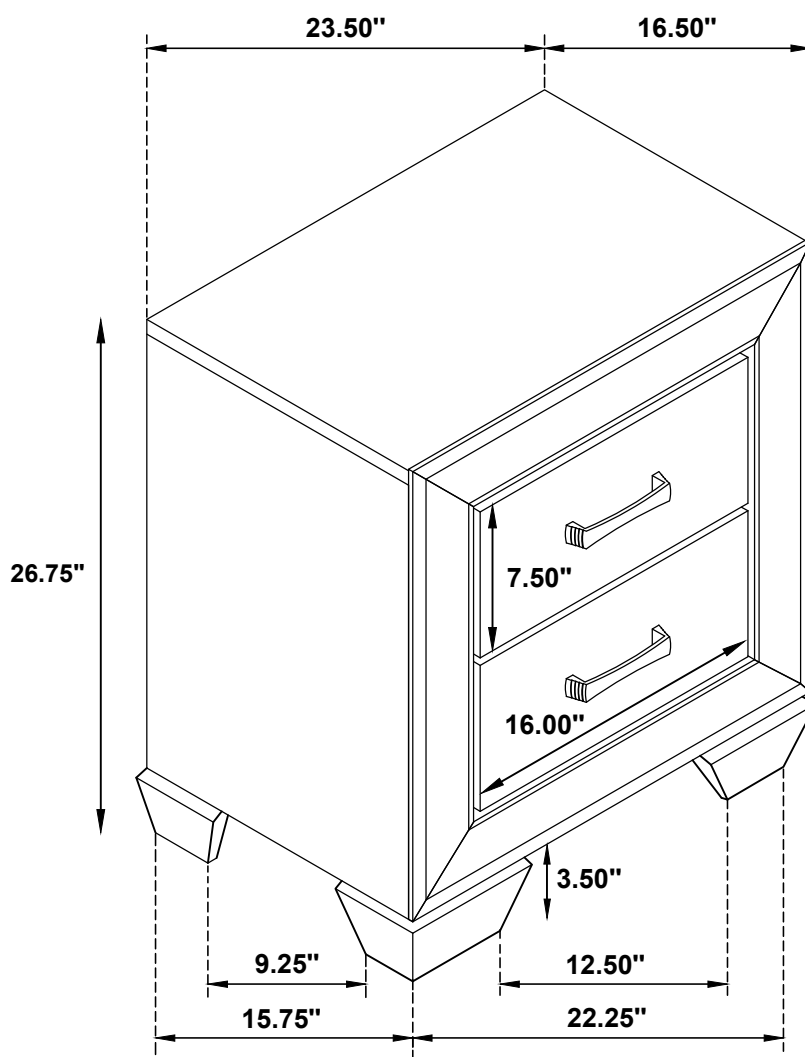
STEP 2



STEP 3 COMPLETE



Inner Size Of Drawer : 12.75"W X 12.75"D X 5.00"H X 0.25"T



Note : Dimension tolerance $\pm 5\%$