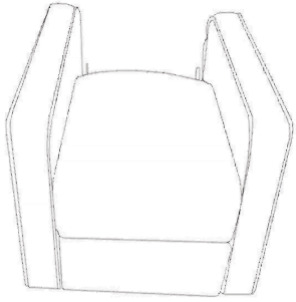
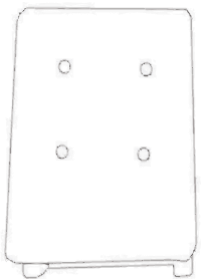


# Swivel Gliding Recliner

## Parts



A - Seat Base



B - Back Rest



C - Back (seated) Right

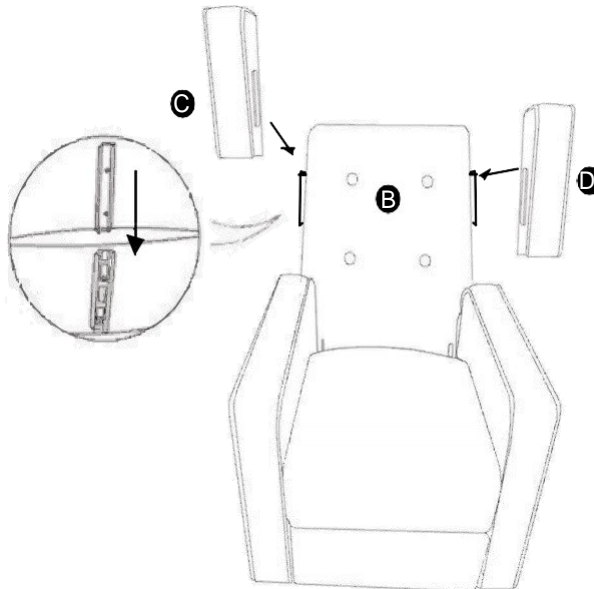
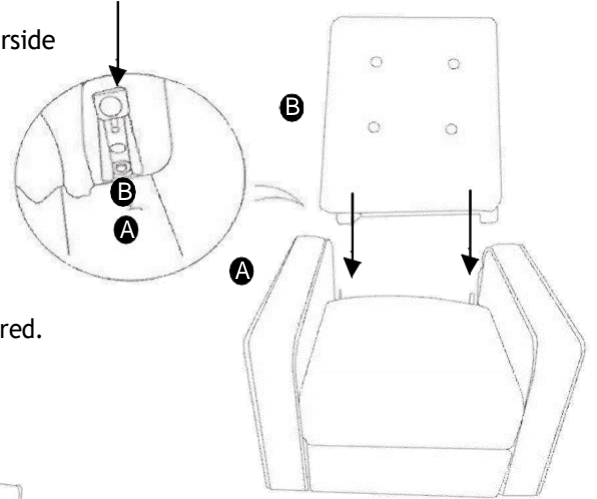


D - Back (seated) Left

## Assembly Instructions

1. Unpack A - Seat Base and turn over upside down. Remove any packing straps or materials from underside of Seat Base securing the footrest from opening.

2. Select A - Seat Base and B - Back Rest. With Backrest Buttons facing inward, carefully align backrest mounts to seatbase mounts. Insert bottom backrest mounts into Seat Base Mounts until they latch and backrest is secured to seatbase. Exercising Caution, Carefully lift upward on the backrest to confirm backrest is secured.



3. Select C - Back (seated) Right. Insert mount on C into mount on B - Back Rest (if sitting - right side, if standing facing left side).

4. Repeat for D - Back (seated) Left.

5. Congratulations! Setup of your new Swivel Gliding Recliner is complete!

Note: pull the right (seated) handle to release the footrest from the closed position.

