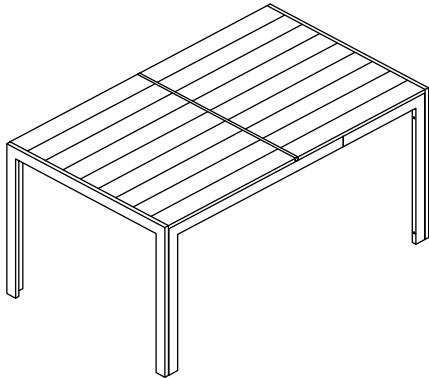


# OUTDOOR PATIO ALUMINUM POLYWOOD SLAT TABLE ASSEMBLY MANUAL



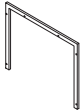
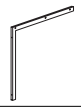


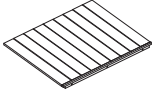
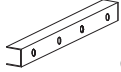

## ***Assembly Instructions***







- Prior to assembly, ensure that you lay out and identify all the parts listed in the parts list.
- Tighten all nuts and bolts securely. Hand-tighten all bolts before use. Avoid using power tools or applying excessive force during assembly and bolt tightening.
- If you encounter any difficulties during assembly or if any part is missing or damaged, please don't hesitate to contact our customer service team via email.

## ***Care and warranty***

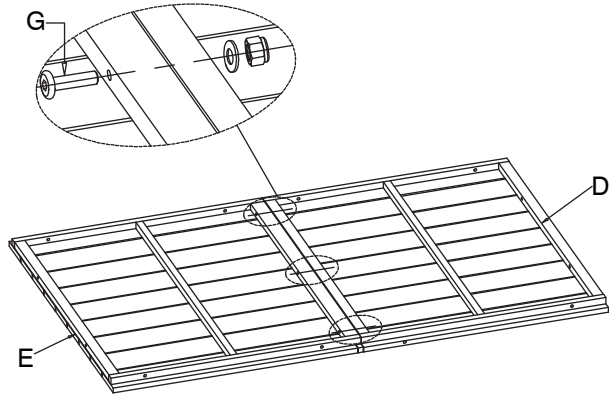
- The weight capacity of this table is 50 lbs.
- Clean the frame components with a mild soap solution, then rinse thoroughly. Avoid using bleach, acid, or any other solvents on either the fabric or frame components.
- For a comprehensive warranty policy. Be aware that warranty terms can change without prior notification.
- For the best performance and safety of your chair, inspect and tighten all bolts and fasteners regularly

# Part list

Part	Description	Qty
A	 Leg	2
B	 Leg	2
C	 Leg	2
D	 Top	1
E	 Top	1
F	 Connector	2
G	 Bolt M6*85	3

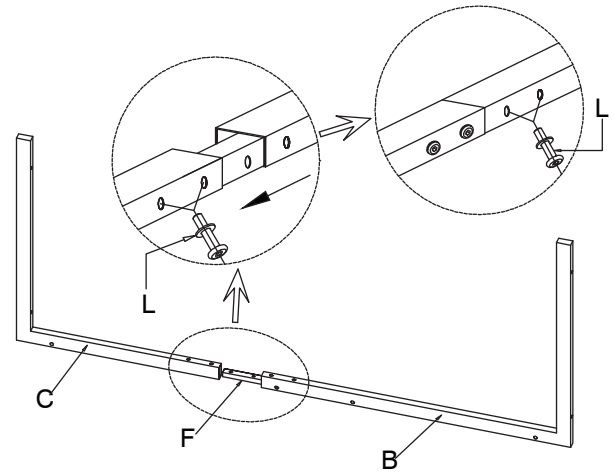
Part	Description	Qty
H	 Bolt M6*55	8
J	 Bolt M6*45	4
K	 Bolt M6*35	8
L	 Bolt M6*12	8
		1
		1

**1.** Connect part E with part D using bolt G as shown in the diagram.

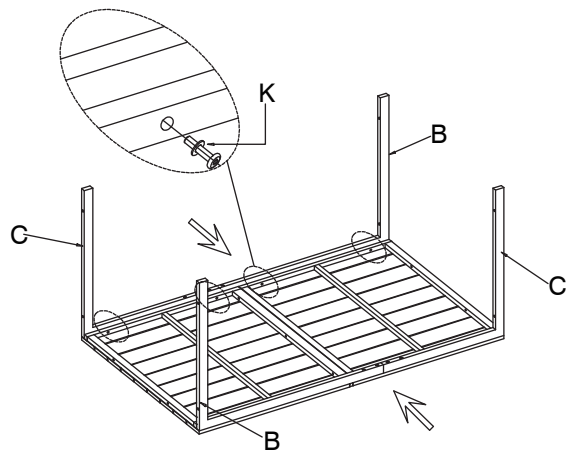


Reminder: All parts must be put on the carpet in the assembly.

**2.** Connect part C with part B using connector part F and bolt L as shown in the diagram.

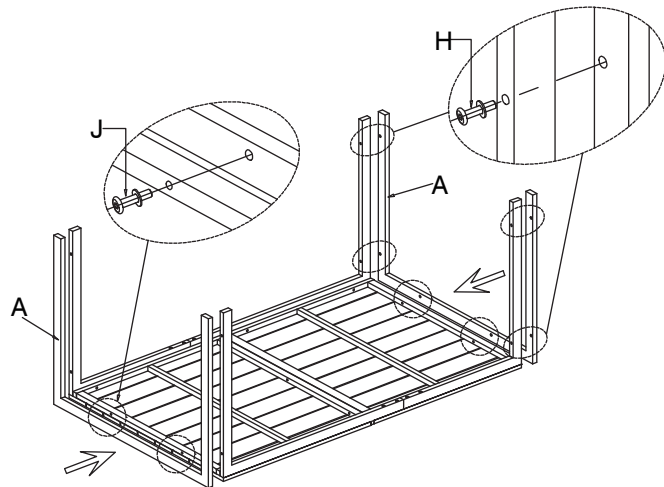


- 3.** Connect the table top (part D & E) with the table leg (part B & C) using bolt K, as illustrated in the diagram.



Reminder: All parts must be put on the carpet in the assembly.

- 4.** First connect part A with table top (part D & E) using bolt J, then connect part A with table leg (part B and C) using bolt H as shown in diagram.



**5.** Make sure to check that all bolts are securely tightened before using.

