

**1G DIMMER / LED /
LINEAR / WITH
LOGO**

ACTION: DIMMER SWITCH

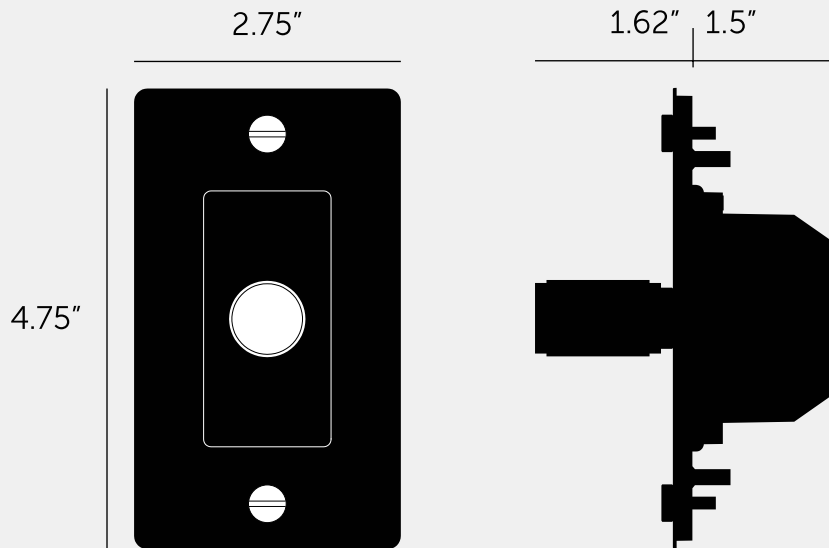
KNURL: LINEAR

RANGE: DIMMER SWITCHES

A solid metal dimmer switch with a diamond-cut or linear knurled knob to feel amazing with every touch. The dimmer is finished with a flat plate and our signature solid metal coin or torx screws.

Available in five different finishes. You can also team them up with our toggle switches, duplex and USB outlets in matching finishes.





SPECIFICATIONS

Our Metal Electricity range has solid stainless steel plates, in our signature white, steel, brass, smoked bronze and black finishes.

Module: NDM-01385 (BP-VR600US)

LED Dimmer Module

Style: Push ON/OFF Rotary Dimmer with 3 way switching

Input: 100 - 120V AC 60 HZ

Dimming Type: Leading Edge

Load: 600W max. HAL / INC - 150W max LED

Operating Temperature: 0° - 35°C / 32° - 89.6°F

Humidity: 10 - 90% R.H.

Certifications: cETLus 5008883

INCLUDED

1 x 1G Wall Plate
1 x LED Dimmer Module
1 x 1G Dimmer Detail Kit

FINISH & SKU NUMBERS

sku:	finish:	size:
NDR-024051	● black	1G
NDR-054052	● brass	1G
NDR-454053	● smoked bronze	1G
NDR-074054	● steel	1G
NDR-144055	● white	1G

PLEASE NOTE

DISCLAIMER: Always consult a trade professional when installing this product. Buster + Punch is not responsible for the usage or feasibility of installation requirements. This product is not suitable for damp or wet environments.

CARE INSTRUCTIONS

Wipe with a dry lint free cloth with no loose hairs, avoid using any chemicals. Please note that finishes may age naturally with time and regular use.