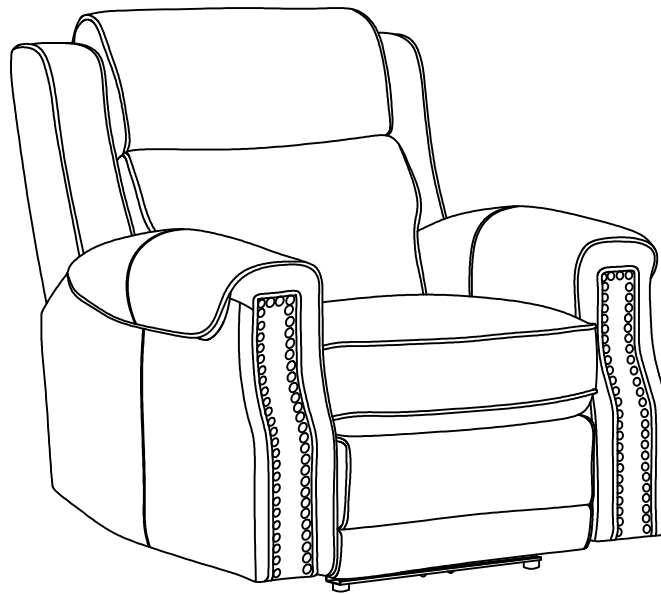


**MODEL : HENSLEY MHEN#812PH**

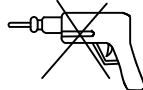
**ASSEMBLY INSTRUCTIONS  
NOTICE DE MONTAGE**

**\* Please keep these instructions and have the product model # and part # available when requesting a service.**



**IMPORTANT NOTE**

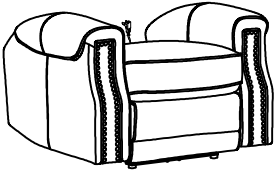
**Do not use a power tool to assemble this product as it could damage the thread of the hardware and affect the solidity/durability of the product.**



**MADE IN VIET NAM**

**Page 1 of 3**

**A x 1**



**B x 1**



**C x 1**

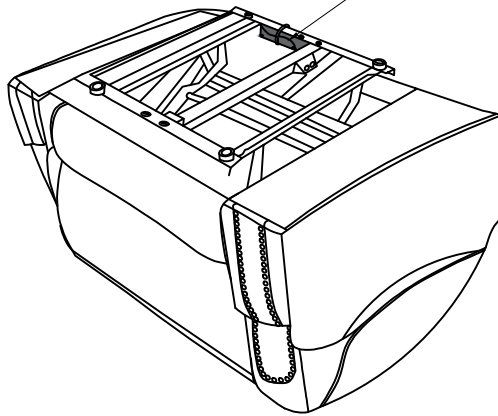


**D x 1**

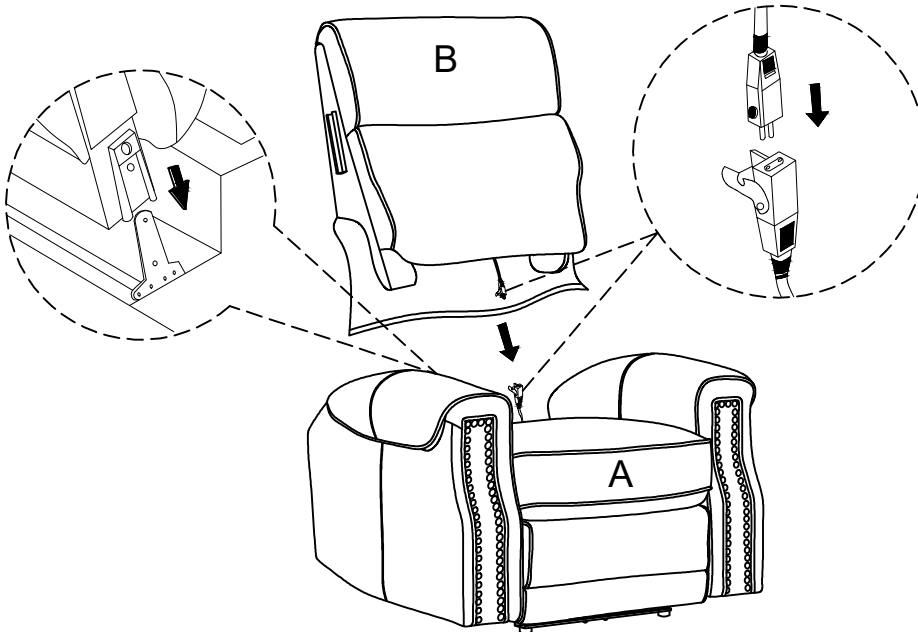


**STEP 1**

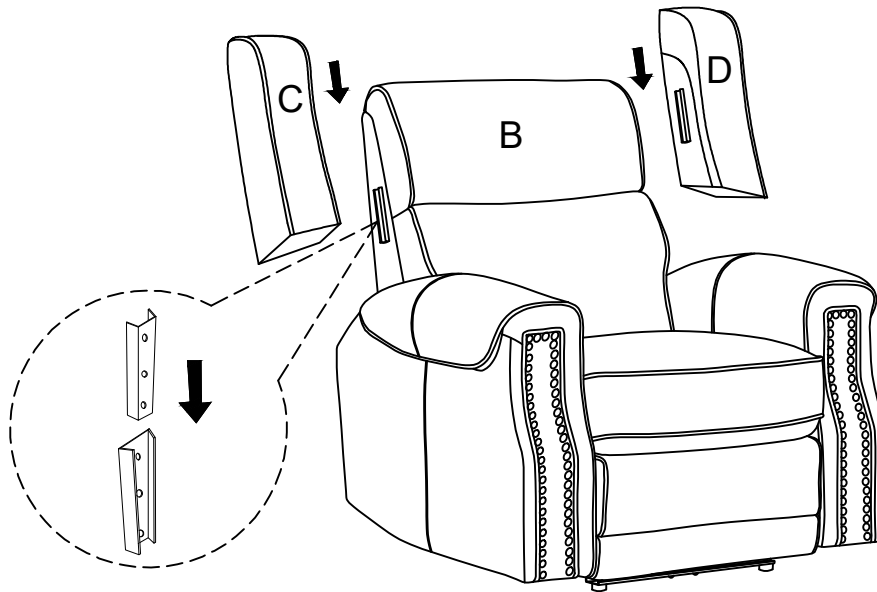
Power cord attach



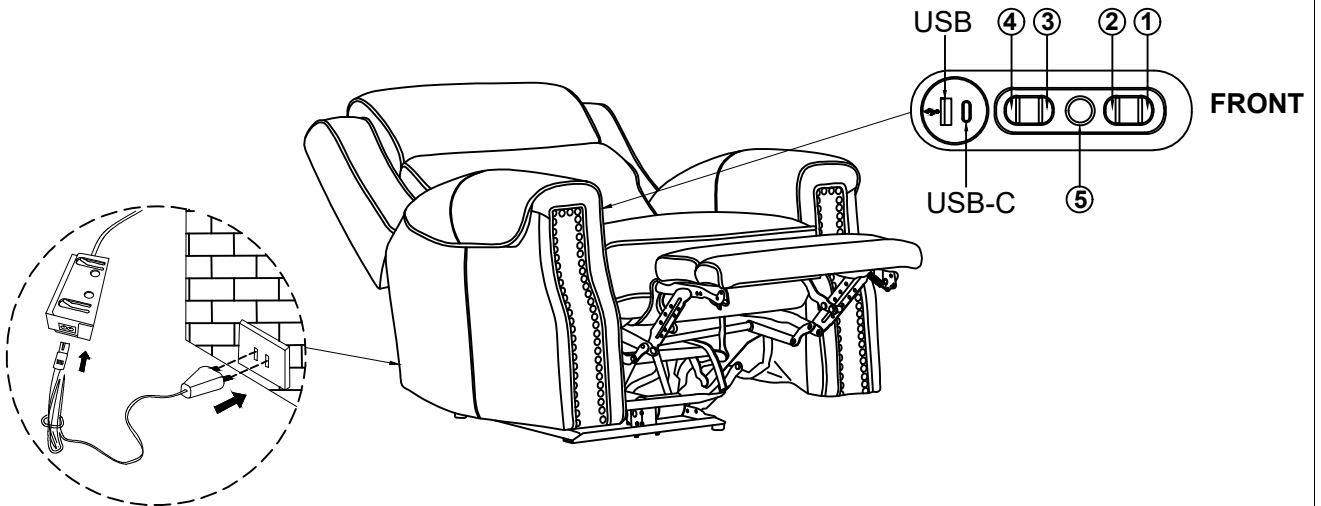
**STEP 2**



### STEP 3



### STEP 4

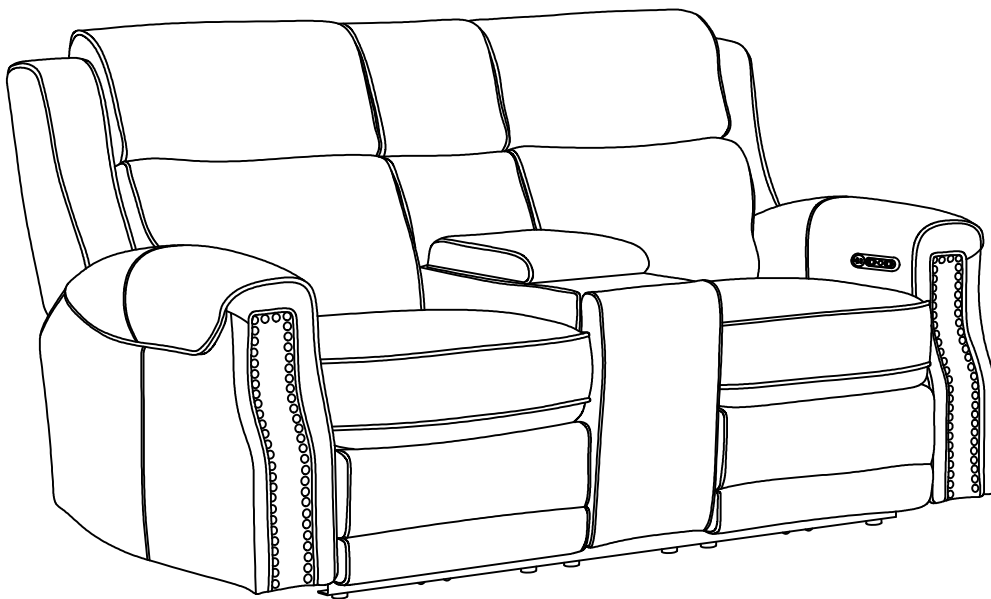


1. Press button **1** Leg Rest Open.
2. Press button **2** Leg Rest Close.
3. Press button **3** Headrest Forward.
4. Press button **4** Headrest Back.
5. Home button **5** All Close.

**MODEL : HENSLEY MHEN#822CPHT**

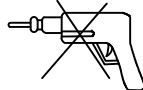
**ASSEMBLY INSTRUCTIONS  
NOTICE DE MONTAGE**

**\* Please keep these instructions and have the product model # and part # available when requesting a service.**



**IMPORTANT NOTE**

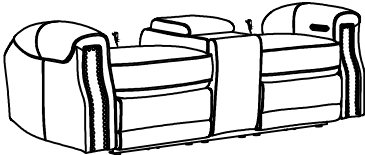
**Do not use a power tool to assemble this product as it could damage the thread of the hardware and affect the solidity/durability of the product.**



**MADE IN VIET NAM**

**Page 1 of 4**

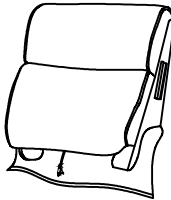
**A x 1**



**B x 1**



**C x 1**



**D x 1**



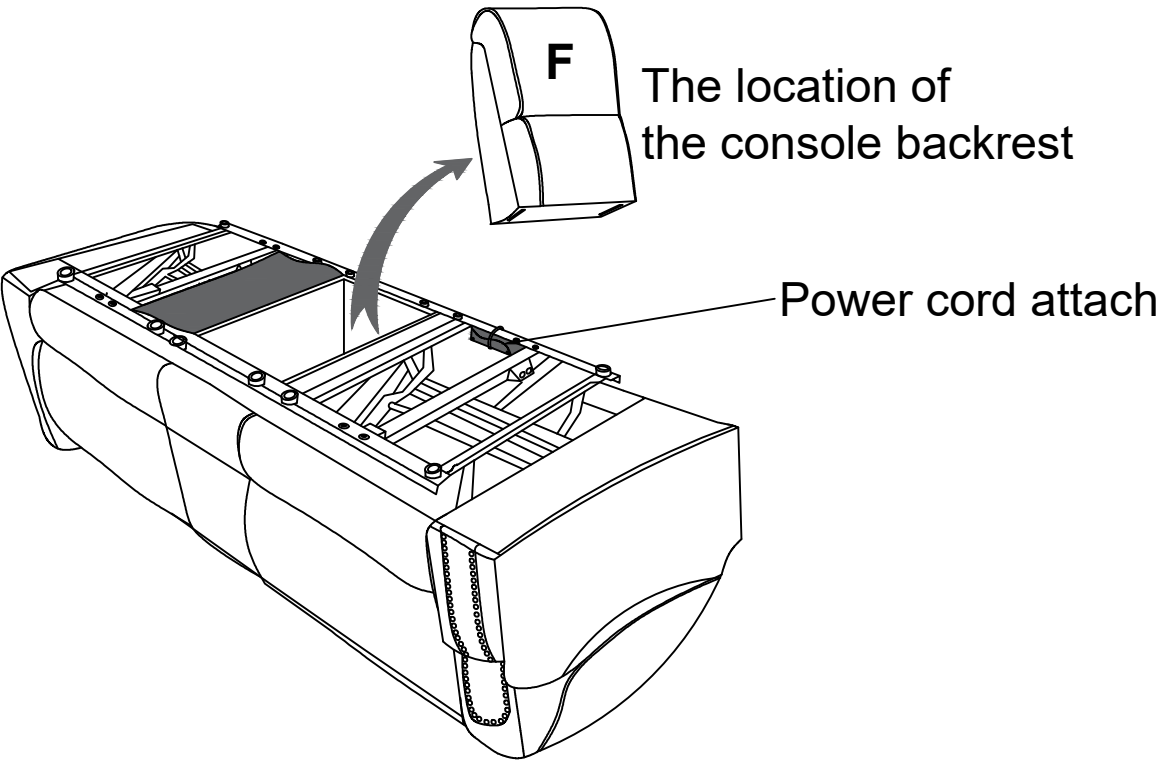
**E x 1**



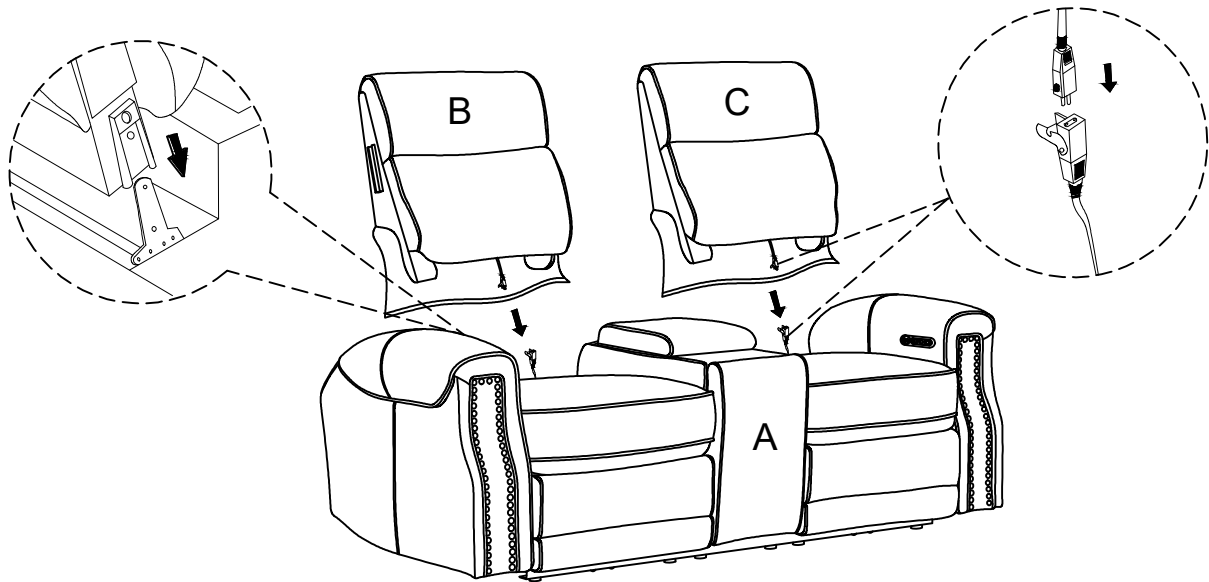
**F x 1**



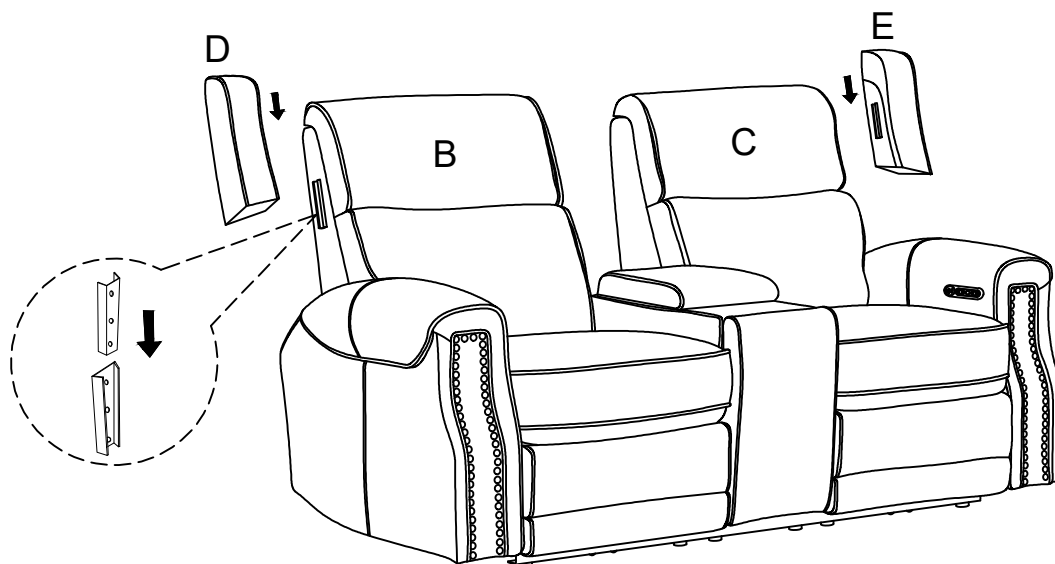
**STEP 1**



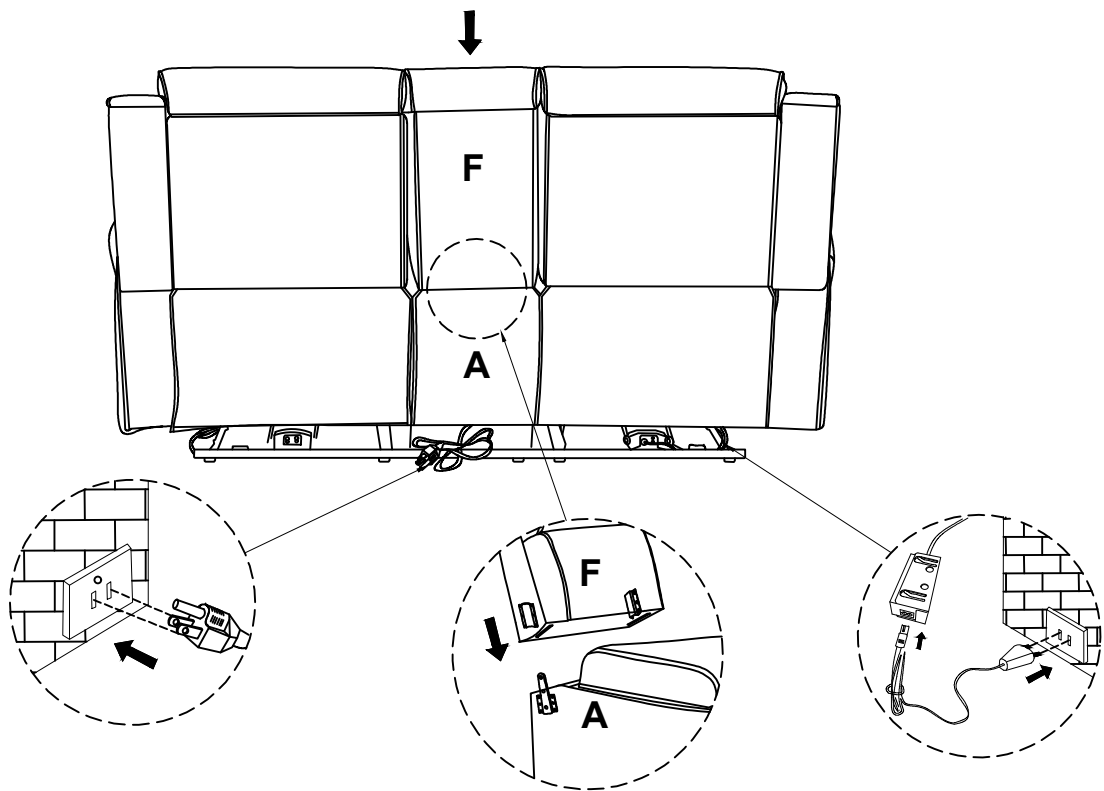
**STEP 2**



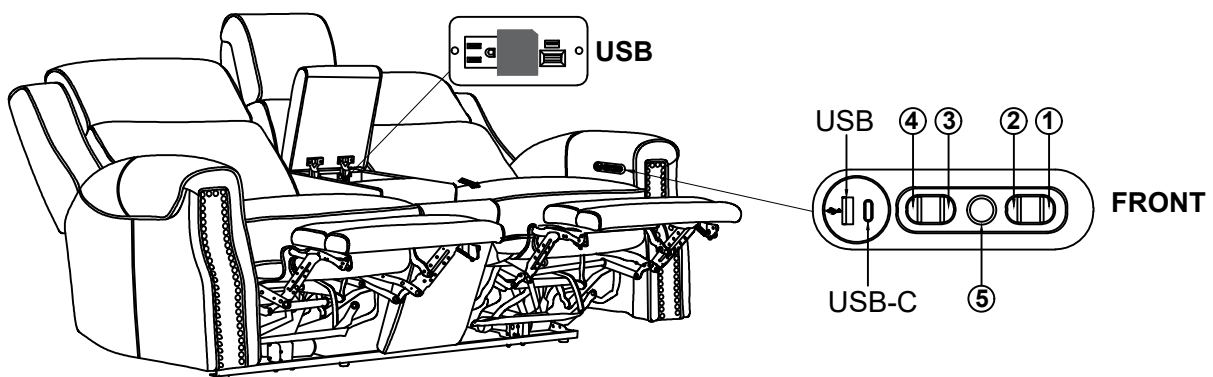
**STEP 3**



## STEP 4



## STEP 5

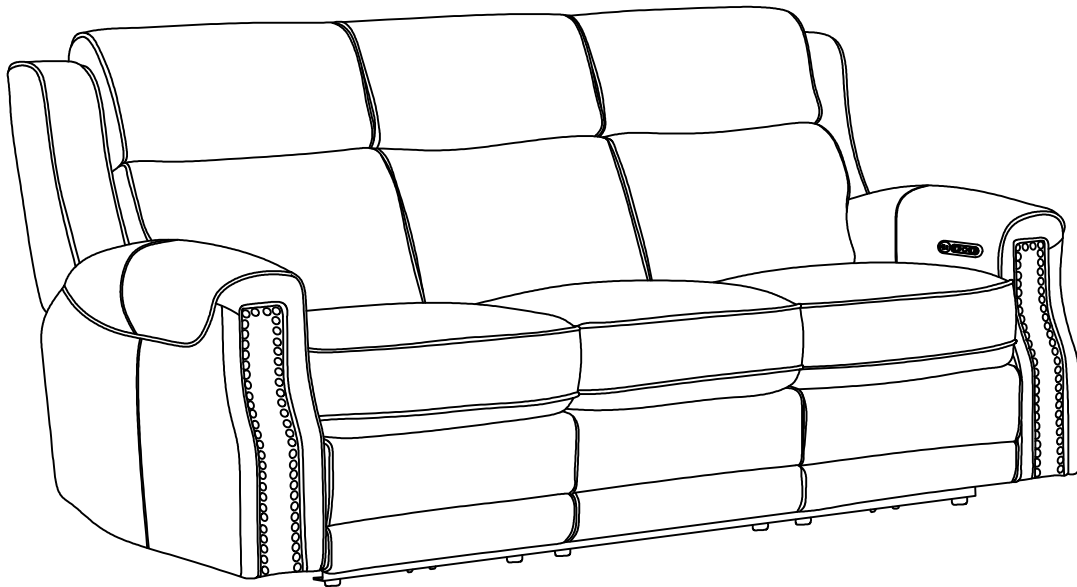


- 1. Press button **1** Leg Rest Open.
- 2. Press button **2** Leg Rest Close.
- 3. Press button **3** Headrest Forward.
- 4. Press button **4** Headrest Back.
- 5. Home button **5** All Close.

**MODEL : HENSLEY MHEN#832PH**

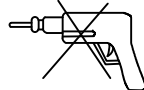
**ASSEMBLY INSTRUCTIONS  
NOTICE DE MONTAGE**

**\* Please keep these instructions and have the product model # and part # available when requesting a service.**



**IMPORTANT NOTE**

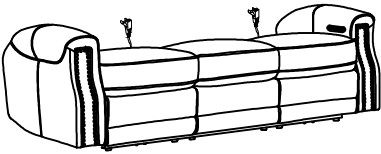
**Do not use a power tool to assemble this product as it could damage the thread of the hardware and affect the solidity/durability of the product.**



**MADE IN VIET NAM**

**Page 1 of 3**

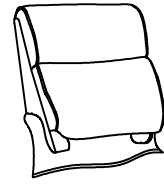
**A x 1**



**B x 1**



**C x 1**



**D x 1**



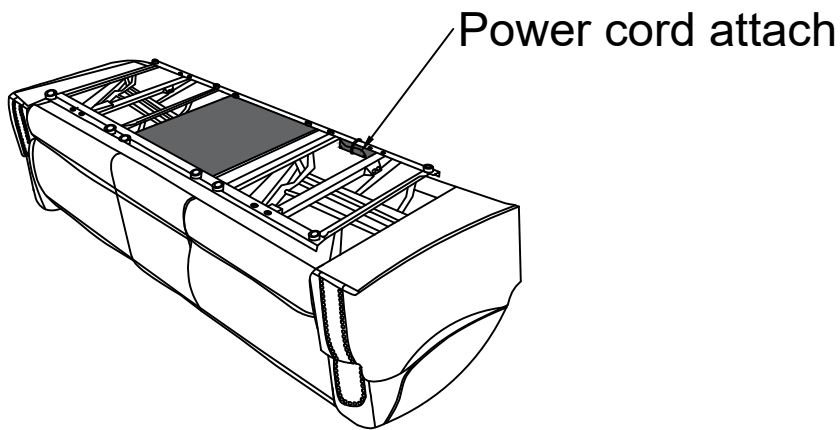
**E x 1**



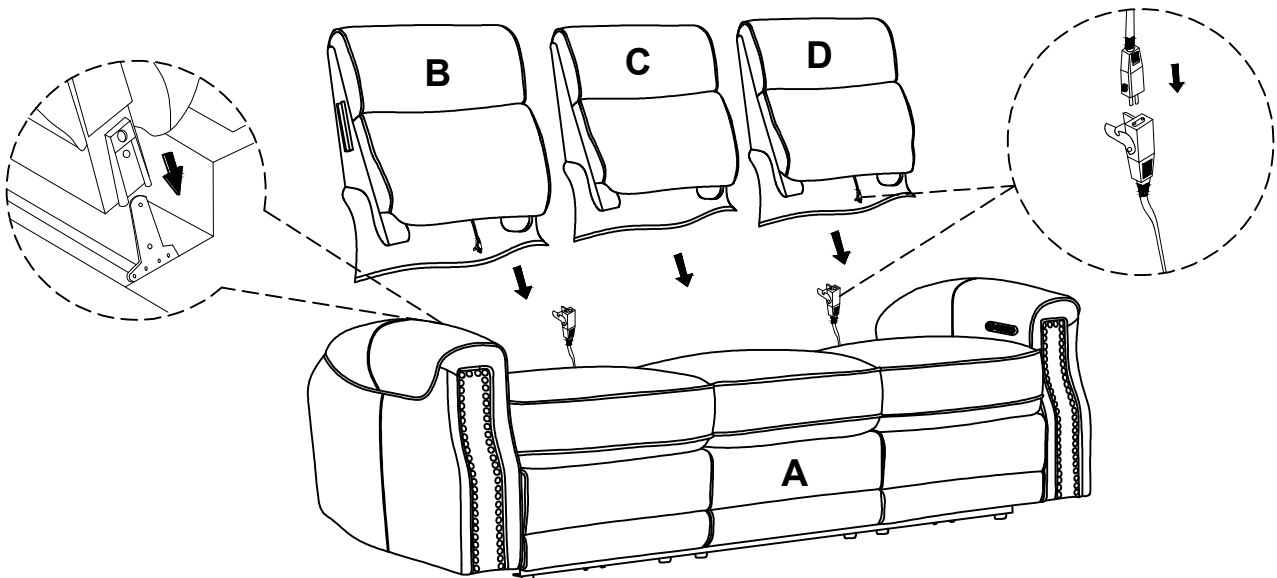
**F x 1**



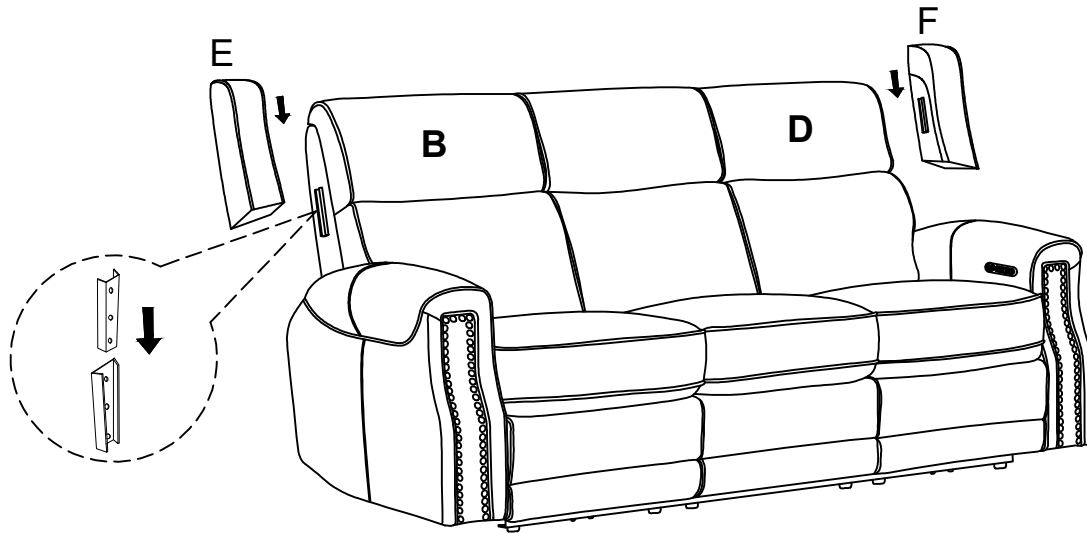
**STEP 1**



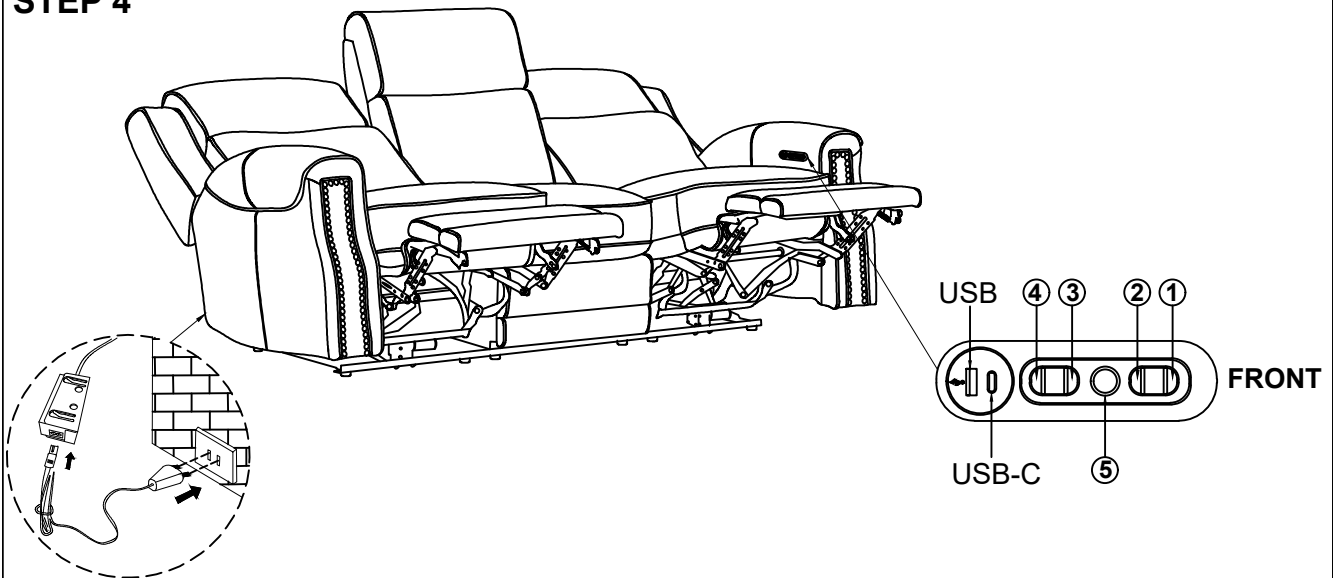
**STEP 2**



### STEP 3



### STEP 4



- 1. Press button **1** Leg Rest Open.
- 2. Press button **2** Leg Rest Close.
- 3. Press button **3** Headrest Forward.
- 4. Press button **4** Headrest Back.
- 5. Home button **5** All Close.