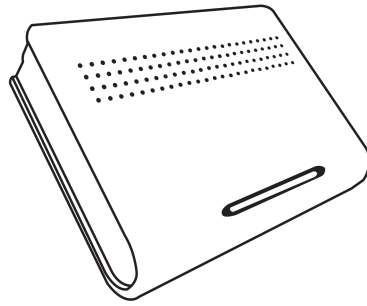




System Installation Manual LSA-02-02



Introduction

The Smart Access system lets you control a series of locks via your smartphone or computer using Bluetooth and Wi-Fi (WiFi coming soon. Please register your device and sign up for email notifications so we can let you know when that feature is available).

This manual will cover how to set up your system, from electrical connections to installation on furniture.

Note: It is recommended to set up the system on a work surface before installing in a cabinet or drawer. Download the app, register at least two fingerprints and test the system with the app and finger-touch sensor. When you are comfortable with the operation and you are familiar with it proceed to installation.

Electrical connections

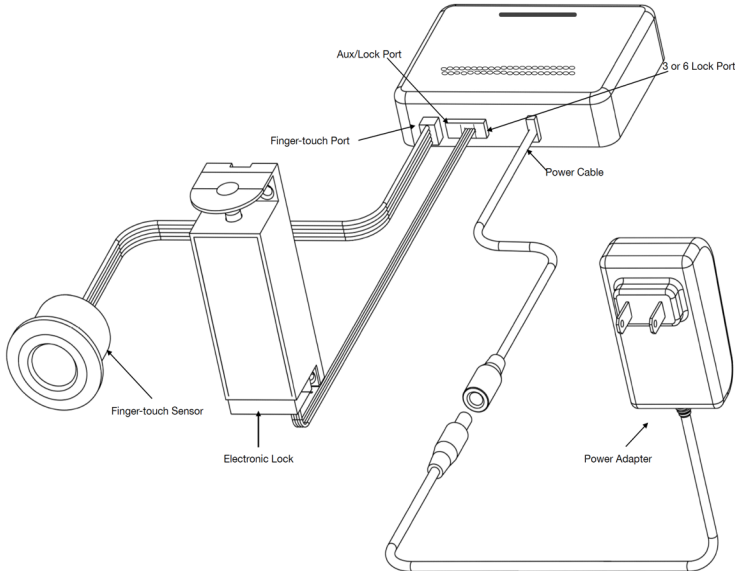
The first step to using your new Smart Access device is to connect the external peripherals as shown below. Each connection has its own specially shaped connector.

The first 4-pin connection (to the right of the finger-touch sensor) can be utilized for an accessory (Aux/Lock Port) such as a light or an additional lock controlled independently through the app. The other 4-pin connections are intended for locks. However, all 4-pin connectors can be used interchangeably for either an accessory or a lock without restriction (Currently all 4-pin connectors are controlled through the finger-touch sensor).

Connect Finger-touch sensor and locks to the electronic controller. If you do not intend to utilize all lock ports leave the spare connectors plugged in to the controller to protect the pin ports from damage and dust.

Make sure everything is properly connected before plugging in the power adapter to an outlet.

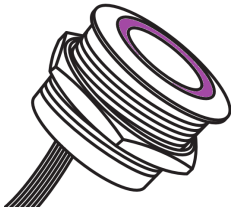
The Finger-touch sensor must be connected to the electronic controller prior to connecting the power adapter to an outlet.



Verifying Power

A blue light will shine from the electronic controller case immediately after power is applied from the power supply. 8 seconds later the finger-touch sensor will quickly flash purple, indicating the system is operating normally.

Note: The finger-touch sensor is required to do a full password reset so it is recommended to store at least two fingerprints during the initial setup. For security reasons only the first three fingerprints recorded have access to do a password reset.

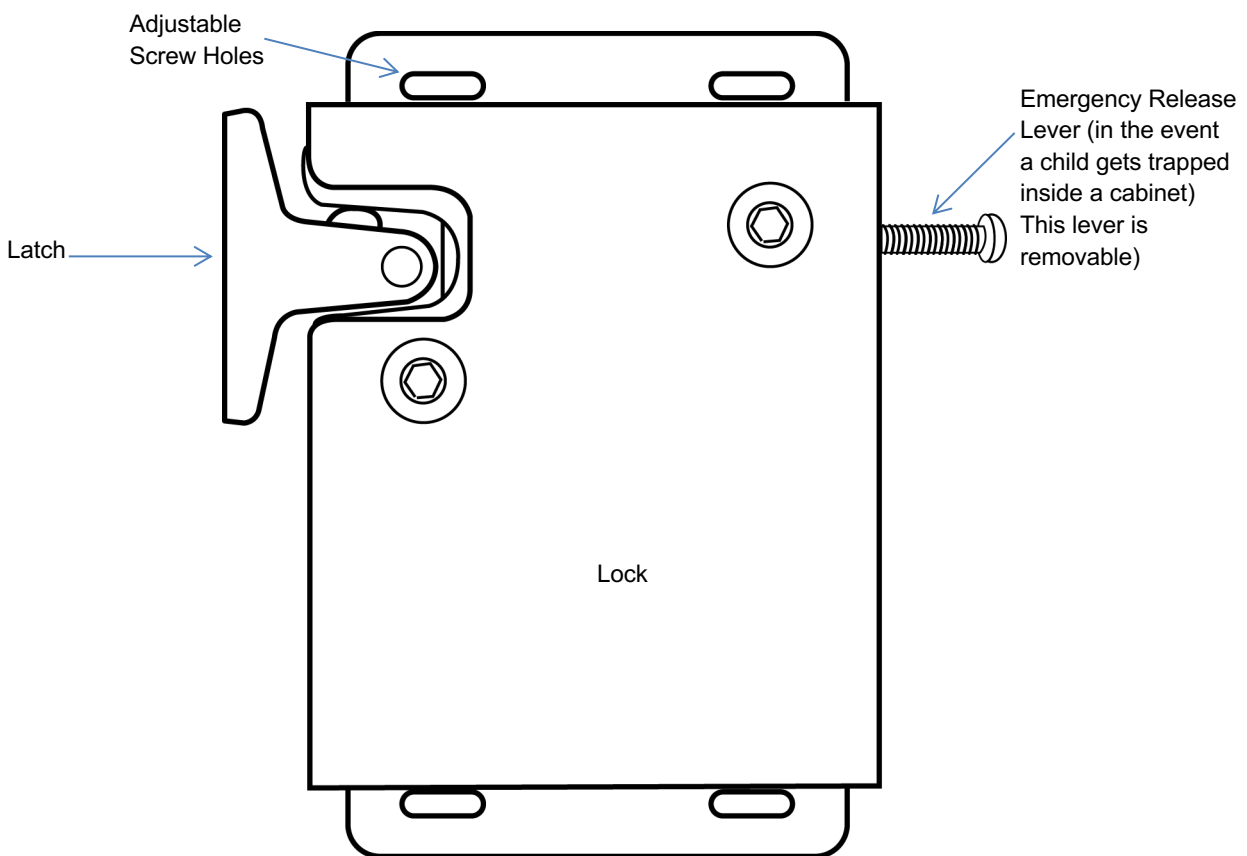


Installation on Furniture

The system can be installed on all types of furniture with doors or drawers that are in close proximity to a power outlet.

For metal, please make sure you are installing the appropriate Electronic Controller Model with the external antenna designed for metal furniture and cabinetry or install the Electronic Controller externally. Metal interferes with Bluetooth and WiFi signals.

Note: It is recommended to have a professional install the Smart Access System.



1. Identify the location where the electronic controller will be installed and mount it.
2. Measure the length of the wire needed to go from the finger-touch sensor location to the electronic controller. The standard wire length for finger-touch sensor is 36". If longer wire is required you can purchase an extension cable from our website.
3. Identify the location where you want to install the biometric finger-touch sensor.
4. Drill a pilot hole with a 3/16 or 5mm drill bit then use a 25mm drill bit to install the finger-touch sensor. Depending on the material thickness it may be required to drill a flat bottom hole from the back of the wall or inside of the cabinet to secure the Finger-touch

sensor with the nut. For those cases, use a flat bottom hole drill bit of approx. 35mm in order to put the nut on the finger-touch sensor to hold it secure and in place.

5. Identify the location where locks will be installed and measure the distance of the locks to the electronic controller. The standard wire length for the locks is 6 ft. You may use the provided double sided sticky tapes to position the latch.
6. Use 3M adhesive cable clips to rout the wire along the walls. (We recommend using the screws provided with the cable clips, over time adhesive tape may come off).
7. When possible, drill a small hole to allow the power cord to exit the cabinet to be externally connected to the power adapter.

Note: It is recommended to allow access to power cord so that in the event there is a power outage the electronic controller can receive power using the USB cable provided and an external cell phone power bank.

8. Plug the power adapter to the wall and test the system with both the app and the finger-touch sensor.
9. After the Electronic Controller, Finger-touch sensor, and locks have been installed, install the latch on the door or drawer.
10. Make sure the latch is properly aligned with the lock.

If the locks are going to be installed on the back of a drawer make sure there is **3.125 inches** between the back of the drawer and the back wall so that there is enough space to fit the lock (Emergency Release Lever can be removed). Shims / Mounting Blocks can be fabricated to properly install the lock behind the drawer.

The closing mechanism of the Rotary Lock is push to close therefore the app and biometric finger-touch sensor are used to unlock the lock. It will lock when the door or drawer are closed.

