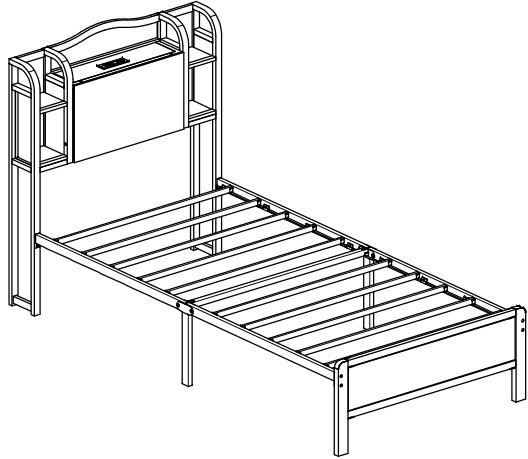


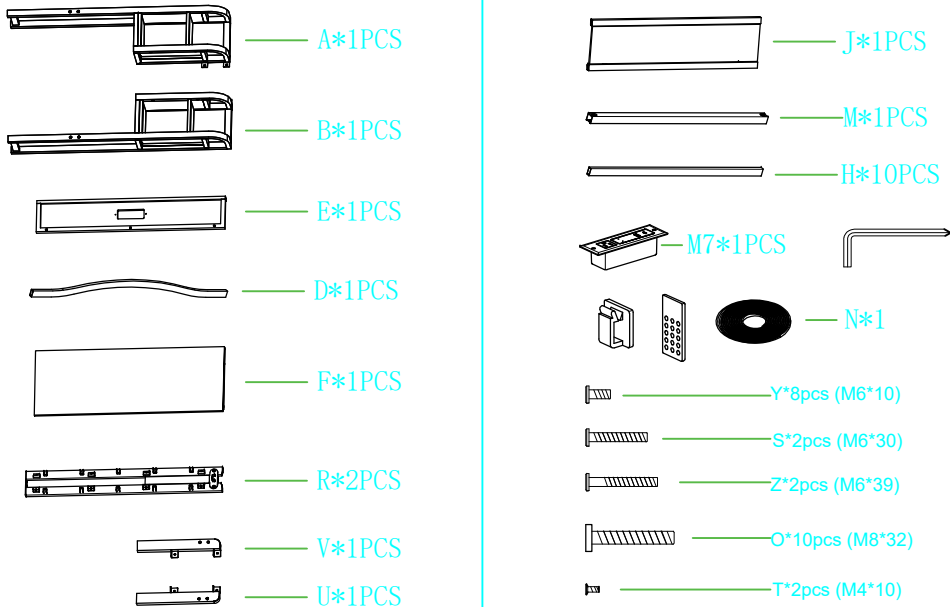
Assembly Instruction A1

If you have any questions about the product, please don't hesitate to contact us.



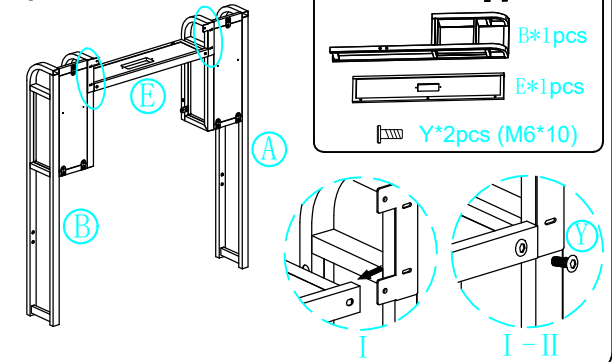
CB-1

Component composition

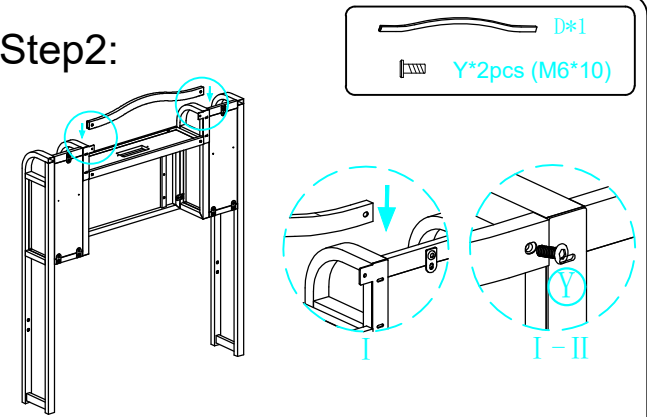


Assemble The Steps

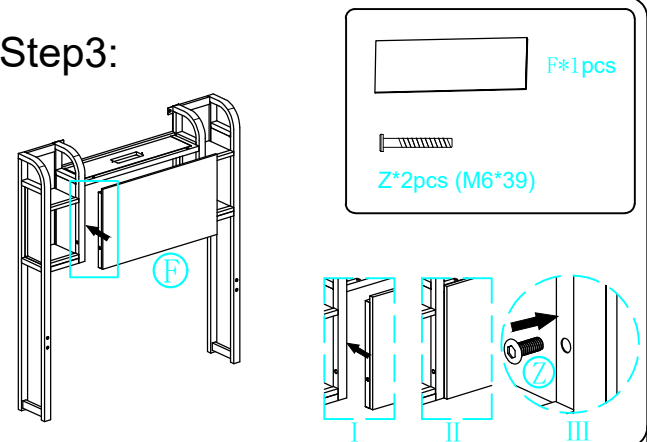
Step1:



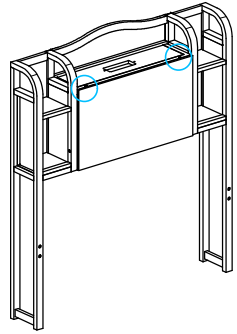
Step2:



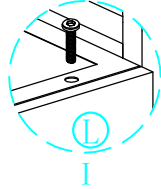
Step3:



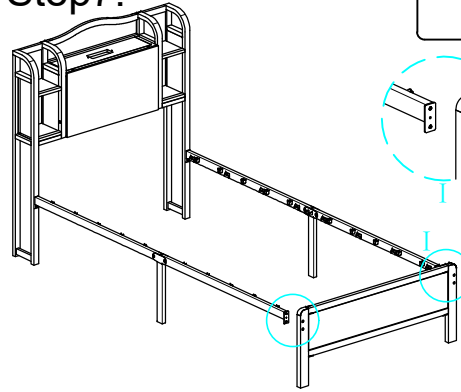
Step4:



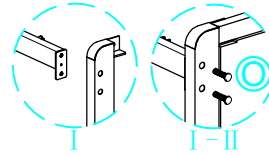
L*2pcs (M6*30)



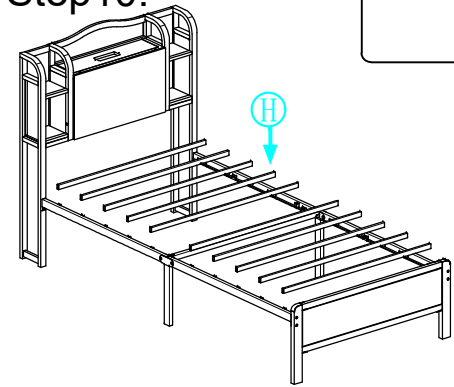
Step7:



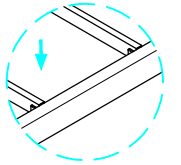
O*4pcs (M8*32)



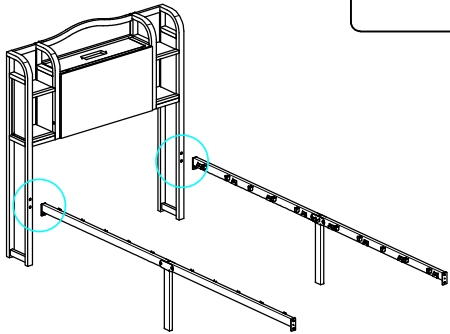
Step10:



H*10



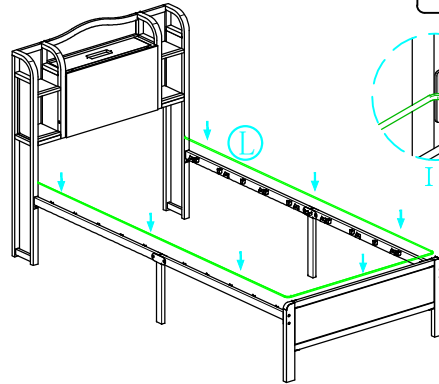
Step5:



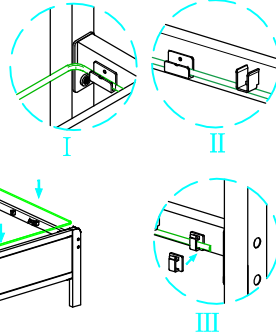
R*2
O*4pcs (M8*32)



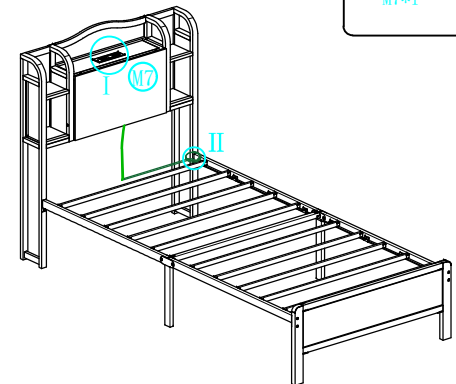
Step8:



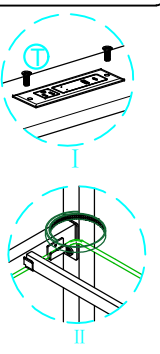
N*1



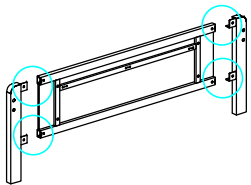
Step11:



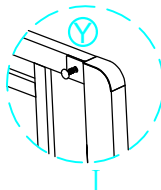
M7*1
T*2pcs(M4*10)



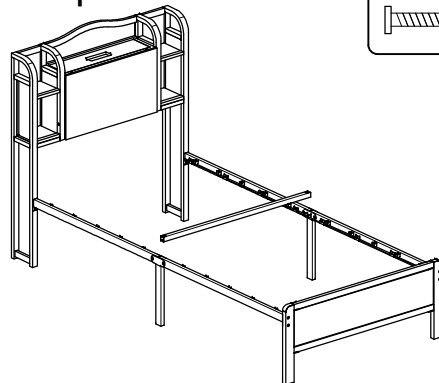
Step6:



J*1
V*1
U*1
Y*4pcs (M6*10)



Step9:



M*1
O*2pcs (M8*32)

