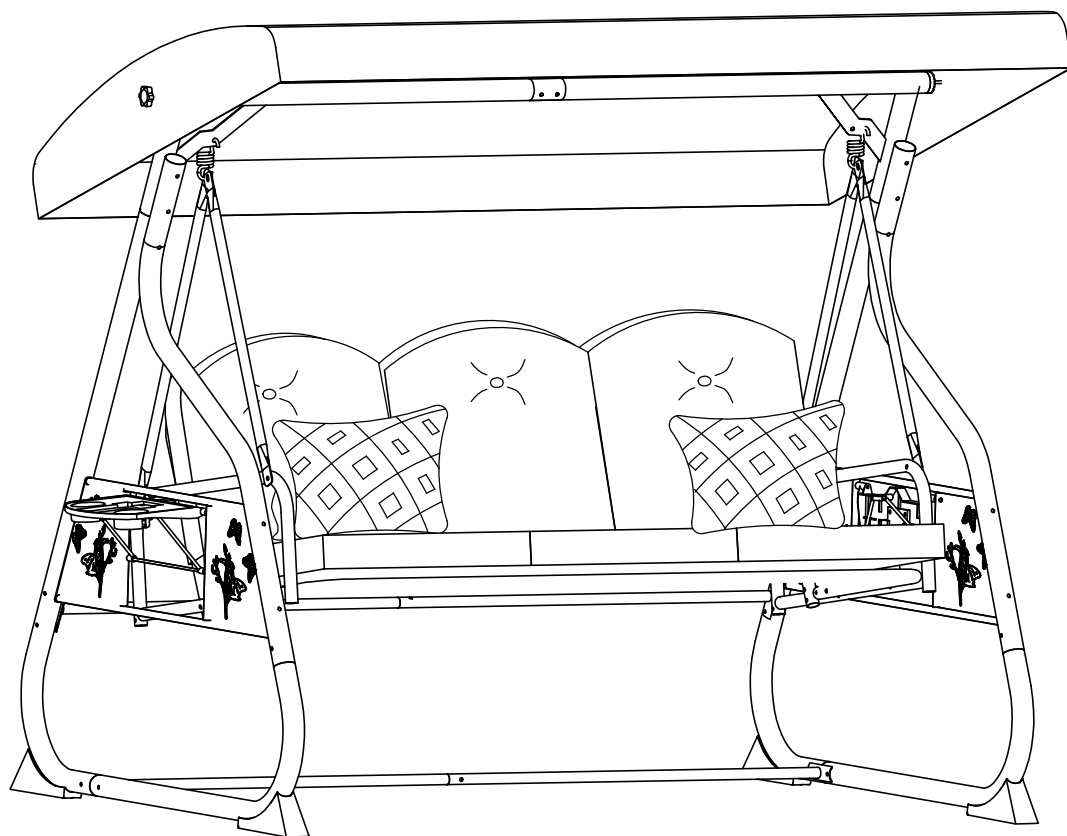


PATIO SWING

ASSEMBLY INSTRUCTION



If you have any questions, feel free to email us

THANK YOU

Register and Get the Full Benefit

It's our way of saying thank you.

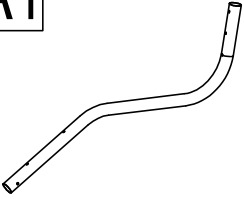
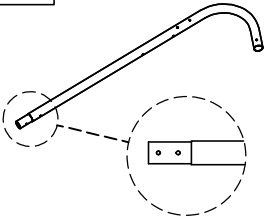
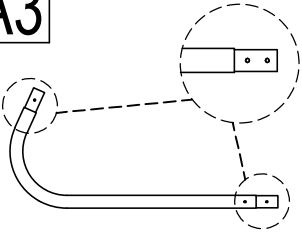
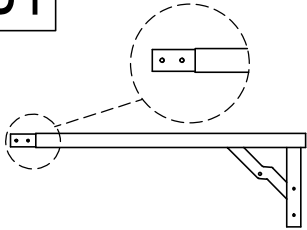
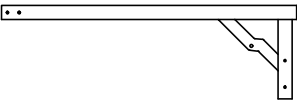
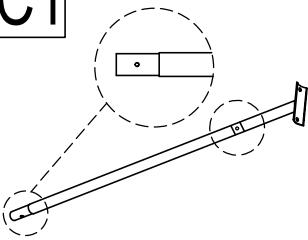
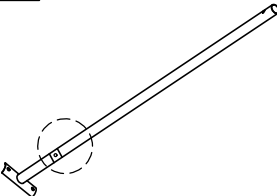
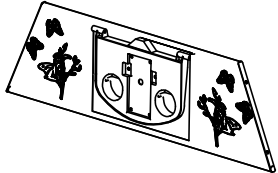

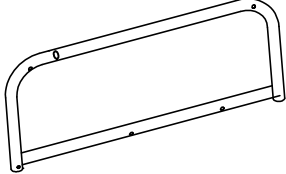
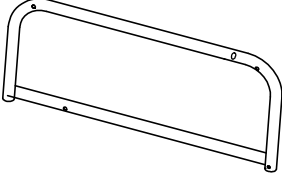
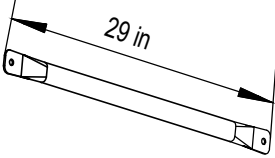
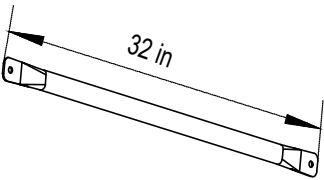
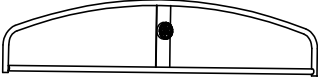


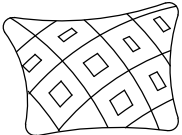

Register your product to enjoy a number of benefits:

- (1) 1-year warranty extension
- (2) 24/7 quicker service and product support
- (3) Chance to test new products for free
- (4) Get specific discount on shop items

Register Way: Send " your name + order ID "





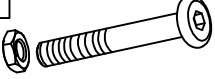
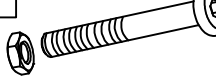
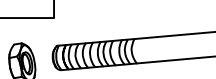
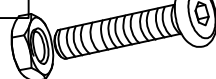
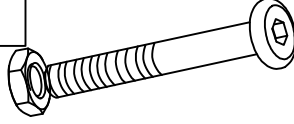
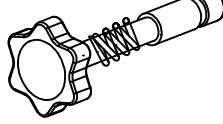

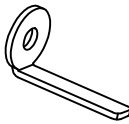
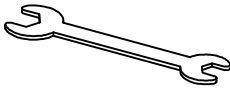

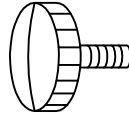

Assembly Instruction

Parts List

A1 	A2 	A3 	B1 
2PCS	2PCS	2PCS	1PC
B2 	C1 	C2 	D 
1PC	2PCS	2PCS	2PCS
E 	F1 	F2 	G1 
1PC	1PC	1PC	2PCS
G2 	H 	I 	J 
2PCS	2PCS	1PC	3PCS
K 	L 		
2PCS	4PCS		

Assembly Instruction

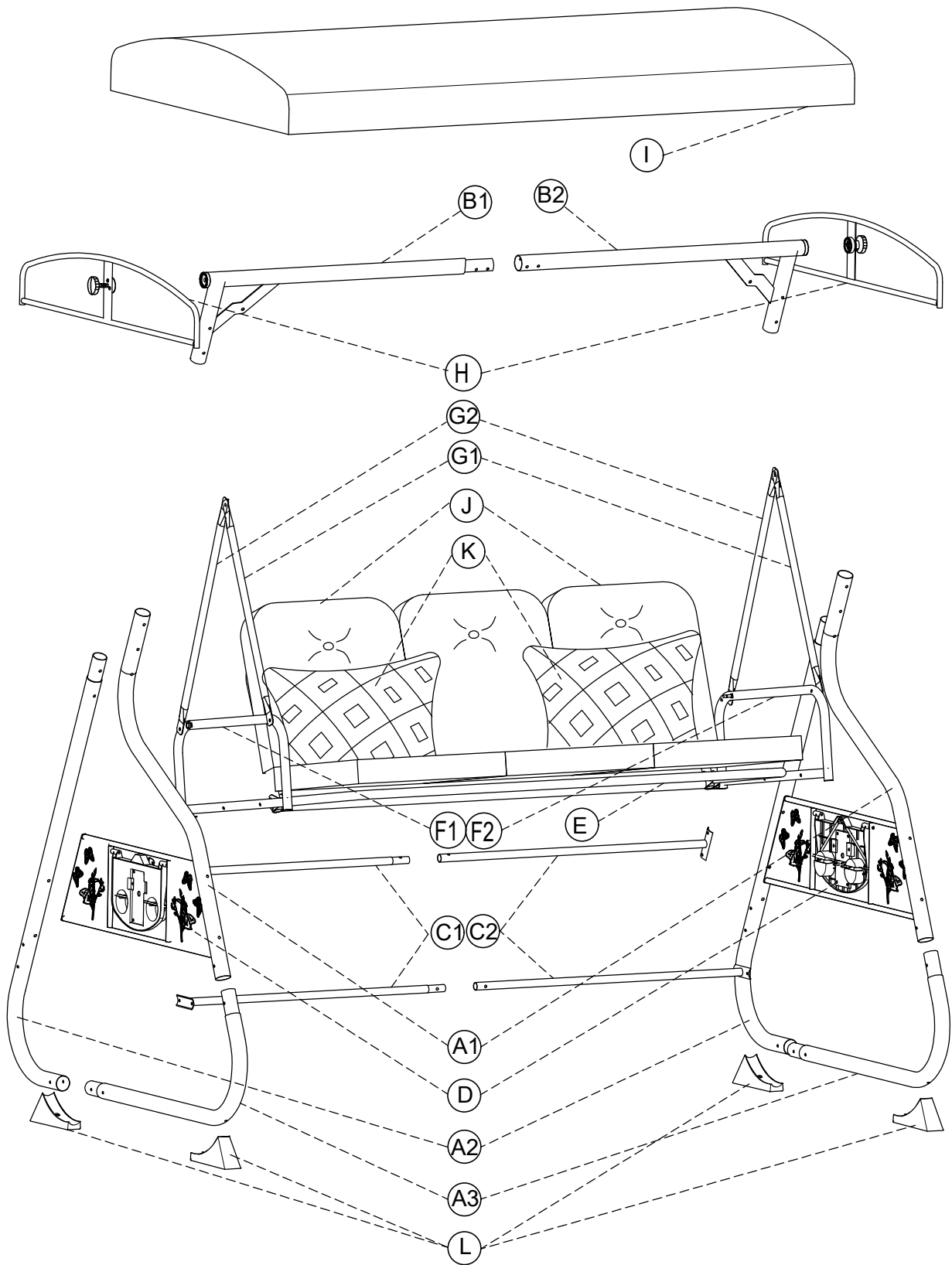
Parts List

#1		#2		#3		#4	
	M6*15mm 8PCS		M6*25mm 4PCS		M6*30mm 2PCS		M6*40mm 2PCS
#5		#6		#7		#8	
	M6*55mm 4PCS		M6*65mm 8PCS		M6*105mm 6PCS		M8*45mm 4PCS
#9		#10		#11		#12	
	M8*75mm 4PCS		2PCS		4PCS		2PCS
#13		#14		#15		#16	
	Wrench(M6-M8) 1PC		1PC		2PCS		2PCS

DANGER

1. Please assemble according to the installation steps in the manual.
2. During the assembly process, please tighten the screws by 80%. After all the screws are assembled, they can be tightened by 100%.
3. During assembly, please install it on the carpet or soft grass to avoid product damage. Thank you.

Assembly Instruction



Assembly Instruction

STEP 1

A1*2

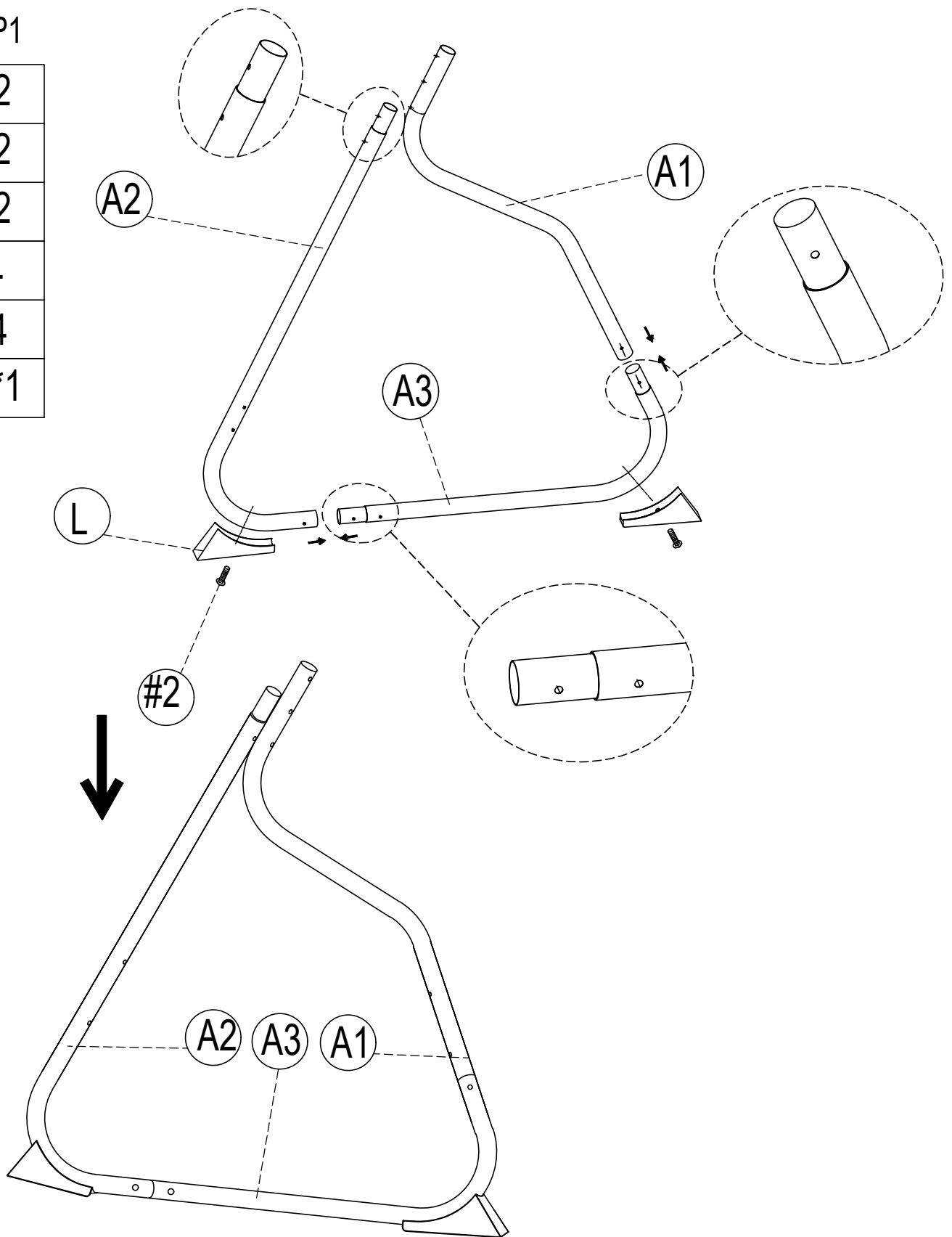
A2*2

A3*2

L*4

#2*4

#14*1



Assembly Instruction

STEP2

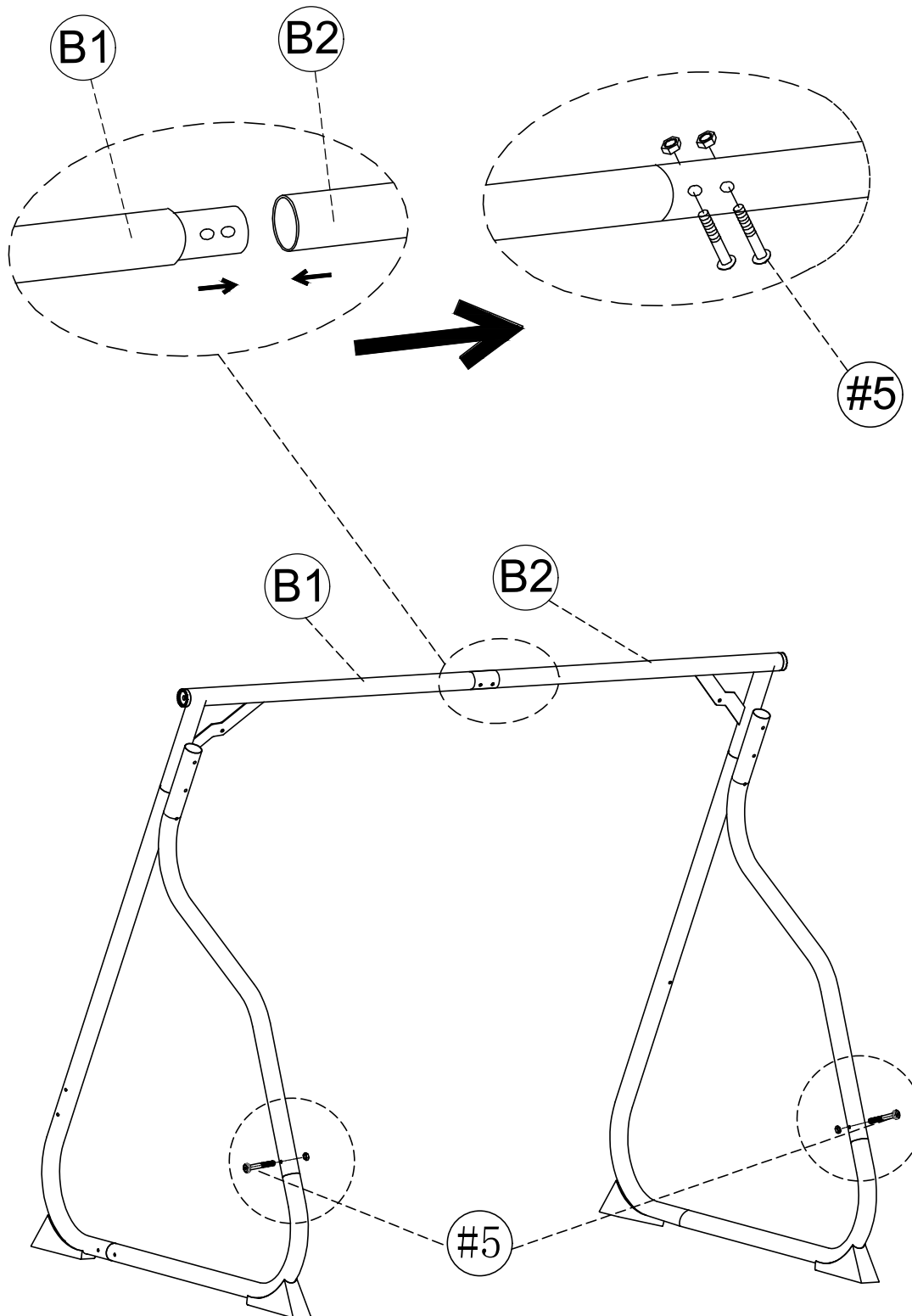
B1*1

B2*1

#5*4

#13*1

#14*1



Assembly Instruction

STEP3

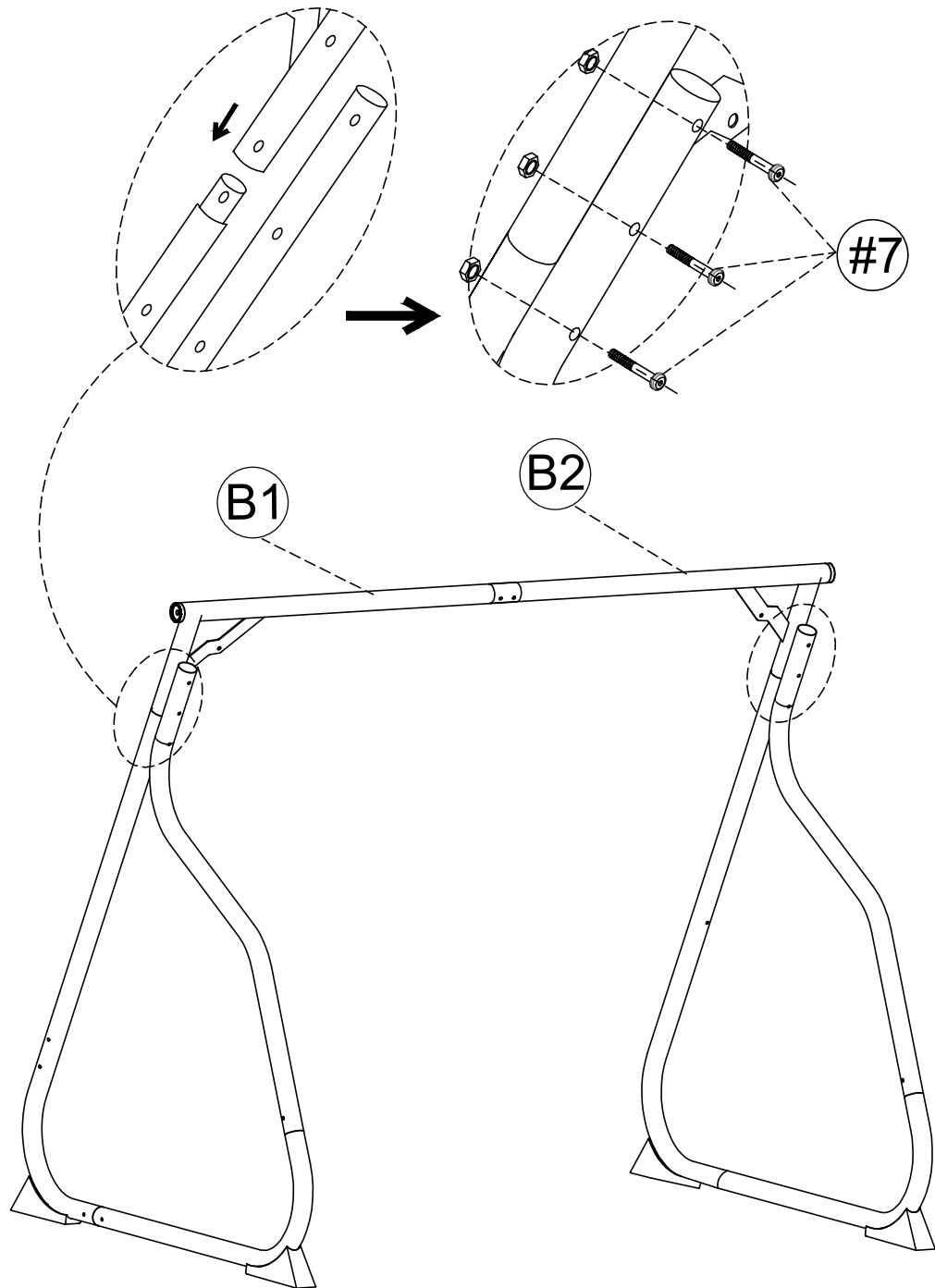
B1*1

B2*1

#7*6

#13*1

#14*1



Assembly Instruction

STEP4

C1*2

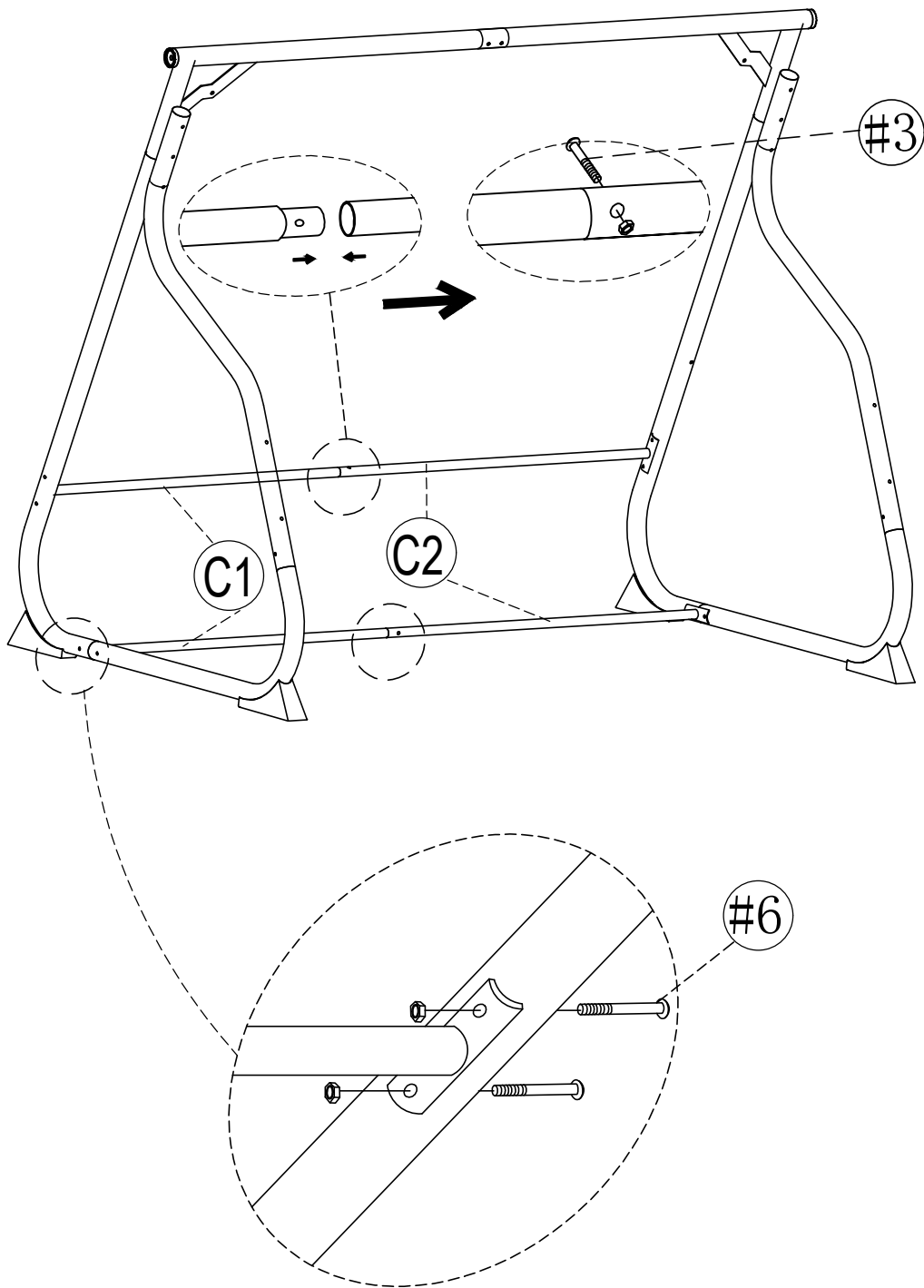
C2*2

#3*2

#6*8

#13*1

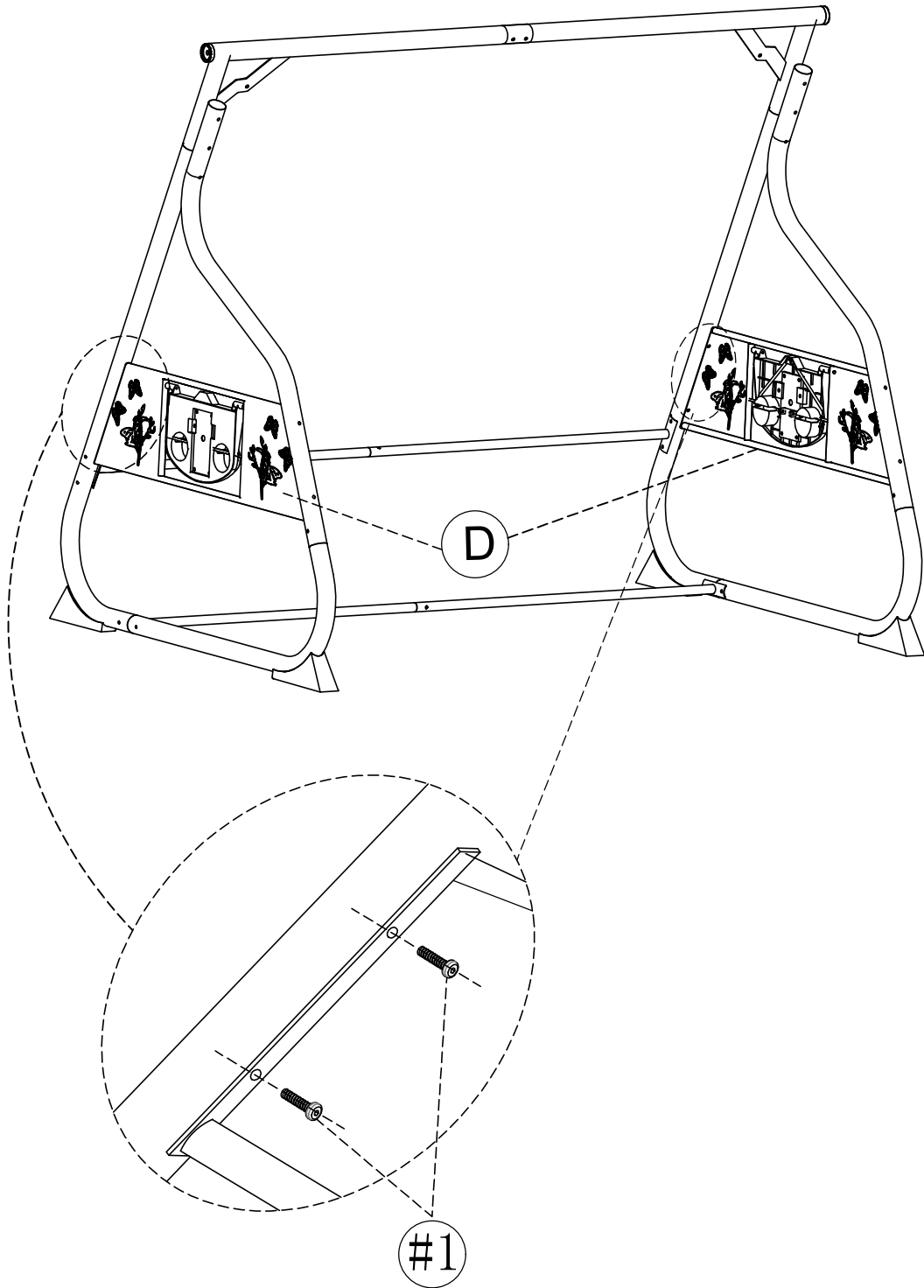
#14*1



Assembly Instruction

STEP5

- D*2
- #1*8
- #14*1



Assembly Instruction

STEP7

F1*1

#4*1

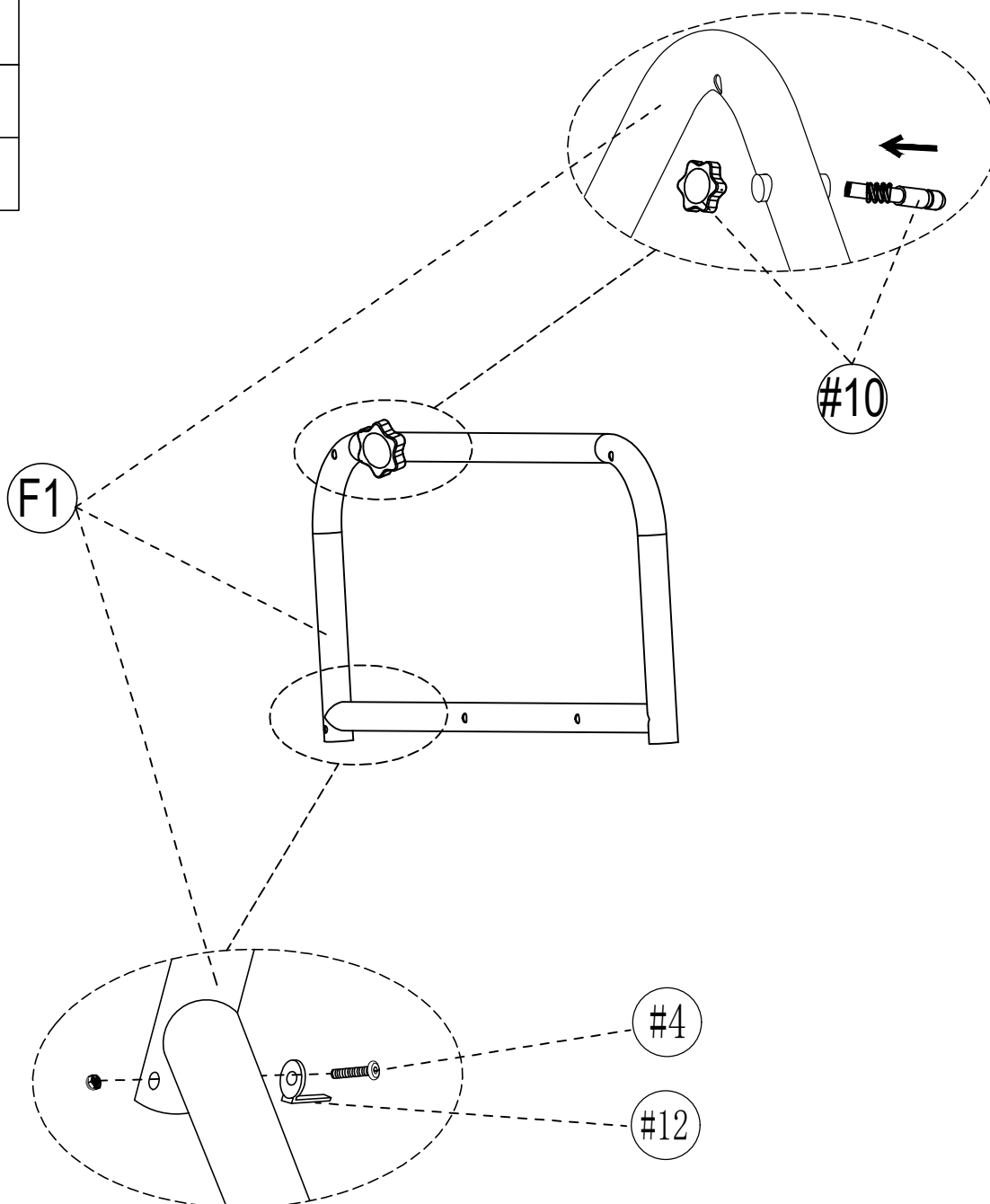
#10*1

#12*1

#13*1

#14*1

Please note: The plastic knobs of #10 is on the outside



Assembly Instruction

STEP8

F2*1

#4*1

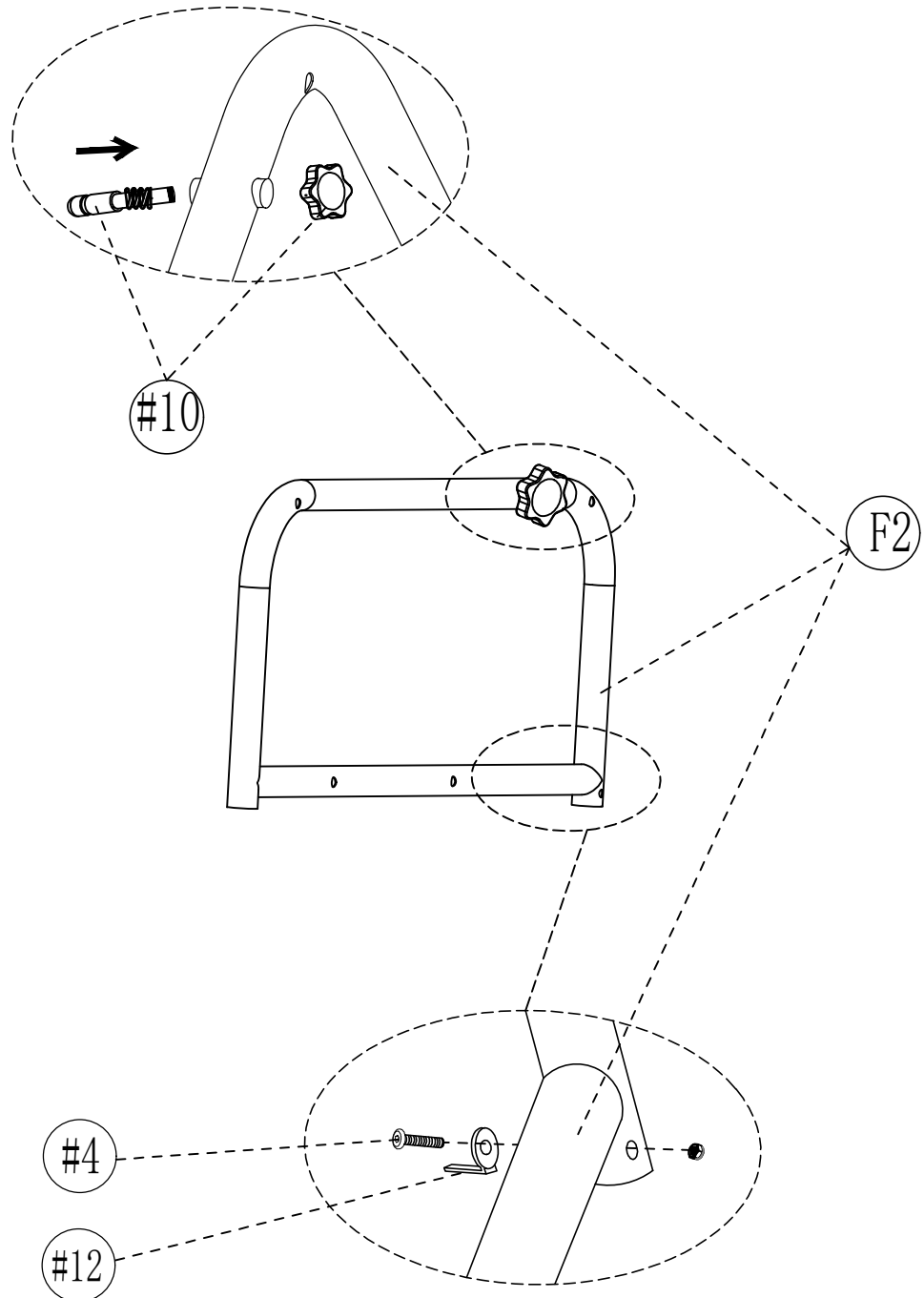
#10*1

#12*1

#13*1

#14*1

Please note: The plastic knobs of #10 is on the outside



Assembly Instruction

STEP9

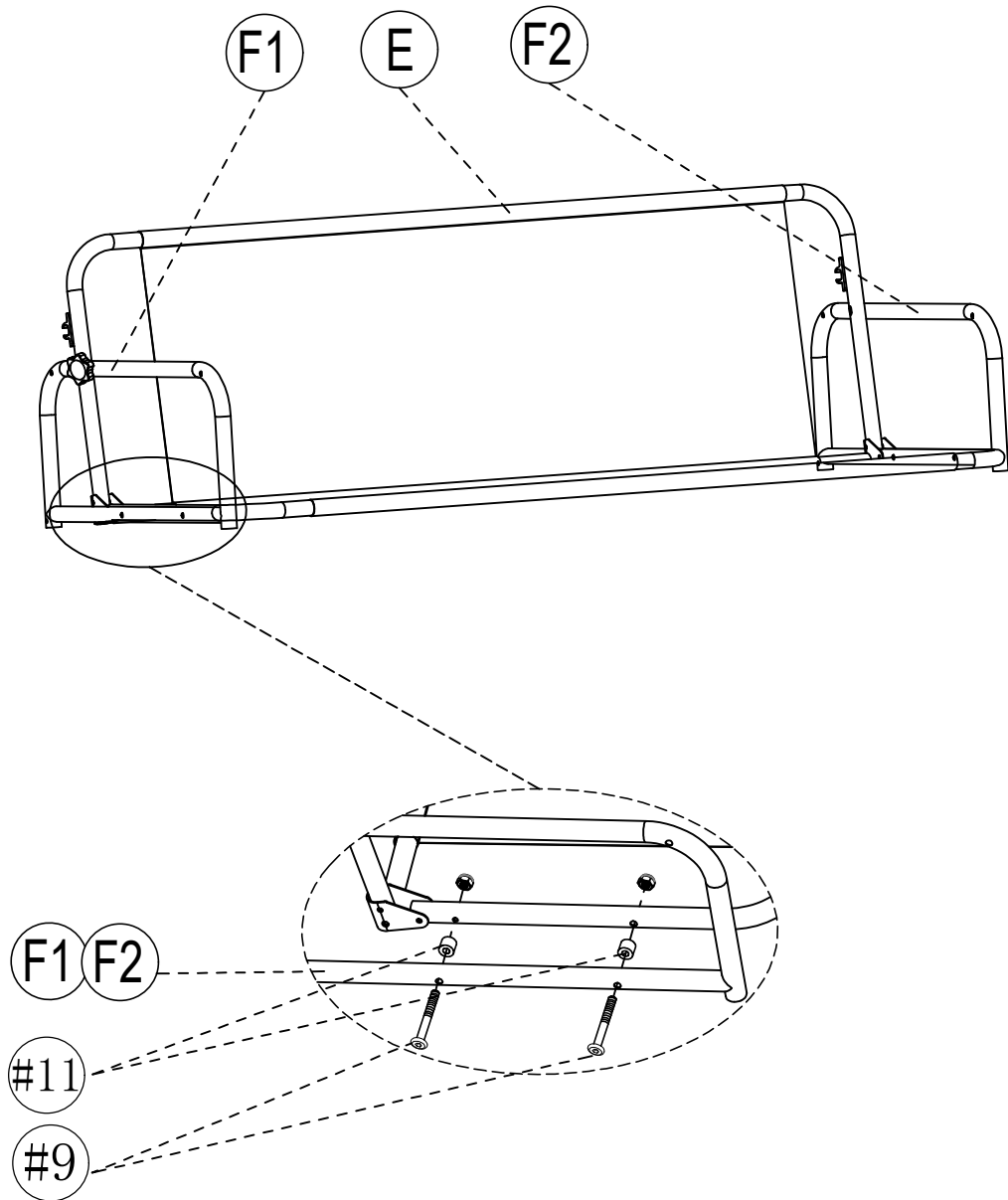
E*1

#9*4

#11*4

#13*1

#14*1



Assembly Instruction

STEP10

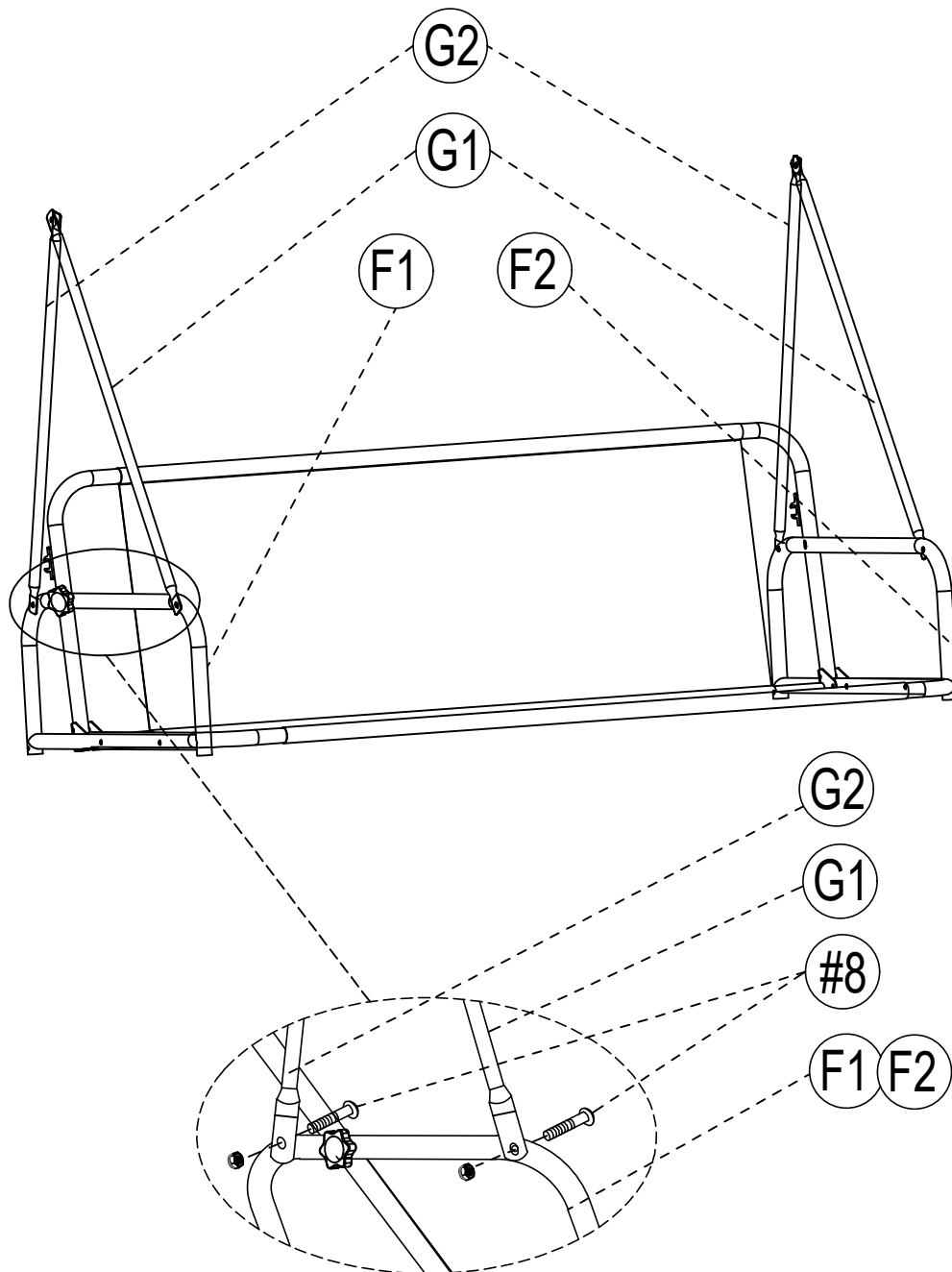
G1*2

G2*2

#8*4

PLEASE NOTICE:

PLEASE check the correct installation of the G1 and G2 carefully, short G1 need to be installed in the front, long G2 in the back. otherwise it won't be able to swing.

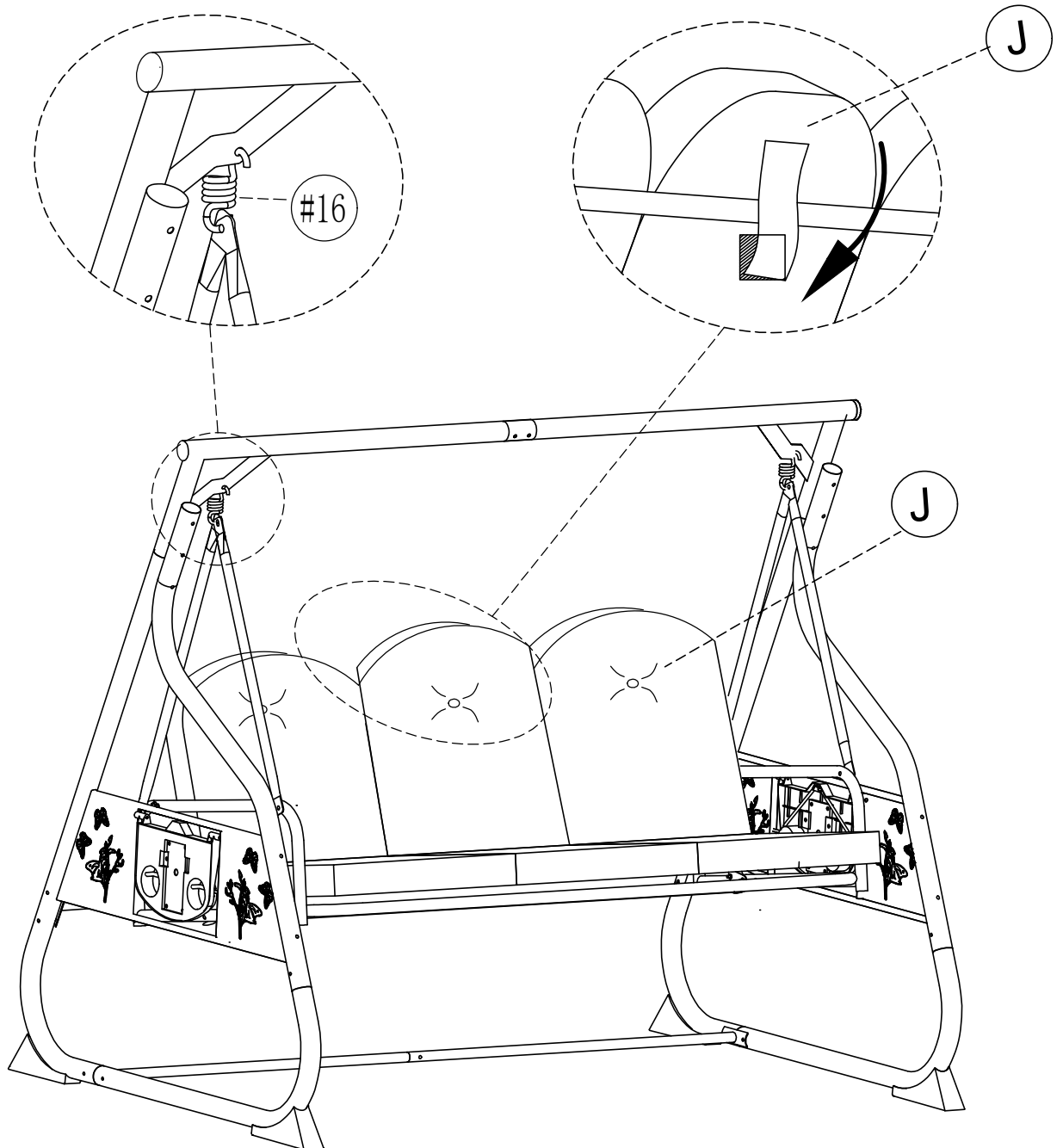


Assembly Instruction

STEP9

#16*2

J*3



Assembly Instruction

STEP10

H*2

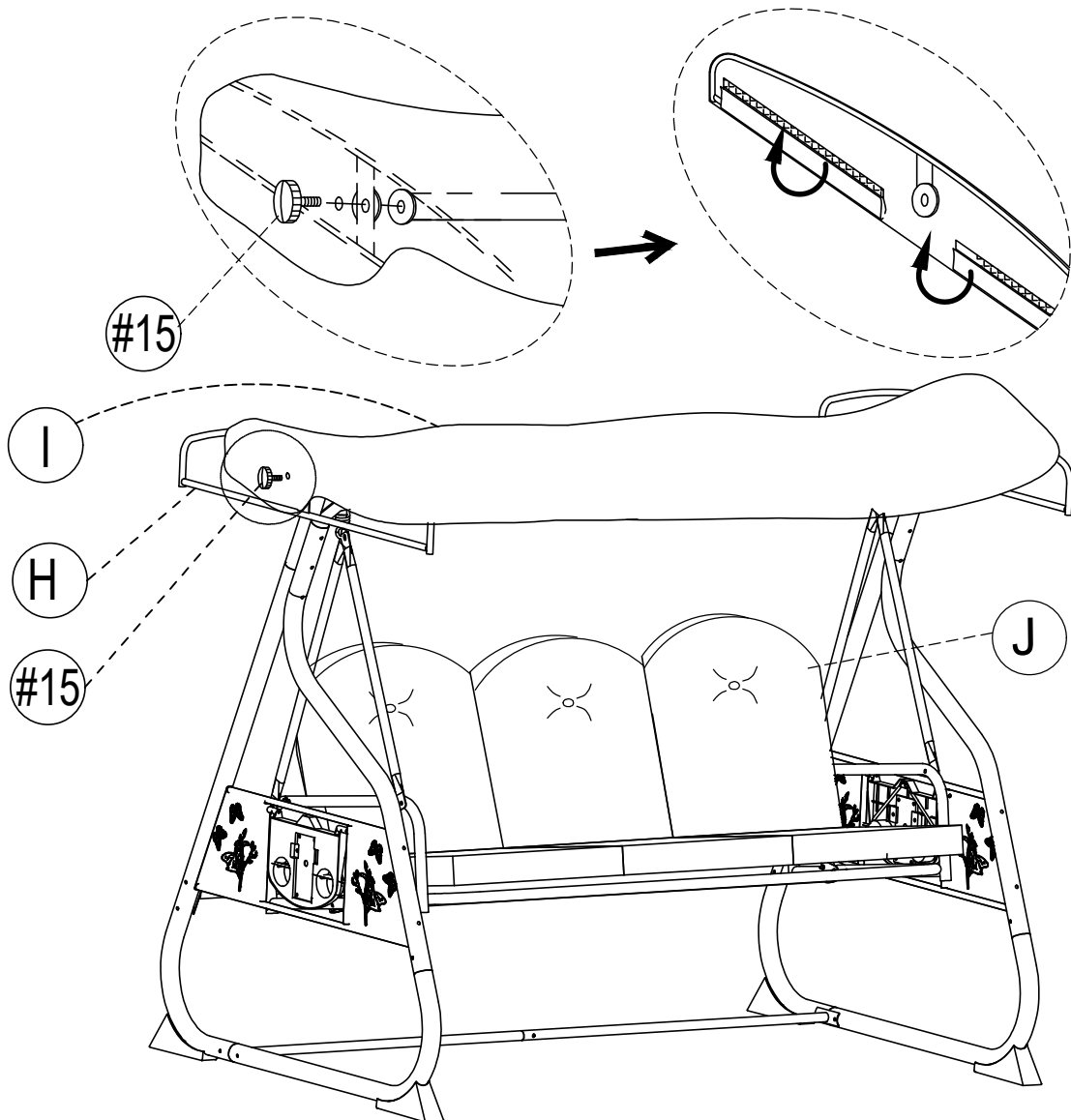
I*1

#15*2

⚠ ATTENTION

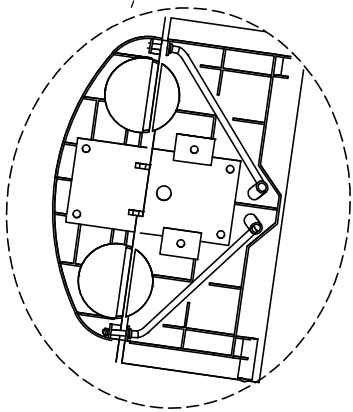
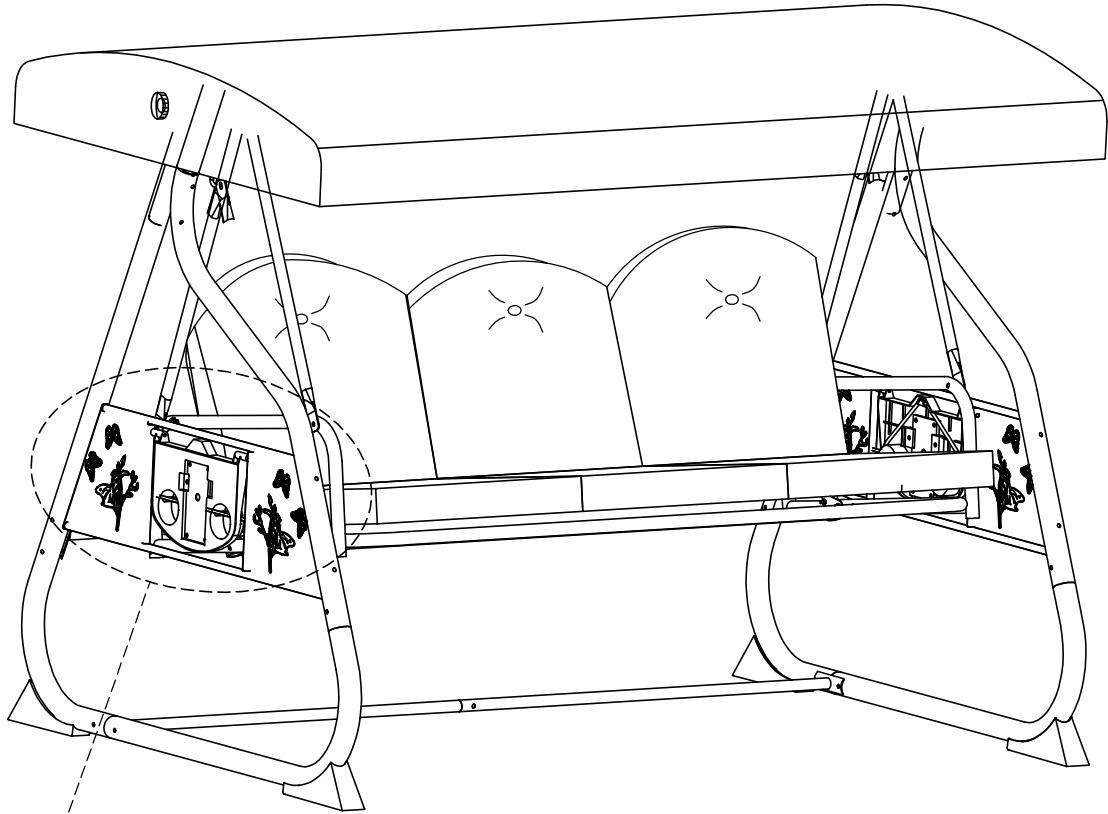
1.To adjust the angle of the canopy, please loosen the knobs on both sides, then align the gears and tighten.

2.If you find that the Velcro on one side of the canopy won't snap on, loosen the Velcro on the other side to adjust the distance. Both sides should maintain a tight feel.

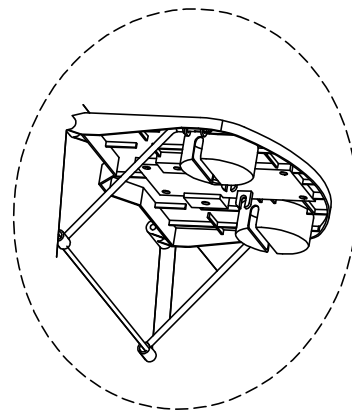


Assembly Instruction

STEP 11



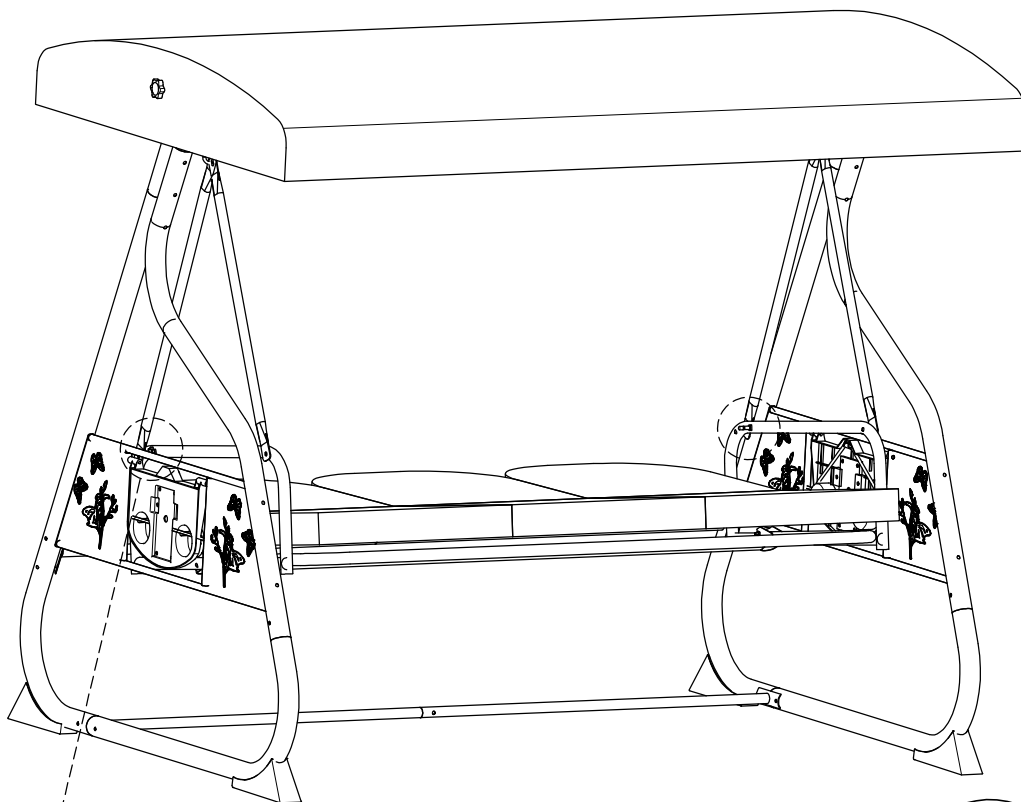
Retract bracket



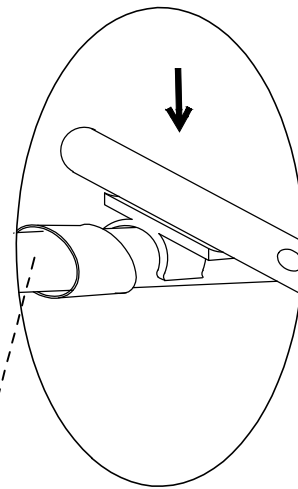
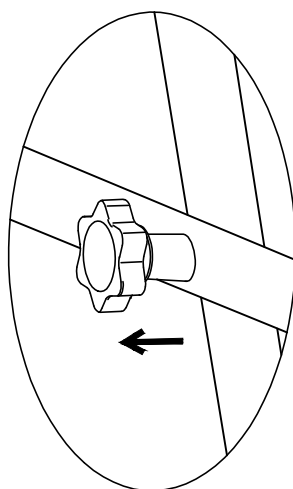
Release bracket

Assembly Instruction

STEP12



Way to turn into a bed:
(1) Pull the knobs on both sides
(2) Fasten the plastic buckle



C1 C2

ATTENTION

1. After installation, make sure it is secure and tighten all screws to 100%.
2. Watch the knobs to avoid injury when lying down.

Assembly Instruction

STEP13

K*2

