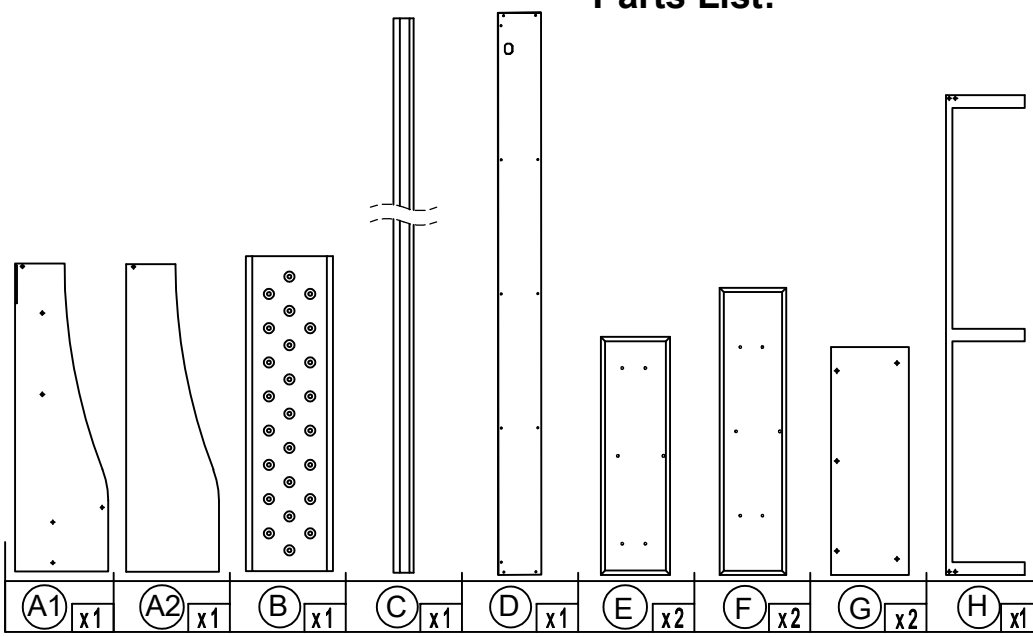


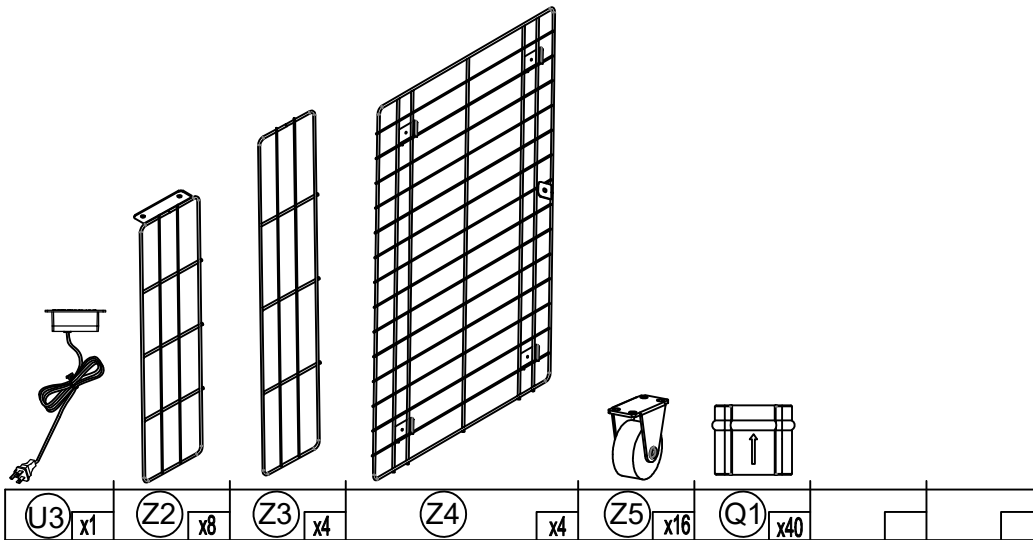
---

**PRODUCT GUIDE AND INSTALLATION MANUAL**

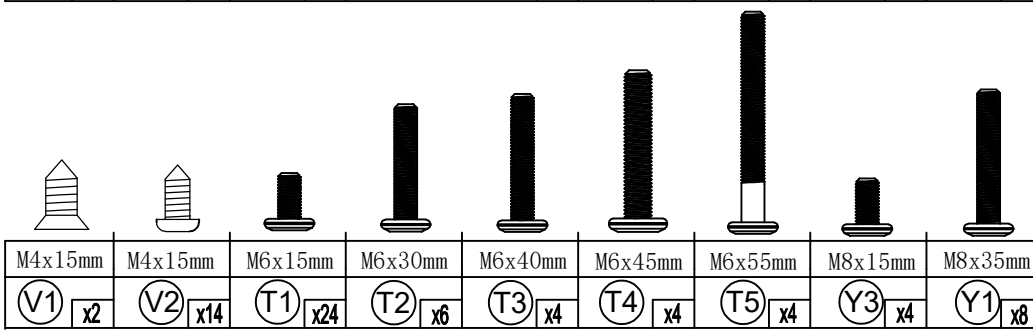
**Parts List:**



(A1)	x1	(A2)	x1	(B)	x1	(C)	x1	(D)	x1	(E)	x2	(F)	x2	(G)	x2	(H)	x1
------	----	------	----	-----	----	-----	----	-----	----	-----	----	-----	----	-----	----	-----	----

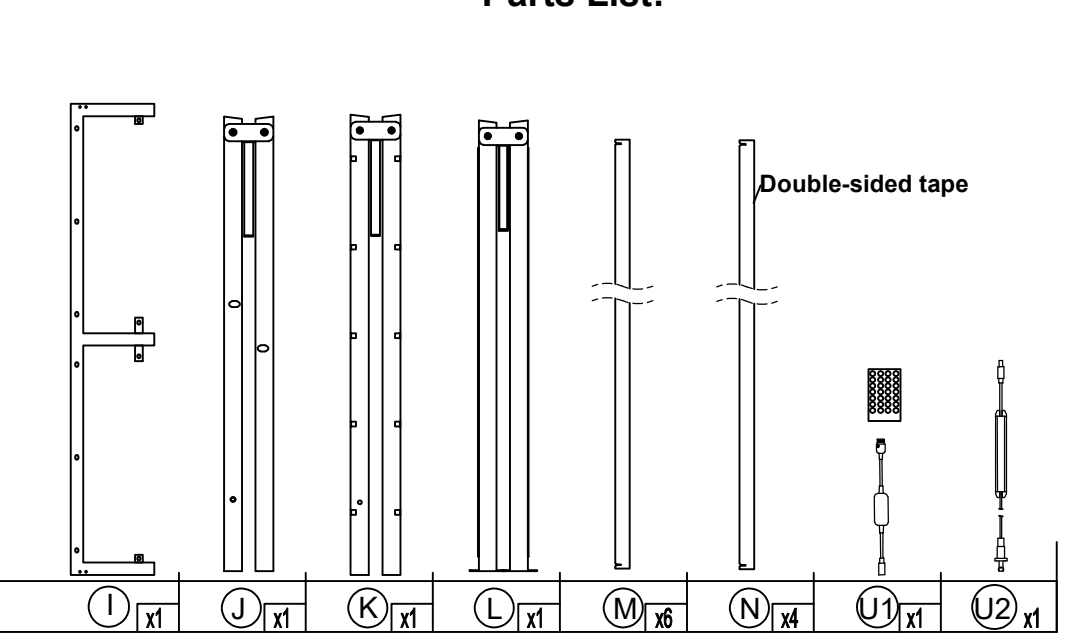


(U3)	x1	(Z2)	x8	(Z3)	x4	(Z4)	x4	(Z5)	x16	(Q1)	x40
------	----	------	----	------	----	------	----	------	-----	------	-----

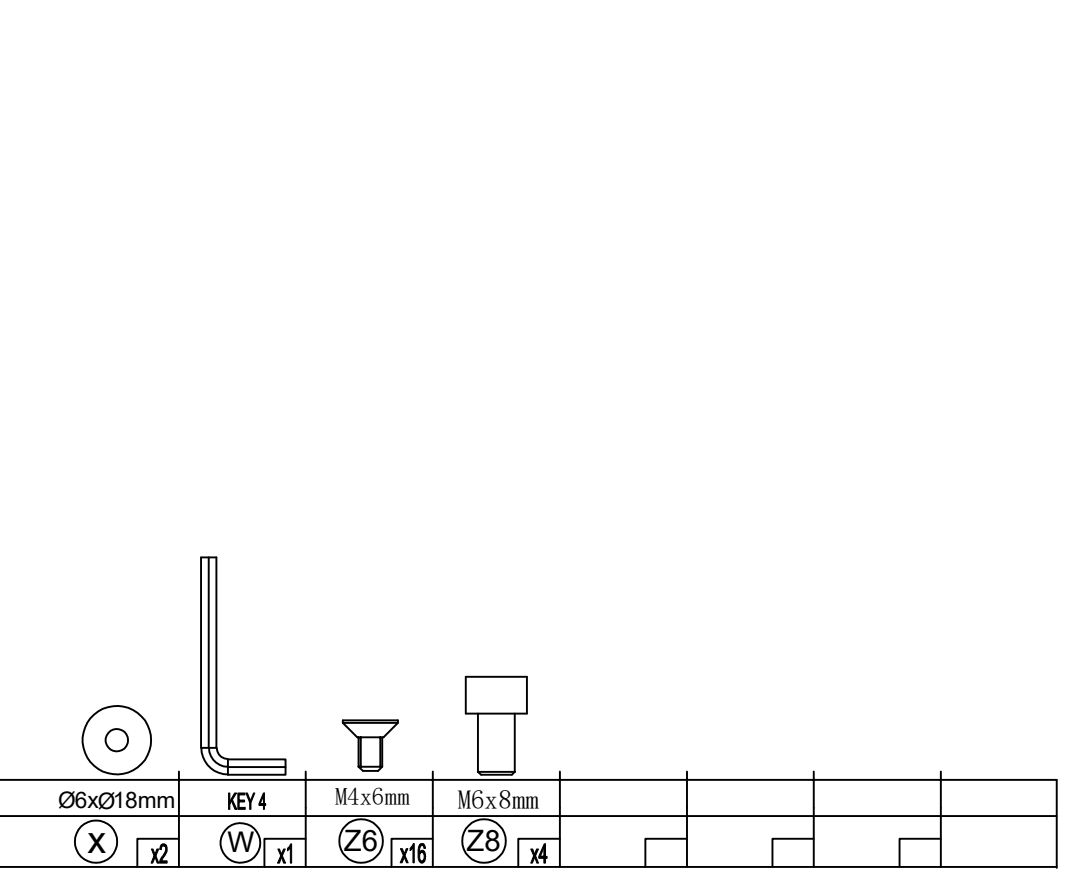


M4x15mm	M4x15mm	M6x15mm	M6x30mm	M6x40mm	M6x45mm	M6x55mm	M8x15mm	M8x35mm									
(V1)	x2	(V2)	x14	(T1)	x24	(T2)	x6	(T3)	x4	(T4)	x4	(T5)	x4	(Y3)	x4	(Y1)	x8

**Parts List:**



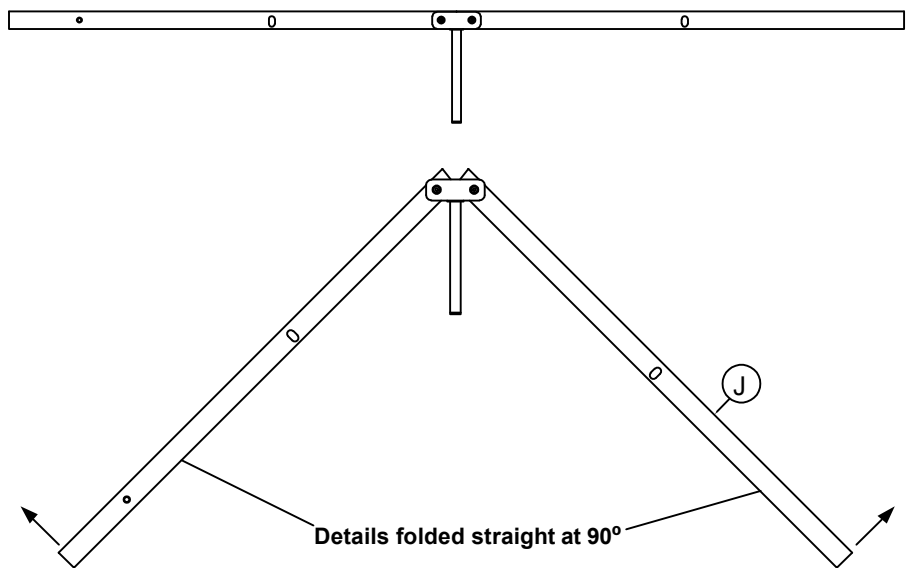
(I)	x1	(J)	x1	(K)	x1	(L)	x1	(M)	x6	(N)	x4	(U1)	x1	(U2)	x1
-----	----	-----	----	-----	----	-----	----	-----	----	-----	----	------	----	------	----



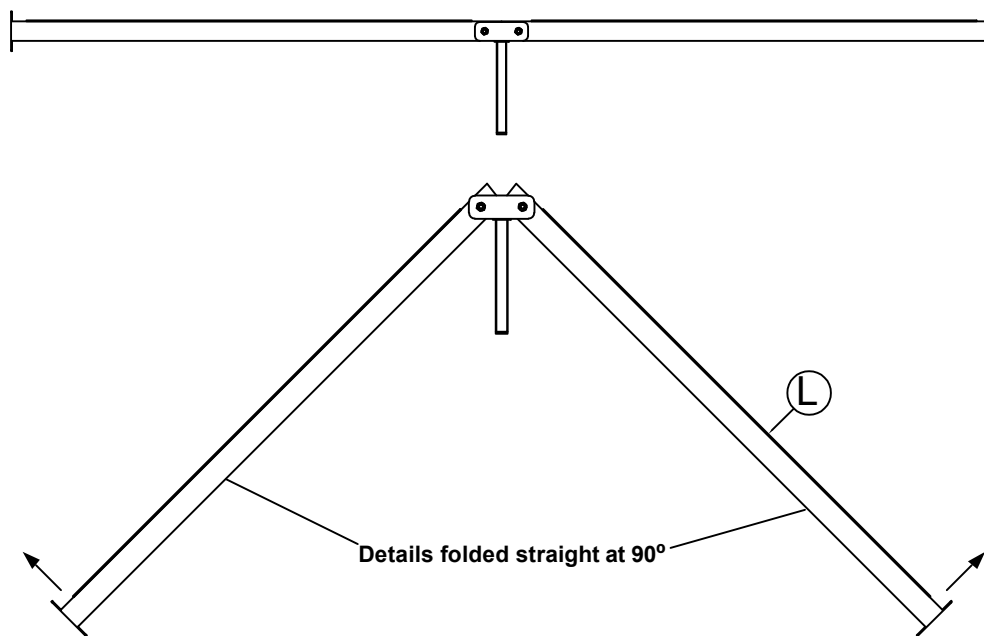
Ø6xØ18mm	KEY 4	M4x6mm	M6x8mm				
(X)	x2	(W)	x1	(Z6)	x16	(Z8)	x4

Double-sided tape

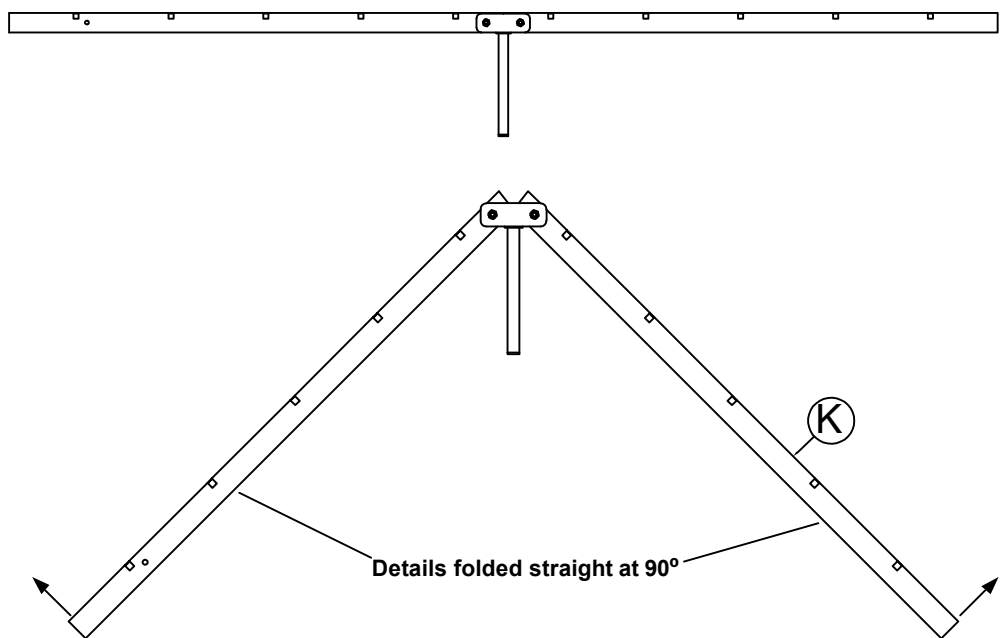
# Step 1



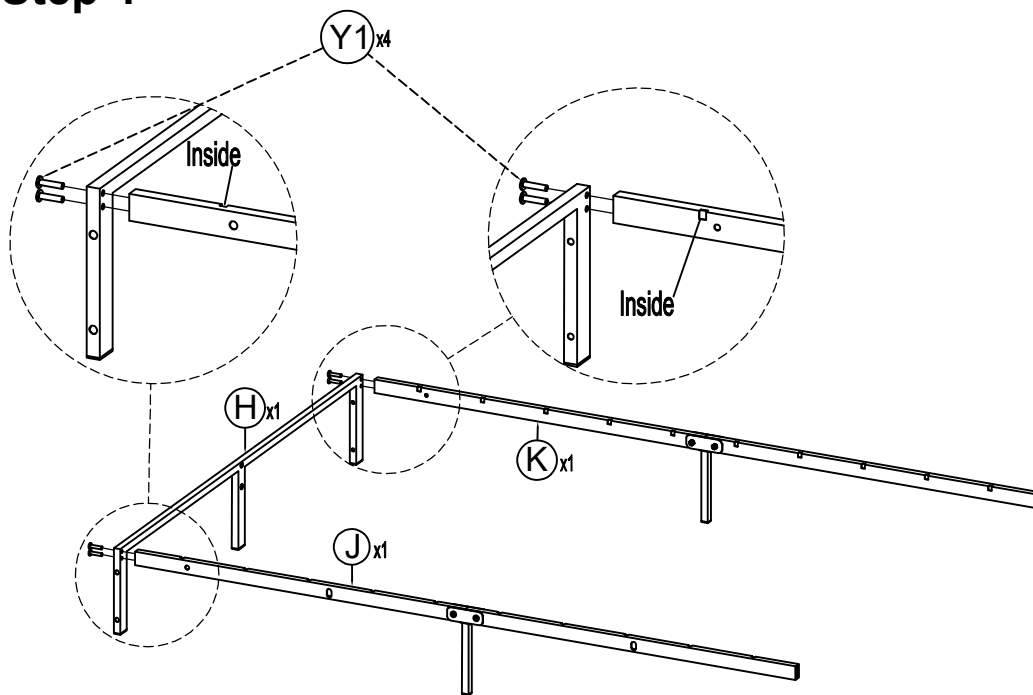
# Step 3



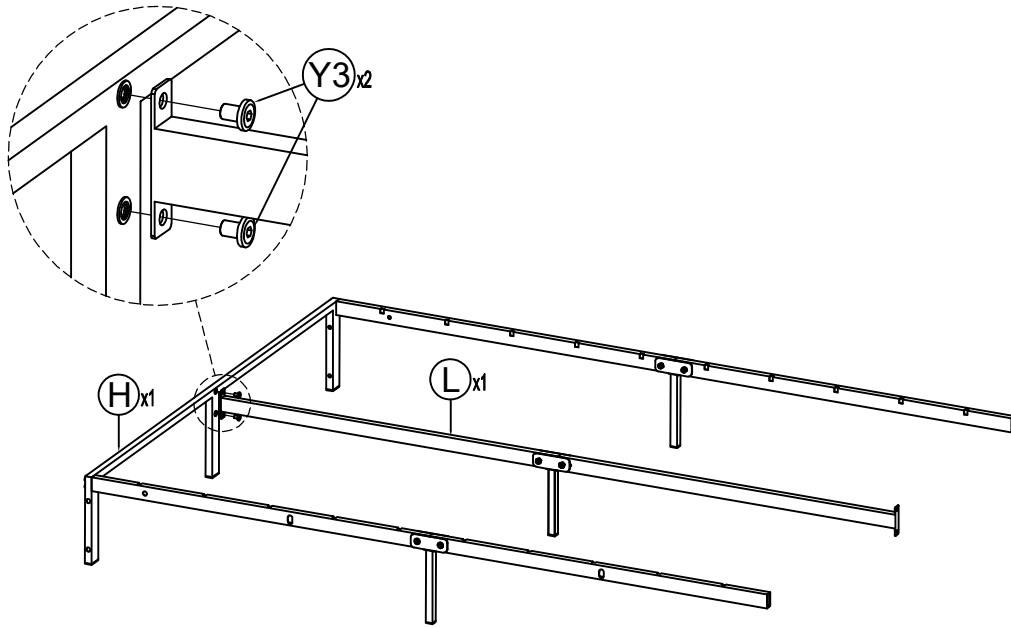
# Step 2



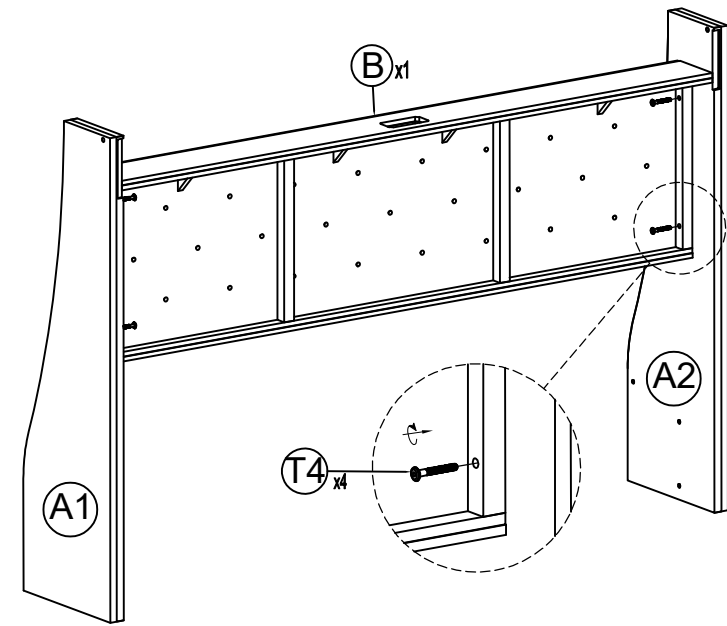
# Step 4



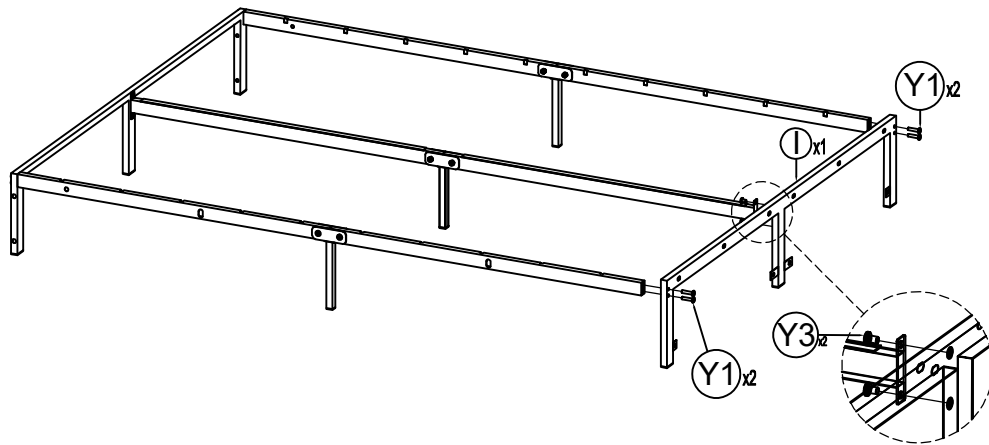
### Step 5



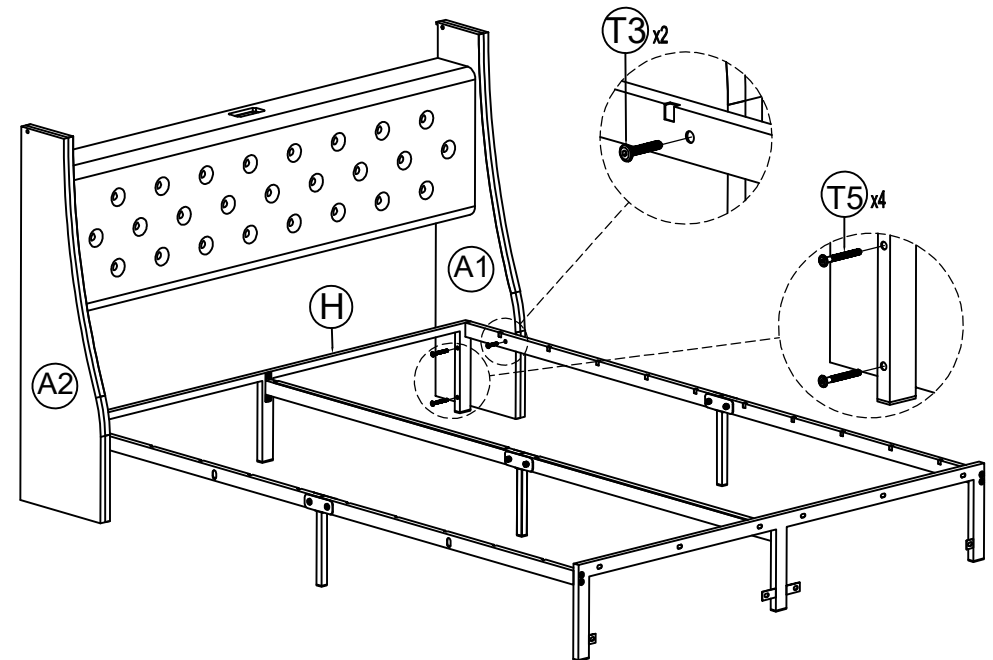
### Step 7



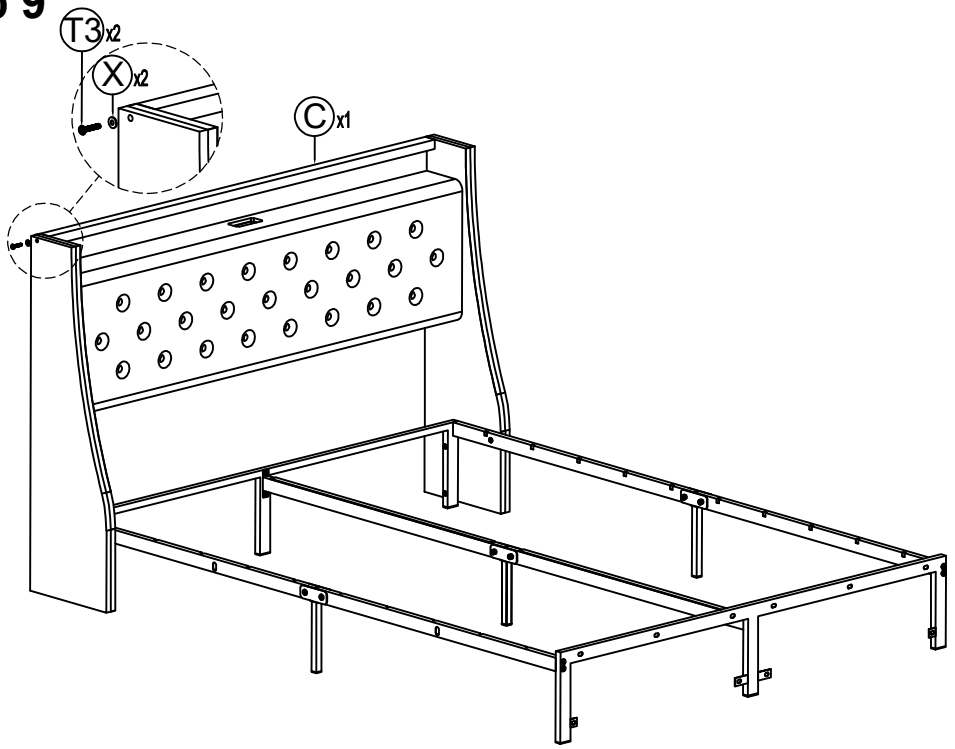
### Step 6



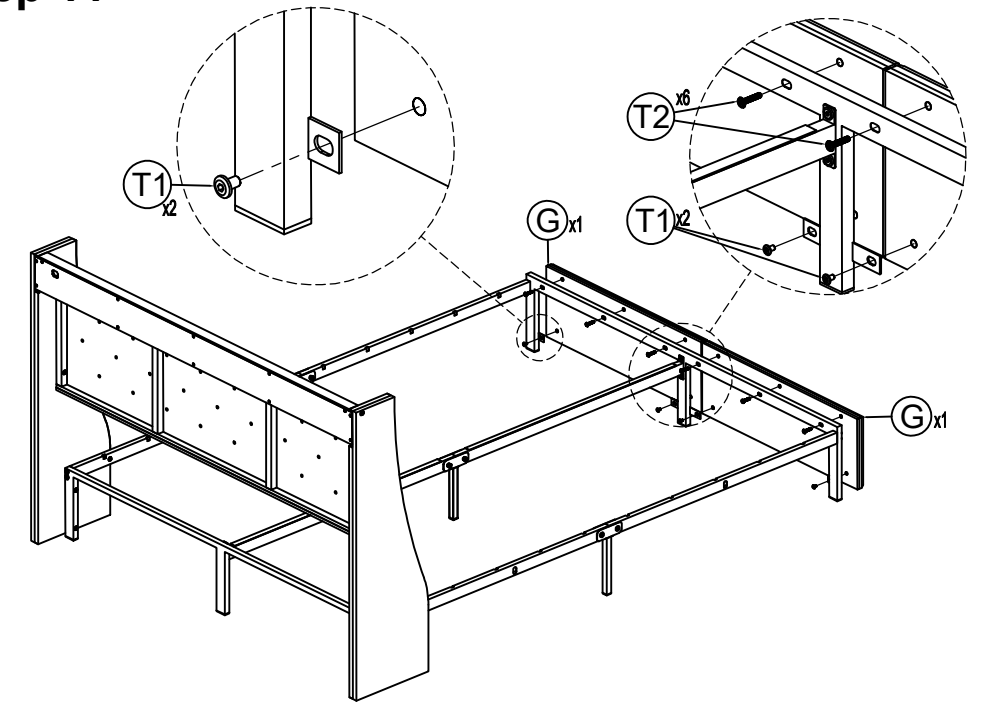
### Step 8



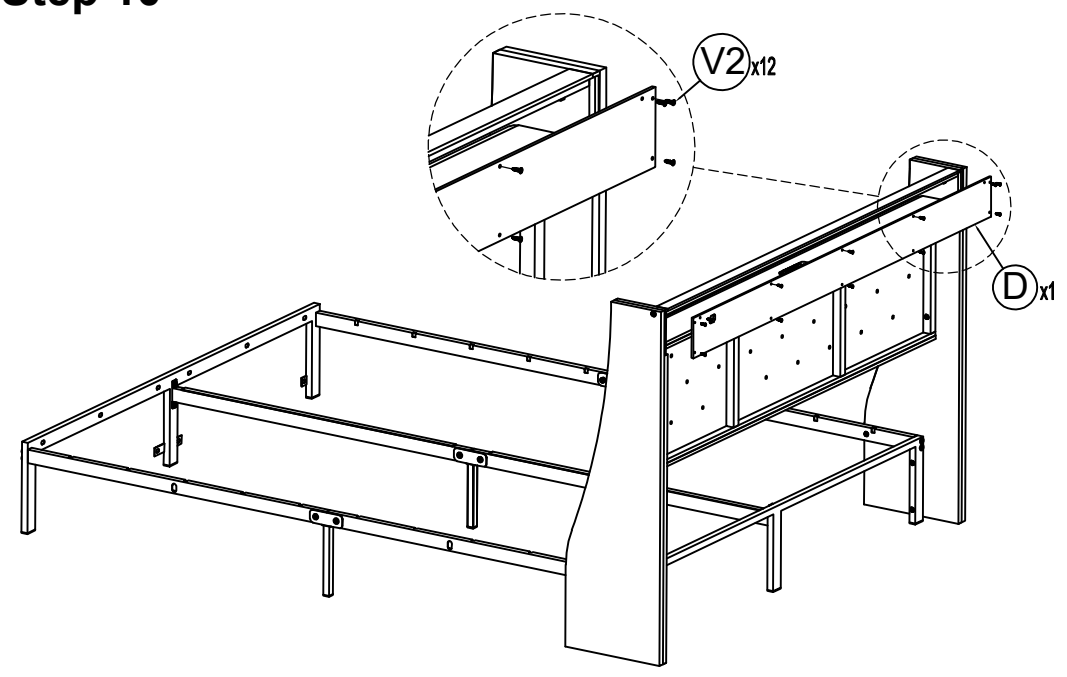
### Step 9



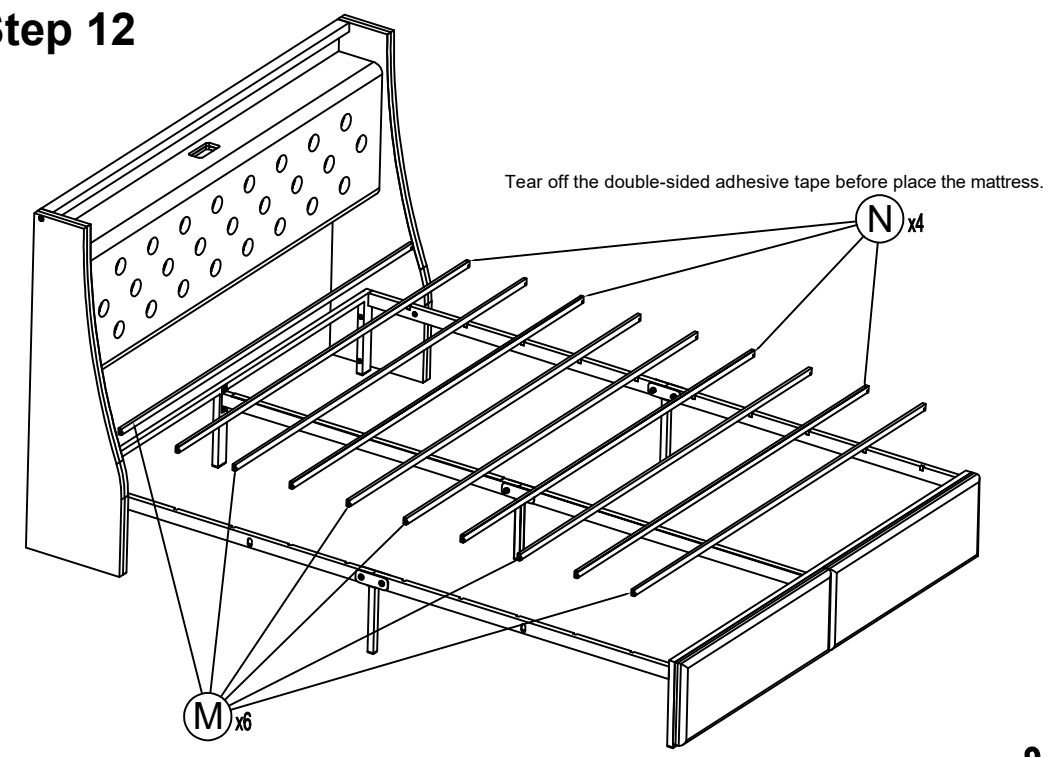
### Step 11



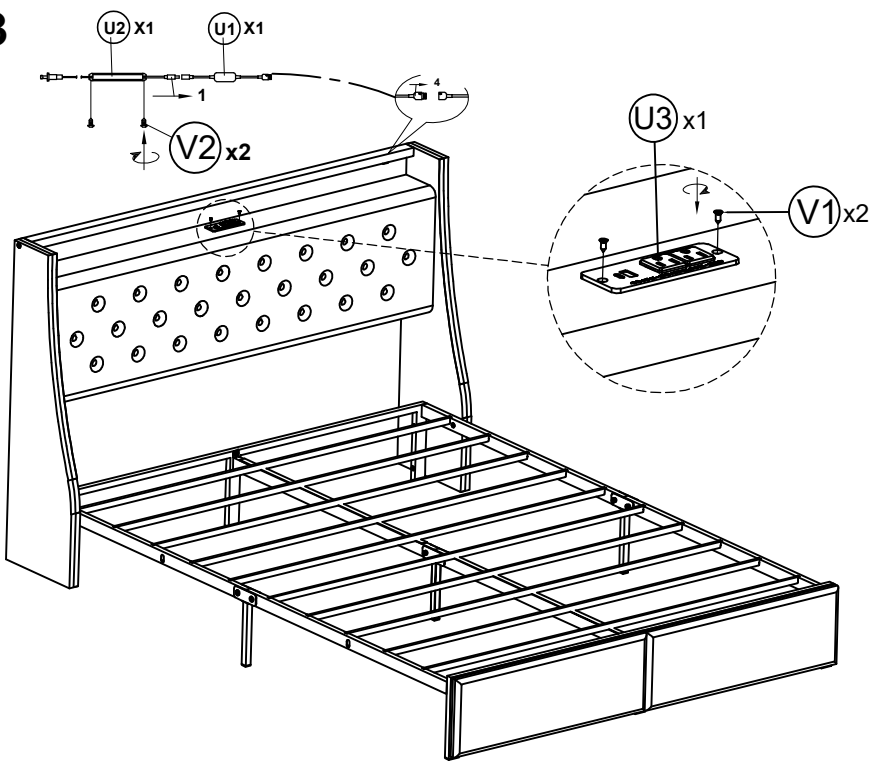
### Step 10



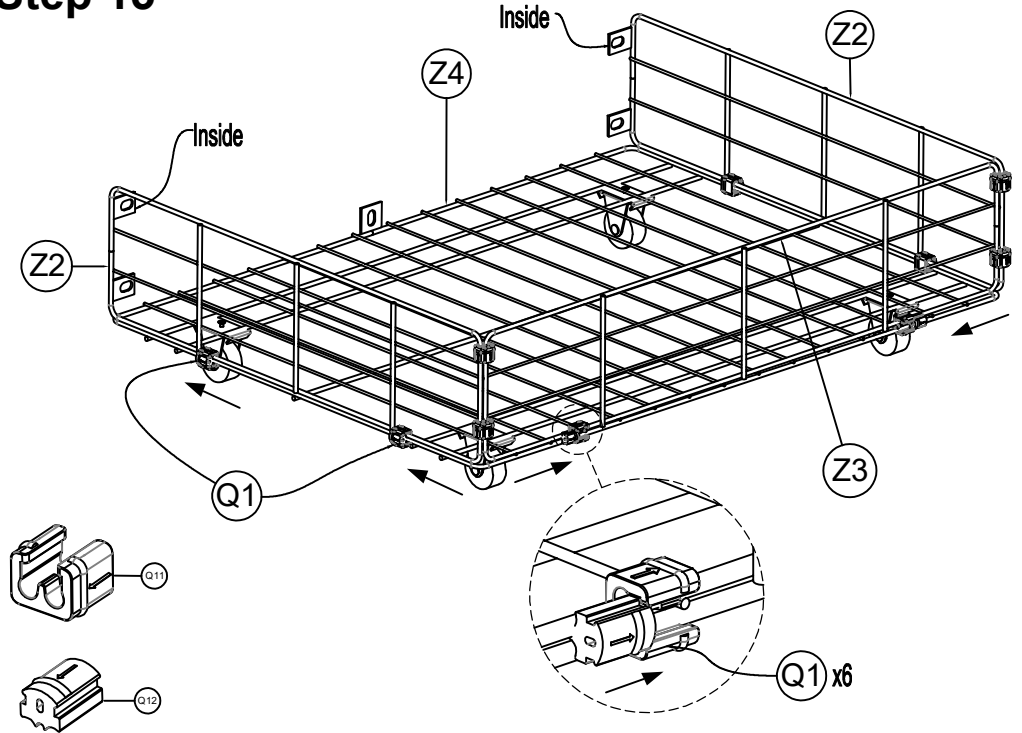
### Step 12



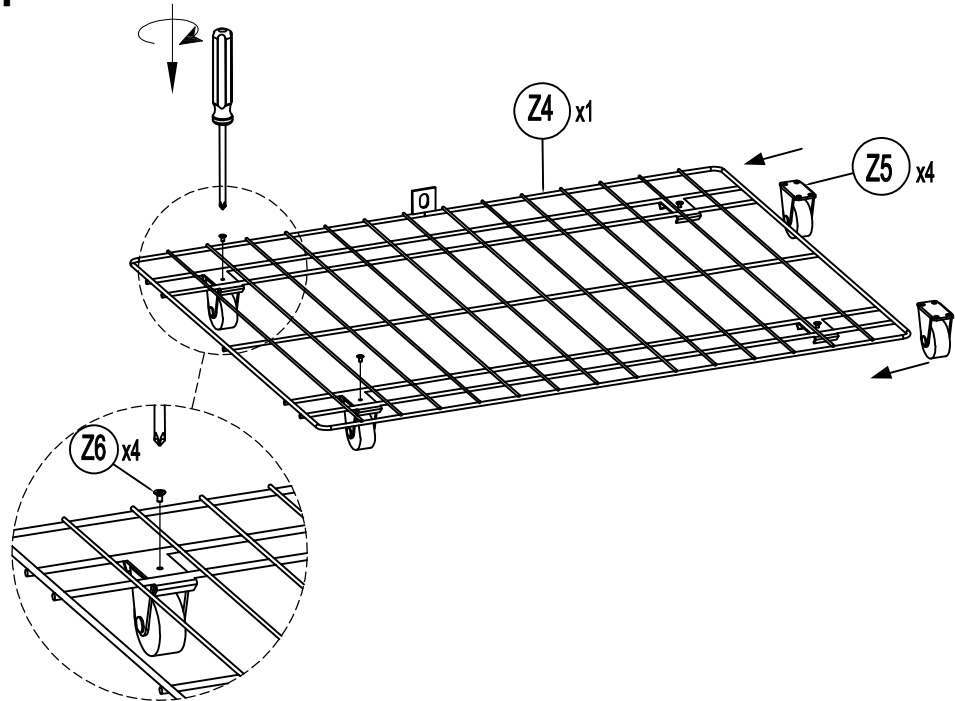
### Step 13



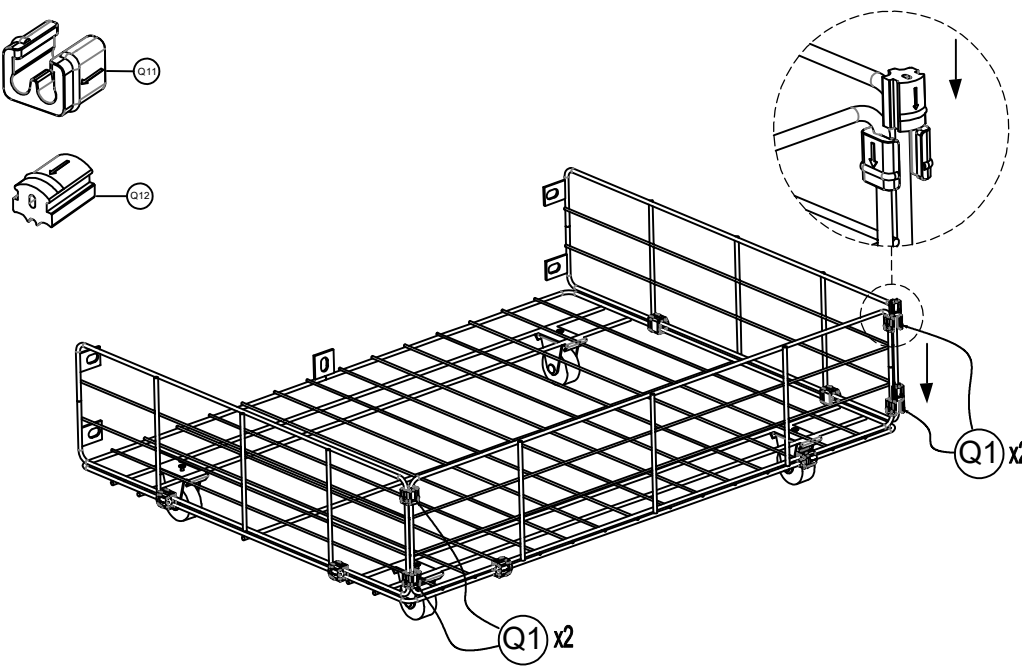
### Step 15



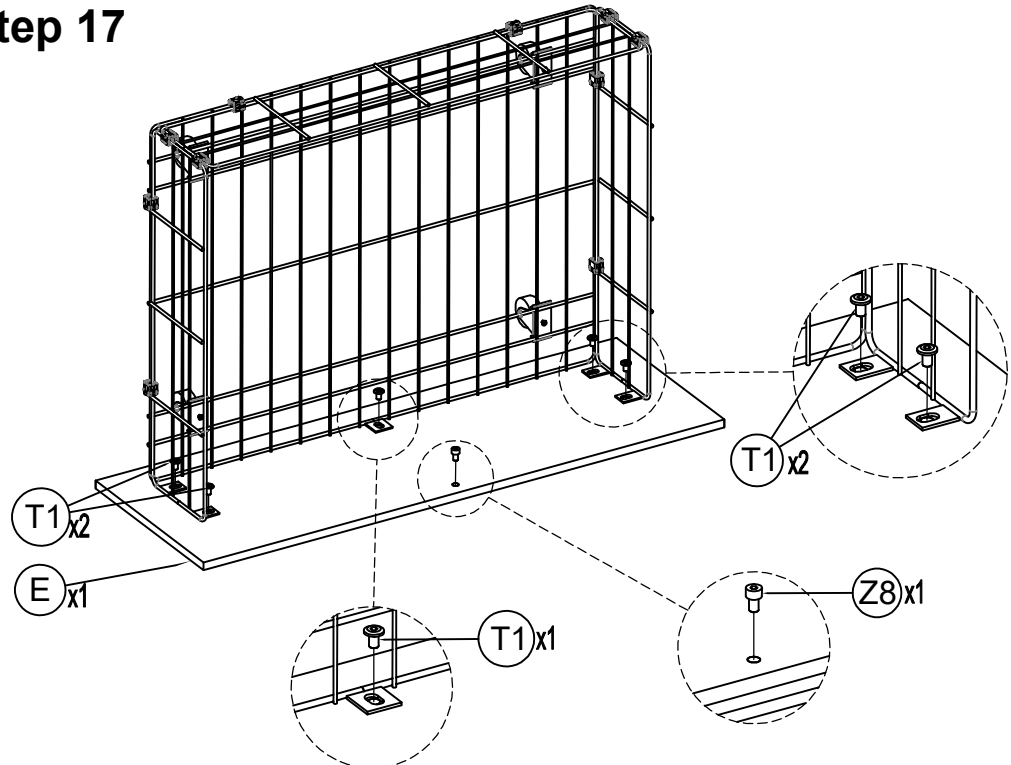
### Step 14



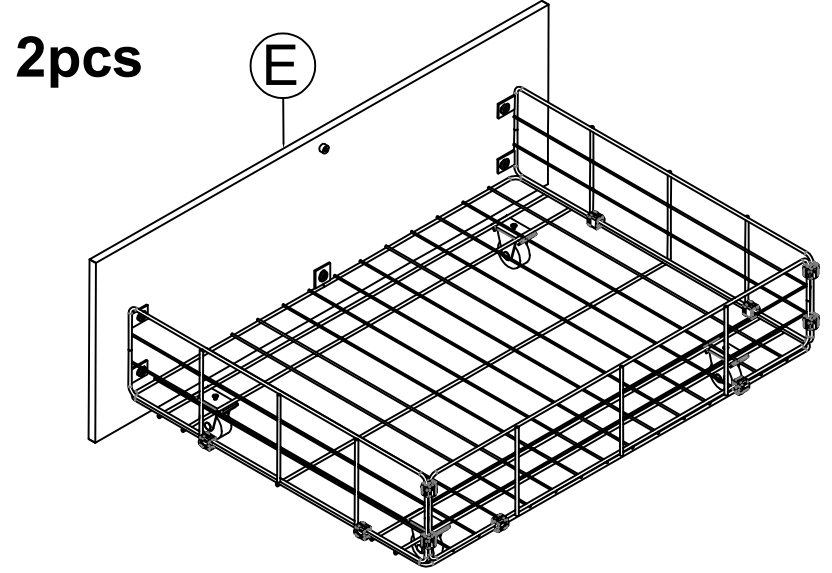
### Step 16



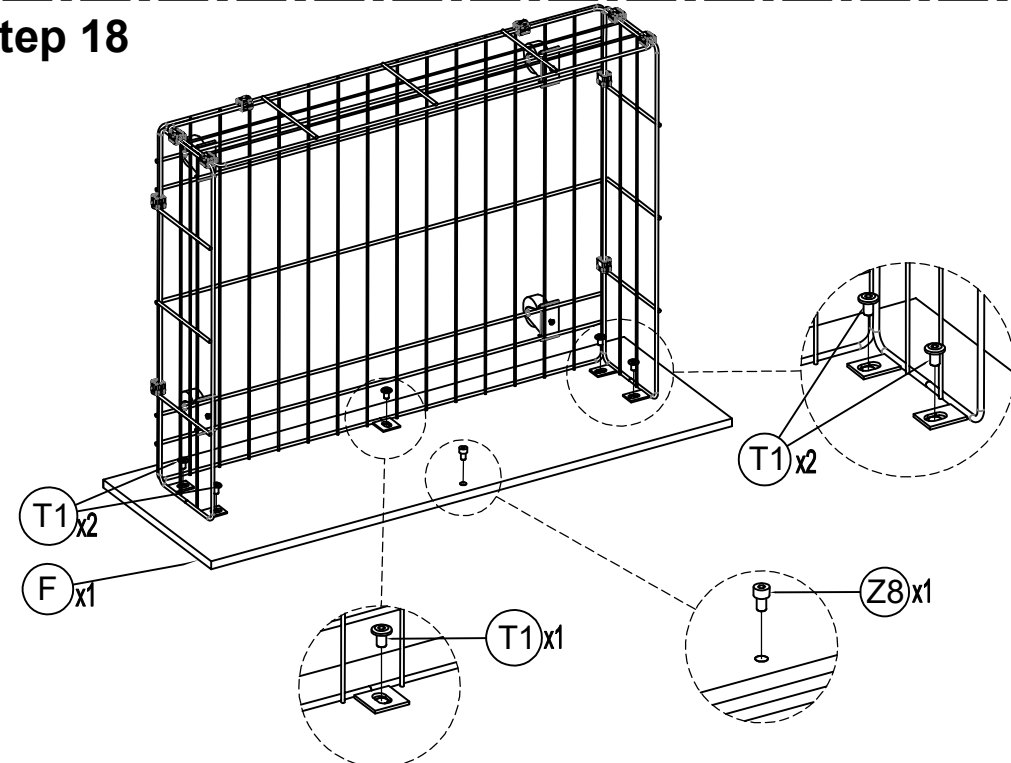
**Step 17**



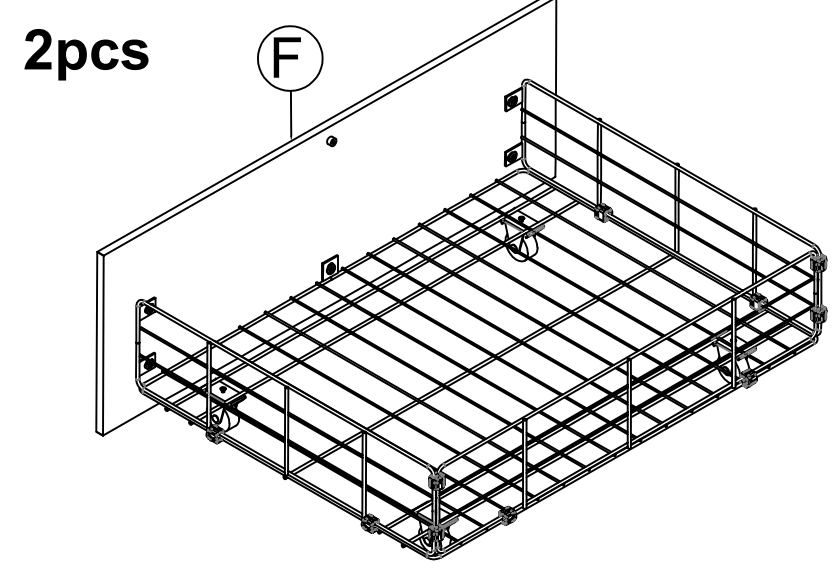
**Step 19**



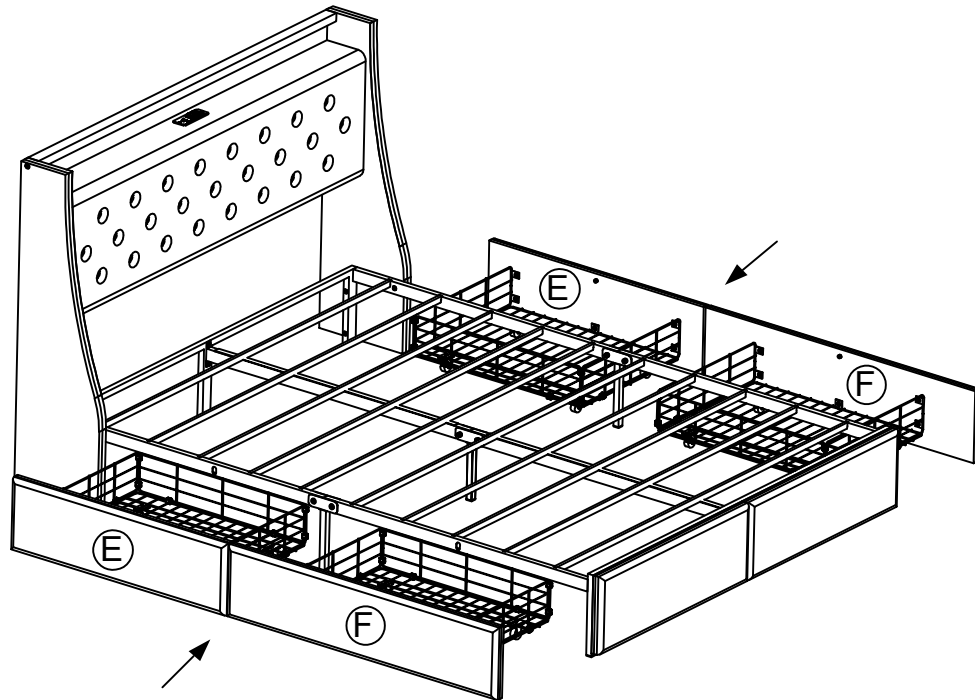
**Step 18**



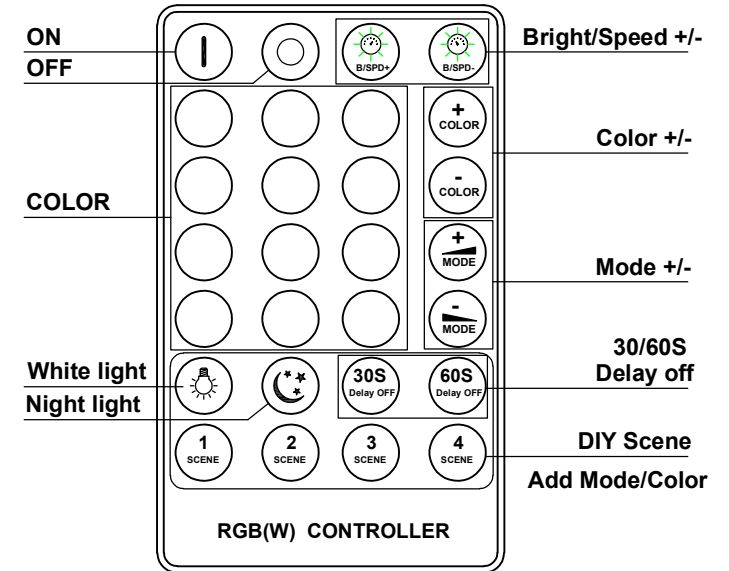
**Step 20**



# Step 21



## RGB(W) CONTROLLER



NO.	Dynamic modes	NO.	Dynamic modes
1	W+Red	7	3 colors jump
2	W+Green	8	3 colors fade
3	W+Blue	9	7 colors jump
4	W+Yellow	10	7 colors fade
5	W+Purple	11	Full colors fade
6	W+Cyan		