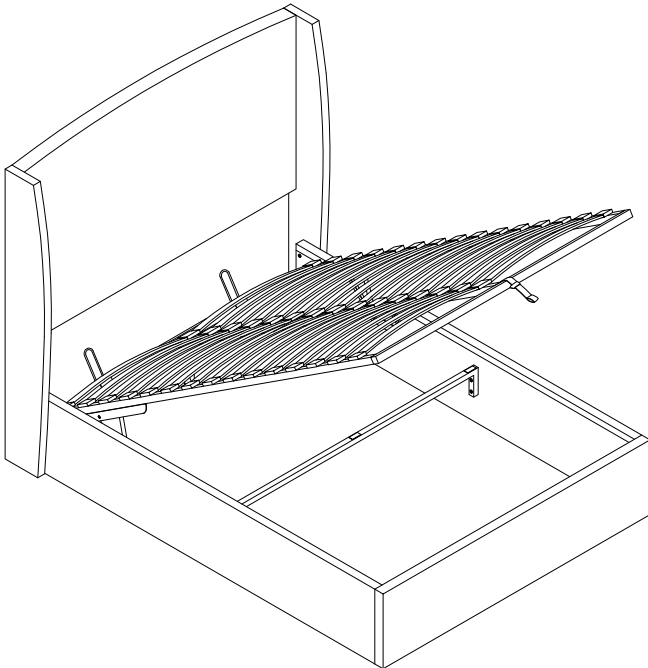


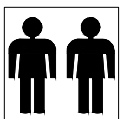
ASSEMBLY INSTRUCTION



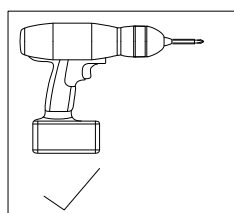
Please **TEAR OFF** this shrink film from side!
DO NOT USE CUTTER!

IMPORTANT NOTE

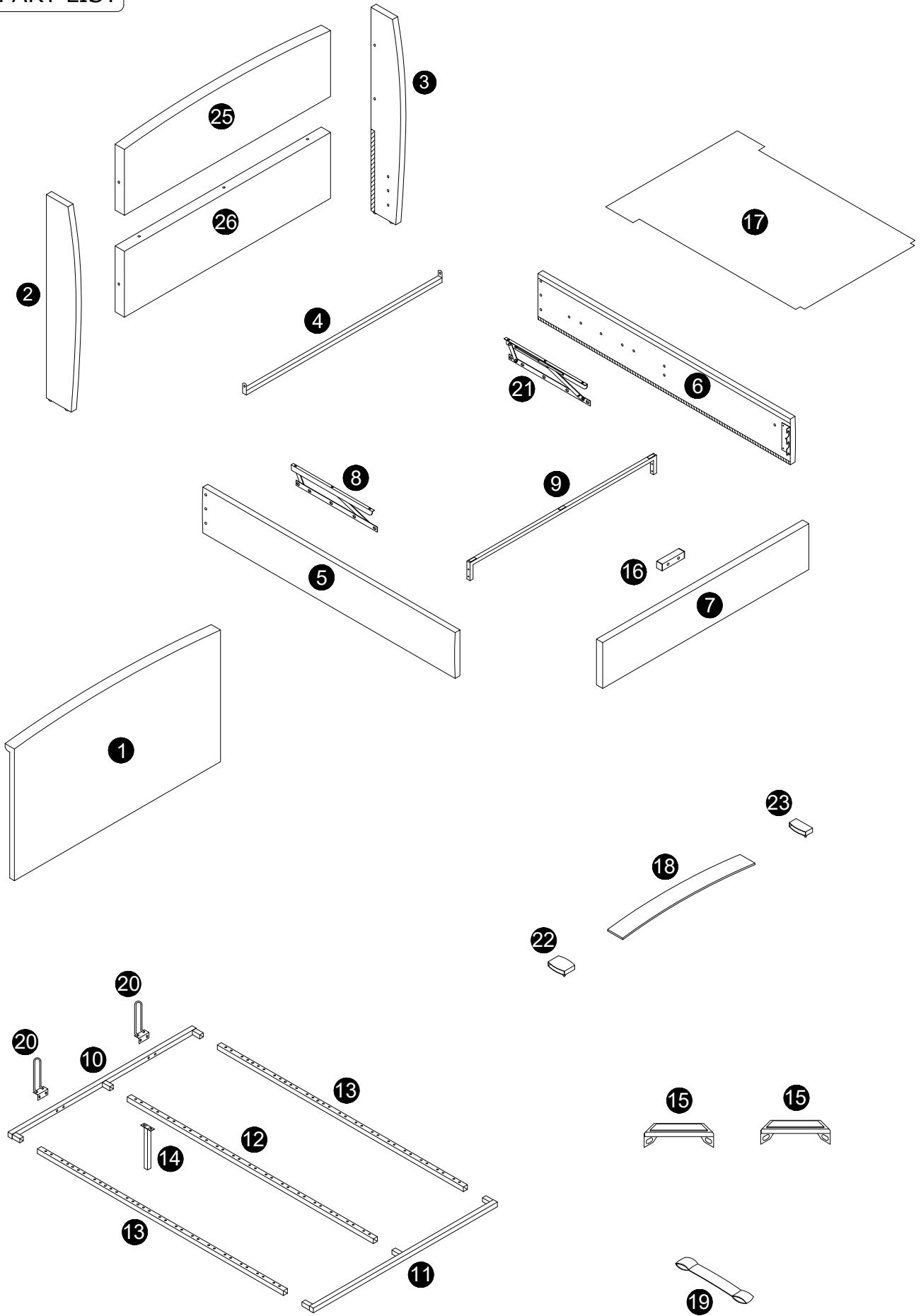
- 1. The product is shipped in two packages. Please check the number of packages received before assembly. If you are missing one package, receive a duplicate package, or have any assembly or after-sales issues, please contact 'i g'**
2. For the protection of your furniture, place all parts on a clean and smooth surface to prevent any damage.
3. Keep fittings out of children's reach and keep children well away from construction area.
4. When moving your assembled bed, it is best to lift the bed and never to drag it.
5. Do not use this product if parts are missing, damaged or worn.
6. This product should only be used on firm, level ground.
7. Please periodically check all fittings and re-tighten as necessary.
8. Do not use the bed unless all bolts and screws are firmly secured.
9. For further assistance, please provide a screenshot of your order and contact us via email



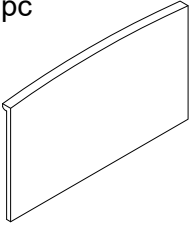
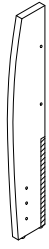
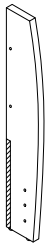
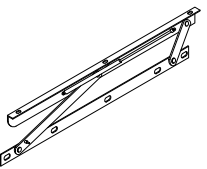
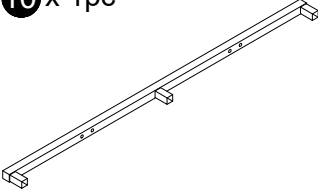
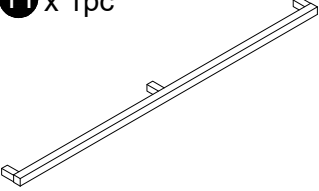
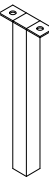
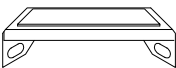
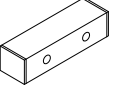
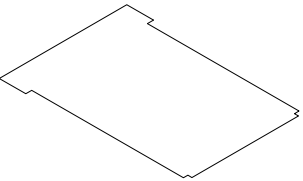
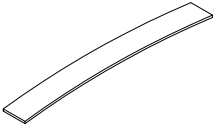
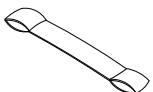

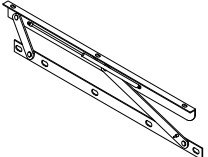

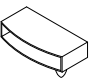
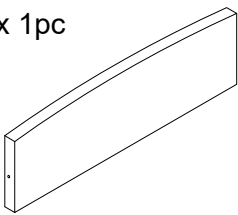
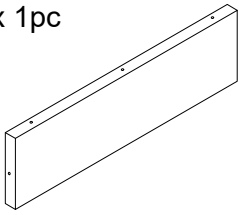
Minimum two
person assembly



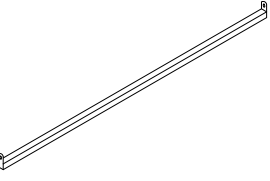
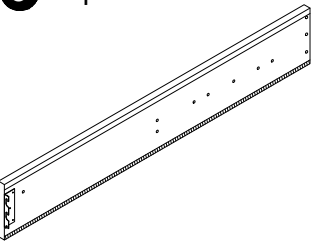
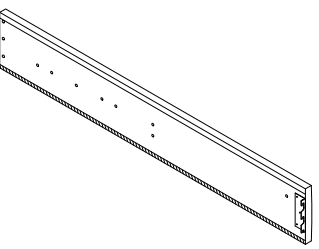
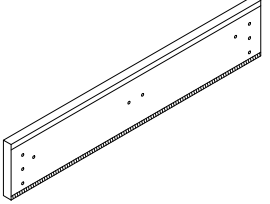
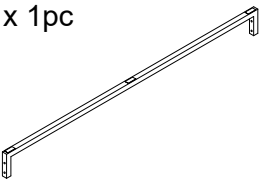
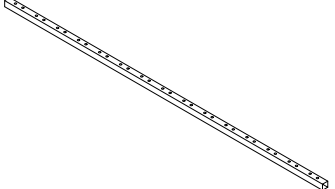
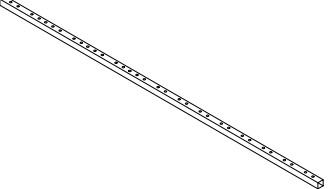
PART LIST



Components of Carton A









1 x 1pc 	2 x 1pc 	3 x 1pc 	8 x 1pc 
10 x 1pc 	11 x 1pc 	14 x 1pc (25x190mm) 	15 x 2pcs 
16 x 1pc 	17 x 1pc 	18 Double Size x 28pcs Queen Size x 30pcs 	19 x 1pc 
20 x 2pcs 	21 x 1pc 	22 Double Size x 14pcs Queen Size x 15pcs 	23 Double Size x 28pcs Queen Size x 30pcs 
25 x 1pc 	26 x 1pc 		

Components of Carton B

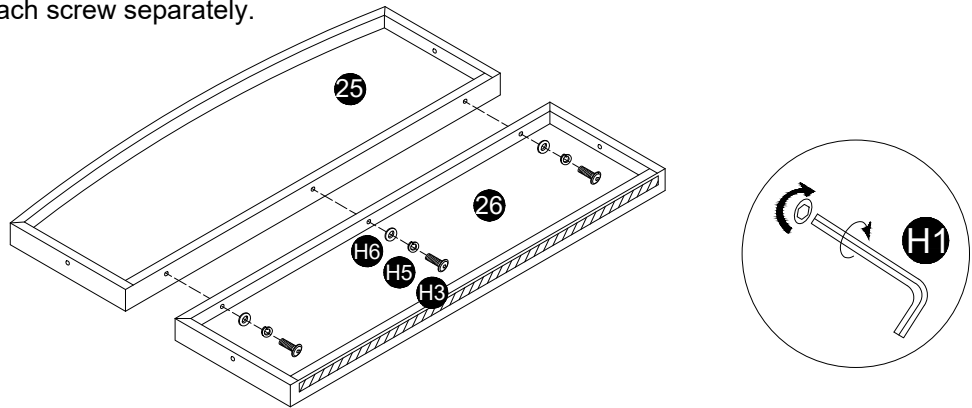
4 x 1pc 	5 x 1pc 	6 x 1pc 	7 x 1pc 
9 x 1pc 	12 x 1pc 	13 x 2pcs 	

Please ensure to thoroughly inspect the small inner cardboard box containing the hardware, which are tied with a red string, before disposing of the box.

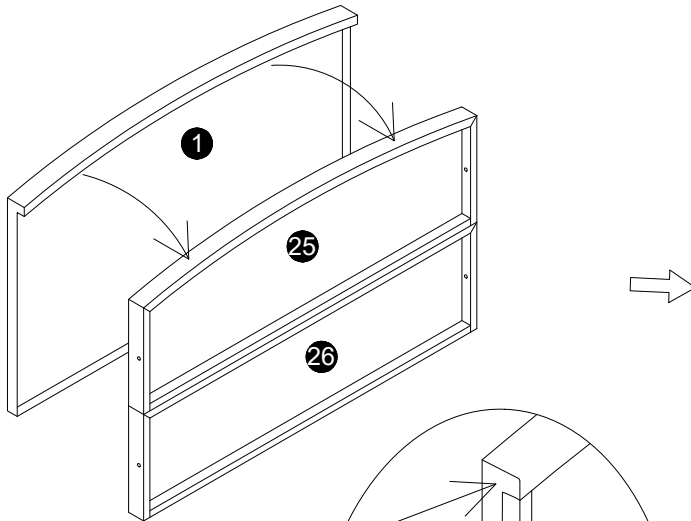
HARDWARE LIST

 H1 M5 x 1pc	 H2 M8x25mm x38pcs	 H3 M8x40mm x 7pcs	 H4 M8x50mm x 18pcs
 H5 M8 x 13pcs	 H6 M8x22mm x 13pcs	 H7 M8 x 6pcs	 H8 M14 x 1pc

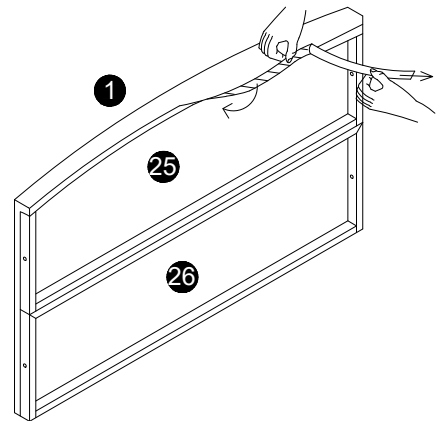
1 As shown in the diagram, align the screws with the corresponding holes and pre-fix them. Then, tighten each screw separately.



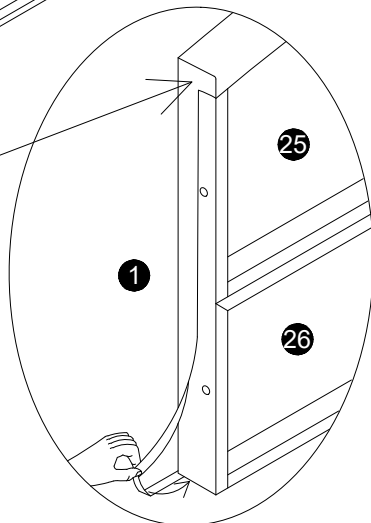
2 Slide the fabric cover (Part 1) over the headboard until it reaches the bottom, ensuring a full and secure fit.



At the back of the Part 1, peel away the fabric strip covering the Velcro while pressing the Velcro firmly onto the headboard.

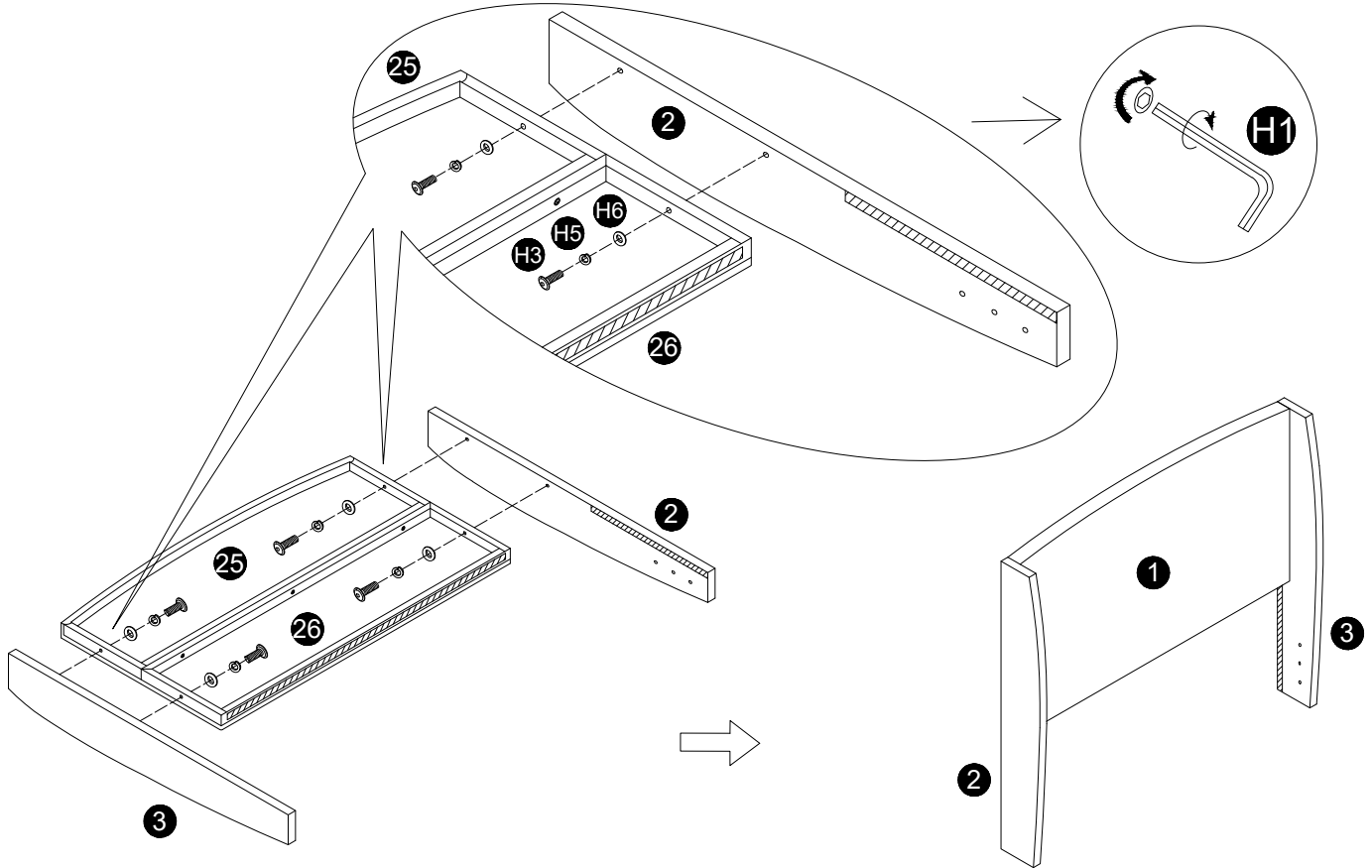


The cloth cover is big on top and small on the bottom.

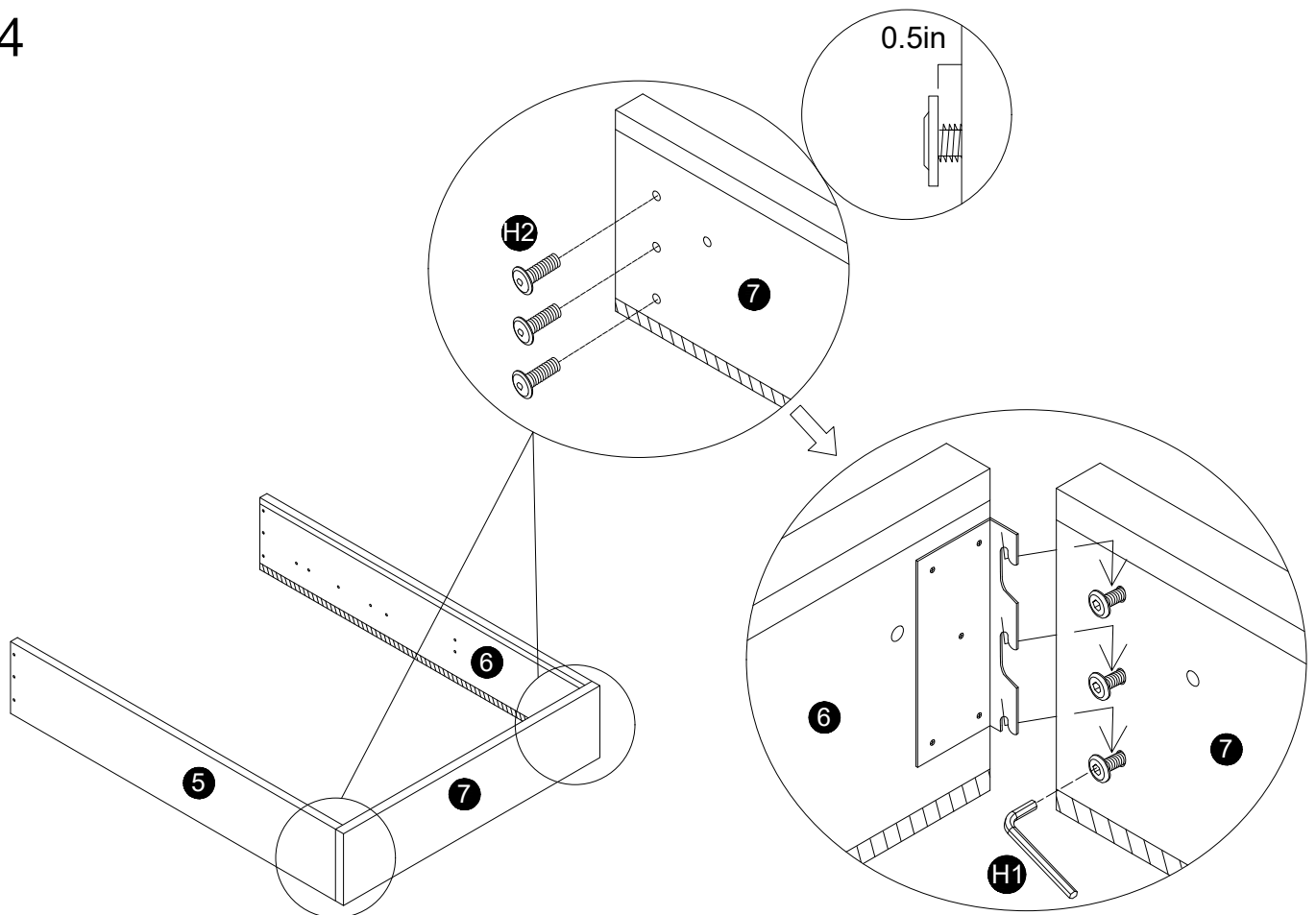


3

As shown in the diagram, align the screws with the corresponding holes and pre-fix them. Then, tighten each screw separately.



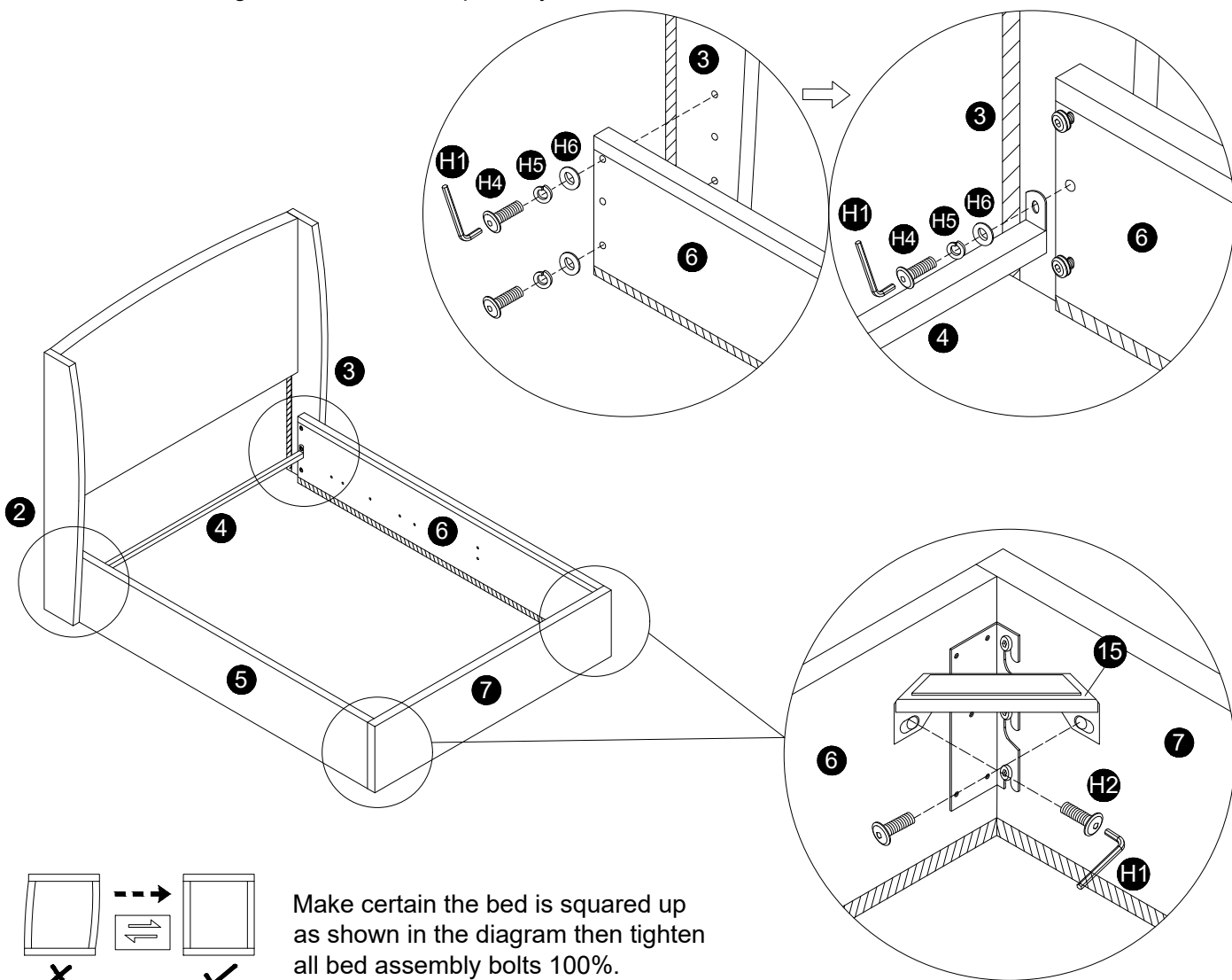
4



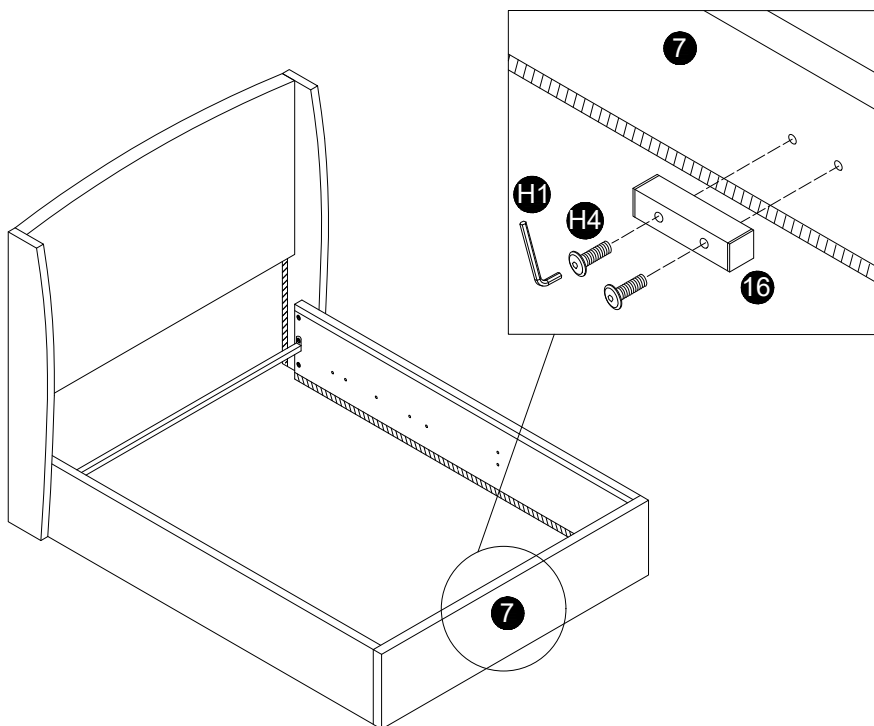
5

5

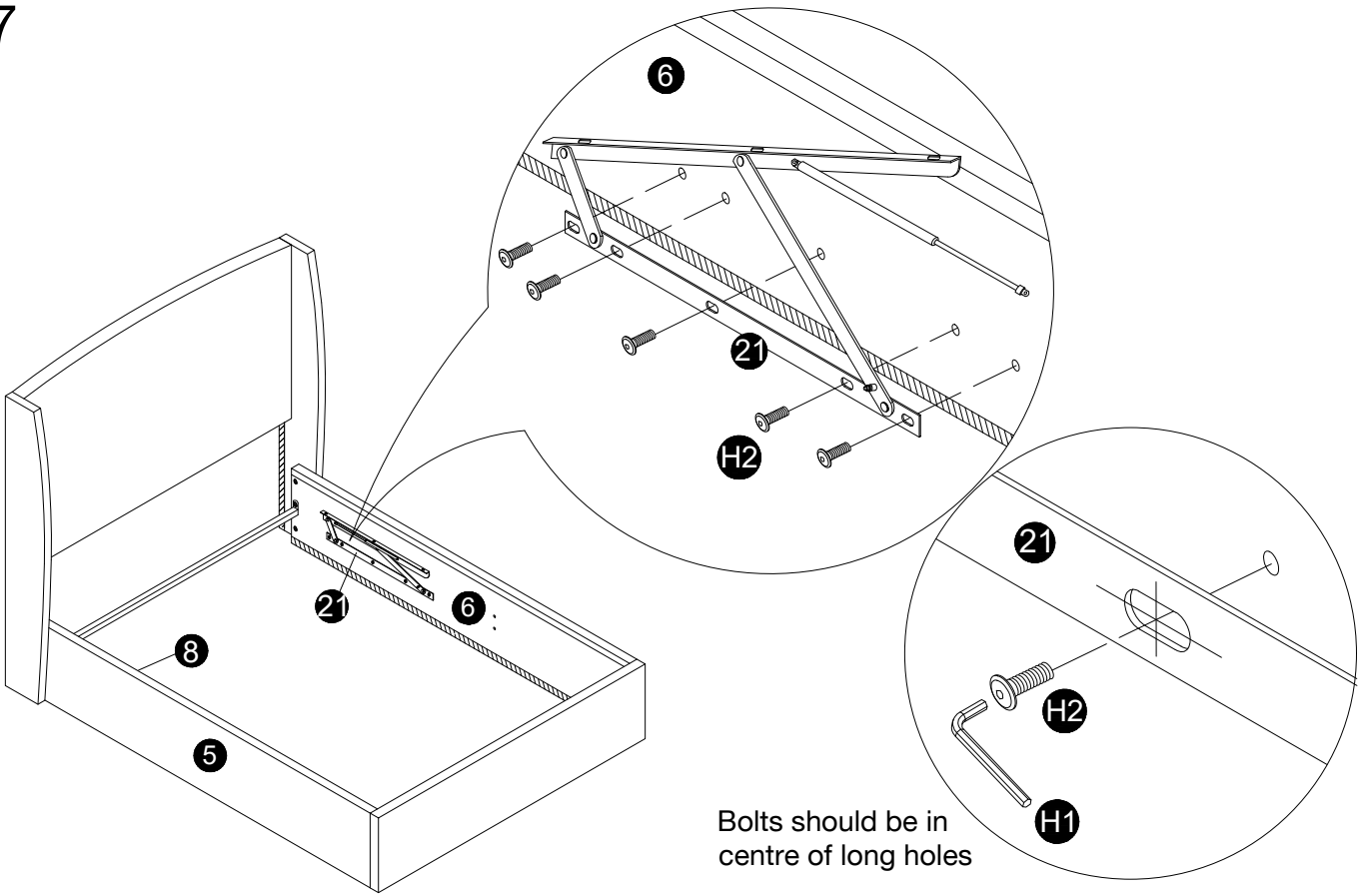
As shown in the diagram, align the screws with the corresponding holes and pre-fix them. Then, tighten each screw separately.



6

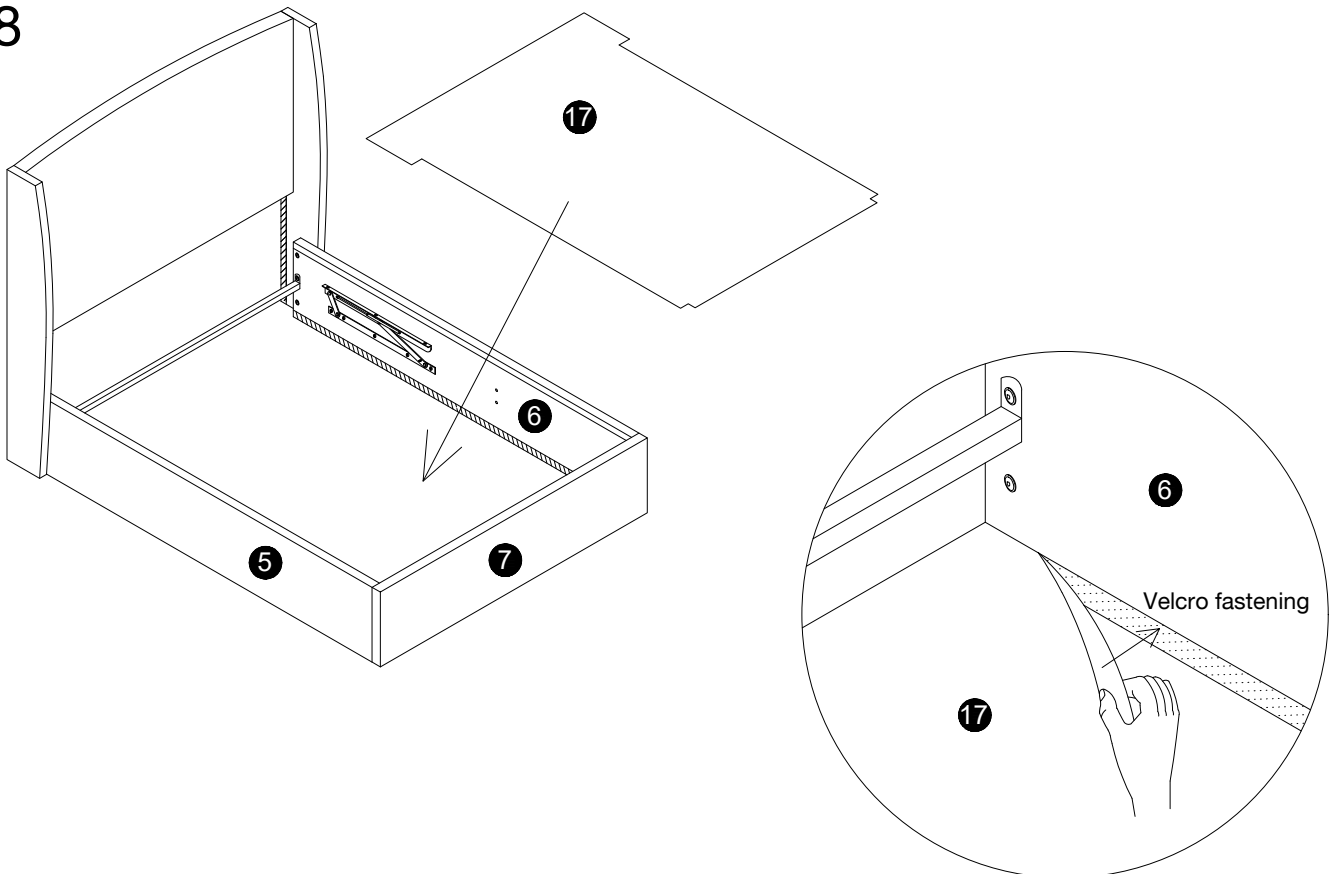


7

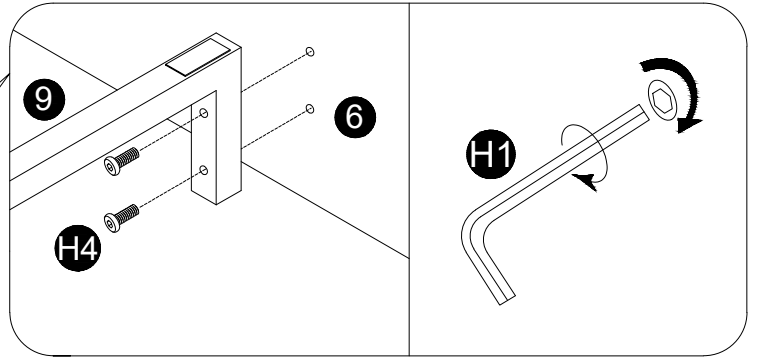
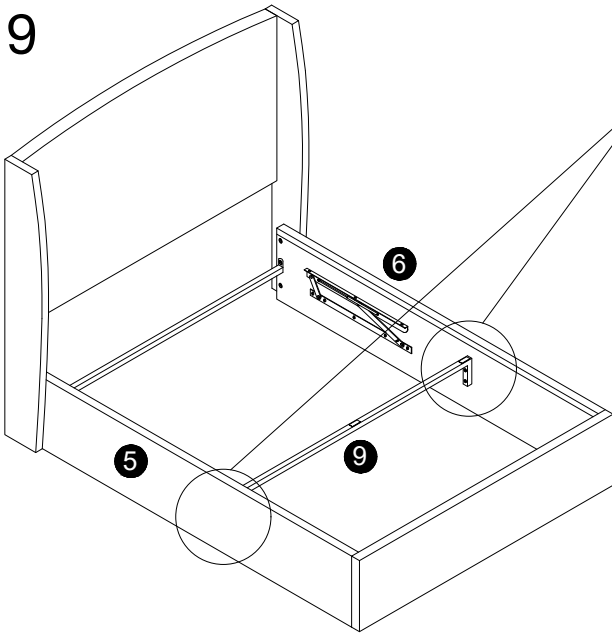


Bolts should be in centre of long holes

8

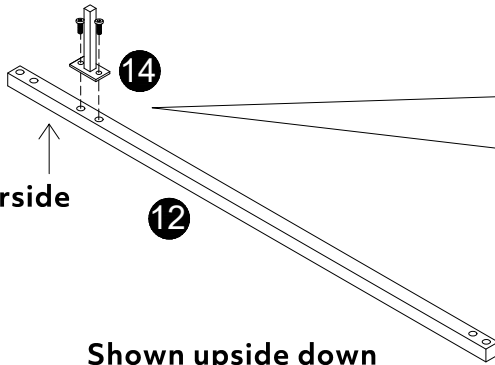


9

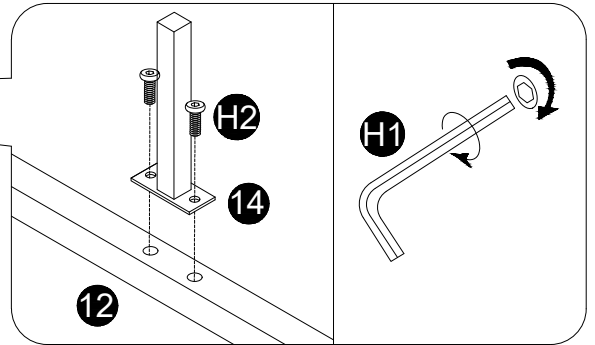


10

Holes on underside



Shown upside down



11

Headboard end

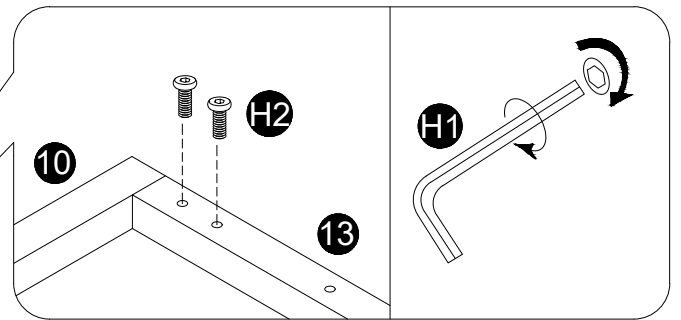
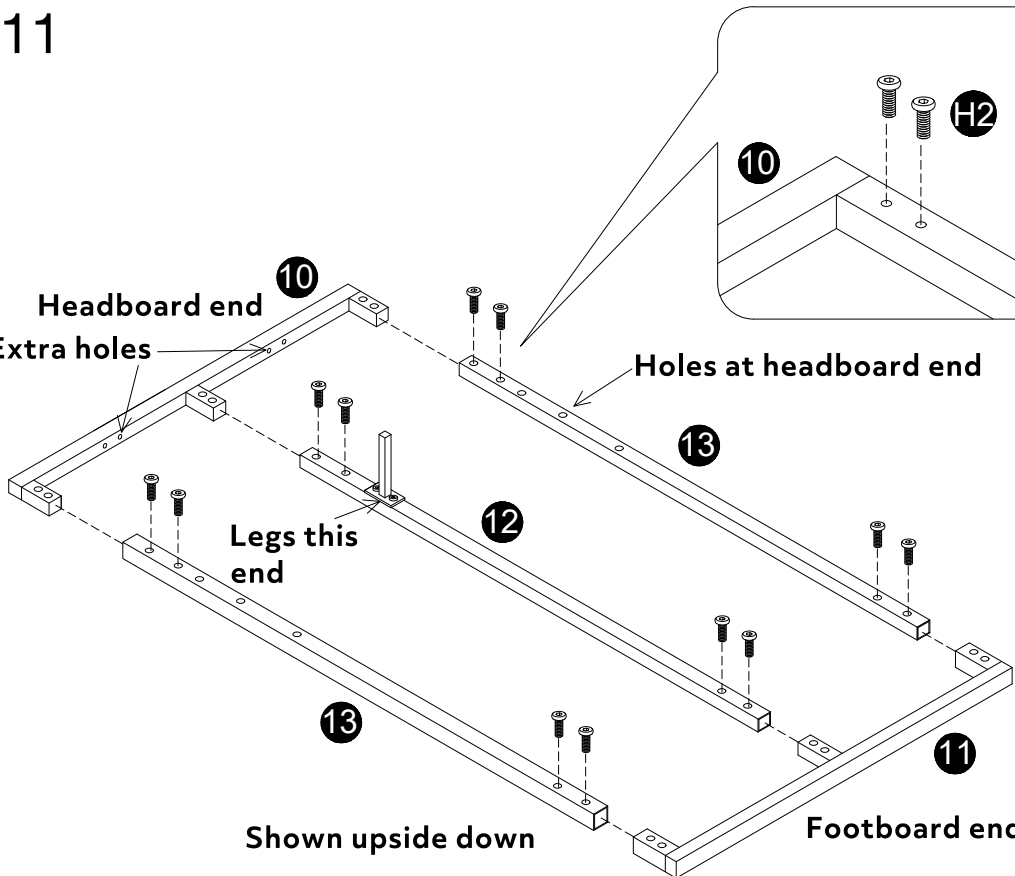
Extra holes

Holes at headboard end

Legs this end

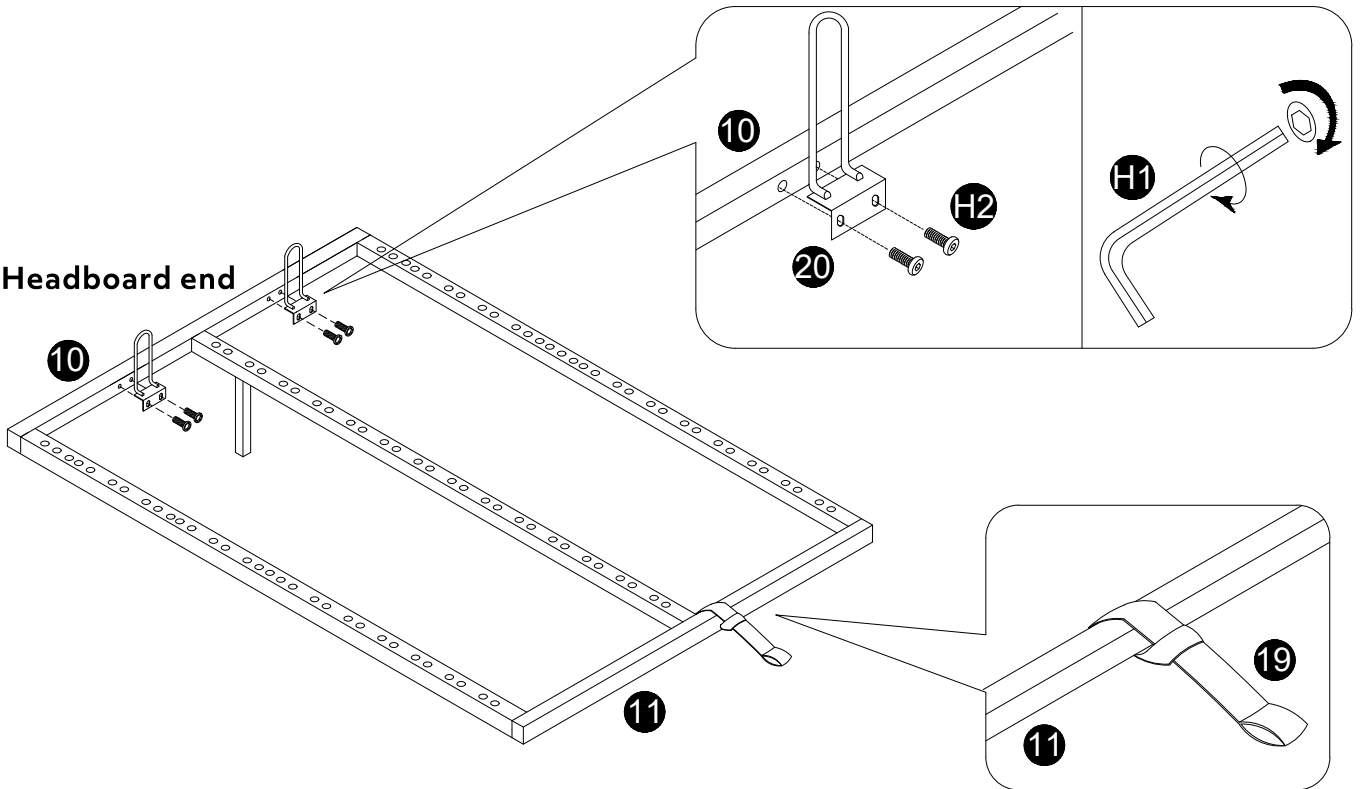
Shown upside down

Footboard end

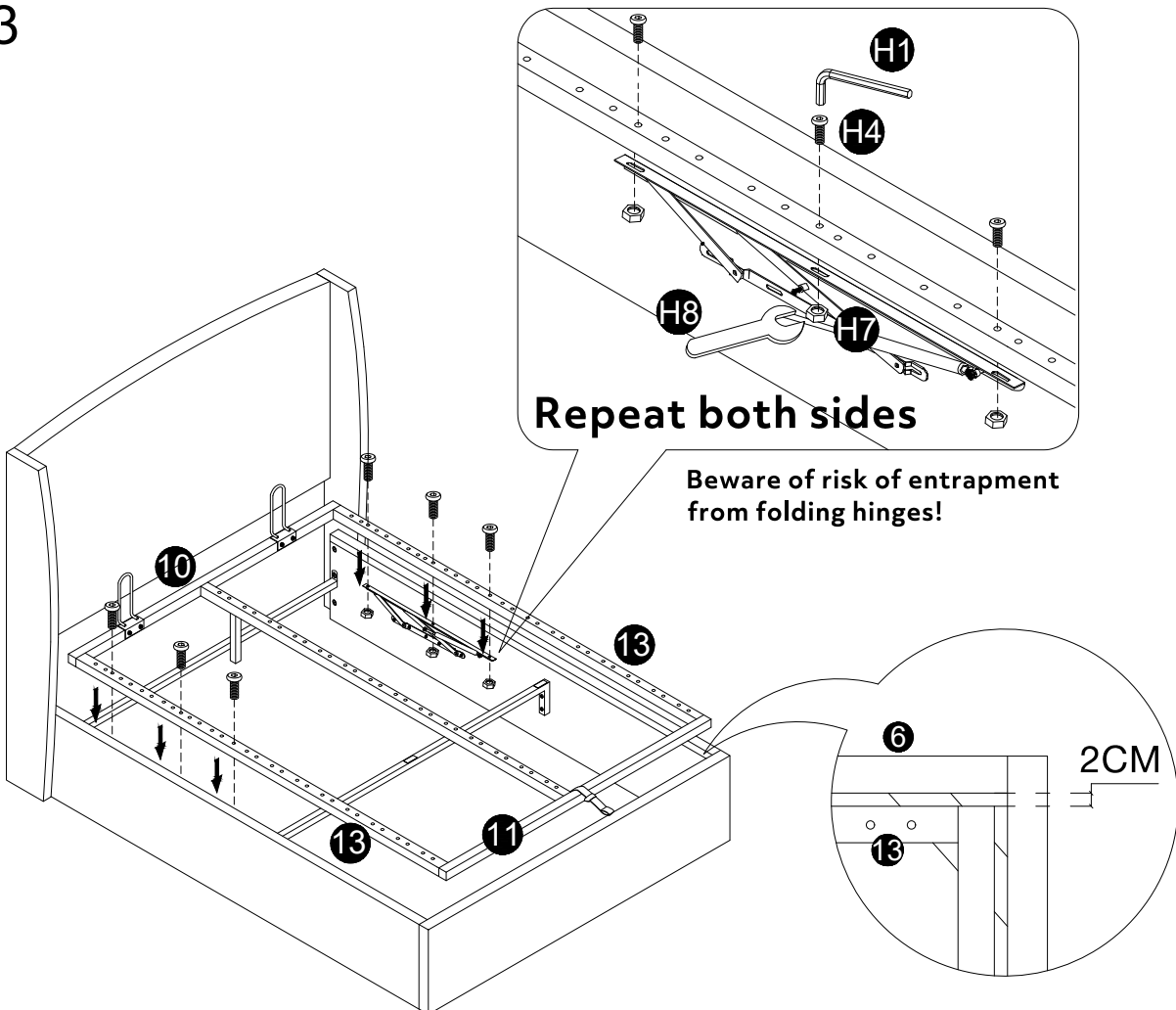


12

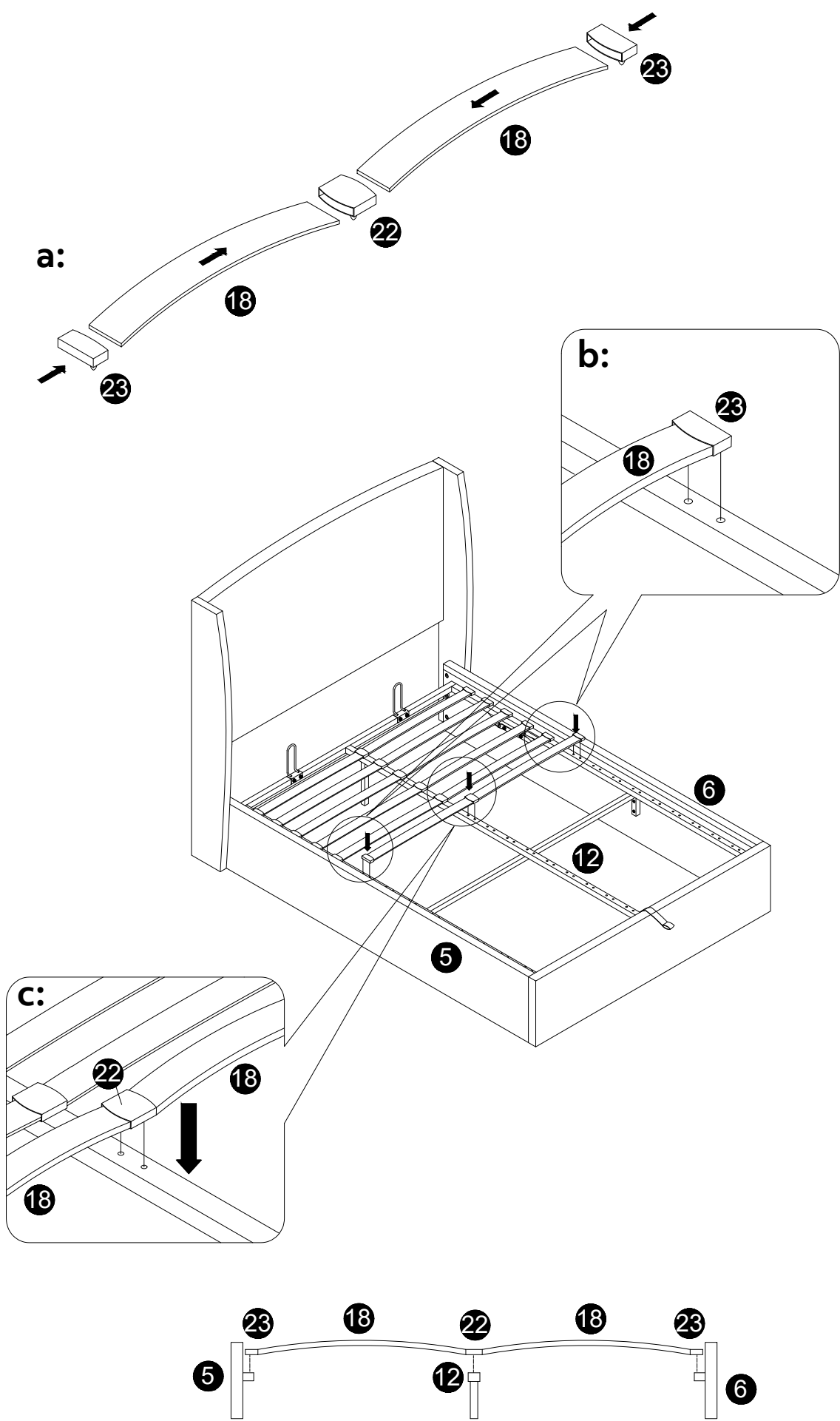
Headboard end



13

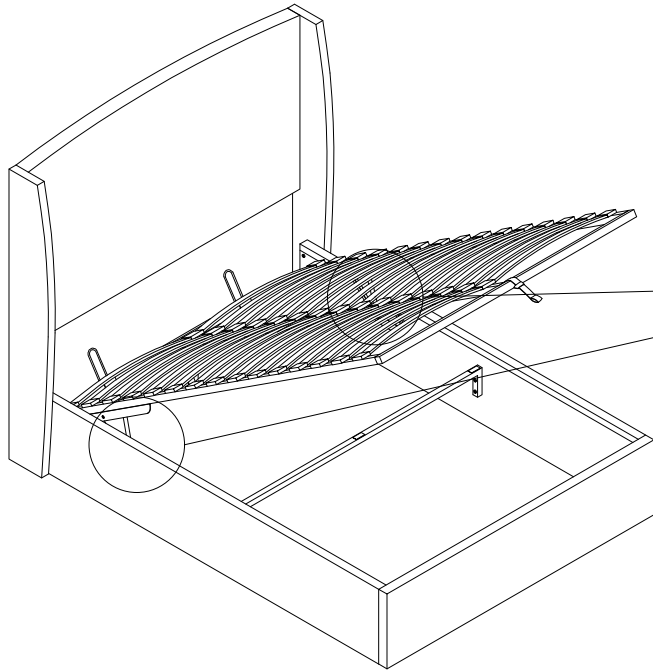


14

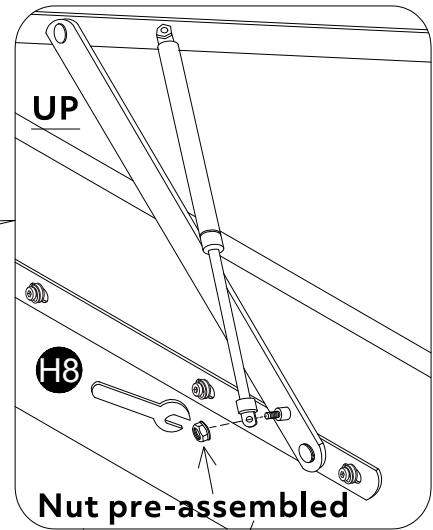


Slats to arch upwards

15



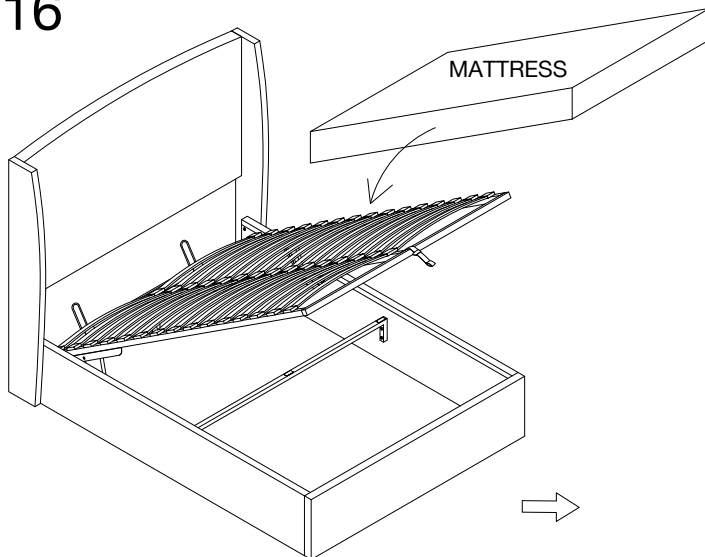
Warning: Two people required. Frame to be fully supported at all times!



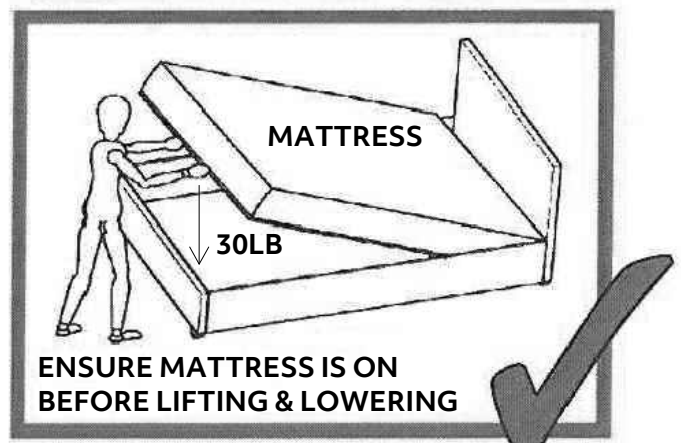
Repeat both sides


Important: Before proceeding, check and ensure all screws and fixings are fully tightened.

16



After placing the mattress on frame, push down the frame with 30lbs force.



 Only lift when the mattress is in place.
Place mattress & Carefully lower frame down.
Keep objects/body part & children away from moving parts.

Job Complete !

In the interest of our environment please dispose of all packaging thoughtfully.