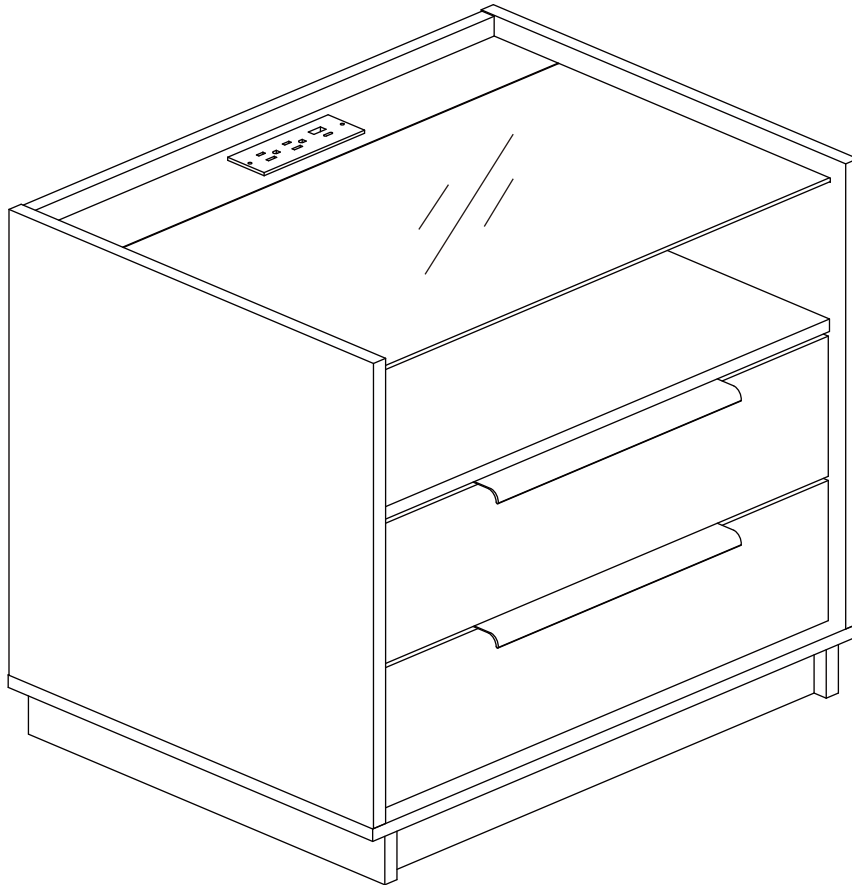


2 Drawer Cabinet

Assembly Instructions - Please keep for future reference



Dimensions

Width - 23.6 inch

Depth - 17.7 inch

Height - 20.1 inch

Contact Us

Please include the following information for faster assistance:

- Order number
- Purchase platform
- Purchase date
- Detailed description of the issue along with photos

Important – Please read these instructions fully before starting assembly



Safety and Care Advice

Important – Please read these instructions fully before starting assembly

- Check you have all the components and tools listed on the following pages.
- Remove all fittings from the plastic bags and separate them into their groups.
- Keep children and animals away from the work area, small parts could choke if swallowed.
- Make sure you have enough space to layout the parts before starting.
- During assembly do not stand or put weight on the product, this could cause damage.
- Assemble the item as close to its final position (in the same room) as possible.
- Assemble on a soft level surface to avoid damaging the unit or your floor.
- Parts of the assembly will be easier with 2 people.



- To reduce the likelihood of damaging your product please ensure that your power drill is set on a low torque setting.

Care and maintenance

- Only clean using a damp cloth and mild detergent, do not use bleach or abrasive cleaners.
- From time to time check that there are no loose screws on this unit.
- This product should not be discarded with household waste. Take to your local authority waste disposal centre.

Handy Hints

- Assemble all parts and bolts loosely during assembly, only once the product is complete should you fully tighten the bolts.
- Regularly check and ensure that all bolts and fittings are tightened properly.

WARNING In order to help prevent overturning – please follow these instructions

To help prevent product toppling over please follow the below steps:-

Use the anti tip strap or wall fixing method provided (if applicable)
Do not allow children to climb or hang on the furniture
Do not open more than one drawer at a time
Do not place heavy items in the top drawers
Do not place heavy items on top of the furniture, unless the furniture has been designed for this purpose

Please note that only the anti tip strap is provided.
You will need to provide wall plugs and screws applicable for your wall type

CUSTOMER SERVICE GUIDE

Thank you for choosing our product! We are committed to providing you with excellent service. If you find any missing parts, damaged packaging, or product damage after receiving all packages, please follow the steps below to quickly contact our customer service team. We will do our best to resolve your issue.

1. Missing Parts

Verify Parts:

1. Refer to the "Parts List" in the manual to verify the name, specifications, and quantity of the missing parts.
2. Take a clear photo of the parts list and mark the missing parts with detailed information, e.g., "Missing 5 pieces of M6x30mm screws."

Contact Us:

- By Email:

Send an email to us, with the subject line "Missing Parts Issue." Include the following in the email:

- A description of the missing parts and a photo of the parts list.
- Order details (order number, purchase platform, purchase date).

2. Product or Packaging Damage

If it affects normal use:

Steps:

1. Take clear photos or videos showing the damaged parts and the extent of the damage (multi-angle shots are recommended).
2. Email the photos/videos along with other details to us, with the subject line "Product Damage Issue."

Resolution:

After verification, we will arrange for a replacement part, product exchange, or refund as quickly as possible.

If it does not affect normal use:

Steps:

1. Contact our customer service team (by email).
2. Provide a description of the damage and include relevant photos or videos.

Resolution:

We will provide repair guidance or an appropriate compensation plan based on the specific situation.

Helpful Tips

To process your issue efficiently, please prepare the following information:

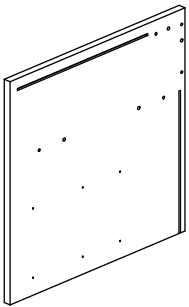
- Order details (order number, purchase platform, purchase date).
- Clear photos or videos.
- We are committed to providing quick and professional solutions, no matter the size of the issue, to ensure your satisfaction.

Thank you for your trust and support! We hope you enjoy using our product!

Components - Panels

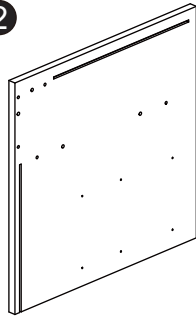
Please check you have all the panels listed below

1



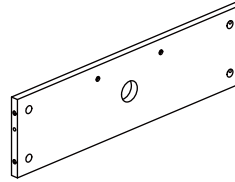
(450*448*15mm x1)

2



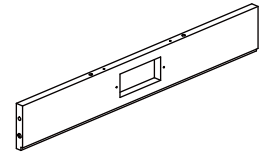
(450*448*15mm x1)

3



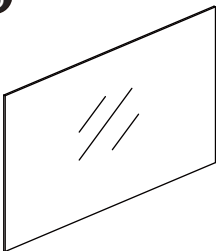
(568*155*15mm x1)

4



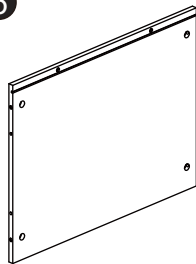
(568*85*15mm x1)

5



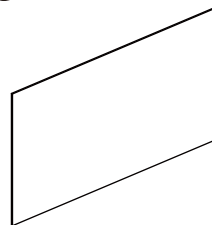
(585*333*4mm x1)

6



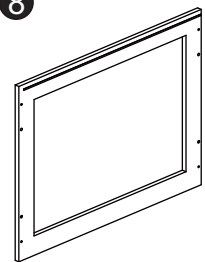
(568*430*12mm x1)

7



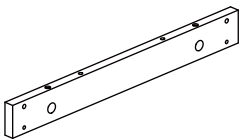
(578*287*3mm x1)

8



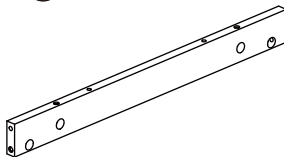
(600*450*12mm x1)

9



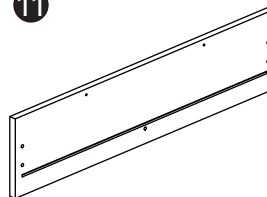
(440*50*15mm x2)

10



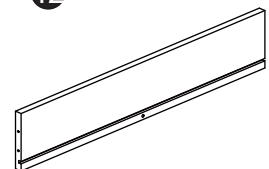
(530*50*15mm x2)

11



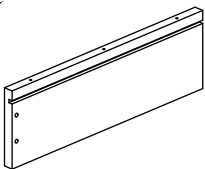
(565*135*12mm x2)

12



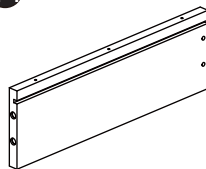
(522*96*12mm x2)

13



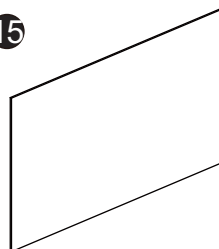
(300*96*12mm x2)

14



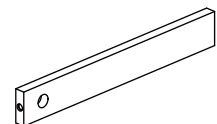
(300*96*12mm x2)

15



(530*295*3mm x2)

16

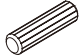
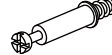

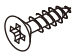
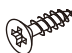
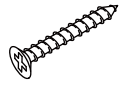
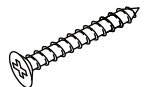
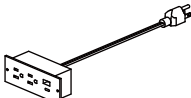
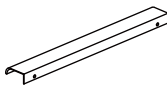
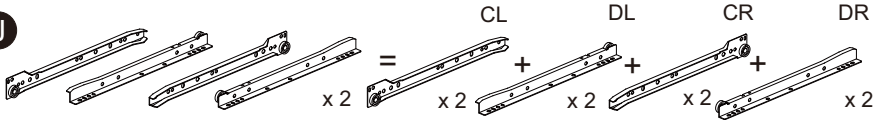
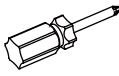


(284*40*12mm x2)

Components - Fittings

Please check you have all the fittings listed

Note: The quantities below are the correct amount to complete the assembly. In some cases more fittings may be supplied are required.

A  6*30mm Wooden Dowel x 28	B  6*35mm Cam Bolt x 32	C  Cam Lock x 32
D  4*12mm Screw x 6	E  3*12mm Screw x 24	F  4*35mm Screw x 10
G  4*40mm Screw x 8	H  x 1	I  x 2
J 		K  x 1

Tools required



Phillips screwdriver
(medium & large)

Ruler - Use this ruler to help correctly identify the screws

mm

0 5 10 15 20 25 30 35 40 45 50 55 60 65 70 75 80 85 90 95 100 105 110 115 120 125 130 135 140 145 150 155 160 165 170



The screws length is measured from the head to the point (30mm screw shown).

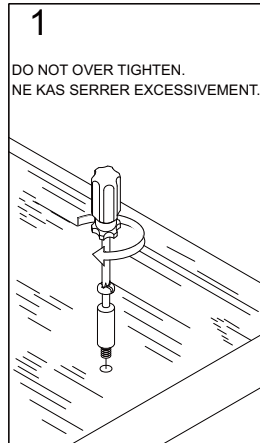
0 1 2 3

inch

Using Camlocks

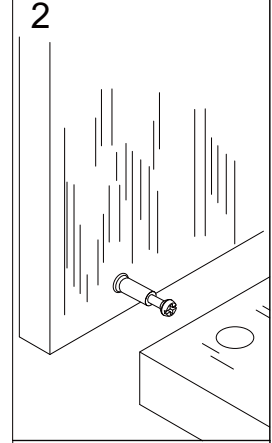
Step 1

Connect the male camlock as directed in the assembly instructions using a screwdriver.



Step 2

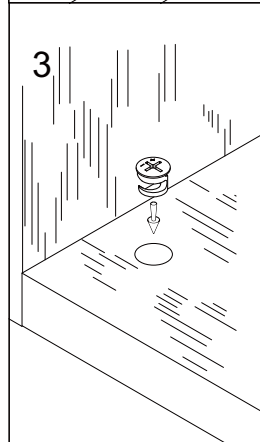
Push the male camlock into the entry hole.



Step 3

Insert the female camlock as shown in the instructions.

Note: ensure that the arrow on the top of the camlock points towards the entry hole for the male camlock.

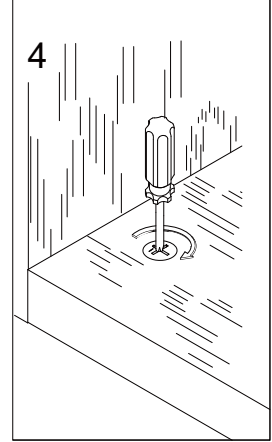


Step 4

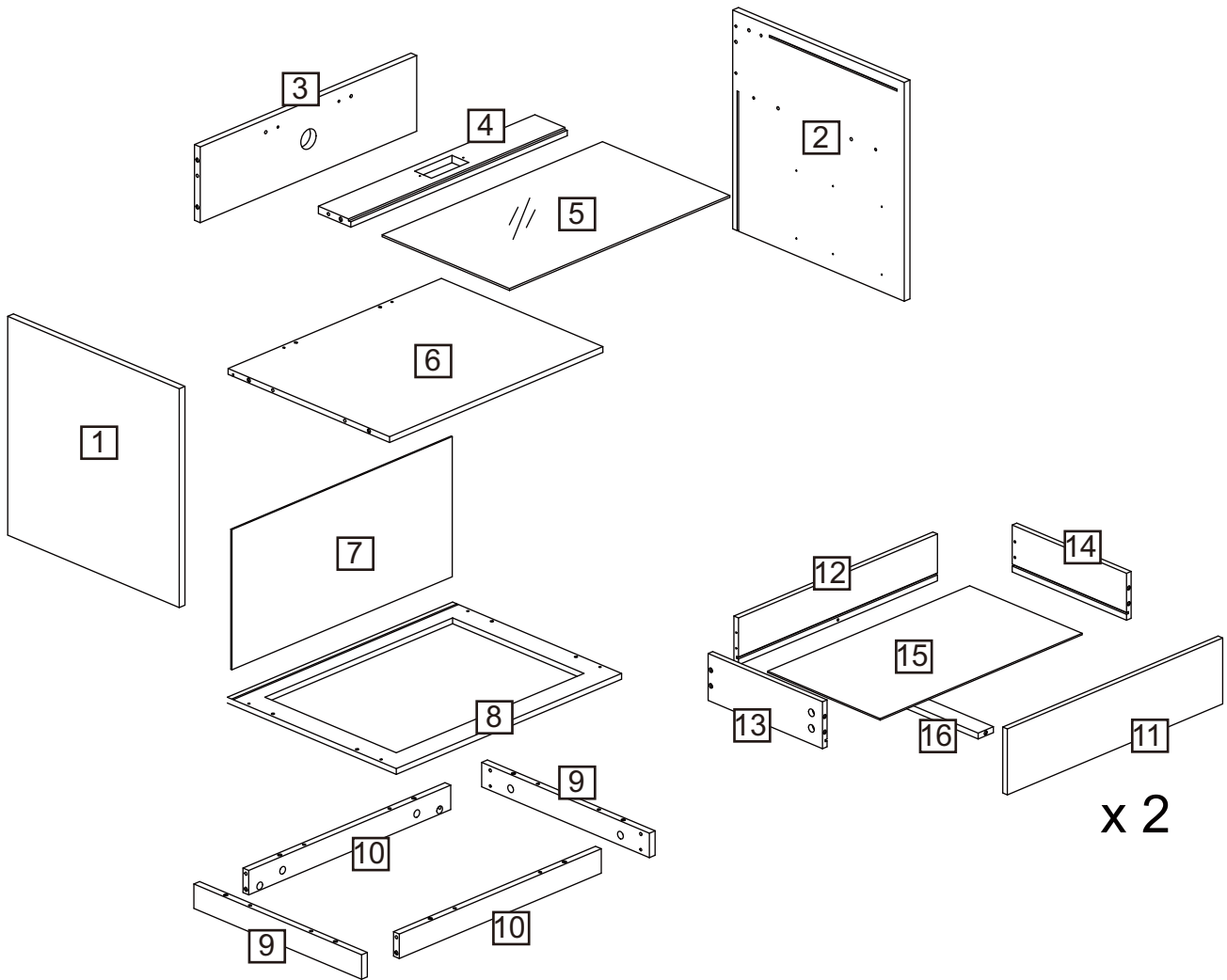
Turn the female camlock clockwise with a screwdriver.

You should feel a click when the camlock is locked in place.

The joint is now secure.



Assembly Instructions

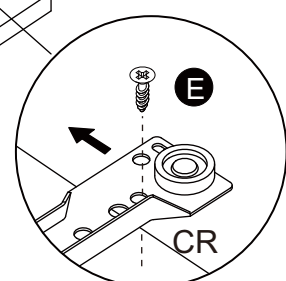
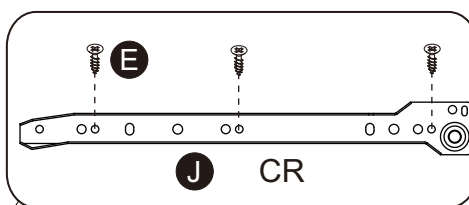
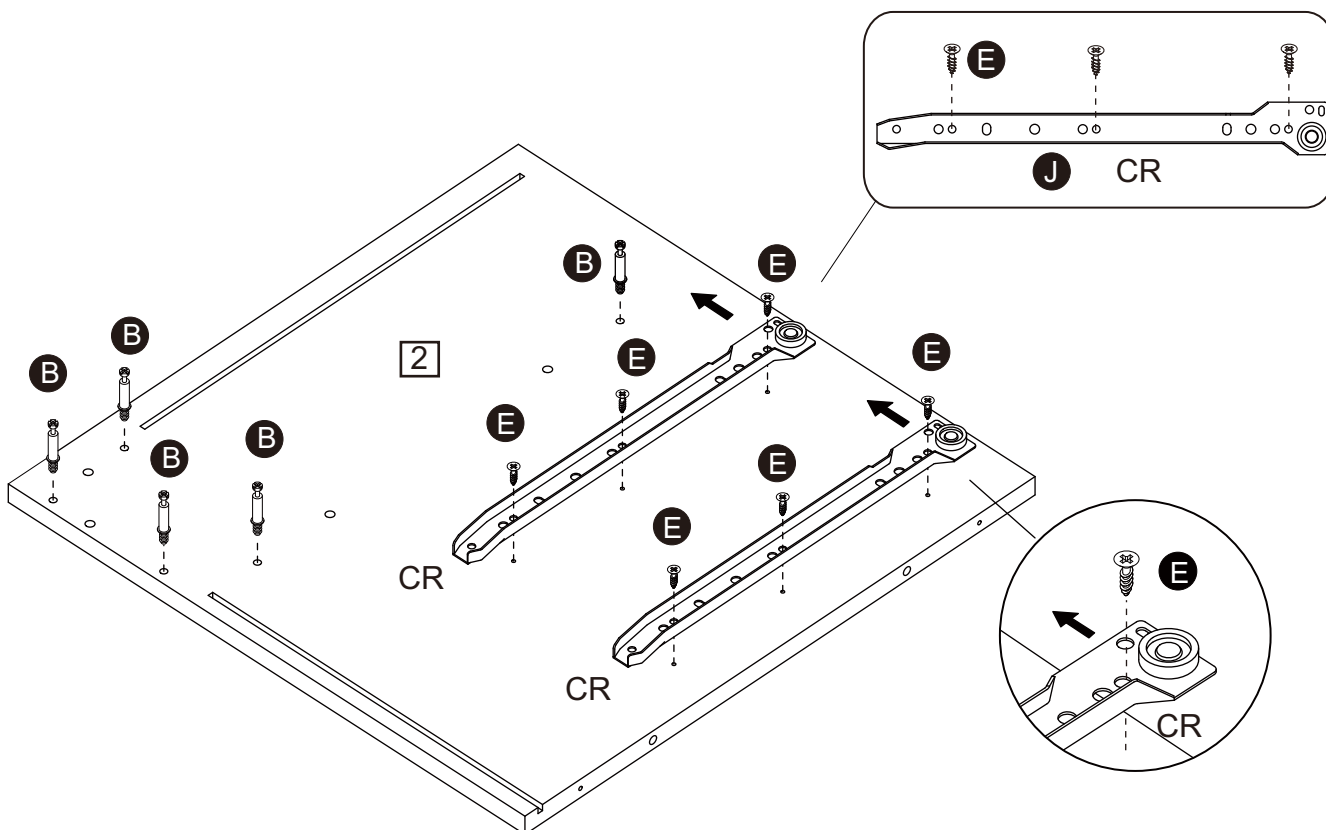
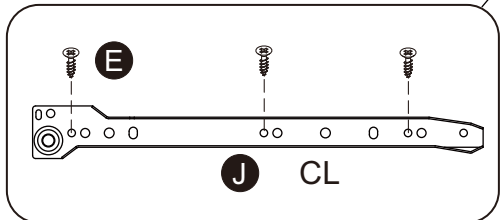
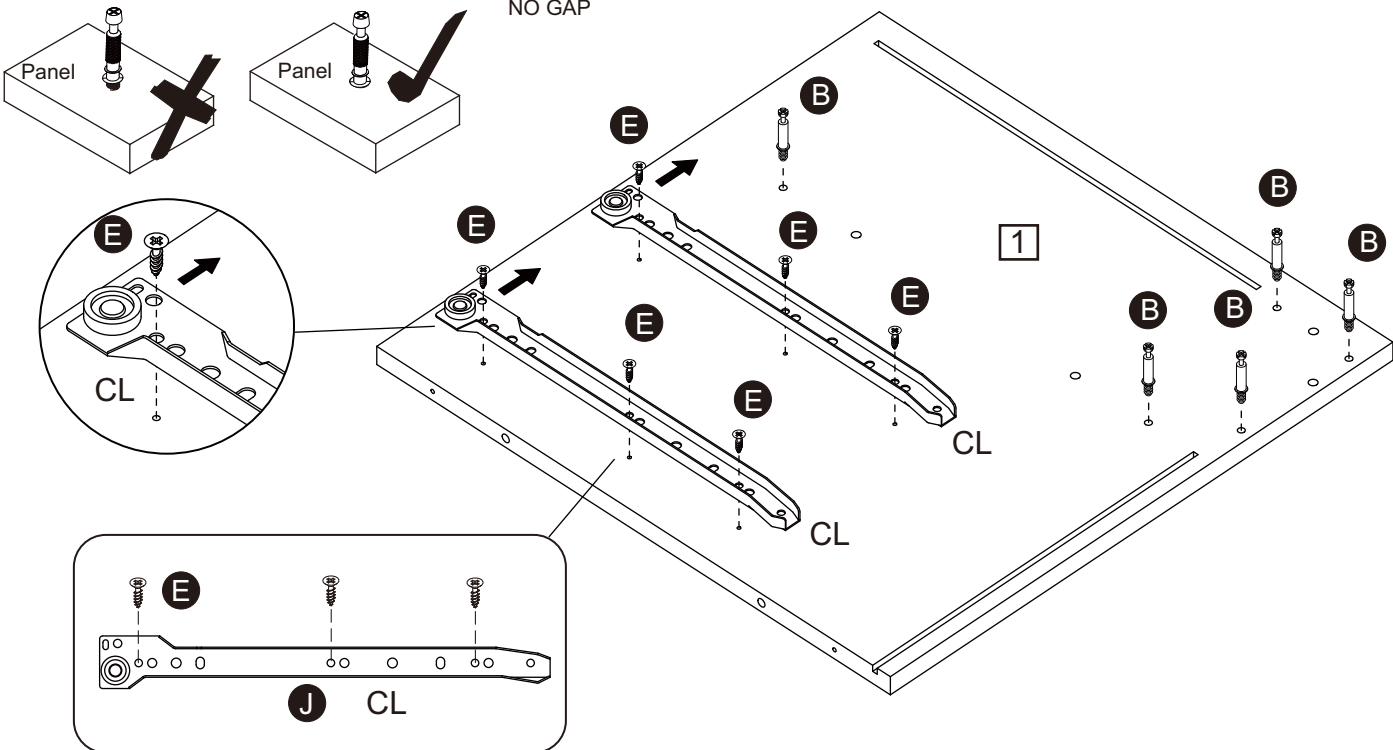
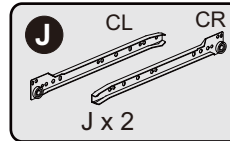
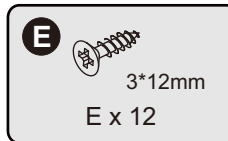
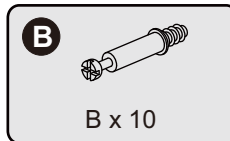
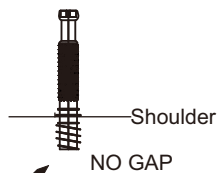
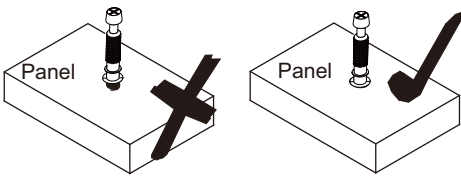


Assembly Instructions

Step 1

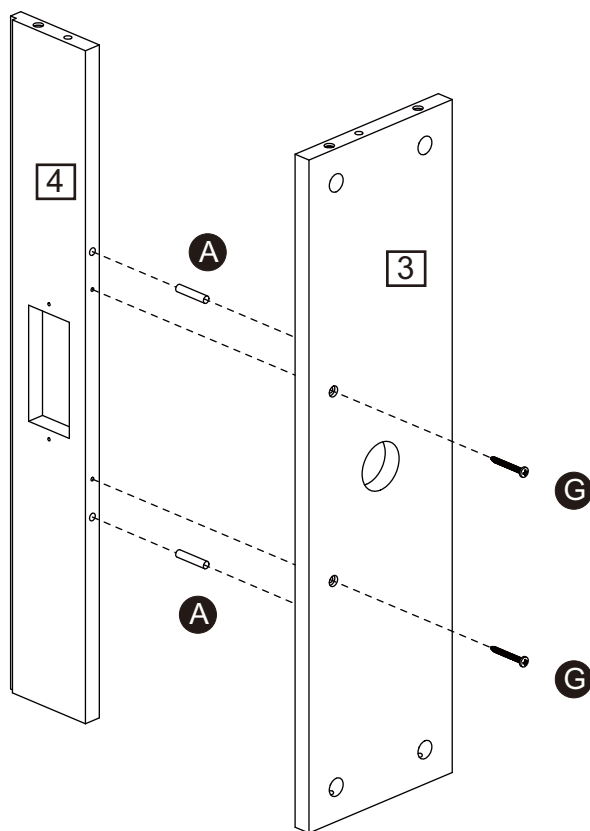
CAM-LOCK

Tighten until shoulder is flush with panel. Do not overtighten or undertighten (see example below)



Assembly Instructions

Step 2



A



A x 2

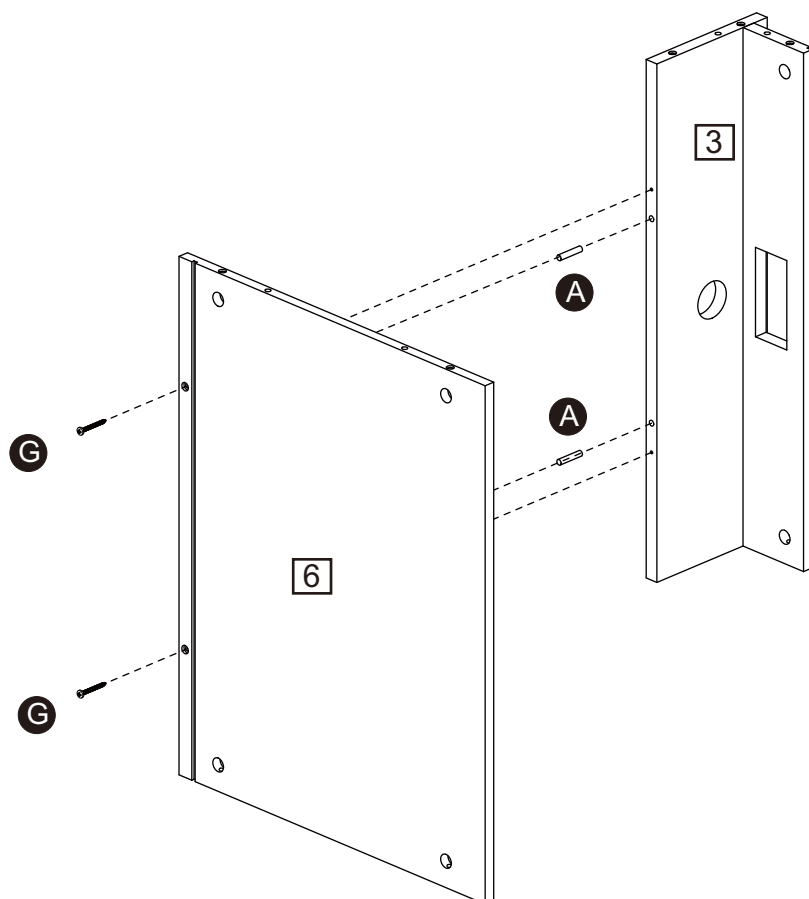
G



4*40mm

G x 2

Step 3



A



A x 2

G

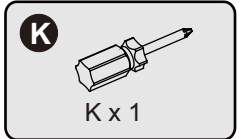
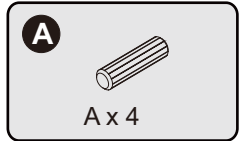
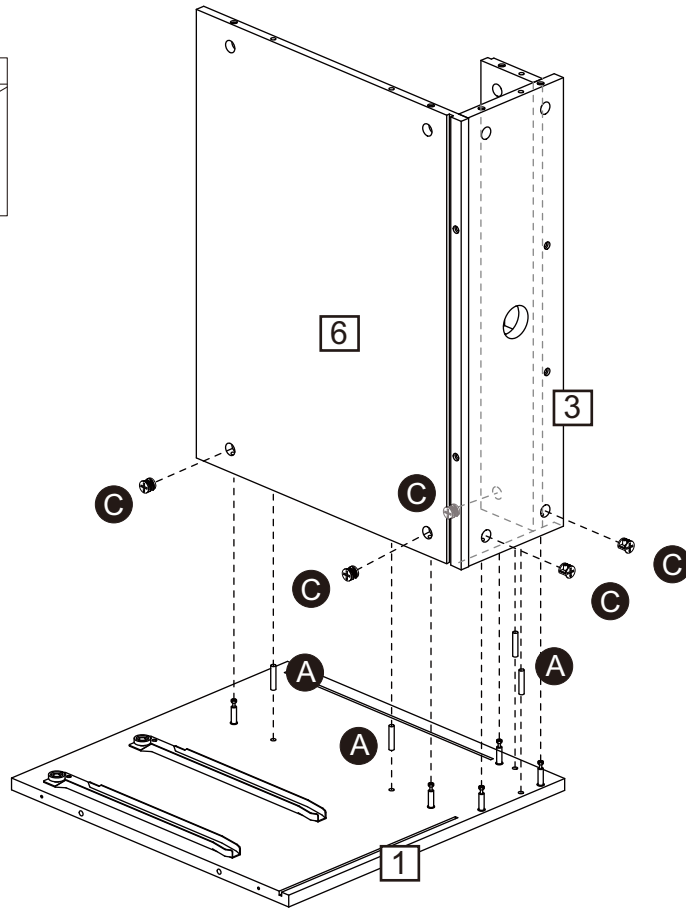
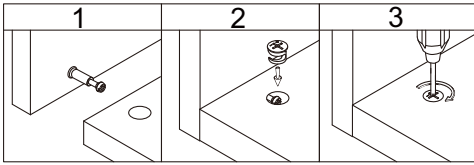


4*40mm

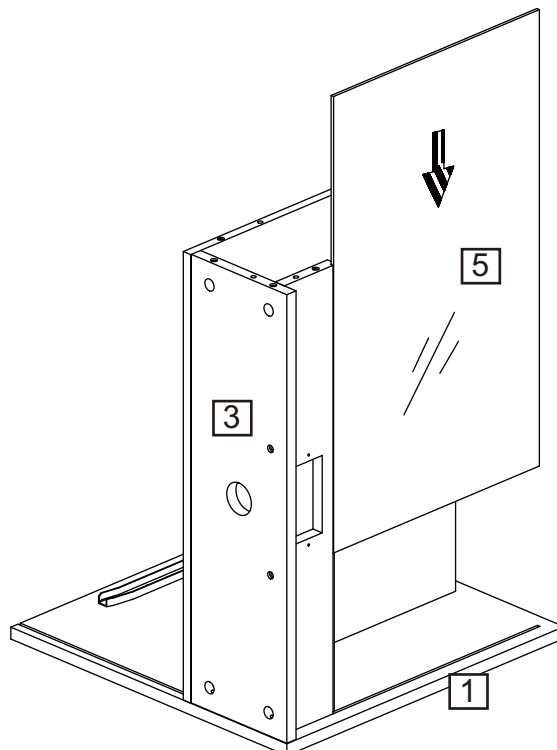
G x 2

Assembly Instructions

Step 4

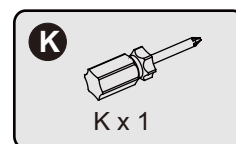
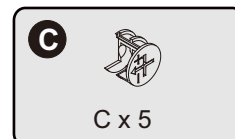
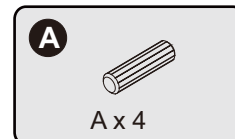
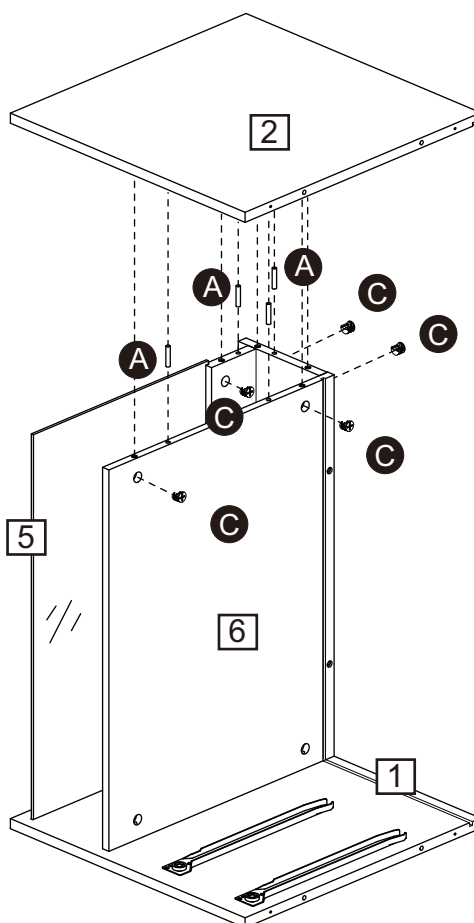
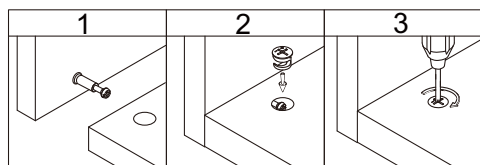


Step 5

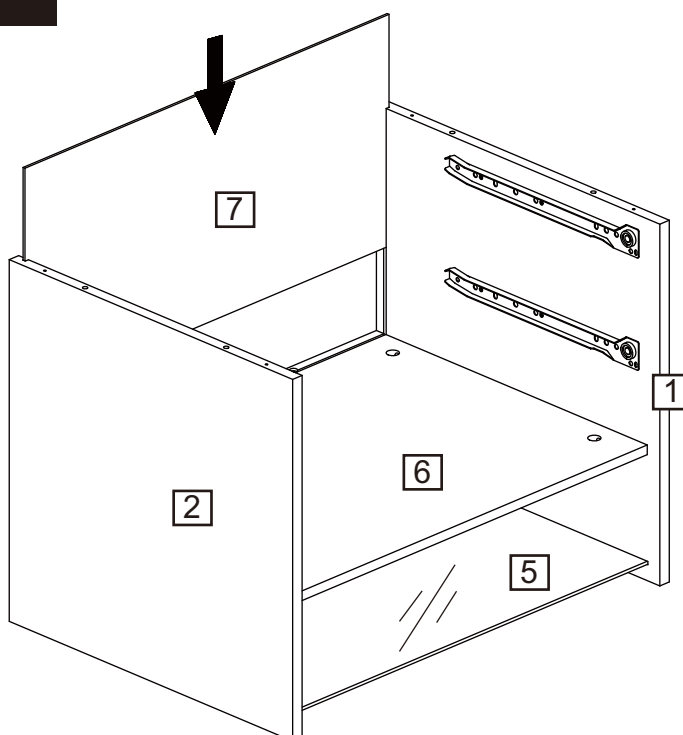


Assembly Instructions

Step 6



Step 7

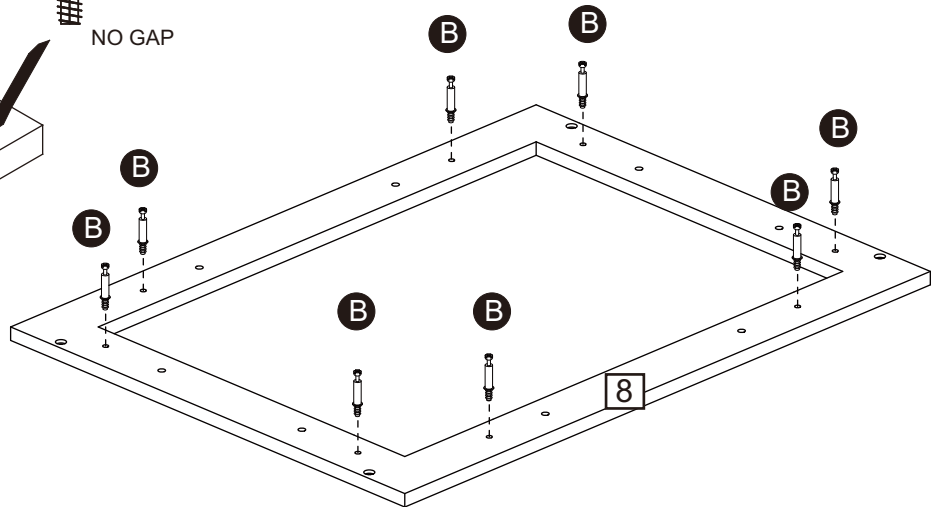
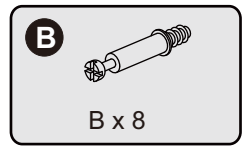
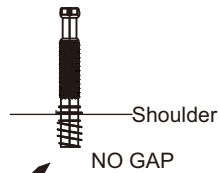
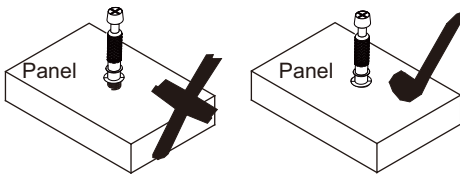


Assembly Instructions

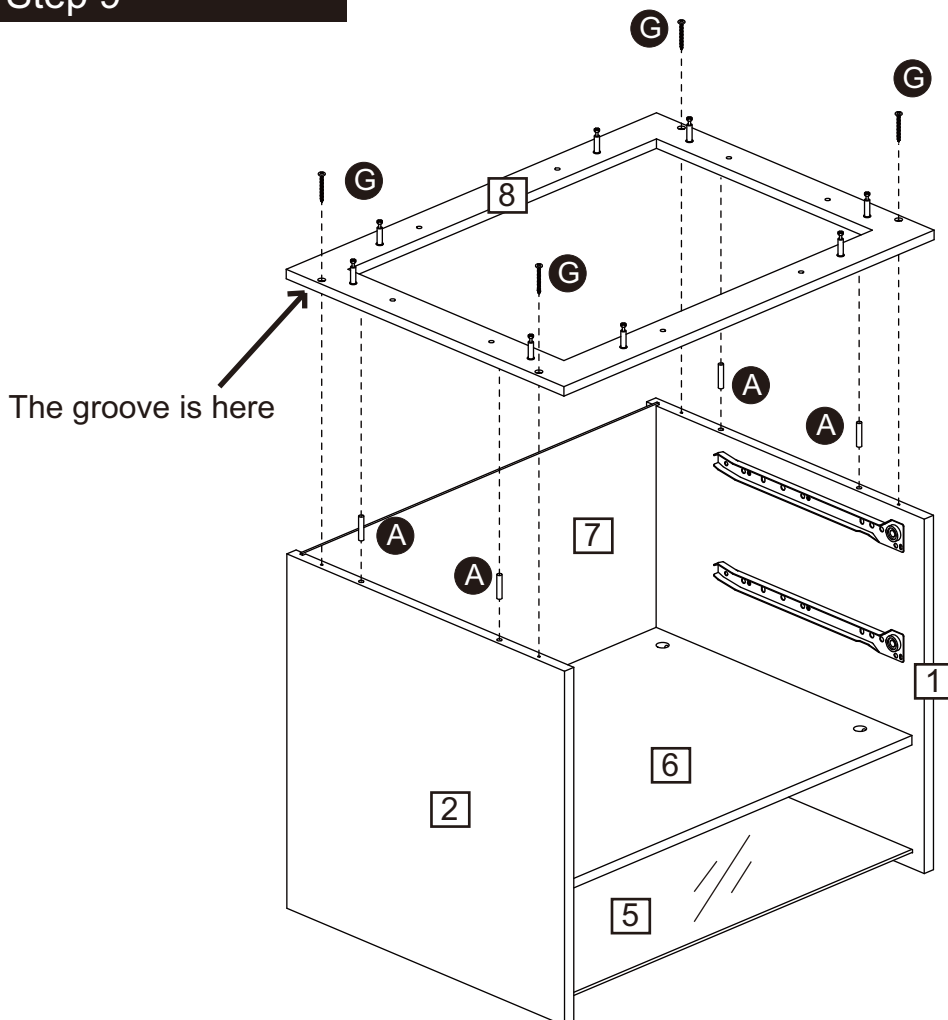
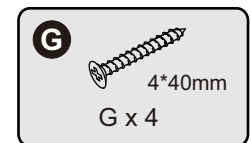
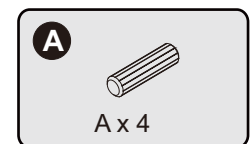
Step 8

CAM-LOCK

Tighten until shoulder is flush with panel. Do not overtighten or undertighten (see example below)



Step 9

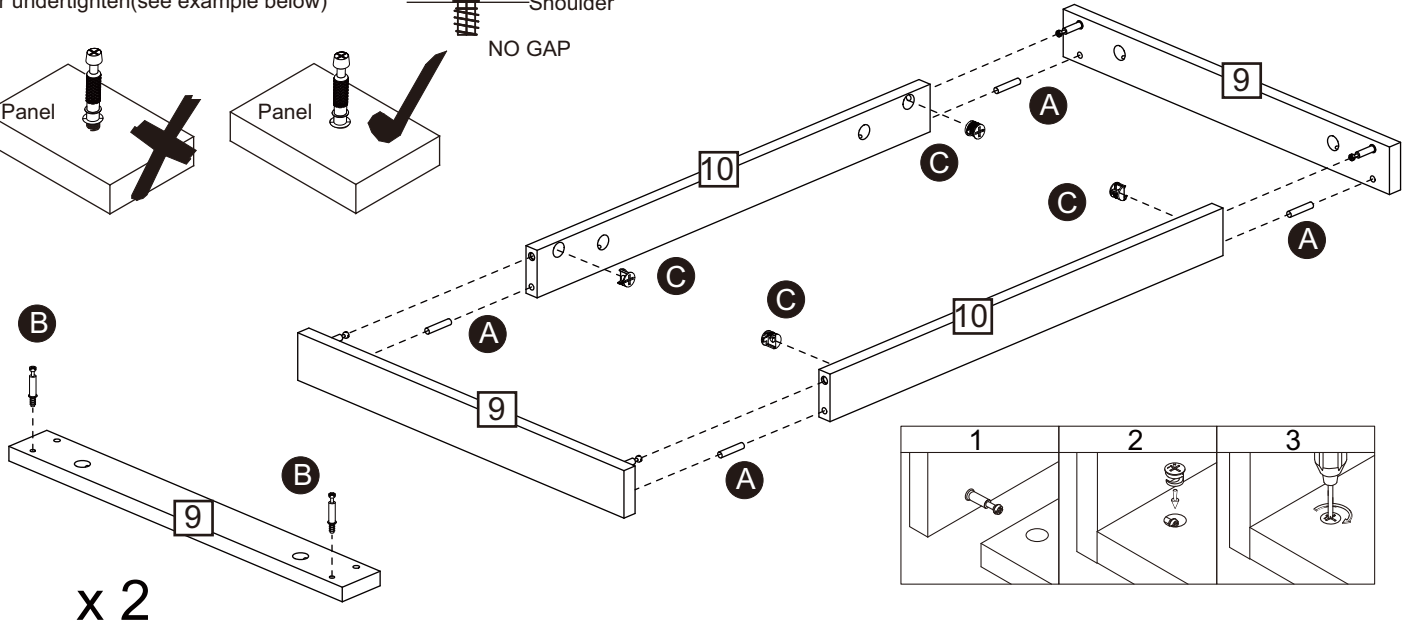
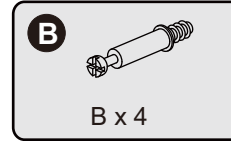
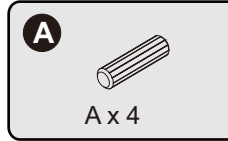
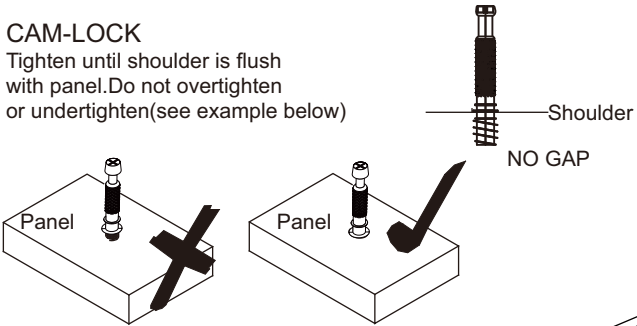


Assembly Instructions

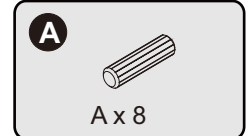
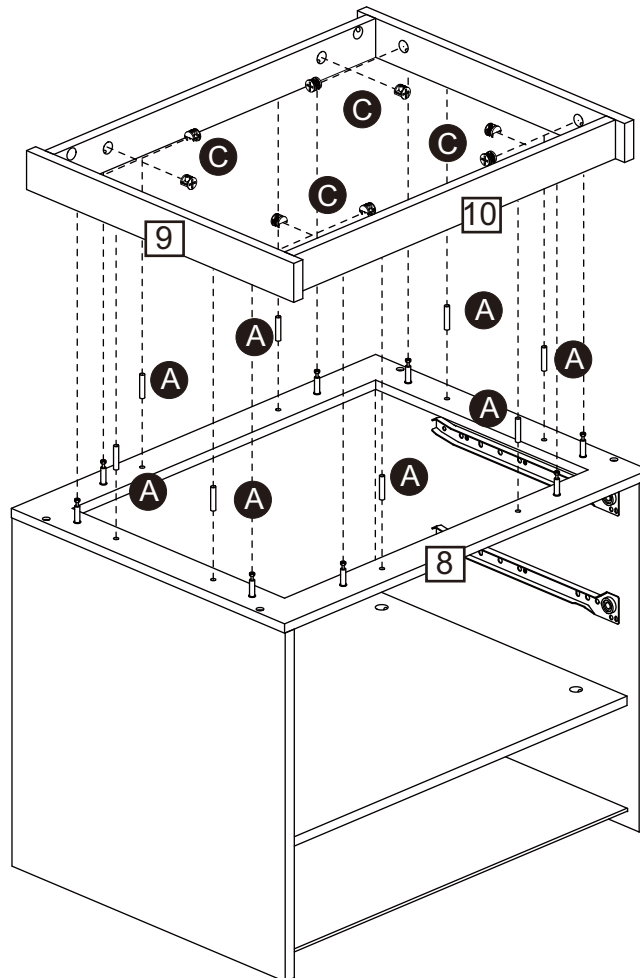
Step 10

CAM-LOCK

Tighten until shoulder is flush with panel. Do not overtighten or undertighten (see example below)

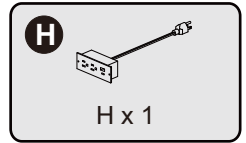
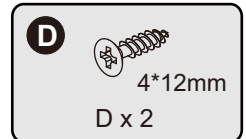
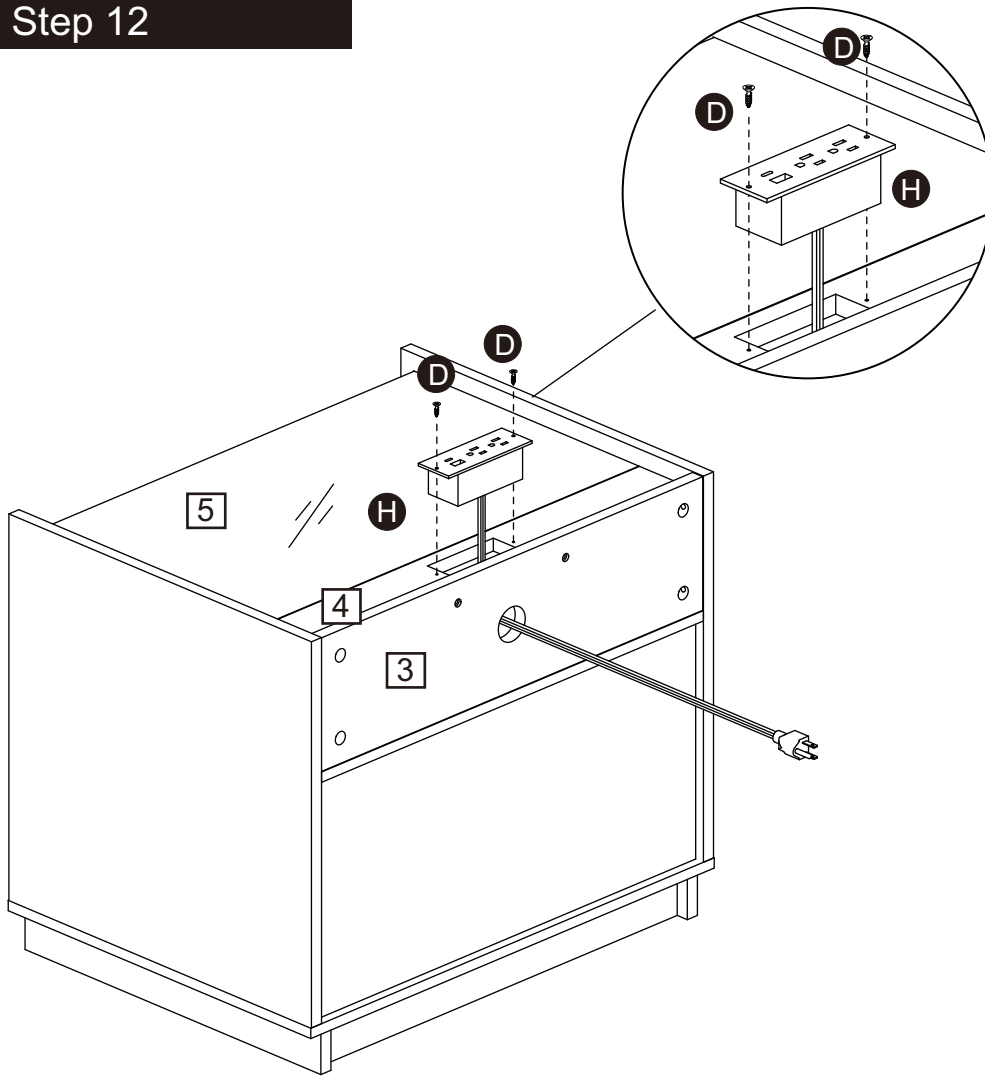


Step 11

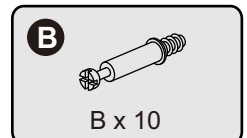
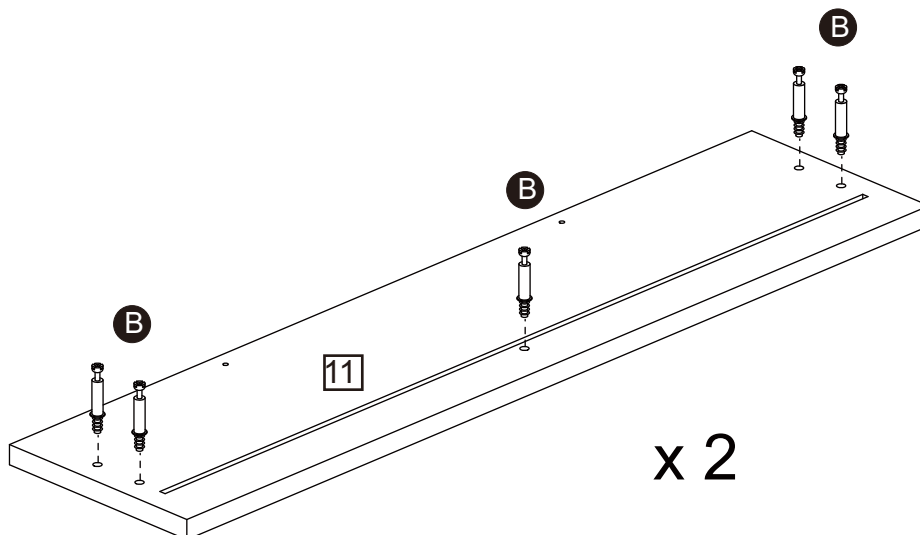


Assembly Instructions

Step 12

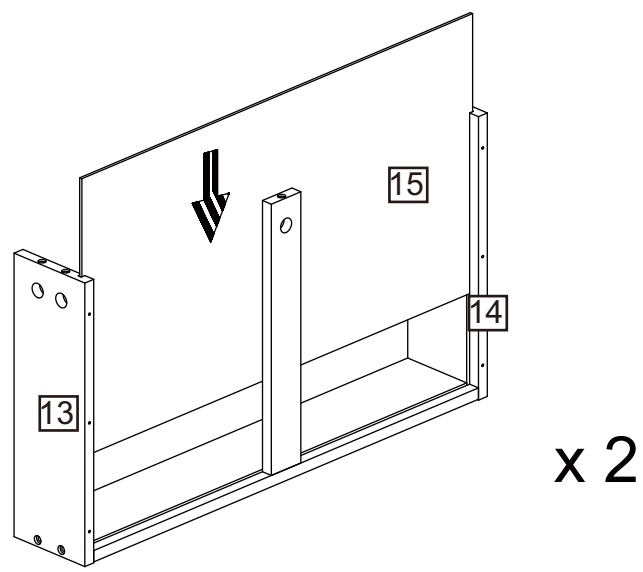
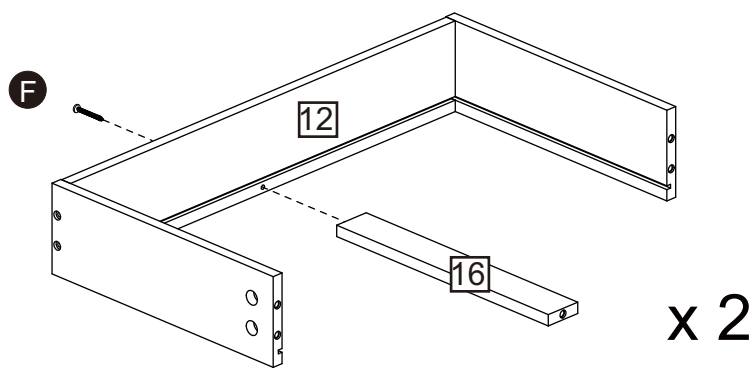
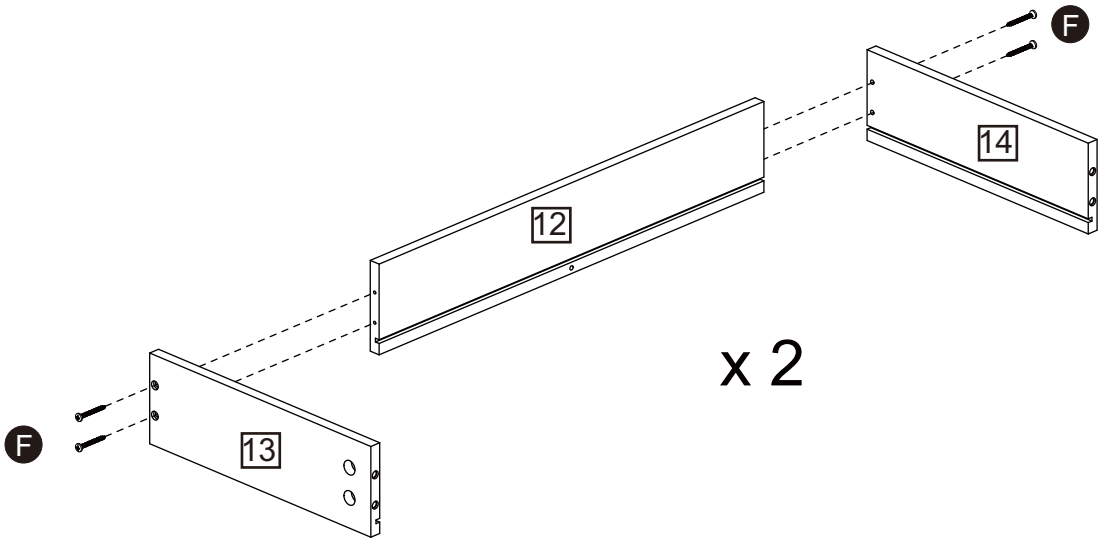
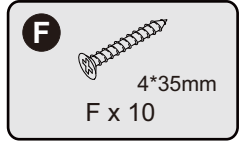


Step 13



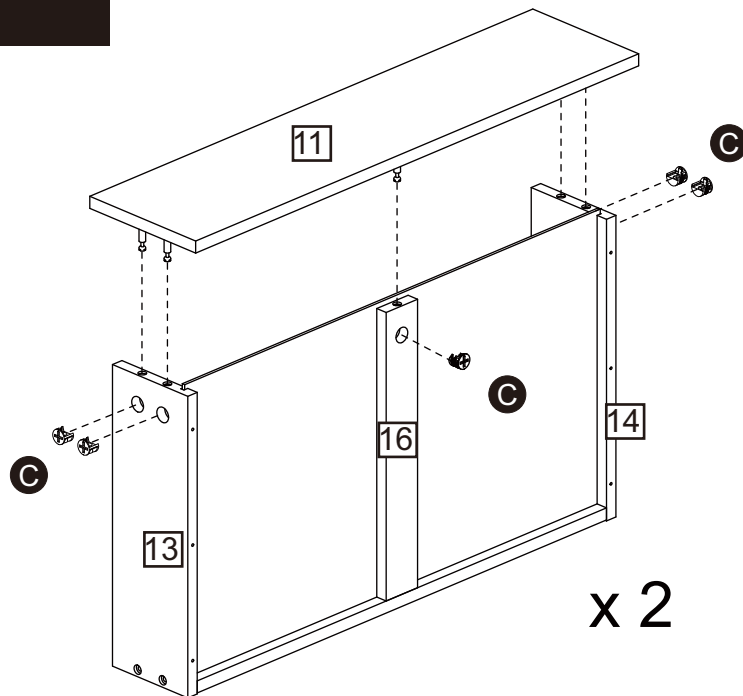
Assembly Instructions

Step 14

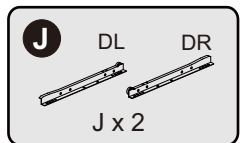
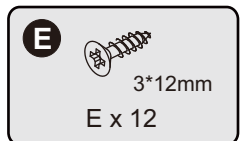
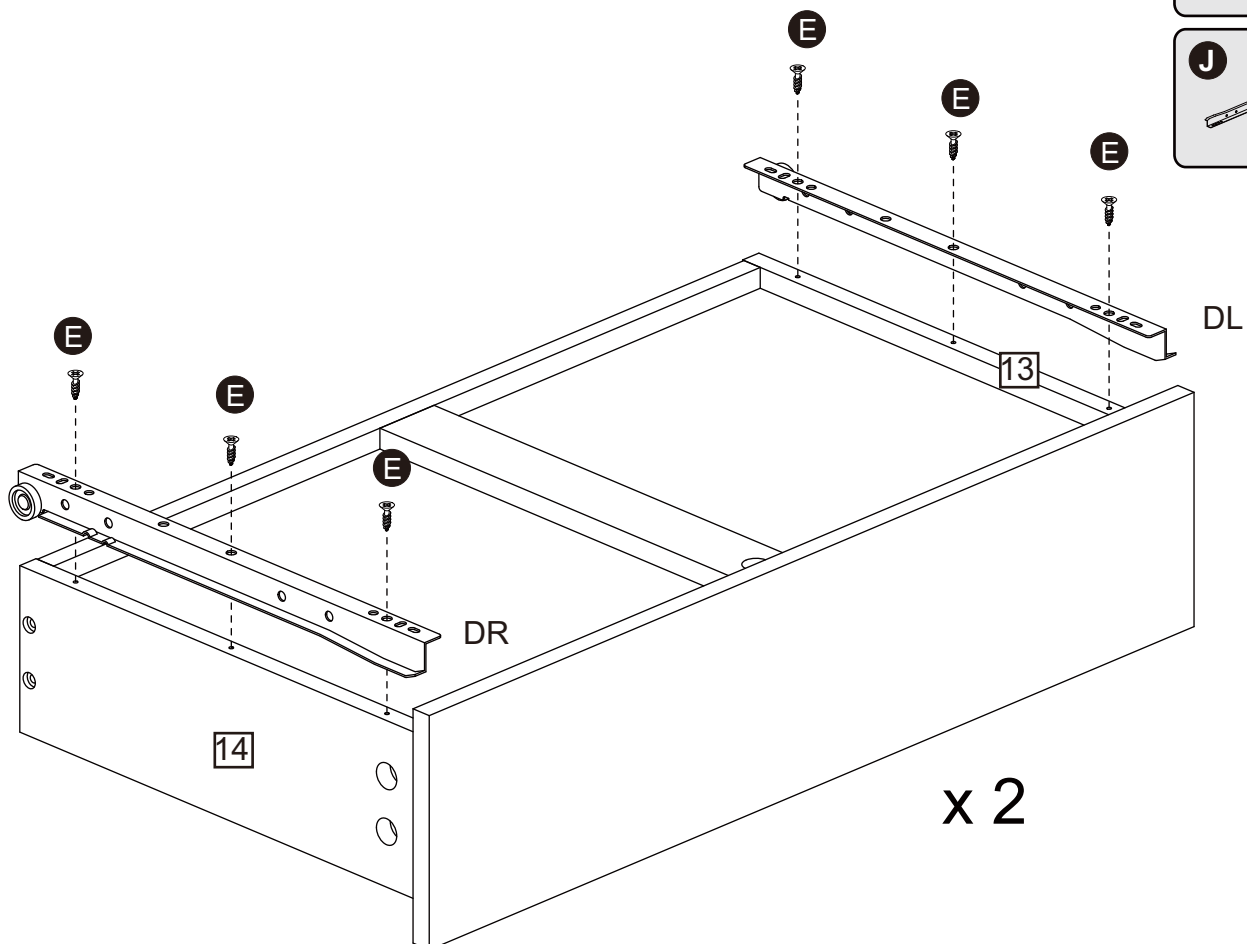


Assembly Instructions

Step 15

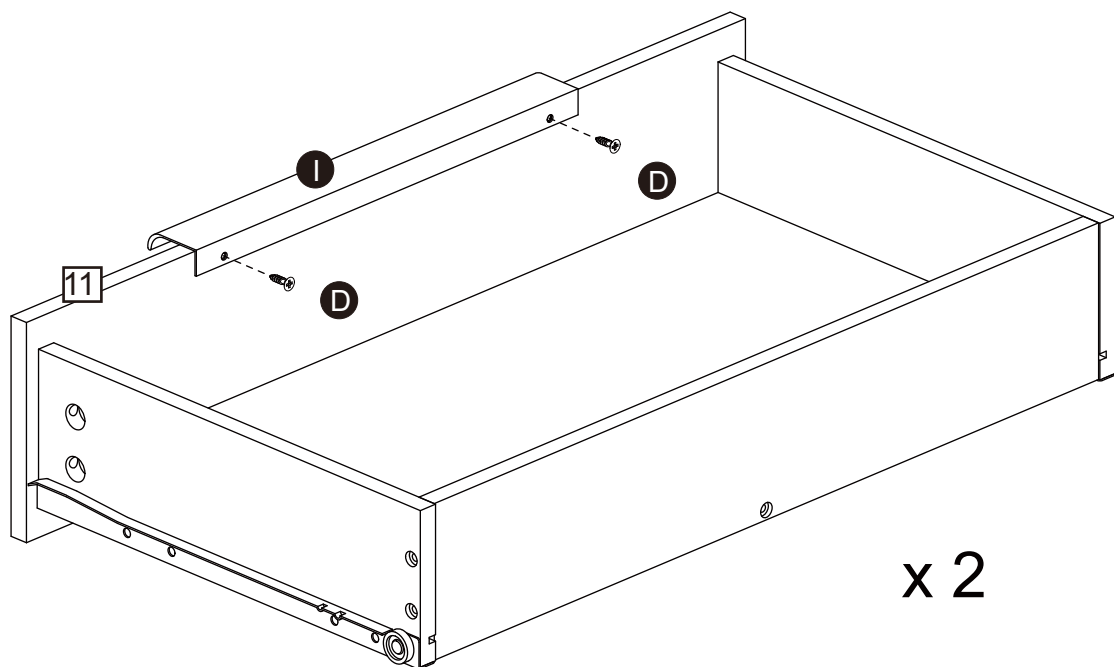
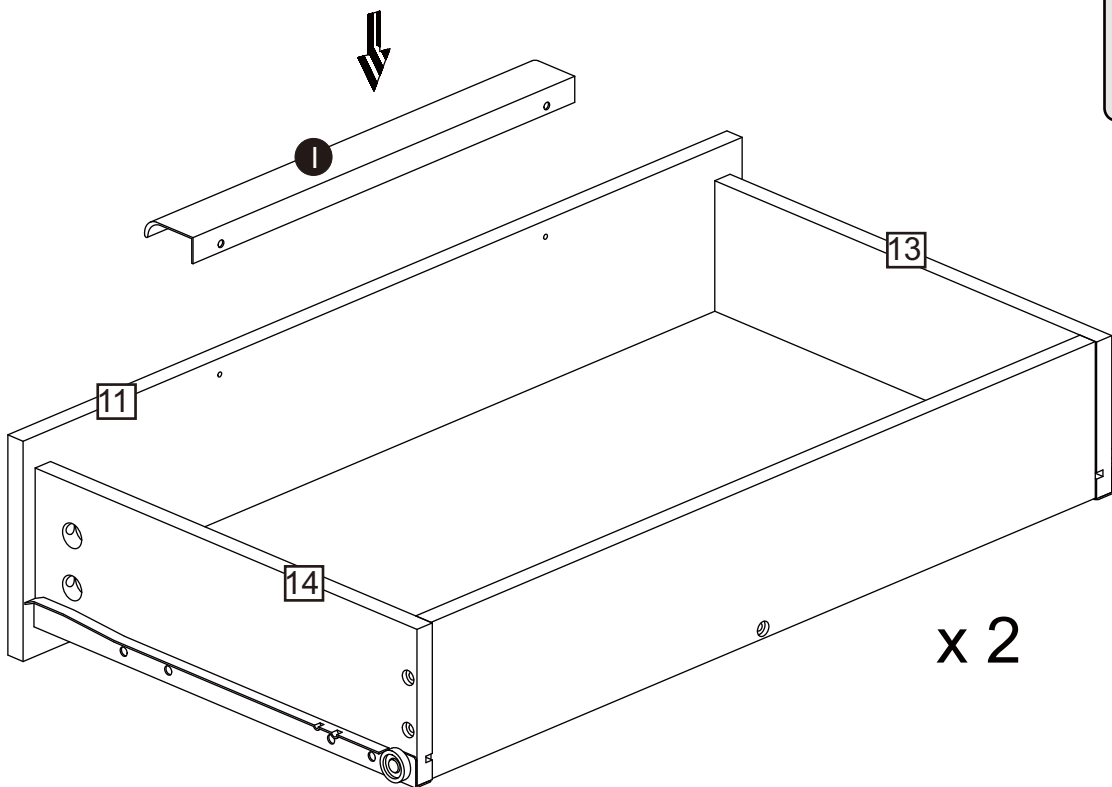
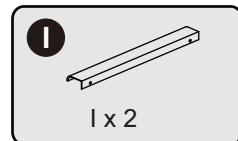
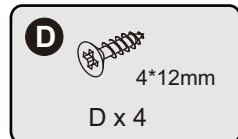


Step 16



Assembly Instructions

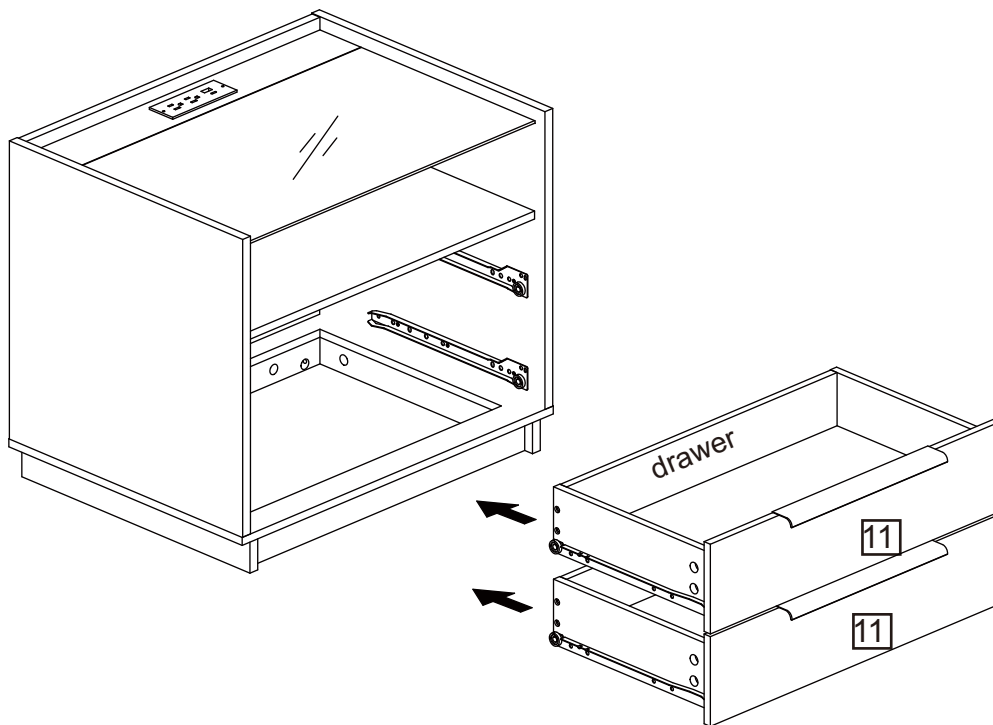
Step 17



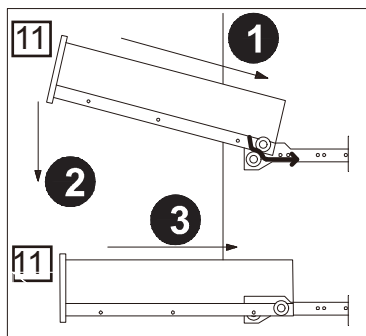
Assembly Instructions

Step 18

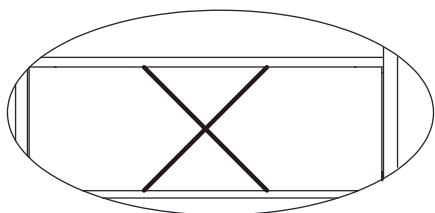
Congratulation! You've made to the last step! But don't be too thrilled yet, put on the drawer can be frustrating if you do it wrong. So, take your time and follow the steps below.



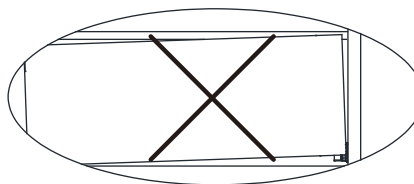
1. Please ensure that you have matched the wheels on BOTH sides of the drawer with the wheels on rails installed BEFORE push in the drawer.



2. If the following occurs, redo the first **two** step.



(both wheel are off the rails)



(one wheel is off the rail)