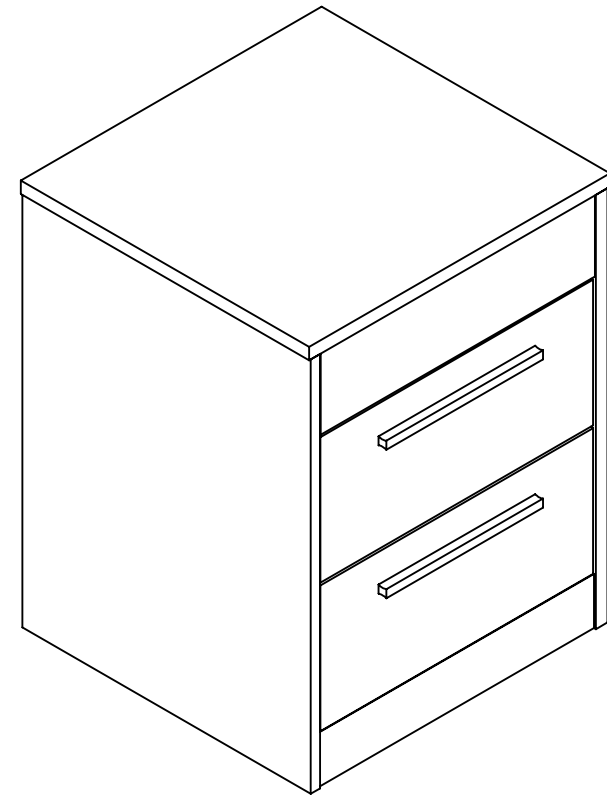


ART *in* FURNITURE

"Creative Solutions for Your Home"

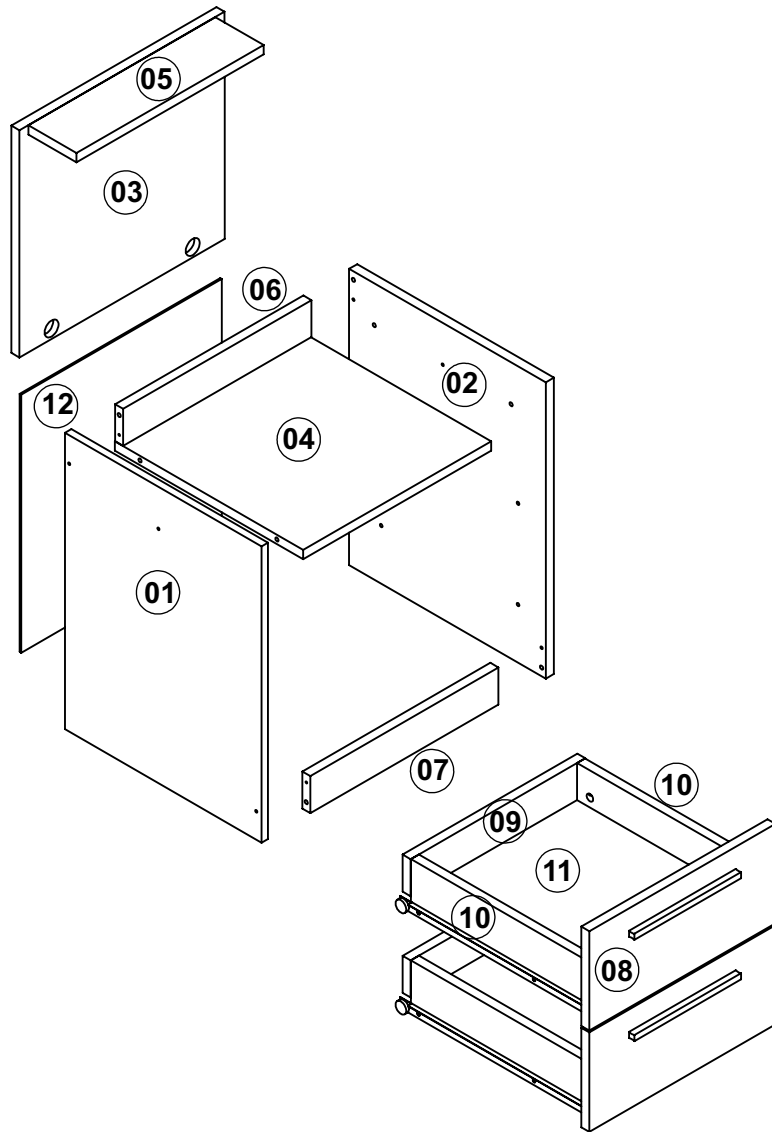


NIGHTSTAND LOCK



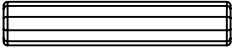
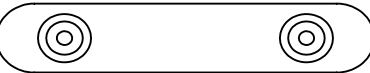

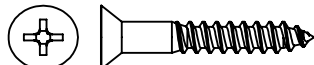

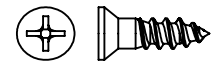

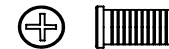
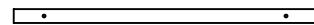
Thank you for choosing Art in Furniture!

We're thrilled to have you as a customer and to be part of your home. Your trust means the world to us, and we hope you'll think of us for future home furnishing needs. Your feedback is incredibly valuable as we continue to design products that bring your dreams to life. Visit: <https://artinmeis.com.br/en/home-english/> to share your experience with us!



COD	DESCRIPTION	DIMENSIONS	QTY
01	LEFT SIDE	18 7/8"x 14 1/2"x 5/8"	01
02	RIGHT SIDE	18 7/8"x 14 1/2"x 5/8"	01
03	TOP	15 1/8"x 14 1/2"x 5/8"	01
04	SHELF	13 7/8"x 13 7/8"x 5/8"	01
05	FRONT TOP	13 3/4"x 3 1/2"x 5/8"	01
06	CROSSPIECE	13 7/8"x 2 3/8"x 5/8"	01
07	FOOTER	13 7/8"x 2 3/8"x 5/8"	01
08	FRONT OF THE DRAWER	13 3/4"x 6 3/8"x 5/8"	02
09	BACK OF THE DRAWER	12 7/8"x 2 3/8"x 5/8"	02
10	SIDE OF THE DRAWER	13"x 3 3/8"x 5/8"	04
11	BOTTOM OF THE DRAWER	12 1/8"x 13 3/4"x 1/8"	02
12	BACK	14 1/2"x 16 1/2"x 1/8"	01

IMPORTANT: PLEASE READ THE INSTRUCTIONS CAREFULLY BEFORE ASSEMBLY.

A		WOOD DOWEL Ø6X30MM	16
B		FOOT	04
C		SCREW Ø3,5x40 CC	06
D		SCREW Ø4x22 CC	04
E		SCREW 3,5X20 CC	02
F		SCREW Ø3,5x14 CC	16
G		SCREW Ø3x10 CC	08
H		SCREW Ø6x10 CC	08
I		PULL	02

RECOMMENDATIONS:

- 01 – Carefully check all parts before starting assembly.
- 02 – We strongly recommend assembling this product by following the steps provided in this Instruction Manual.
- 03 – It is the assembler's responsibility to ensure that the furniture is properly assembled according to the instructions.
- 04 – Make sure all bolts, nuts, and screws are securely fastened, but be careful not to overtighten them.

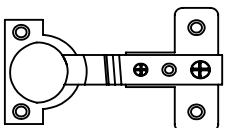
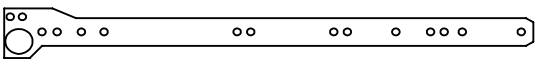

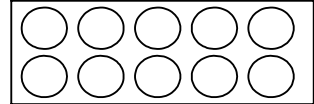
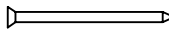
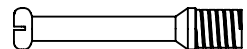

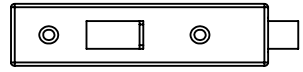
CLEANING:

- 01 – Wipe with a cloth slightly dampened with water.
- 02 – Avoid using chemicals or abrasive cleaners.

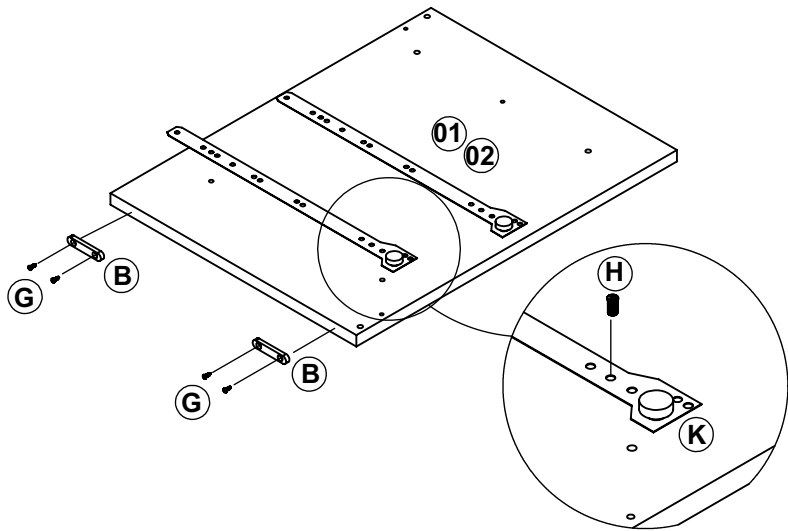
WARNINGS:

- 01 - Keep the product away from open flames and other heat sources, such as electric or gas heaters.
- 02 - Do not use the product if any parts are broken, torn, or missing. Only use manufacturer-approved replacement parts.

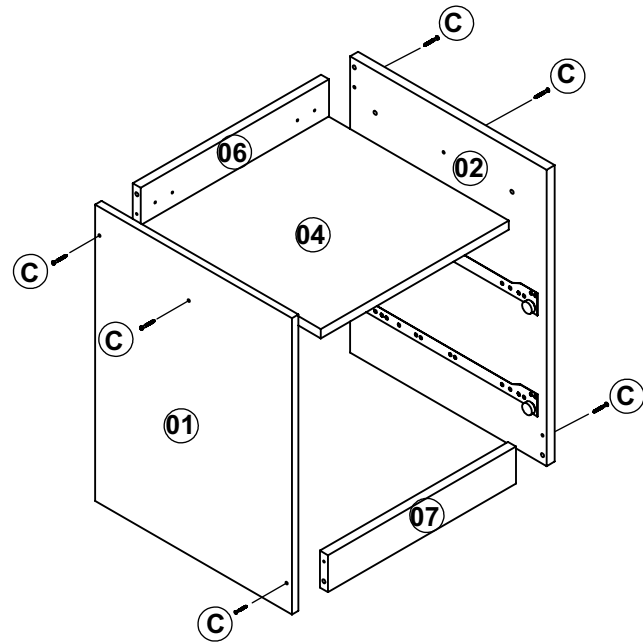


J		HINGE Ø26X1	02
K		SLIDE 350 MM	02
M		GLUE	01
N		STICKER 12 MM	06
O		NAIL 10X10	24
P		MINIFIX SCREW	10
Q		MINIFIX DRUM 12MM	10
R		SAFETY CATCH	01

01

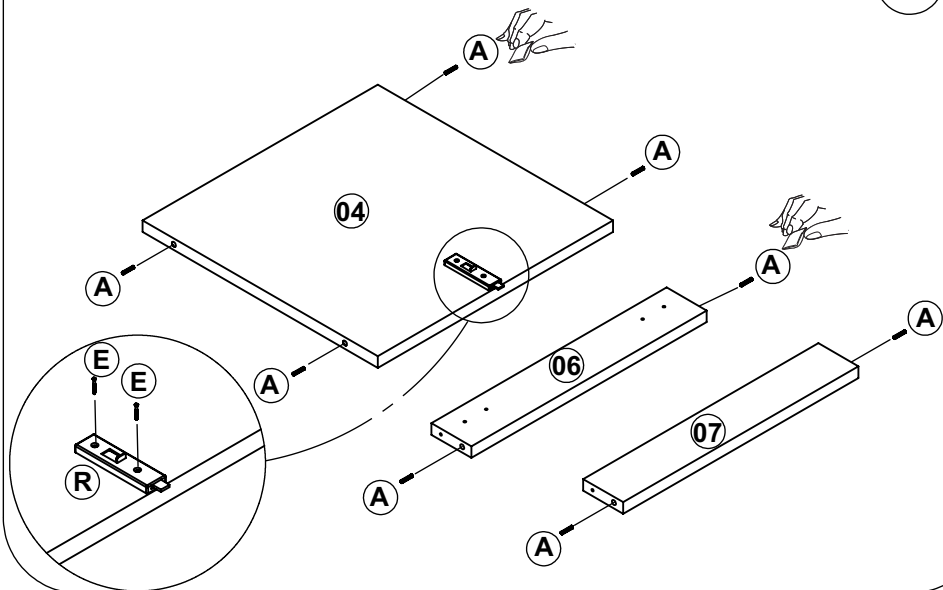


03

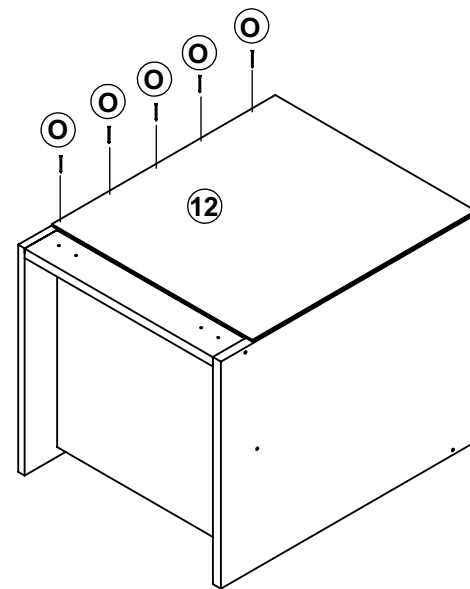


PLACE GLUE "M" ON DOWELS "A".

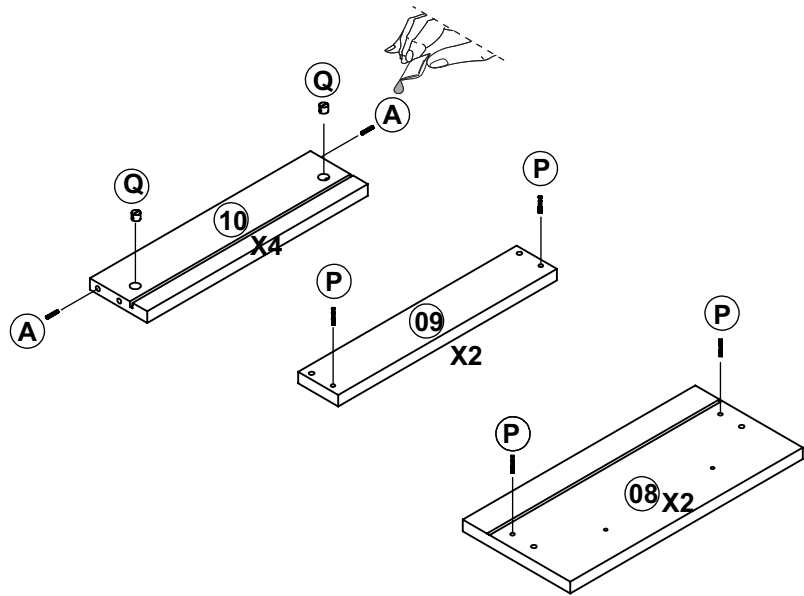
02



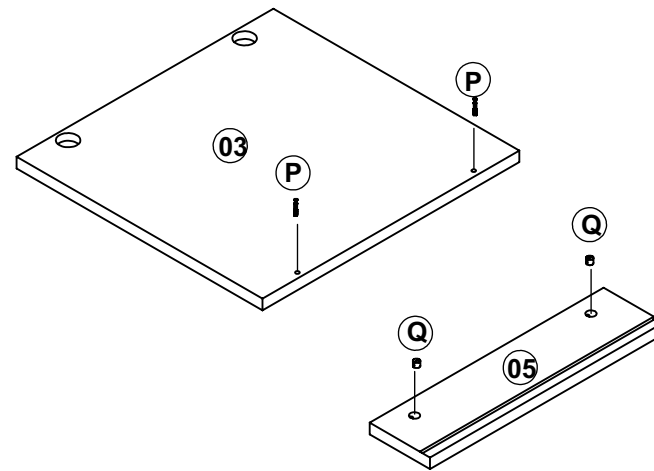
04



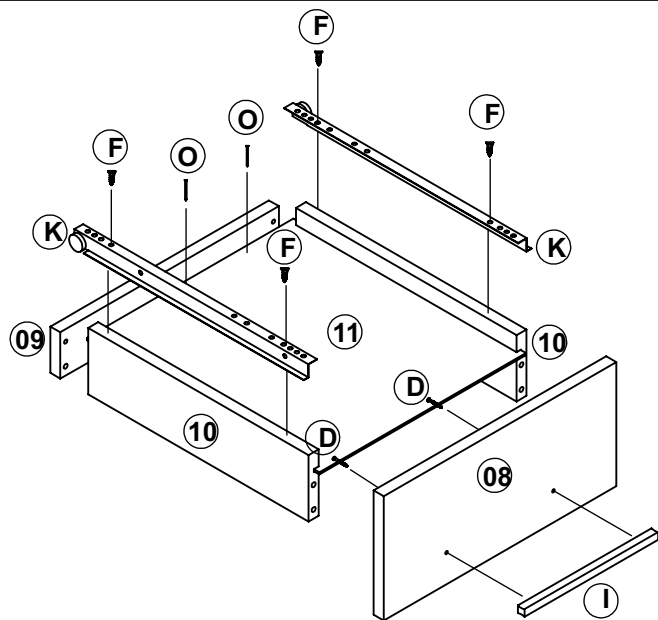
05



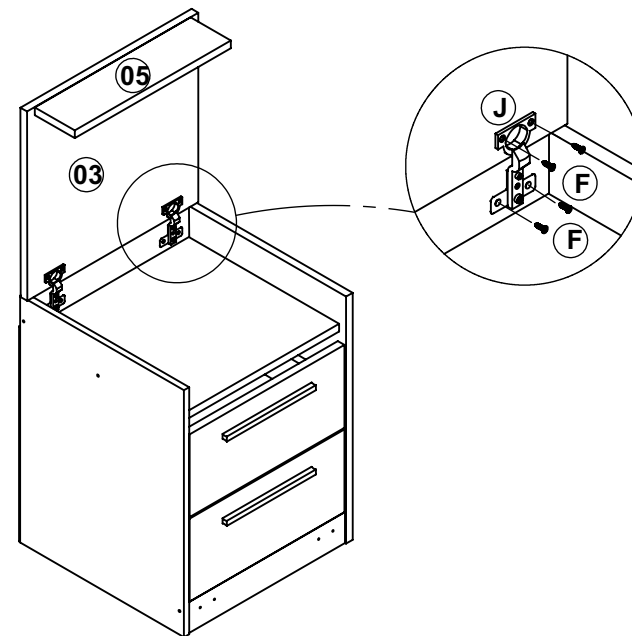
07



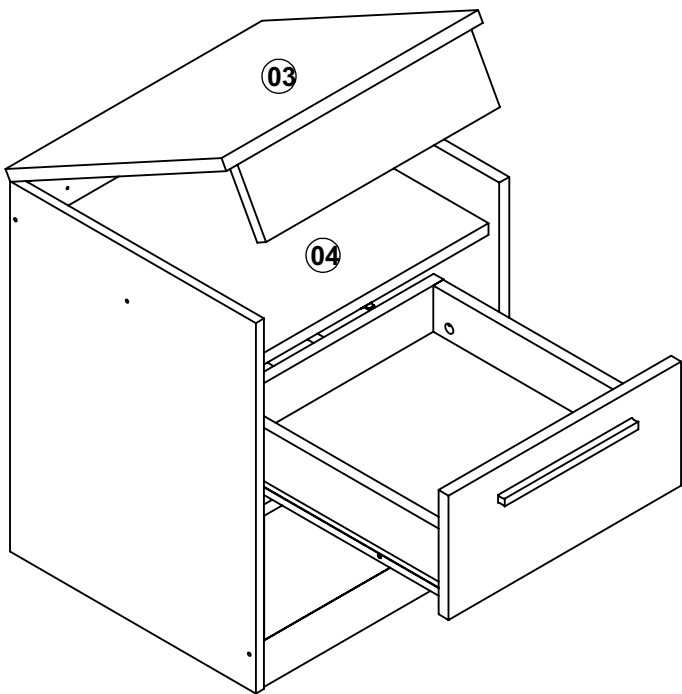
06



08

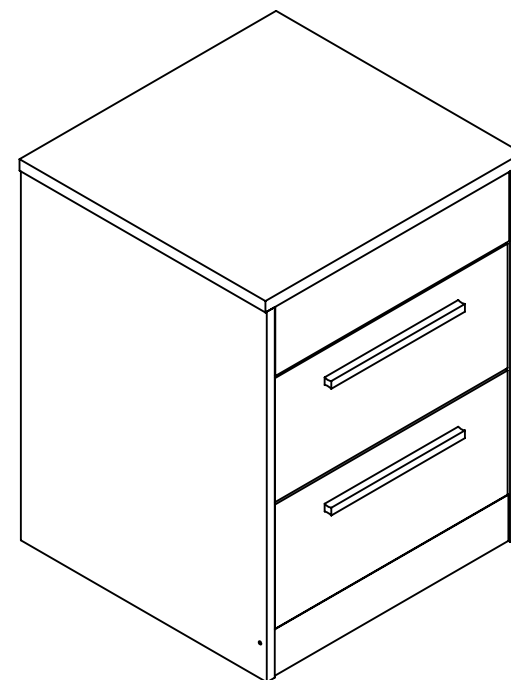


09



USE SAFETY CATCH UNDER THE SHELF `04` TO LOCK THE PIECE `03`.

10



MAXIMUM WEIGHT CAPACITY: 77,16 lbs