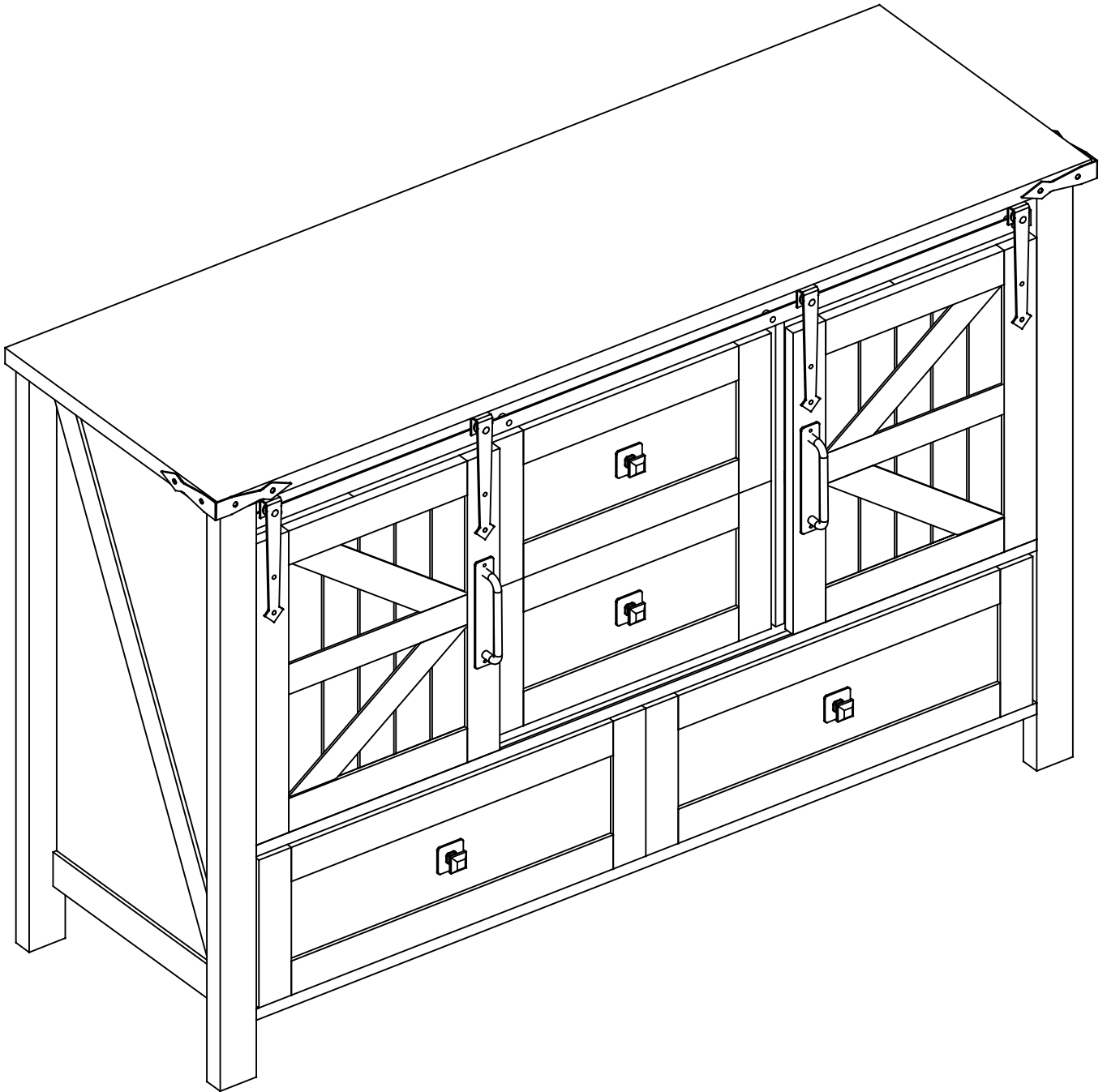


Cabinet

Assembly Instructions - Please keep for future reference



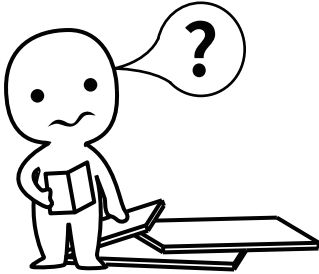
Dimensions

Width - 47.24inch

Depth - 15.87inch

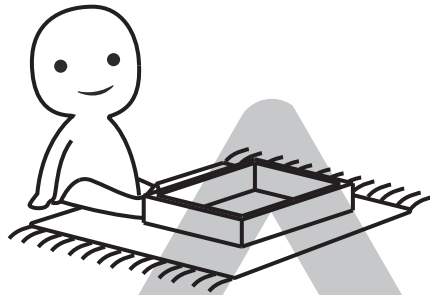
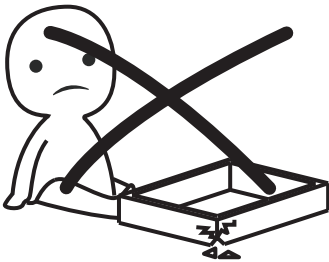
Height - 31.1inch

Important – Please read these instructions fully before starting assembly



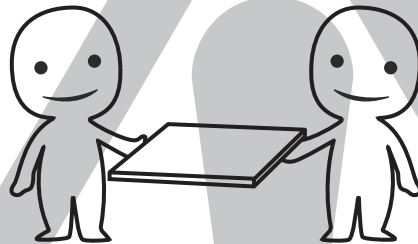
IMPORTANT INFORMATION!

Please read the entire manual before starting to assemble and/or using this product. Follow the manual thoroughly and keep it for further reference.



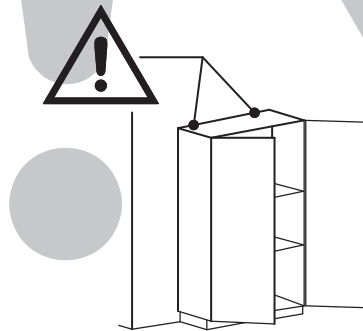
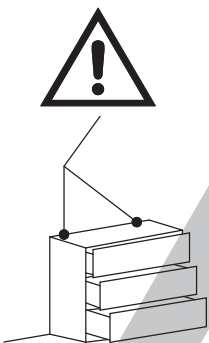
AVOID SCRATCHES!

In order to avoid scratching this furniture should be assembled on a soft layer—could be a rug.



IMPROVE EFFICIENCY !

Try to find a partner to install with you, which can speed up the installation efficiency and shorten the time.



ANTI-TOPPLE WARNING !

Overturned furniture can cause serious or fatal crush injuries. To prevent tipping over, be sure to use the wall attachment, if not included with this product. Please purchase the wall attachment that fit your wall. If unsure, seek professional advice. Please read and follow each step of the instructions carefully.



Safety and Care Advice

Important – Please read these instructions fully before starting assembly

Check you have all the components and tools listed on the following pages.

• Remove all fittings from the plastic bags and separate them into their groups.

Keep children and animals away from the work area, small parts could choke if swallowed.

Make sure you have enough space to layout the parts before starting.

During assembly do not stand or put weight on the product, this could cause damage.

Assemble the item as close to its final position (in the same room) as possible.

Assemble on a soft level surface to avoid damaging the unit or your floor.

Parts of the assembly will be easier with 2 people.



power drill is set on a low torque setting.

• To reduce the likelihood of damaging your product please ensure that your

Care and maintenance

Only clean using a damp cloth and mild detergent, do not use bleach or abrasive cleaners.

From time to time check that there are no loose screws on this unit.

This product should not be discarded with household waste. Take to your local authority waste disposal centre.

Handy Hints

Assemble all parts and bolts loosely during assembly, only once the product is complete should you fully tighten the bolts

Regularly check and ensure that all bolts and fittings are tightened properly.

WARNING In order to help prevent overturning – please follow these instructions

To help prevent product toppling over please follow the below steps:-

Use the anti tip strap or wall fixing method provided (if applicable)

Do not allow children to climb or hang on the furniture

Do not open more than one drawer at a time

Do not place heavy items in the top drawers

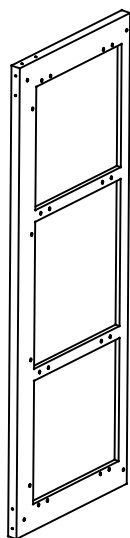
Do not place heavy items on top of the furniture, unless the furniture has been designed for this purpose

Please note that only the anti tip strap is provided.

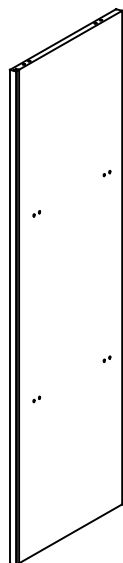
You will need to provide wall plugs and screws applicable for your wall type

Componets - Panels

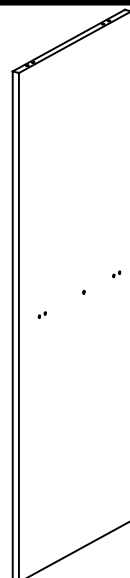
Please check you have all the panels listed below



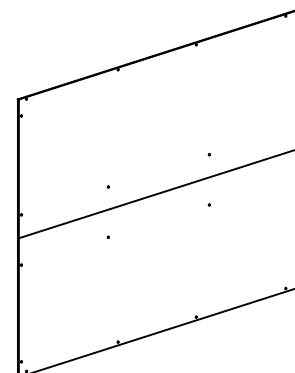
1 (1200*400*24mm X1)



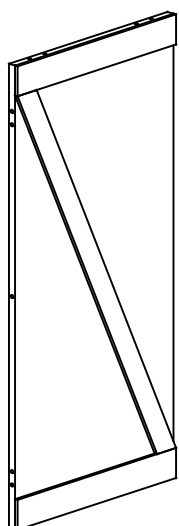
2 (1070*385*15mm X1)



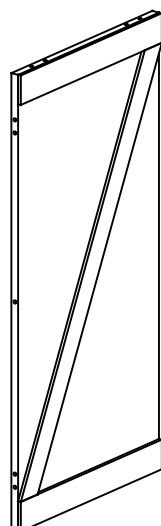
3 (1070*385*15mm X1)



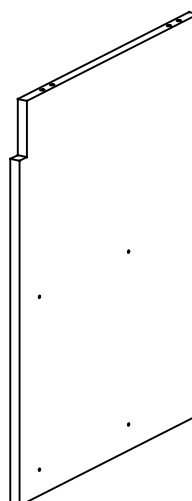
4 (1100*704*3mm X1)



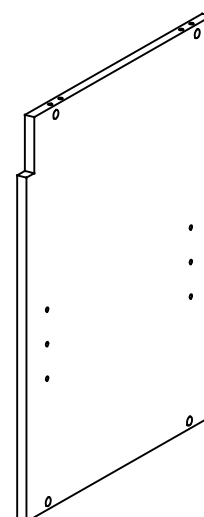
5 (690*335*12mm X1)



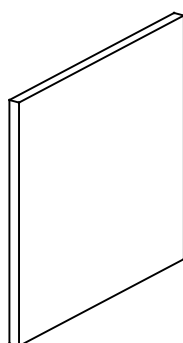
6 (690*335*12mm X1)



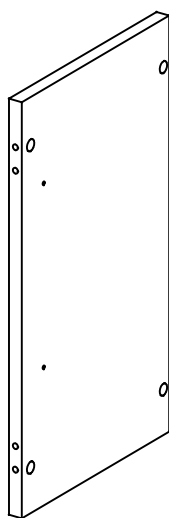
7 (460*360*12mm X1)



8 (460*360*12mm X1)



9 (360*325*12mm X2)



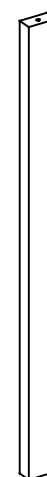
10 (350*198*15mm X1)



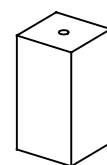
11 (1070*64*15mm X1)



12 (765*50*25mm X1)



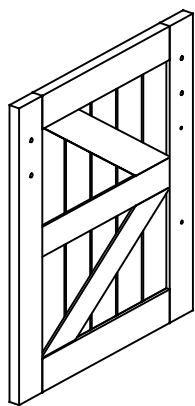
13 (765*50*25mm X1)



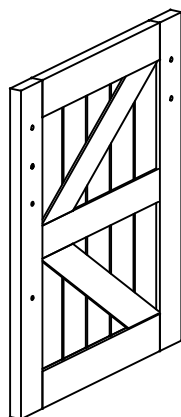
14 (73*36*36mm X1)

Componets - Panels

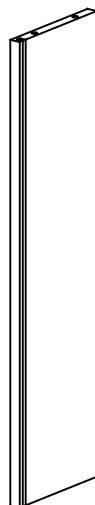
Please check you have all the panels listed below



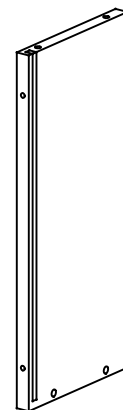
15 (395*335*15mm) X1



16 (395*335*15mm) X1



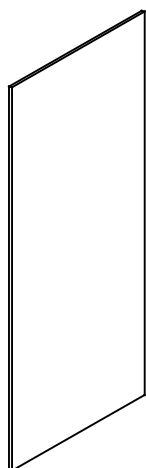
17 (475*150*12mm) X2



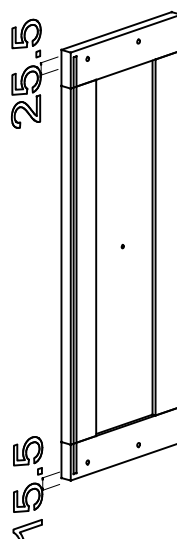
18 (300*150*12mm) X4



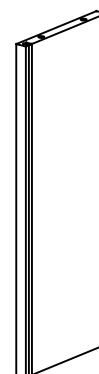
19 (300*150*12mm) X4



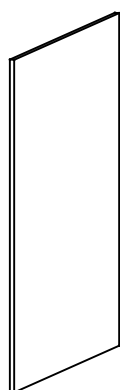
20 (485*296*5mm) X2



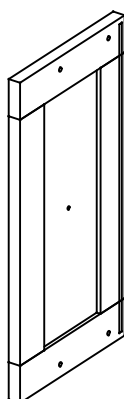
21 (530*192*15mm) X1



22 (342*150*12mm) X2



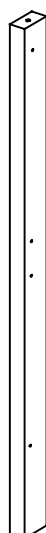
23 (352*296*5mm) X2



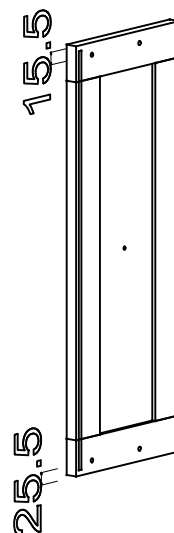
24 (385*192*15mm) X2



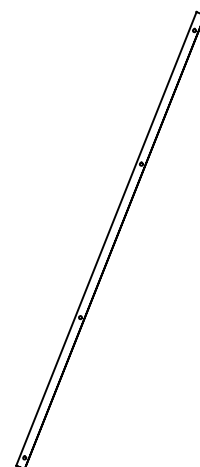
25 (765*50*25mm) X1



26 (765*50*25mm) X1



27 (530*192*15mm) X1

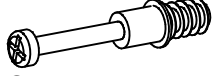


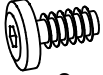


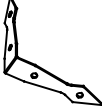




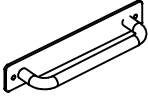

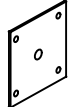
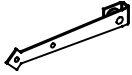
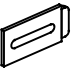
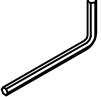
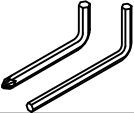
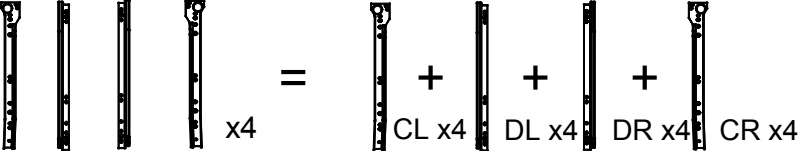
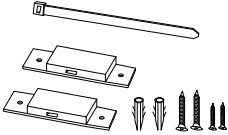


T01 (1080*20*2mm) X1

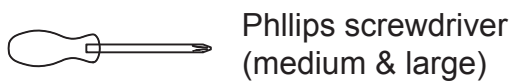
Componets - Fittings

Please check you have all the fittings listed below

Note: The quantities below are the correct amount to complete the assembly. In some cases more fittings may be supplied are required.

A  6*35mm Cam Bolt x56	B  Cam Lock x56	C  6*30mm Wooden Dowel x38
D  M6*12mm Screw x8	E  M6*25mm Screw x5	G  6*15mm Screw x 8
H  x2	J  x8	K  D5*40mm Screw x16
L  D3.5*12mm Screw x72	M  M4*10mm Screw x4	P  x2
R  x4	S  x4	T  x4
U  x4	X  #3 x1	Y  #4 x2
V 		Z  x2

Tools required



Ruler - Use this ruler to help correctly identify the screws

0 5 10 15 20 25 30 35 40 45 50 55 60 65 70 75 80 85 90 95 100 105 110 115 120 125 130 135 140 145 150 155 160 165 170

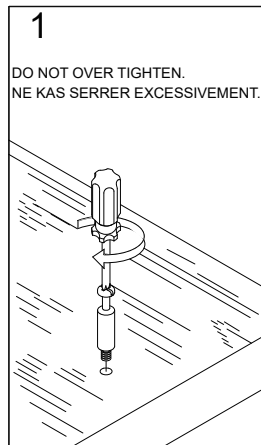


The screws length is measured from the head to the point (30mm screw shown).

Using Camlocks

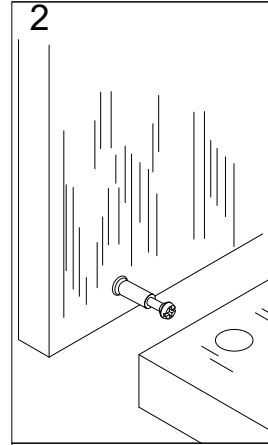
Step 1

Connect the male camlock as directed in the assembly instructions using a screwdriver.



Step 2

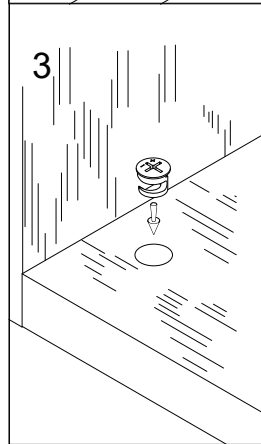
Push the male camlock into the entry hole.



Step 3

Insert the female camlock as shown in the instructions.

Note: ensure that the arrow on the top of the camlock points towards the entry hole for the male camlock.

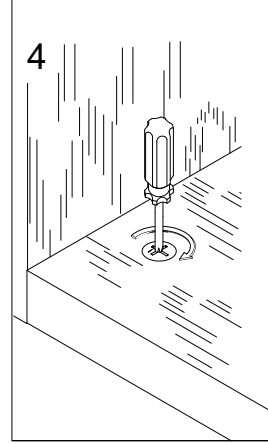


Step 4

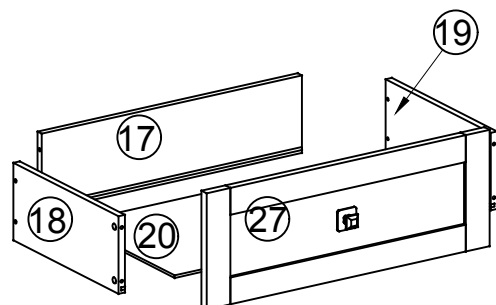
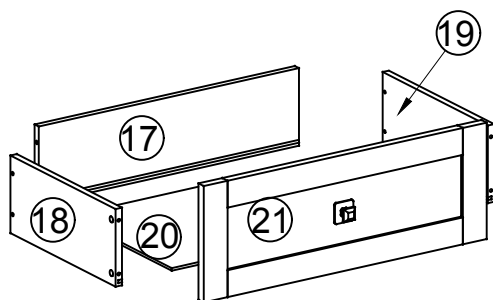
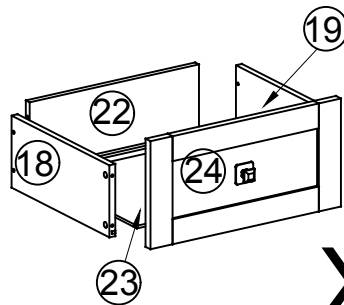
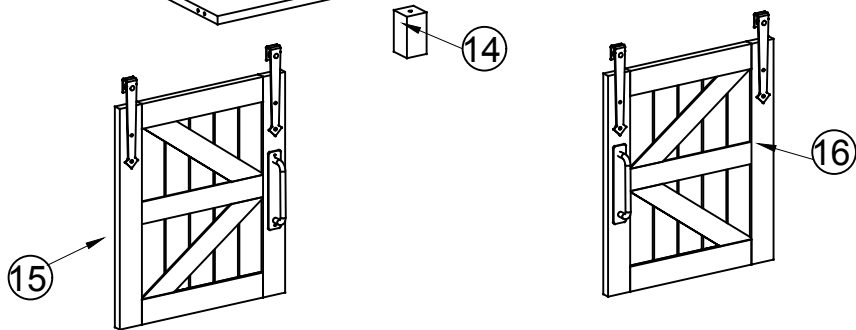
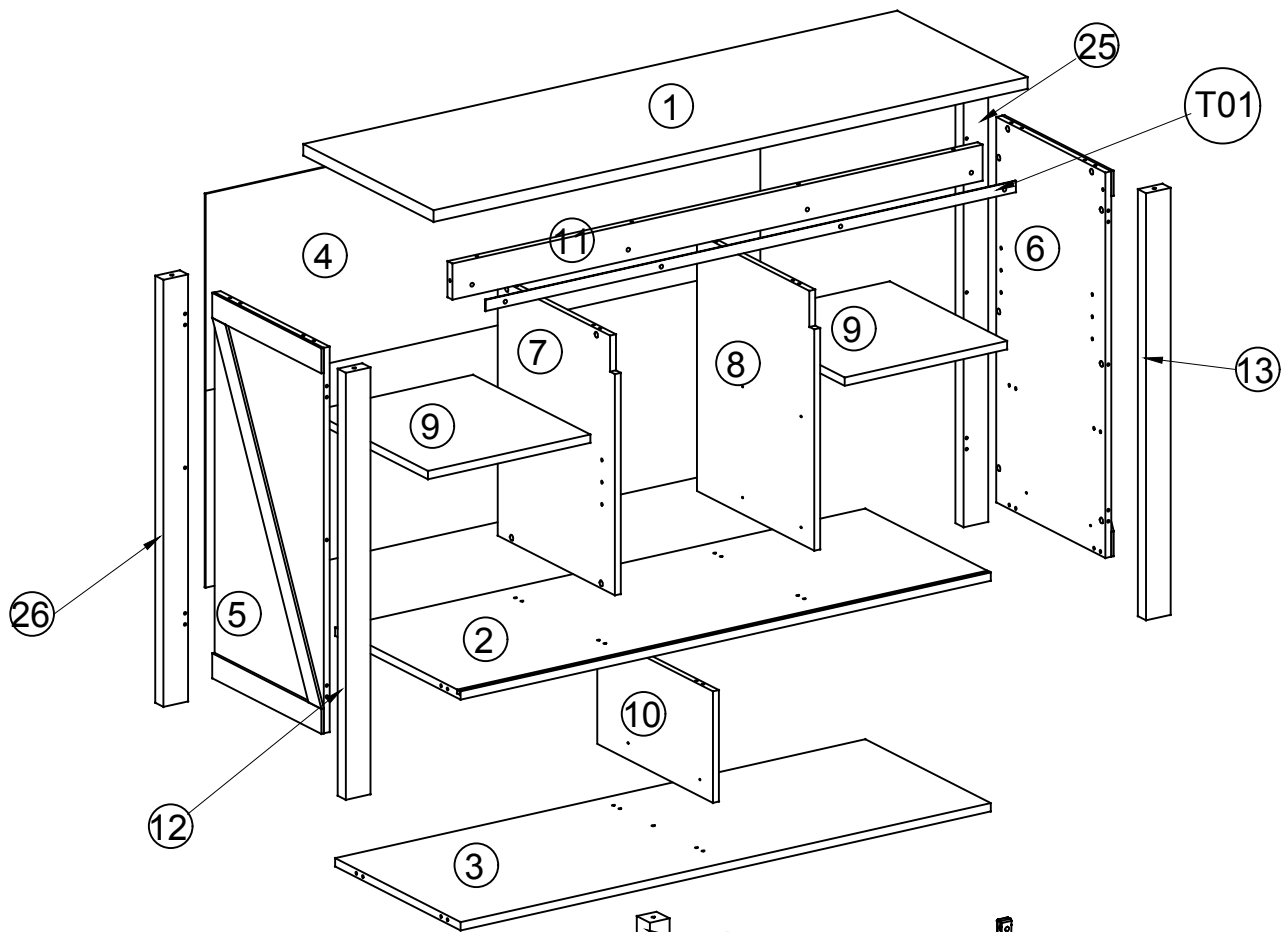
Turn the female camlock clockwise with a screwdriver.

You should feel a click when the camlock is locked in place.

The joint is now secure.



Assembly Instructions

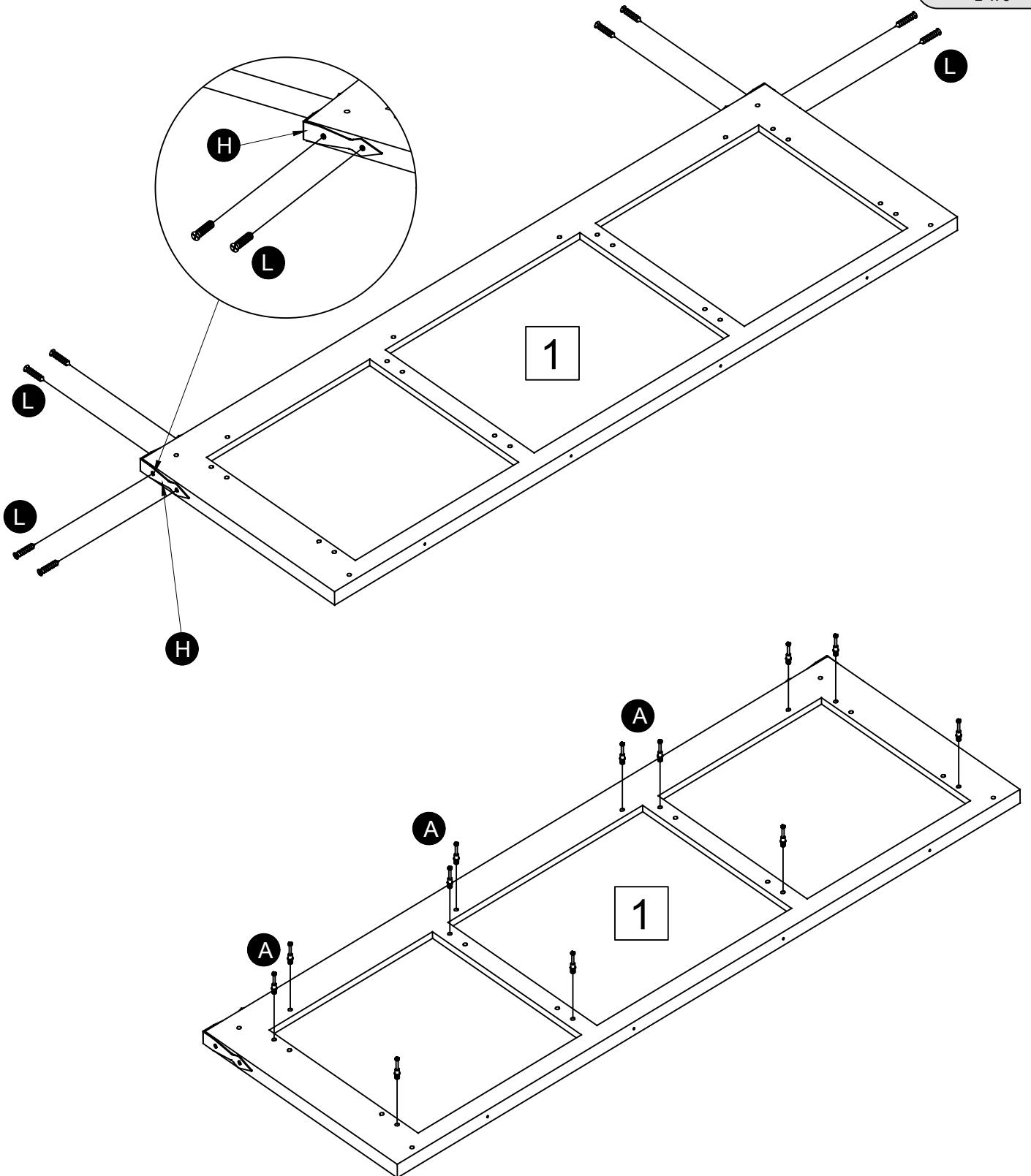
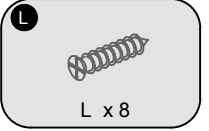
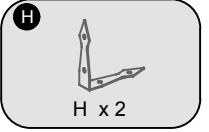
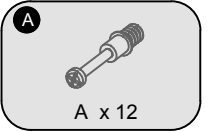
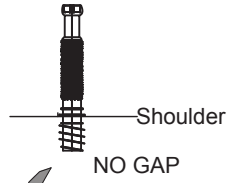
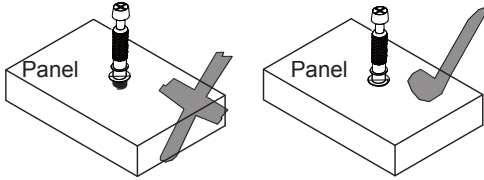


Assembly Instructions

Step 1

CAM-LOCK

Tighten until shoulder is flush with panel. Do not overtighten or undertighten (see example below)

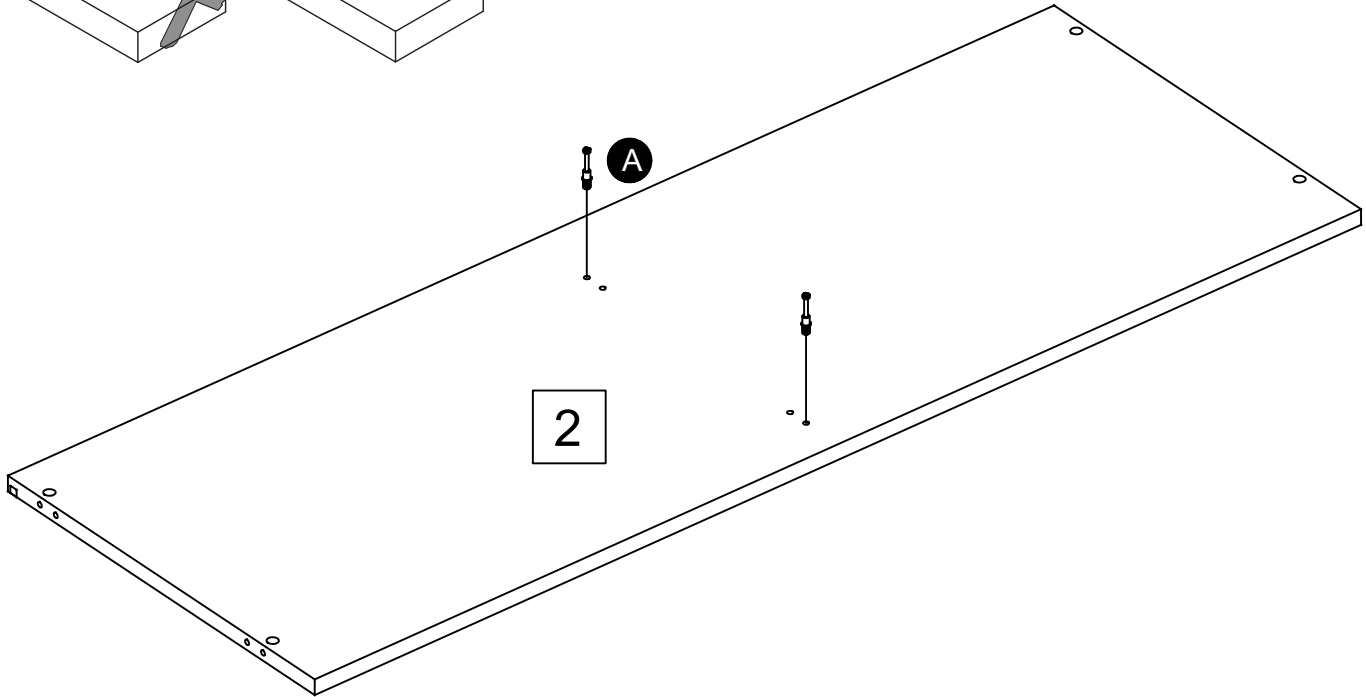
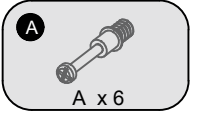
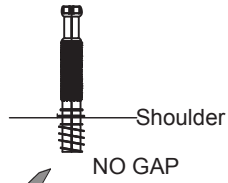
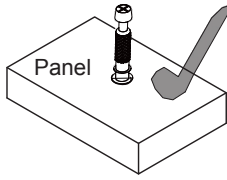
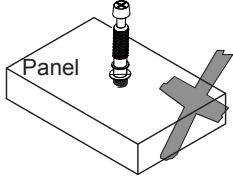


Assembly Instructions

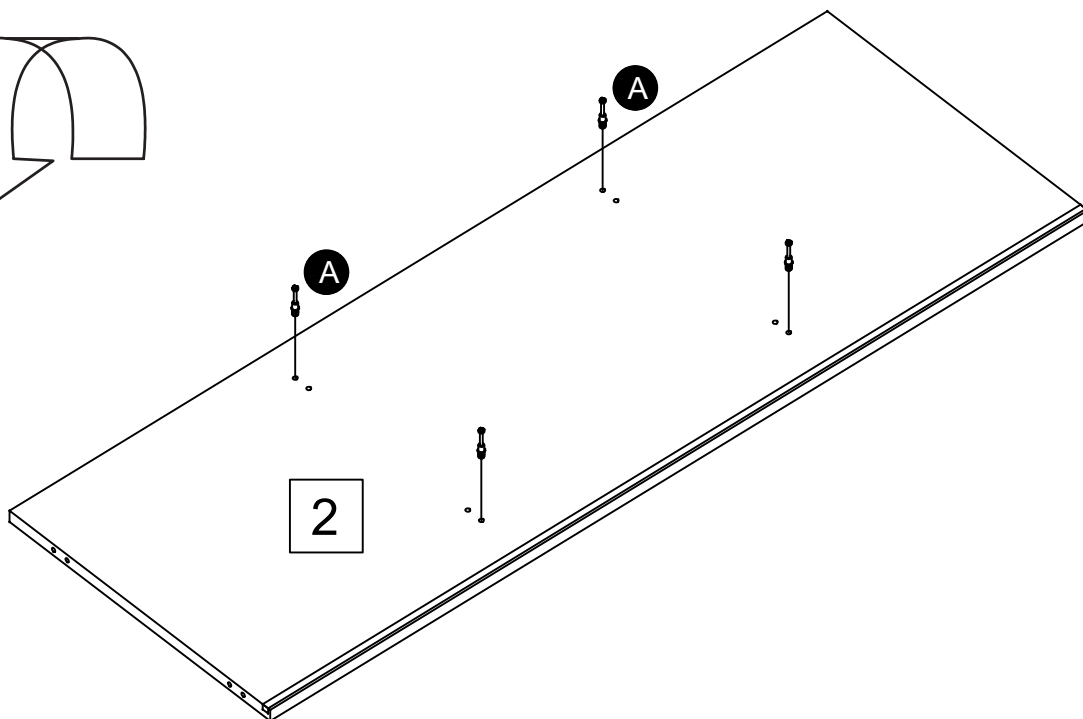
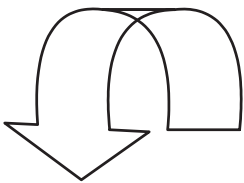
Step 2

CAM-LOCK

Tighten until shoulder is flush with panel. Do not overtighten or undertighten (see example below)



Turn the panel over

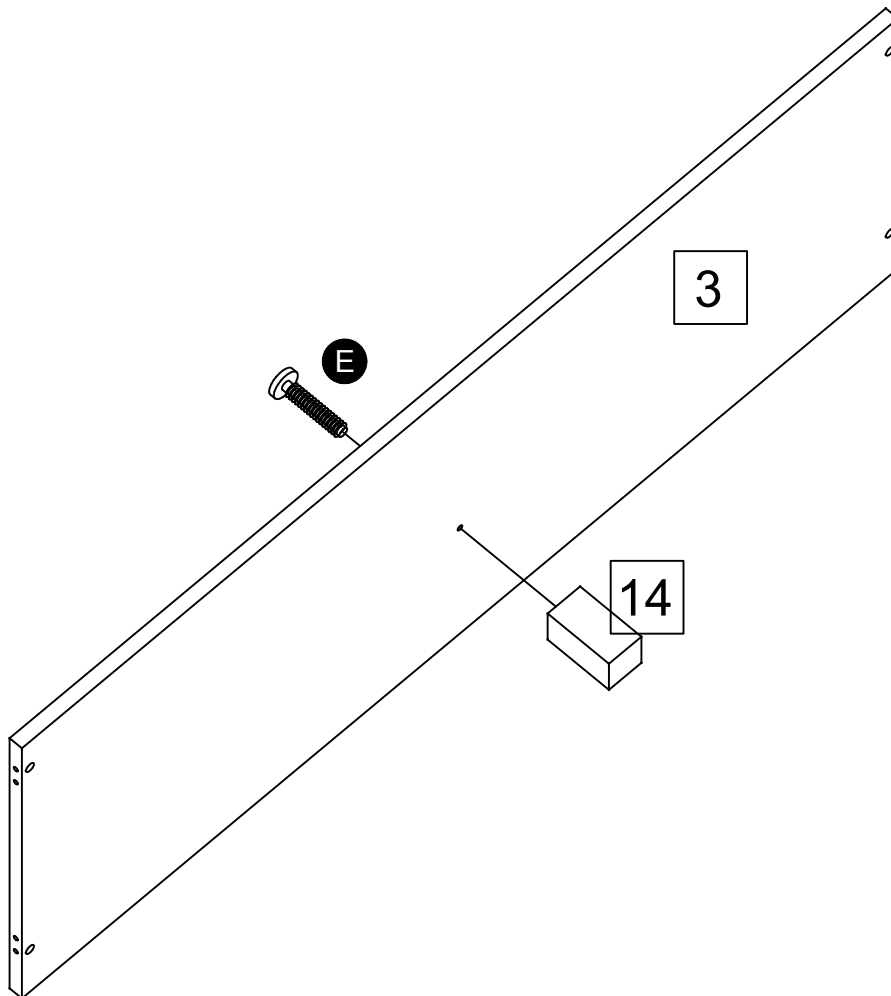
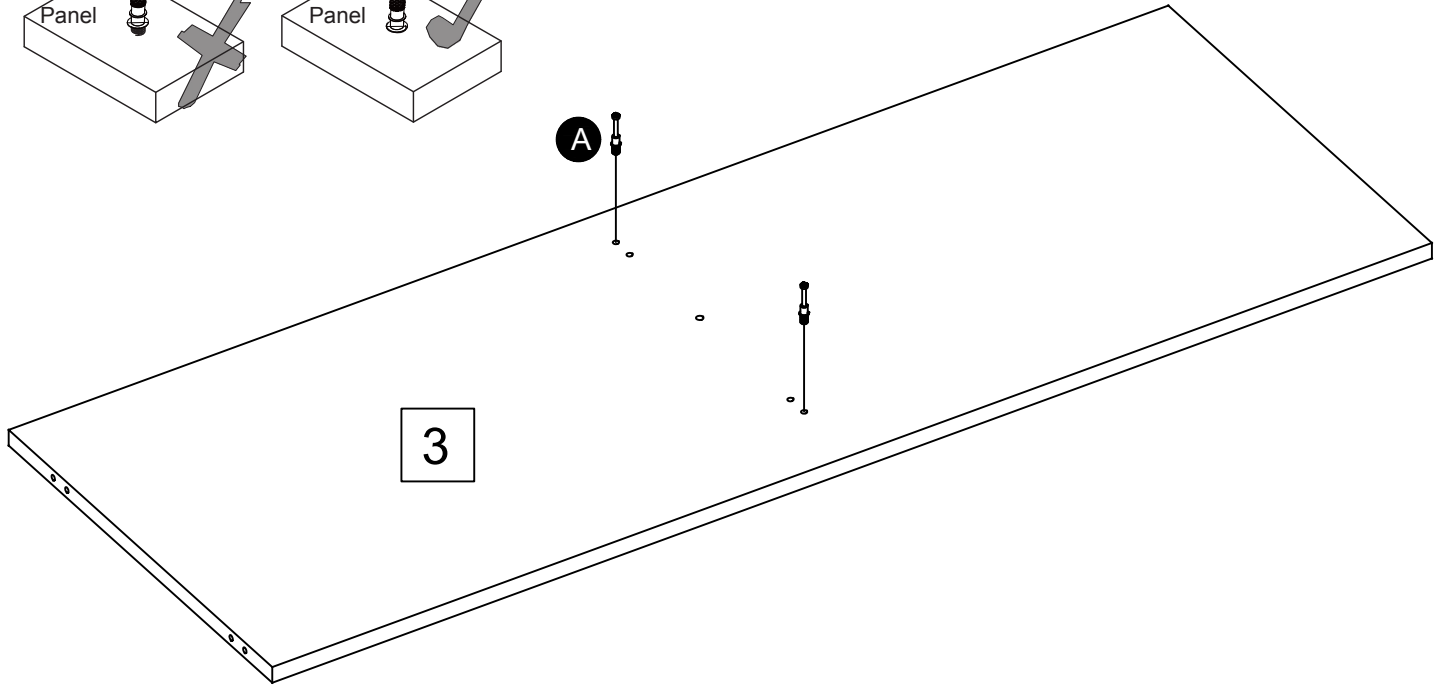
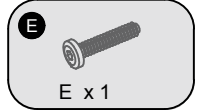
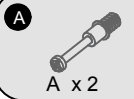
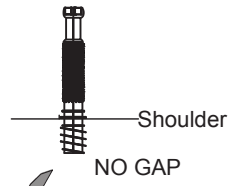
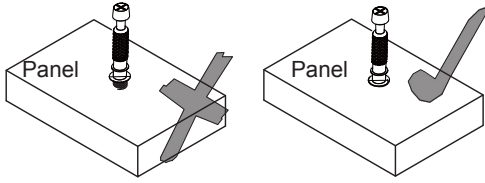


Assembly Instructions

Step 3

CAM-LOCK

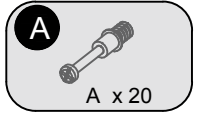
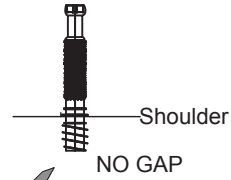
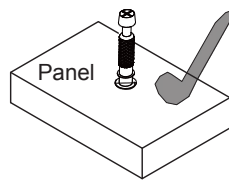
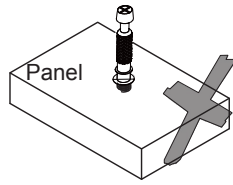
Tighten until shoulder is flush with panel. Do not overtighten or undertighten (see example below)



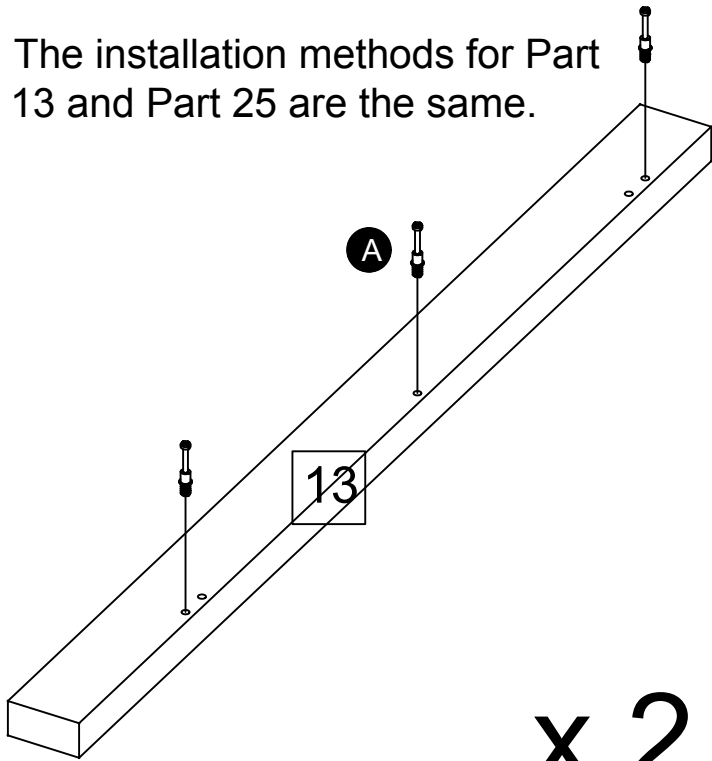
Assembly Instructions

Step 4

CAM-LOCK
Tighten until shoulder is flush with panel. Do not overtighten or undertighten (see example below)

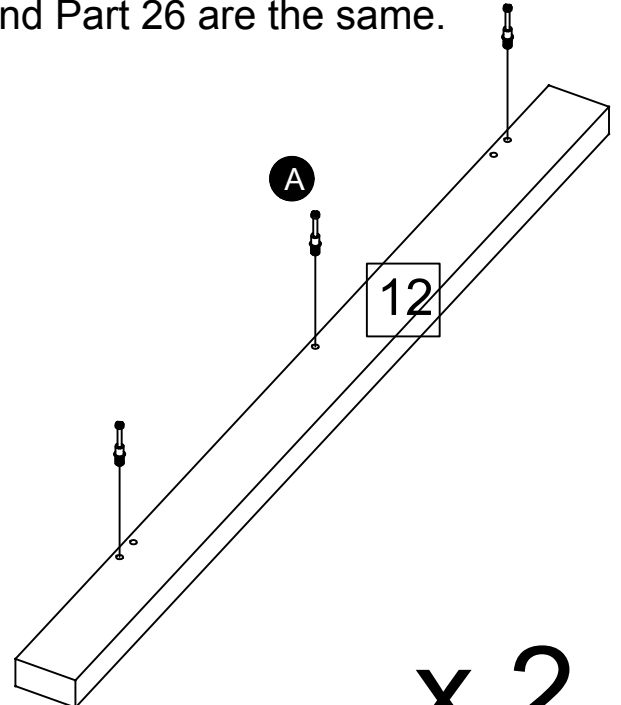


The installation methods for Part 13 and Part 25 are the same.



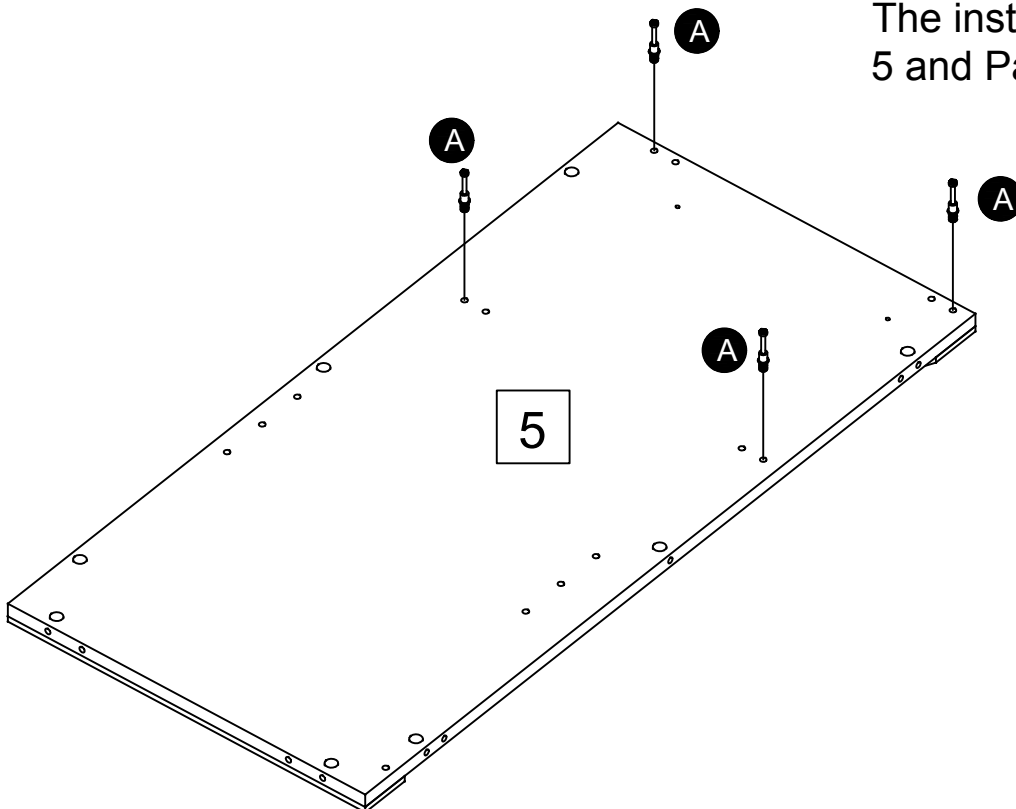
x 2

The installation methods for Part 12 and Part 26 are the same.



x 2

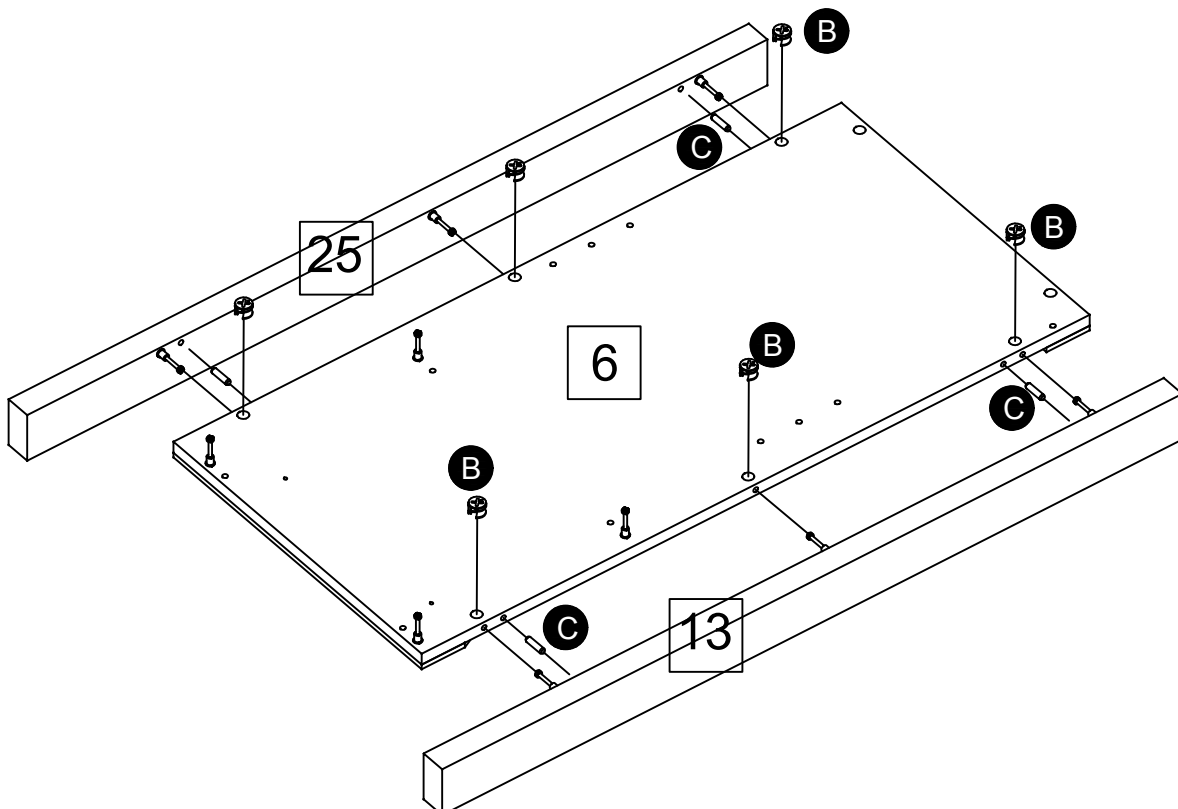
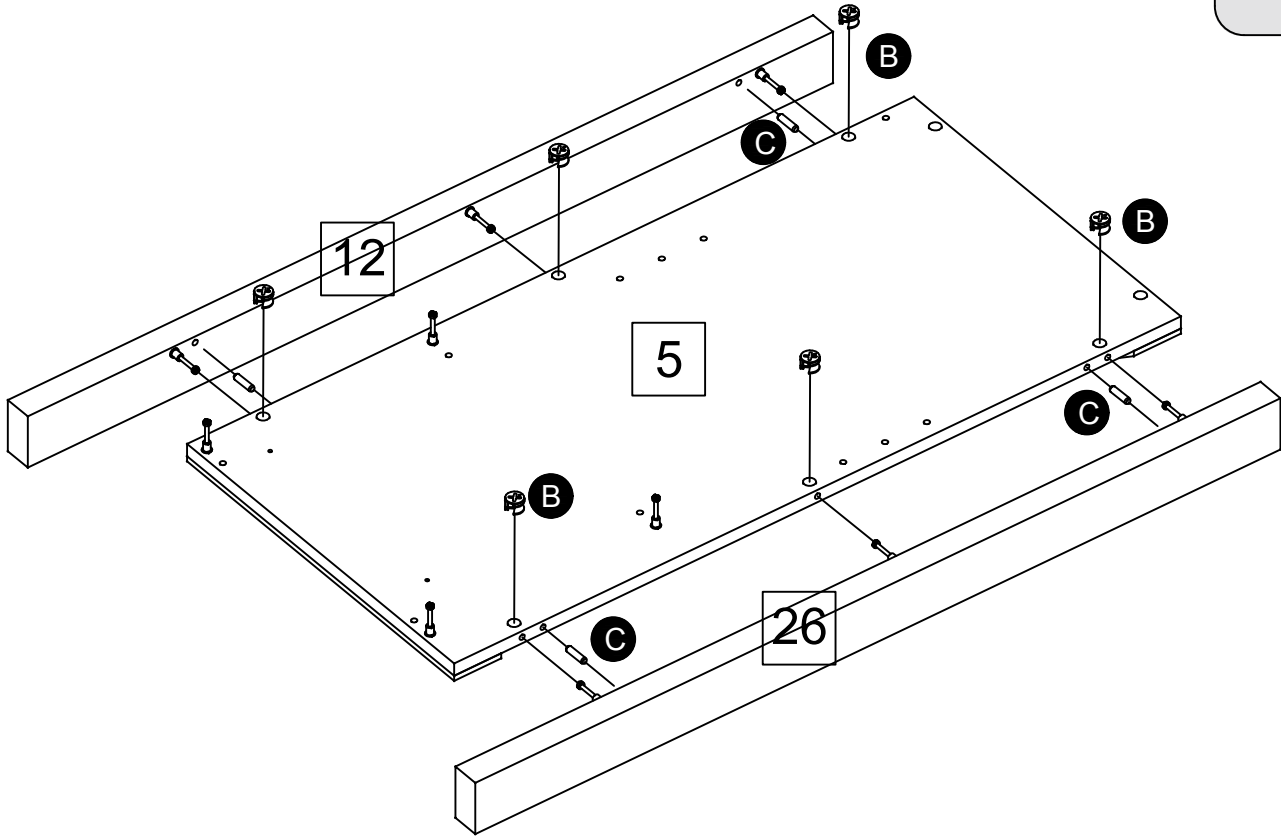
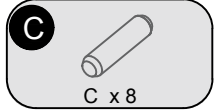
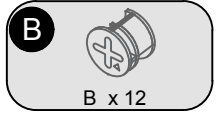
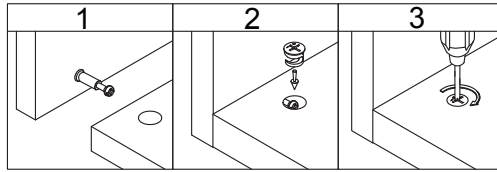
The installation methods for Part 5 and Part 6 are the same.



x 2

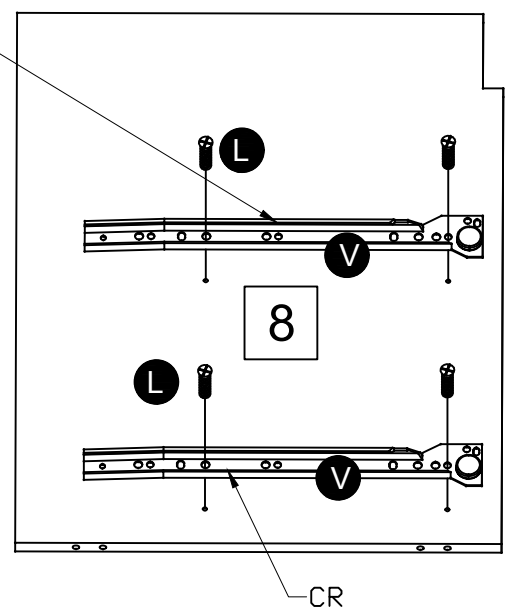
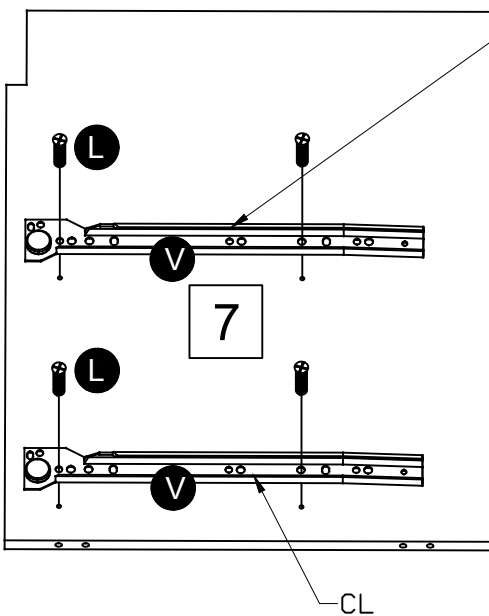
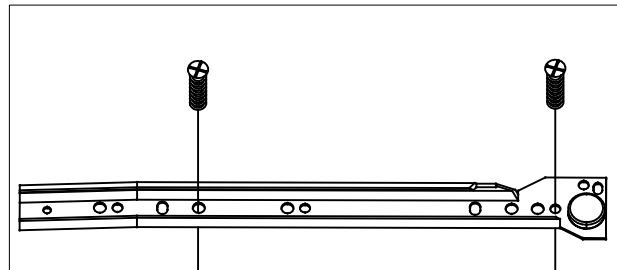
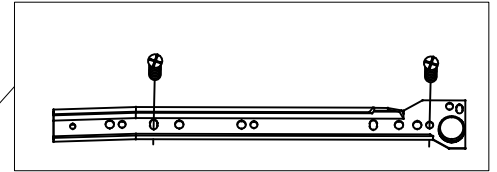
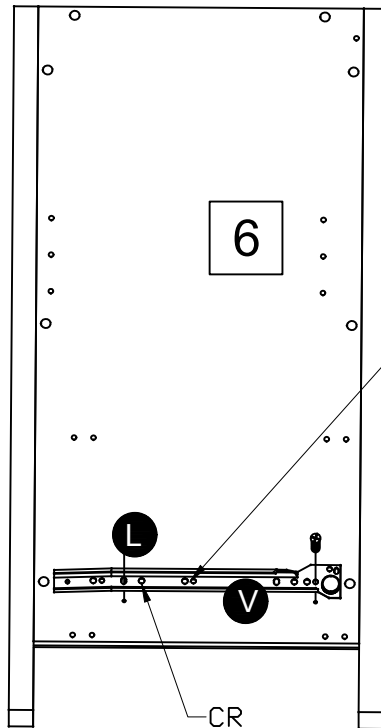
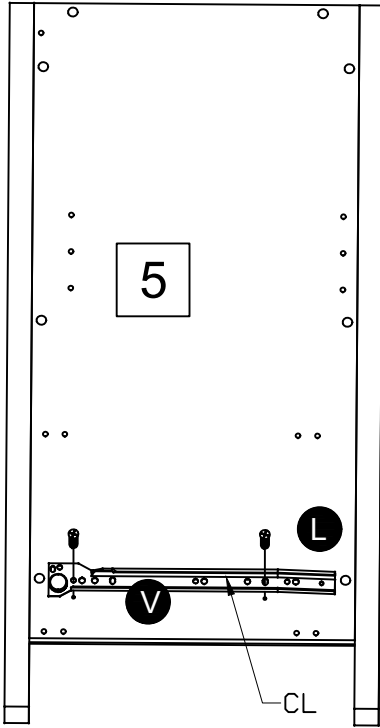
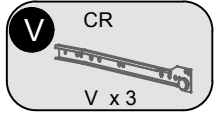
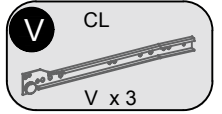
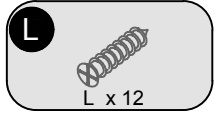
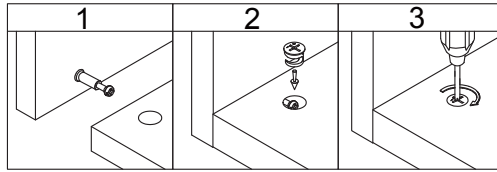
Assembly Instructions

Step 5



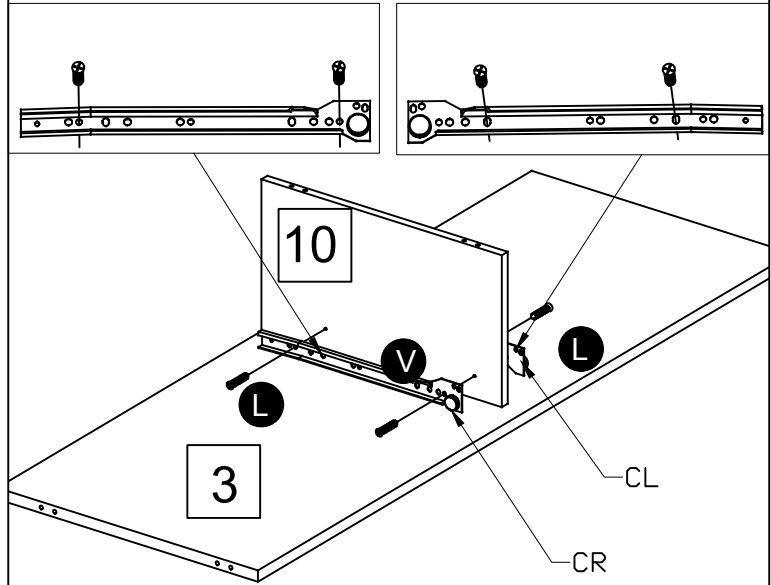
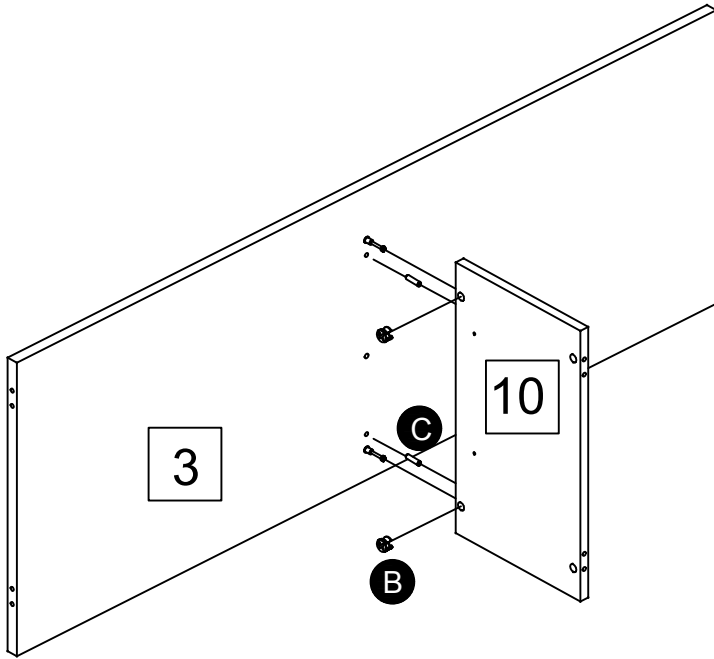
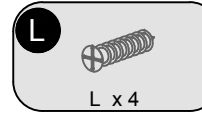
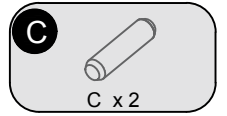
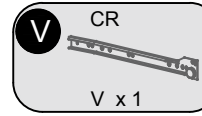
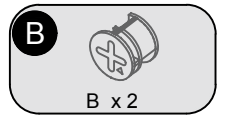
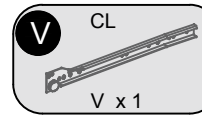
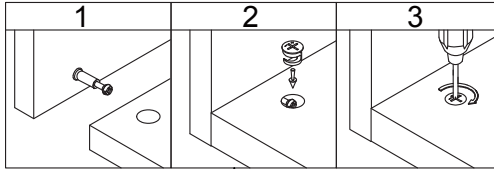
Assembly Instructions

Step 6

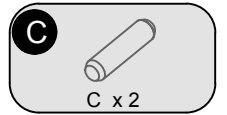
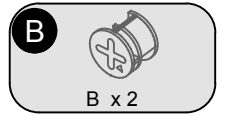
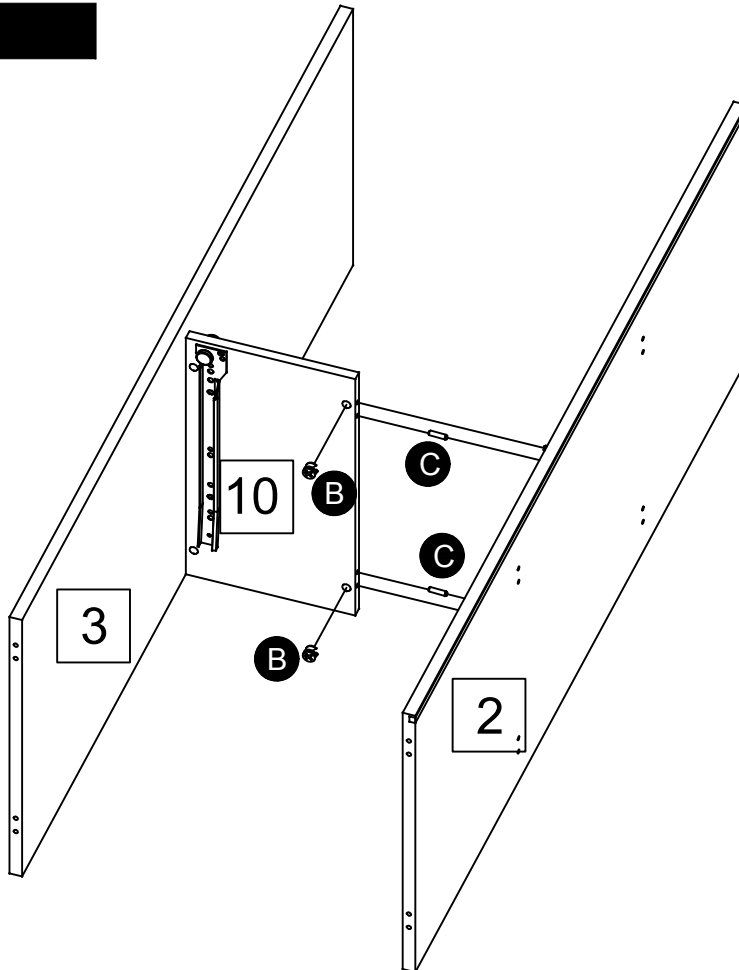


Assembly Instructions

Step 7

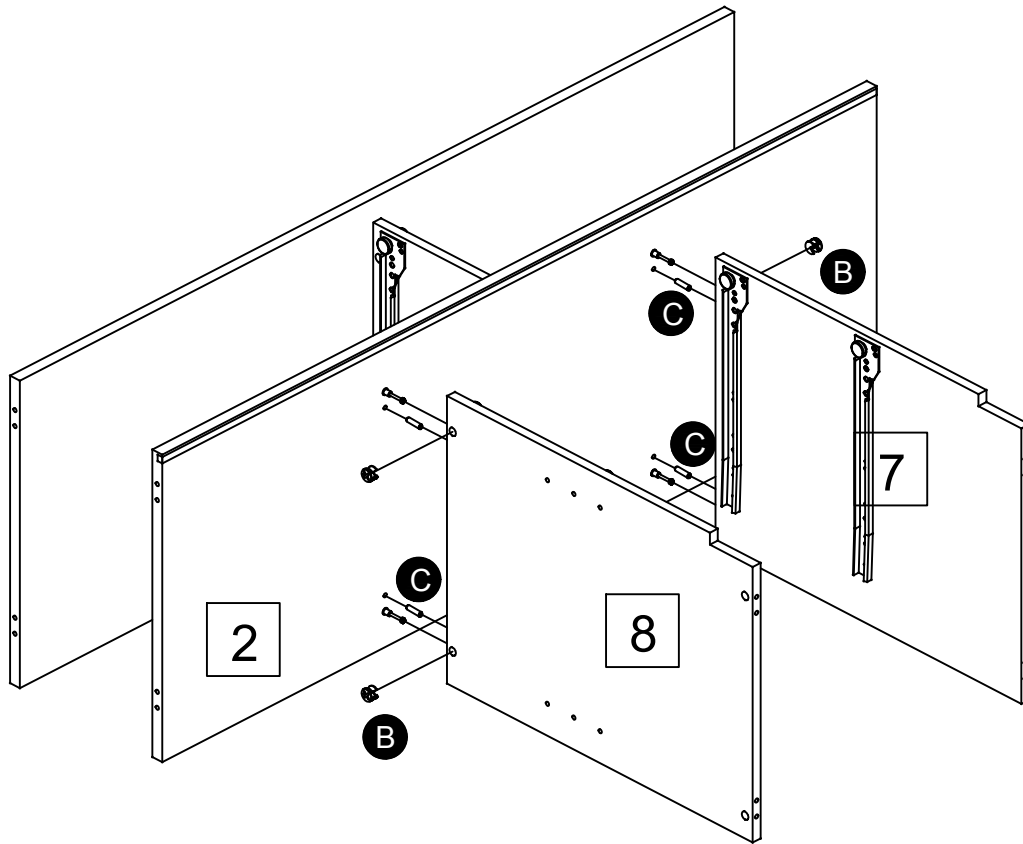
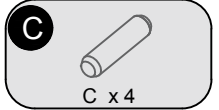
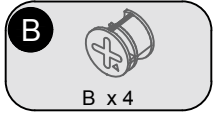
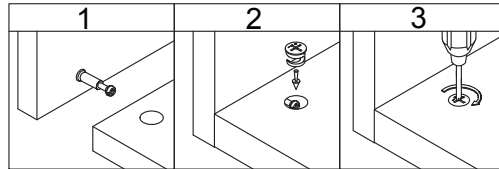


Step 8

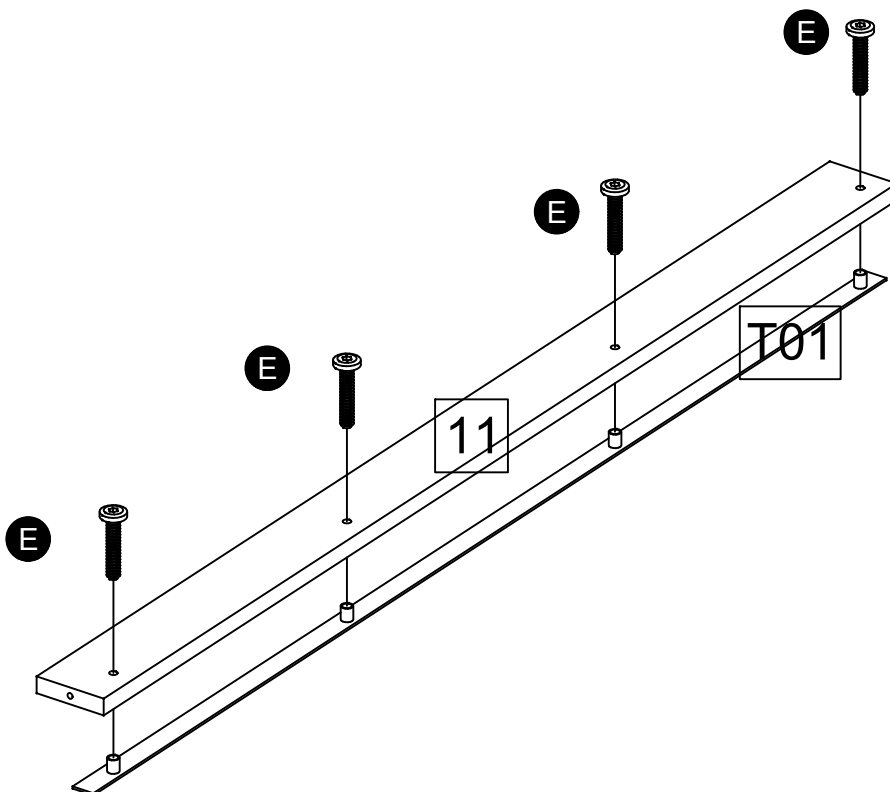


Assembly Instructions

Step 9

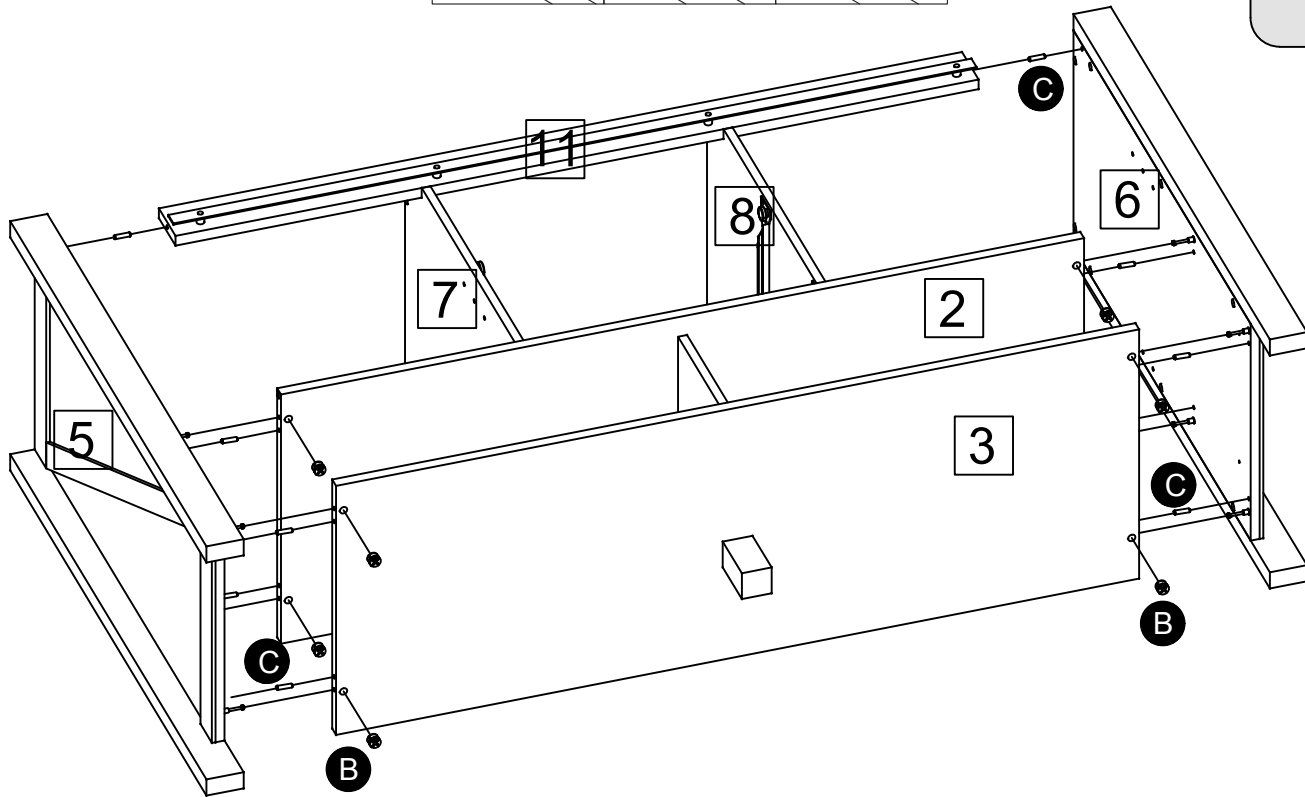
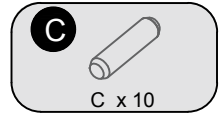
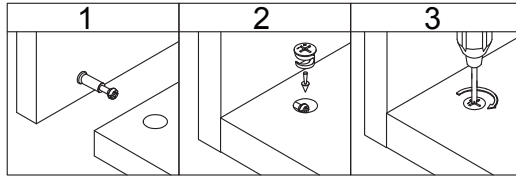


Step 10

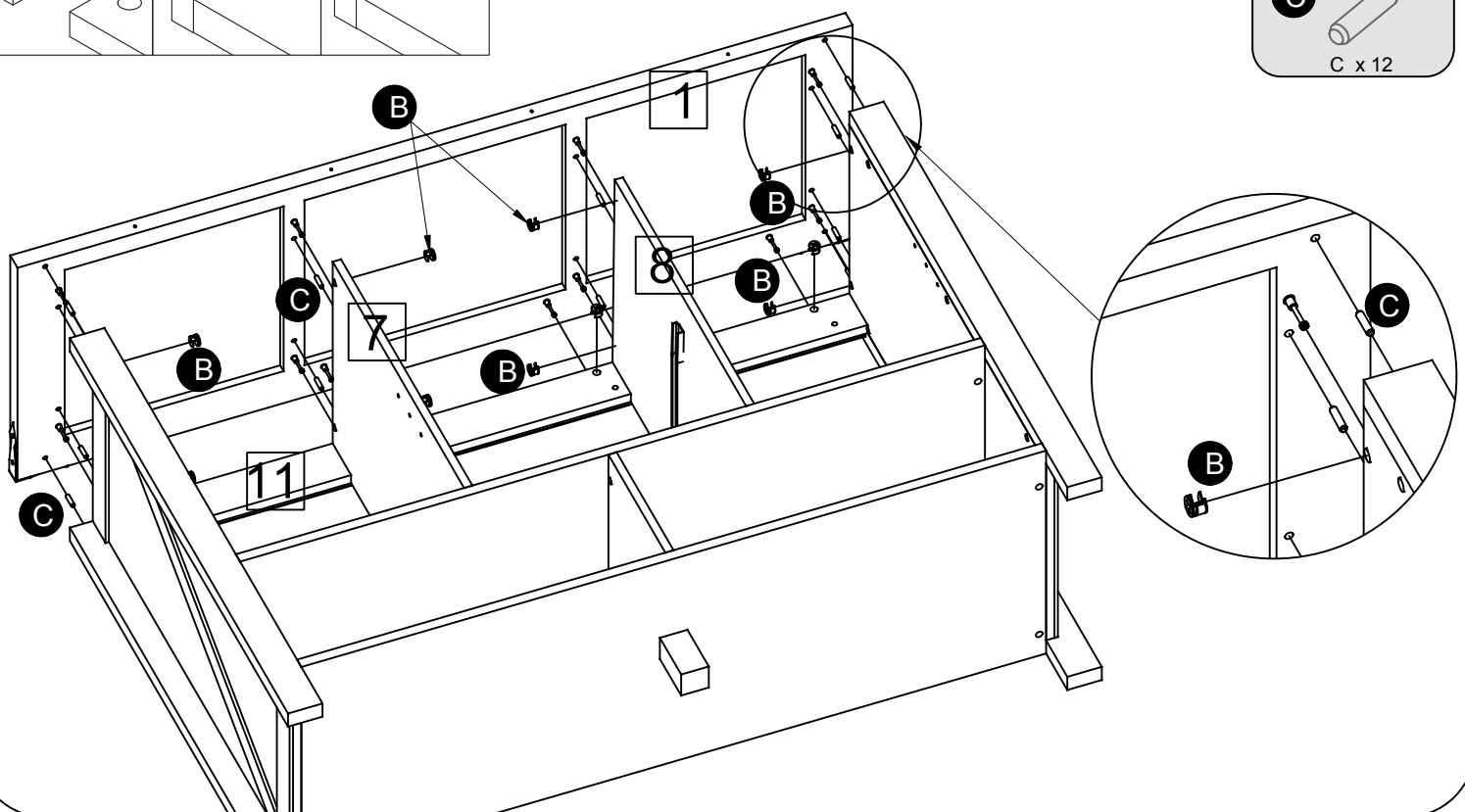
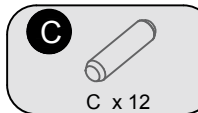
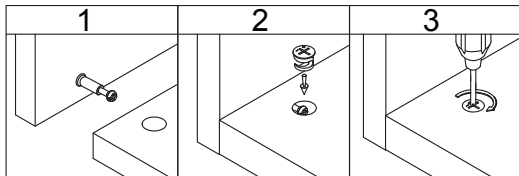


Assembly Instructions

Step 11

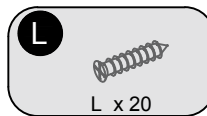
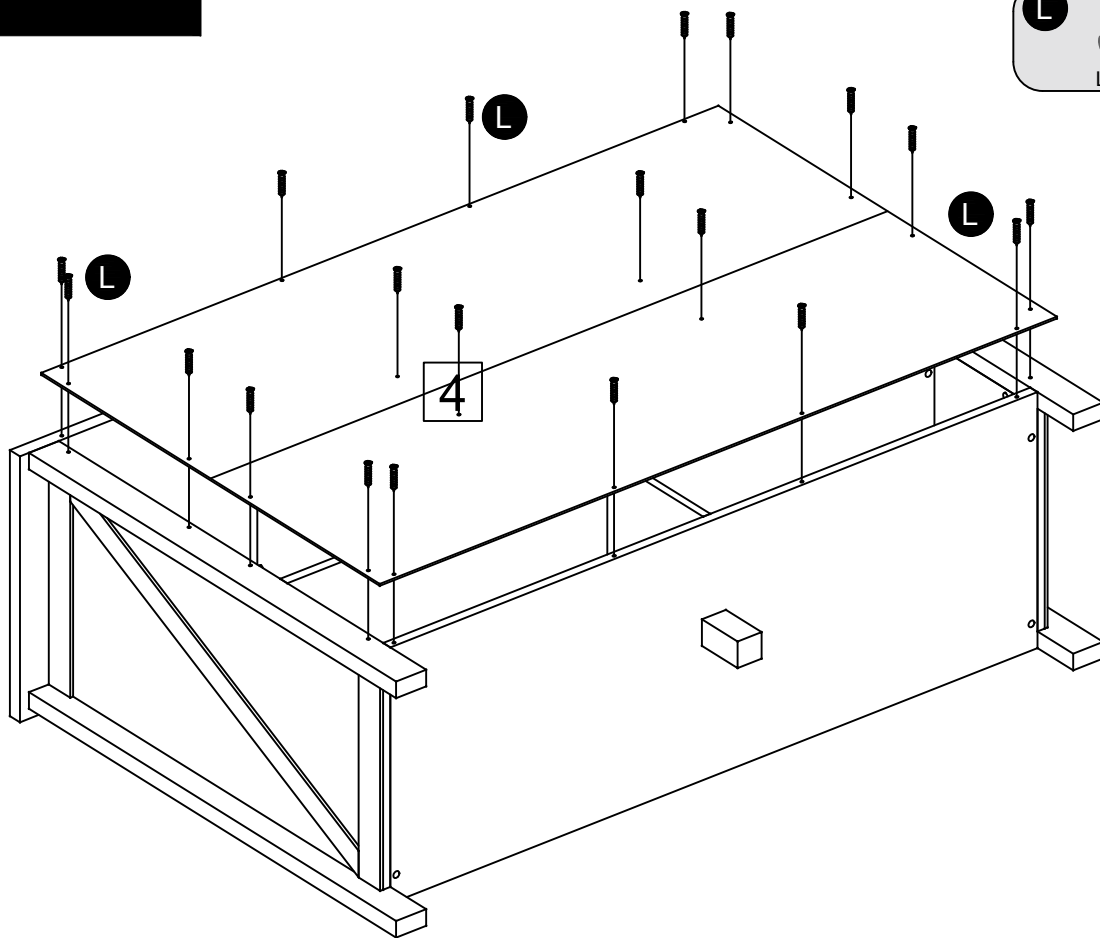


Step 12

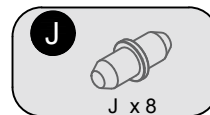
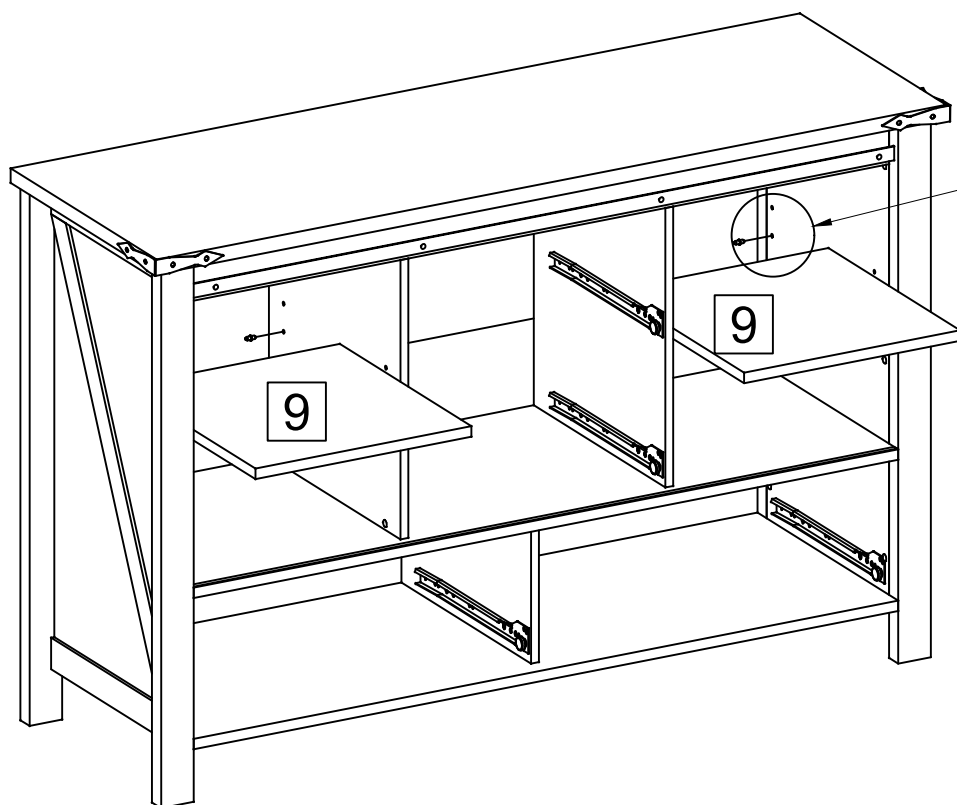


Assembly Instructions

Step 13



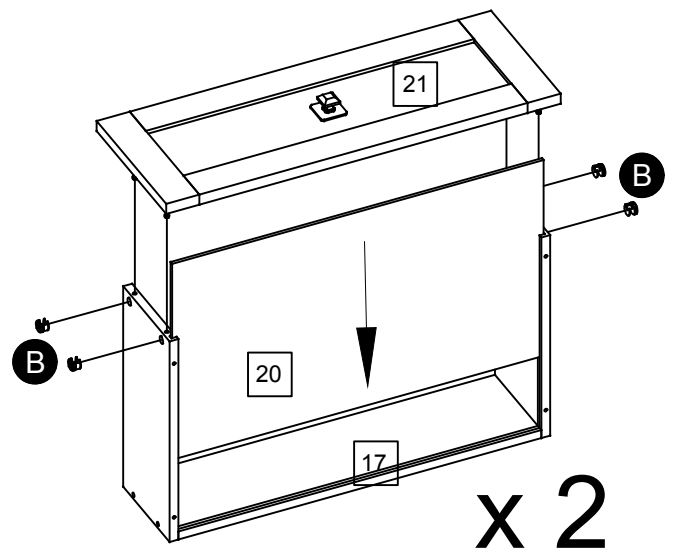
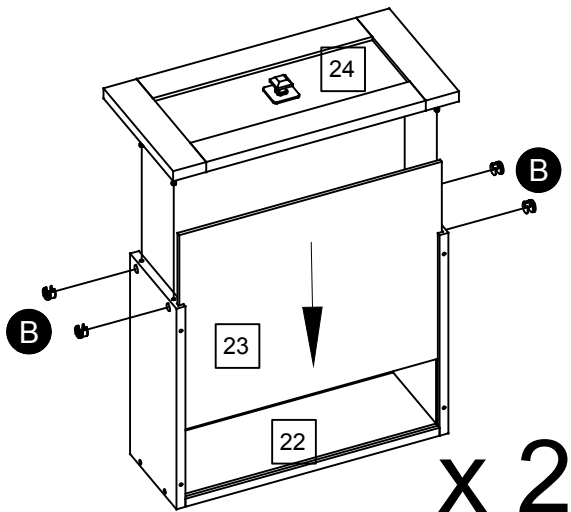
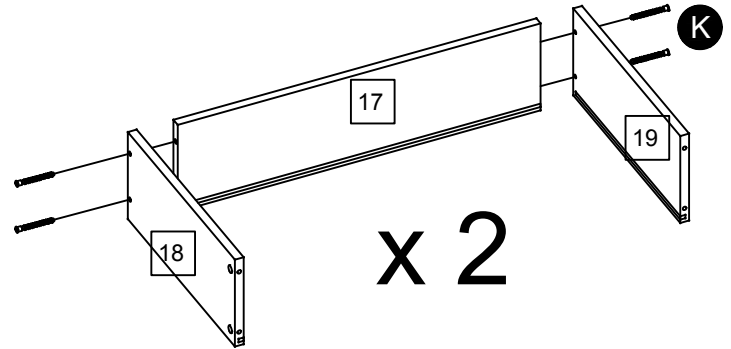
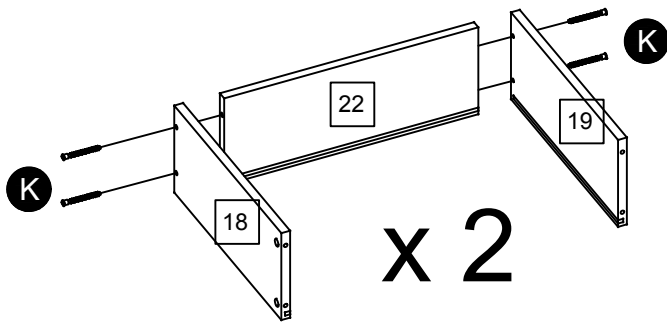
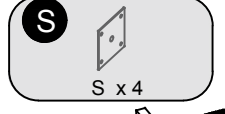
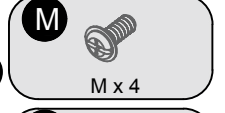
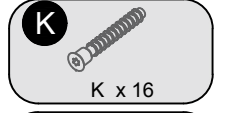
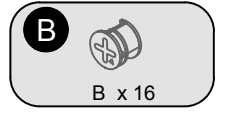
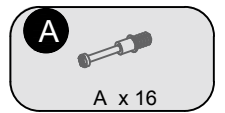
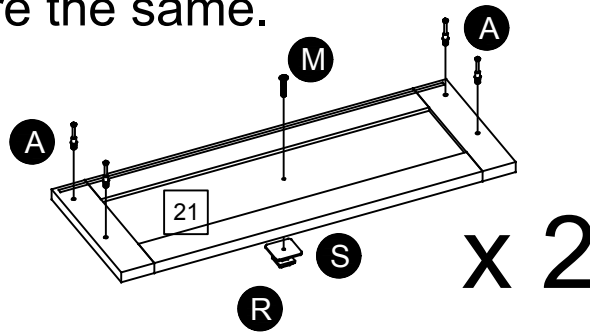
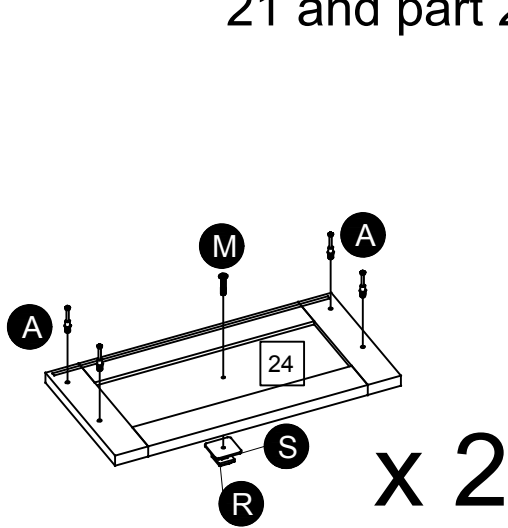
Step 14



Assembly Instructions

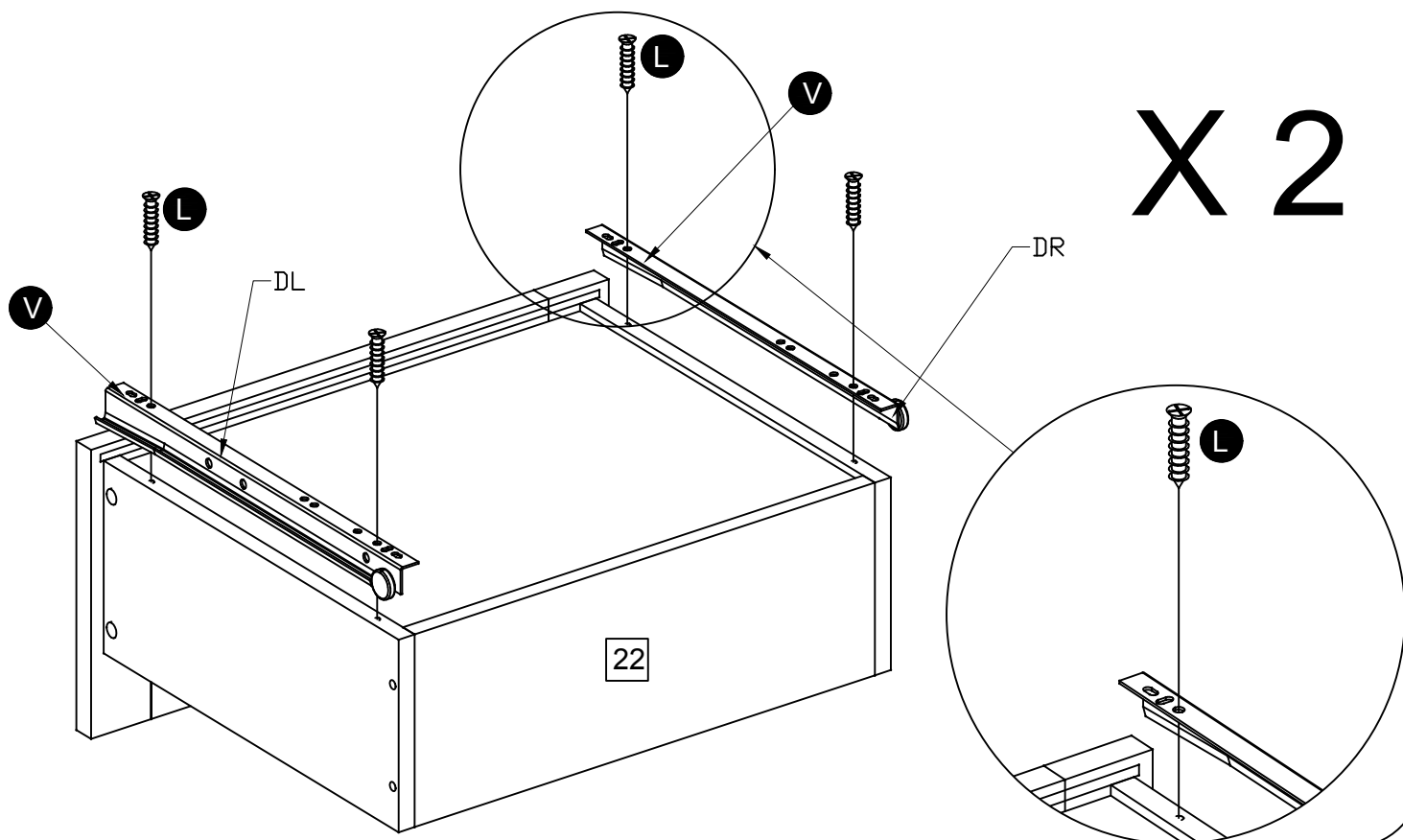
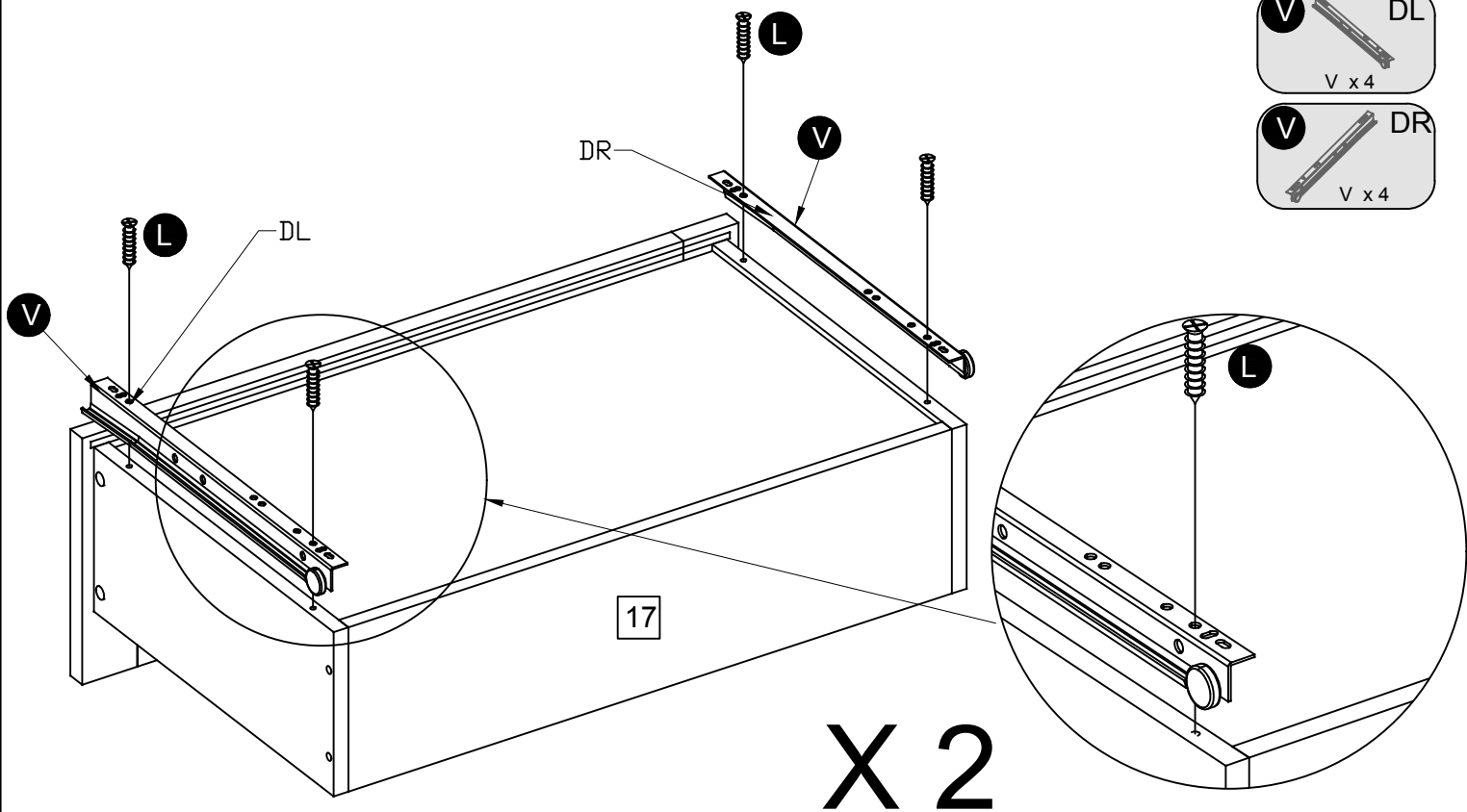
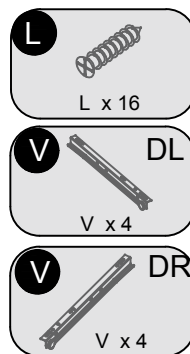
Step 15

The installation methods for part 21 and part 27 are the same.



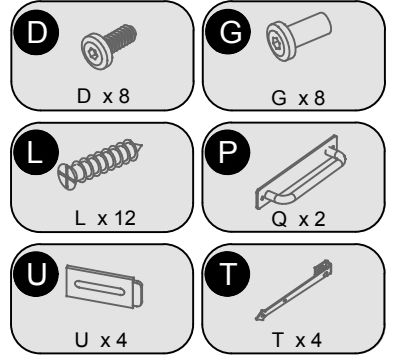
Assembly Instructions

Step 16

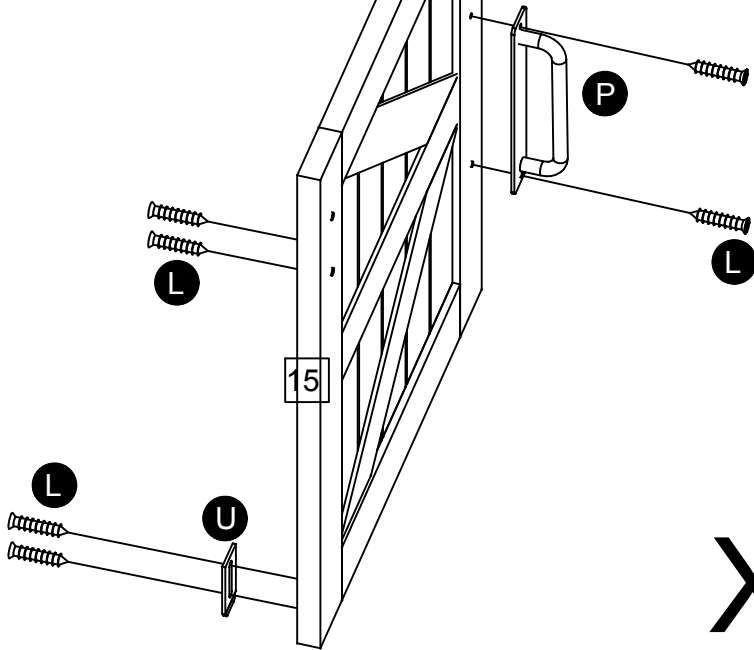


Assembly Instructions

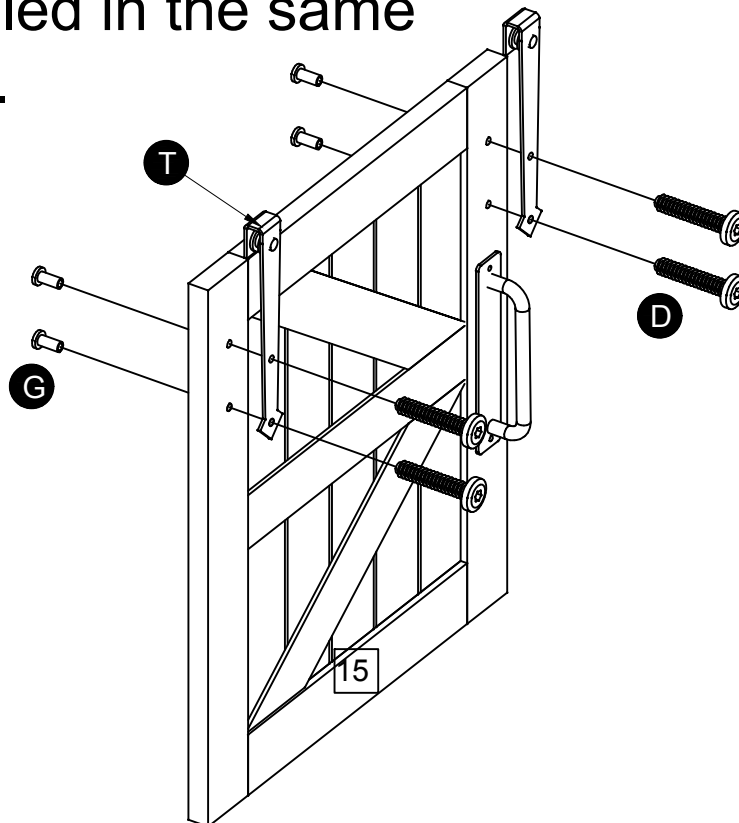
Step 17



Part 16 is installed in the same way as Part 15.

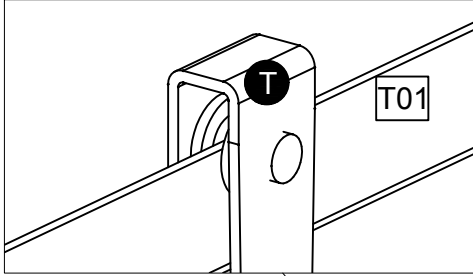


Part 16 is installed in the same way as Part 15.

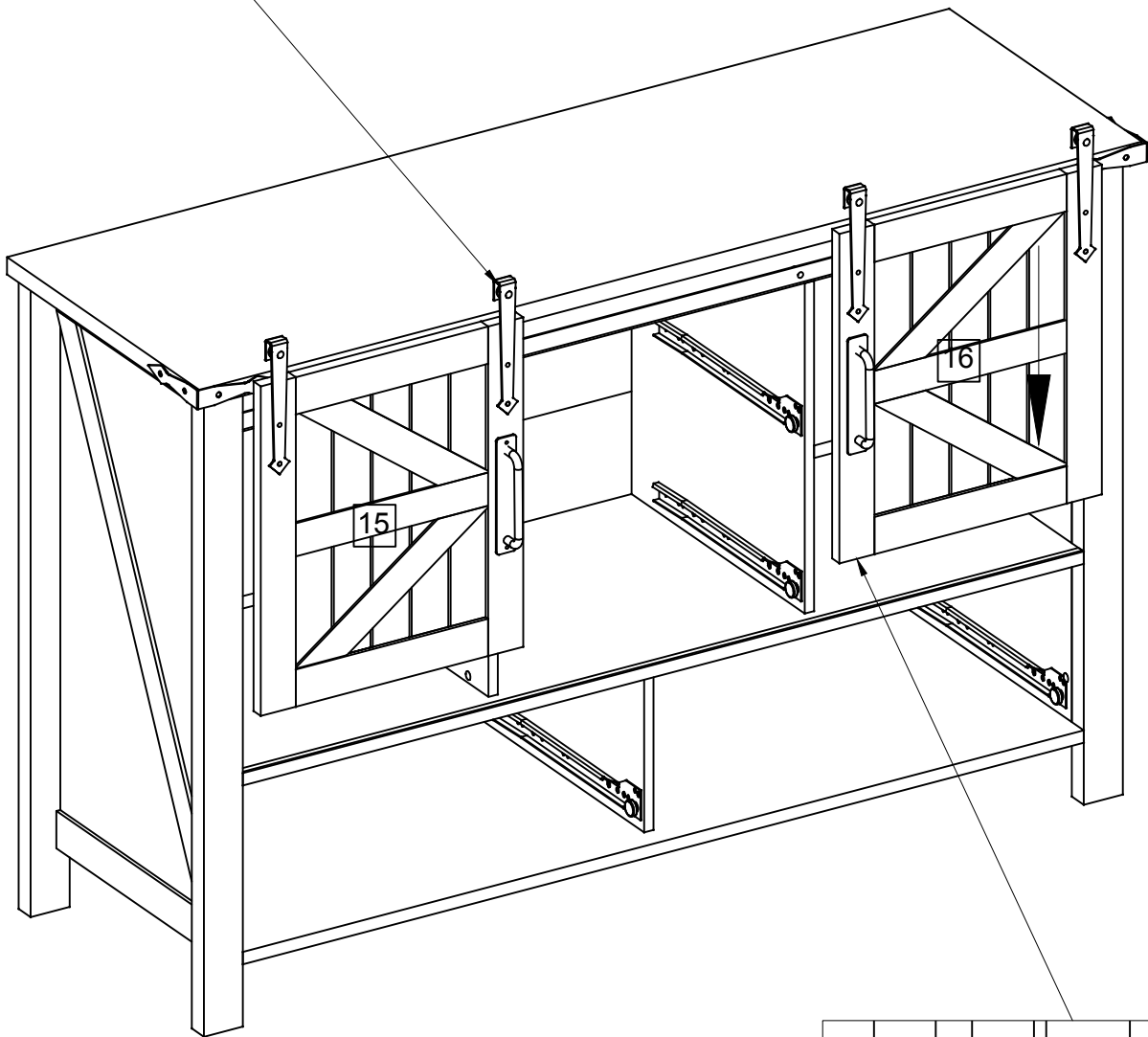


Assembly Instructions

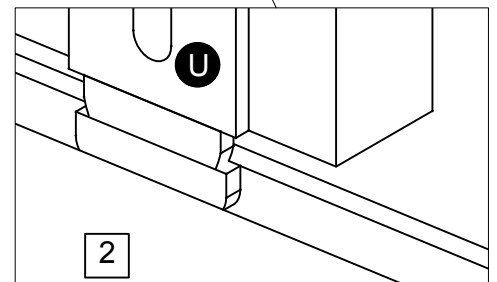
Step 18



1. Please place the pulley of part T on top of part T01 so that the door panel can slide left and right



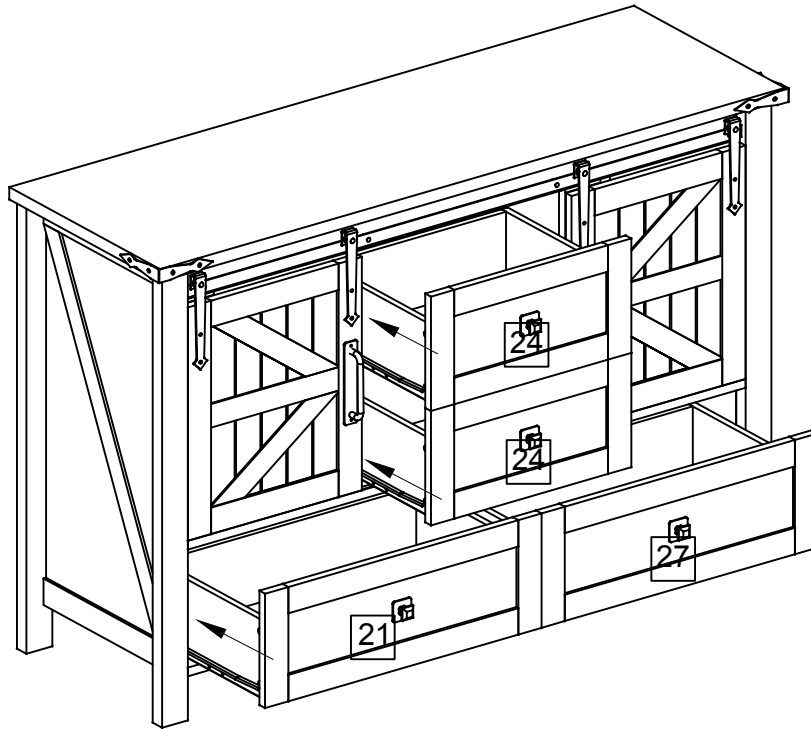
2. Place part U in the aluminum slot of Part 2 so that the door can slide left and right



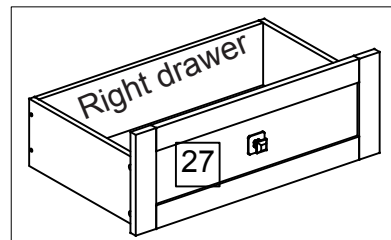
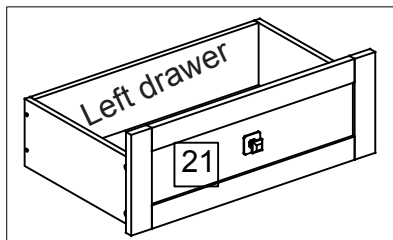
Assembly Instructions

Step 19

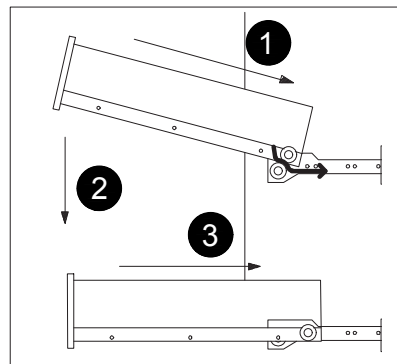
Congratulation! You've made to the last step! But don't be too thrilled yet, put on the drawer can be frustrating if you do it wrong. So, take your time and follow the steps below.



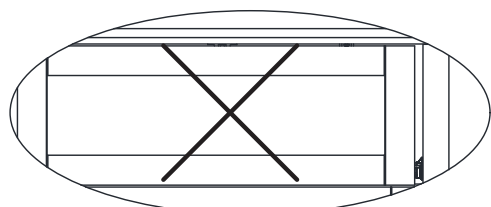
1. Make sure that you have right and left drawers sorted out first, because the drawer panel may cover the side if the right drawer is on the left side, vice versa.



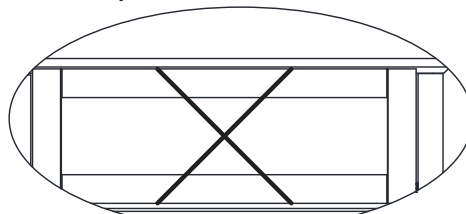
2. Please ensure that you have matched the wheels on BOTH sides of the drawer with the wheels on rails installed BEFORE push in the drawer.



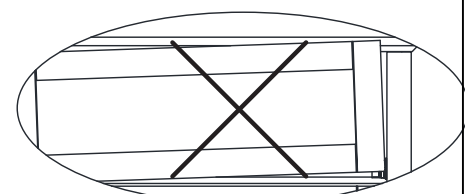
3. If the following occurs, redo the first step.



(drawer is on the wrong side)



(both wheel are off the rails)

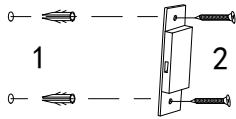


(one wheel is off the rail)

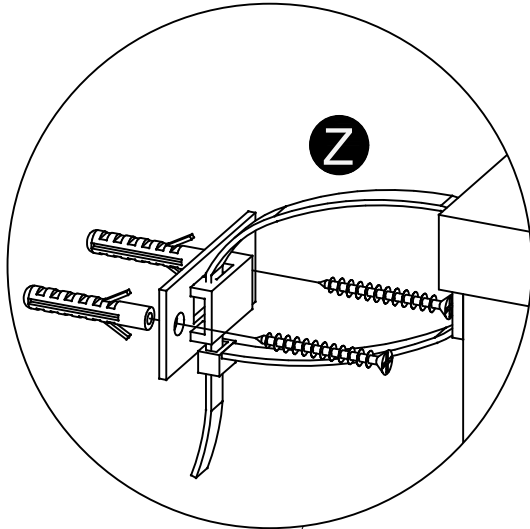
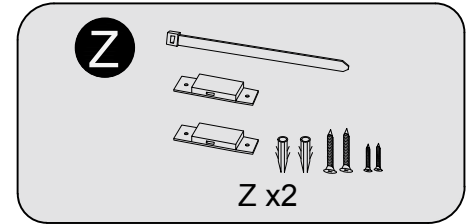
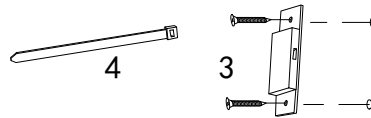
Assembly Instructions

Step 20

WALL



BOARD

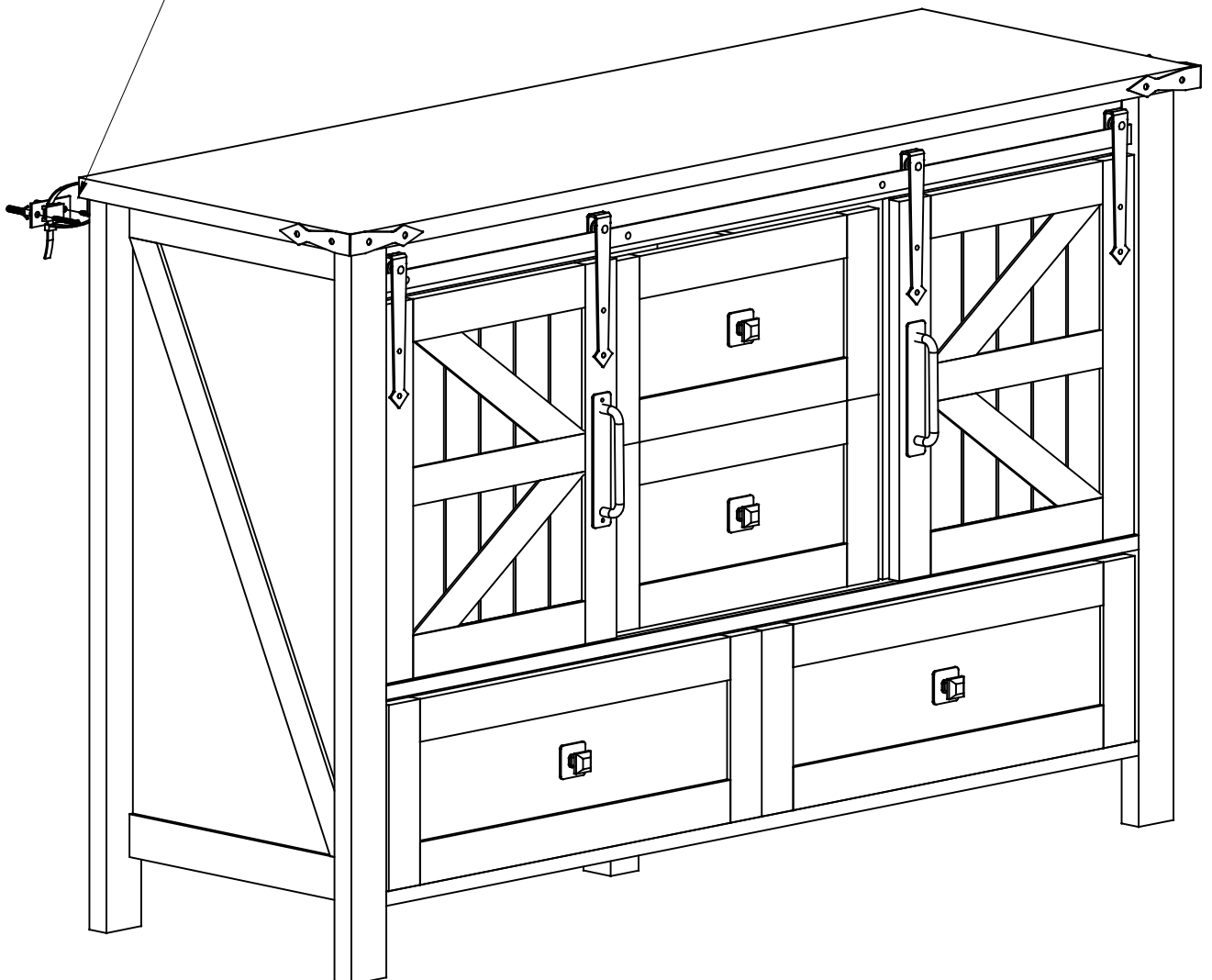


1. Drive the expansion screw into the appropriate position on the wall

2. Use long screws to install one of the plastic buckle seats in the appropriate position on the wall.

3. Use short screws to install the other plastic buckle in the appropriate position on the cabinet.

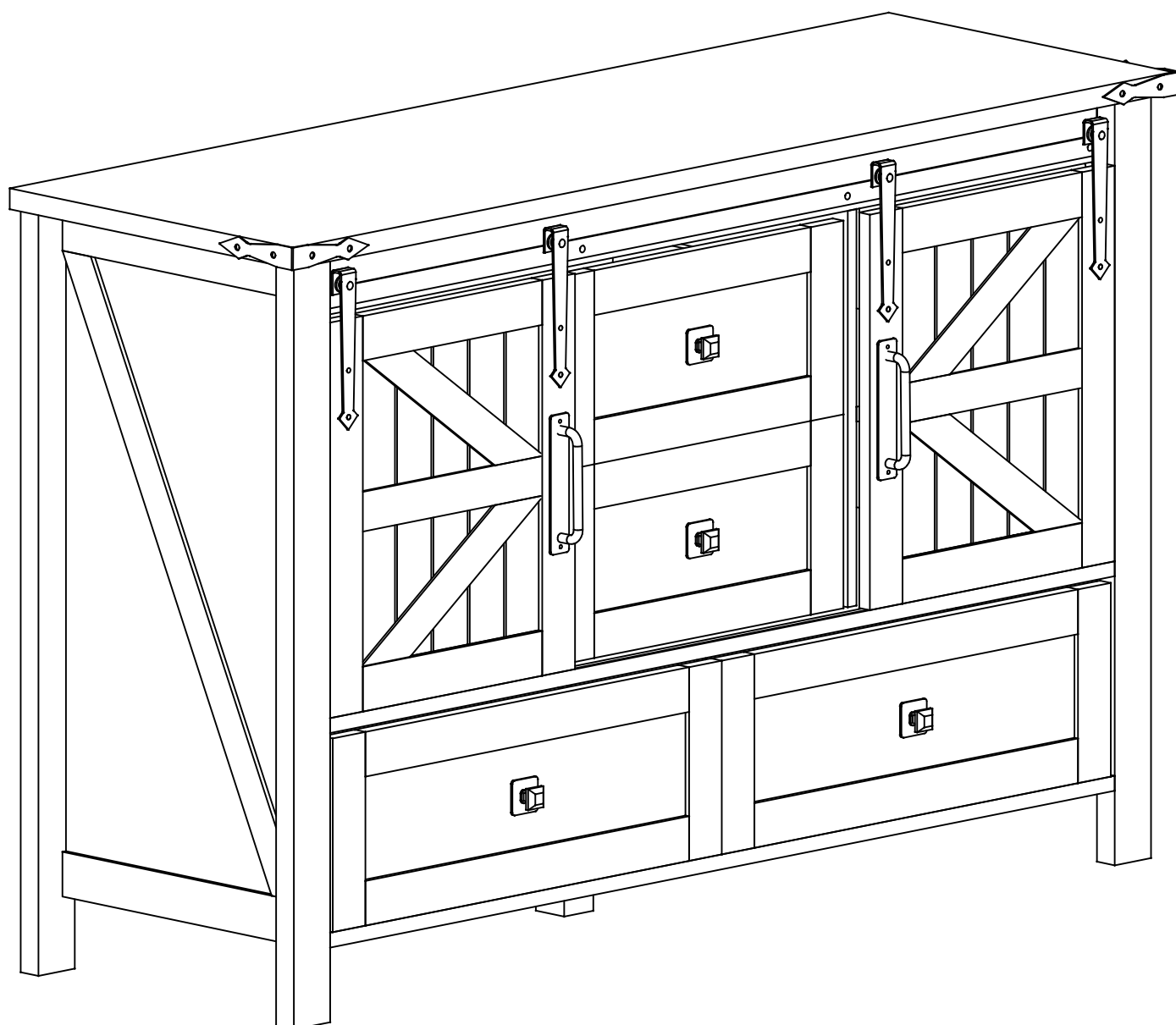
4. Push the cable tie through the two plastic buckle seats and pull tight. As shown in the figure.



Assembly Instructions

Step 21

Finished assembly



A Guide to Wall Mounting & Fixings

Important note:

If plastic wall plugs (rawl plugs) are supplied with your product, e.g.:



- these are only suitable for use in masonry walls.

If you are in any doubt about the correct wall plugs for your wall, seek professional advice.


Failure of the product due to using the incorrect fixings is the responsibility of the installer.



Important: when drilling into walls always check that there are no hidden wires or pipes etc.

Make sure that the screws and wall plugs being used are suitable for **supporting your unit**. **Consult a qualified tradesperson if you are unsure.**

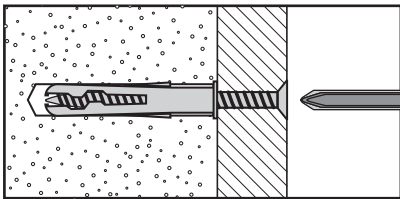
Hints:

- 1: General rule:  always use a larger screw and wall plug if you are not sure.
- 2: Ensure you use the recommended drill bit to match the wall plug and hole size.
- 3: Ensure you drill the hole horizontally; do not force the drill or enlarge the hole.
- 4: Take extra care when drilling high walls, ceilings and ceramic tiles. Ensure wall plugs are inserted beyond the thickness of the ceramic tiles to avoid the tiles splitting or cracking.
- 5: Ensure wall plugs are well fitted and are a tight fit in the drilled hole.

Types of walls

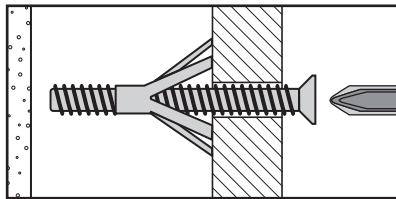
You can use one of the following types of wall plug if your walls are made of brick, breeze block, concrete, stone or wood.

No.1 "General Purpose" wall plug



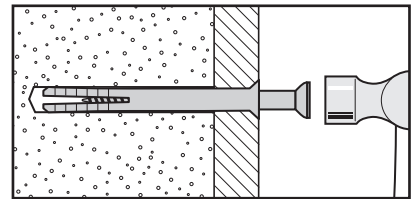
Generally aerated blocks should not be used to support heavy loads, use a specialist fitting in this case. For light loads, general purpose wall plugs can be used.

No.3 "Cavity Fixing" wall plug



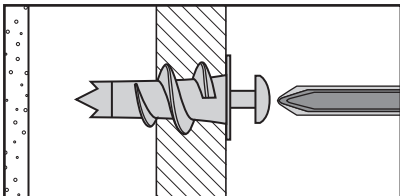
For use with plasterboard partitions or hollow wooden doors.

No.5 "Hammer Fixing" wall plug



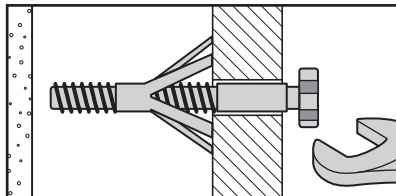
For use with walls stuck with plasterboard. The hammer fixing allows it to be fixed to the wall rather than the plasterboard. Always check the fixing is secure to the retaining wall.

No.2 "Plasterboard" wall plug



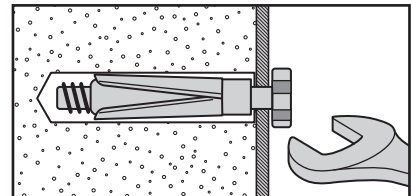
For use when attaching light loads onto plasterboard partitions.

No.4 "Cavity Fixing - Heavy Duty" wall plug



For use when fitting or supporting heavy loads such as shelving, wall cabinets and coat racks.

No.6 "Shield Anchor" wall plug - heavy loads



For use with heavier loads such as TV and HiFi speakers and satellite dishes etc.



Care & Maintenance

Safety: always check the fitting and location to ensure your safety in and around the home.

Fitting: from time to time check the fitting to ensure the wall plugs or screws do not become loose.