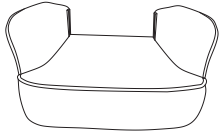


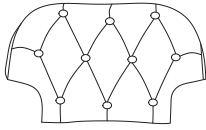
ASSEMBLY INSTRUCTION

1



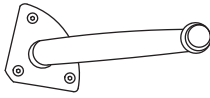
1pc

2



1pc

3



4pcs

4



M6*20MM

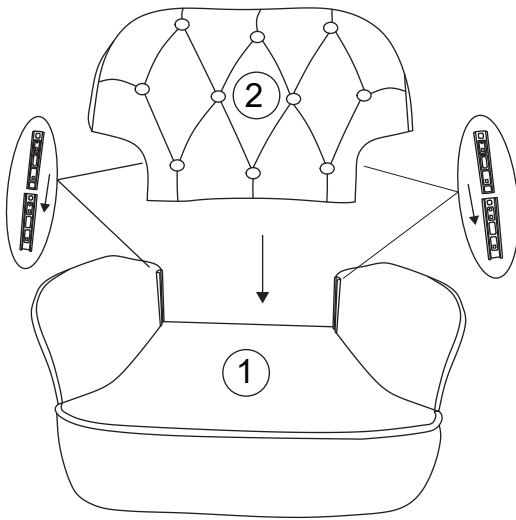
12pcs

5

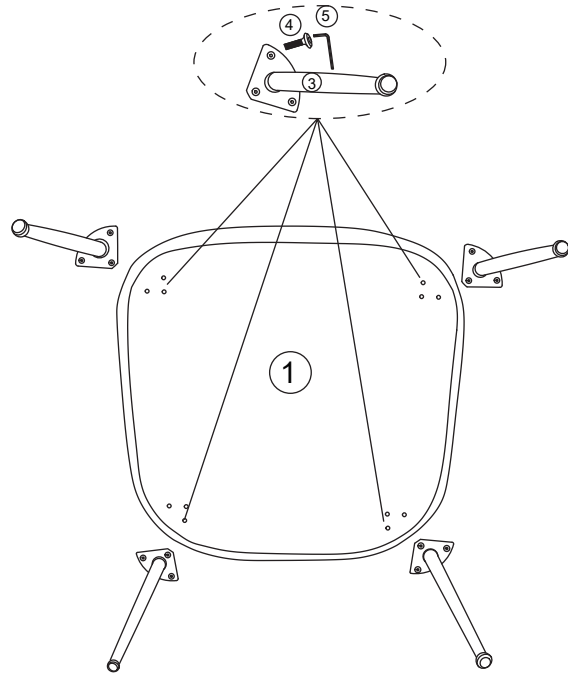


M6

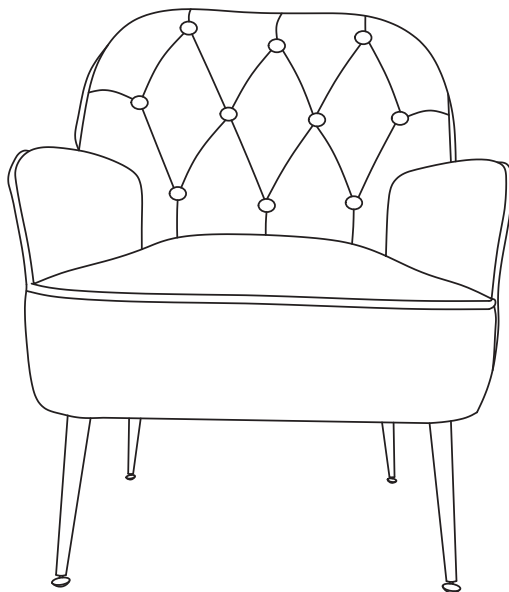
1pc



Step 1



Step 2



Step 3