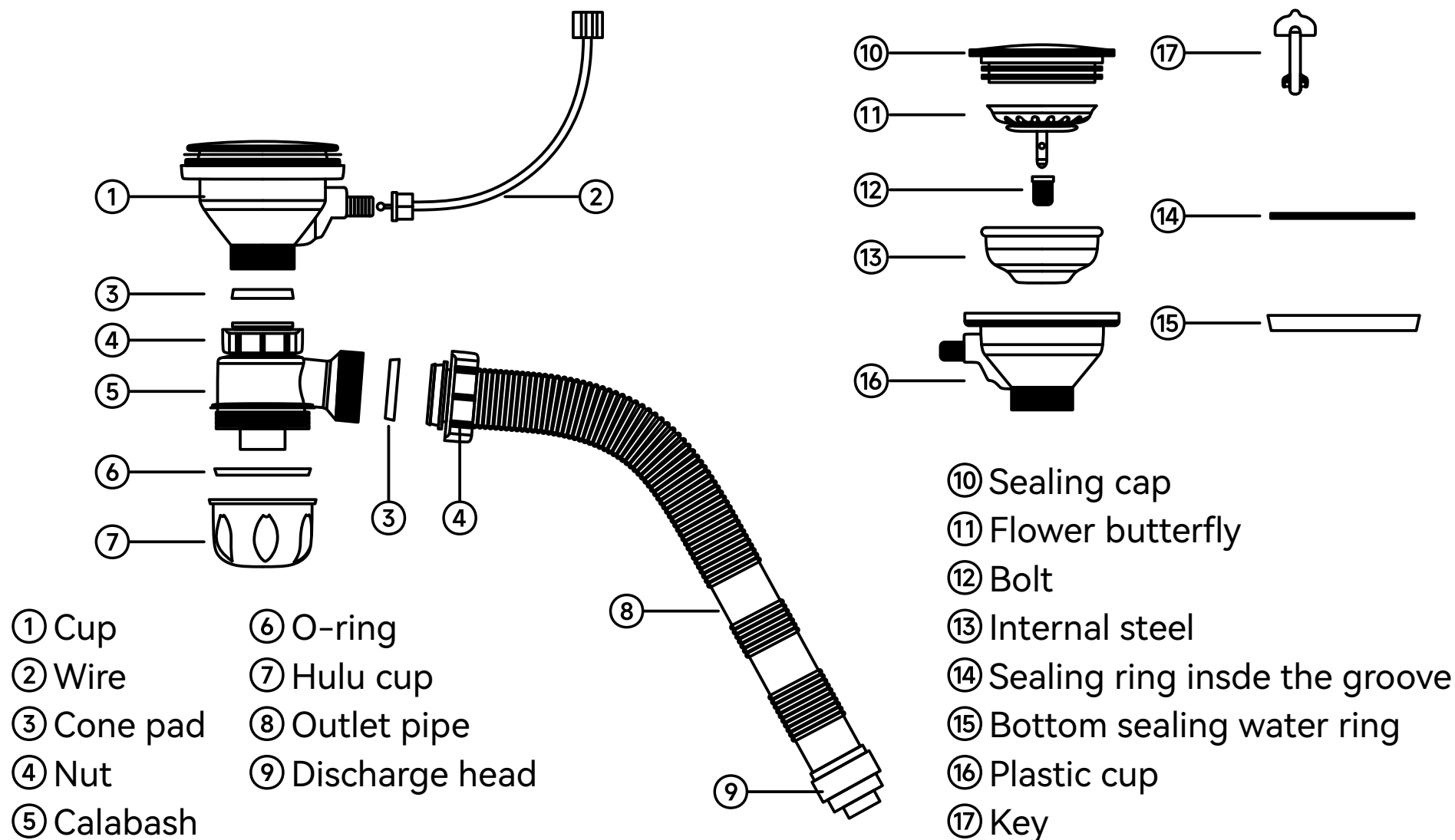


# Product Installation Diagram



## Installation Note:

This drain pipe is an optional part and only compatible with our pop-up drain with knob control unit. We recommend using a standard U.S. metal P-trap. If a garbage disposal is to be installed, the knob control drain must be removed — the two cannot be used together.