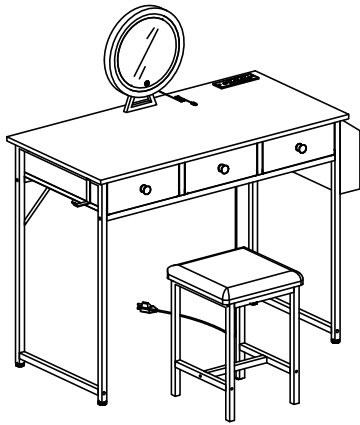

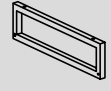
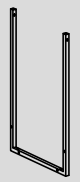

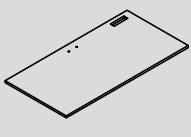
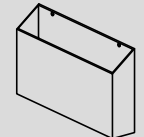
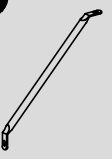
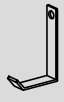


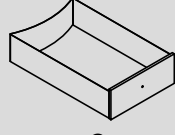
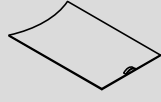
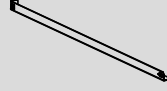

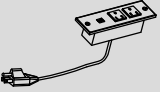
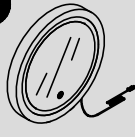
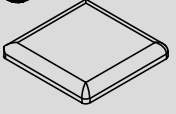











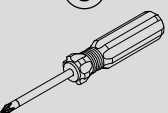





## Important:



1. It's recommended to have two people for the installation, this will significantly improve your efficiency.
2. Before you begin: lay out all of the parts on a non-abrasive surface to identify the number tags in the manual and count before assembly. Please use the screws correctly to avoid popping the desk panel.
3. For a smooth assembly process, we suggest you keep a lite tightness for all the screws during assembly. After the whole desk is assembled, firmly tighten all the screws.

<b>A</b>  x2	<b>B</b>  x2	<b>C</b> L  x1	<b>D</b> R  x1	<b>E</b>  x1	<b>F</b>  x1	<b>G</b>  x2
<b>H</b>  x1	<b>I</b>  With 2 holes x1	<b>J</b>  With 4 holes x1	<b>K</b>  x3	<b>L</b>  x3	<b>M</b> L  x3	<b>N</b> R  x3
<b>O</b>  x1	<b>P</b>  x1	<b>Q</b>  x1	<b>R</b>  x2	<b>S</b>  x3	<b>T</b>  x2	<b>U</b>  x1
①  M6x40 x22	②  Desktop Lock Specialized M6x28 x10	③  M6x12 x7	④  M4x10 x3	⑤  x3	⑥  M3.5x15 x2	⑦  Ø25xM6x15 x4
⑧  x1	⑨  M3.5x30 x4	⑩  M6x35 x4	⑪  S4 x1			

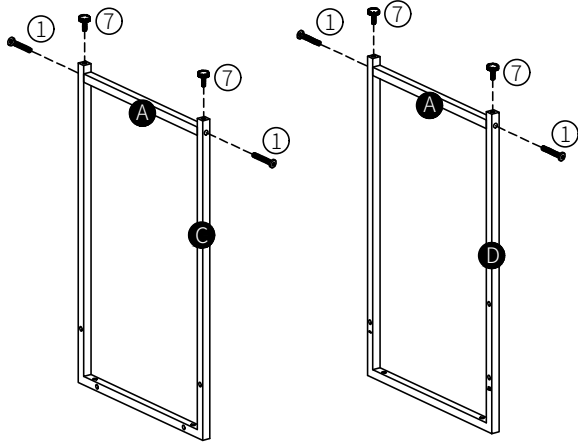
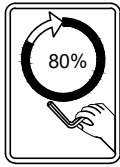
Thank you for choosing our product.

Feel free to contact us in case of any problem regarding assembling or the product itself. Our Customer Service organization can answer most concerns and can assist you with any questions you may have about your product.

Your satisfaction is our highest pursuit.

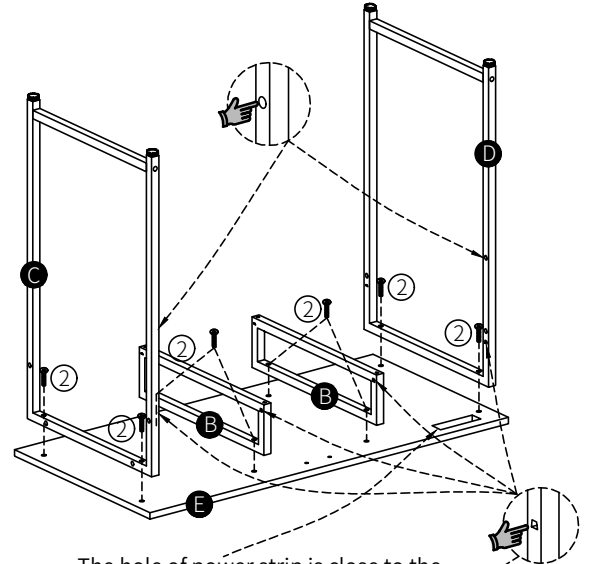
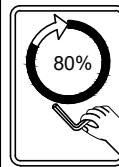
# Assembly Instruction

1



⑦ x 4  
① x 4

2

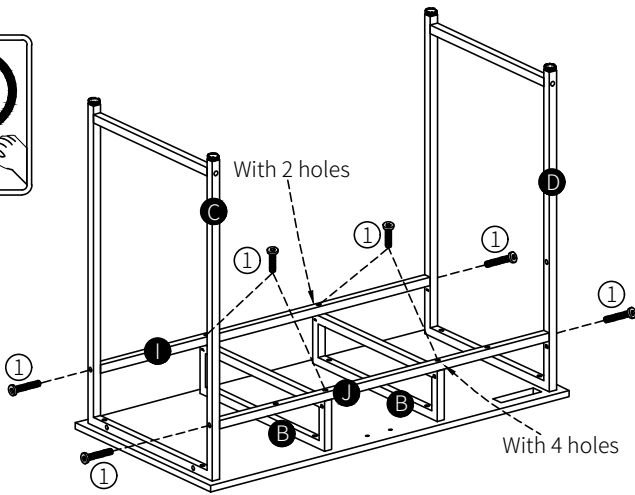
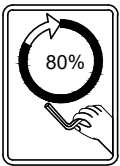


The hole of power strip is close to the square hole of part D.

Square holes of part C/B/D on the same side.

② x 8

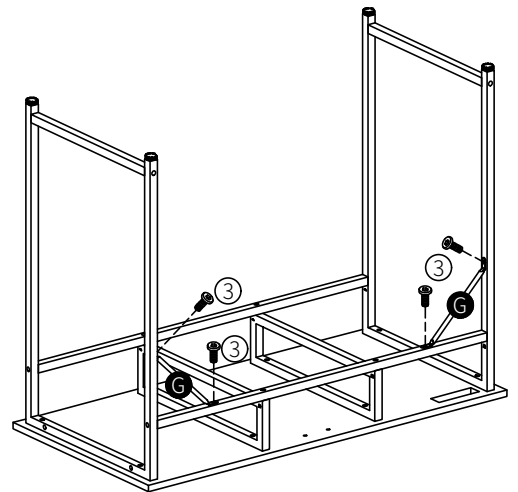
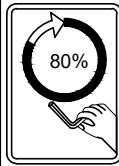
3



Note: assemble ①&① to parts ② first, then to ③&④

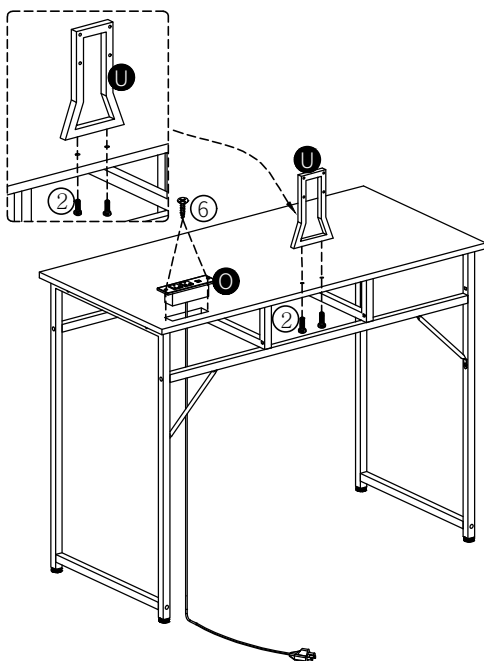
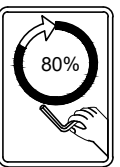
① x 8

4



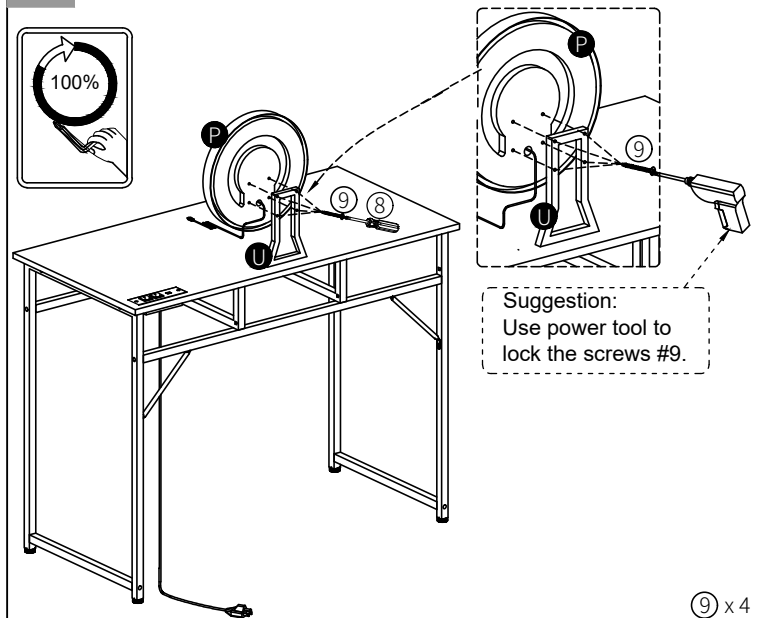
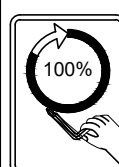
③ x 4

5



② x 2  
⑥ x 2

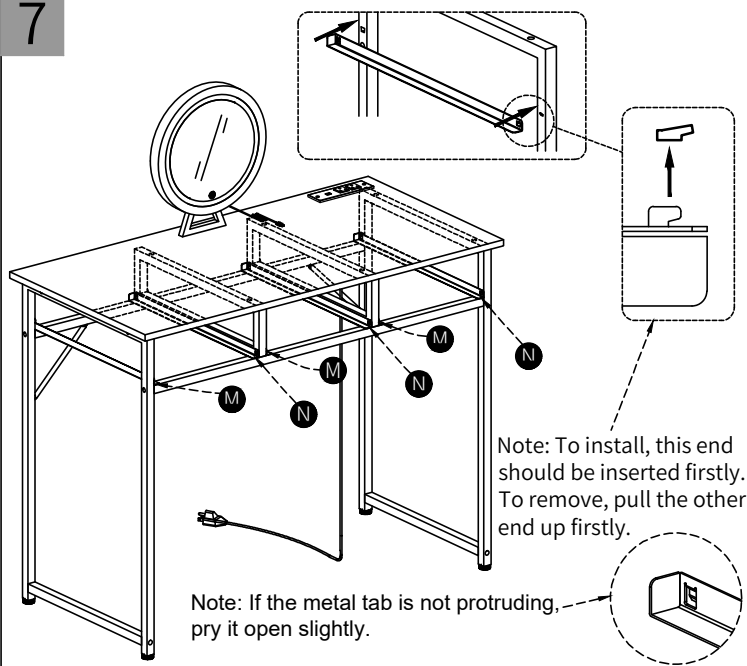
6



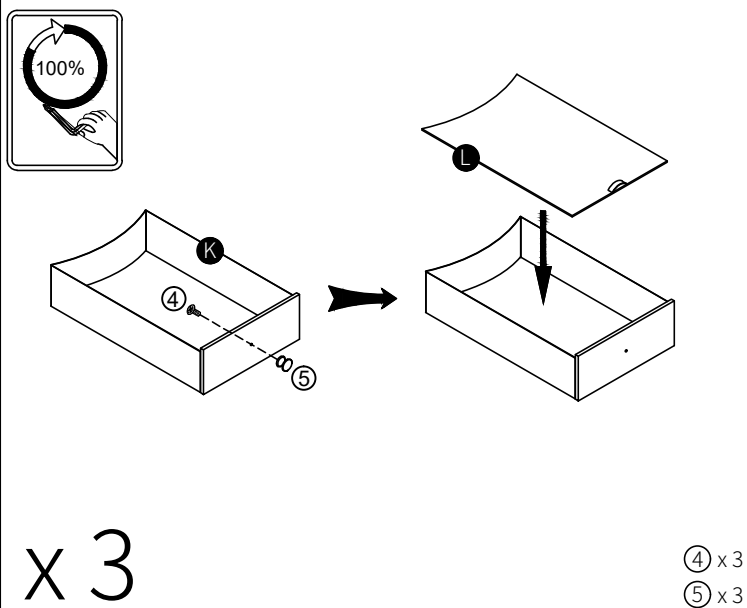
⑨ x 4

# Assembly Instruction

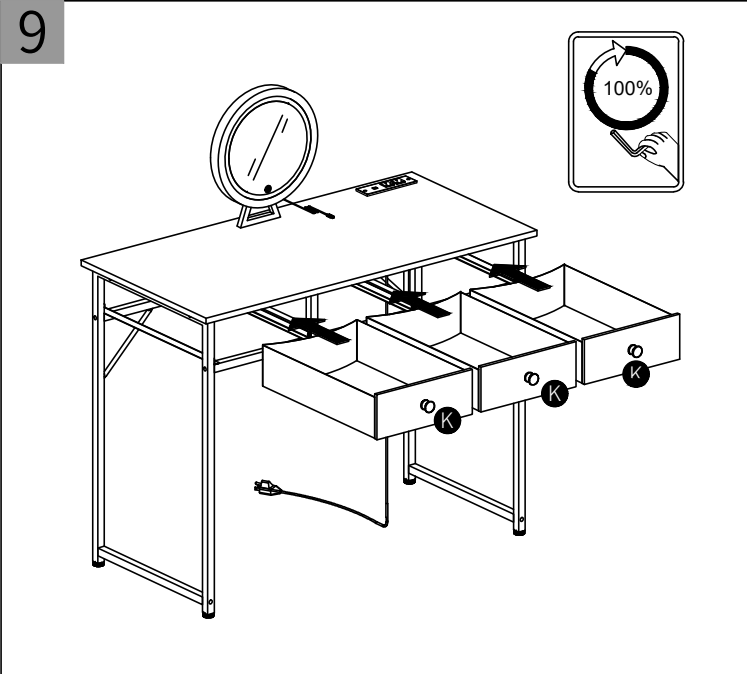
7



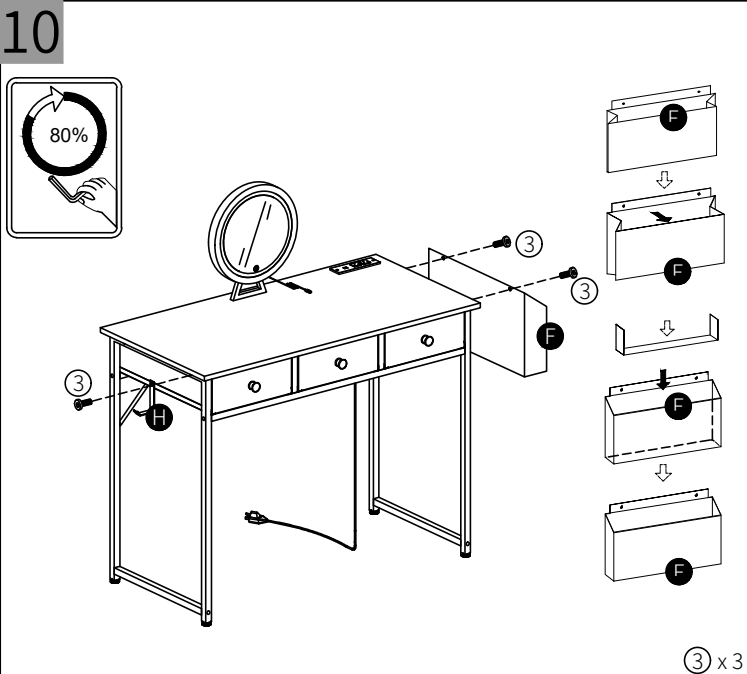
8



9

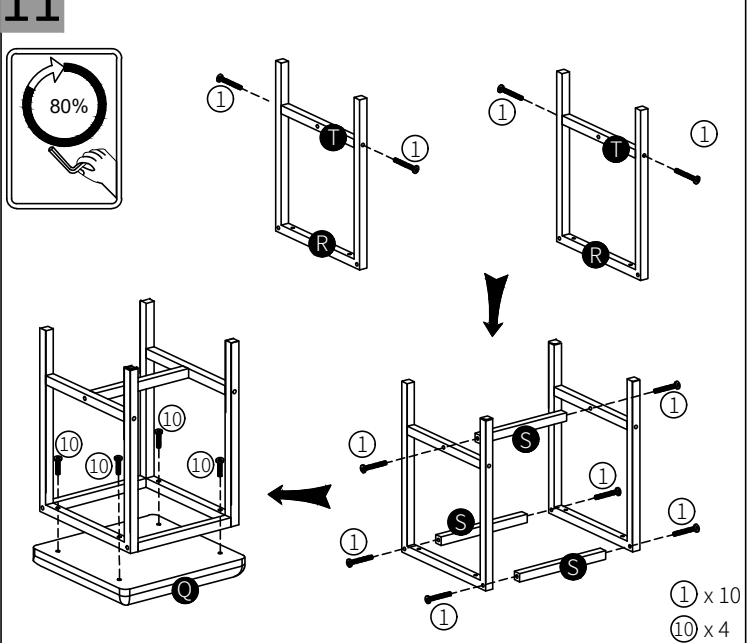


10



11

Installation instructions of the chair



12

Tighten all the screws from STEP 1 TO STEP 12.

