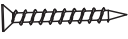
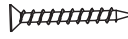



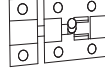
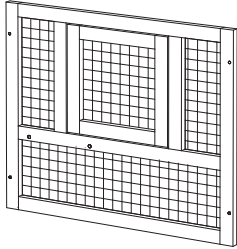
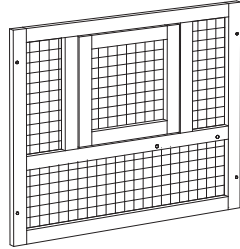


ASSEMBLY INSTRUCTIONS

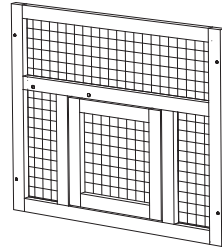
 A M3.5*60 16PCS	 B M3.5*40 33PCS	 D M3.0*23 14PCS	 E M3.0*16 54PCS
 F M6.0*60 12PCS	 9PCS		



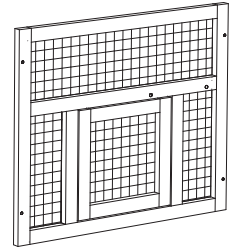
1



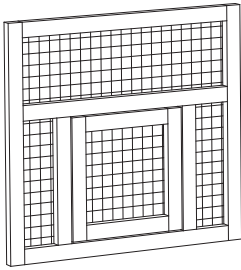
2



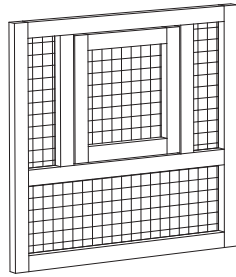
3



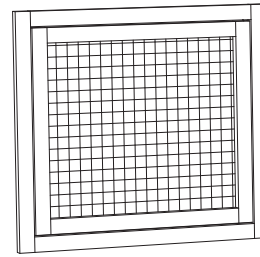
4



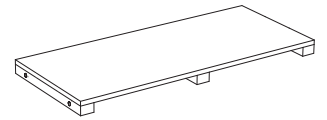
5 x2



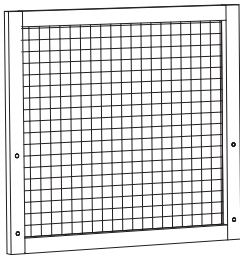
6 x2



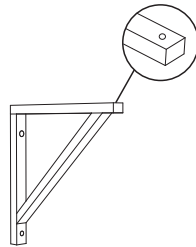
7



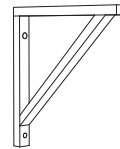
8 x2



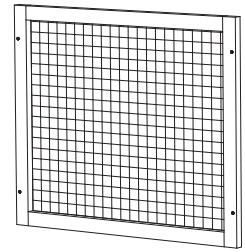
9



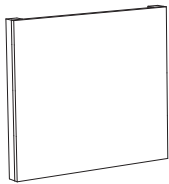
10



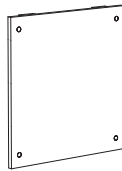
11



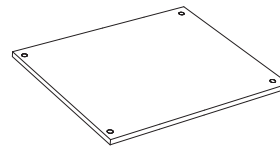
12 x2



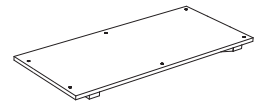
13 x2



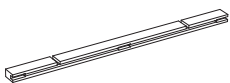
14



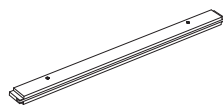
15



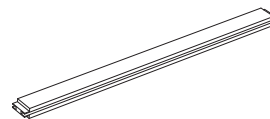
16



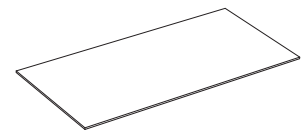
17



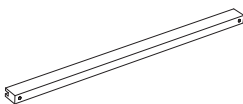
18 x2



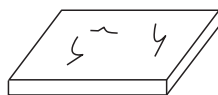
19



20 x2



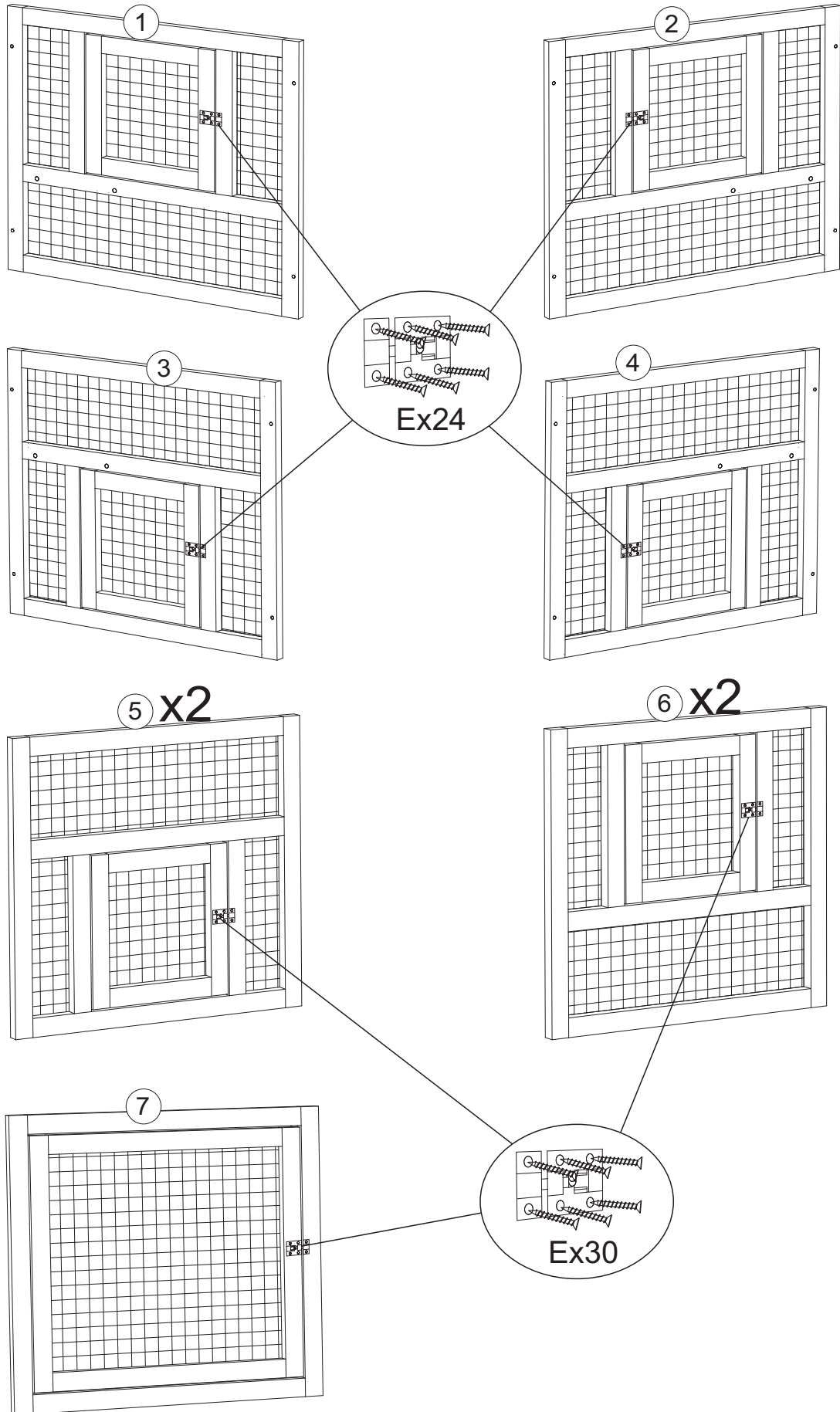
21



22

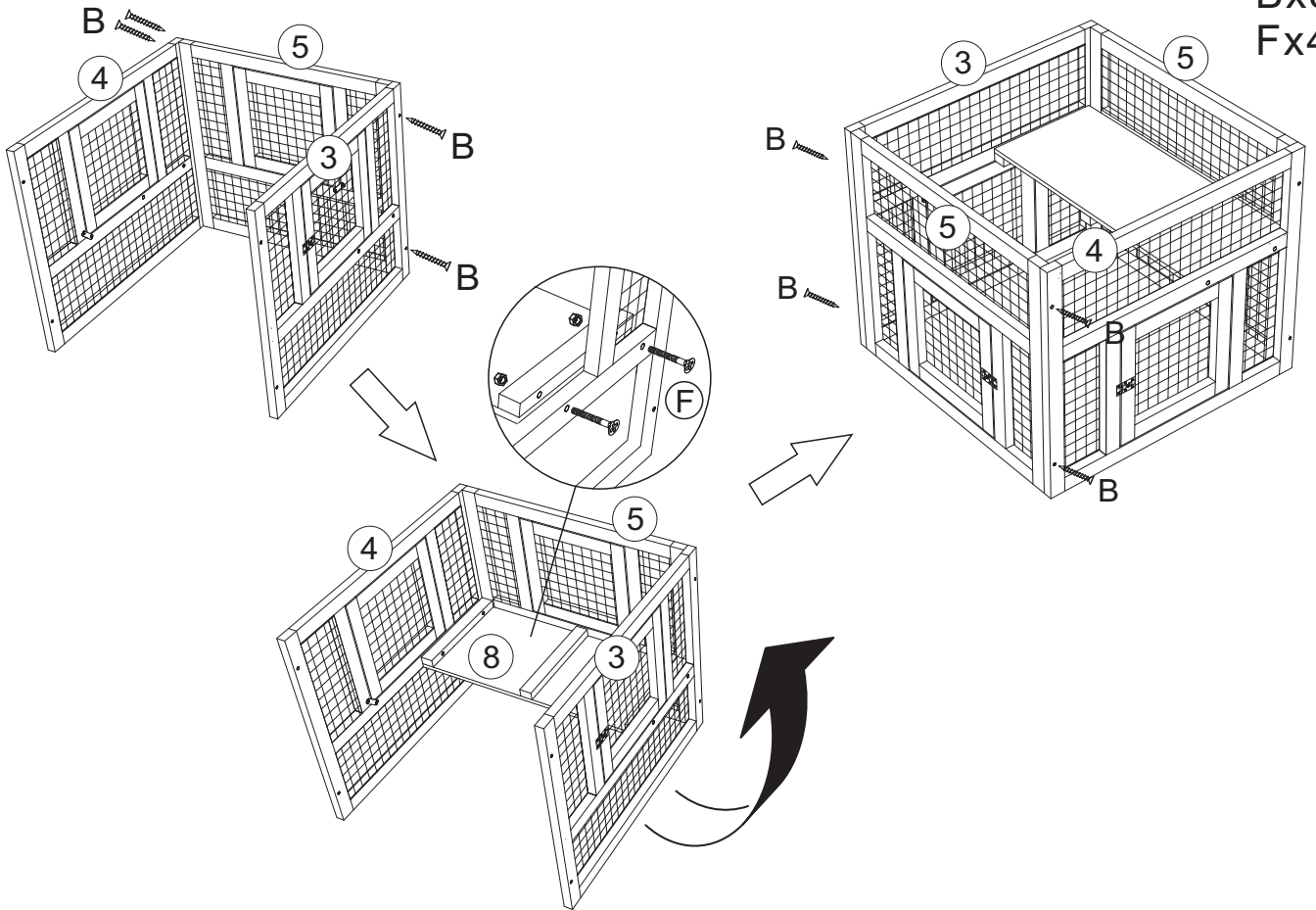
STEP 1

Ex54



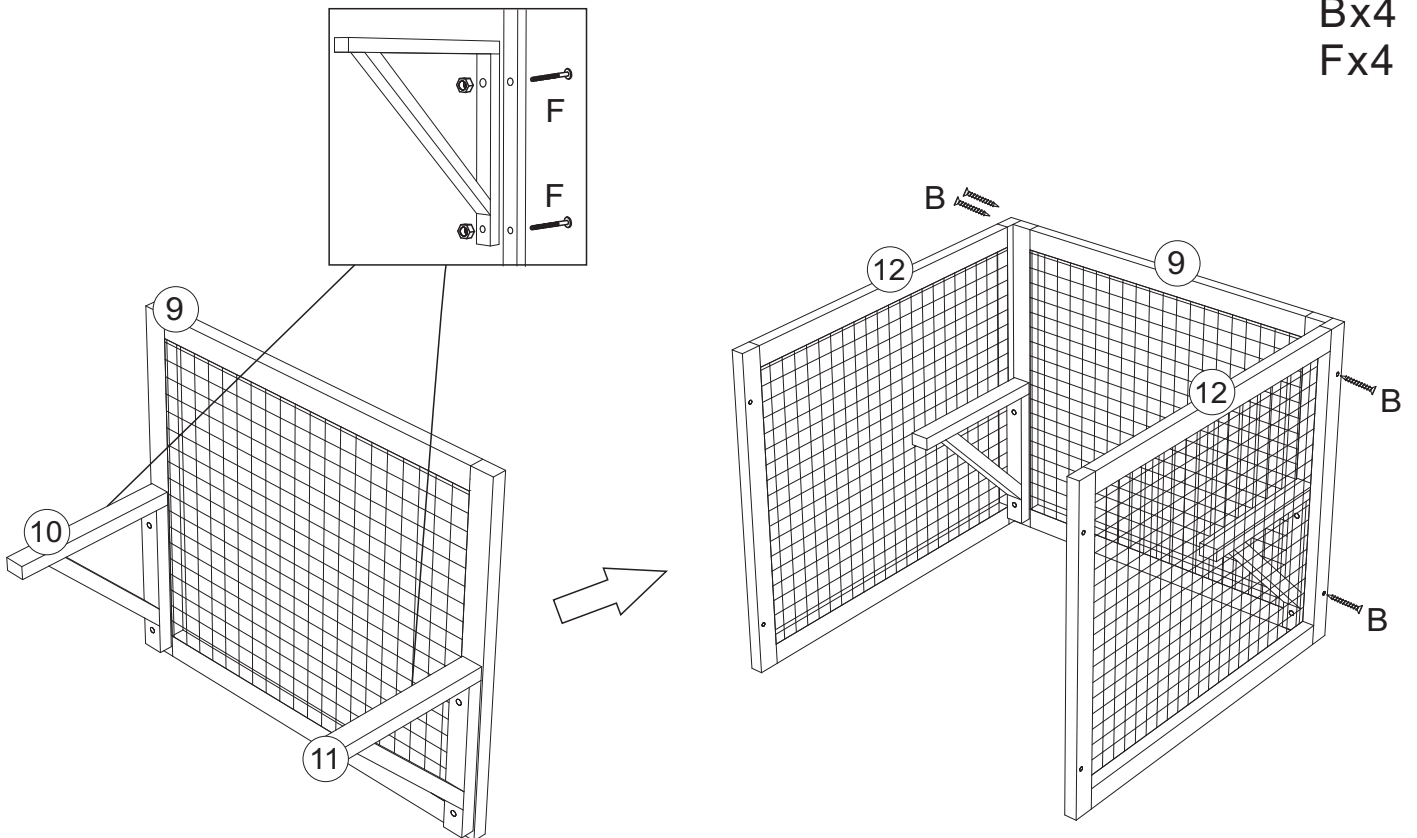
STEP 2

Bx8
Fx4



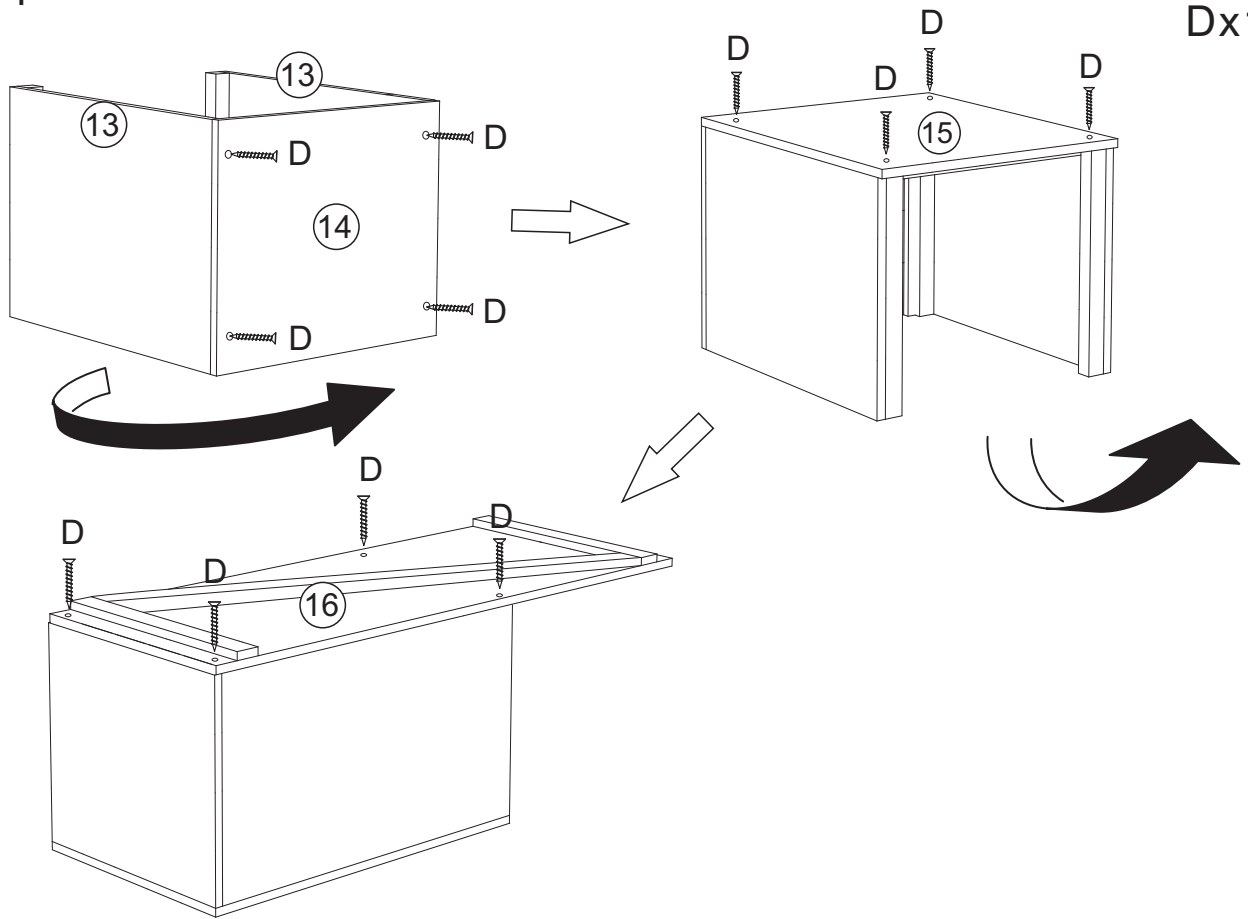
STEP 3

Bx4
Fx4



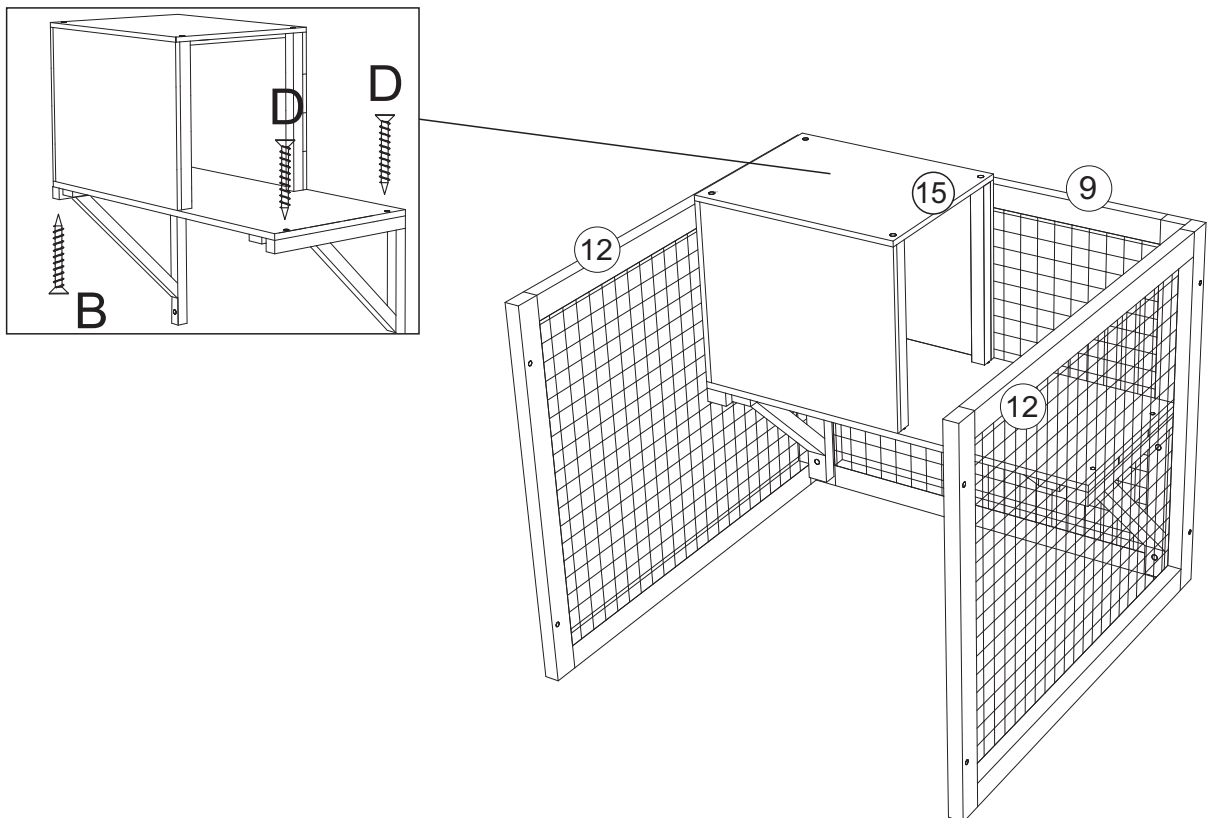
STEP 4

Dx12



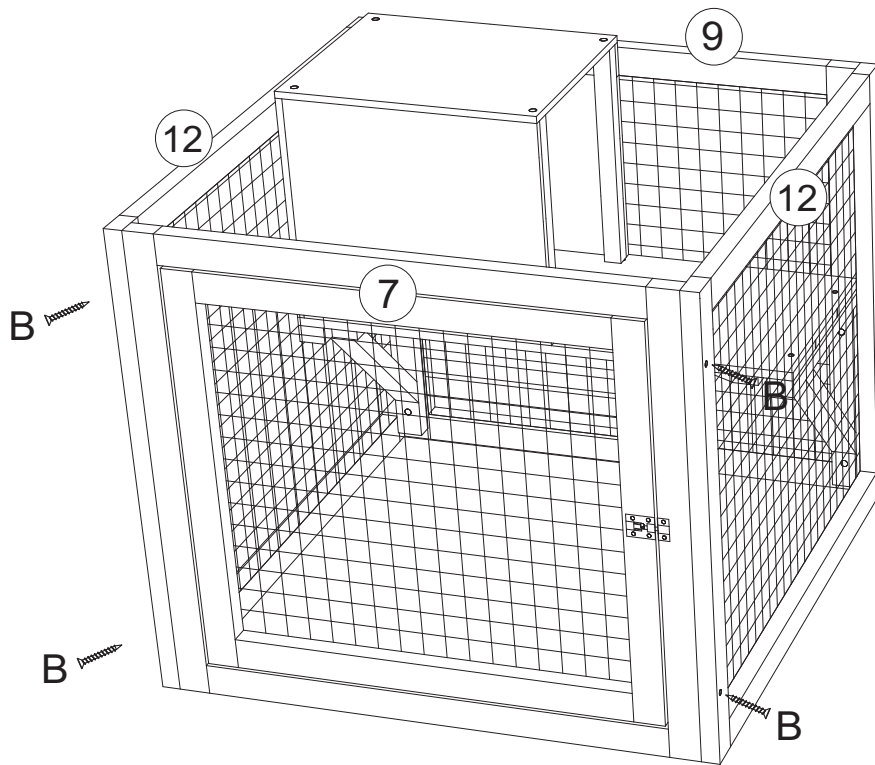
STEP 5

Bx1
Dx2



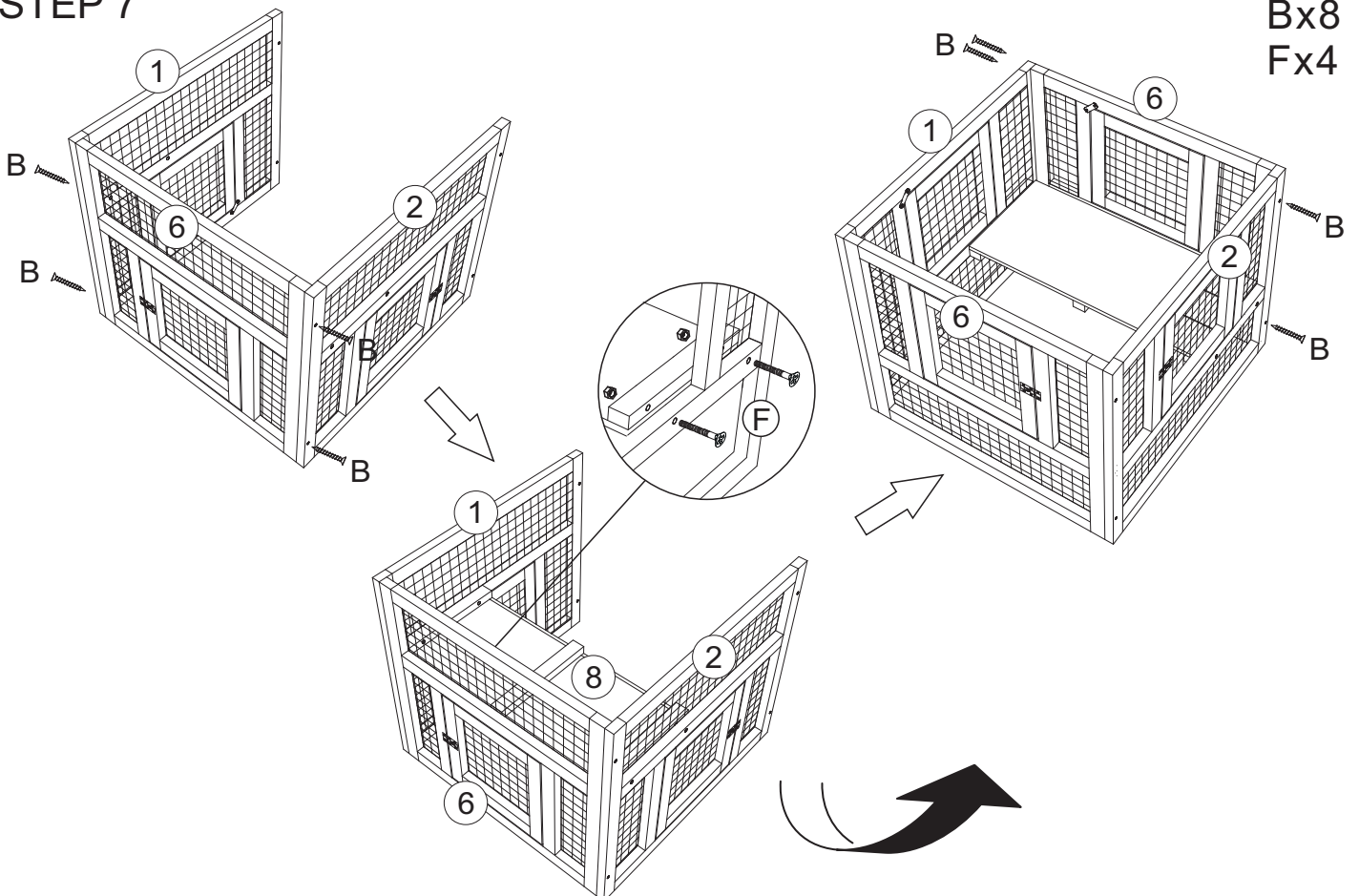
STEP 6

Bx4



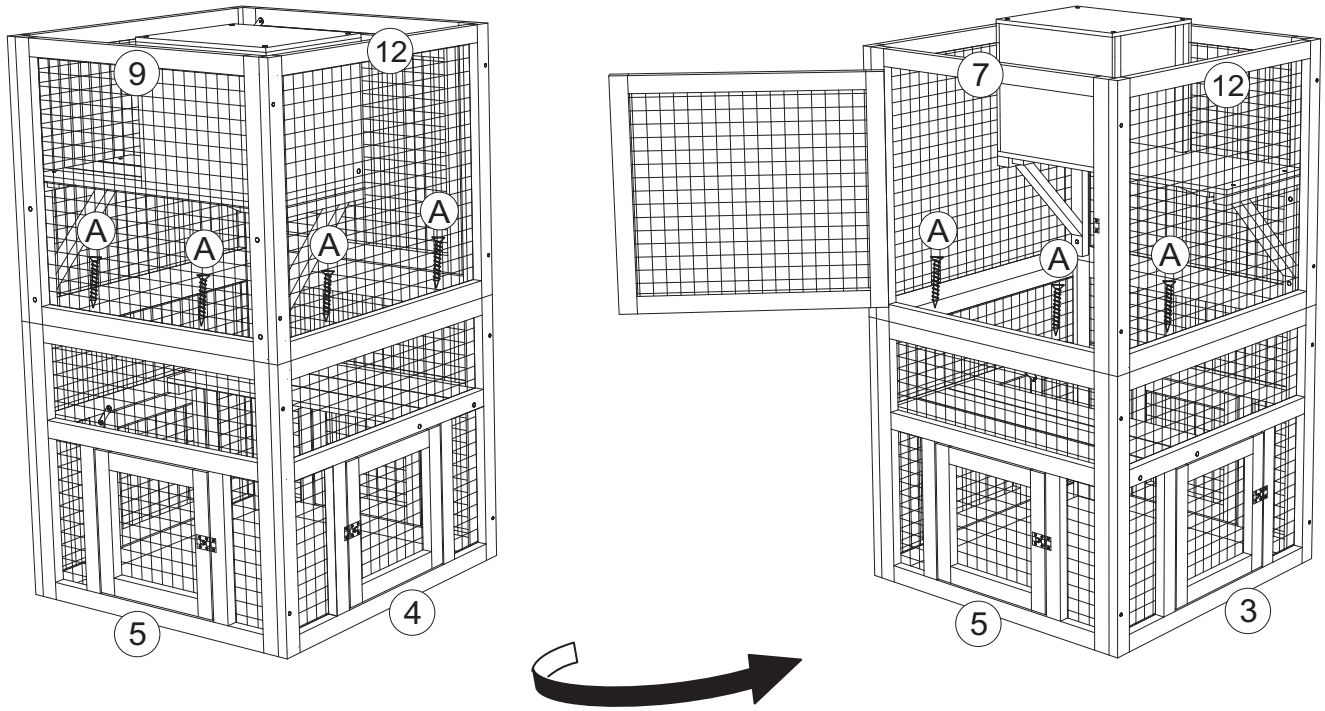
STEP 7

Bx8
Fx4



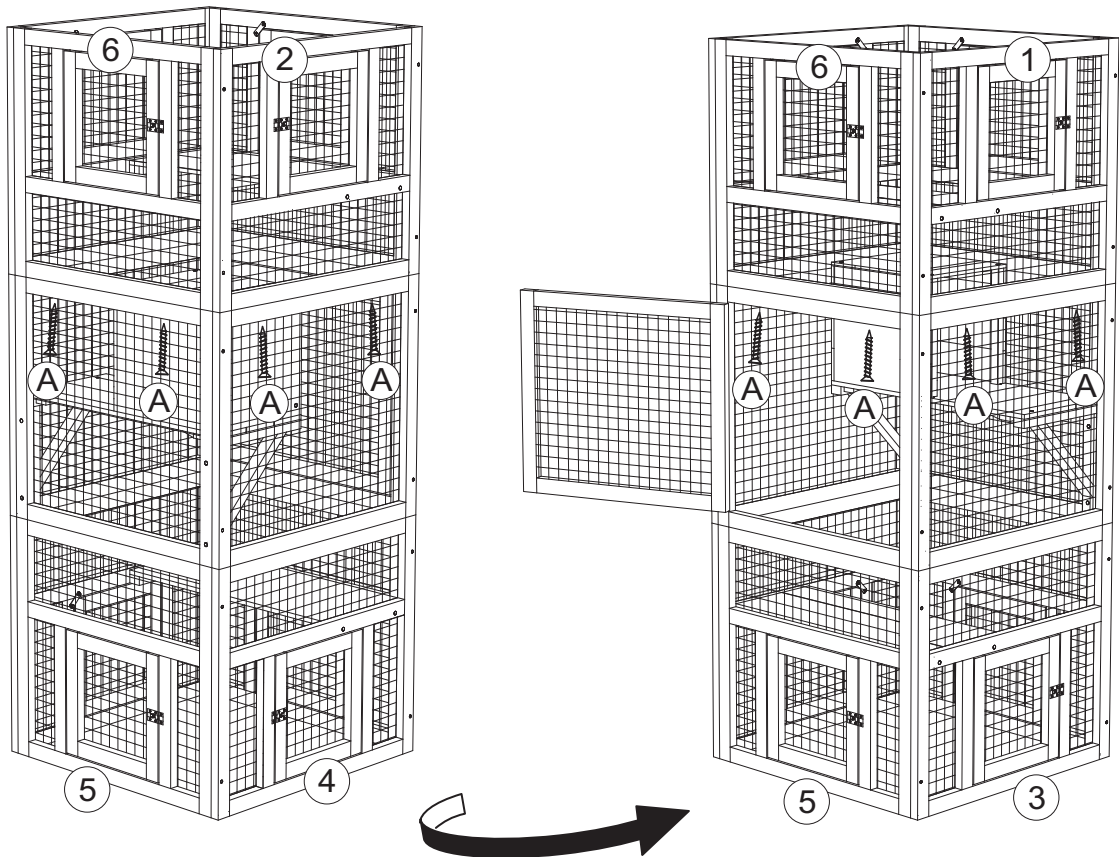
STEP 8

Ax8



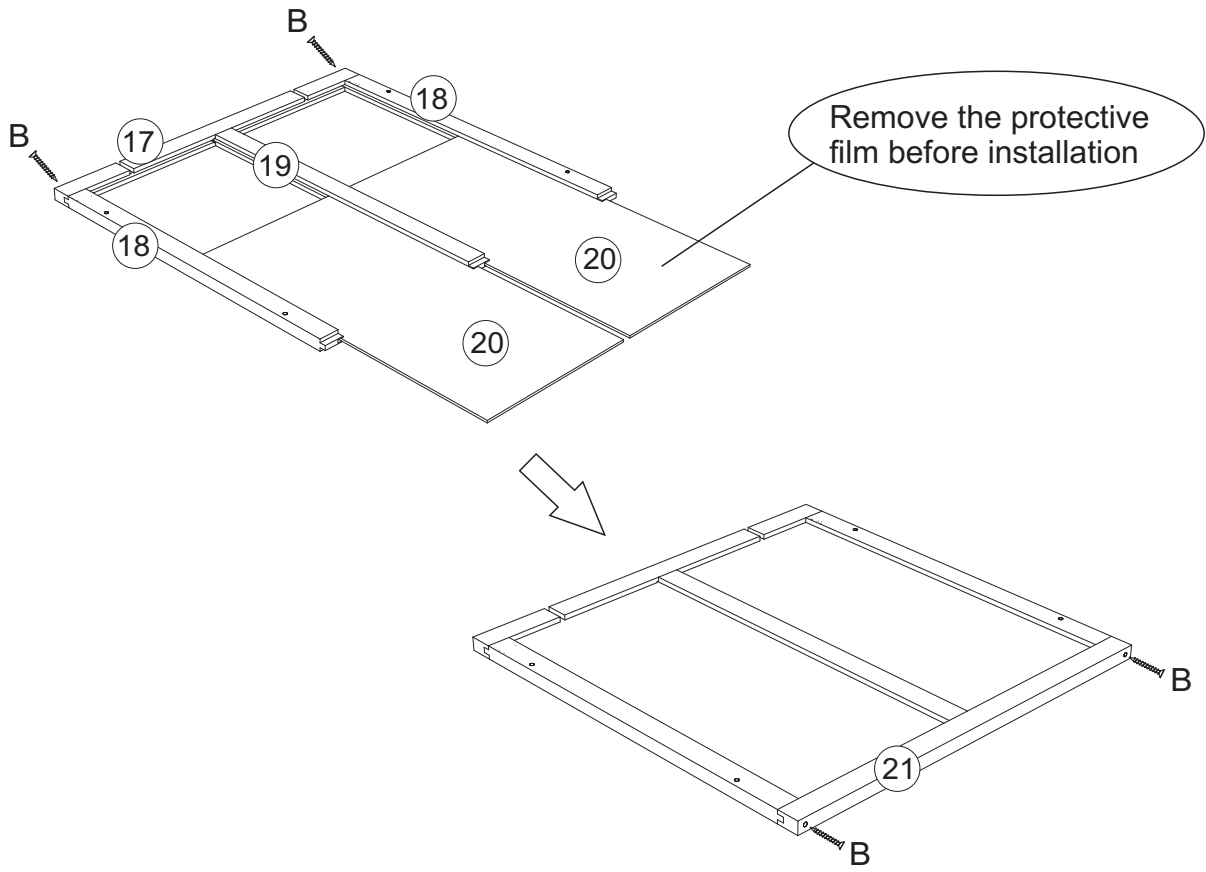
STEP 9

Ax8



STEP 10

Bx4



STEP 11

Bx4

