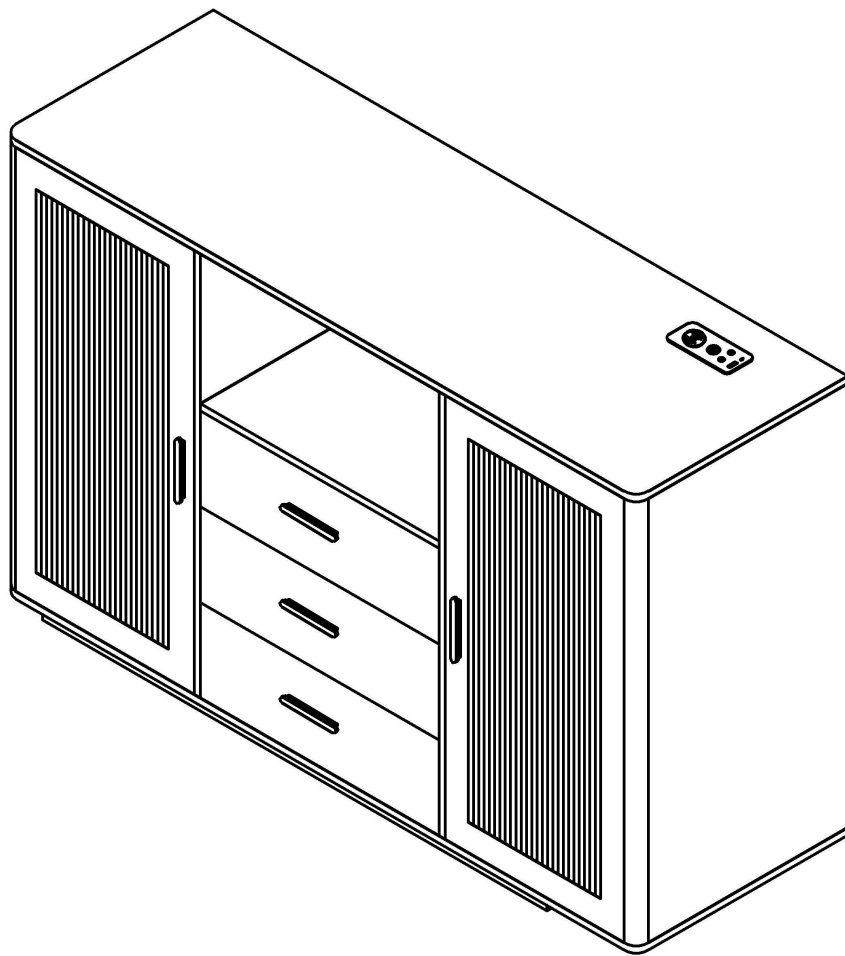
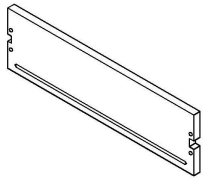
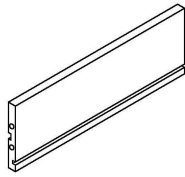


# Product Installation Instructions

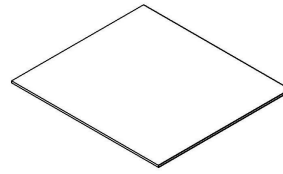




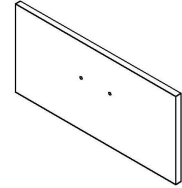
**Ax3**



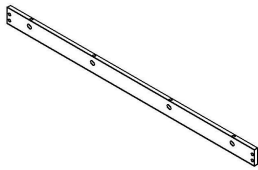
**Bx6**



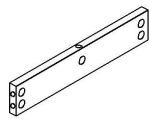
**Cx3**



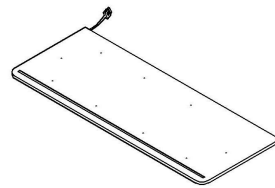
**Dx3**



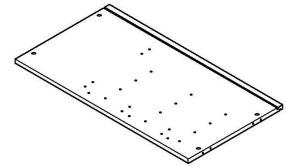
**Ex2**



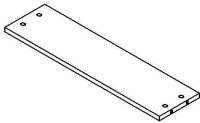
**Fx2**



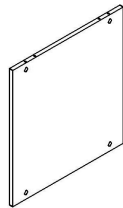
**Gx1**



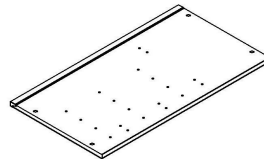
**Hx1**



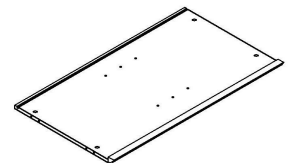
**Ix2**



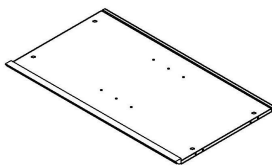
**Jx1**



**Kx1**



**Lx1**



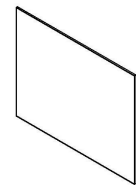
**Mx1**



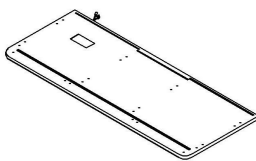
**Nx1**



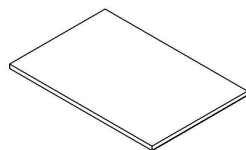
**Ox1**



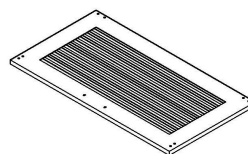
**Px2**



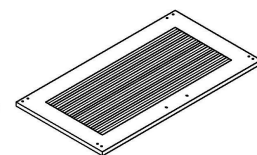
**Qx1**



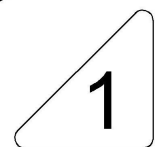
**Rx2**



**Sx1**

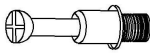


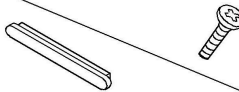

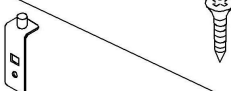
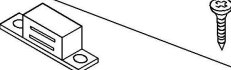


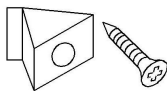
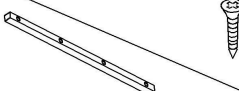

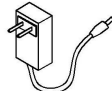


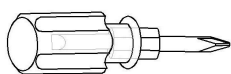
**Tx1**



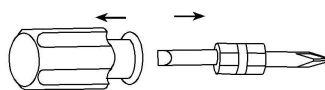
**1**

## Accessories list

①		Two in one screw (6x28mm)	70pcs +4pcs
②		Two in one nut (10x12mm)	70pcs +4pcs
③		Wood chipping (6x30mm)	20pcs +4pcs
④		Handle & screw (4x16mm)	10pcs +2pcs 5pcs
⑤		Iron bar	6pcs
⑥		Cabinet door hinge & Screw (3x10mm)	8pcs +1pcs 4pcs
⑦		Magnetic attraction & screw (3.5x12mm)	8pcs +1pcs 4pcs
⑧		Iron sheet & screw (3x10mm)	8pcs +1pcs 4pcs
⑨		Non-slip pads	6pcs +2pcs
⑩		Fixing clip & screw (3x16mm)	8pcs +1pcs
⑪		Rubber strip guide & screw(4x16mm)	24pcs +4pcs 6pcs
⑫		Laminate Support Nail	8pcs +2pcs
		AC/DC Adapter (12V= 3. 0A)	1pcs



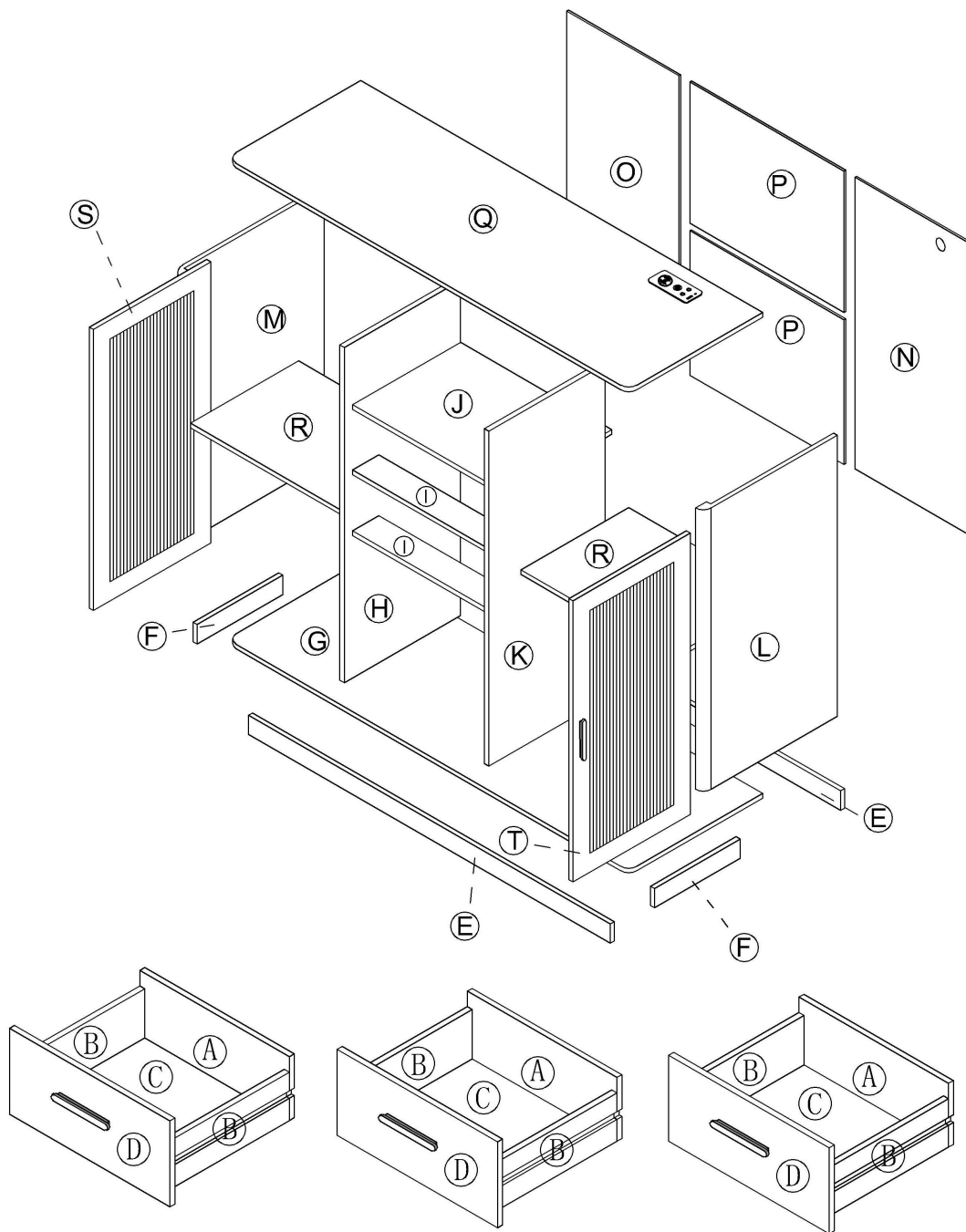
1pcs

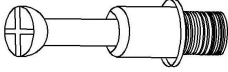
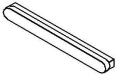




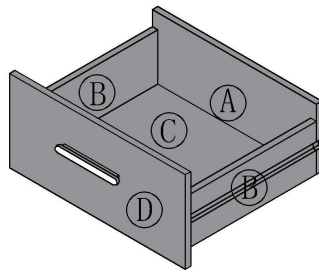
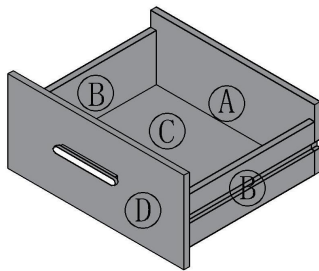
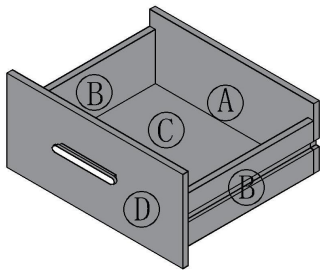
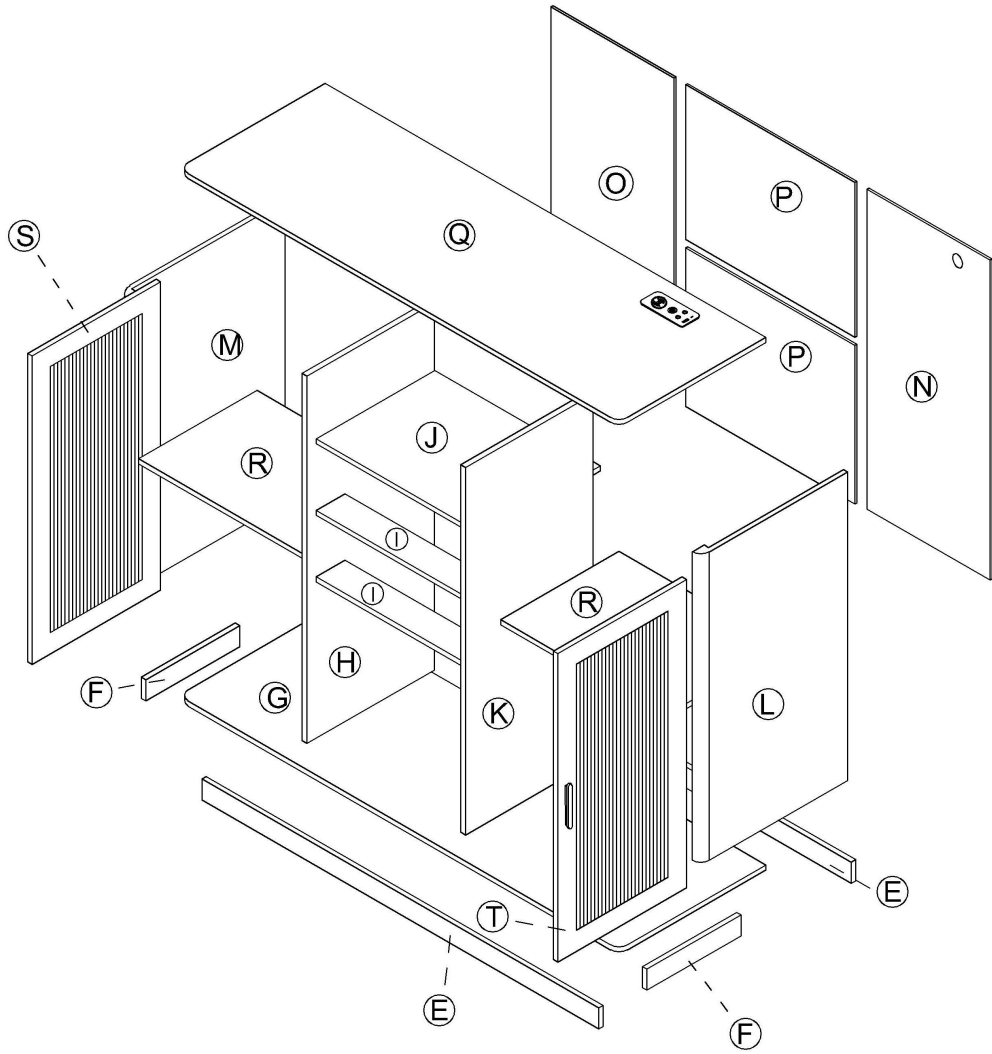
Double-head screwdriver, use as required

2

# Product structure decomposition



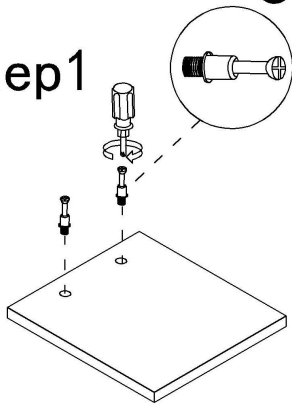
<p>1</p>		<p>24pcs</p>	<p>4</p>	 <p>3pcs</p>	 <p>6pcs</p>
<p>2</p>		<p>24pcs</p>			



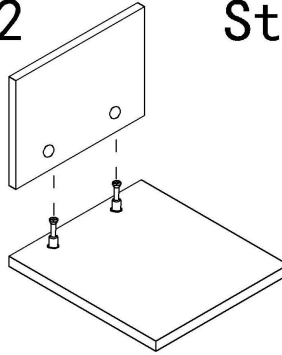
4

Use parts ① and ②

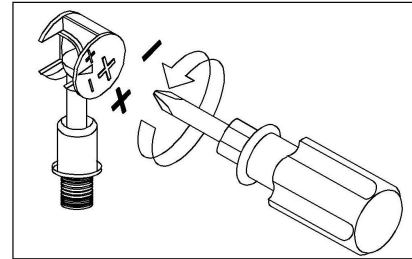
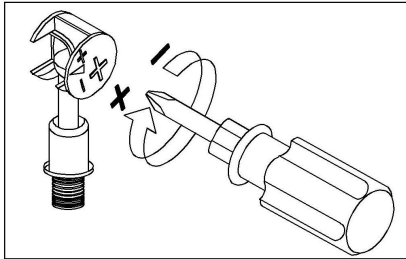
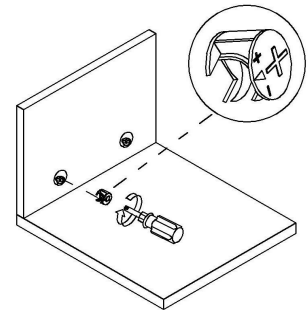
Step1



Step2



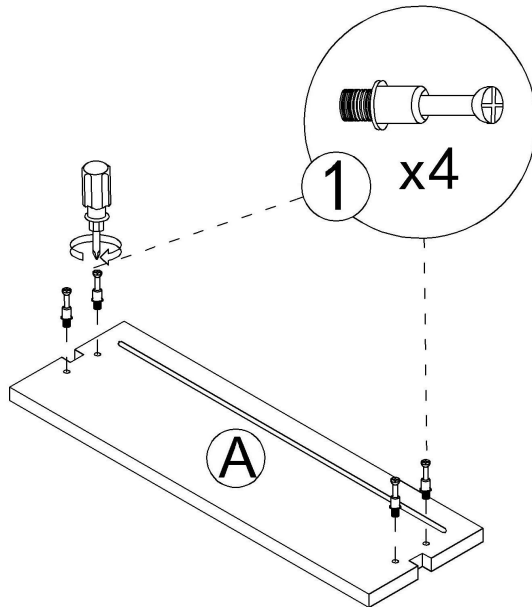
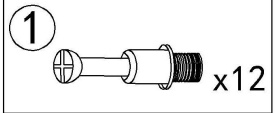
Step3



Use a screwdriver to lock in the direction of the "+" sign

Disassemble along the direction of "-" sign

Step 1

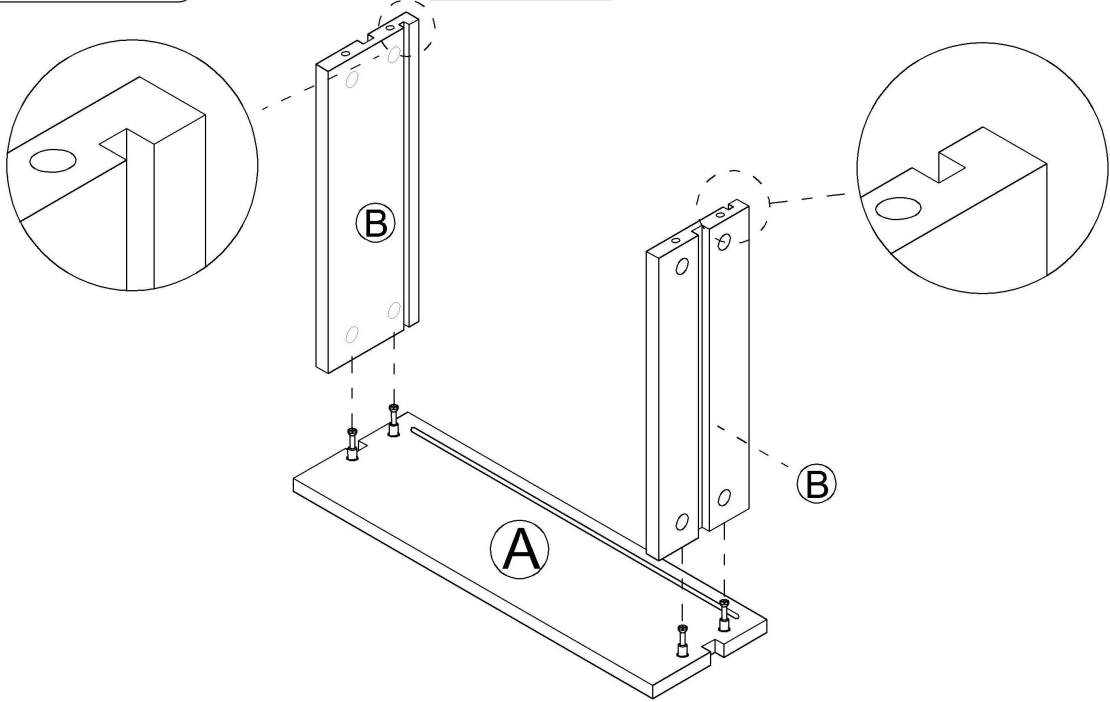


x3

5

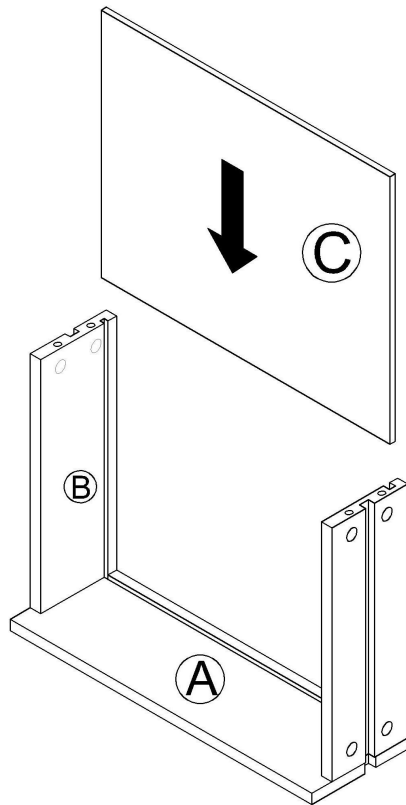
Step 2

x3



Step 3

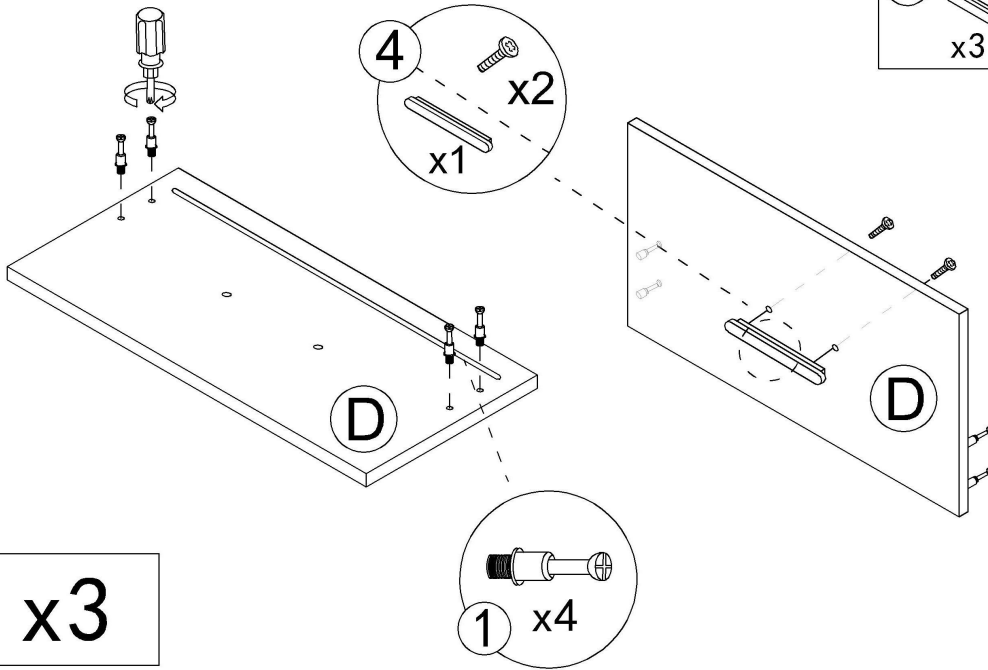
Cx3



x3

6

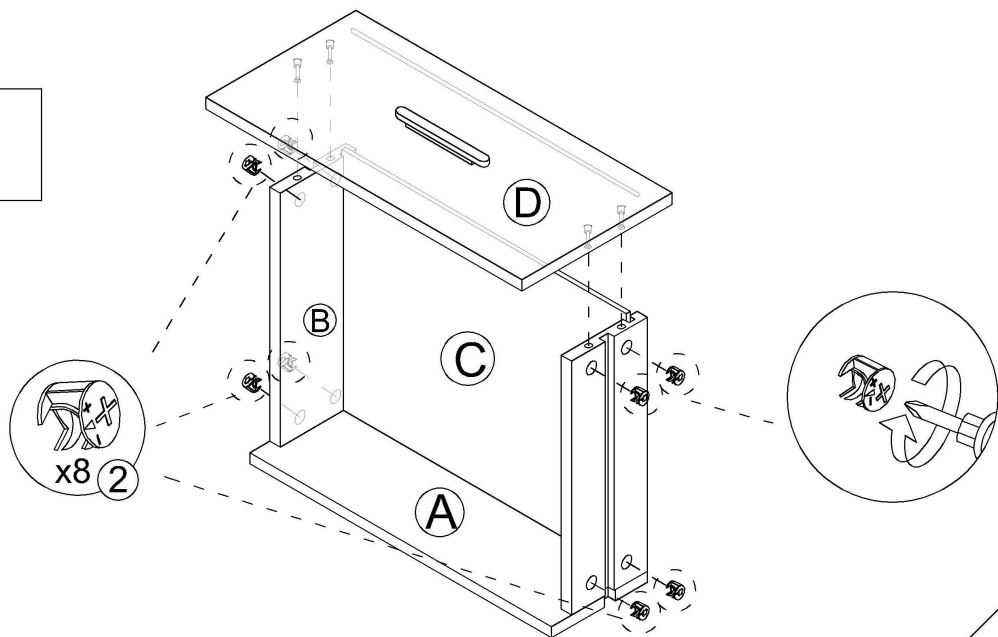
Step 4



x3

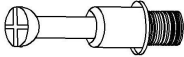
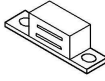




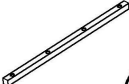

Step 5

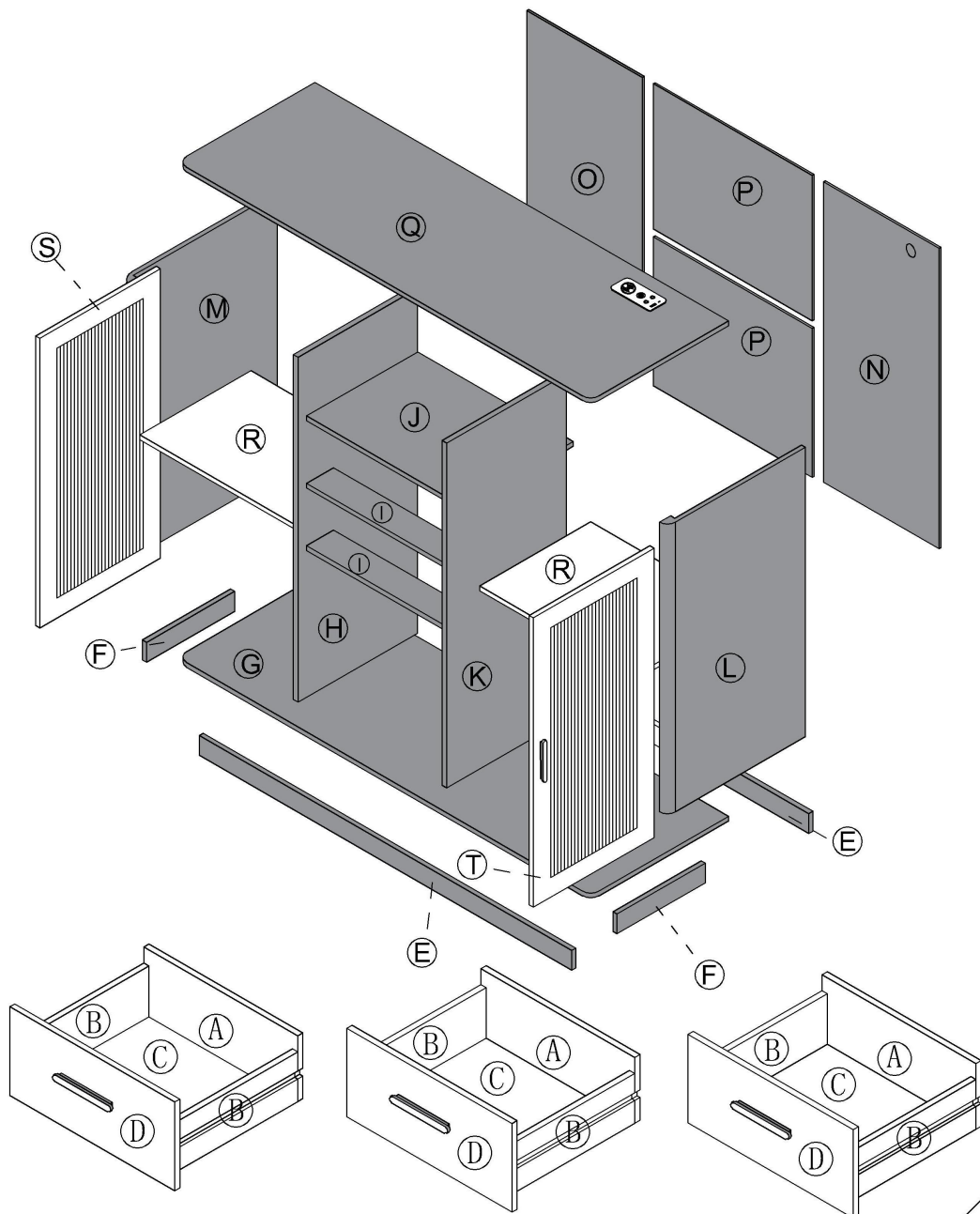
x3



2 x24

7

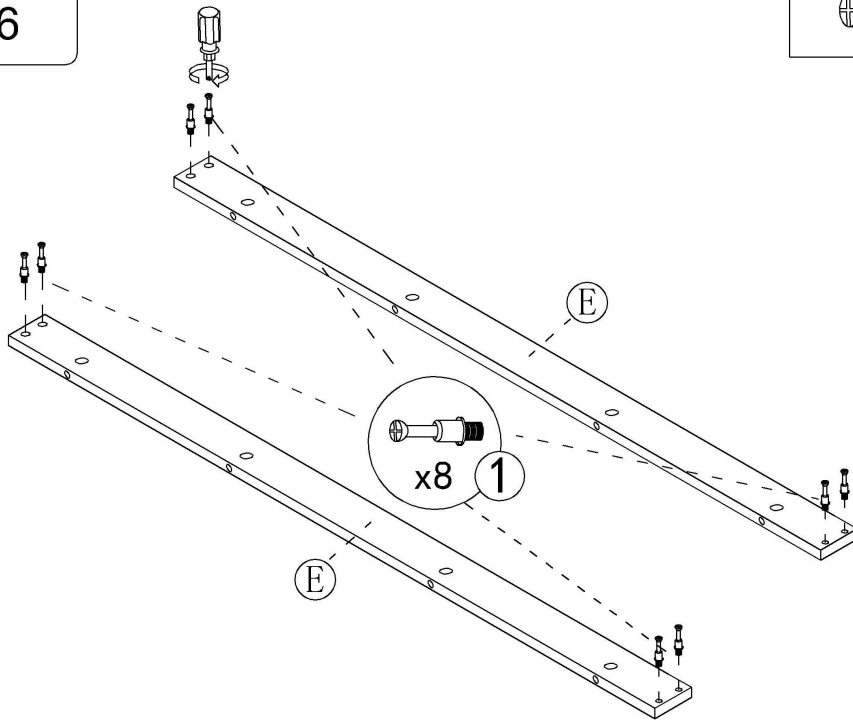
①		46pcs	⑦		4pcs		8pcs
②		46pcs	⑨				6pcs
③		20pcs	⑪		6pcs		24pcs



Step 6

1

x8

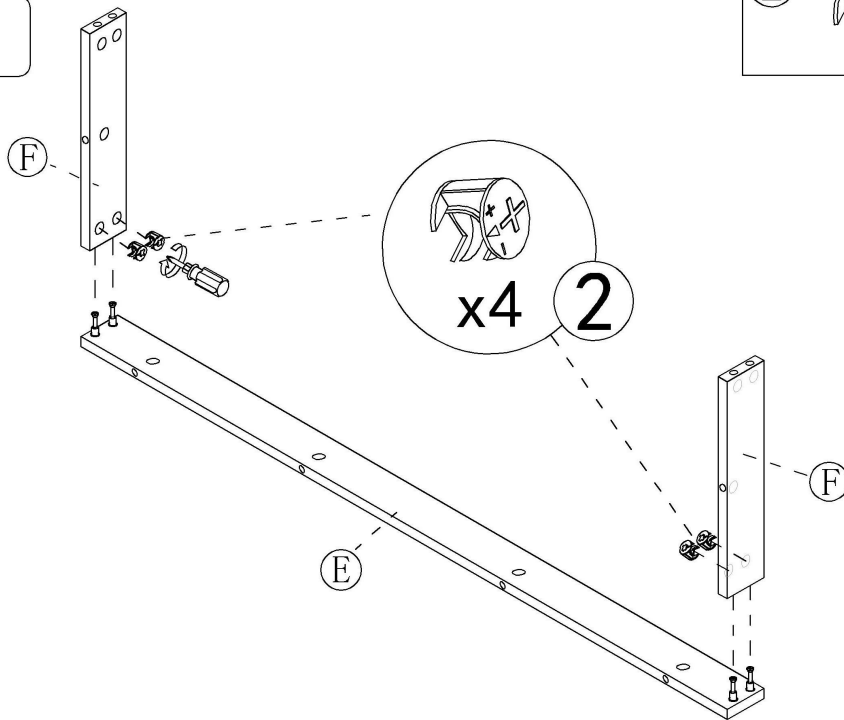


Step 7

2



x4



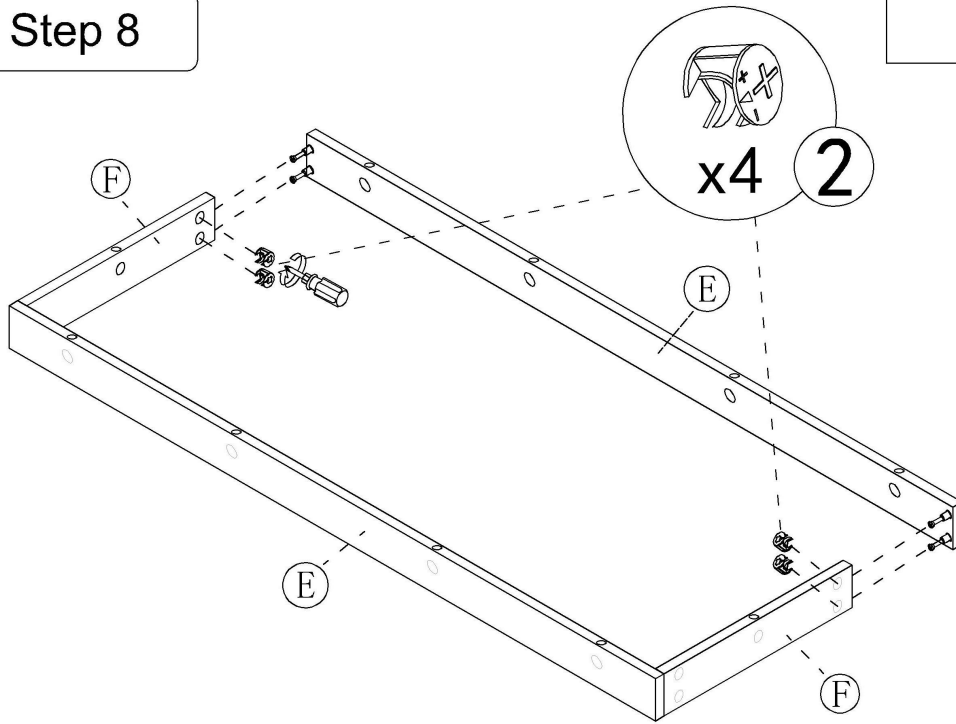
9

Step 8

2

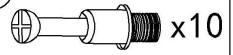


x4

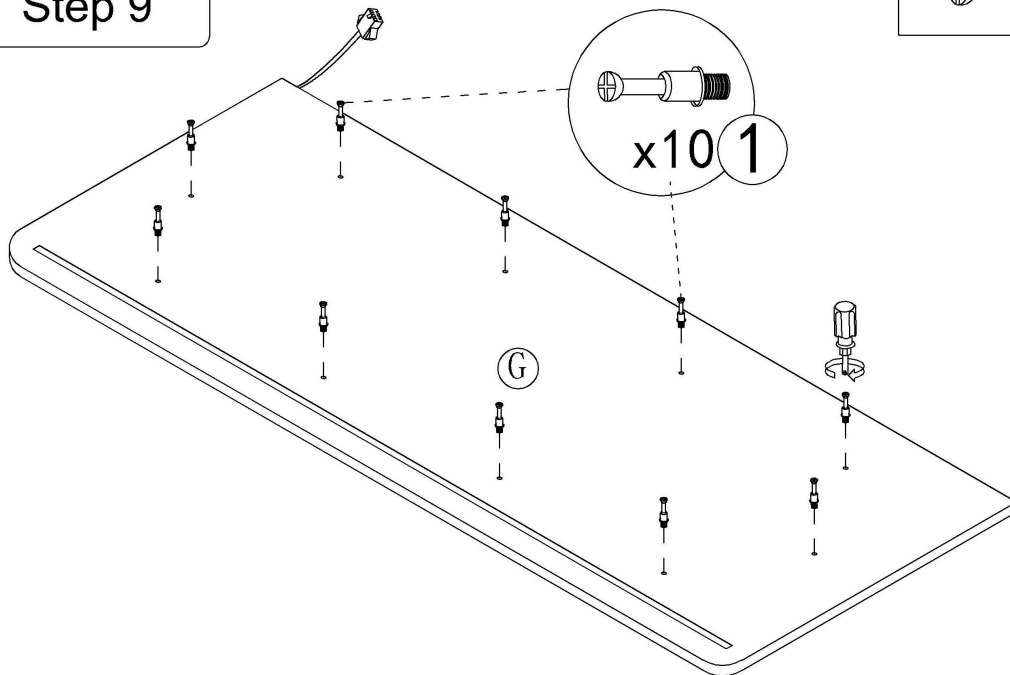


Step 9

1



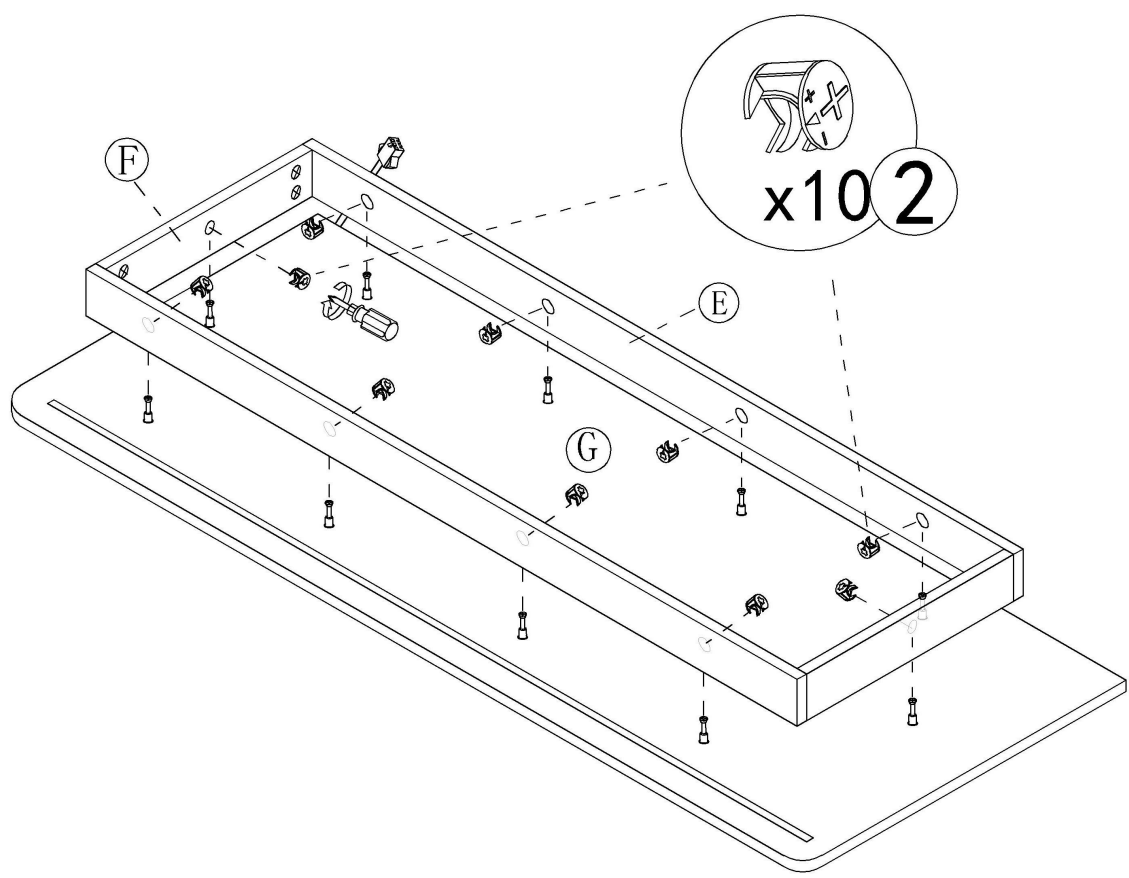
x10



10

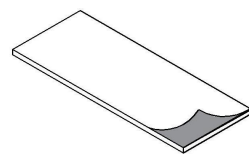
Step 10

2  x10



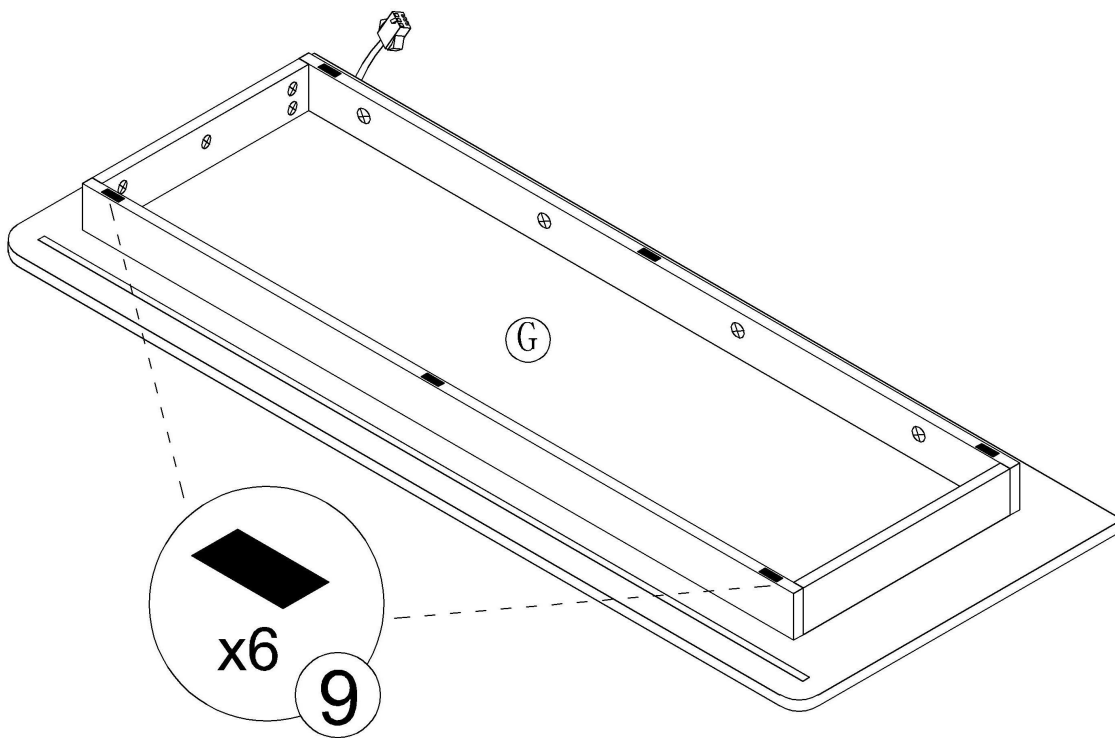
Step 11

9

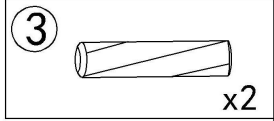
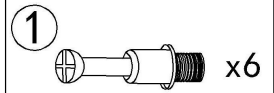
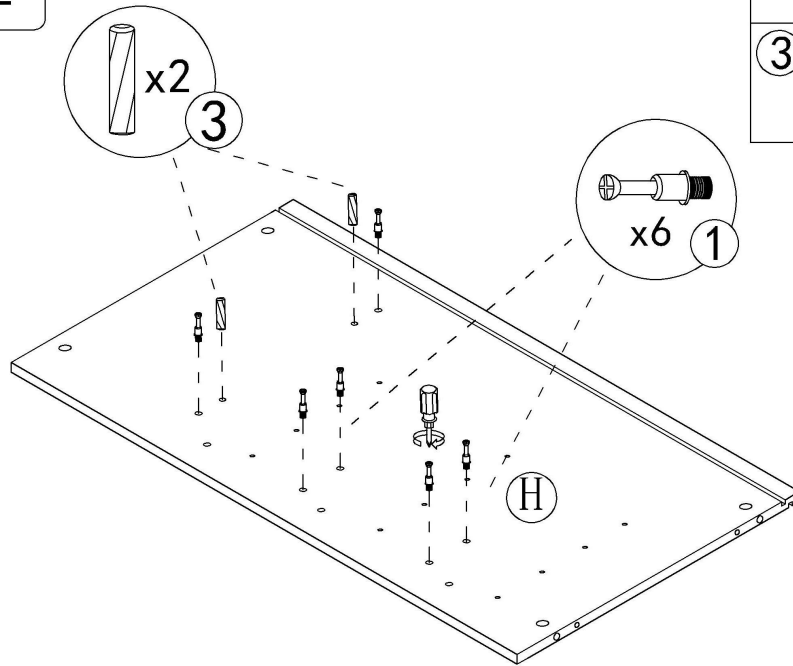


x6

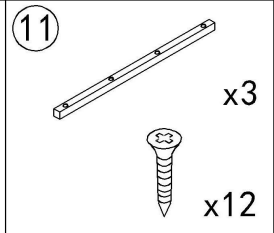
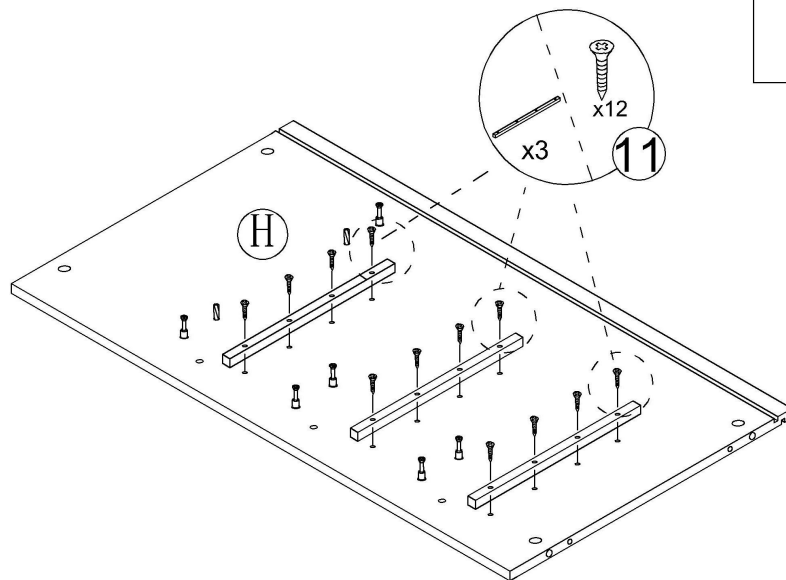
Tear off release paper and stick the black foot pad on the board



Step 12



Step 13

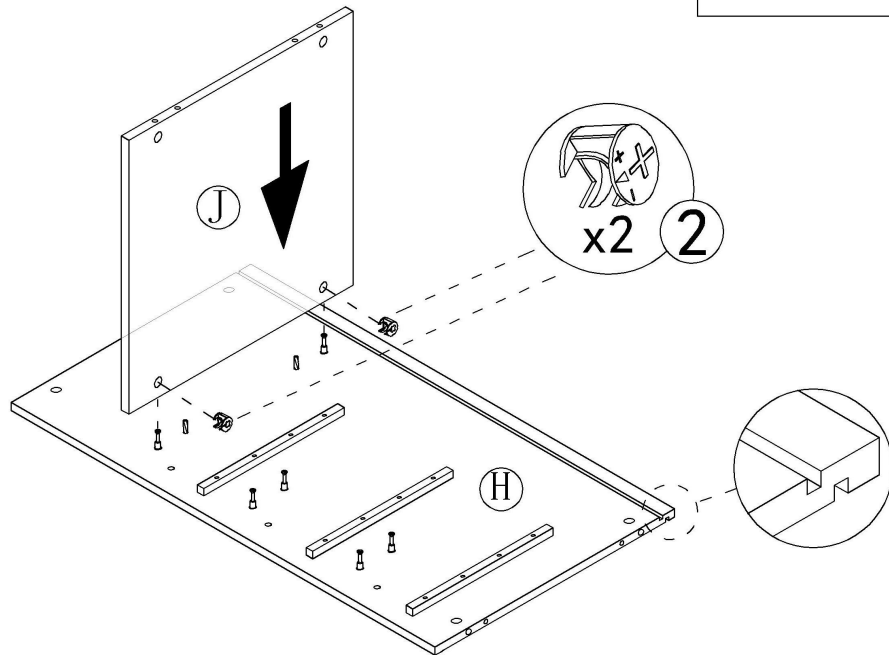


Step 14

2



x2

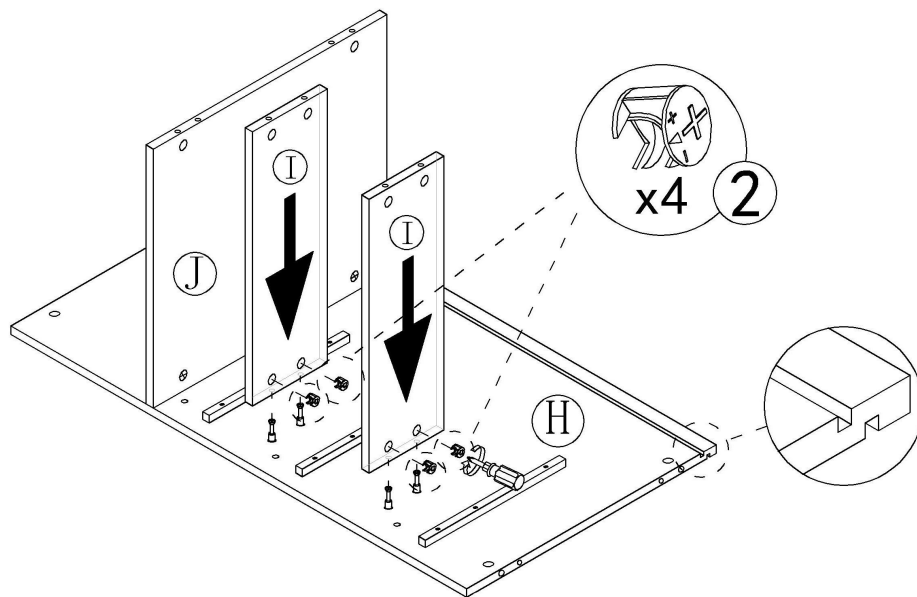


Step 15

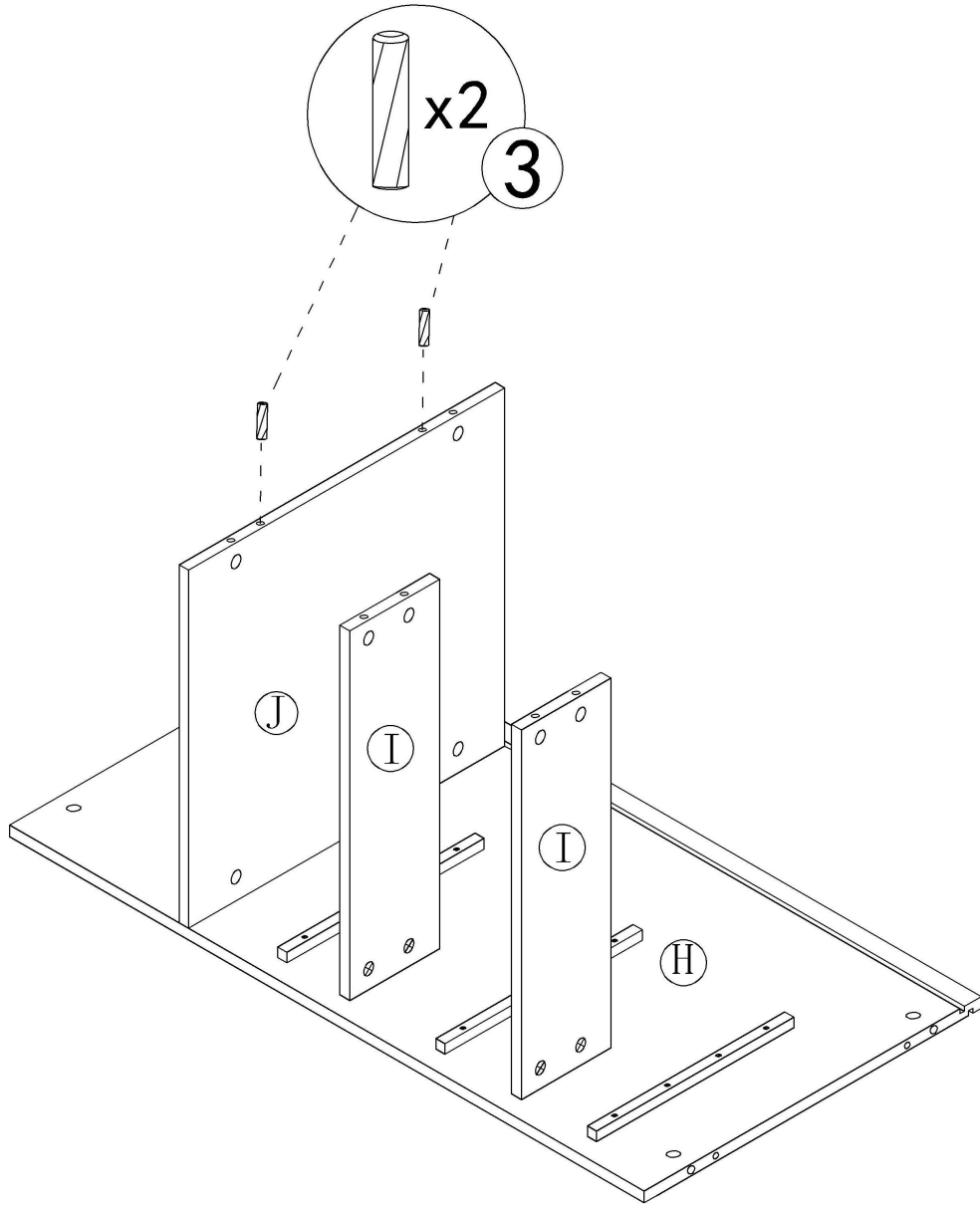
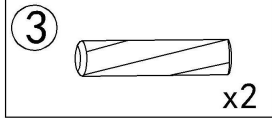
2



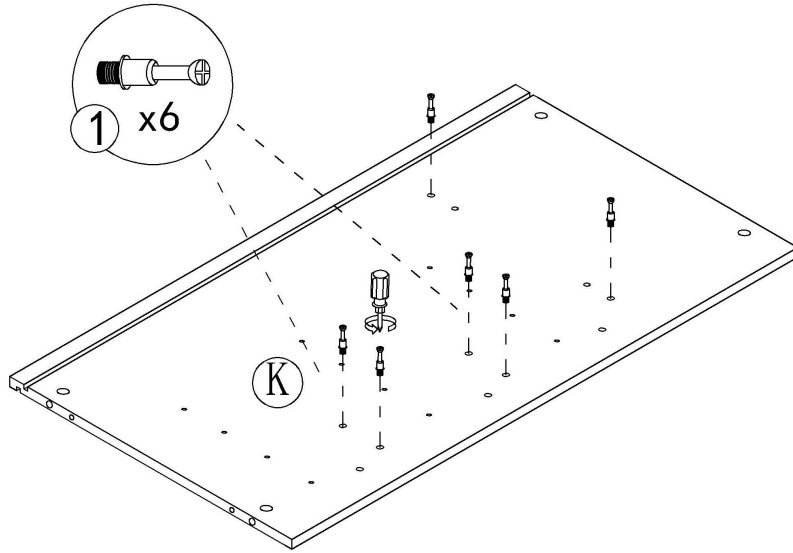
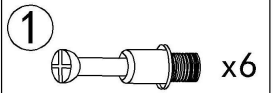
x4



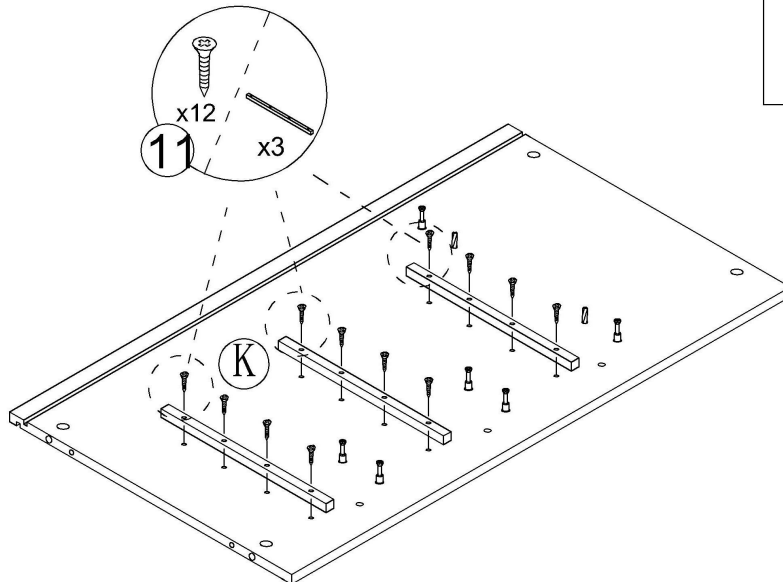
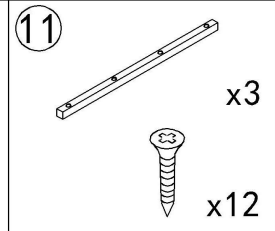
Step 16



Step 17



Step 18



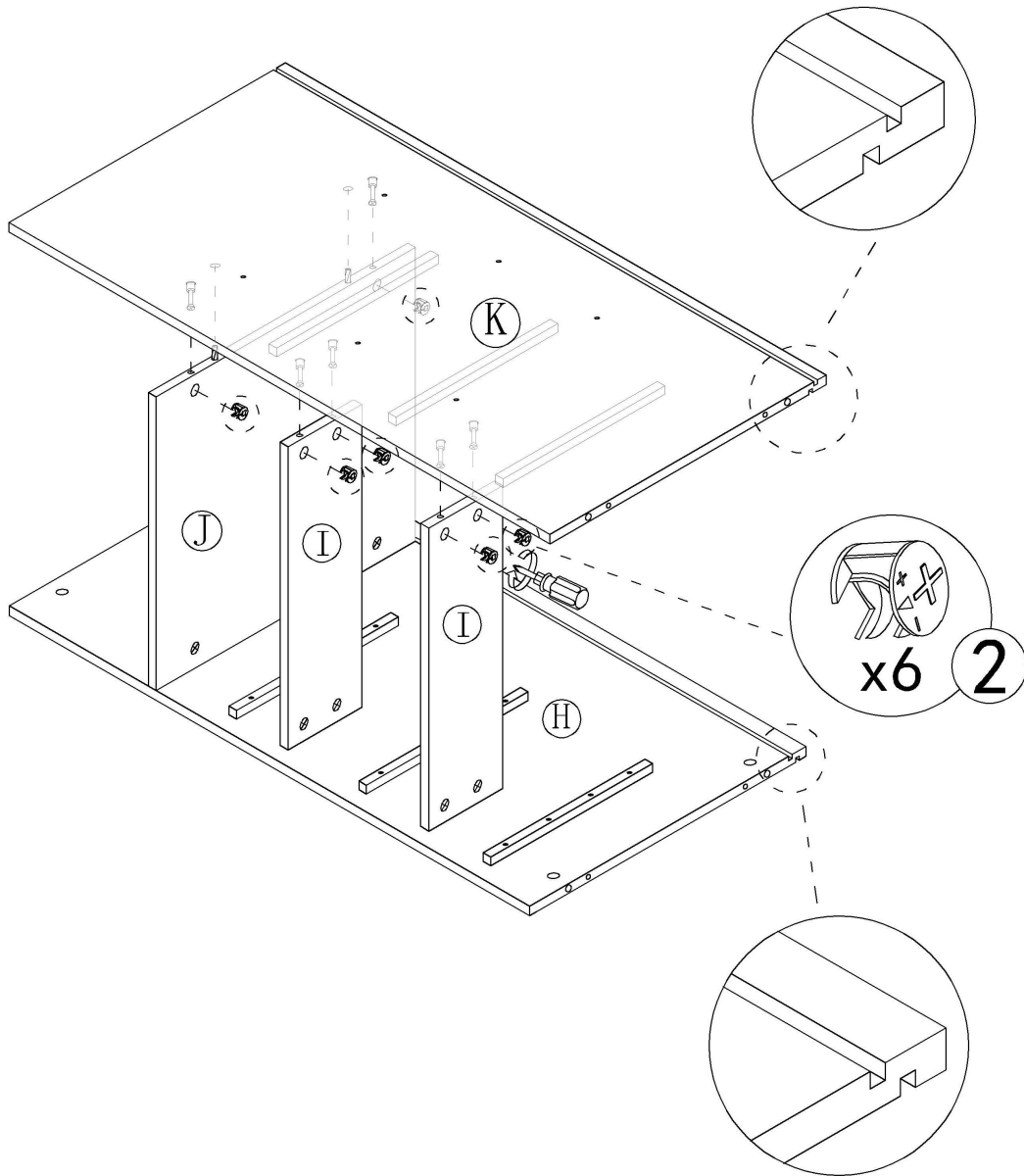
Step 19

2



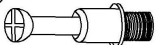
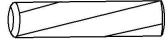


x6

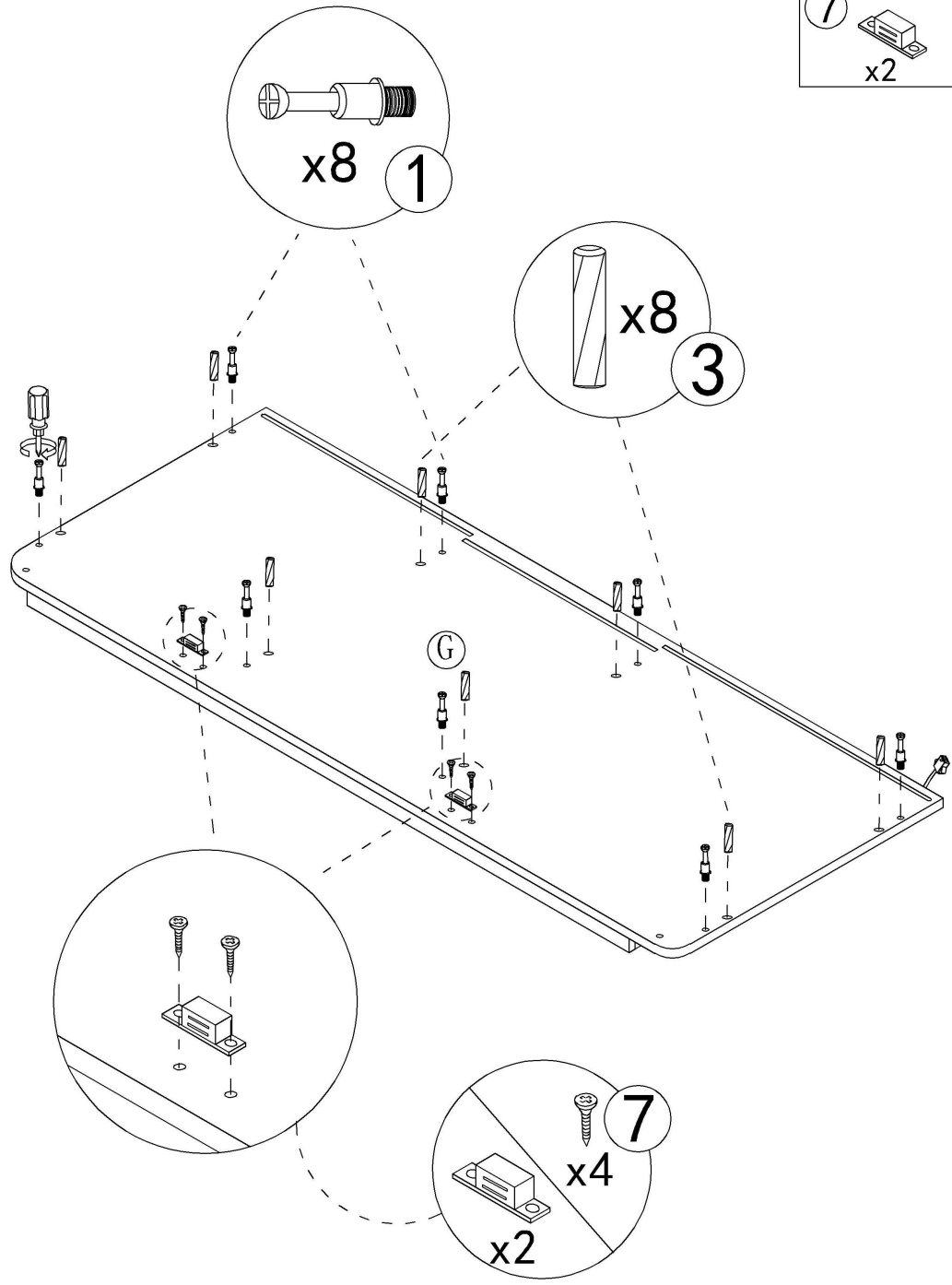
pay attention to



pay attention to

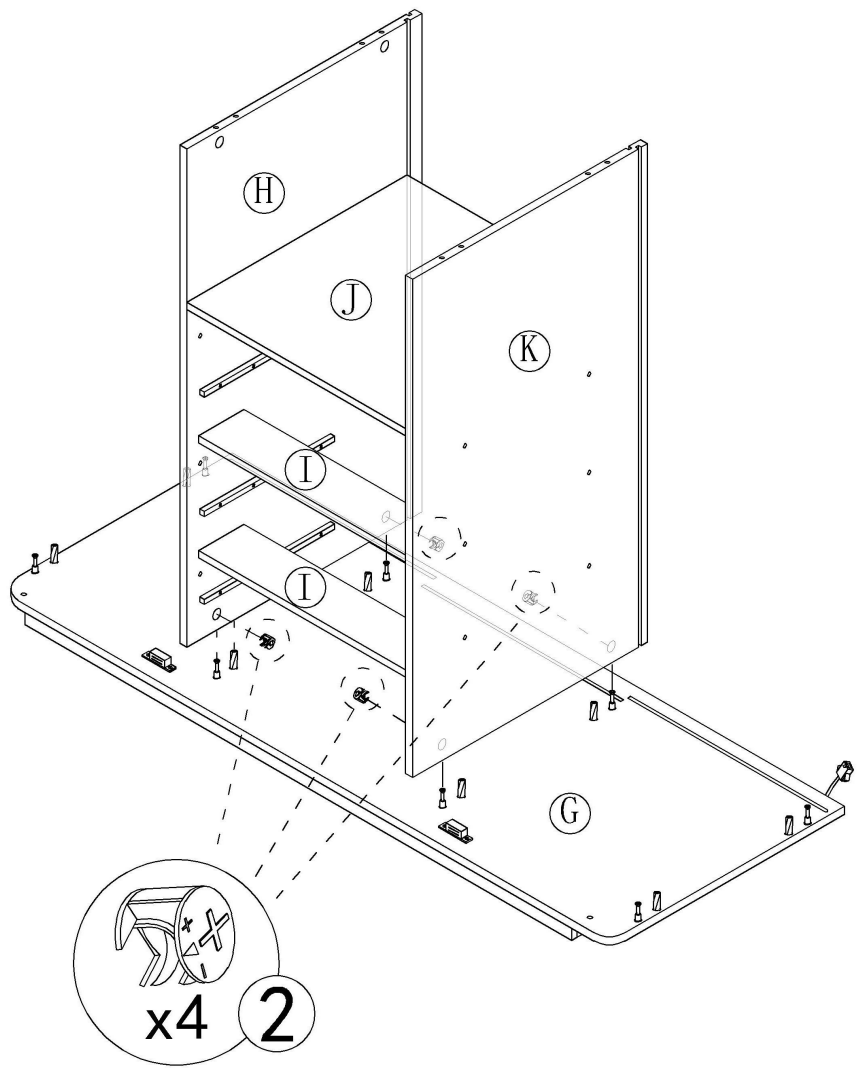
Step 20

- 1  x8
- 3  x8
- 7  x2  x4



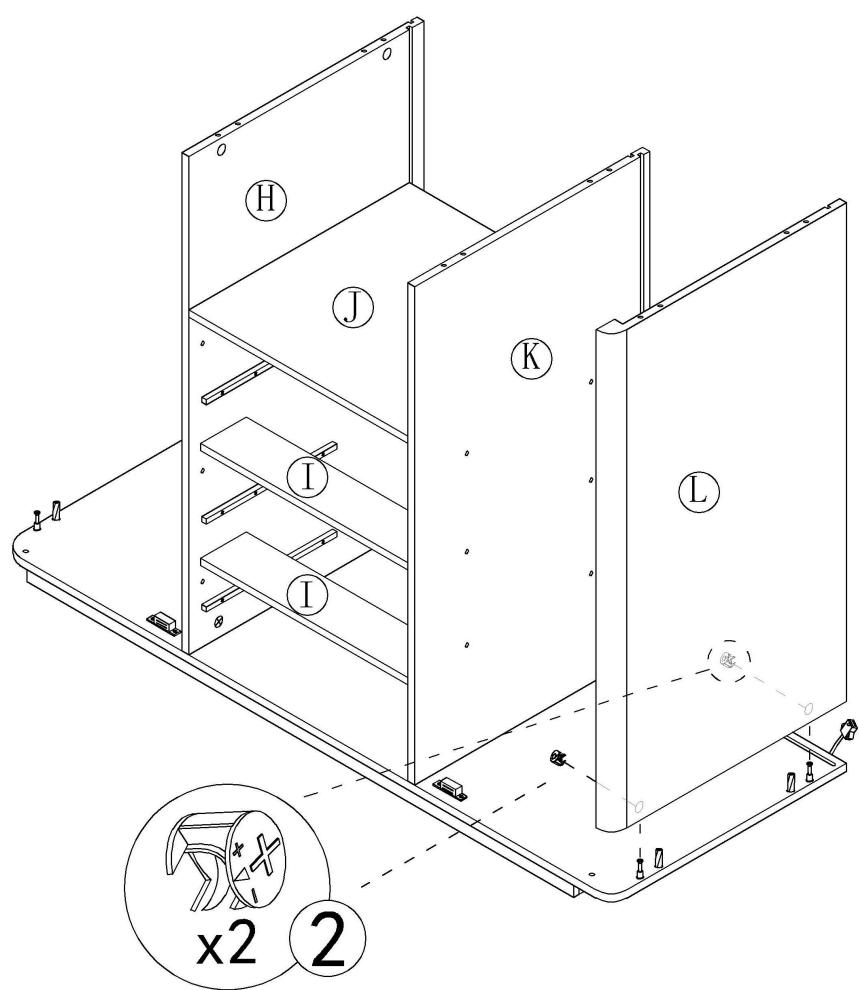
Step 21

2  x4



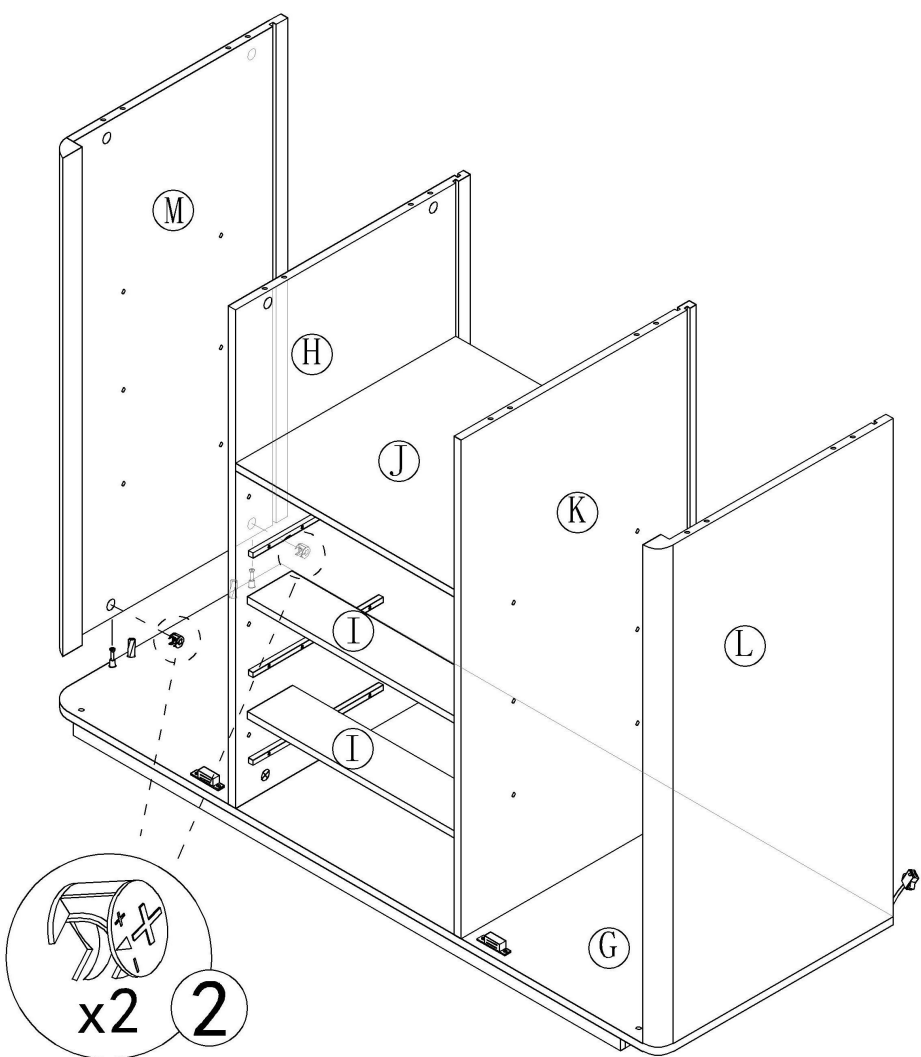
Step 22

2  x2

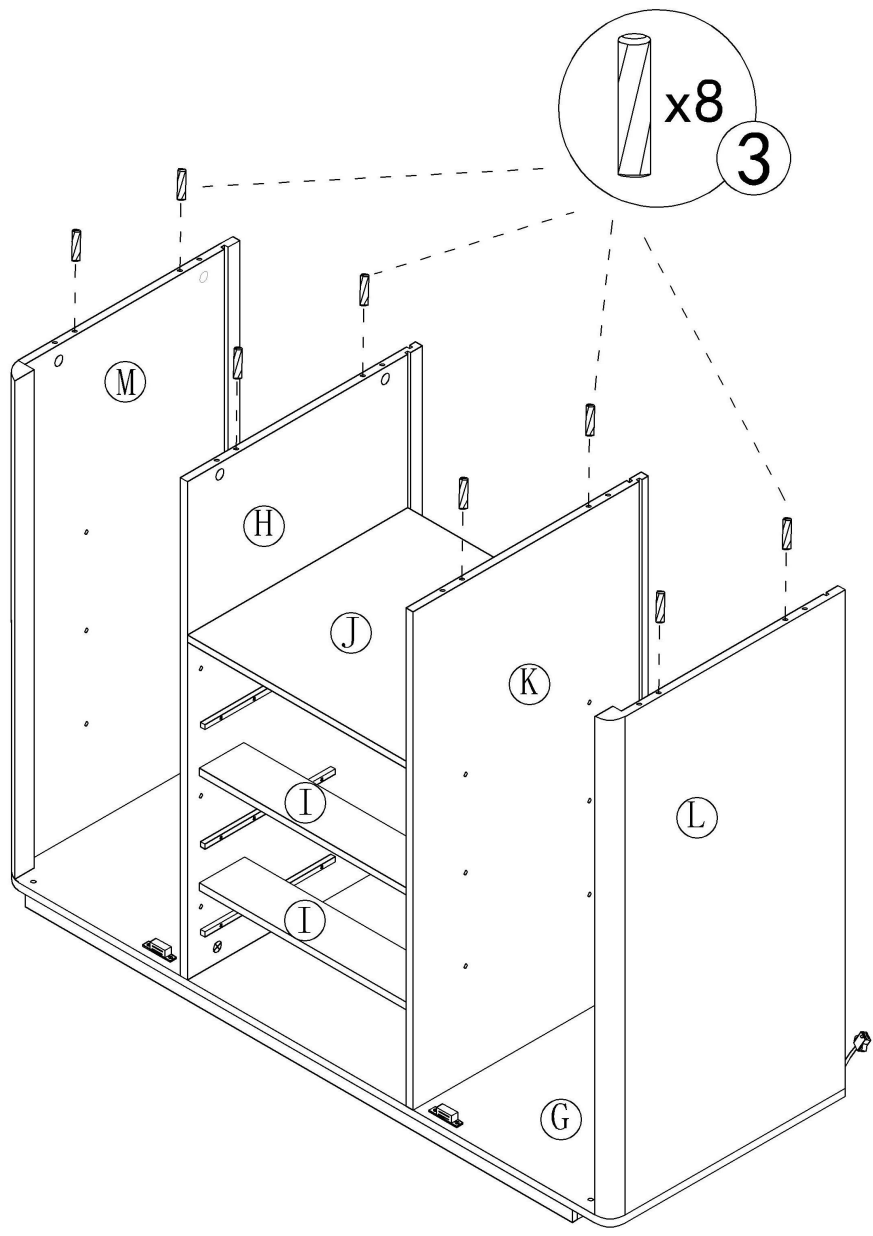
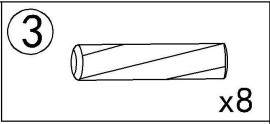


Step 23

2  x2



Step 24



# Step 25



Ox1

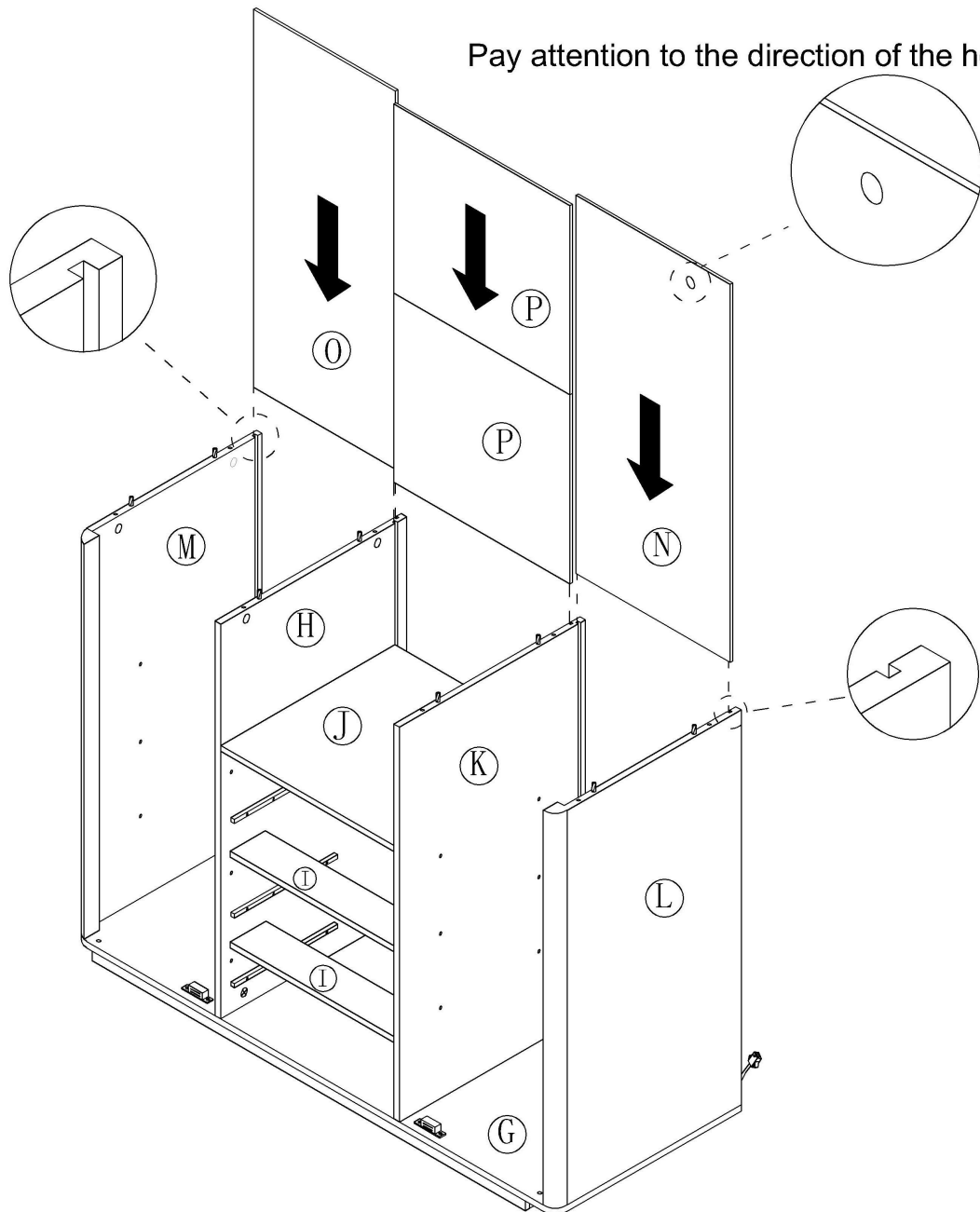


Px2

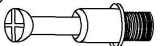




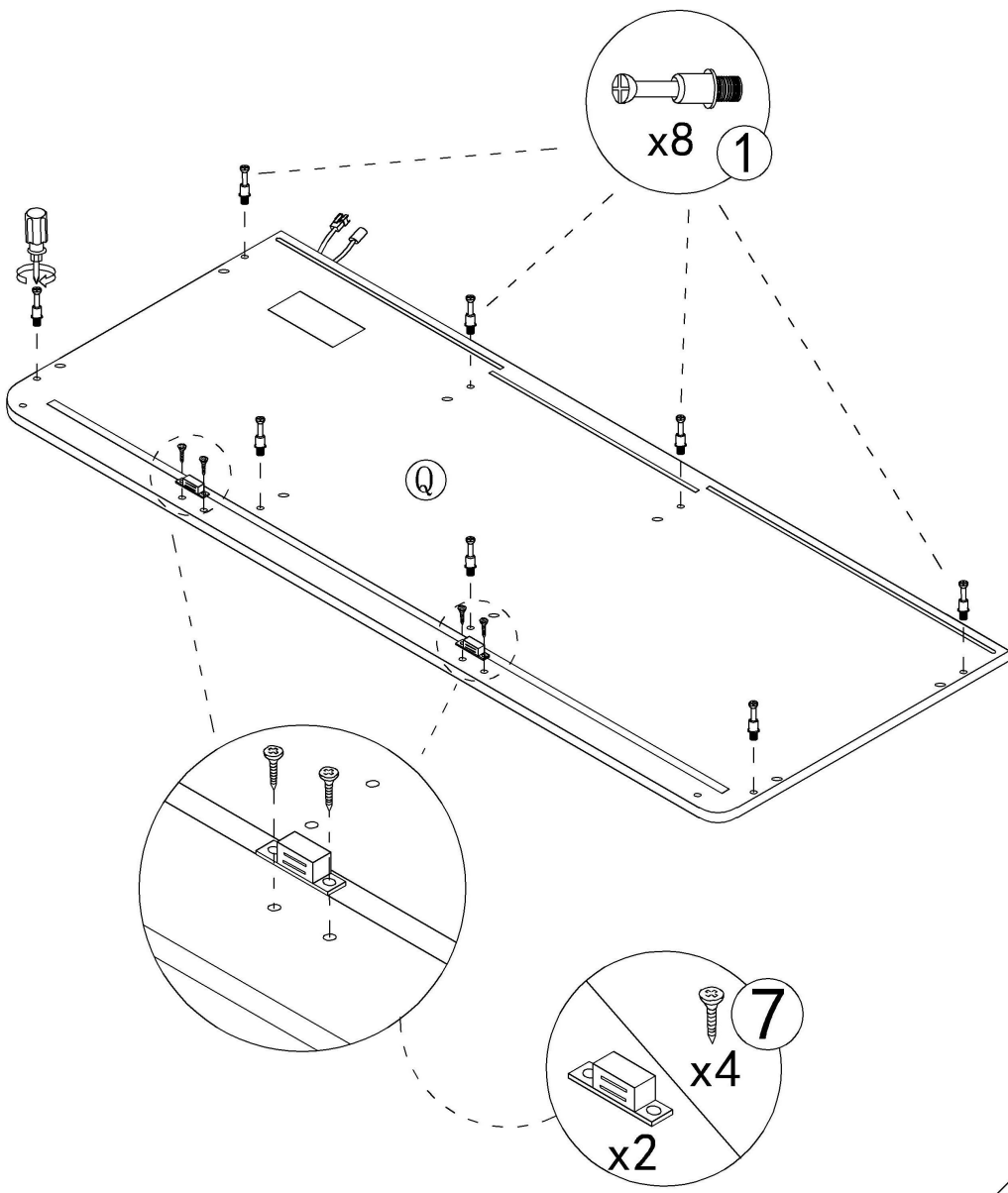
Nx1

Pay attention to the direction of the hole




Step 26

- 1  x8
- 7  x2  x4




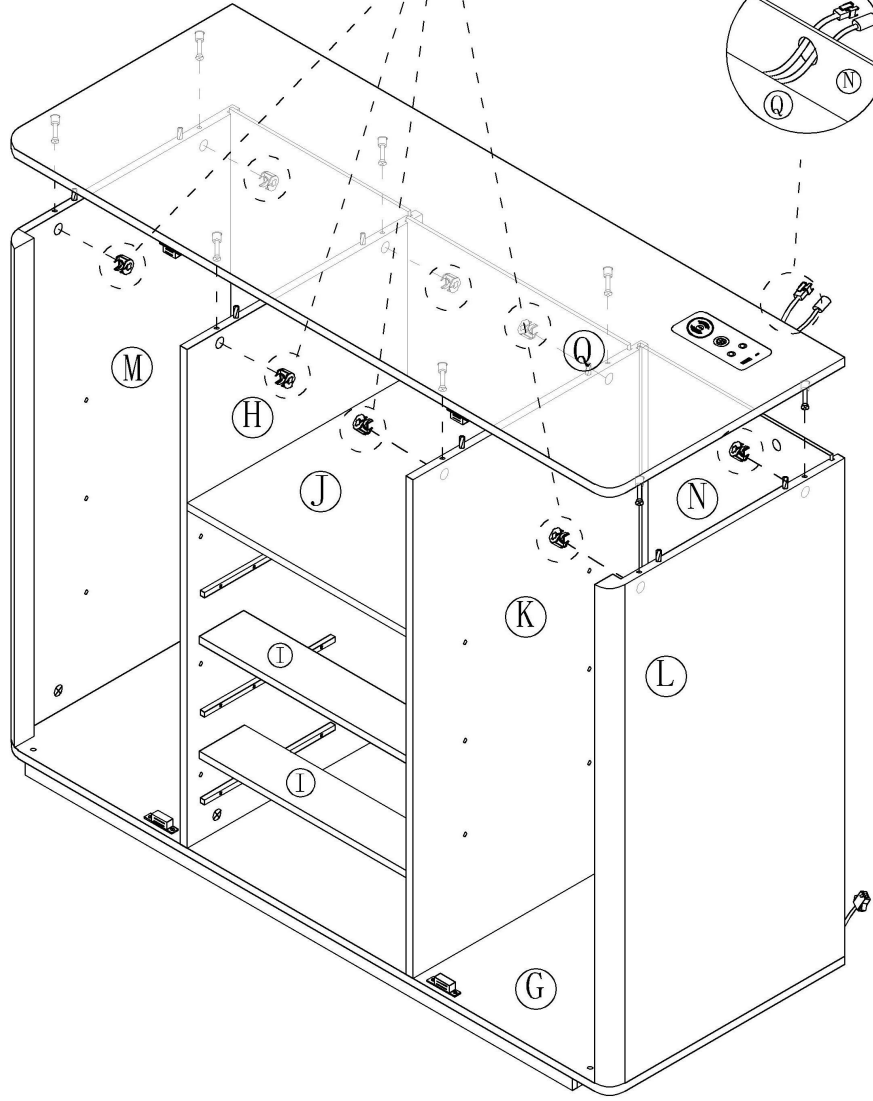
Step 27





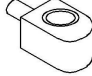

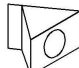
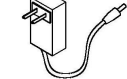


2  x8

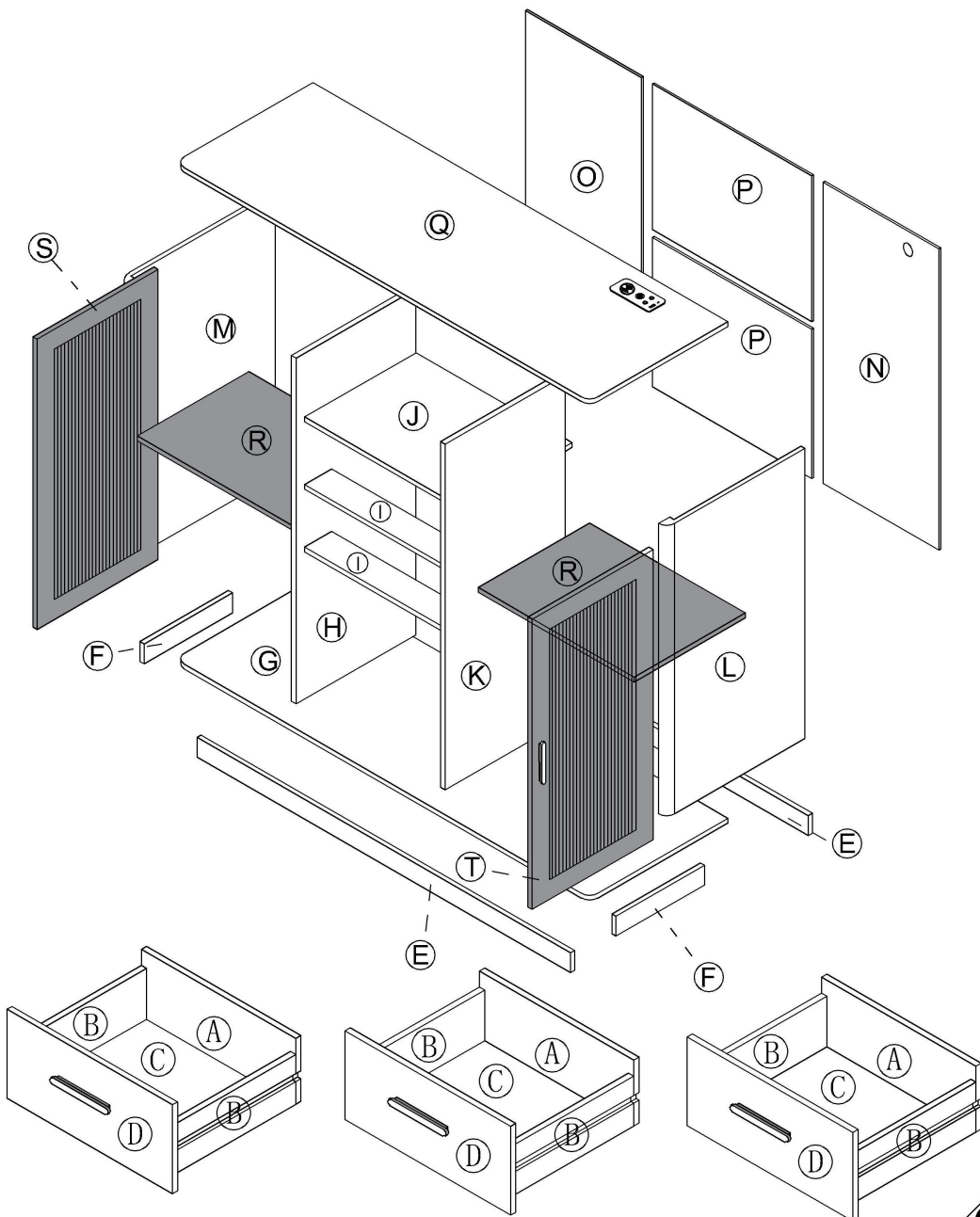
 x8 2

pay attention to

 N



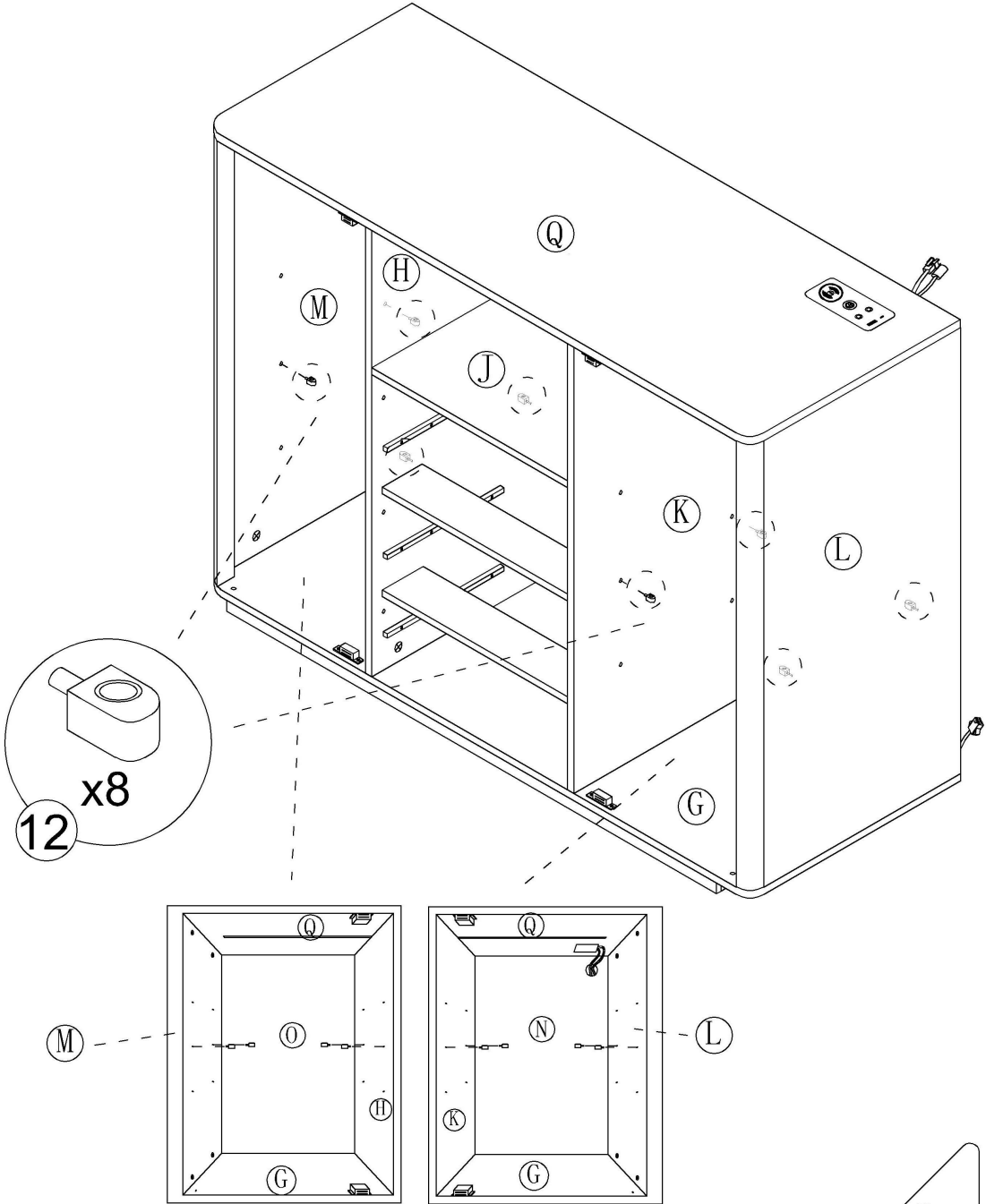
④	 2pcs	 4pcs	⑧	 4pcs	 8pcs	⑫	 8pcs
⑤	 6pcs	⑩	 12pcs	 1pcs			
⑥	 8pcs	 4pcs					



Step 28

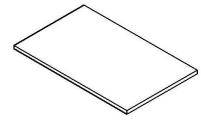


Adjust the height according to the actual situation

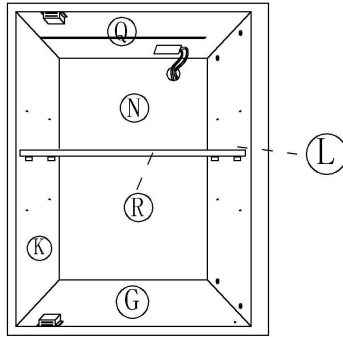
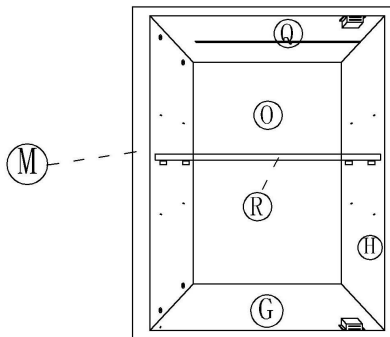
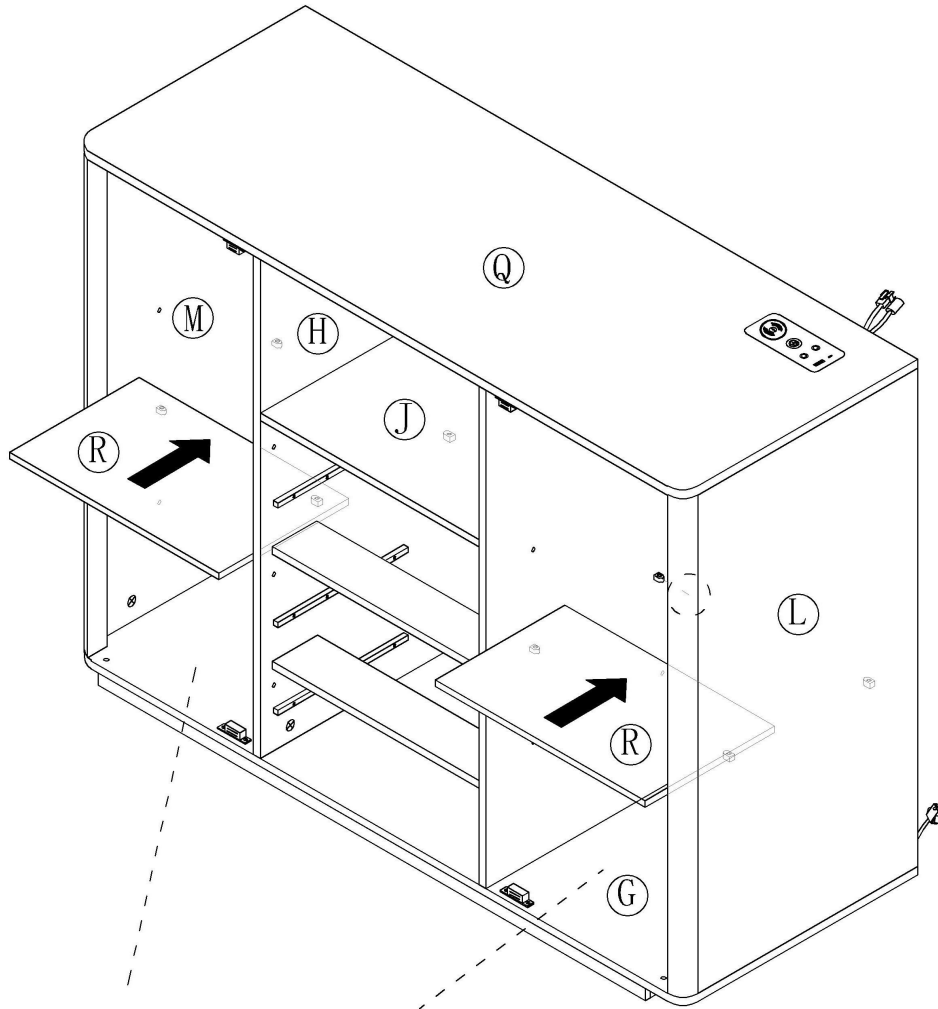


Looking at it head-on

Step 29

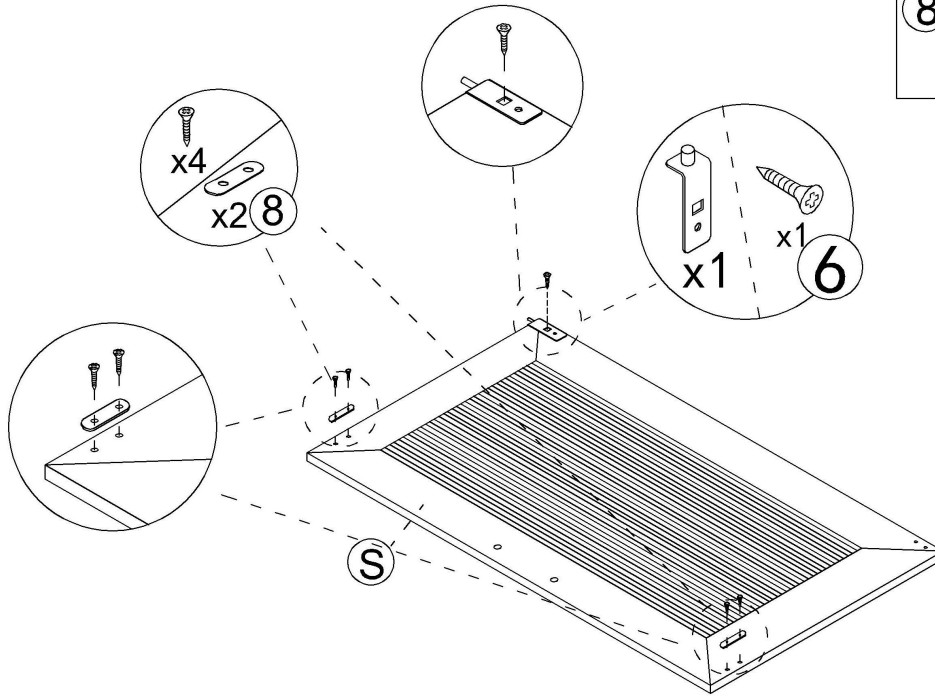


Rx1



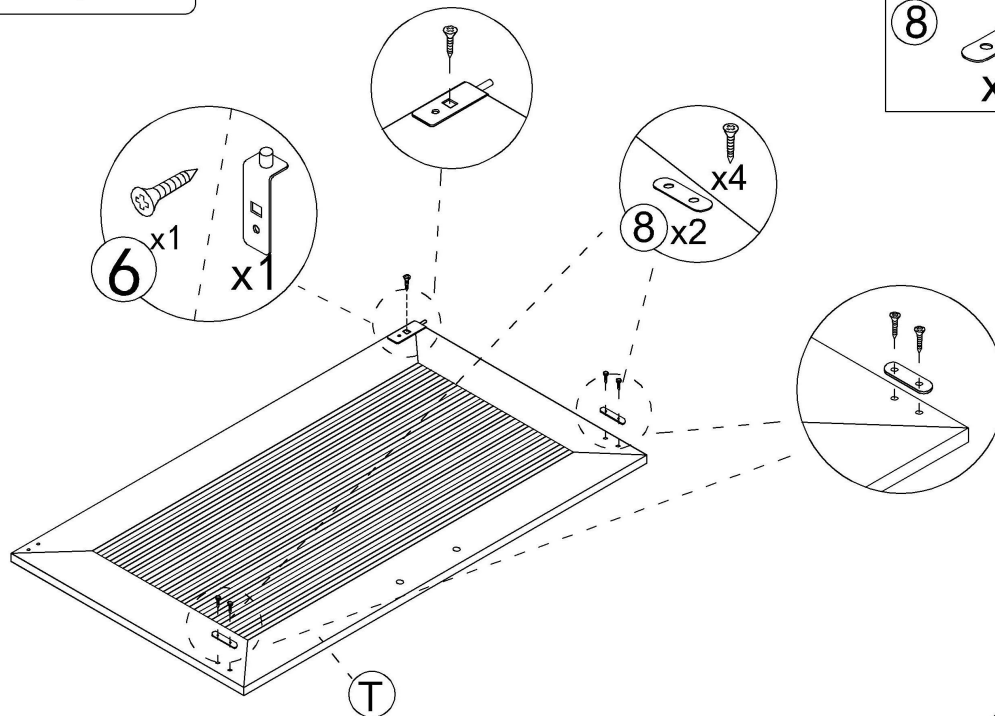
Looking at it head-on

Step 30



- |    |  |    |
|----|--|----|
| 6  |  |    |
| x1 |  | x1 |
| 8  |  |    |
| x2 |  | x4 |

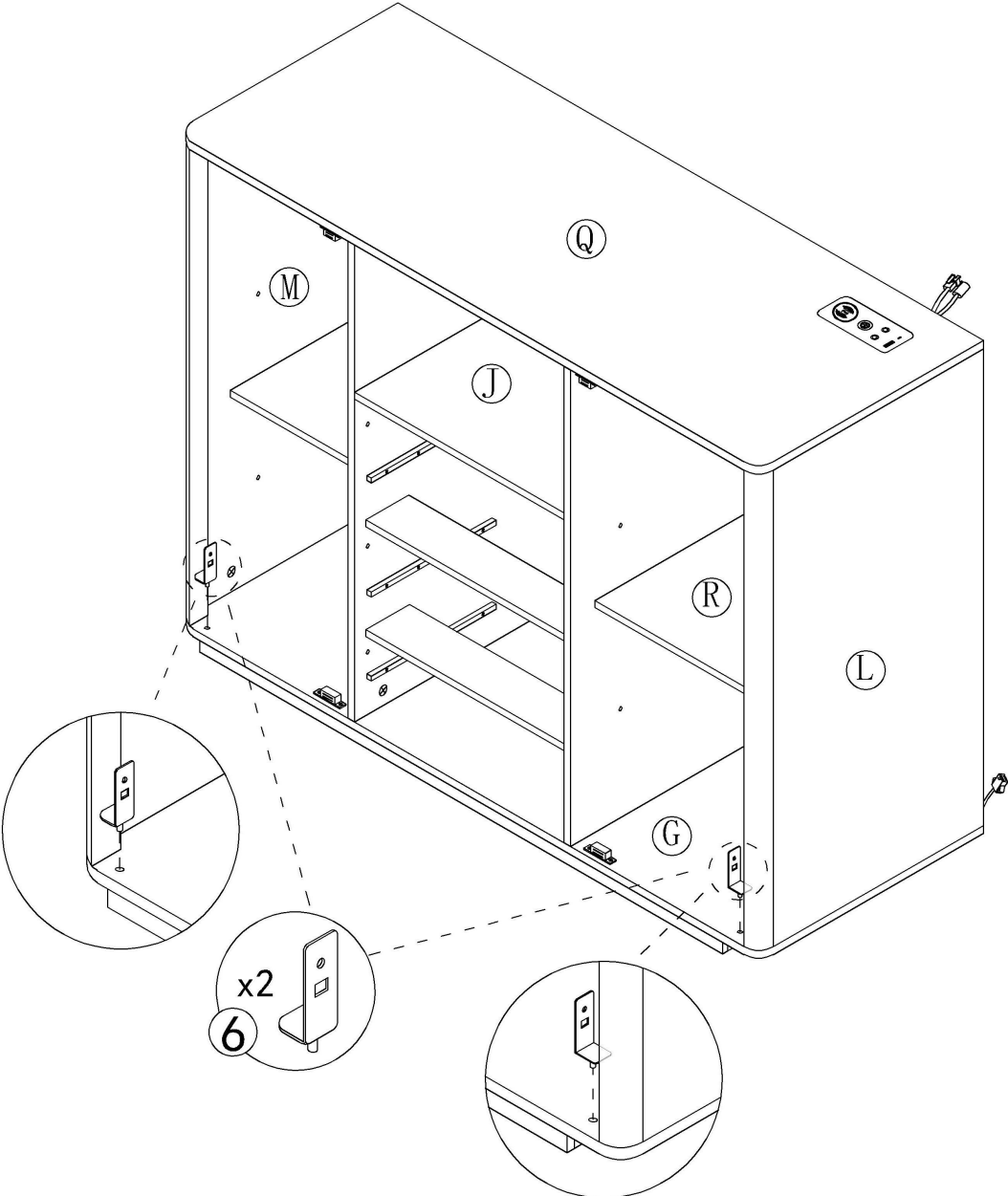
Step 31



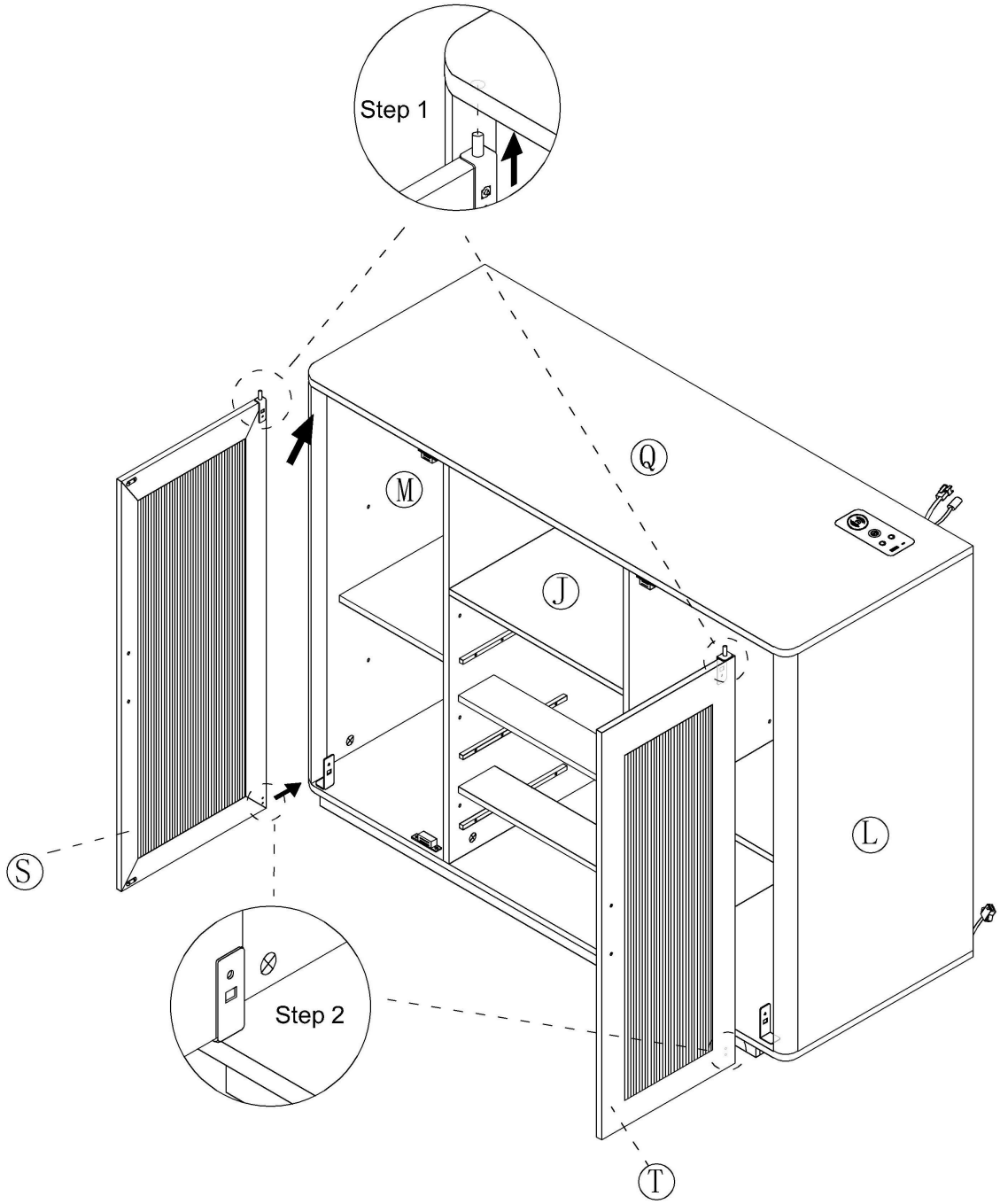
- |    |  |    |
|----|--|----|
| 6  |  |    |
| x1 |  | x1 |
| 8  |  |    |
| x2 |  | x4 |

Step 32

6 x2

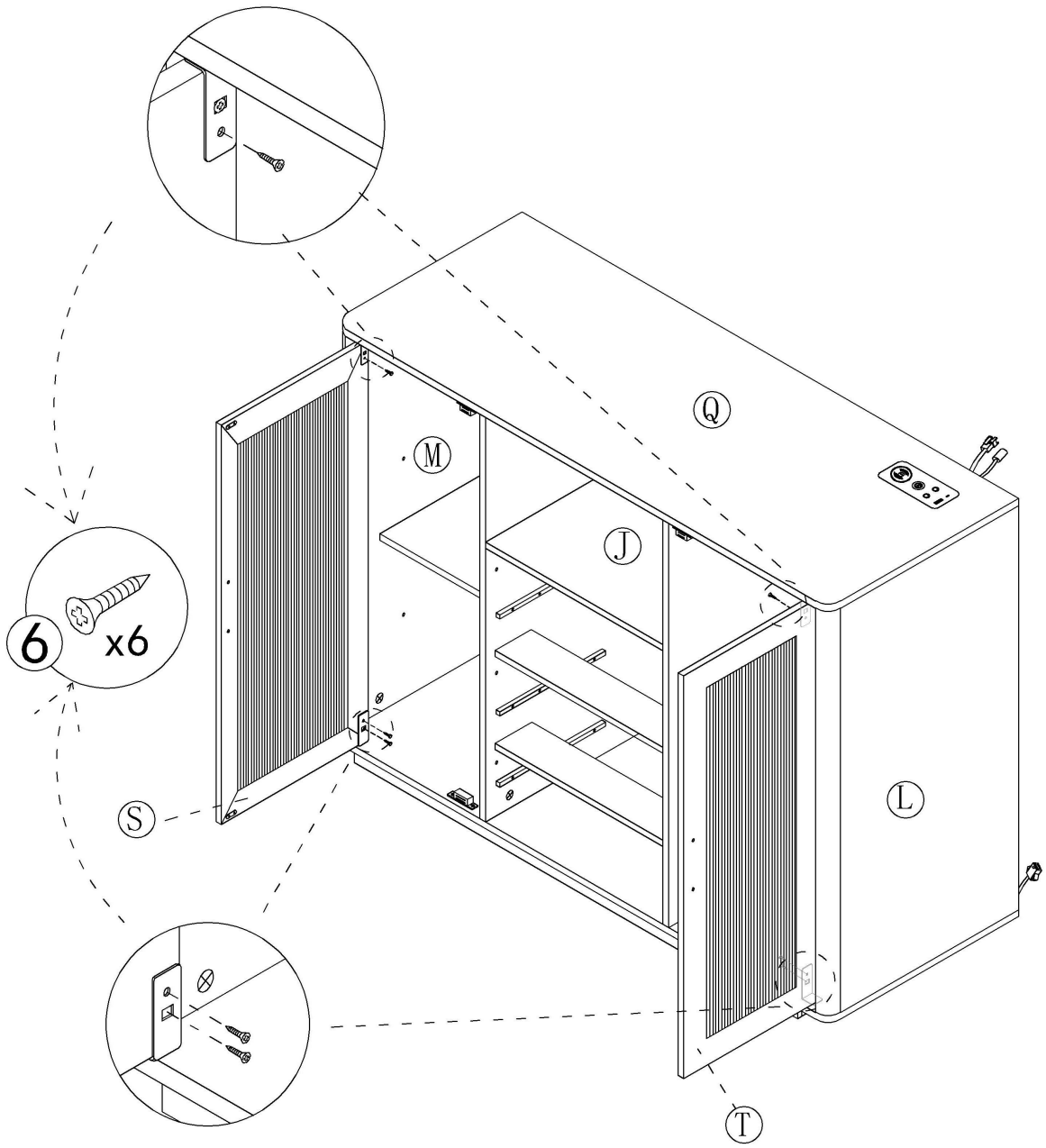


Step 33



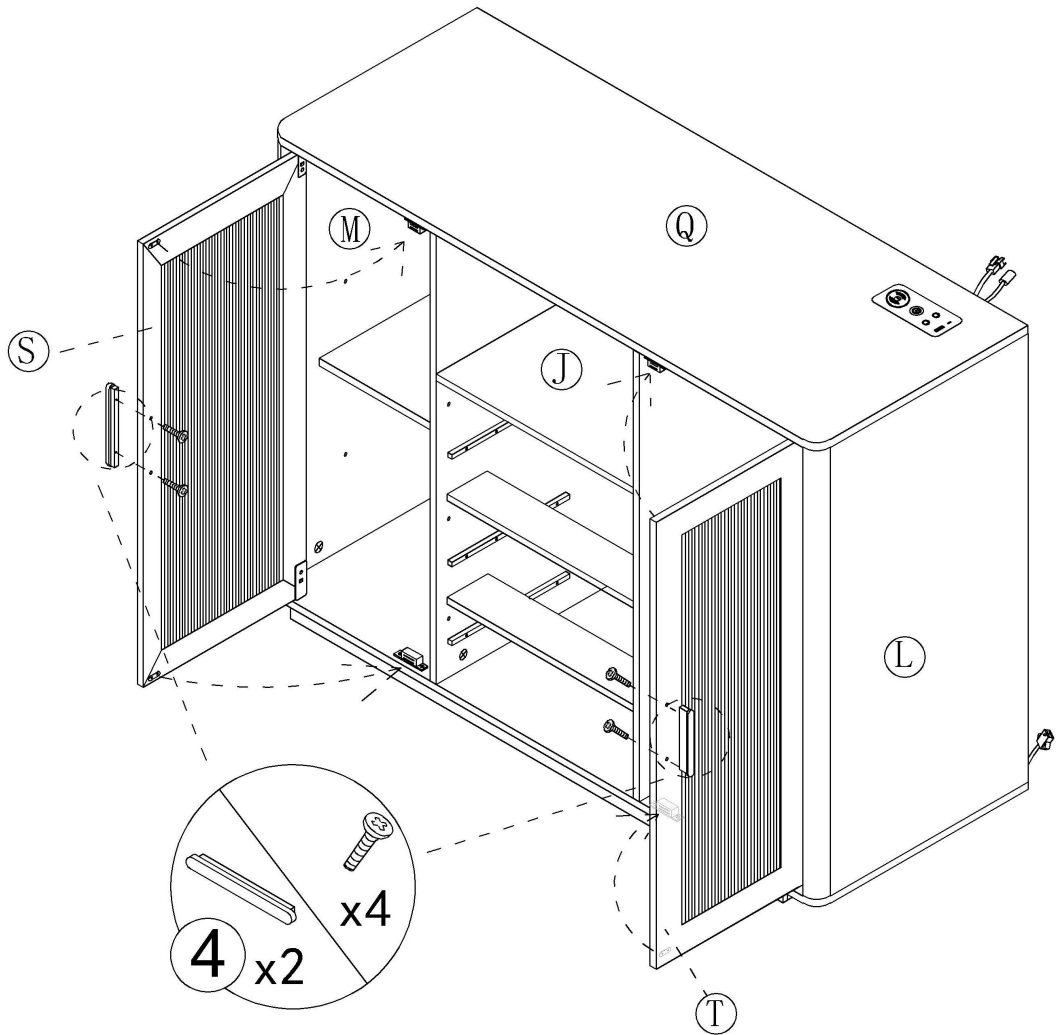
Step 34

6  x6

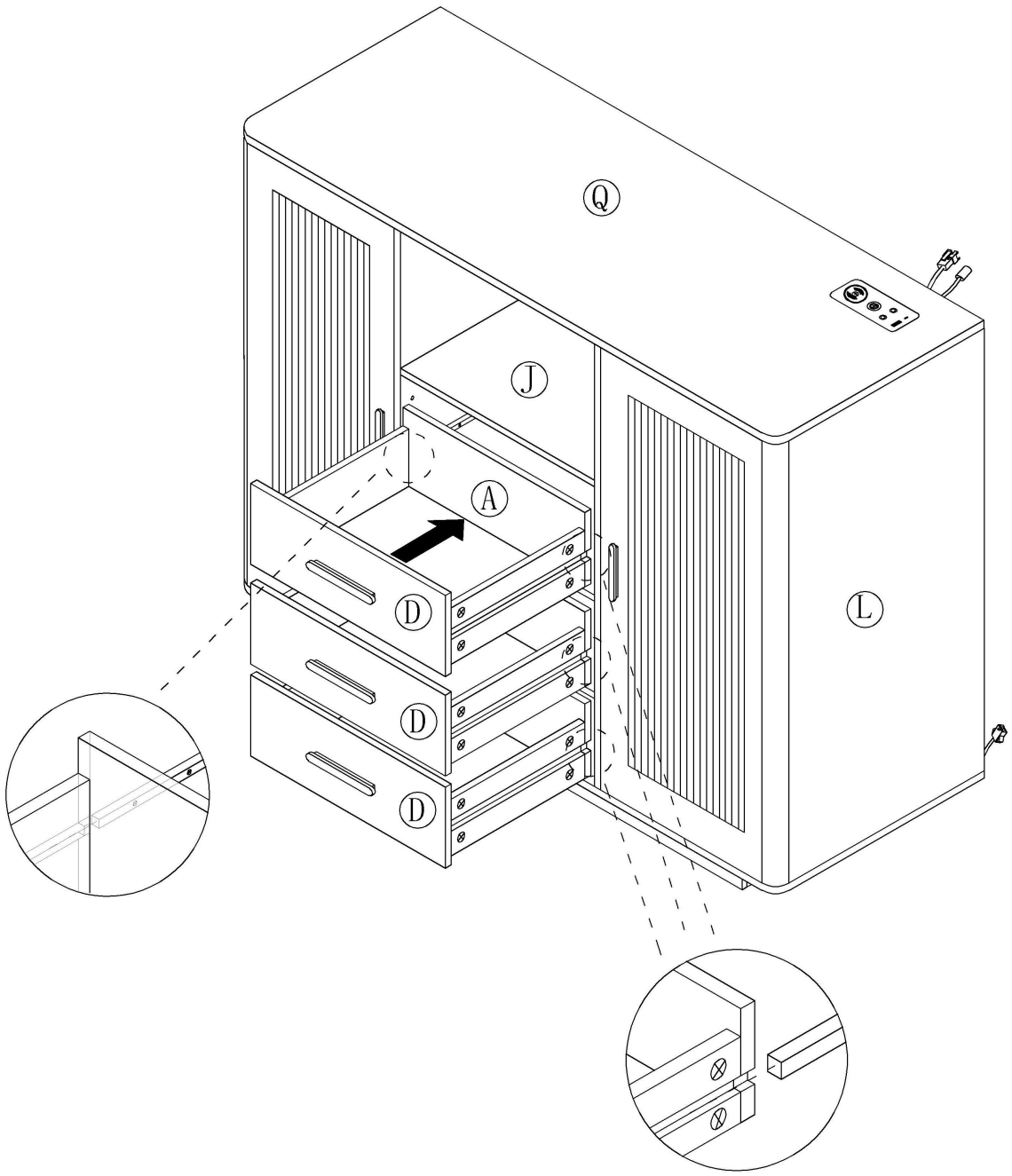


Step 35

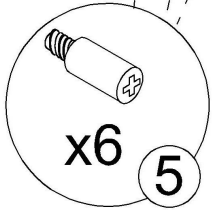
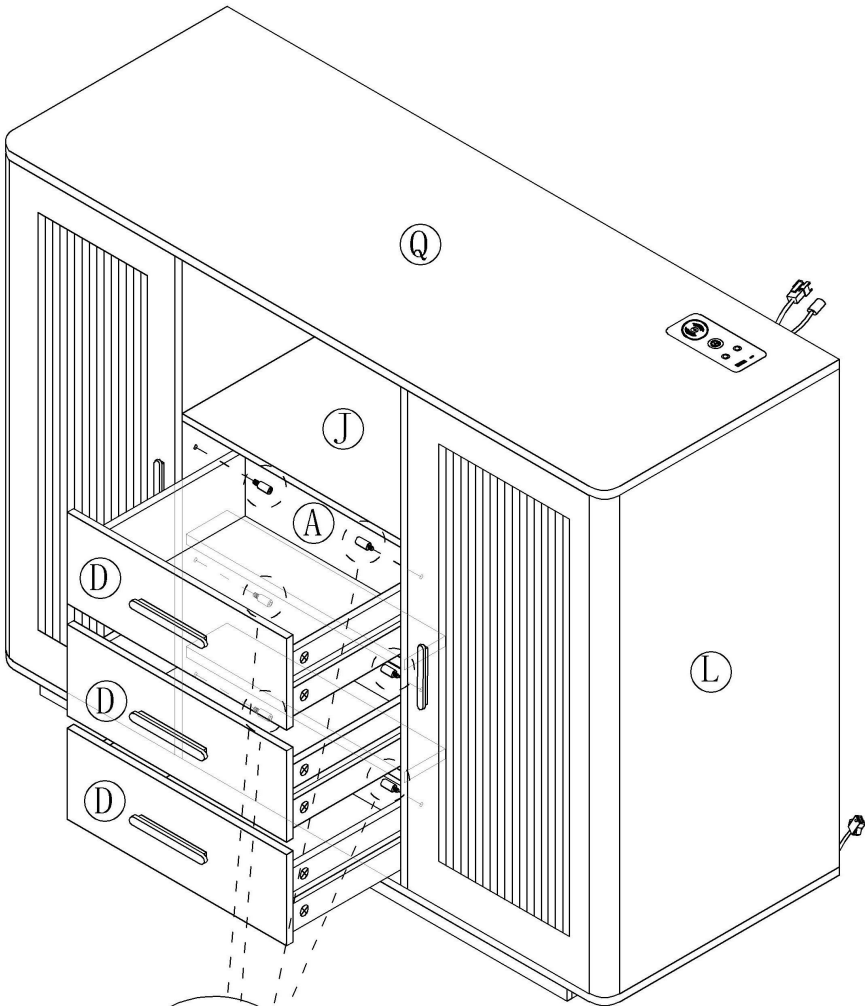
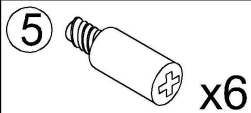
4 x2  x4 



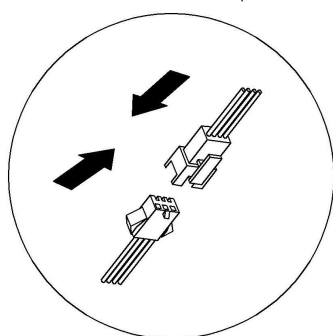
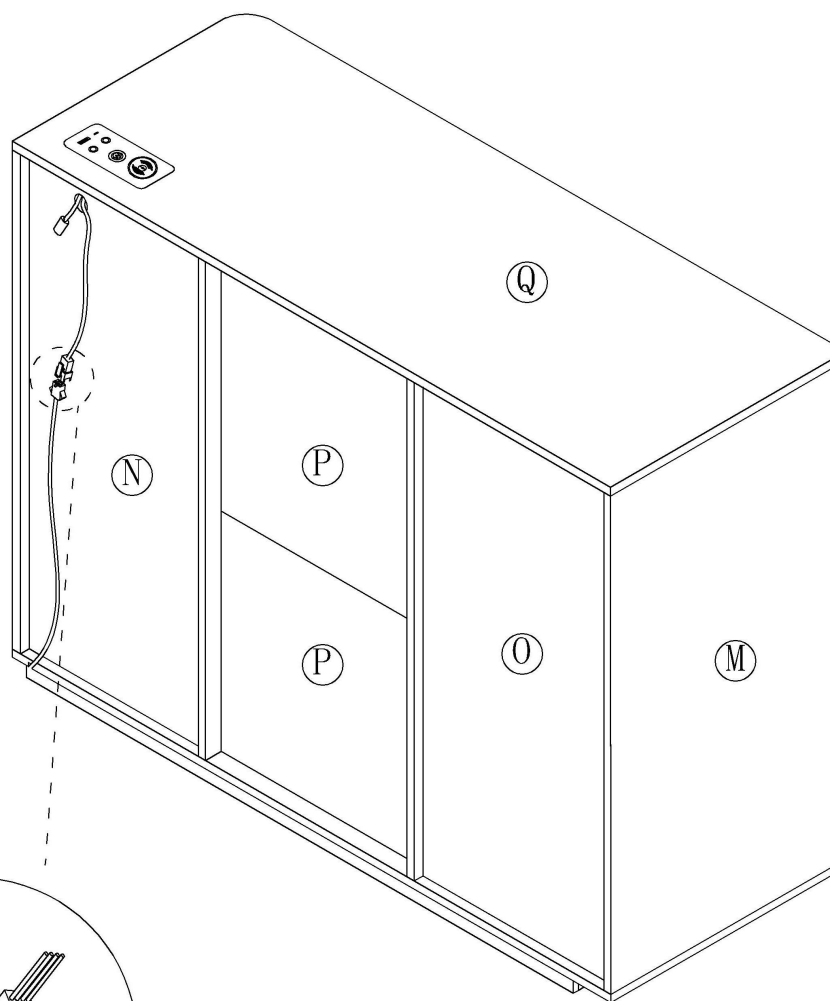
Step 36



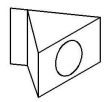

Step 37

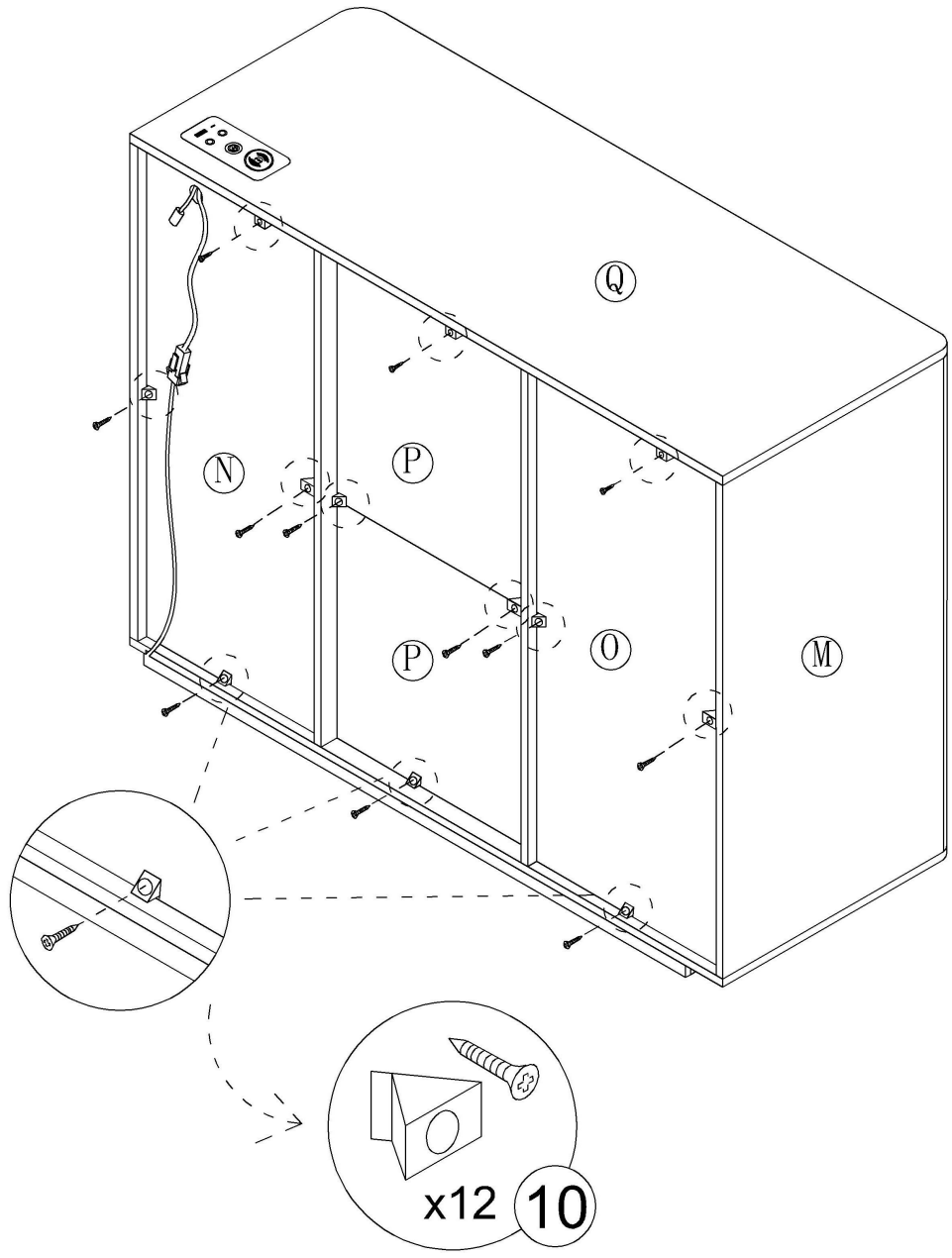


Step 38

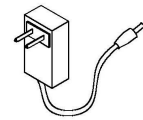


Step 39

10    
x12

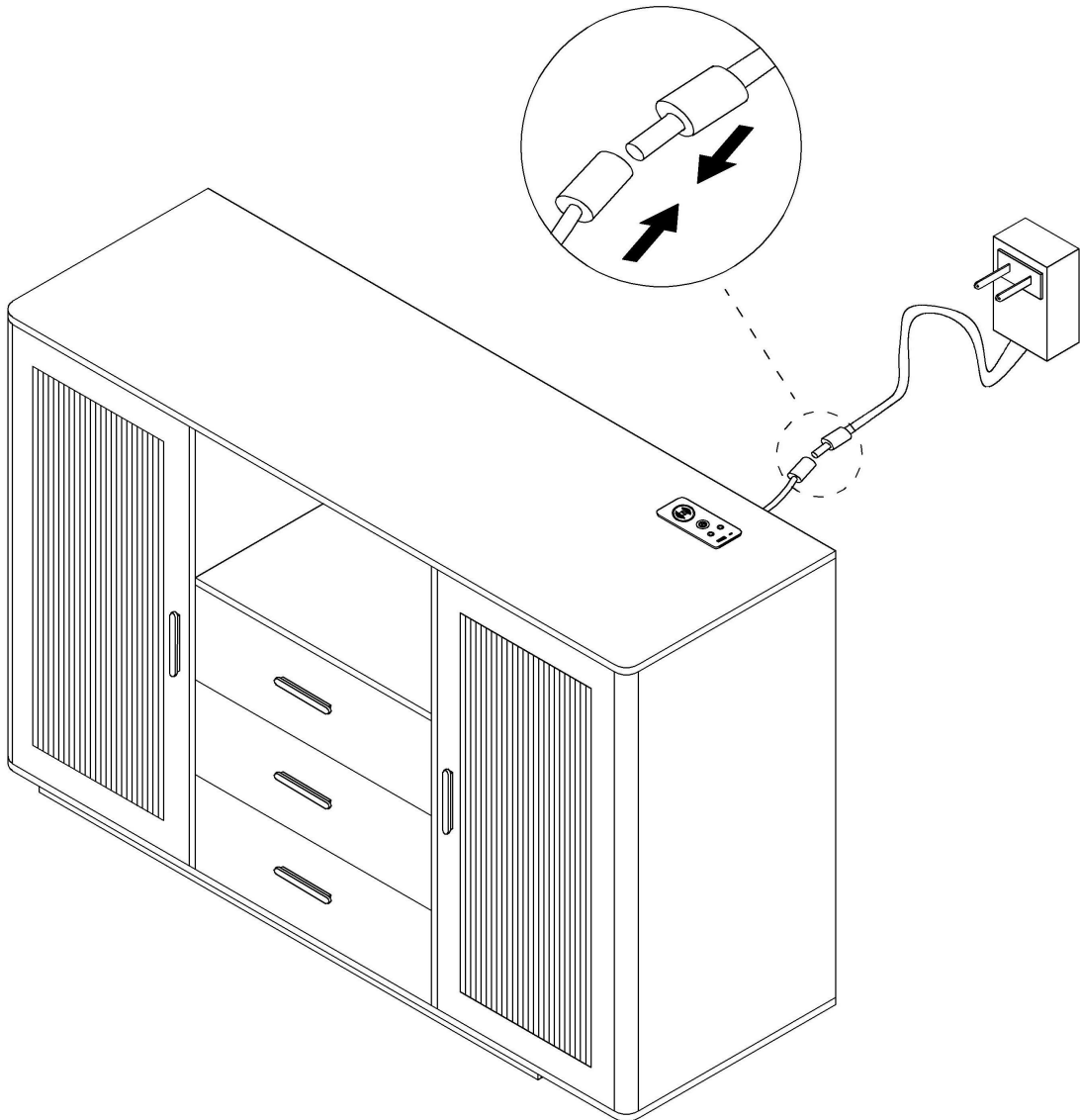


Step 40



x1

The bedside table supports wireless charging ,  
It can be charged by placing a mobile phone  
that supports wireless charging





## User's Guide

Thank you for purchasing this product.

To use this product, please plug it into a 12VDC power supply.

Please use it if the product works normally after connecting to power.

## Introduction

The box is an intelligent controller which integrates the charging function and the lighting control function, coming with 1 USB port and 1 type-C port, 2 touch buttons, a 24-color lighting control button, and a wireless charger.

## Operation



This touch button is used to turn on/off lights and adjust brightness.

A. Long touch -> adjust the luminance.

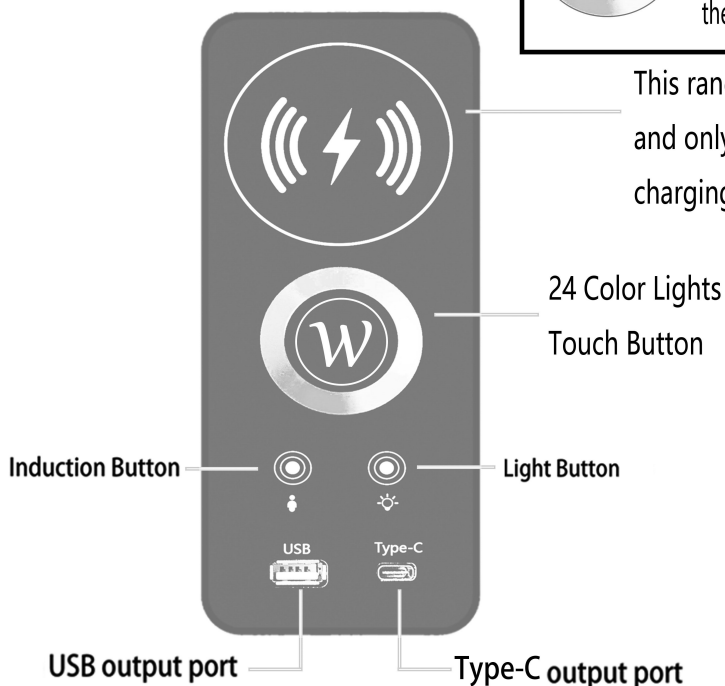


This touch button is used to turn on/off the induction function.

- A. Short touch to turn on the induction function. It can auto-turn on the light when people are close to the controller within 1 meters. It can auto power off the light when the body is far away from the controller after 30 seconds.
- B. Long touch to turn off the induction function.
- C. Note: When you touch the light button to change the light modes, the induction function will automatically turn off. It is best to turn on this function after selecting the light color and adjusting the brightness you want.



This touch button is used to change 24 colors light. You can rotate the ring to choose colors, or click the ring to choose colors. Click in the middle of the ring, and reset to the white light.



### ATTENTION PLEASE

1. If there is no touch response suddenly, Re-plug the power to reset the touch static electricity.
2. If bubbles appear on the panel, remove the protective film.
3. If you have any questions when installing, please feel free to contact us. Thank you.