

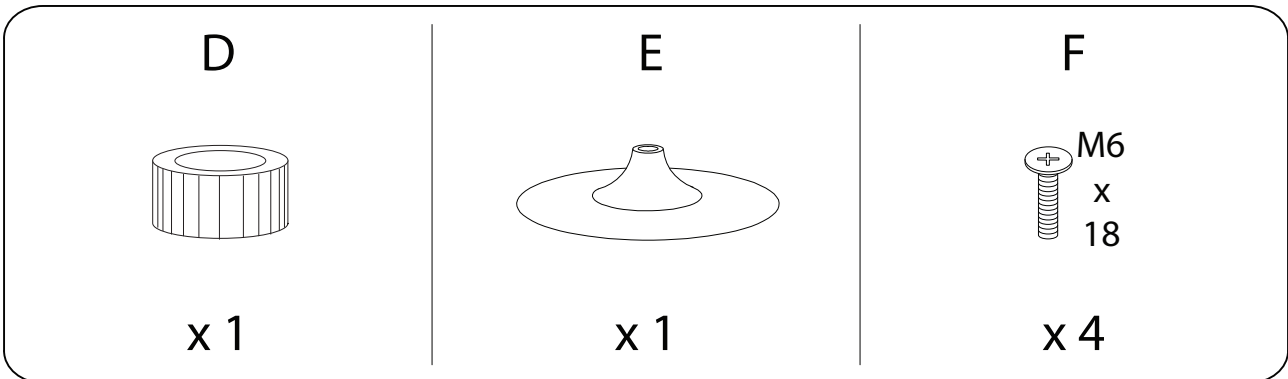
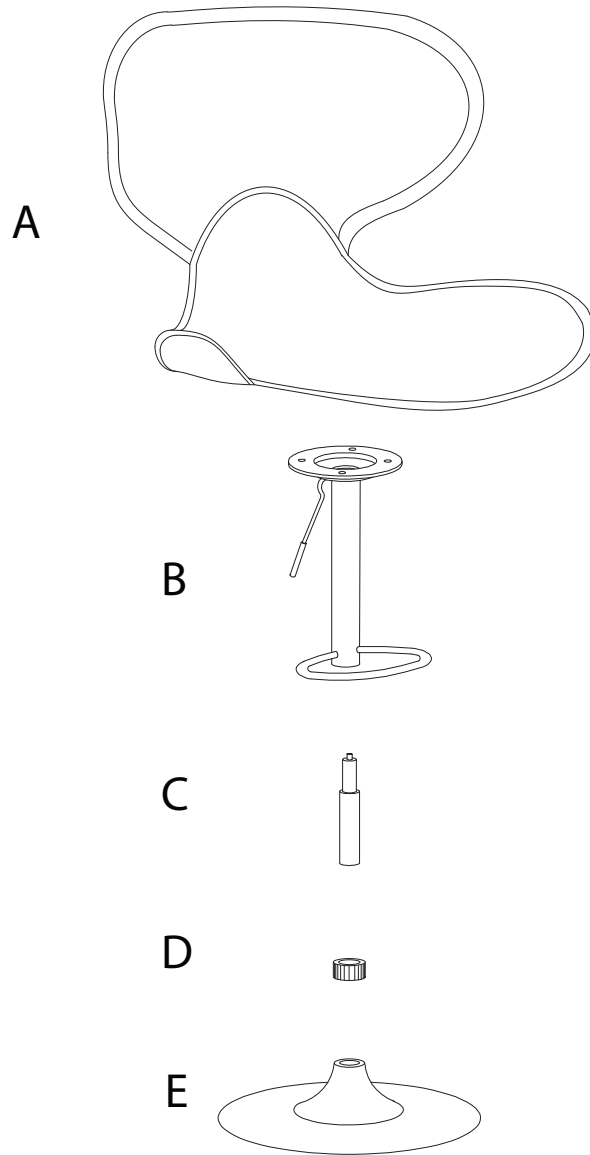
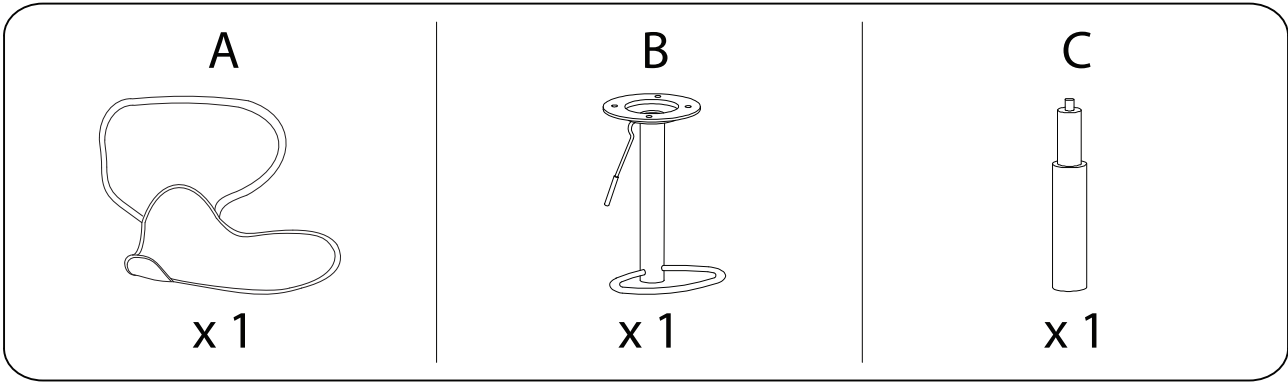
Assembly instructions for the chair, including tool requirements, time, and personnel.

**Tools:** A screwdriver is shown as required, and a power drill is shown as not required.

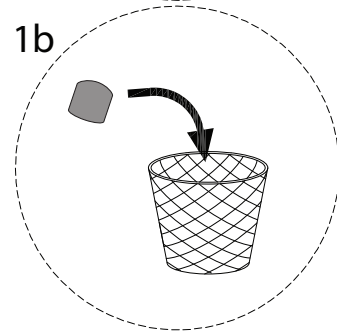
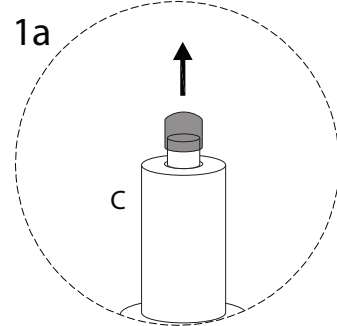
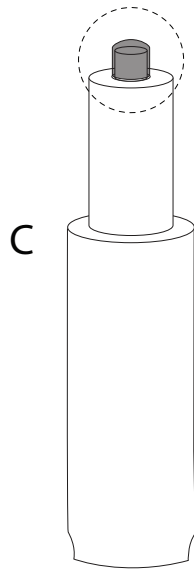
**Time:** 15 minutes.

**Personnel:** 1 person.

**Warnings:** Two warning triangles with exclamation marks are present, one above the tools section and one above the personnel section.



!



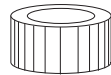
1

C



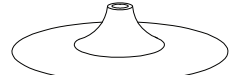
x 1

D

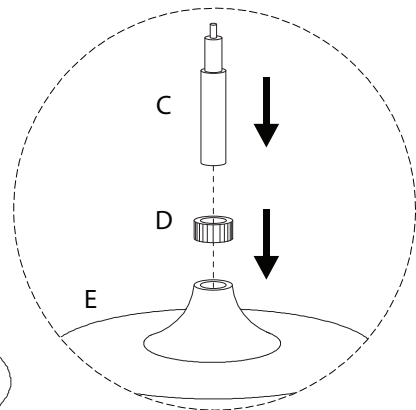
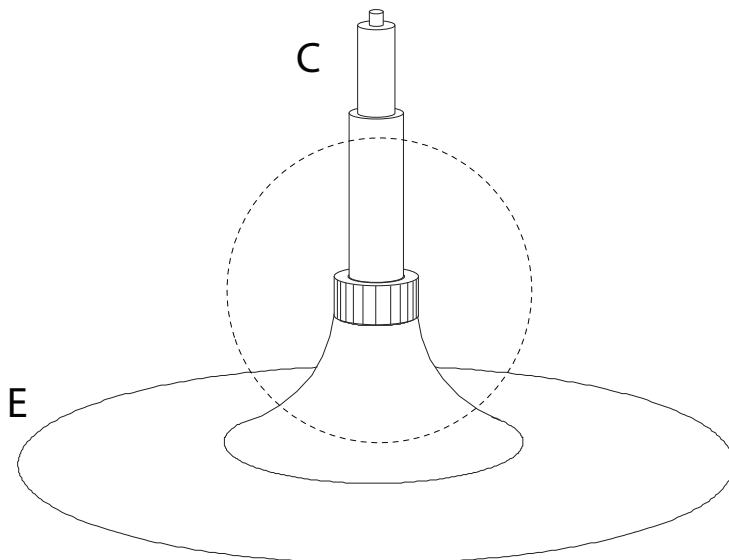


x 1

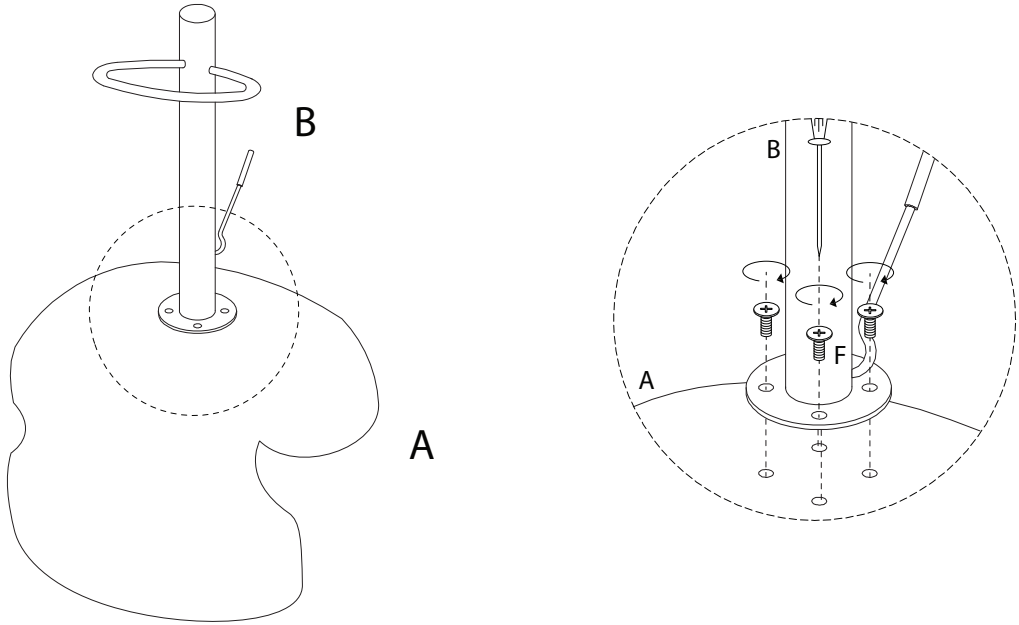
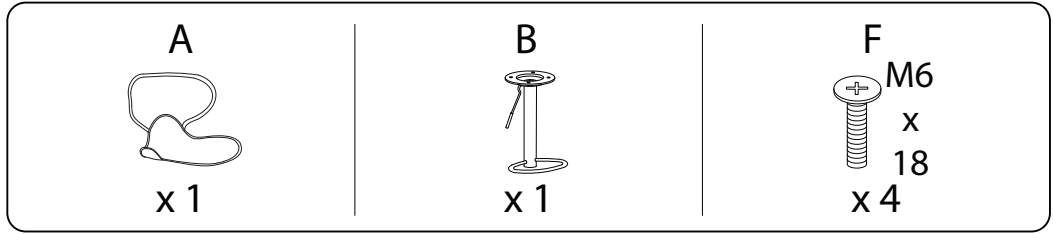
E



x 1



2



3

