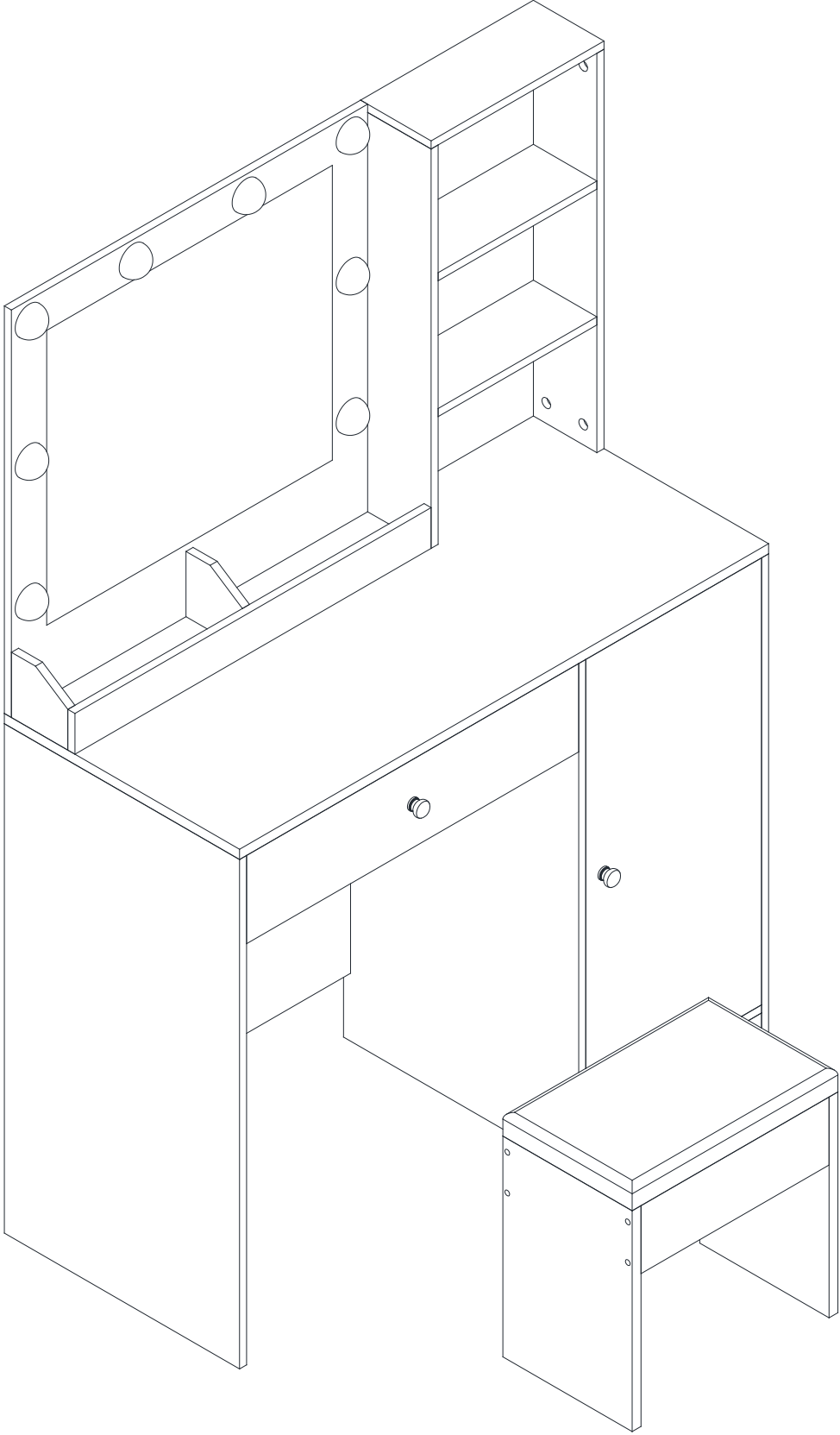


ASSEMBLY INSTRUCTION

An icon depicting two stylized human figures in overalls, representing the number of people required for assembly. Below them is a circular clock face with numbers 3, 6, 9, and 12, and a hand pointing to the 2 o'clock position. To the right of the clock, the text "120 min" is displayed, indicating the estimated assembly time.

120 min

! SAFETY WARNINGS !

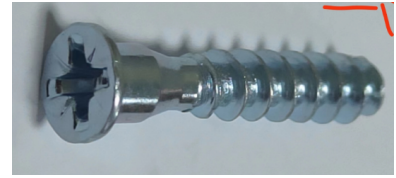
1. Please read the instructions fully before assembly. These instructions include important information which could ensure correct assembly. We have been working on providing high quality products for you. However, in the rare instance that your product is defective, missing parts or there are some issues, please don't hesitate to contact our customer service to submit parts requirements, assembly suggestion, or warranty claims, and we will give the best solution as soon as possible. If necessary, we need you to provide some more clear pictures of the issue.
2. Insert the screws in holes and tighten the screws, but not too tight, 70% is ok, finally tighten all the screws. If some issues happened that some screws can not target to the hole or some parts are difficult to install, please adjust the tightness of the screws.
3. 2 people are recommended to finish.



Ax61



Bx61



Cx12



Dx24



Ex2



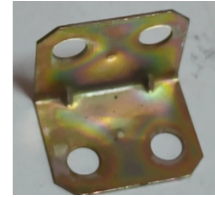
Fx2



Gx1



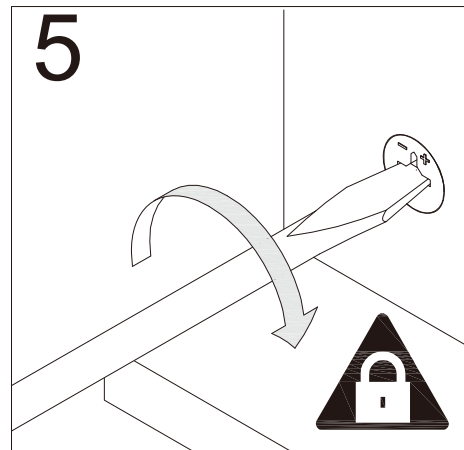
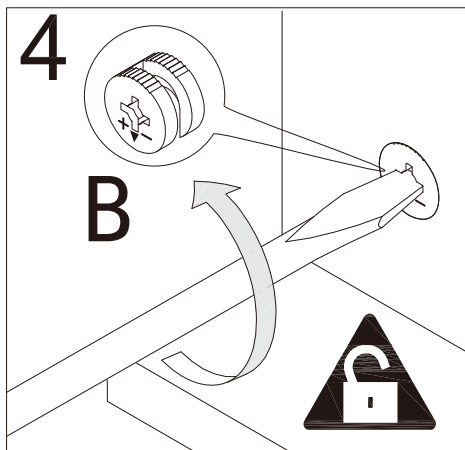
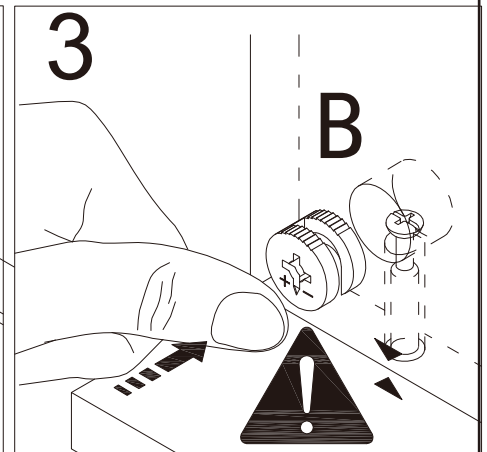
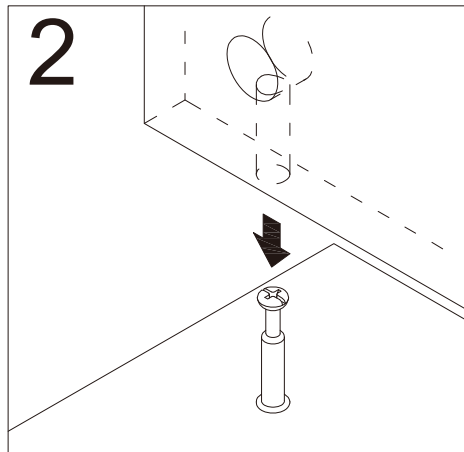
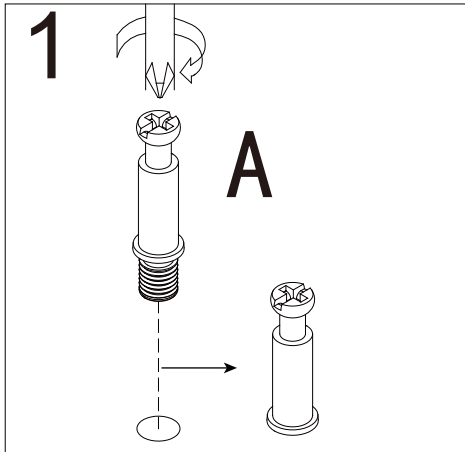
Hx2

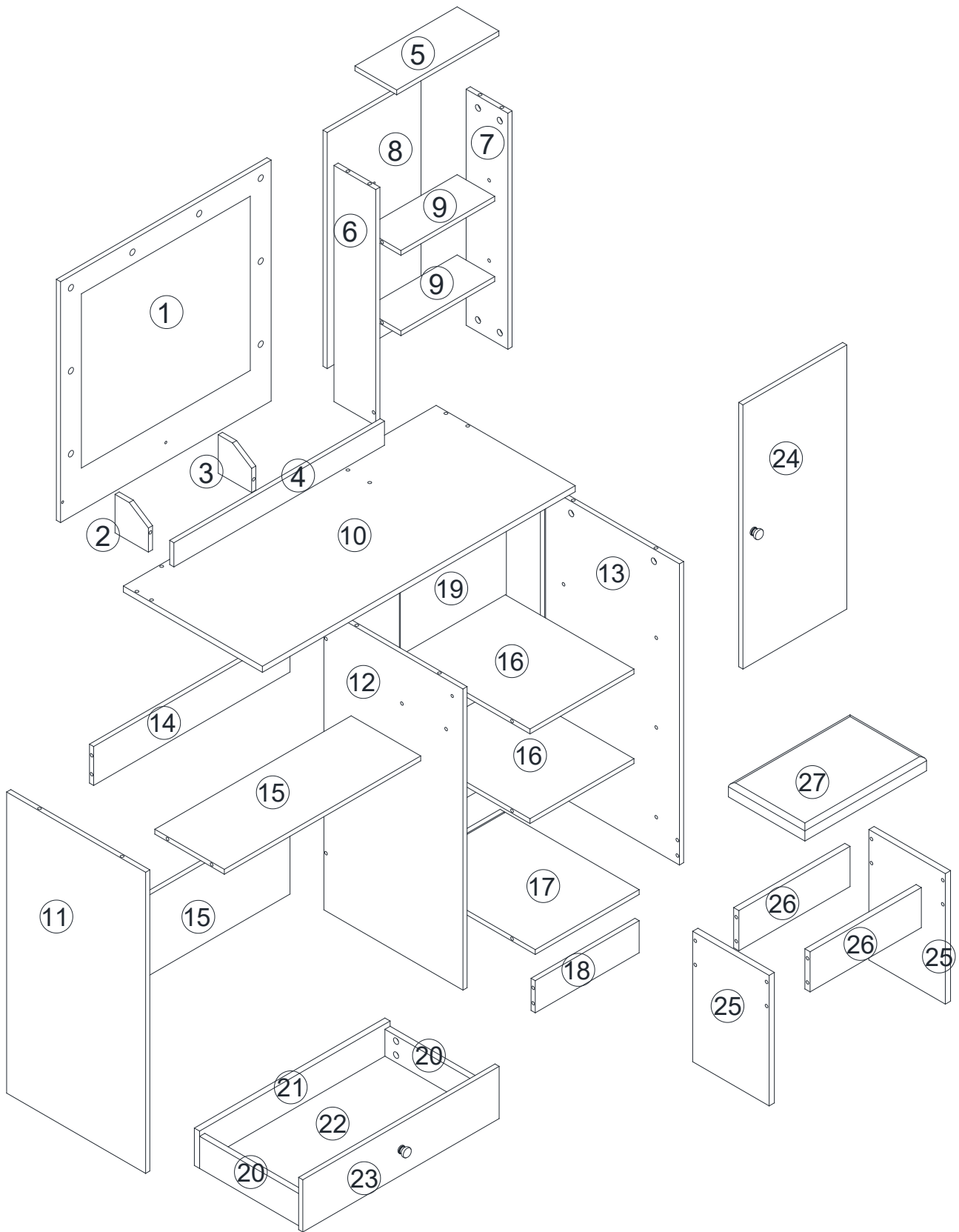


Lx2



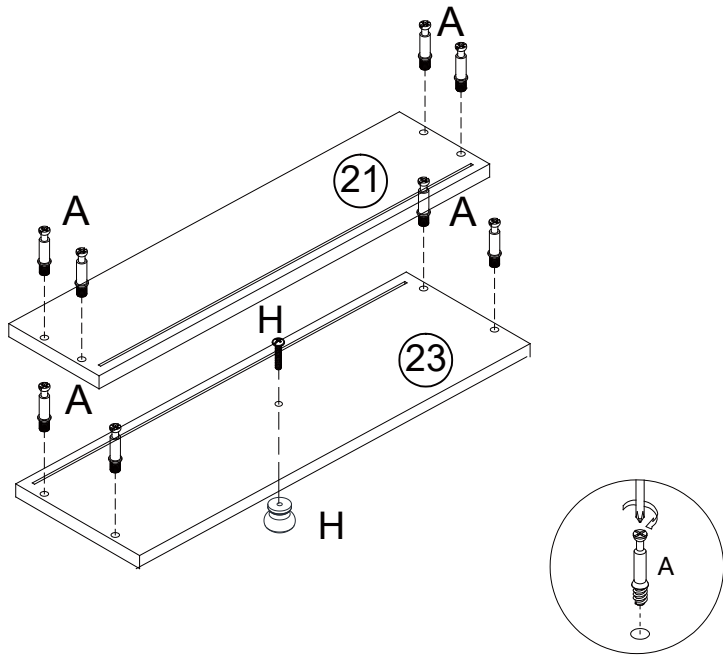
Mx1



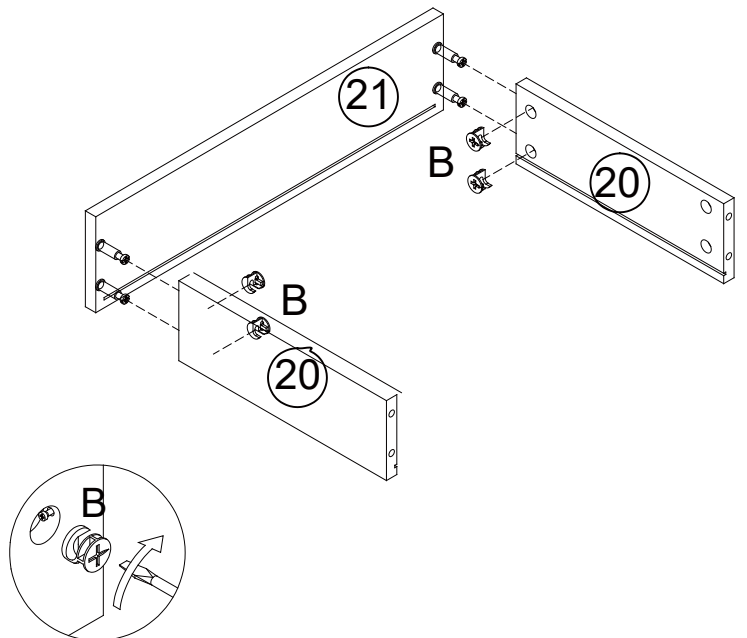


1 - xl	6 - xl	11 - xl	16 - x2	21 - xl	26 - x2
2 - xl	7 - xl	12 - xl	17 - xl	22 - xl	27 - xl
3 - xl	8 - xl	13 - xl	18 - xl	23 - xl	
4 - xl	9 - x2	14 - xl	19 - xl	24 - xl	
5 - xl	10 - xl	15 - x2	20 - x2	25 - x2	

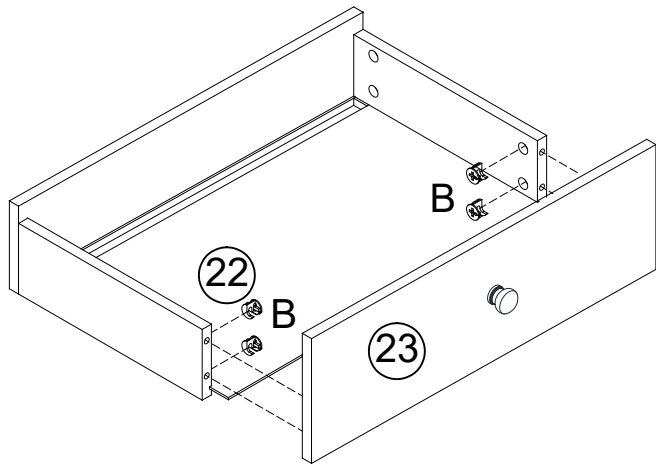
STEP 1



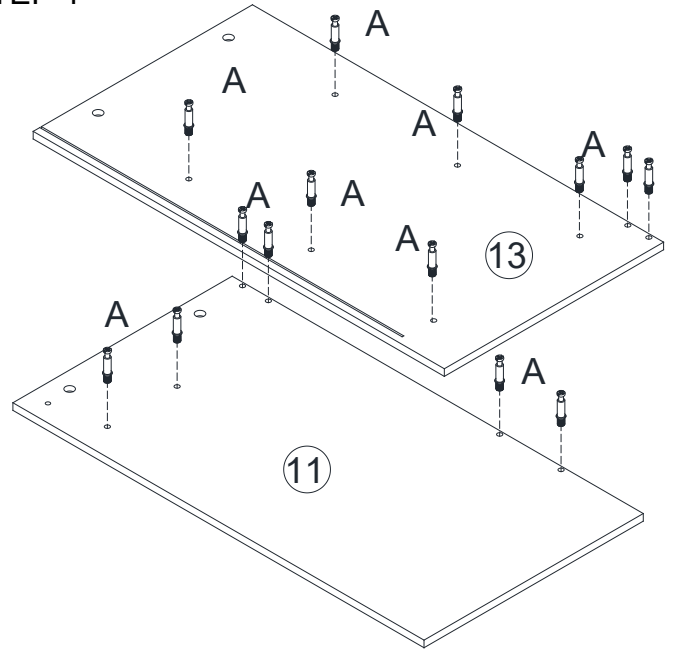
STEP 2



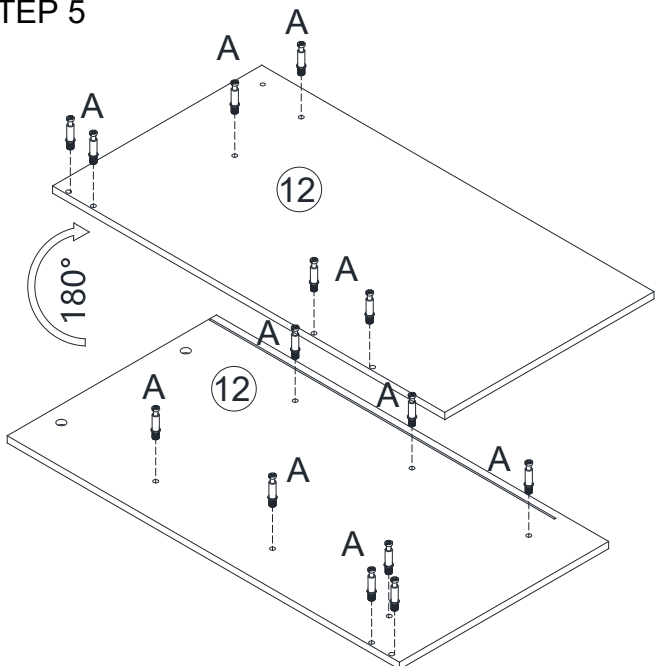
STEP 3



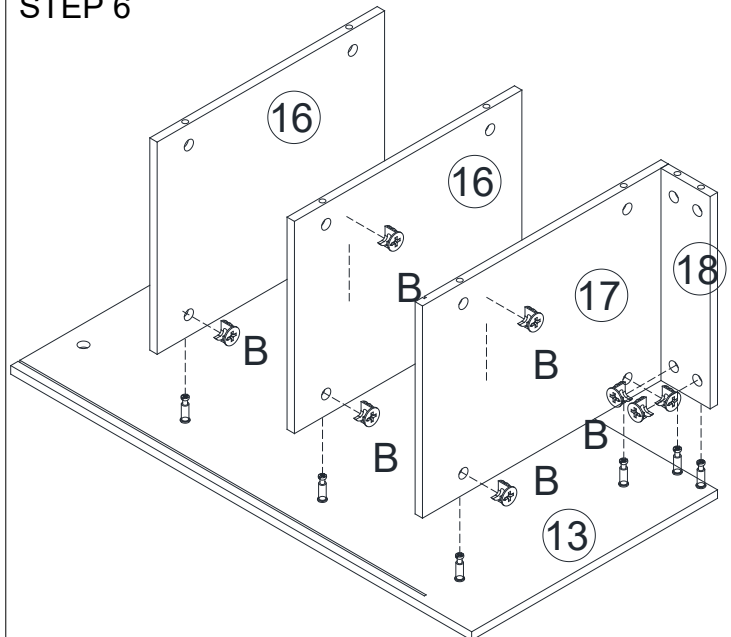
STEP 4



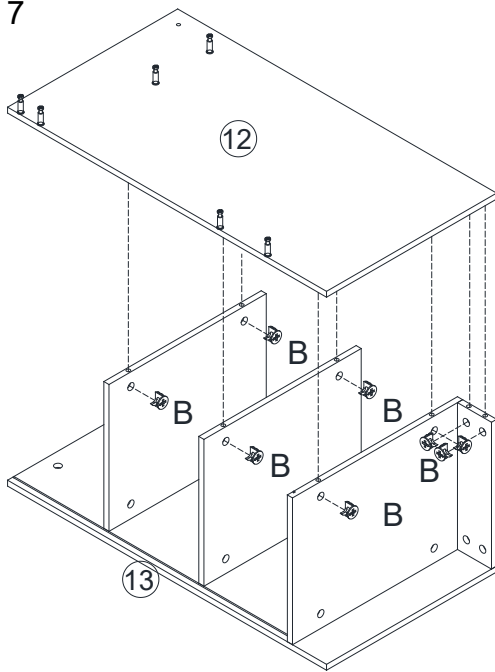
STEP 5



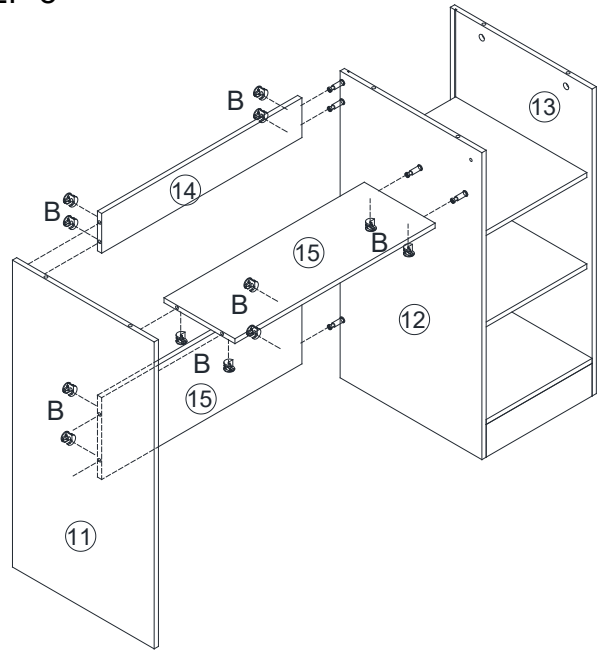
STEP 6



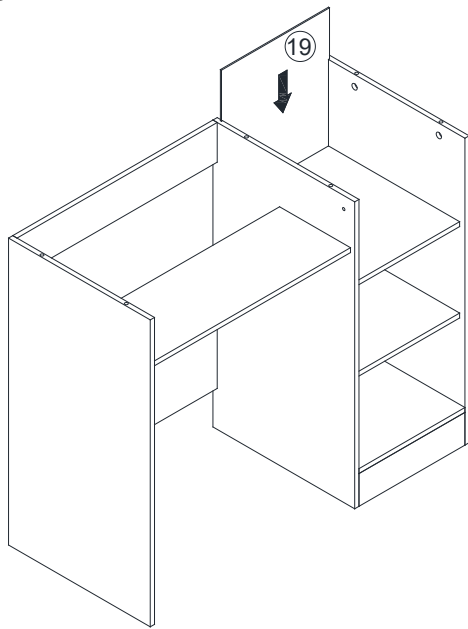
STEP 7



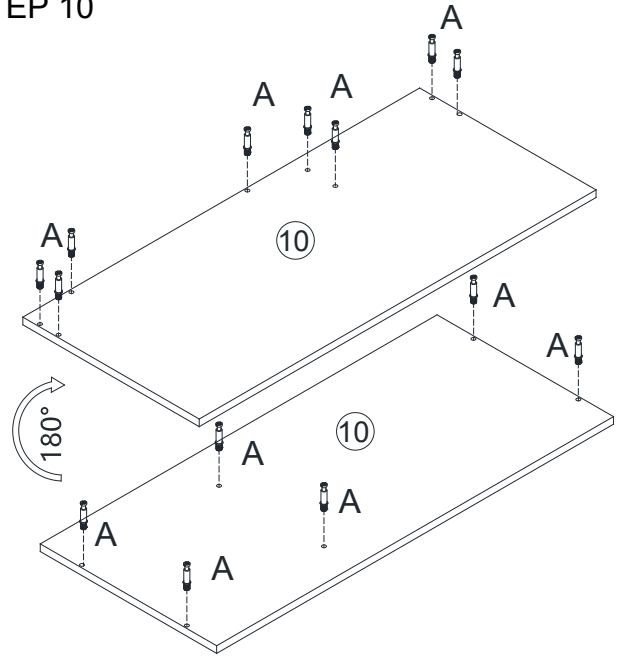
STEP 8



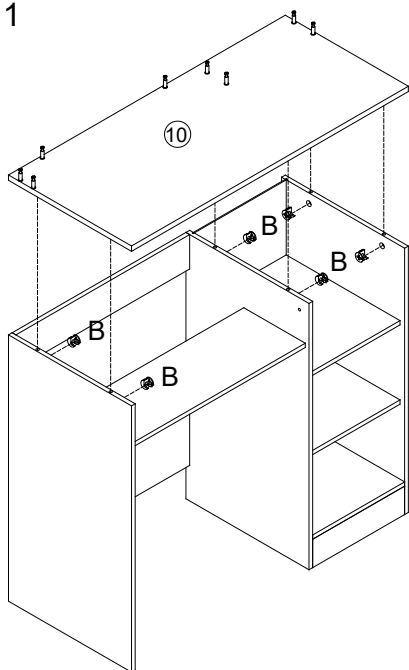
STEP 9



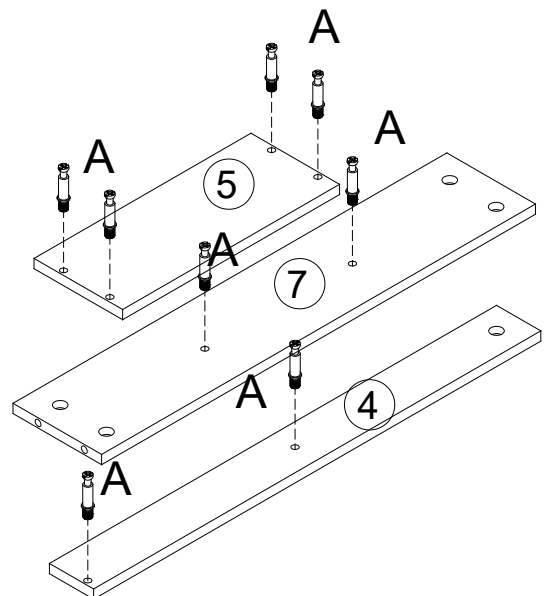
STEP 10



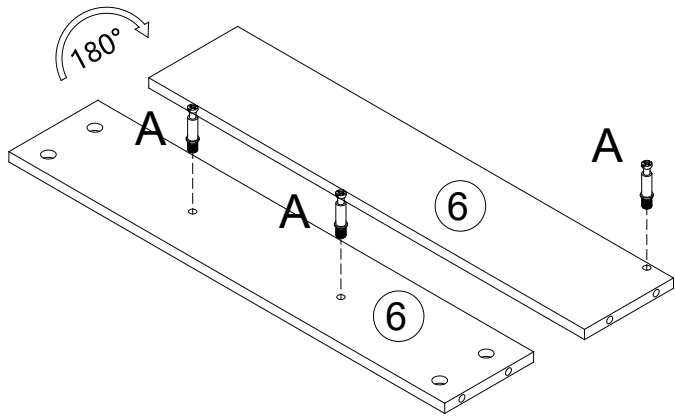
STEP 11



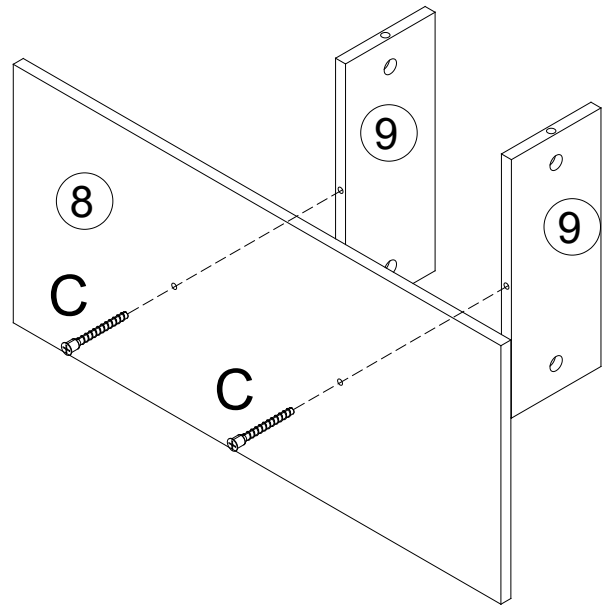
STEP 12



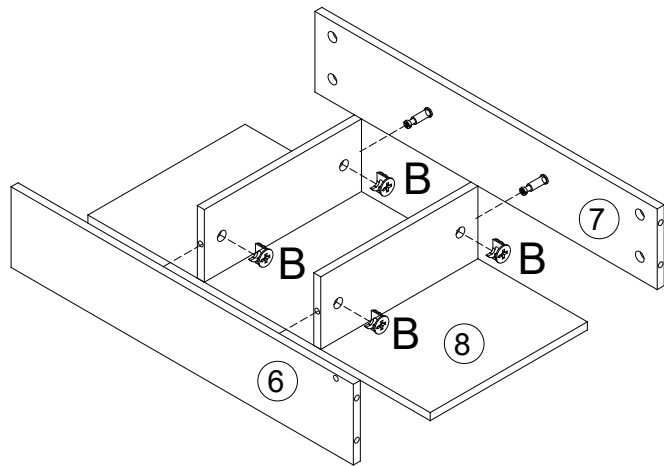
STEP 13



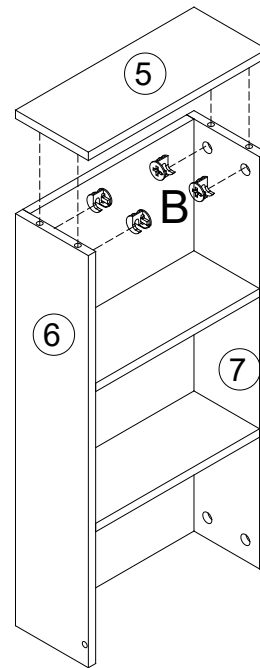
STEP 14



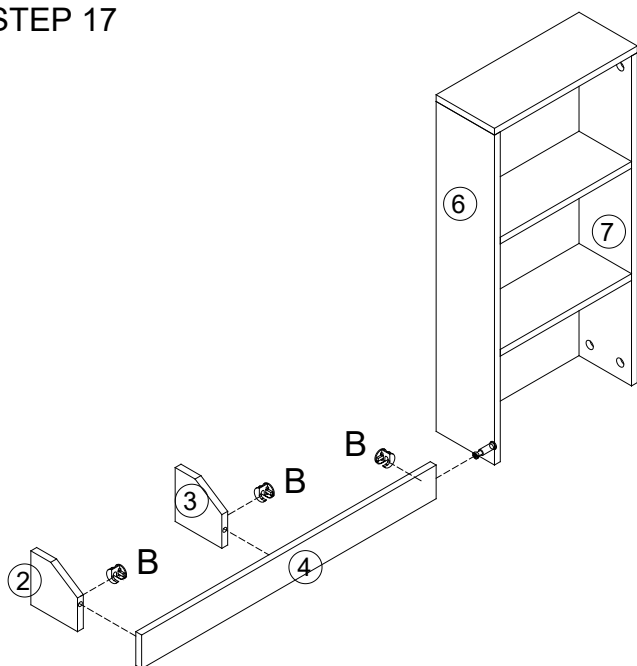
STEP 15



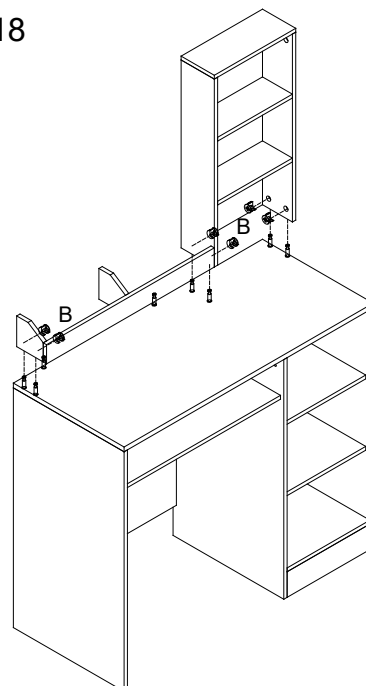
STEP 16



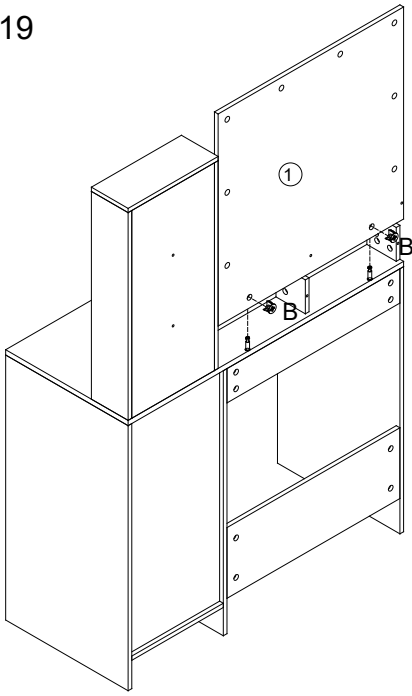
STEP 17



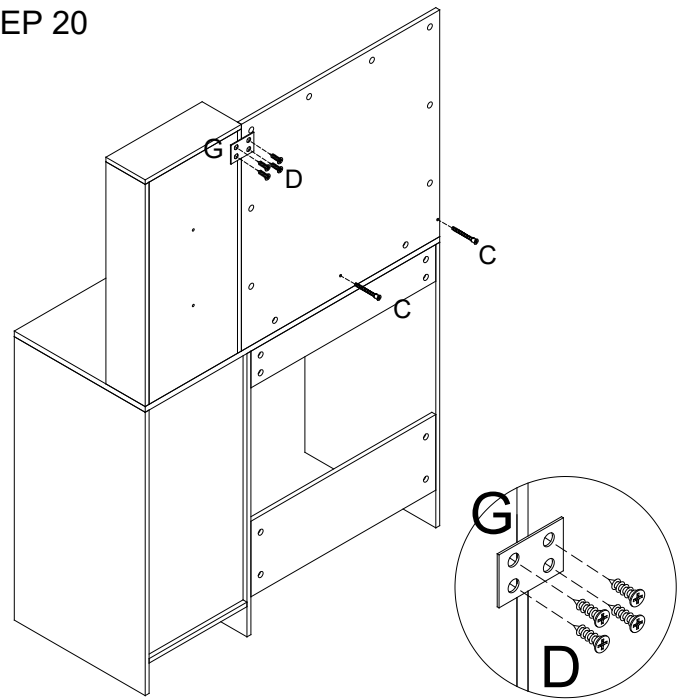
STEP 18



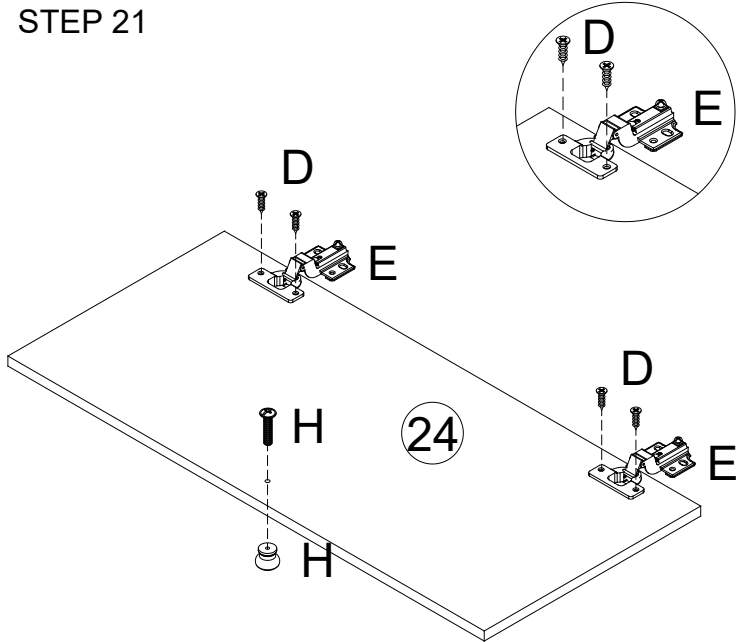
STEP 19



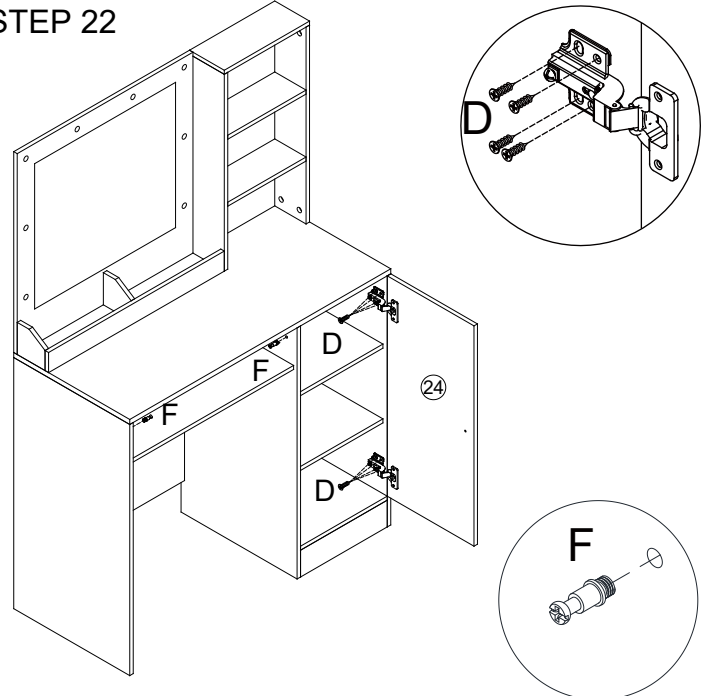
STEP 20



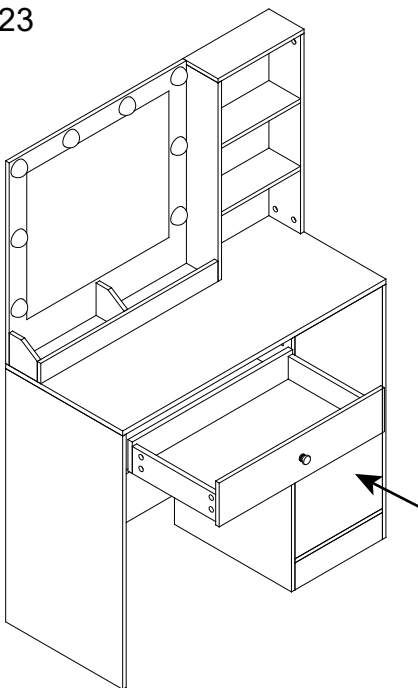
STEP 21



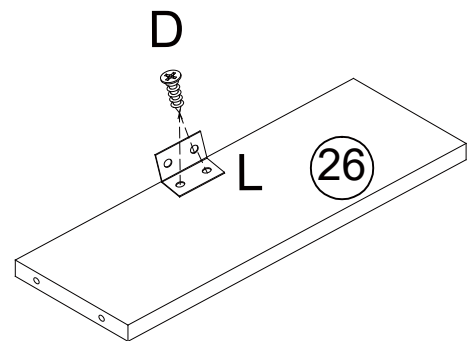
STEP 22



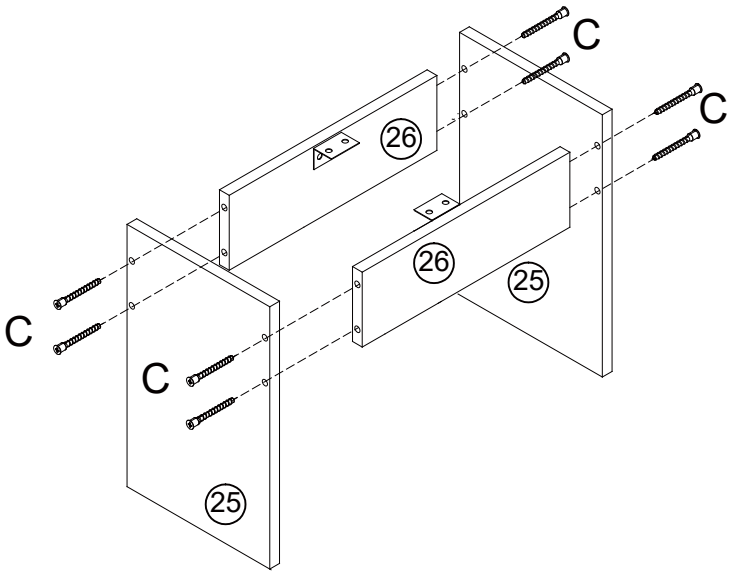
STEP 23



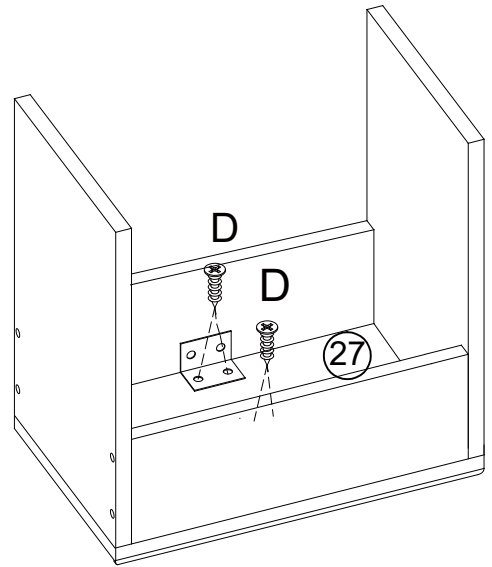
STEP 24



STEP 25



STEP 26



STEP 27

