






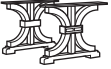

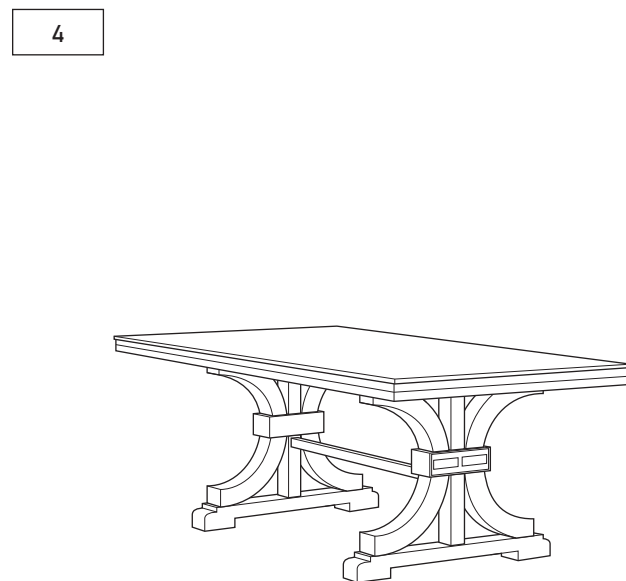
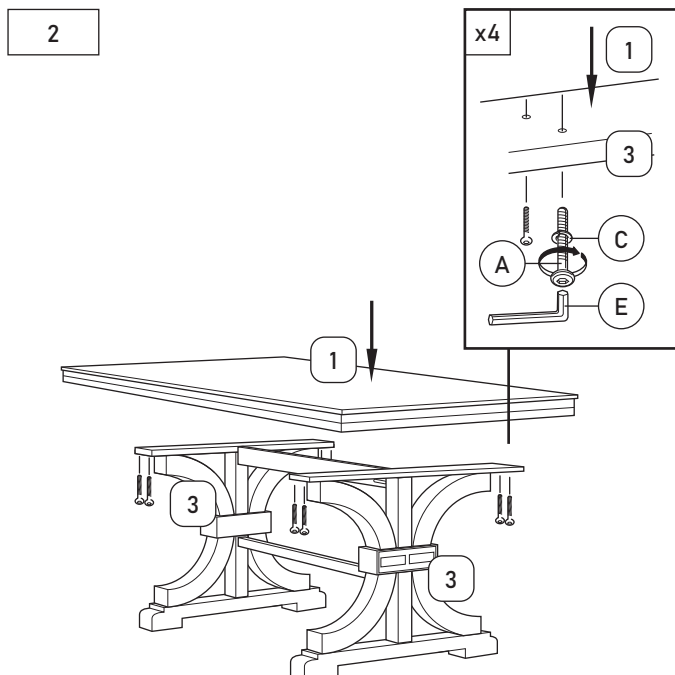
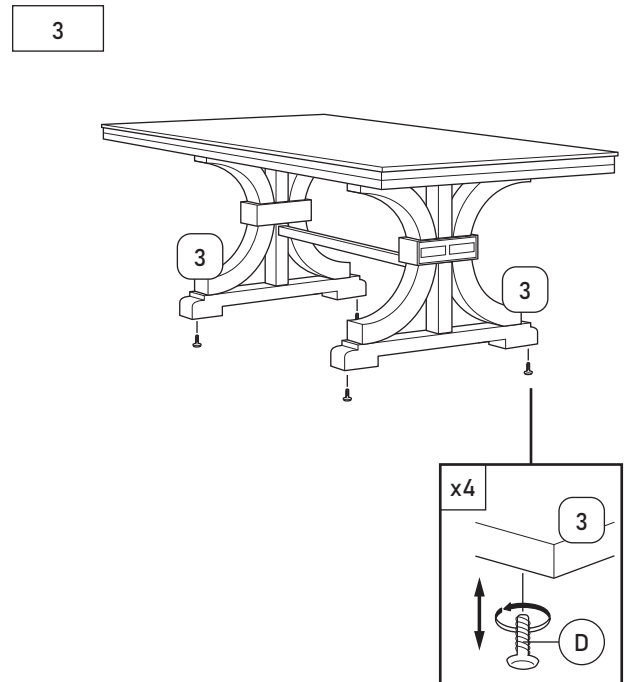
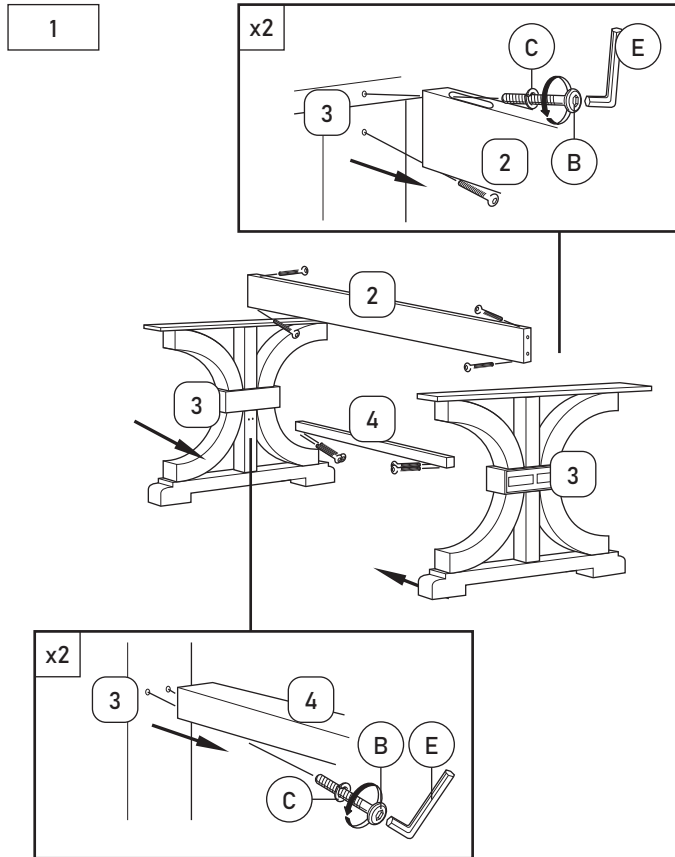


# ASSEMBLY INSTRUCTION

- Important note: - Place all wooden part on a clean and smooth surface such as rug or carpet to avoid the part from being scratch.  
 - Please follow the assembly instruction step by step.  
 - Do not tighten all screw until the table is fully set-up.

No	Hardware List	Qty.
A	JCBC M6 x 40mm 	8 pcs
B	JCBC M6 x 50mm 	8 pcs
C	M6 Spring Washer 	16 pcs
D	Adjustable 	4 pcs
E	Allen Key M4 	1 pc

No	Part List	Qty.
1	Table Top 	1 pc
2	Table Top Support 	1 pc
3	Table Stump 	2 pcs
4	Table Center Support 	1 pc



COMPLETED ASSEMBLY