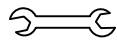
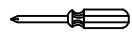


Installation instruction

Model :HBL7025 E12*35PCS TYPE B MAX40W



Wrench



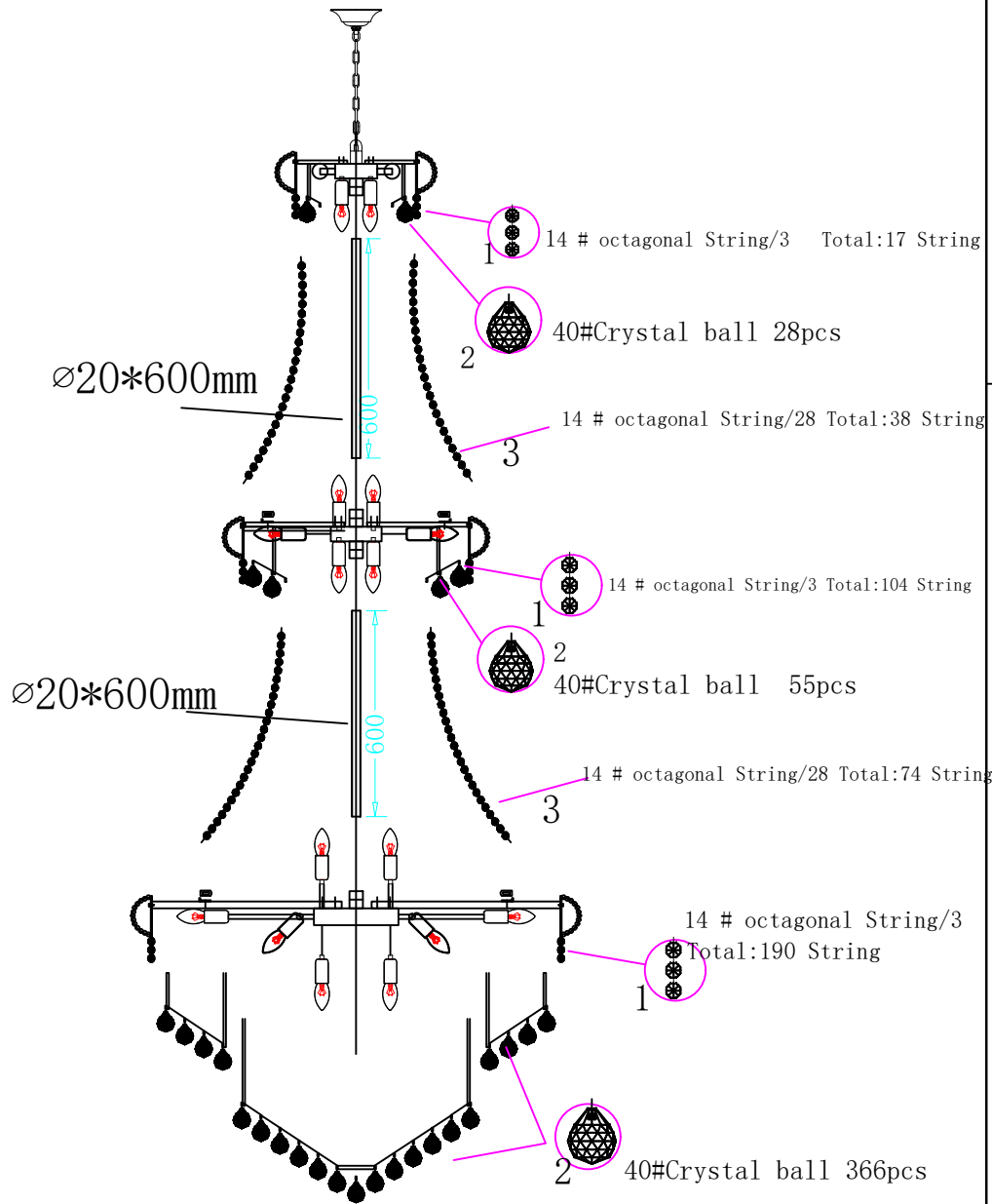
Bolt driver



Terminal



Screw

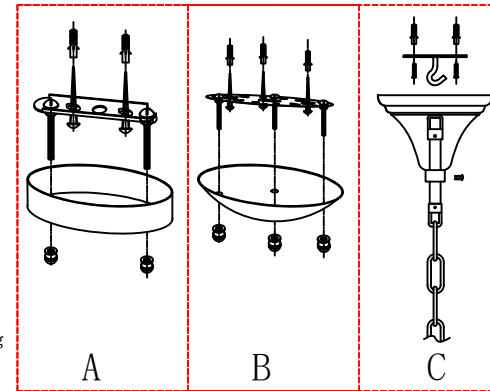


Bead instruction

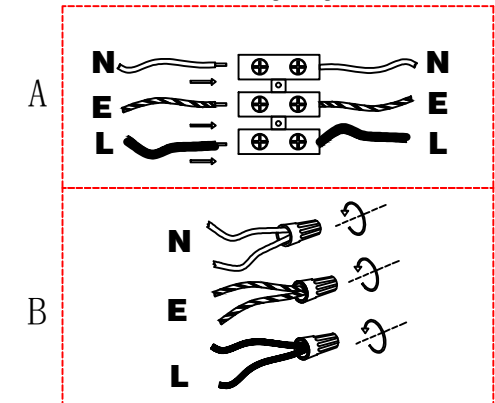
Model:HBL7025

1	14 # octagonal String/3	311 String
2	40# Crystal ball	449pcs
3	14# octagonal String/28	112 String
Crystal are included with Spare parts		

Ceiling installation diagram



Wiring diagram



Installation steps

1. Lock the padlock on the Ceiling and hang the Ordinance and chain sleeve on the padlock. On board. Safety wire rope lock on cement ceiling hook.
2. Check that the power cord is intact and intact. Connect according to the label. L positive polar \oplus line N negative pole;
3. Lock the lamp arm on the oblique basin and install the lamp shade and light source.
4. Hang the lamp body on the suspension chain and install the light source and bottom in the back basin. The dolomite cover. Lock the wire with a tie.
5. Adjust the lamp body and test the electricity.