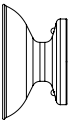




SPS-0738 REV A

# KAO WALL MOUNT LIGHT

JOB NAME: \_\_\_\_\_ FIXTURE TYPE: \_\_\_\_\_



BLE - W - RKAO - \_\_\_\_\_  
**A**

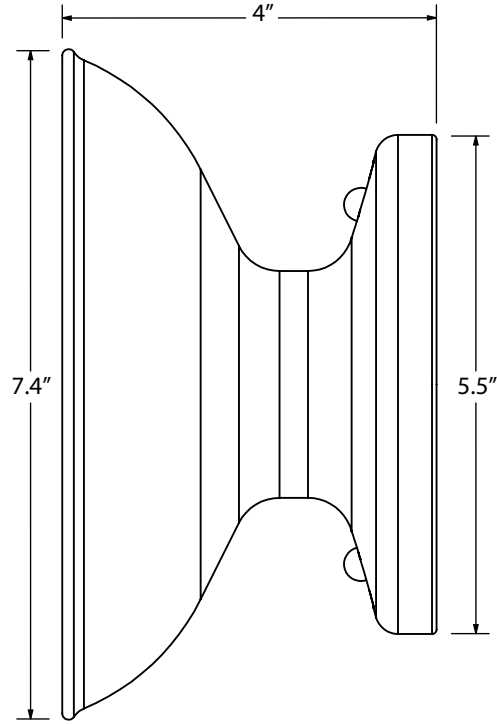
Order Example: BLE - W - RKAO - 400

## A - FINISHES

### POWDER COAT FINISHES:

- 100 Black
- 105 Textured Black
- 106 Matte Black
- 200 White
- 206 Matte White
- 300 Dark Green
- 307 Emerald Green
- 311 Jade
- 370 Mint
- 380 Chartreuse
- 390 Teal
- 400 Barn Red
- 420 Orange
- 470 Watermelon
- 480 Blush Pink
- 490 Magenta
- 495 Sherbet Orange
- 500 Buttery Yellow
- 570 Sunflower
- 600 Bronze
- 601 Chocolate
- 605 Rust
- 615 Oil-Rubbed Bronze
- 700 Royal Blue
- 705 Navy
- 710 Cobalt Blue
- 715 Delphite Blue
- 790 Lavender
- 800 Industrial Grey
- 805 Charcoal Granite
- 810 Graphite

## MOUNTING DIMENSIONS



### IMPORTANT:

## SPECIFICATIONS

### CERTIFICATIONS, LISTINGS & WARRANTY

MADE IN THE USA  
 Manufactured and Hand-Crafted in Our 60,000 Square Foot Facility  
 Located in Titusville, FL

CSA LISTED FOR DAMP LOCATIONS

LIMITED WARRANTY  
 For Additional Information on Our Limited Warranty, Please See  
 Our Terms & Conditions

### LIGHT SOURCE

INCANDESCENT  
 Medium Base E26 Socket, 60W Max, 120 VAC

### CONSTRUCTION & FINISH

MATERIAL  
 Made from Durable Porcelain Ceramic

POWDER COAT FINISHES  
 Polyester Powder Coat Finishes are Electro-Statically Applied and  
 Thermocured