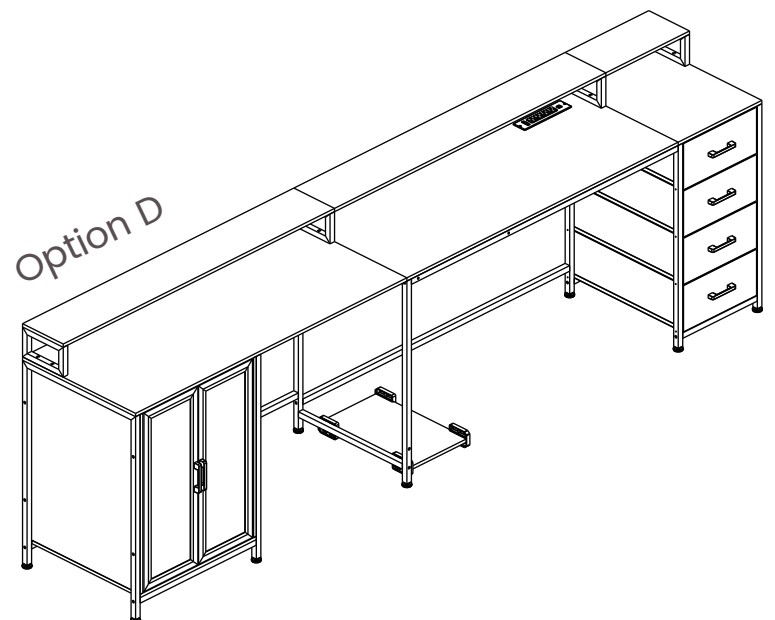
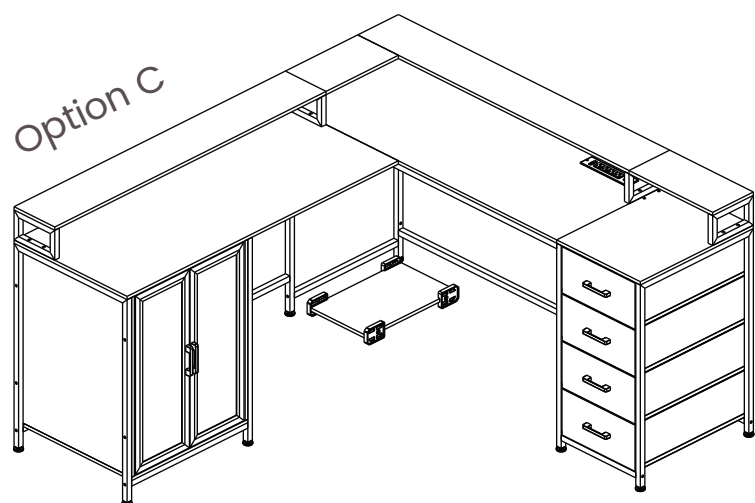
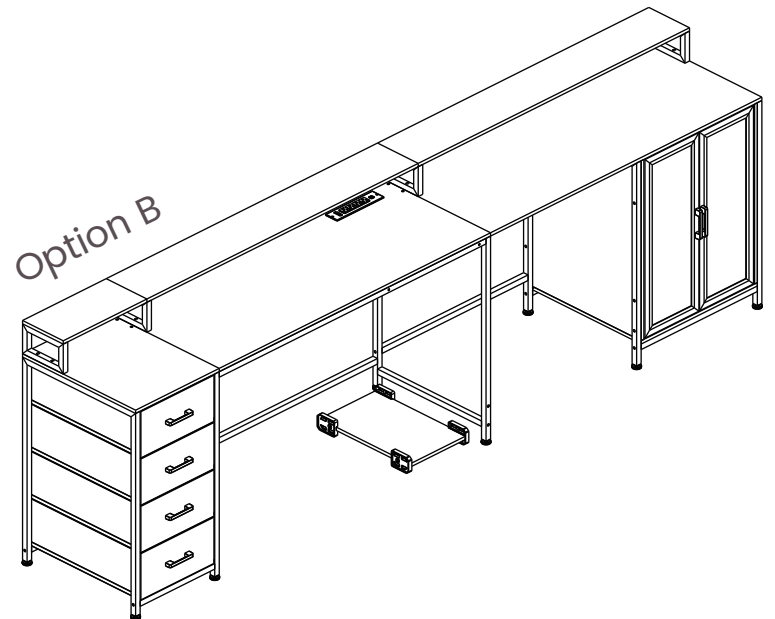
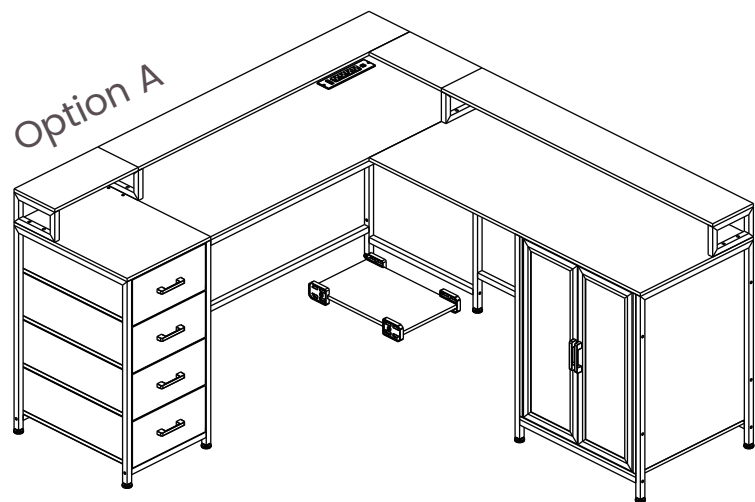


Computer Desk

User Manual



 Please read this instruction manual carefully before using the product

Work Uniquely Play Unbound

Installation takes  x 2~4hour

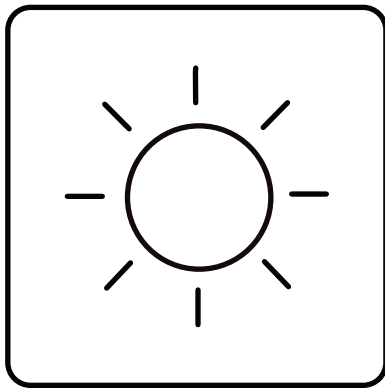
Package Contents

Plates and
iron components

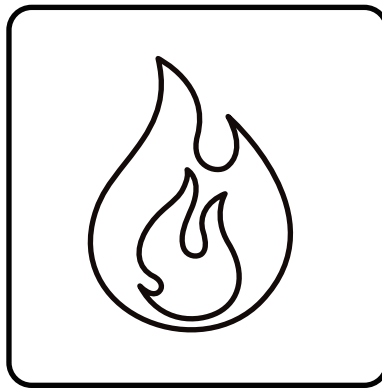
Assembly tool kit

Instruction manual

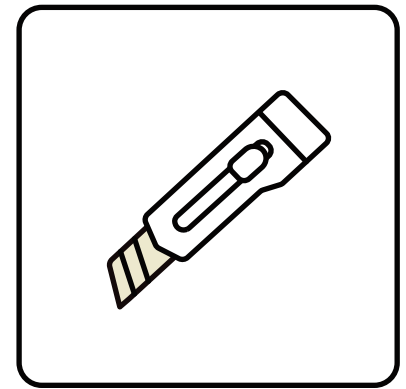
⚠ Precautions



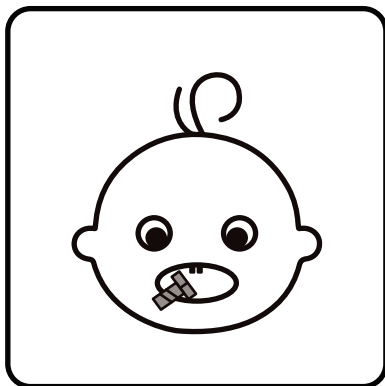
1. Avoid extended periods of direct sunlight exposure.



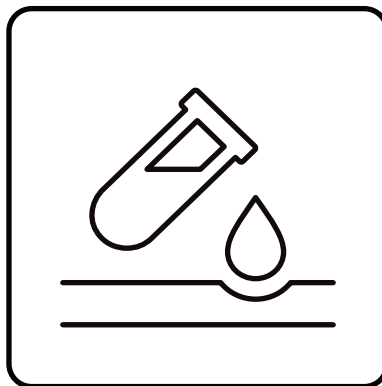
2. Stay away from fire.



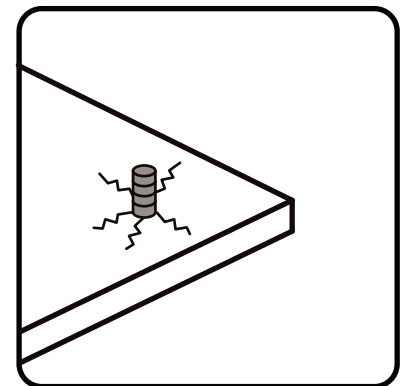
3. Keep away from sharp objects.



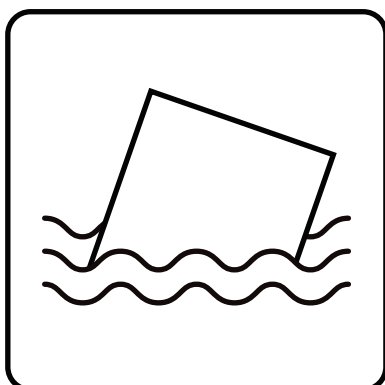
4. Keep infants and children away from assembly parts to avoid choking and suffocation.



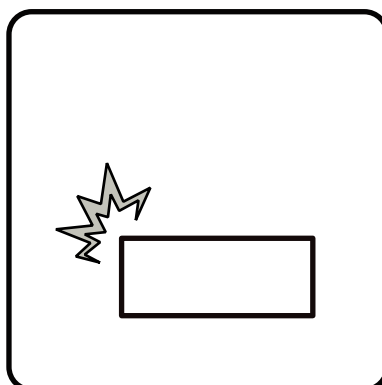
5. Keep away from corrosive substances.



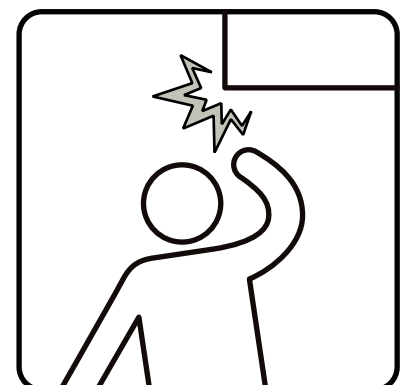
6. Pay attention to avoid over-tightening fasteners, as they may cause cracking within the board.



7. Prevent objects from being damaged by immersion in water.



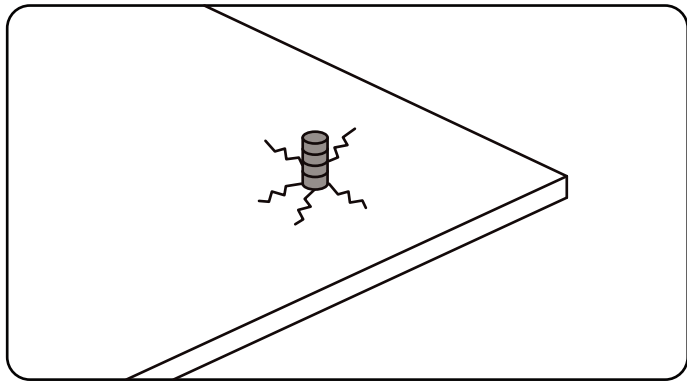
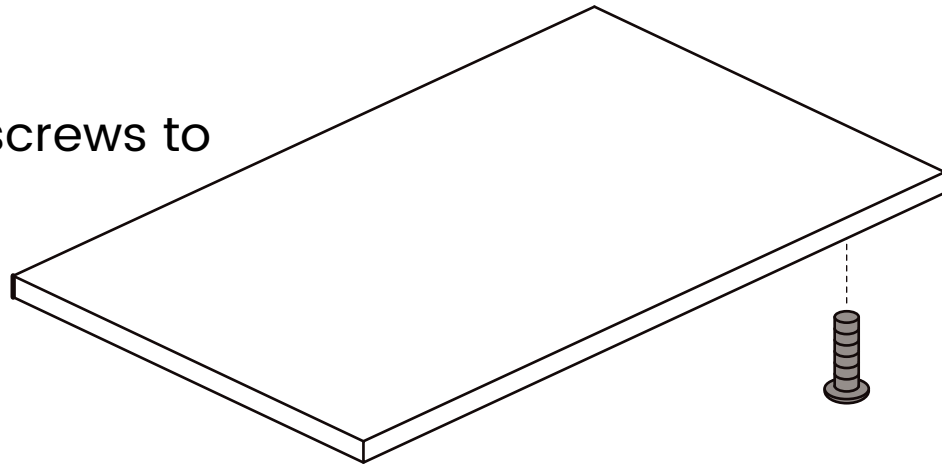
8. Prevent object collision and damage.



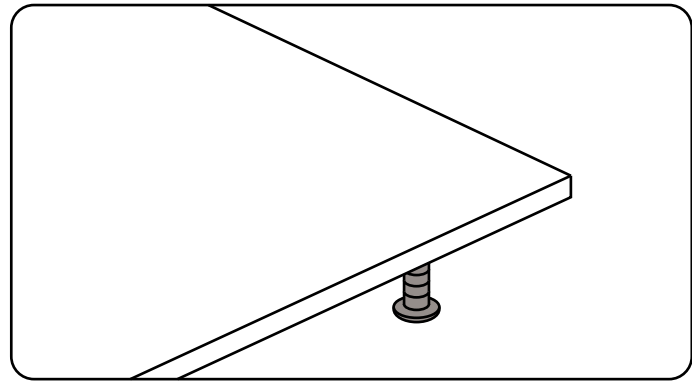
9. Be careful to avoid collisions.

⚠ Installation of Cams and Pins

Be sure to use the proper screws to avoid damaging the parts



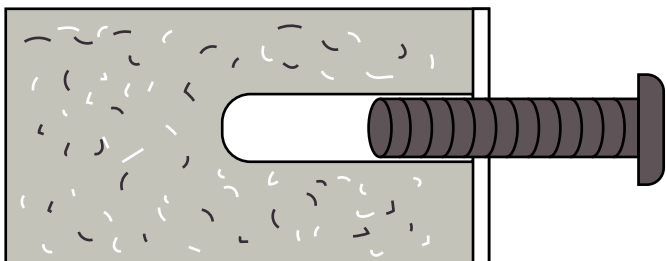
Wrong screws can cause the plank to crack



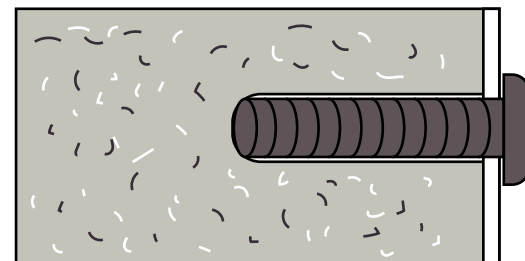
The right screw is the right size

⚠ Matters needing attention

1. When installing the screws in the installation step, the screws do not need to be tightened.

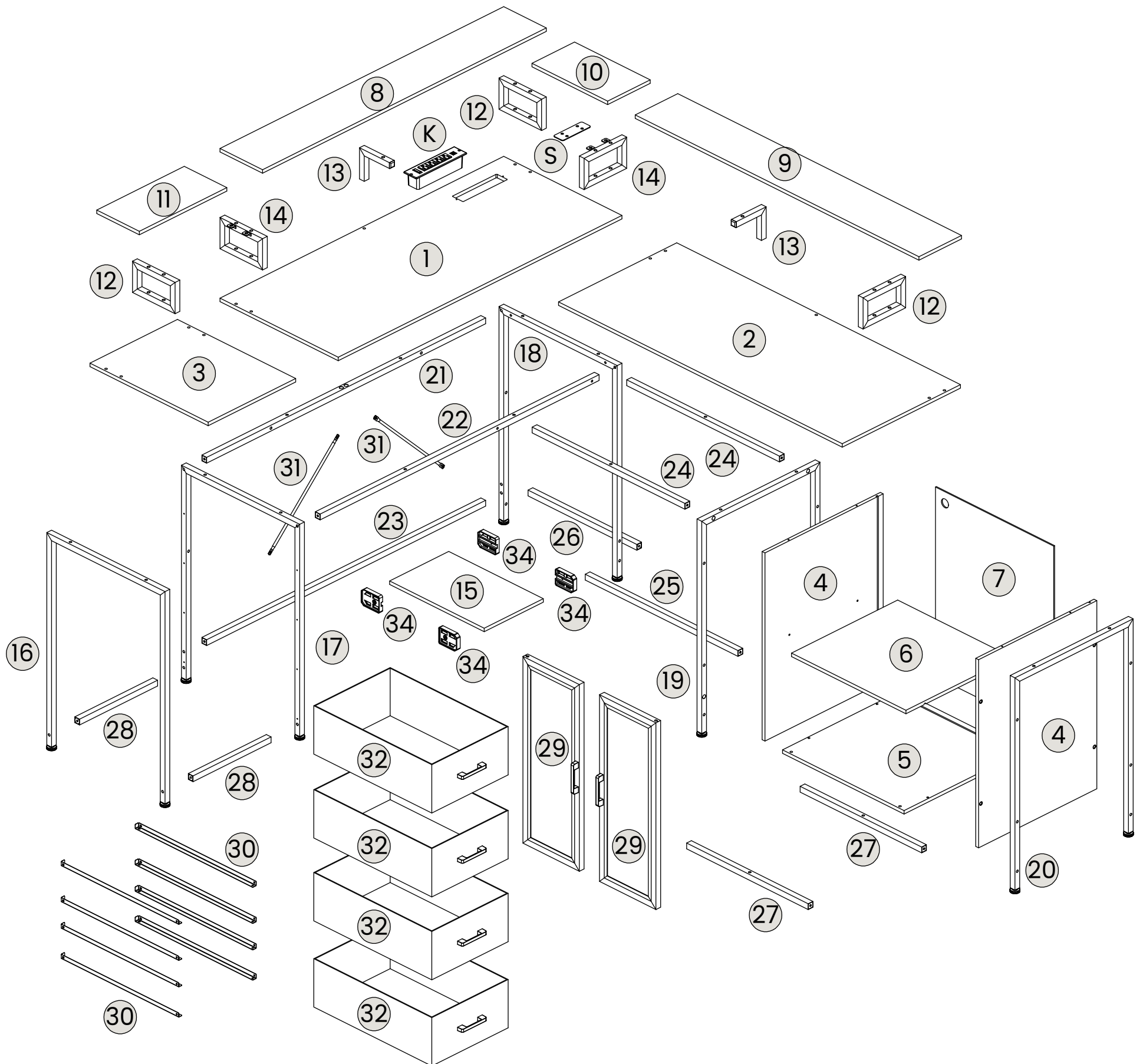


2. After this installation step is confirmed and the holes are aligned, then tighten all the screws.



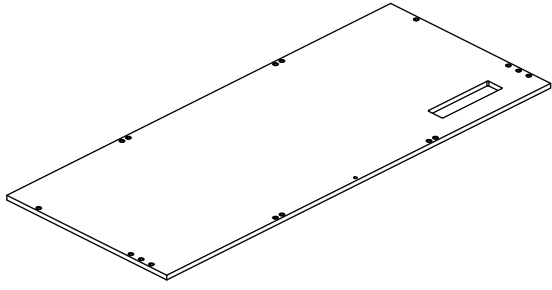
3. If the screws are tightened during the installation process, it will cause problems such as misalignment of the screw holes and misalignment of the board in subsequent installations

Disassembly Diagram

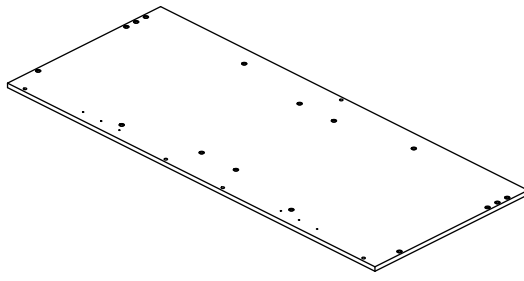


Package Contents

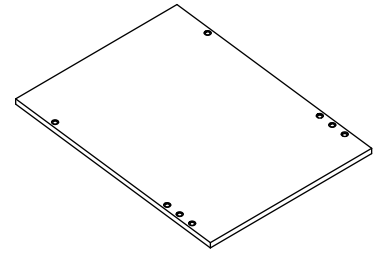
01



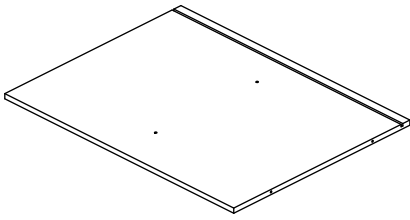
02



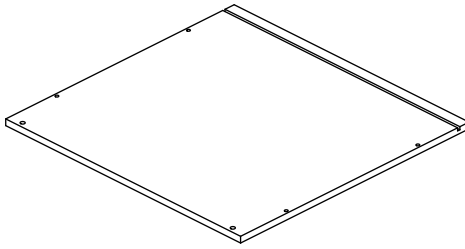
03



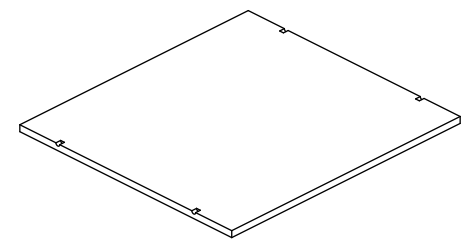
04 x2



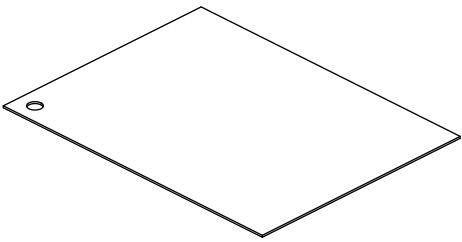
05



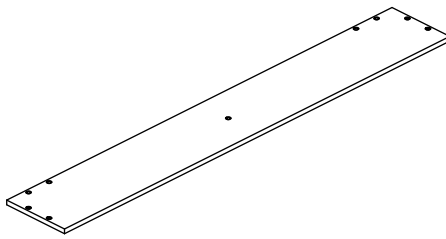
06



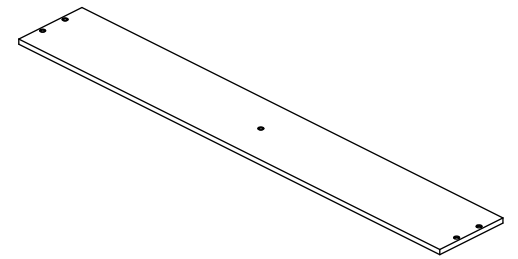
07



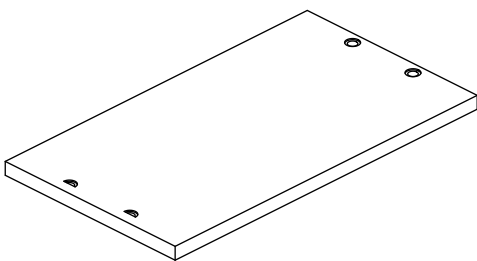
08



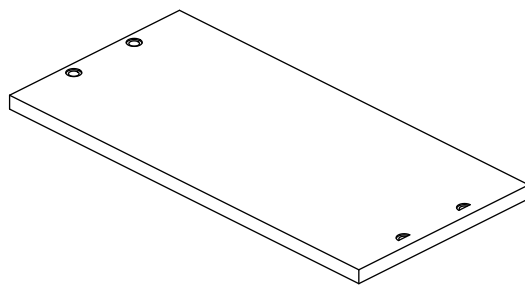
09



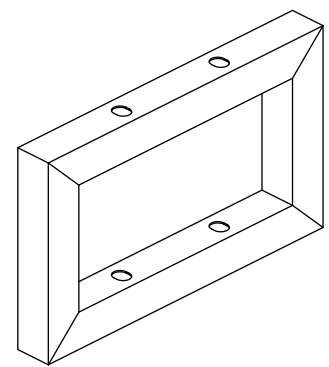
10



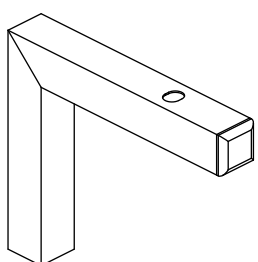
11



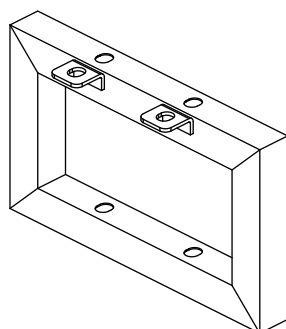
12 x3



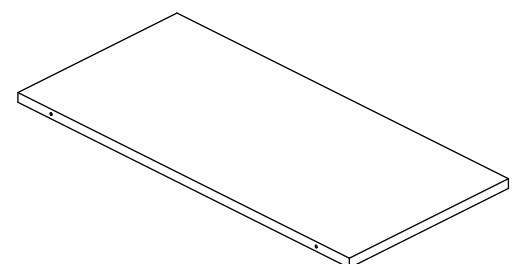
13 x2



14 x2

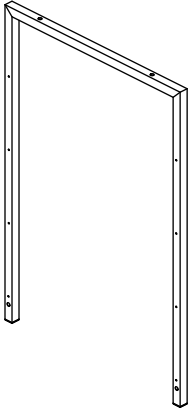


15

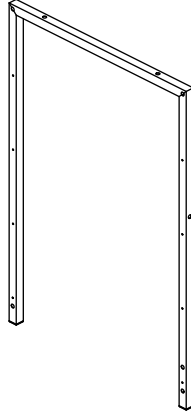


Package Contents

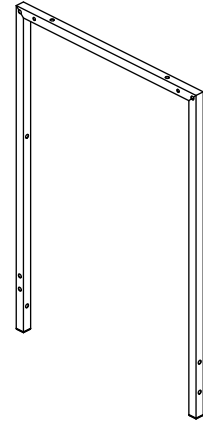
16



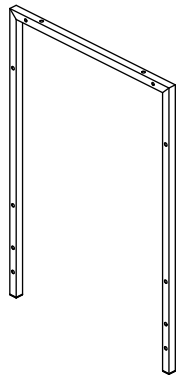
17



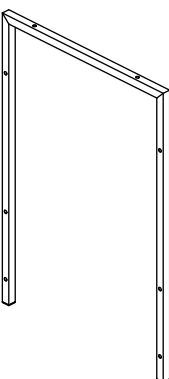
18



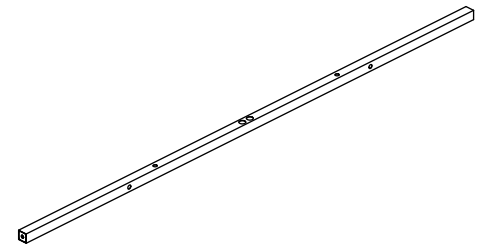
19



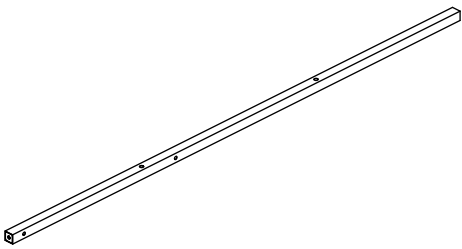
20



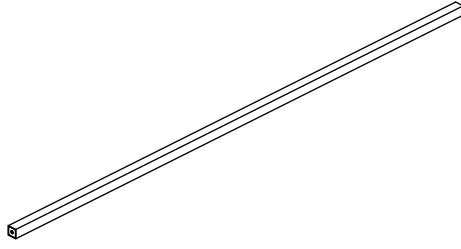
21



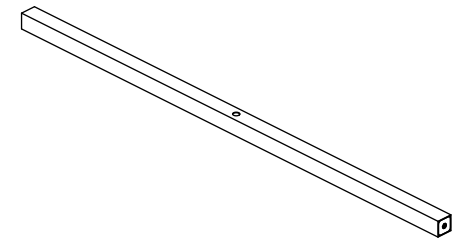
22



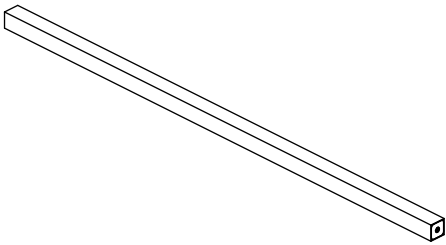
23



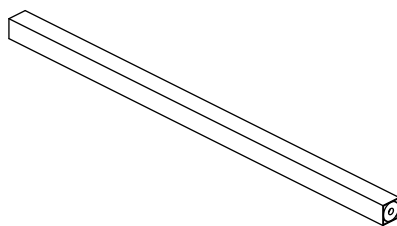
24 x2



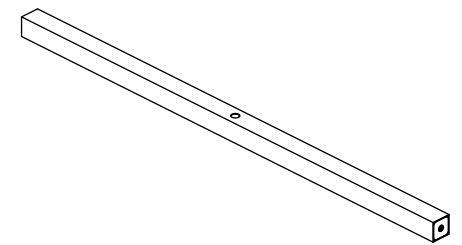
25



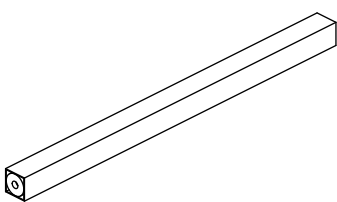
26



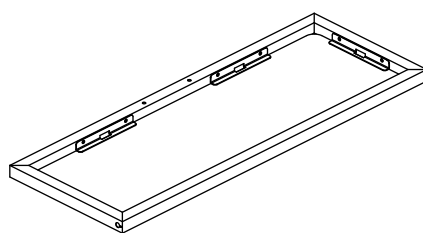
27 x2



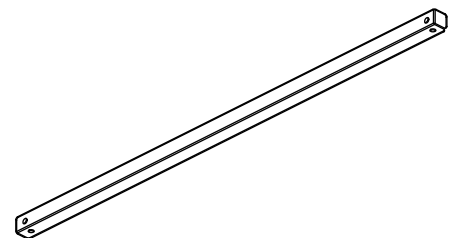
28 x2



29 x2

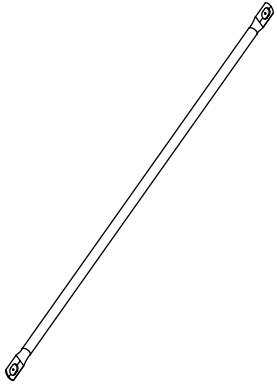


30 x8

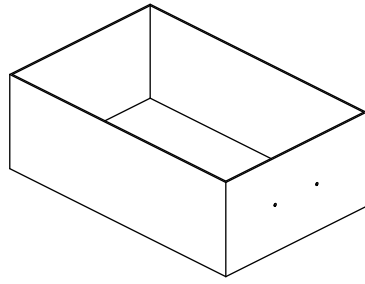


Package Contents

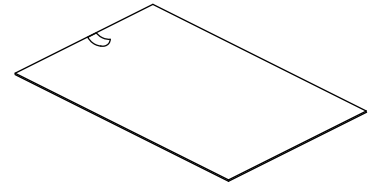
31 x2



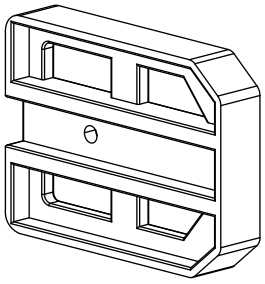
32 x4



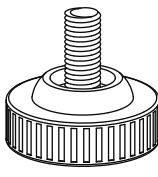
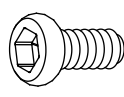
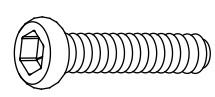
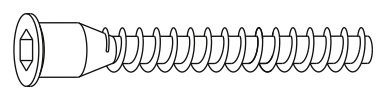
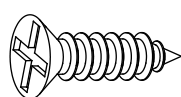
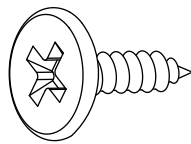
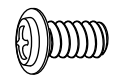
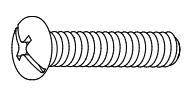
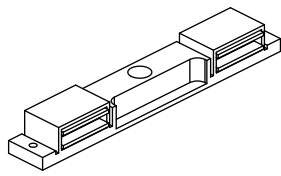

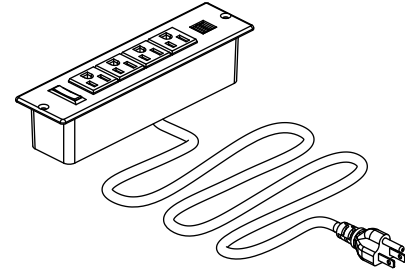
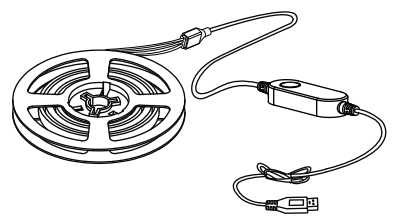
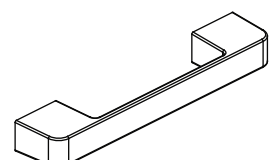
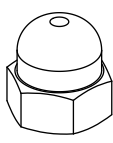
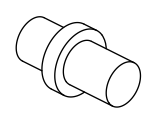
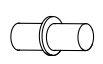
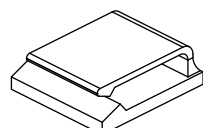
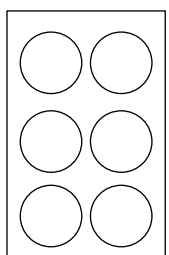
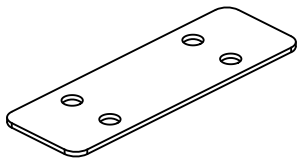
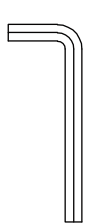
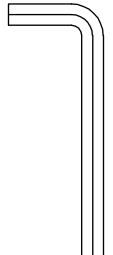
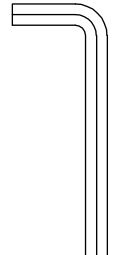
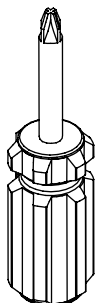
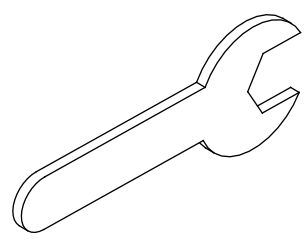
33 x4



34 x4



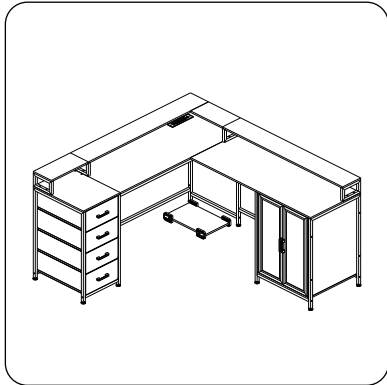
Tool sheet

<p>A x10+2</p>  <p>M6</p>	<p>B x8+1</p>  <p>M6x10MM</p>	<p>C x76+6</p>  <p>M6x28MM</p>	<p>D x4+1</p>  <p>ST5x40MM</p>
<p>E x5+1</p>  <p>ST4x14MM</p>	<p>F x16+3</p>  <p>ST4x10MM</p>	<p>G x8+1</p>  <p>M4x6MM</p>	<p>H x4+1</p>  <p>M4x25MM</p>
<p>I x1</p> 	<p>J x4+1</p>  <p>ST4x25MM</p>	<p>K x1</p> 	<p>L x1</p> 
<p>M x6</p> 	<p>N x4+1</p>  <p>M6</p>	<p>O x4</p>  <p>φ8X21MM</p>	<p>P x4+1</p>  <p>φ5X15MM</p>
<p>Q x15</p> 	<p>R x1</p> 	<p>S x1</p> 	   <p>3# 4# 4#</p>
			

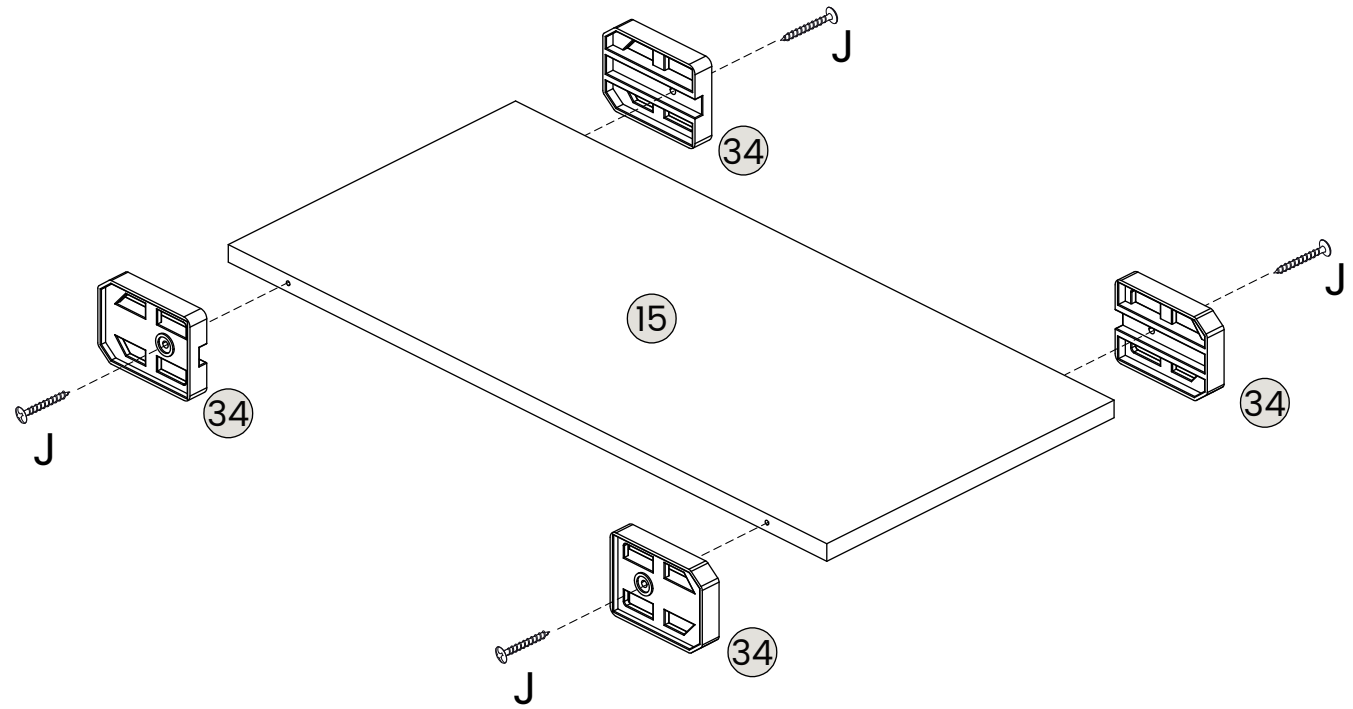
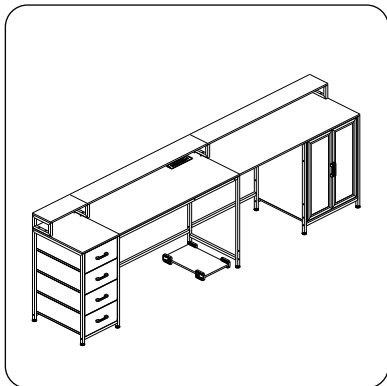
Assembly Instruction

1

Option A:



Option B:

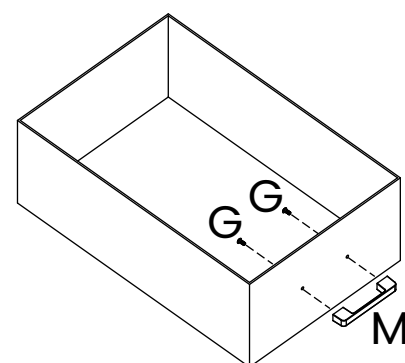
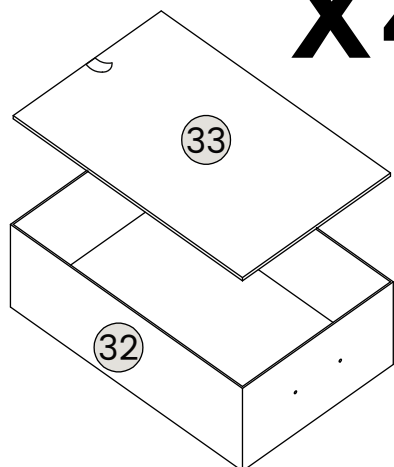
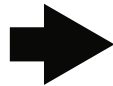
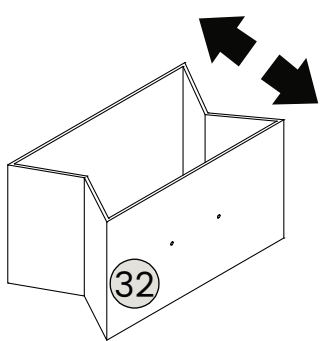


J x4



ST4X25MM

2

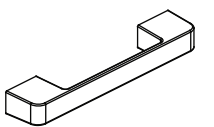


Gx8



M4X6MM

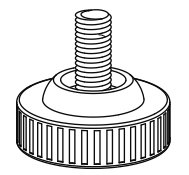
Mx4



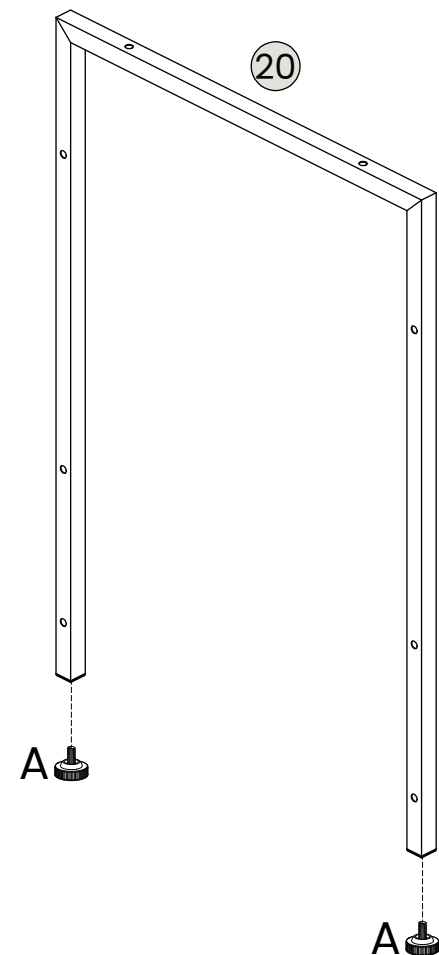
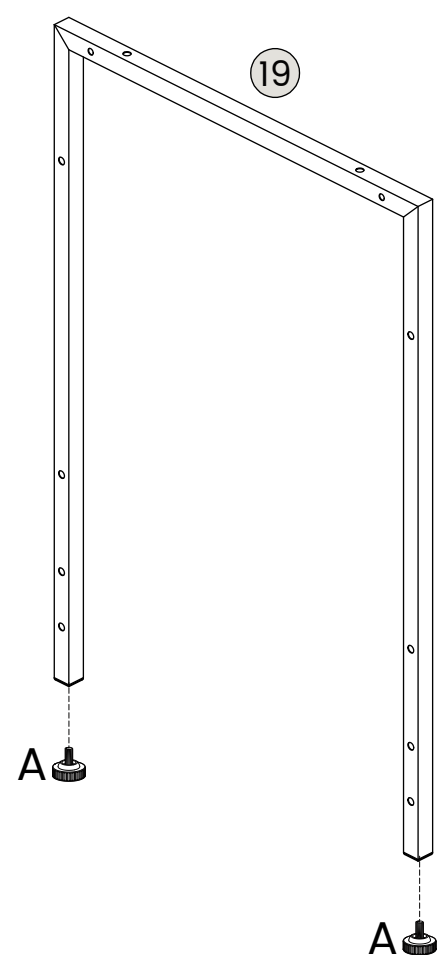
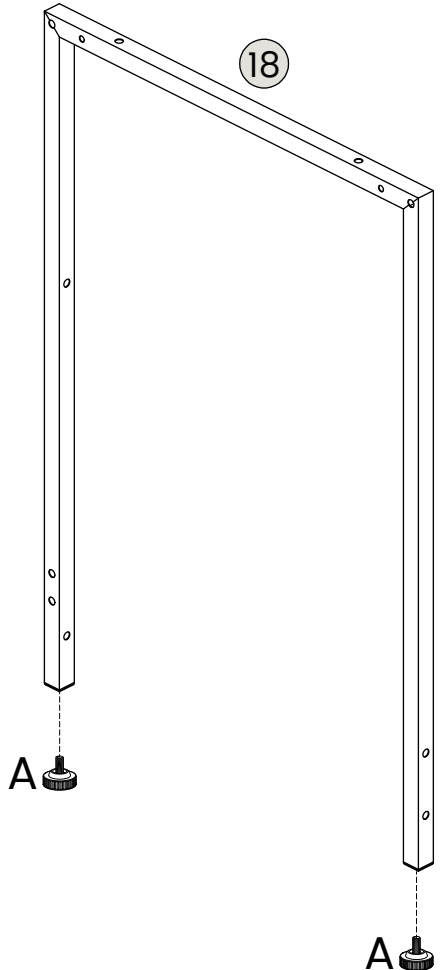
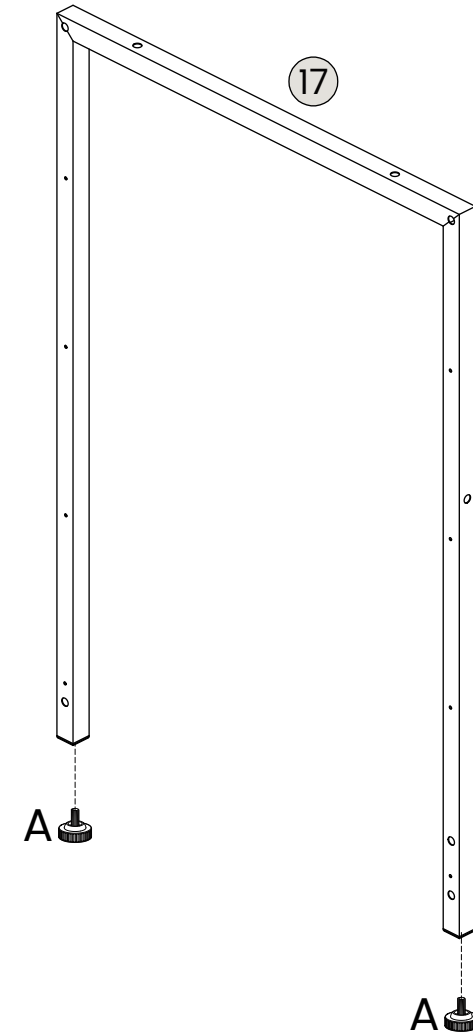
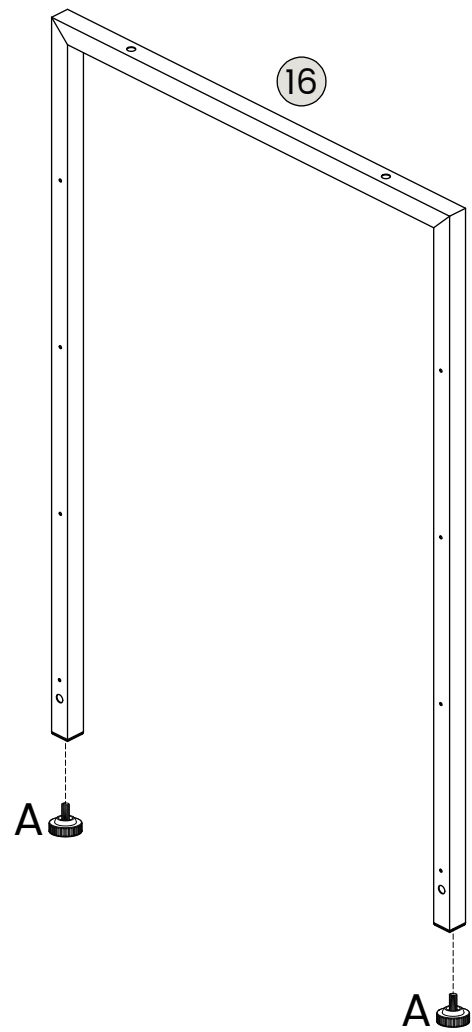
Assembly Instruction

3

Ax10

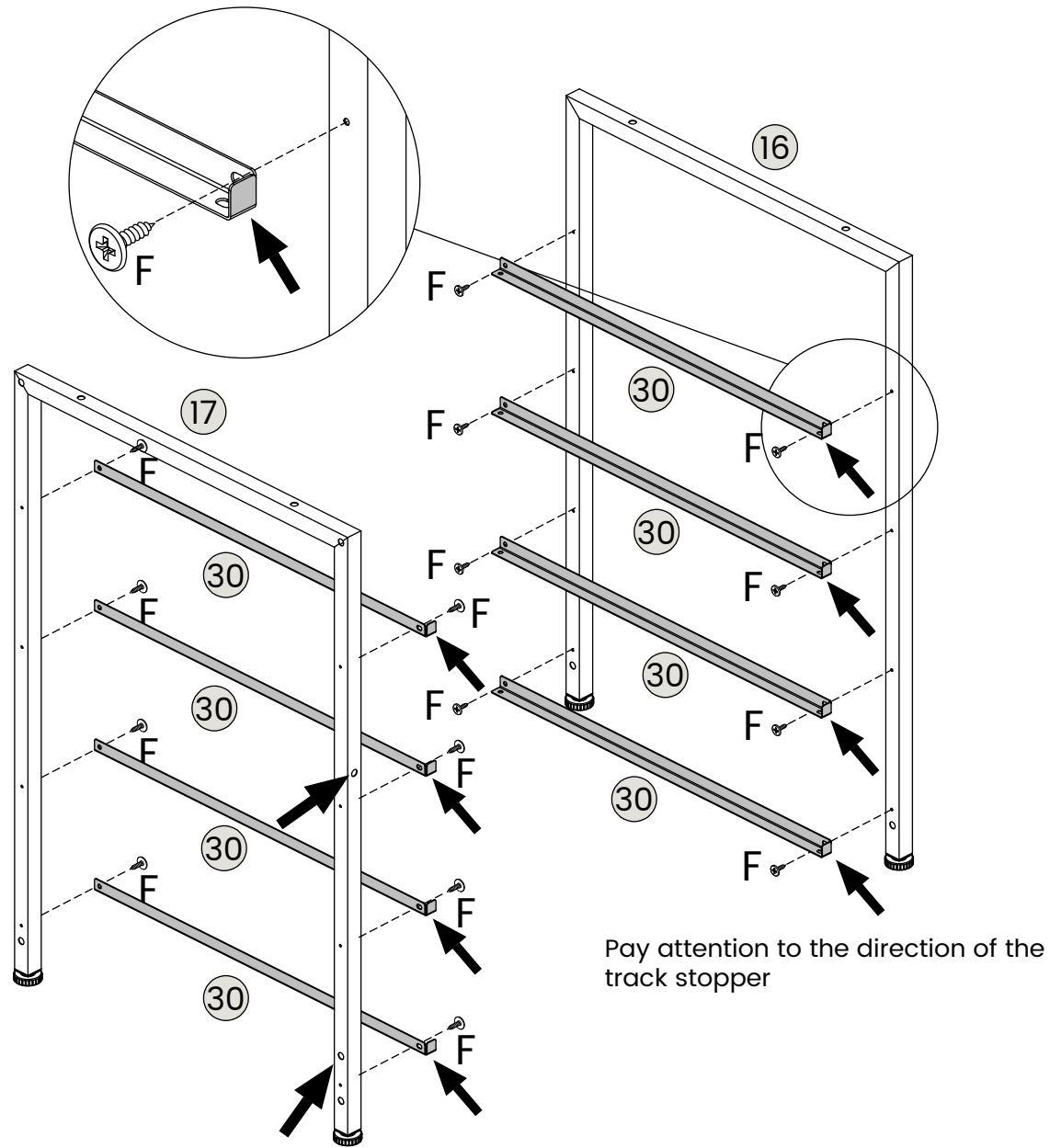


M6

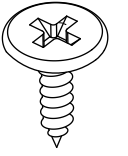


Assembly Instruction

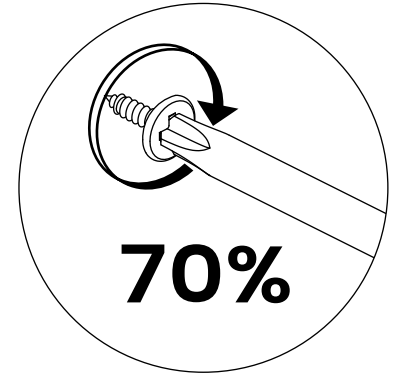
4



F x16



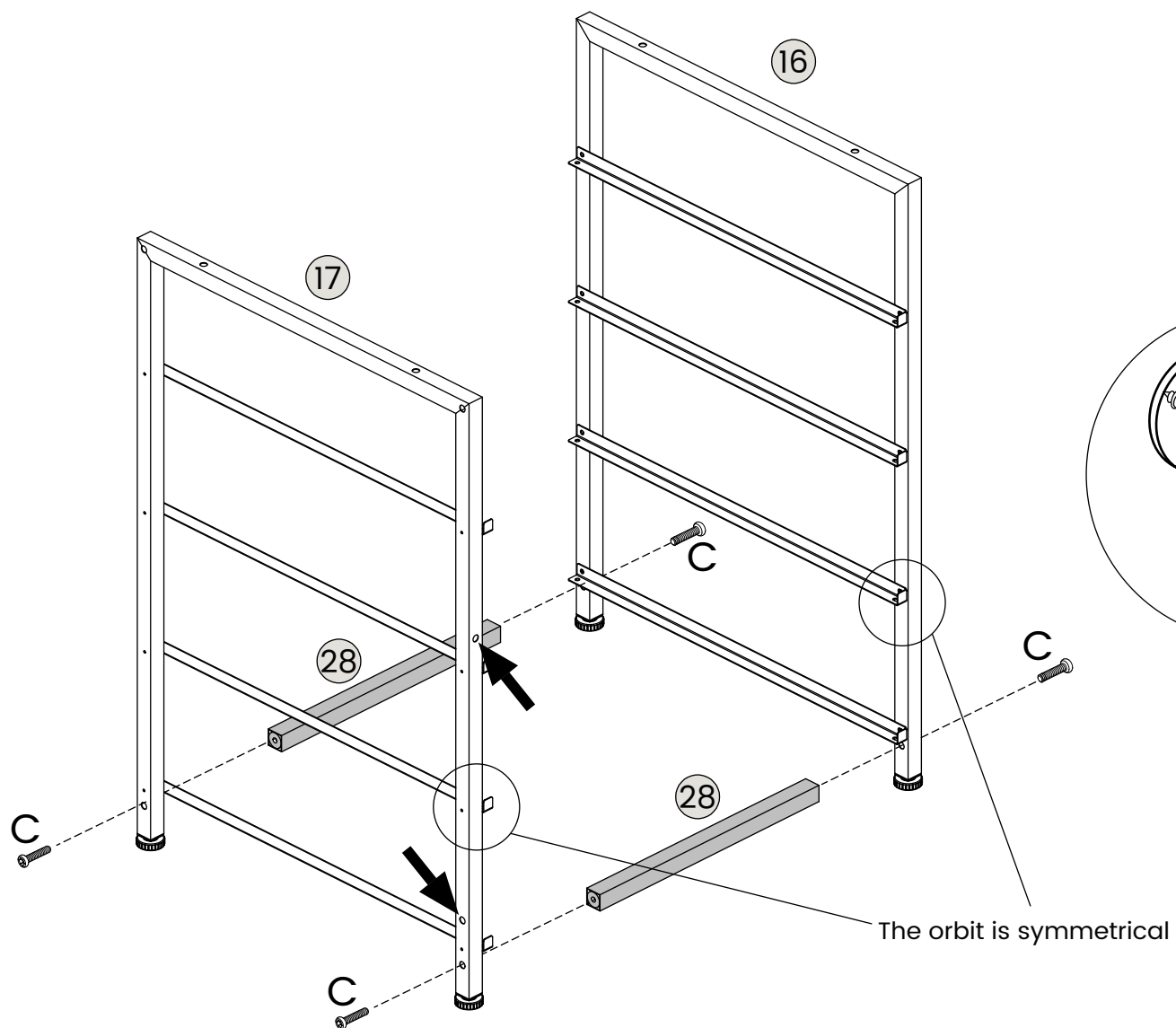
ST4X10MM



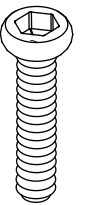
Tighten the F screw by 70%

Pay attention to the direction of the track stopper

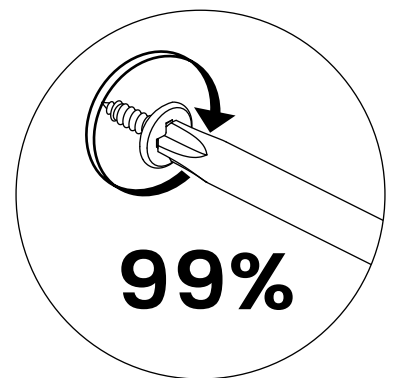
5



Cx4



M6X28MM

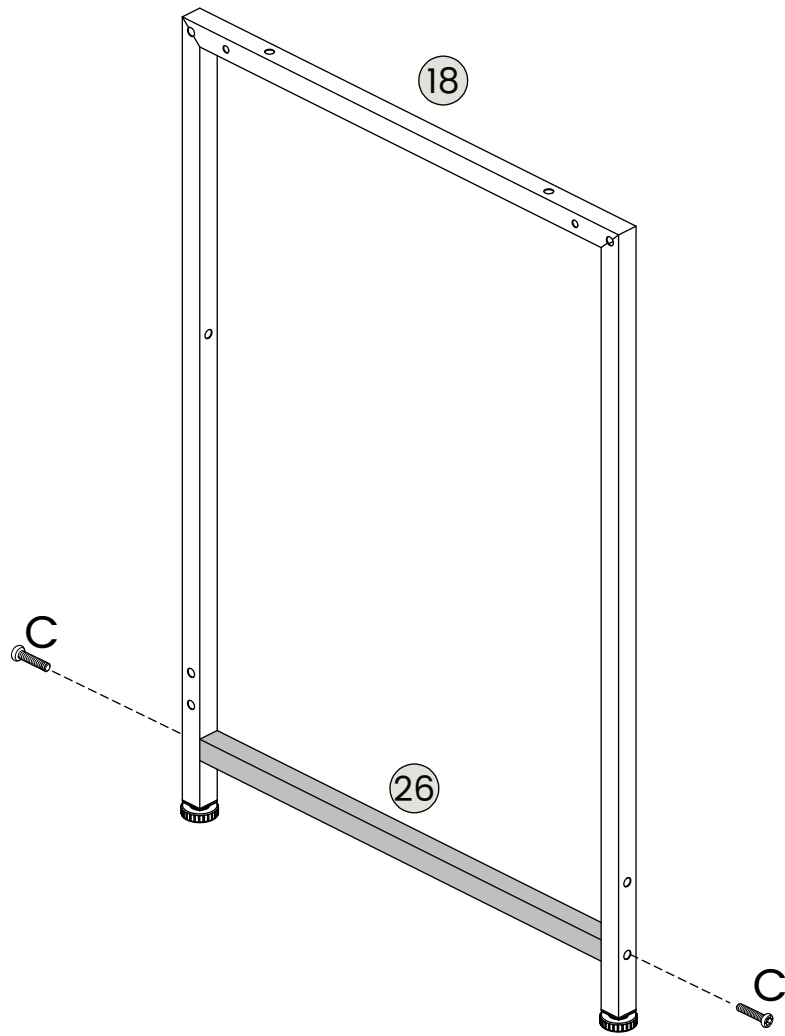


Tighten the F screw by 99%

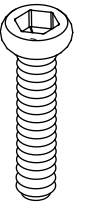
The orbit is symmetrical

Assembly Instruction

6

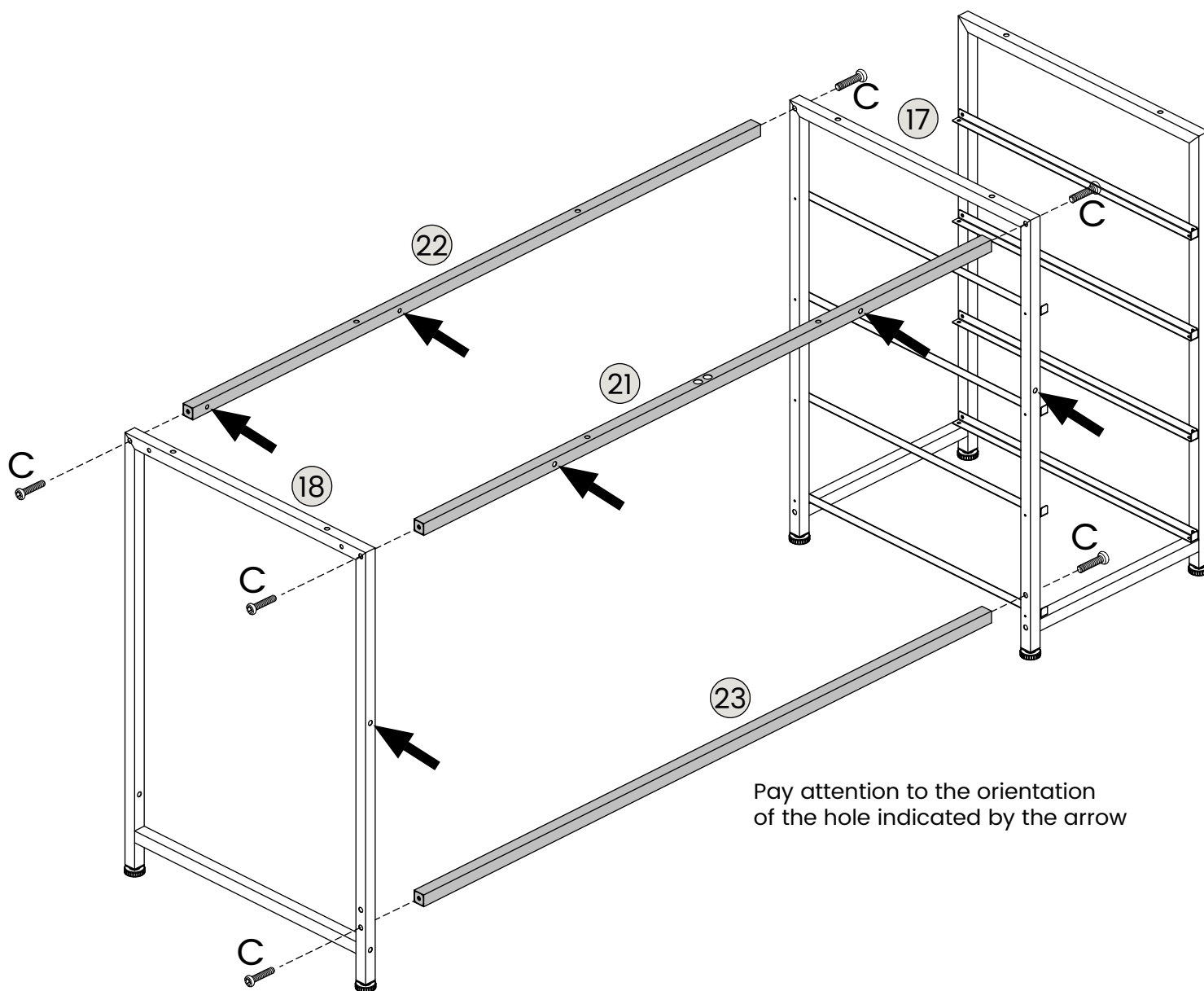


Cx2

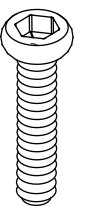


M6X28MM

7



Cx6



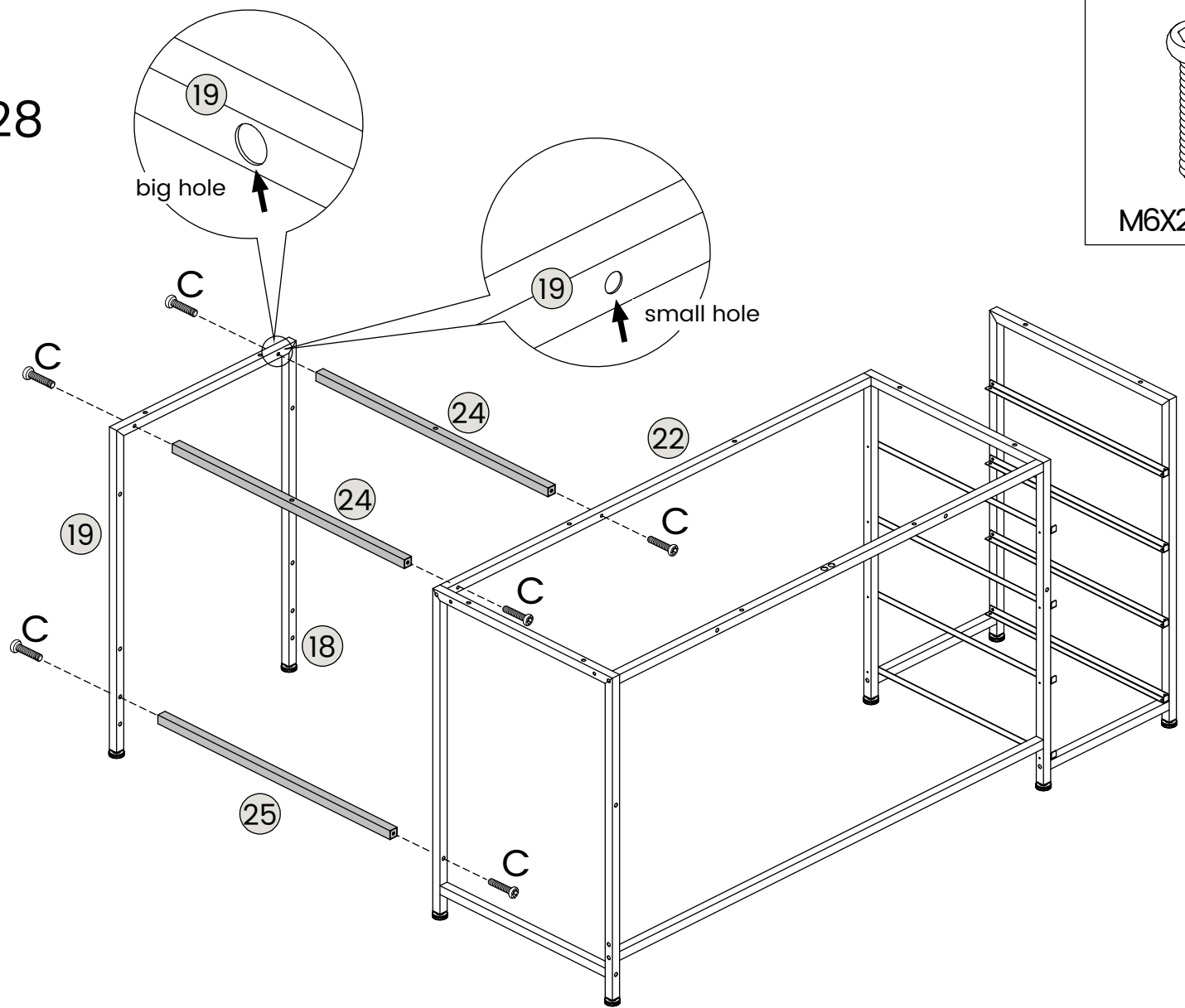
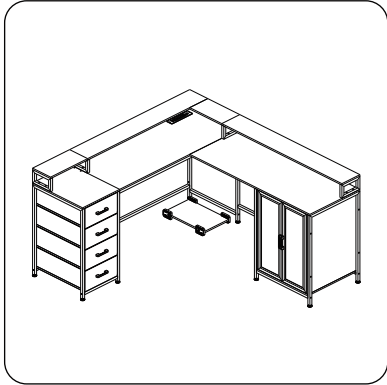
M6X28MM

Pay attention to the orientation of the hole indicated by the arrow

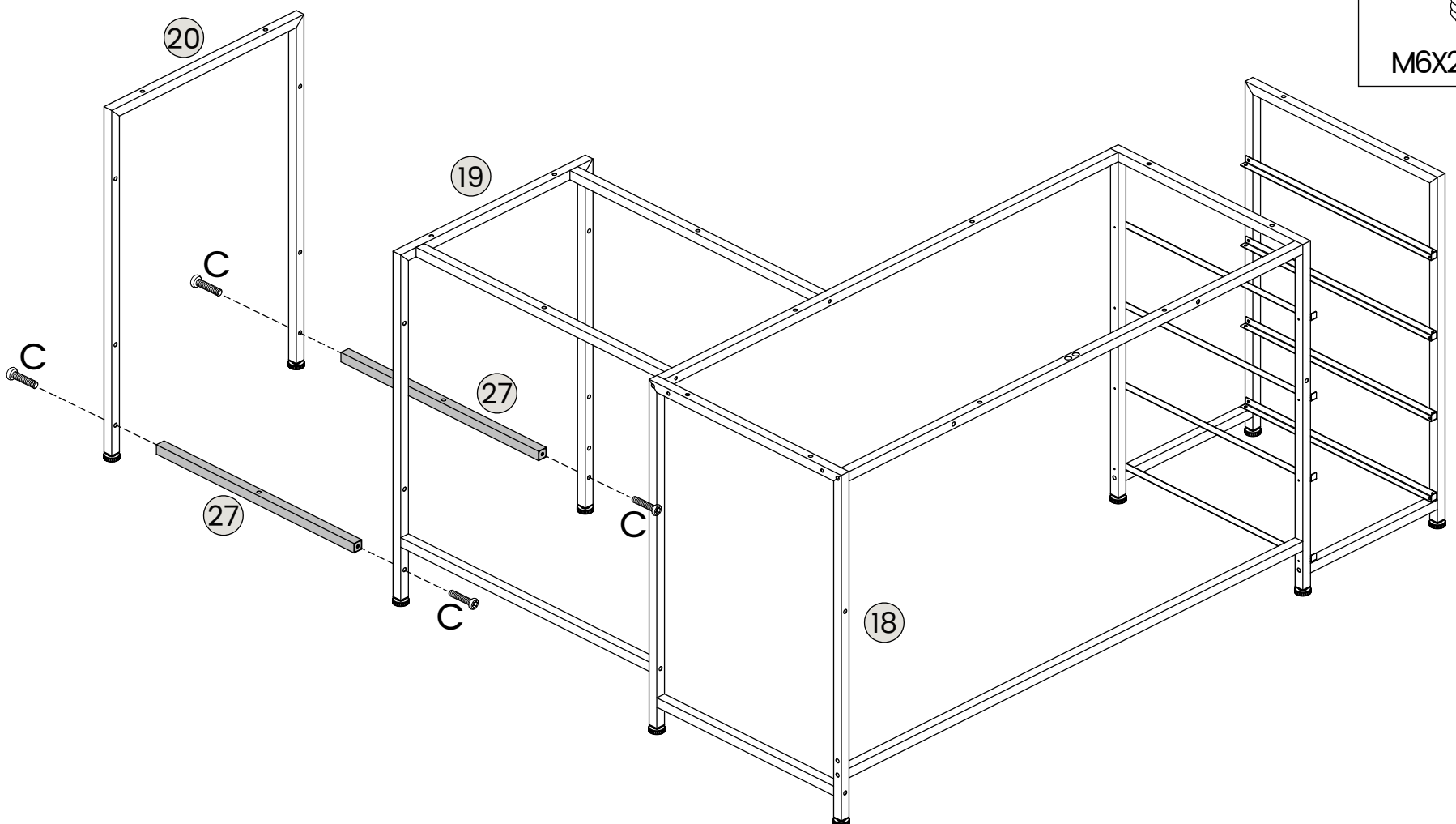
Assembly Instruction

8

Option A:08-28

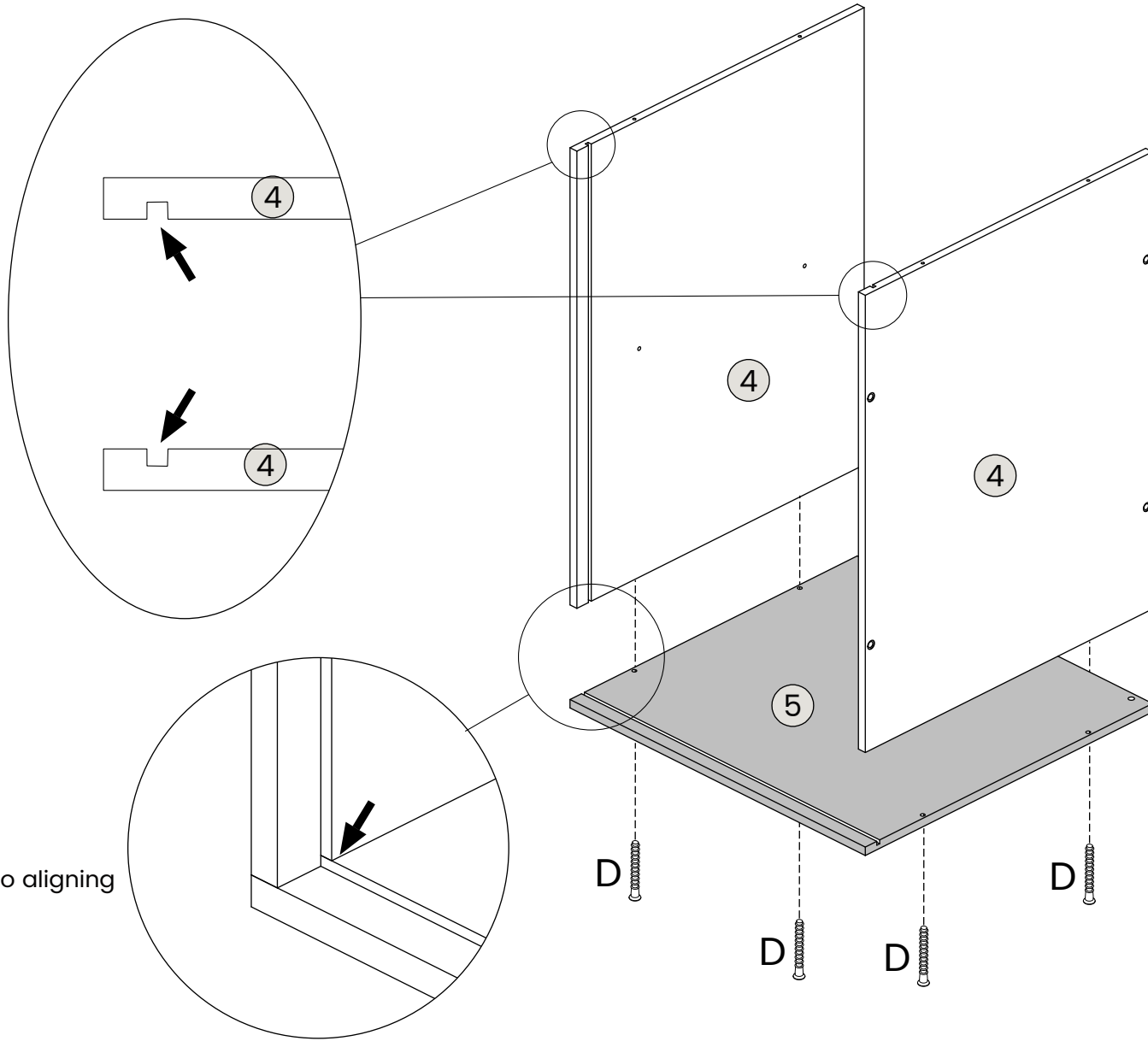


9

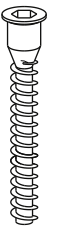


Assembly Instruction

10



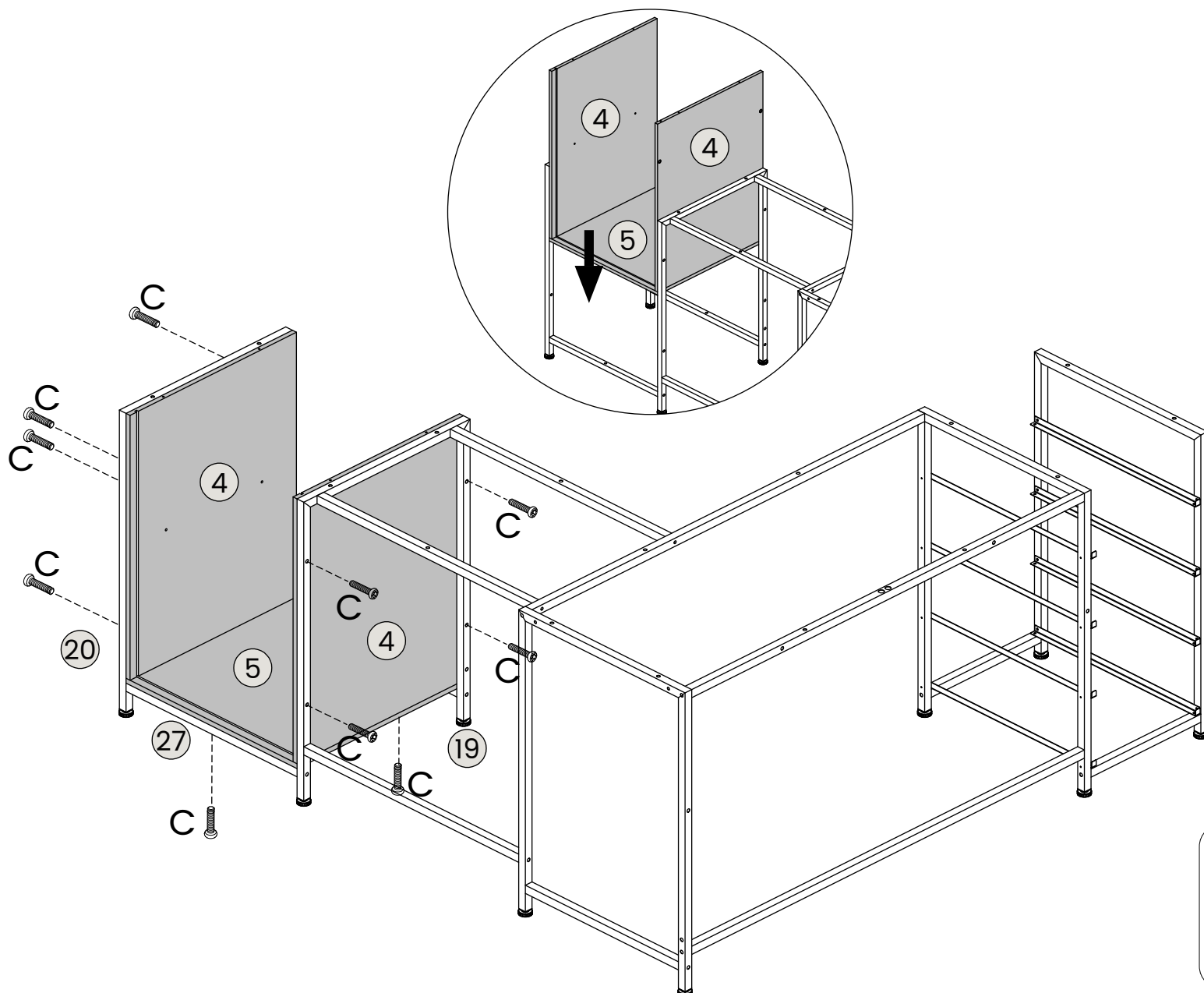
Dx4



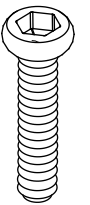
ST5X40MM

Pay attention to aligning the card slots

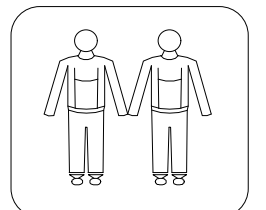
11



Cx10

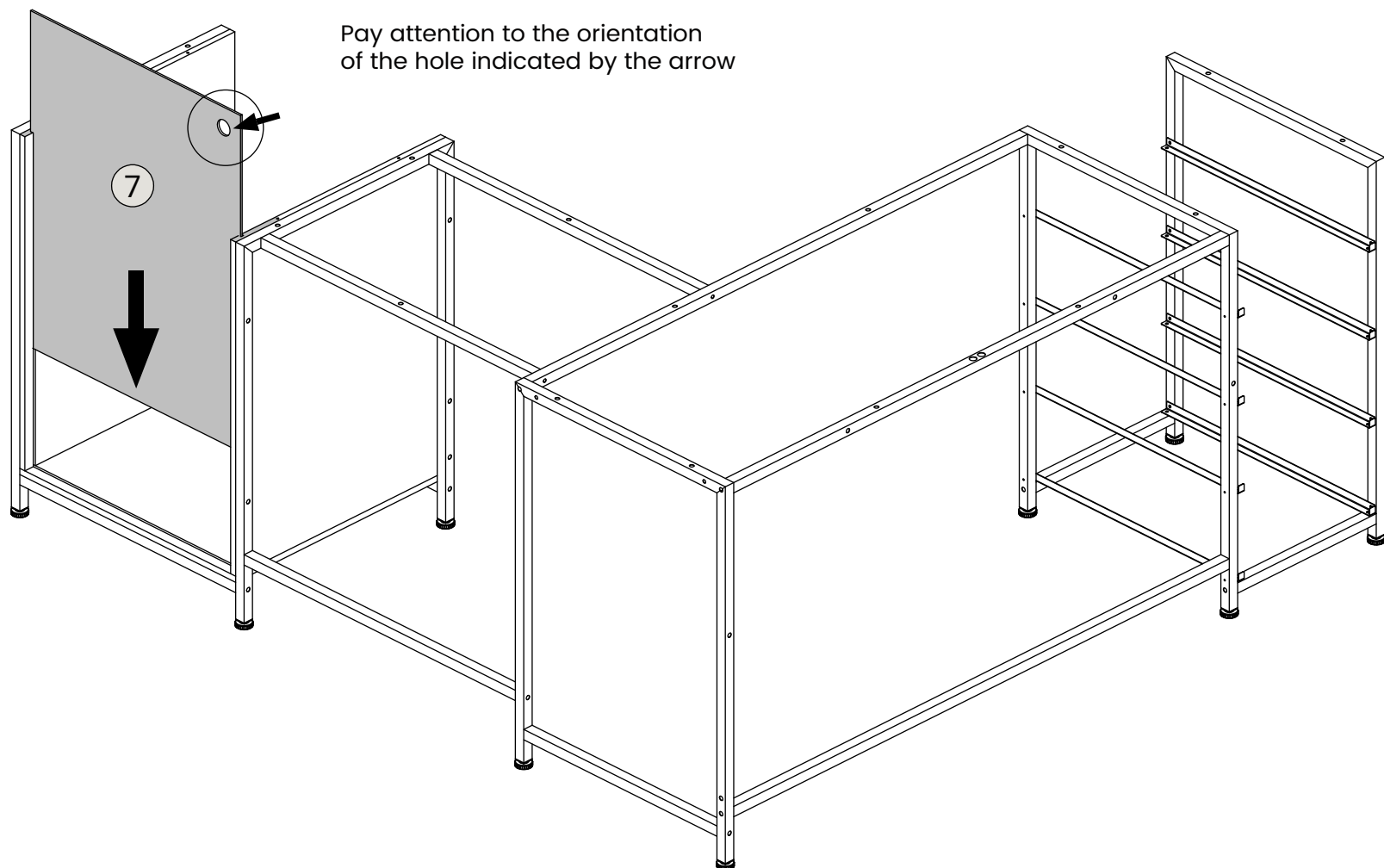


M6X28MM

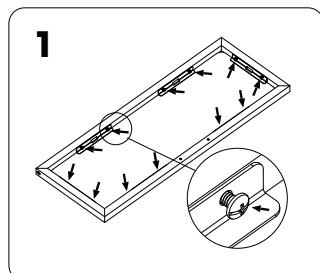


Assembly Instruction

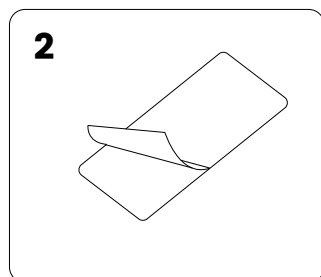
12



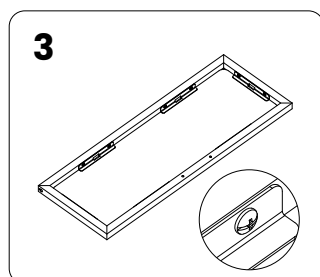
13



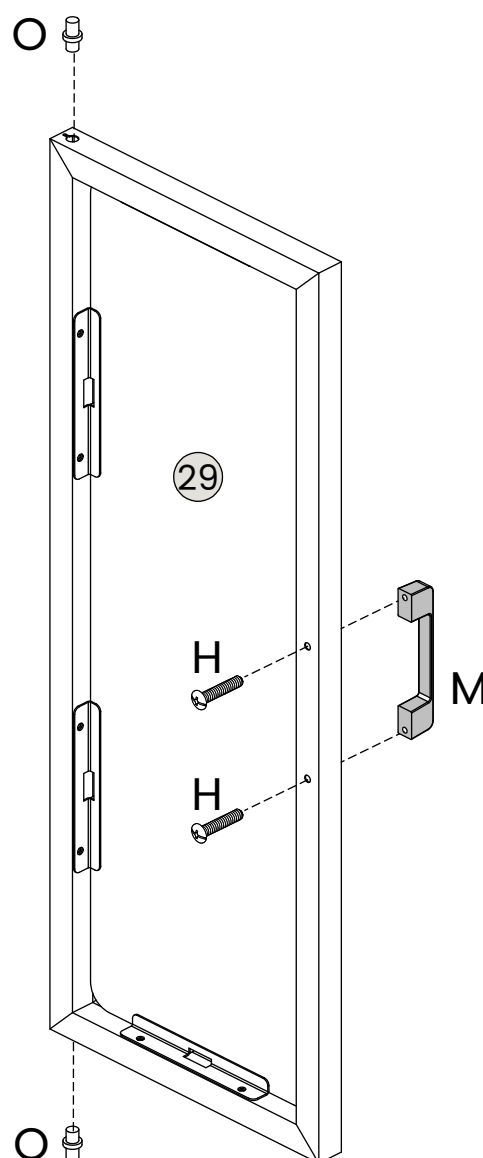
1
loosen the screw indicated by the arrow



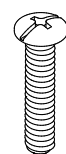
2
Tear off the protective film on both sides



3
Tighten all screws

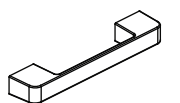


Hx4

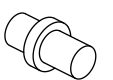


M4X25MM

Mx2



Ox4

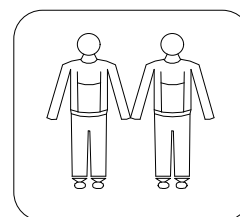
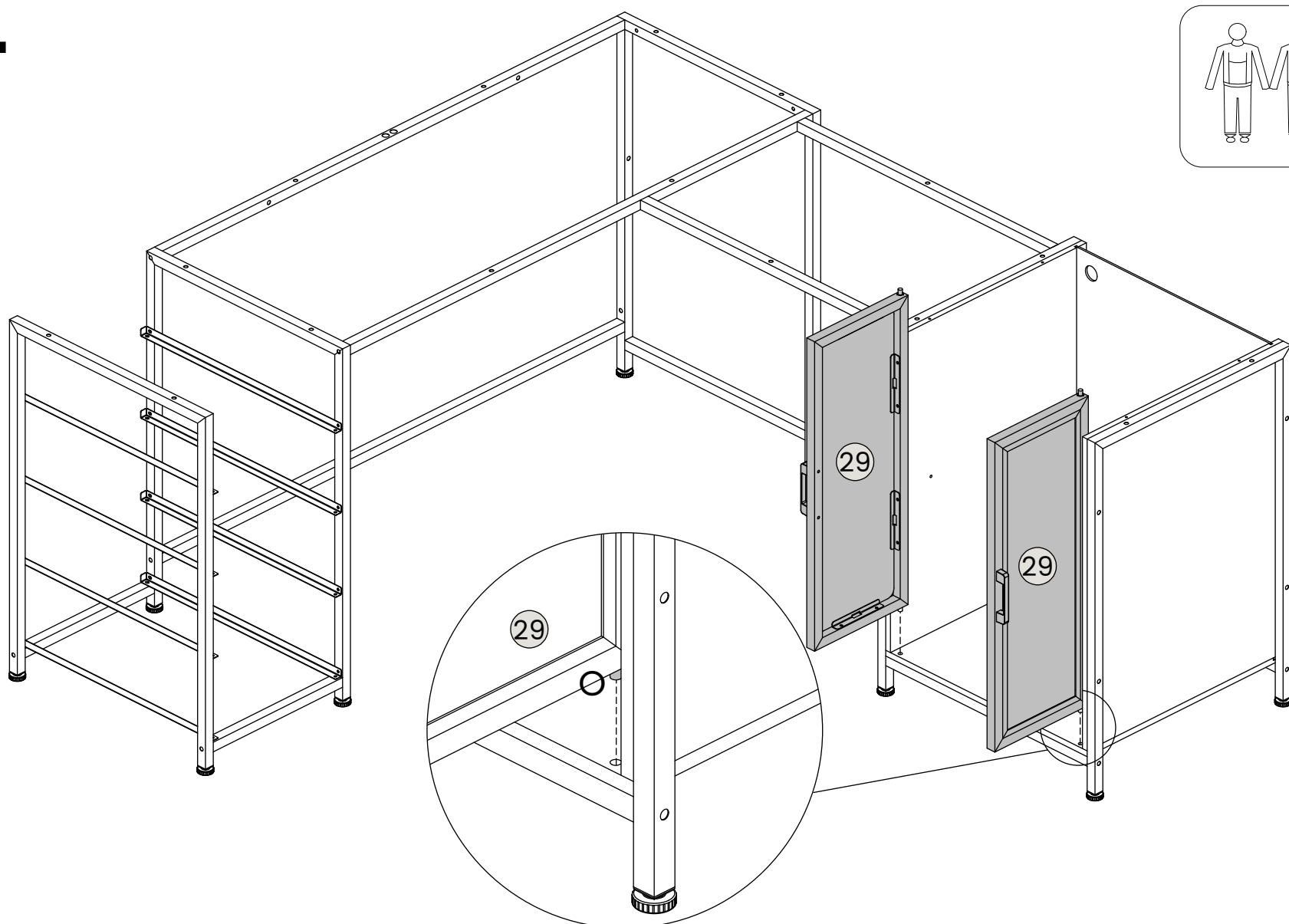


φ8X21MM

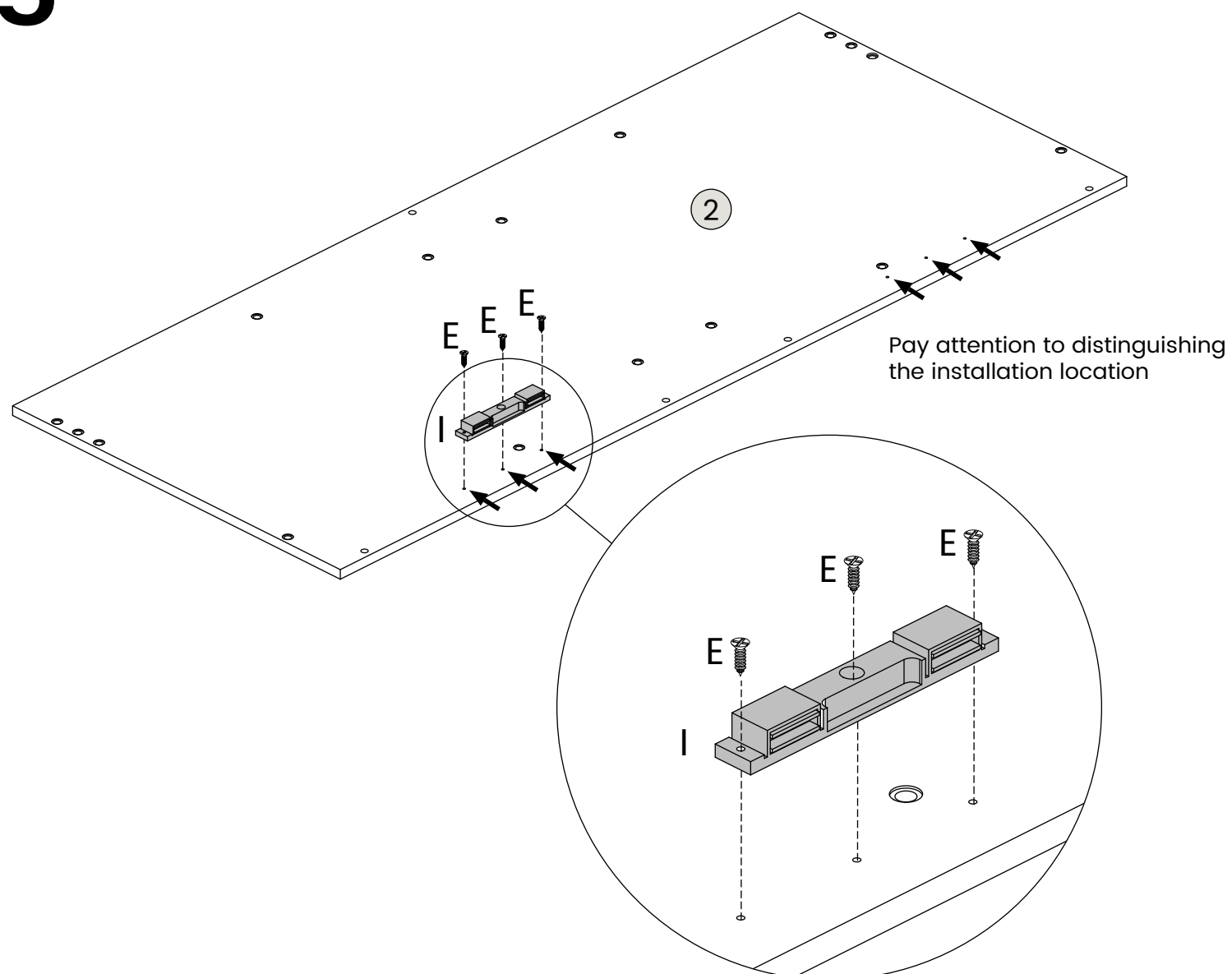
X2

Assembly Instruction

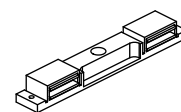
14



15



I x1



E x3

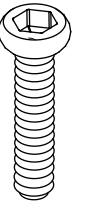


ST4X14MM

Assembly Instruction

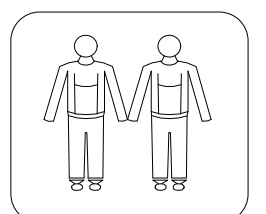
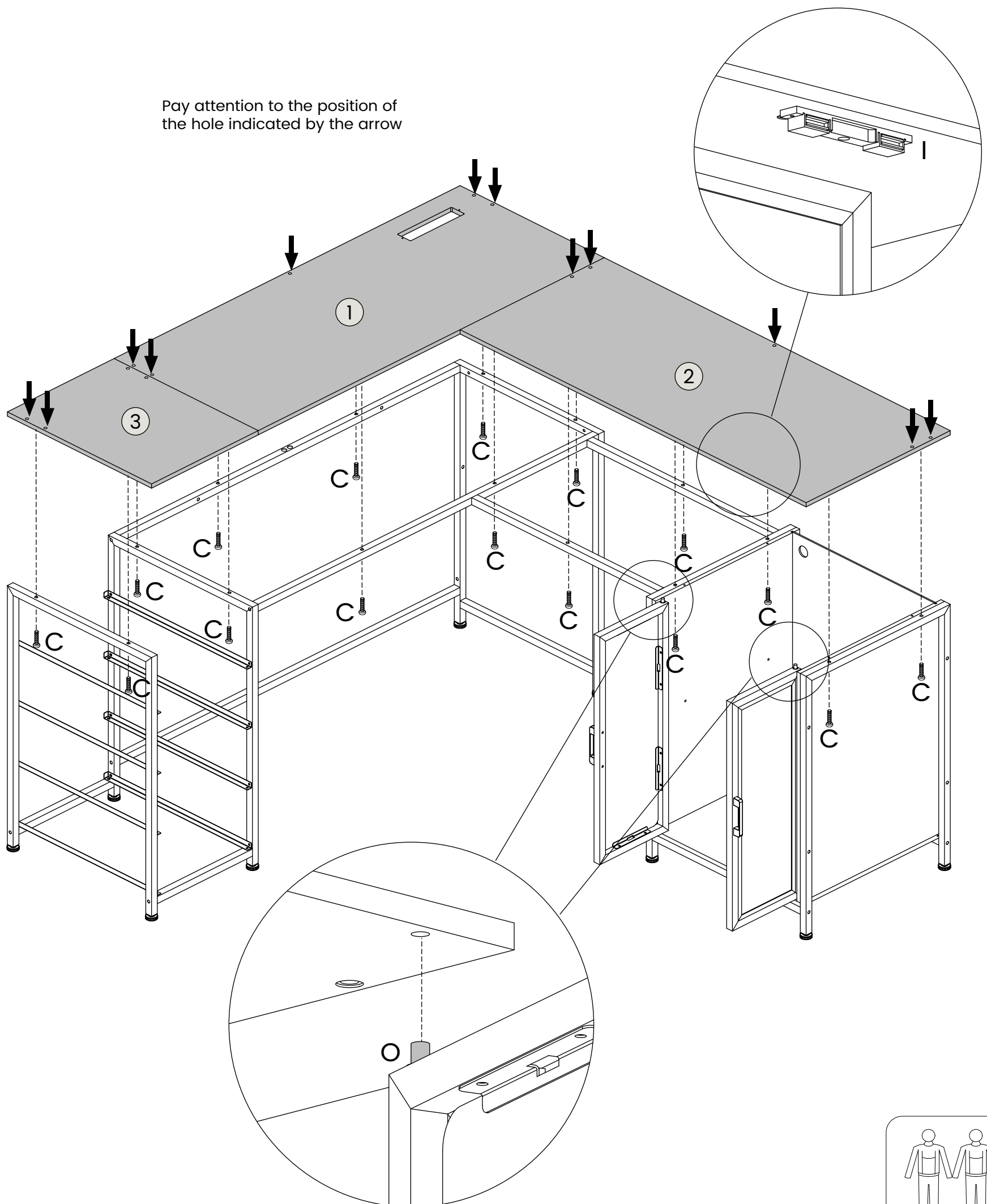
16

Cx16



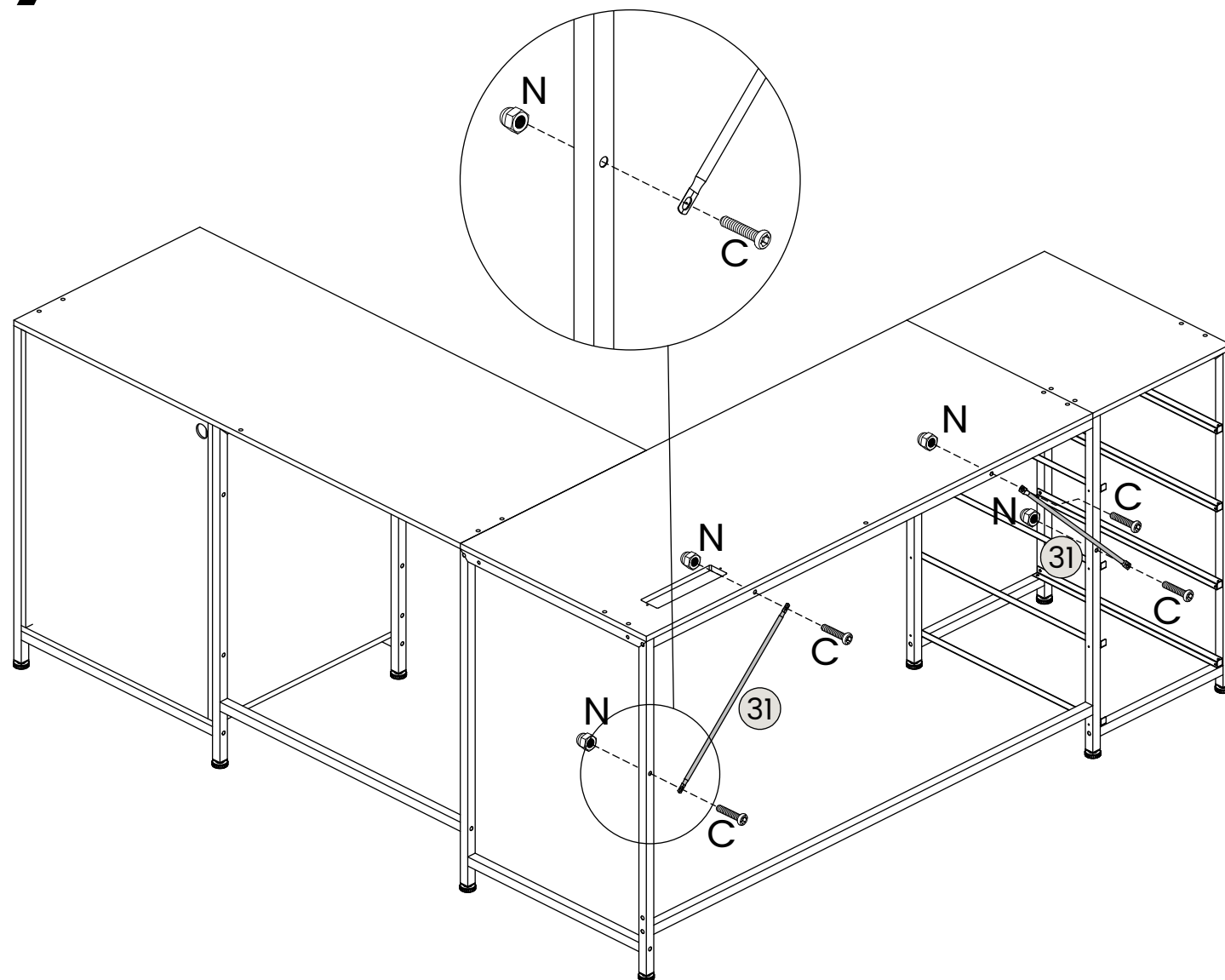
M6X28MM

Pay attention to the position of the hole indicated by the arrow

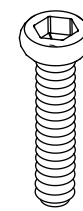


Assembly Instruction

17

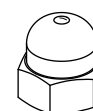


Cx4



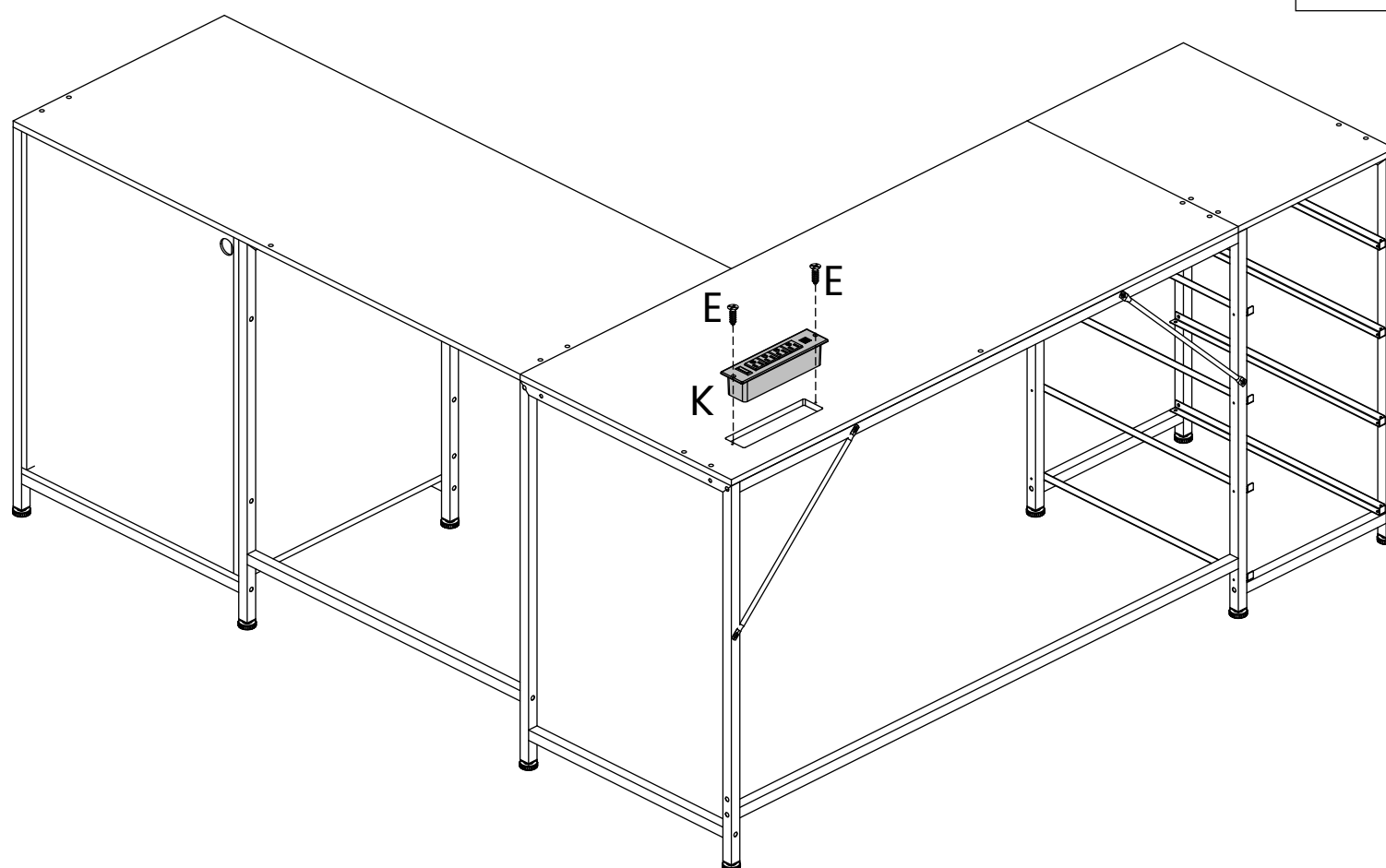
M6X28MM

Nx4



M6

18

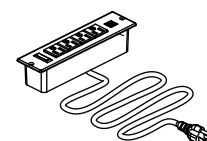


E x2



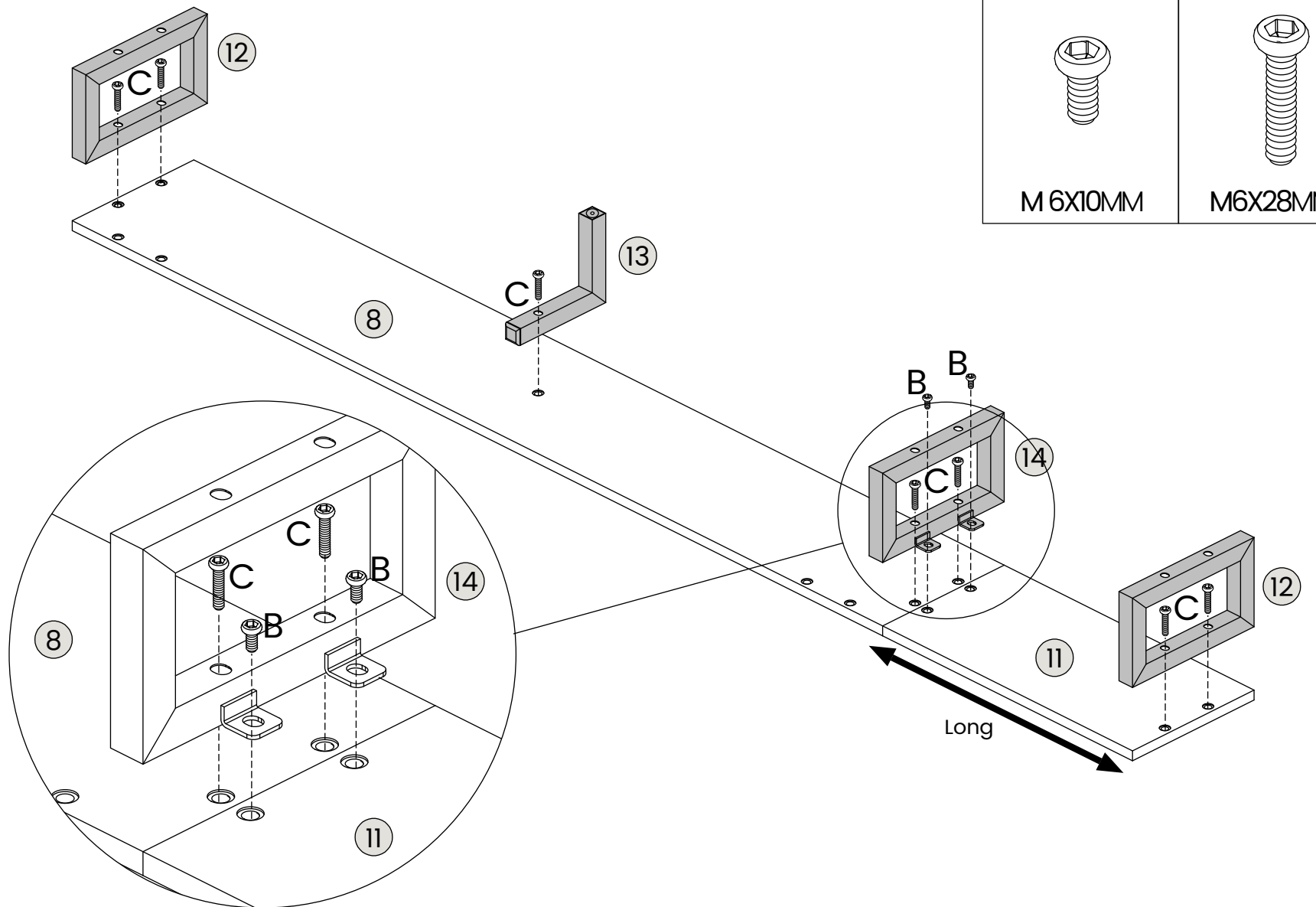
ST4X14MM

Kx1

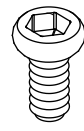


Assembly Instruction

19

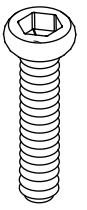


B x2



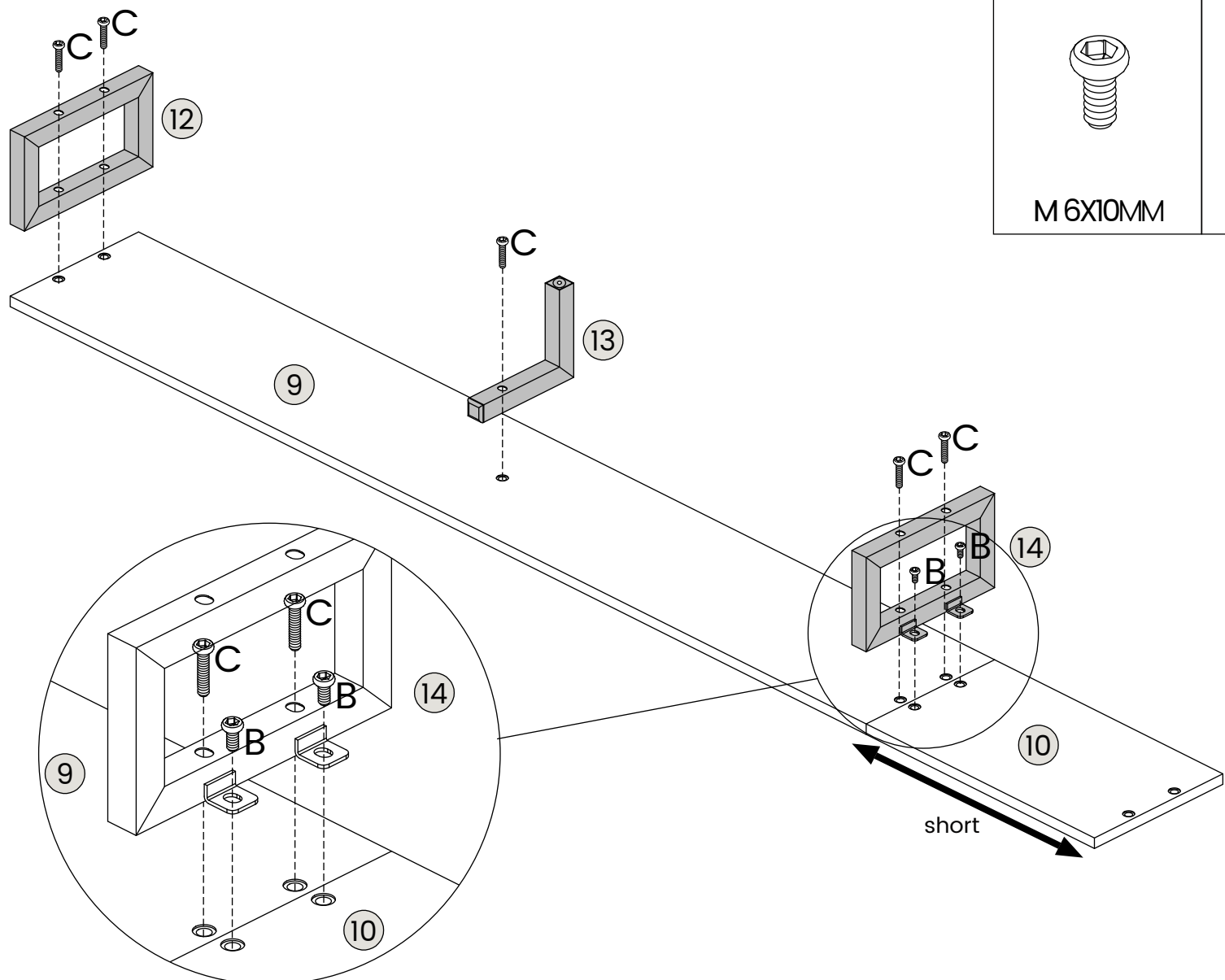
M 6X10MM

C x7

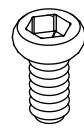


M6X28MM

20

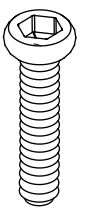


B x2



M 6X10MM

C x5

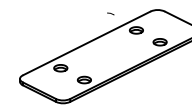


M6X28MM

Assembly Instruction

21

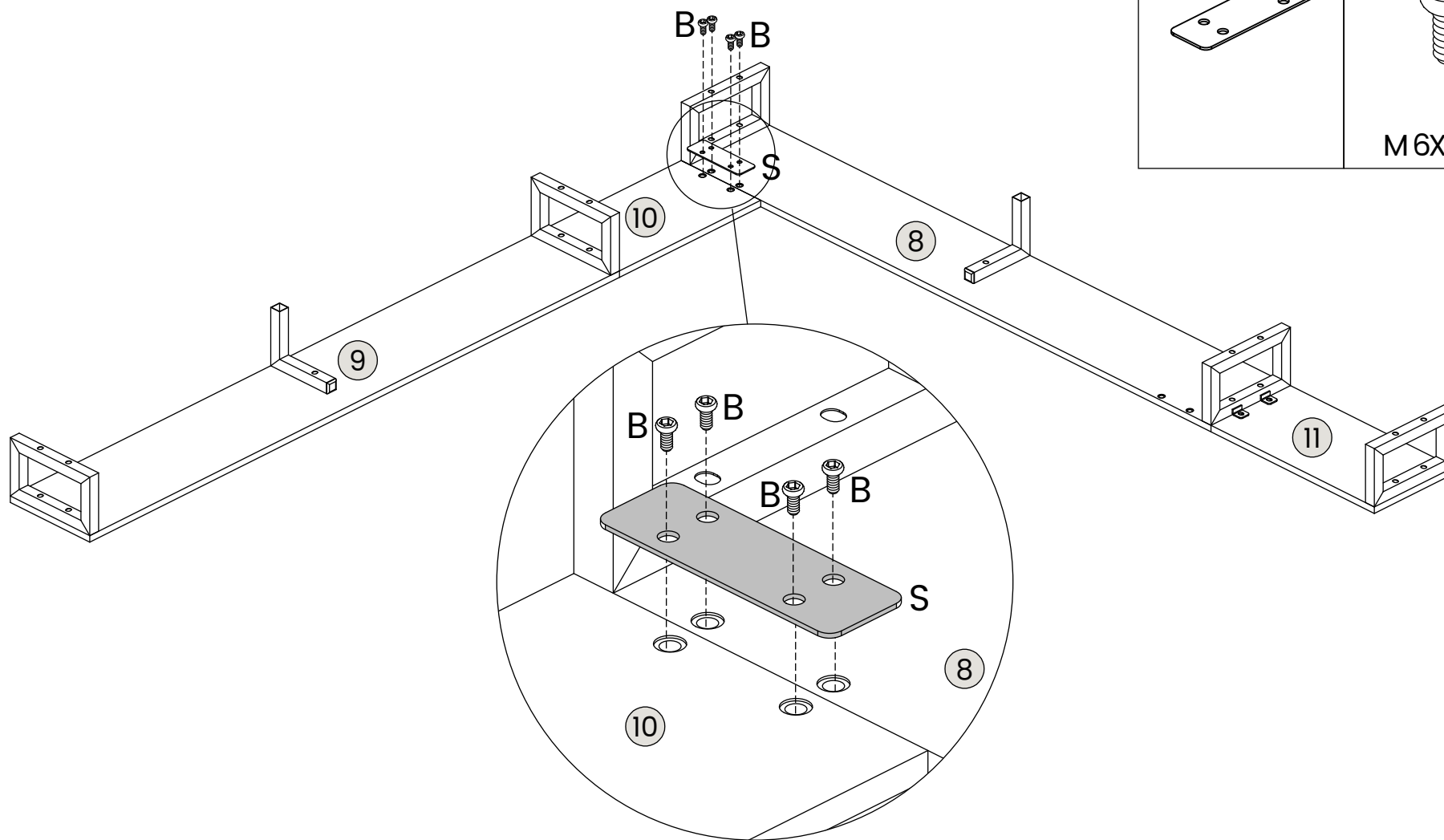
S x1



B x4

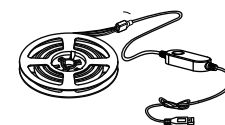


M 6X10MM

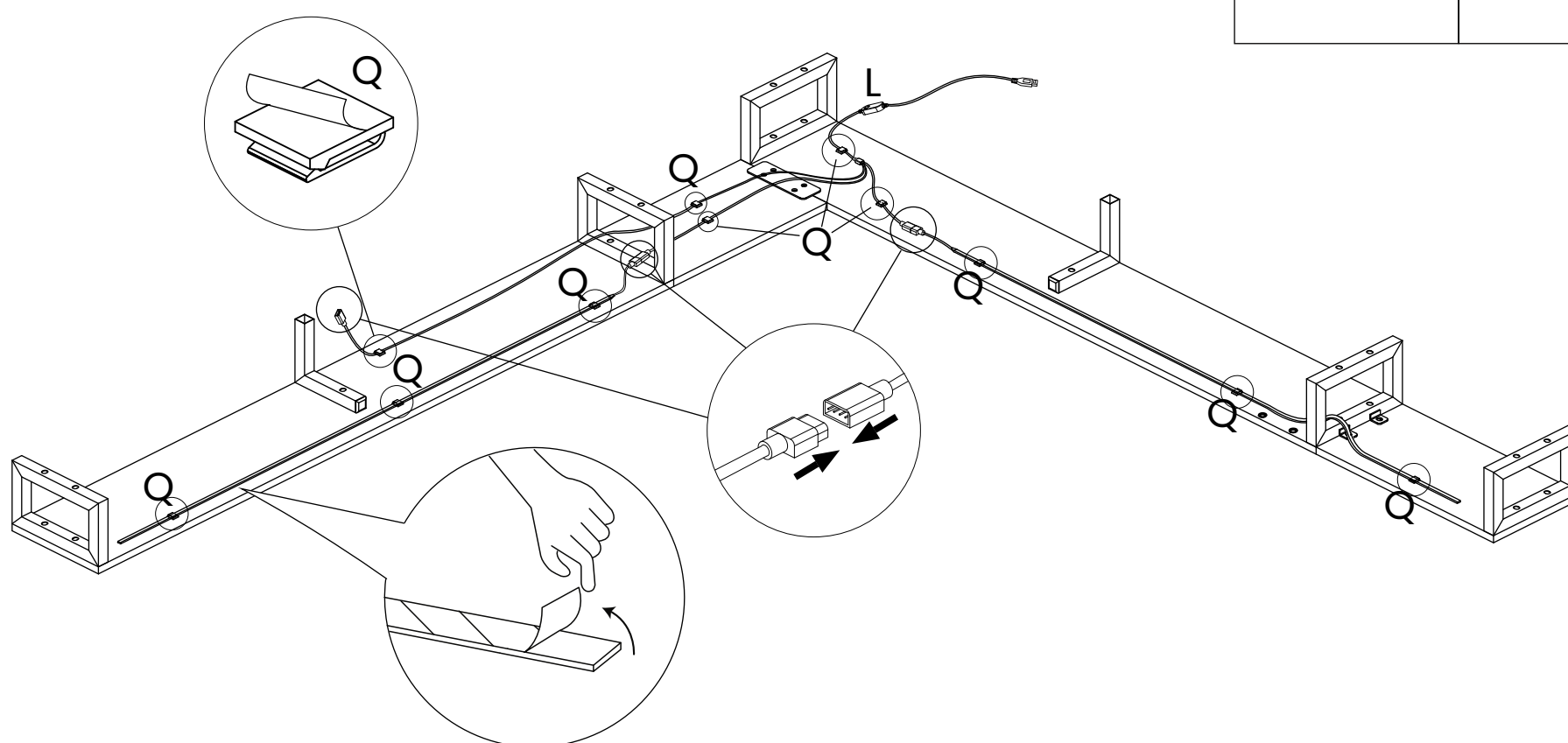
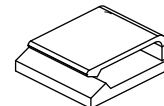


22

L x1

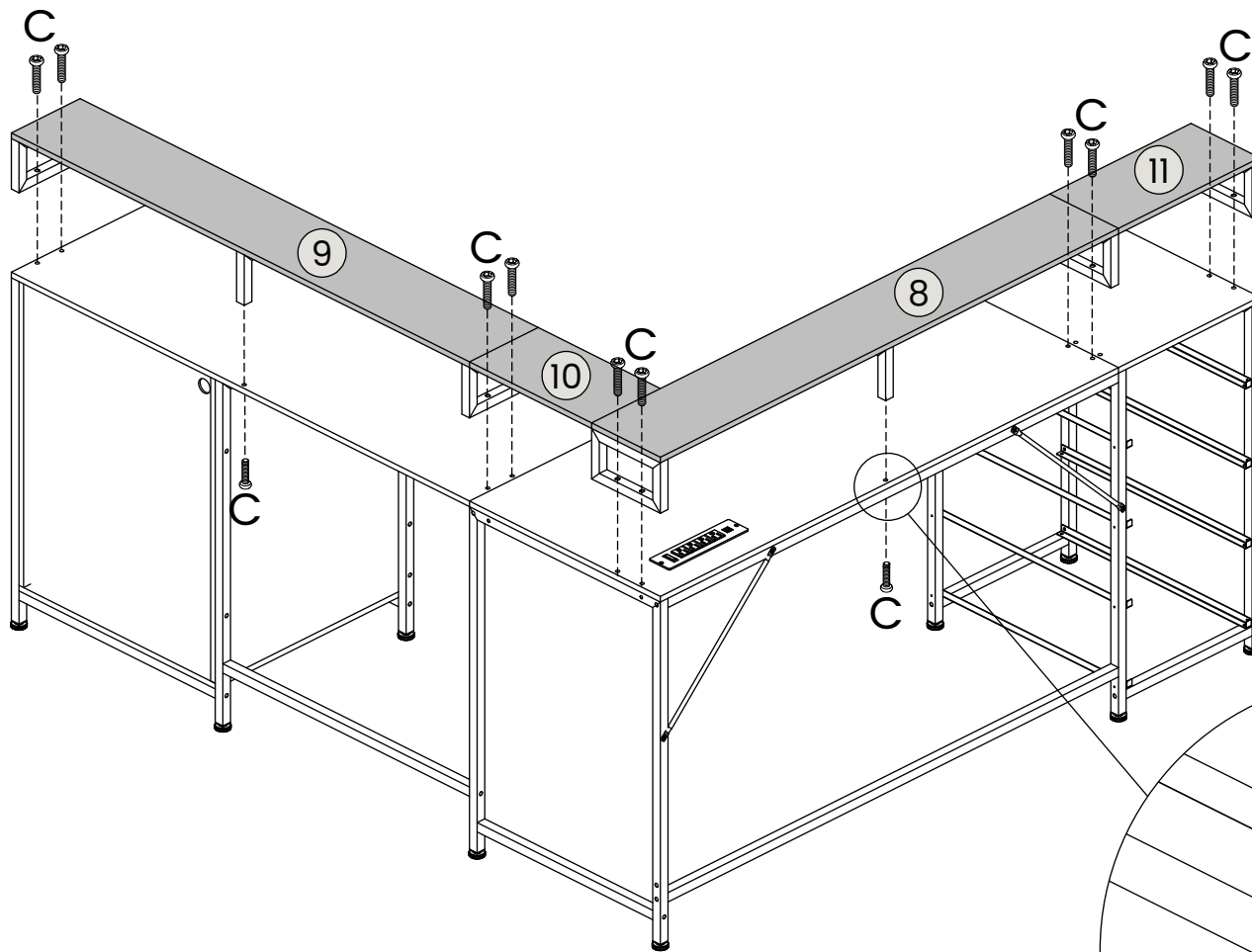


Q x11

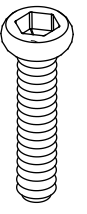


Assembly Instruction

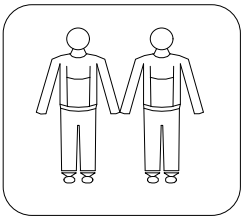
23



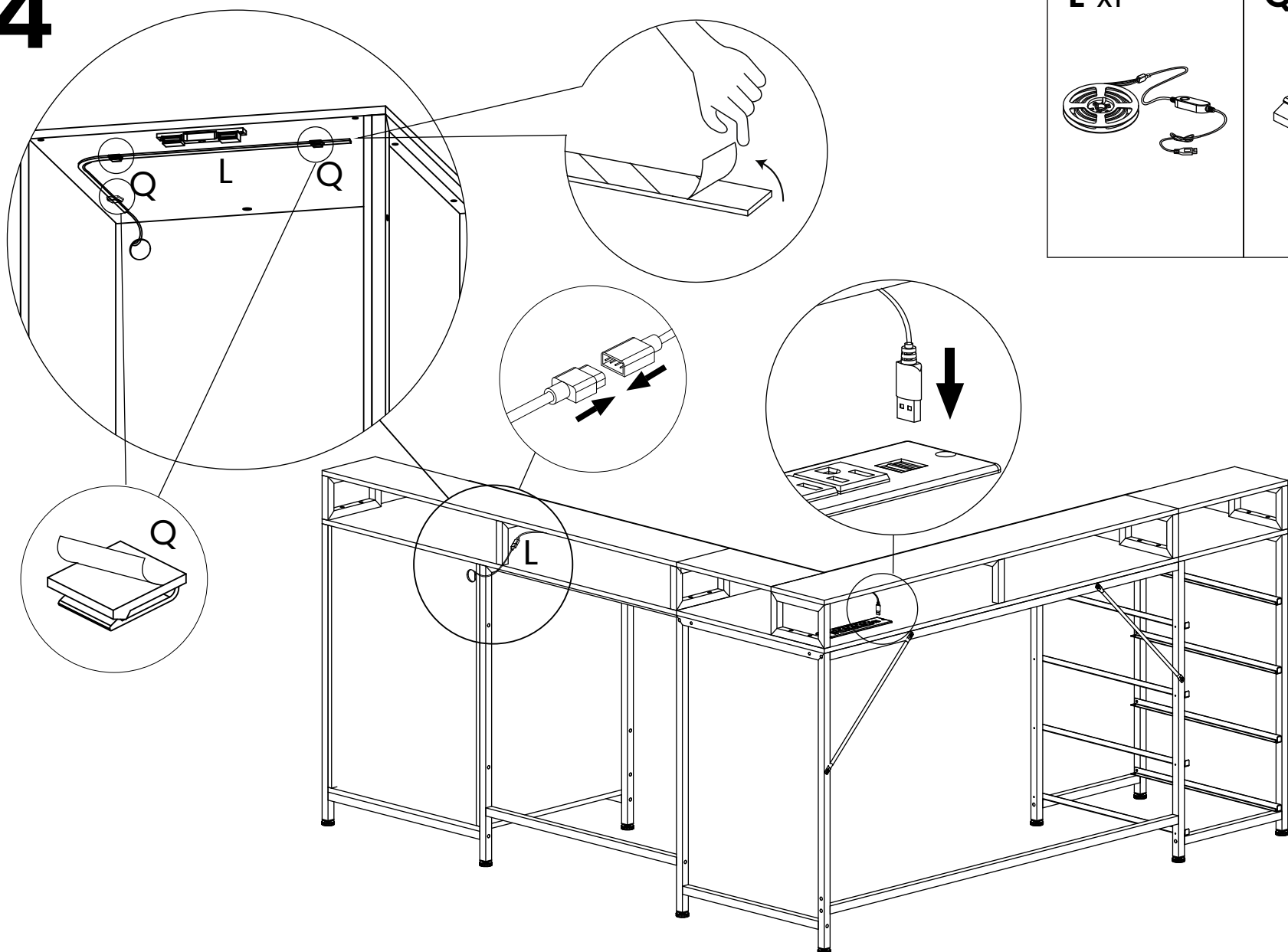
Cx12



M6X28MM



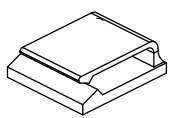
24



L x1



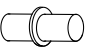
Qx3



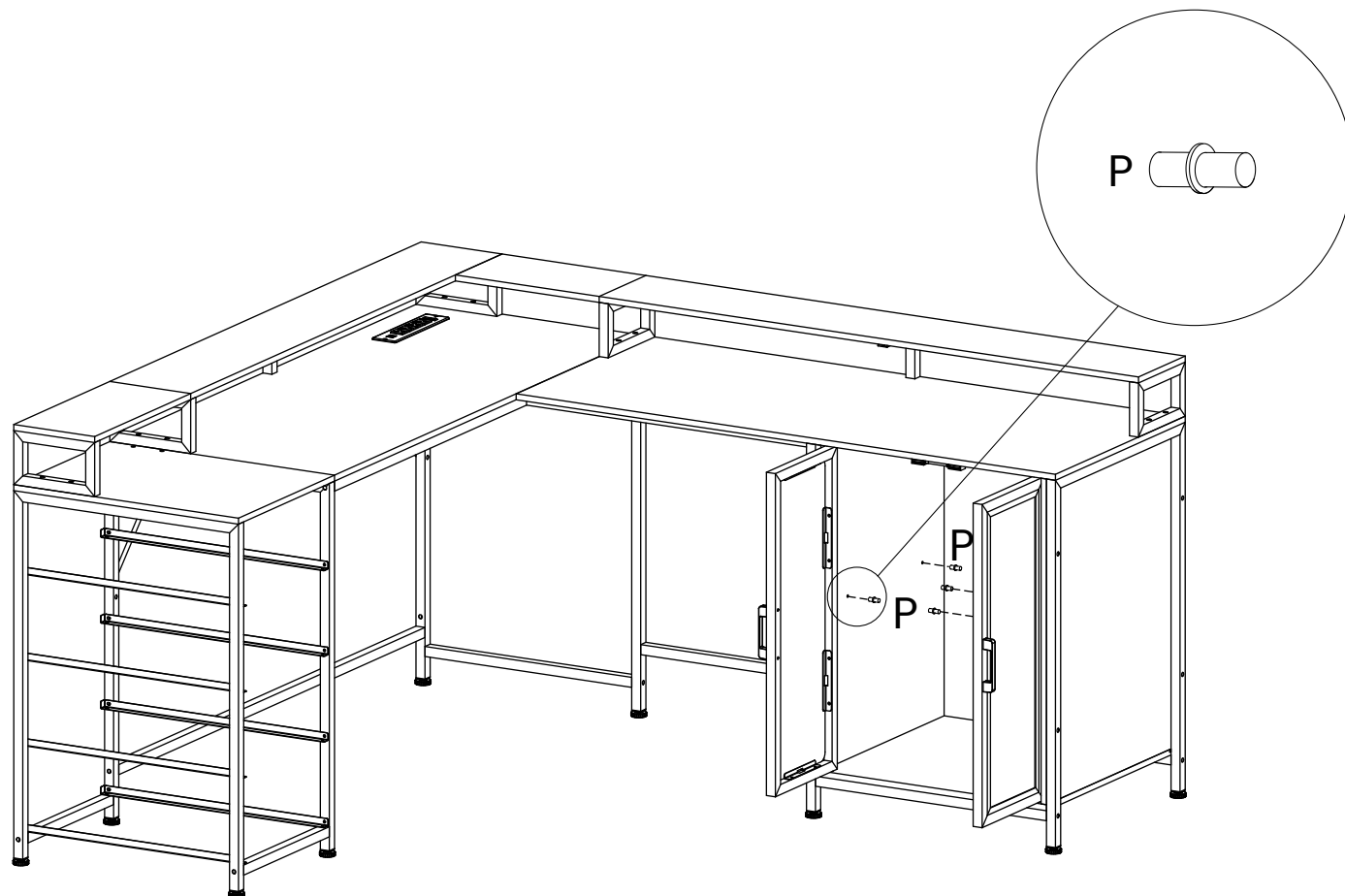
Assembly Instruction

25

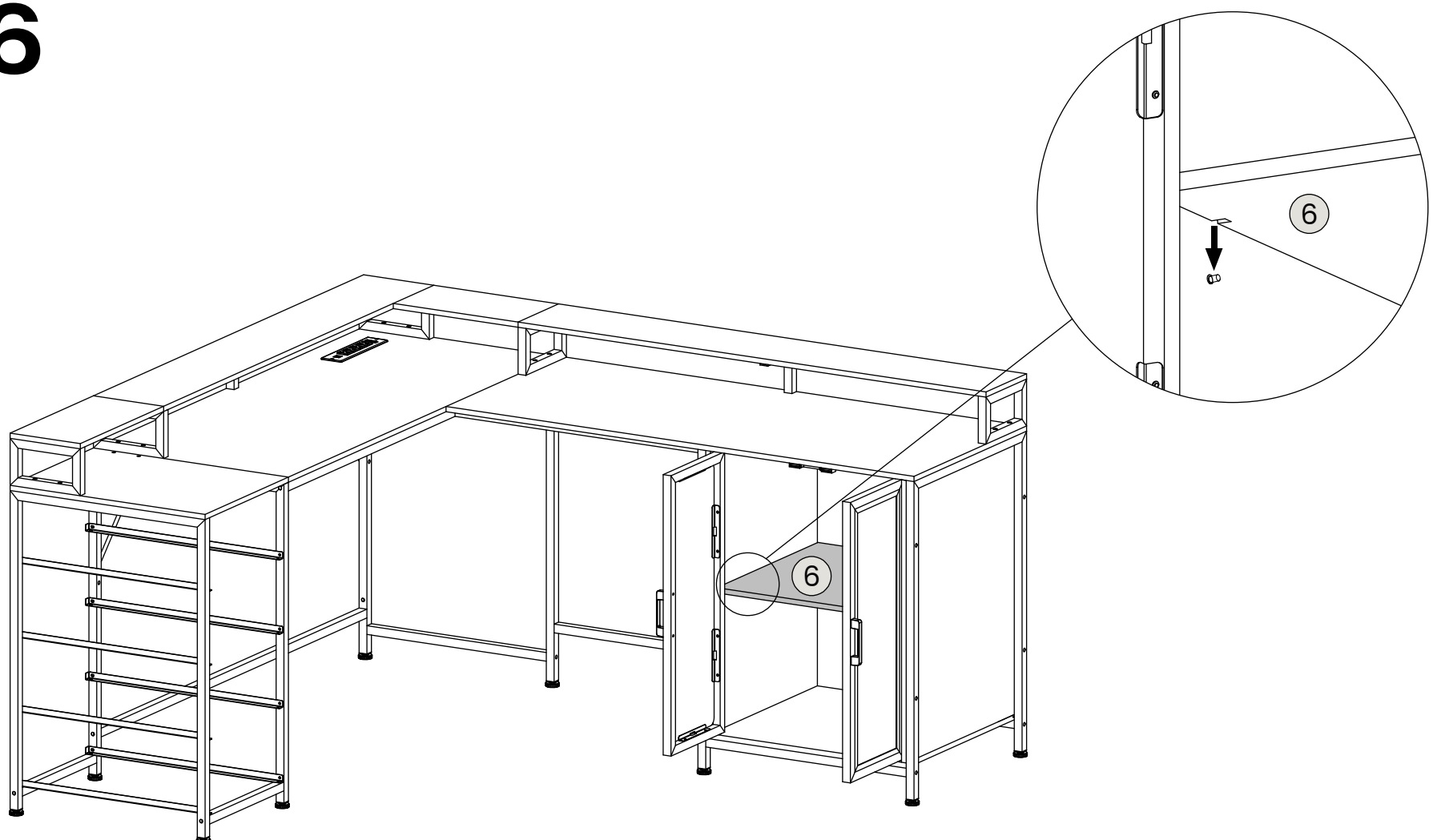
P x4



φ5X15MM

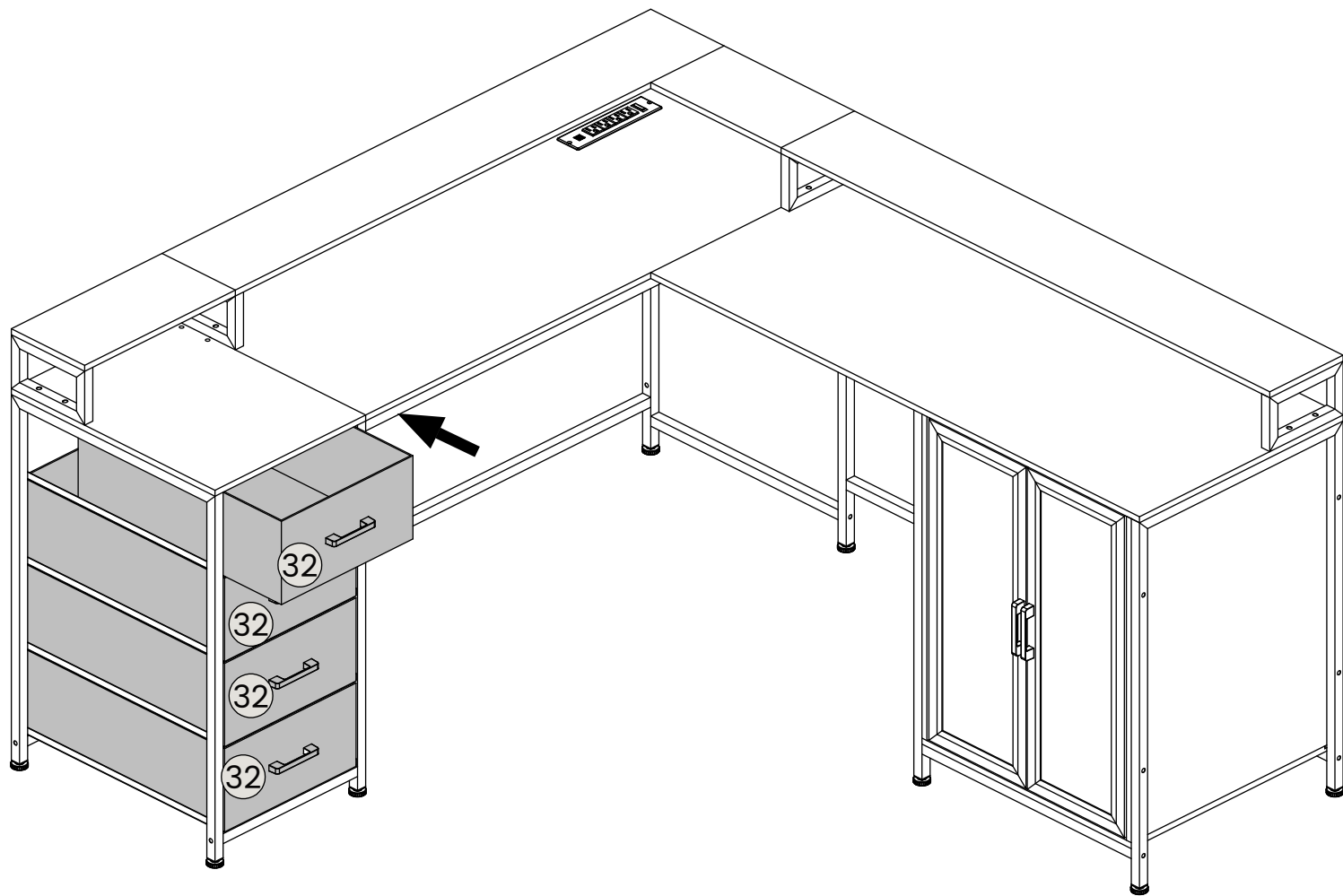


26

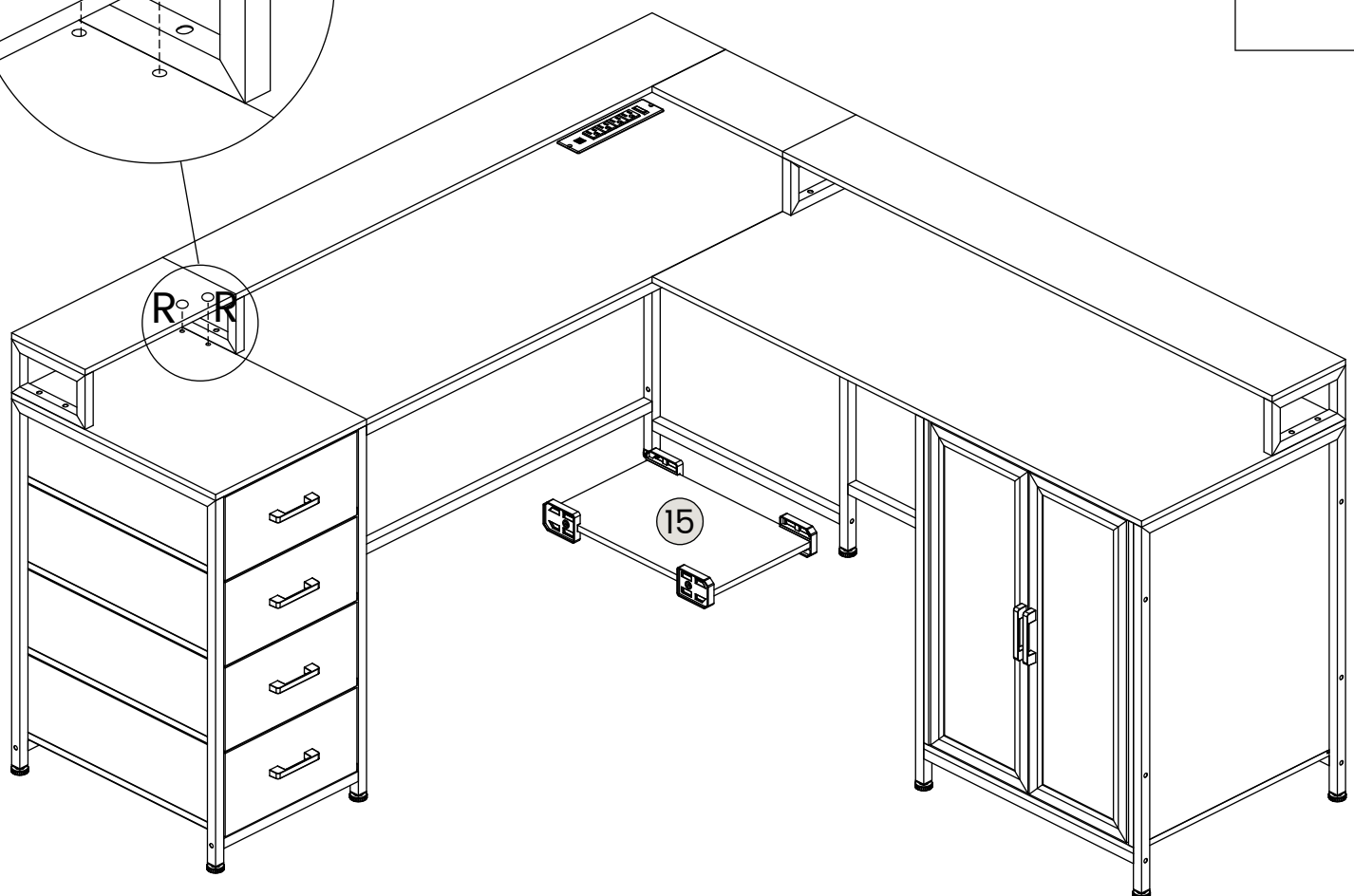
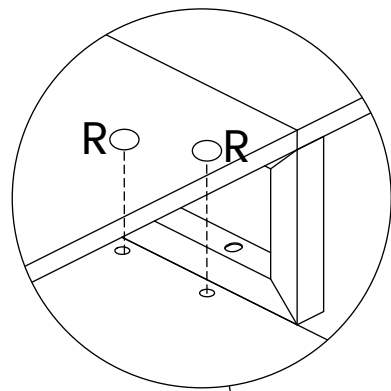


Assembly Instruction

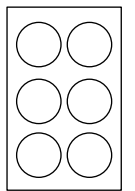
27



28



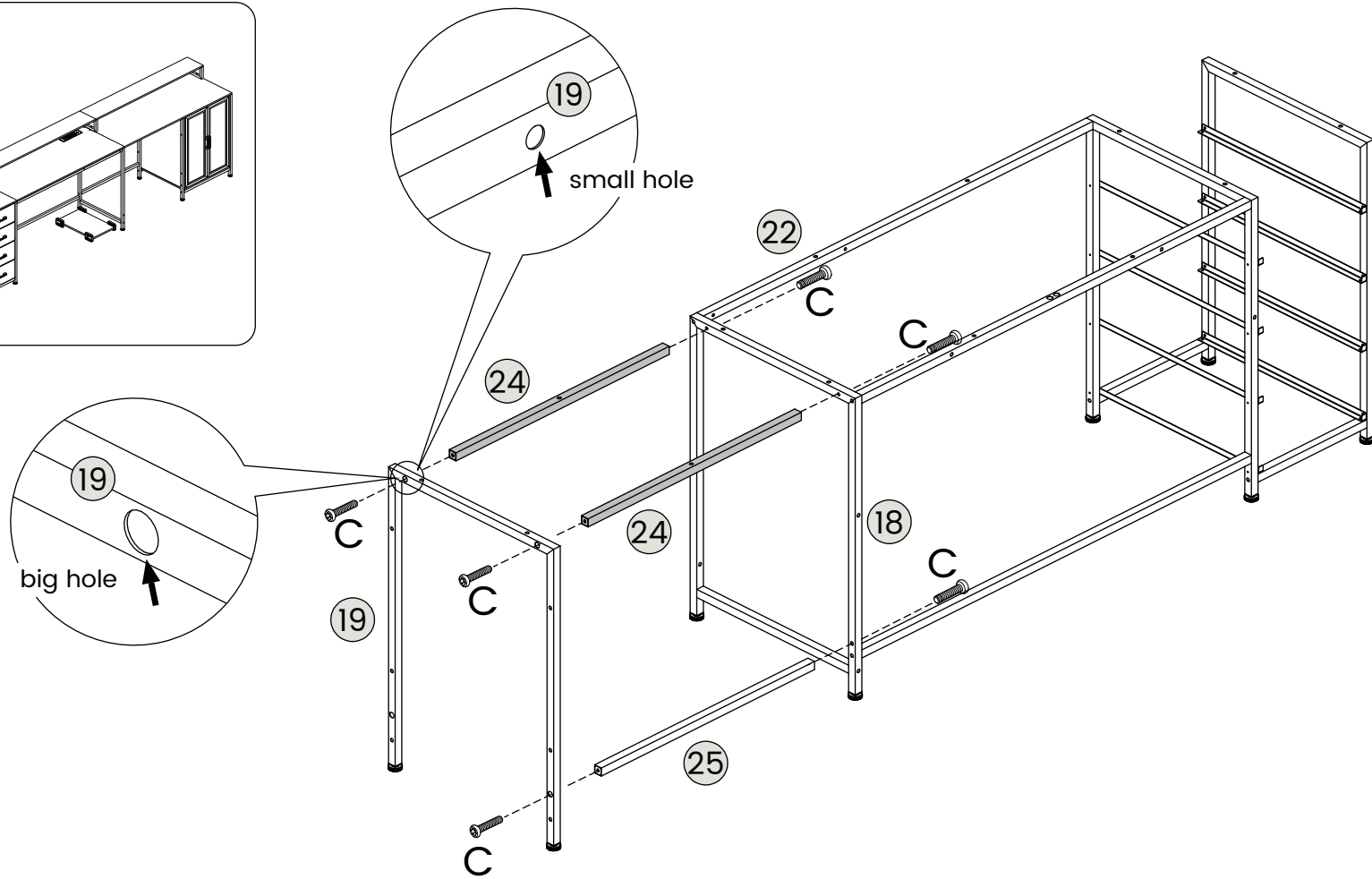
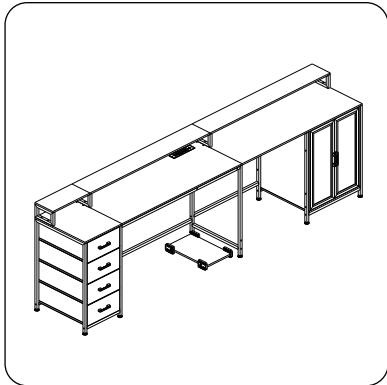
R x1



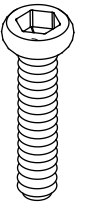
Assembly Instruction

29

Option B:29-48

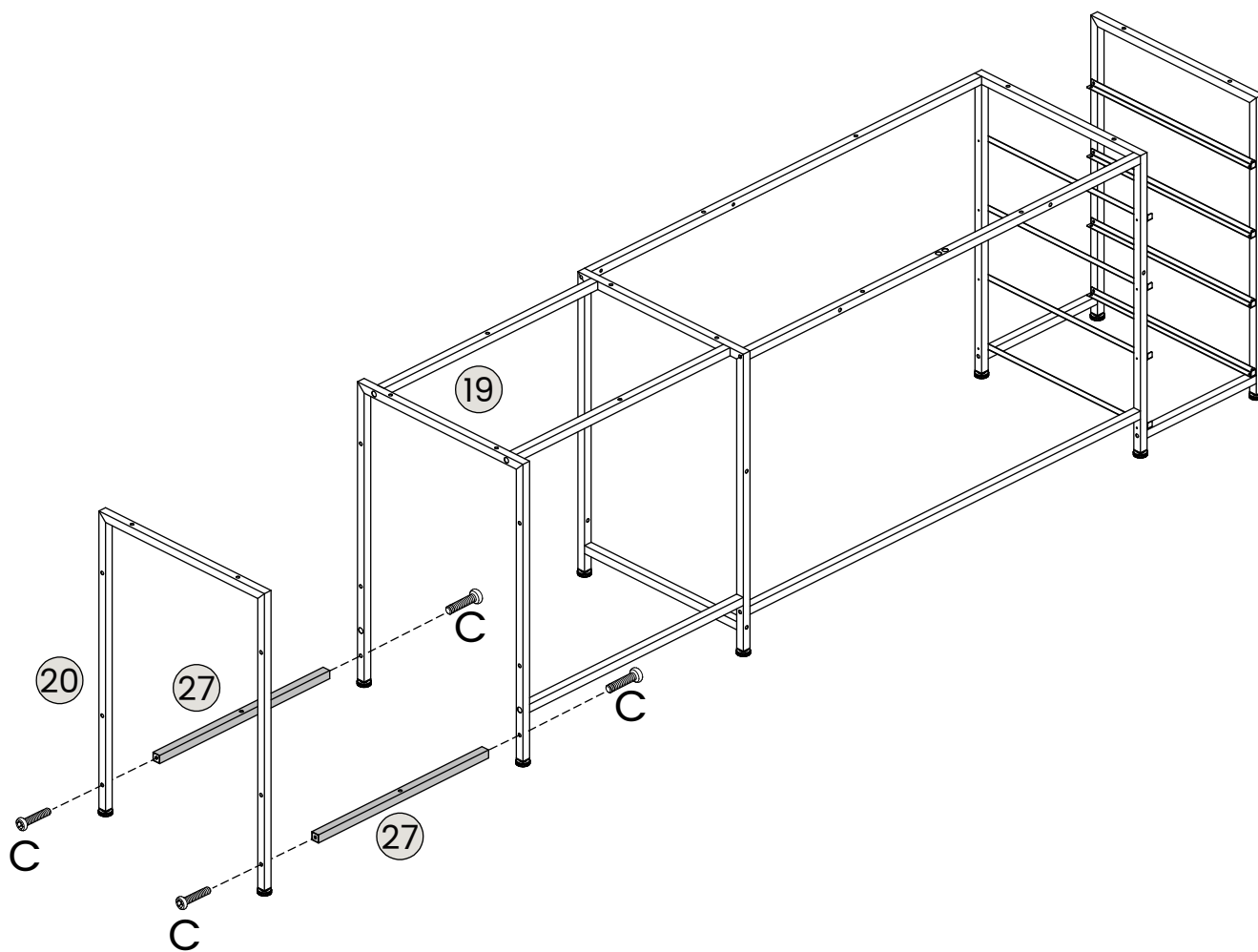


Cx6

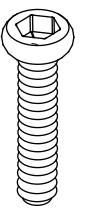


M6X28MM

30



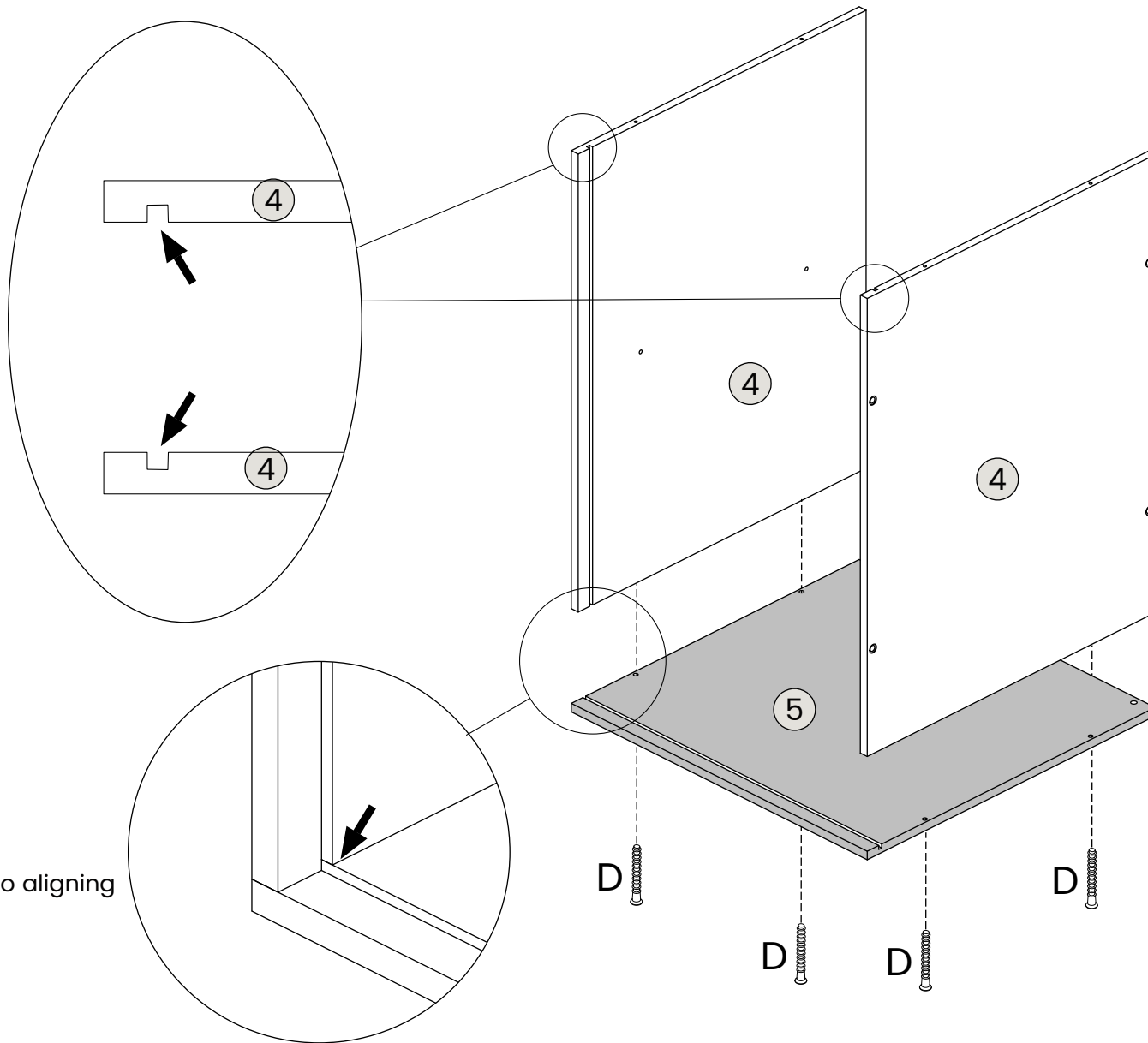
Cx4



M6X28MM

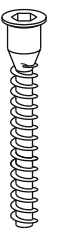
Assembly Instruction

31



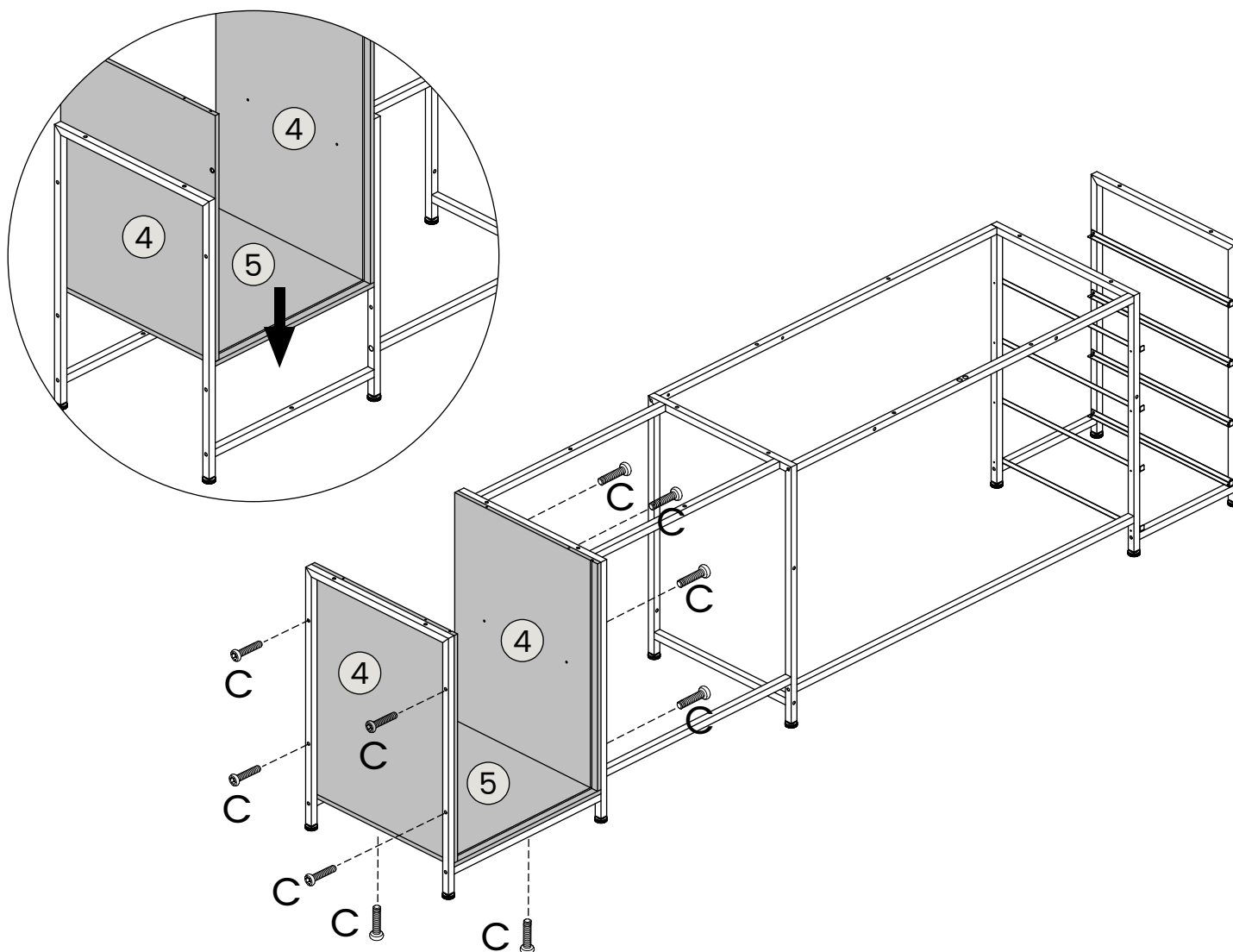
Pay attention to aligning the card slots

Dx4

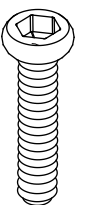


ST5X40MM

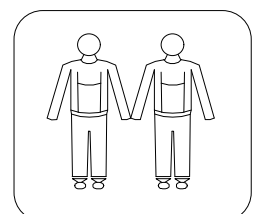
32



Cx10

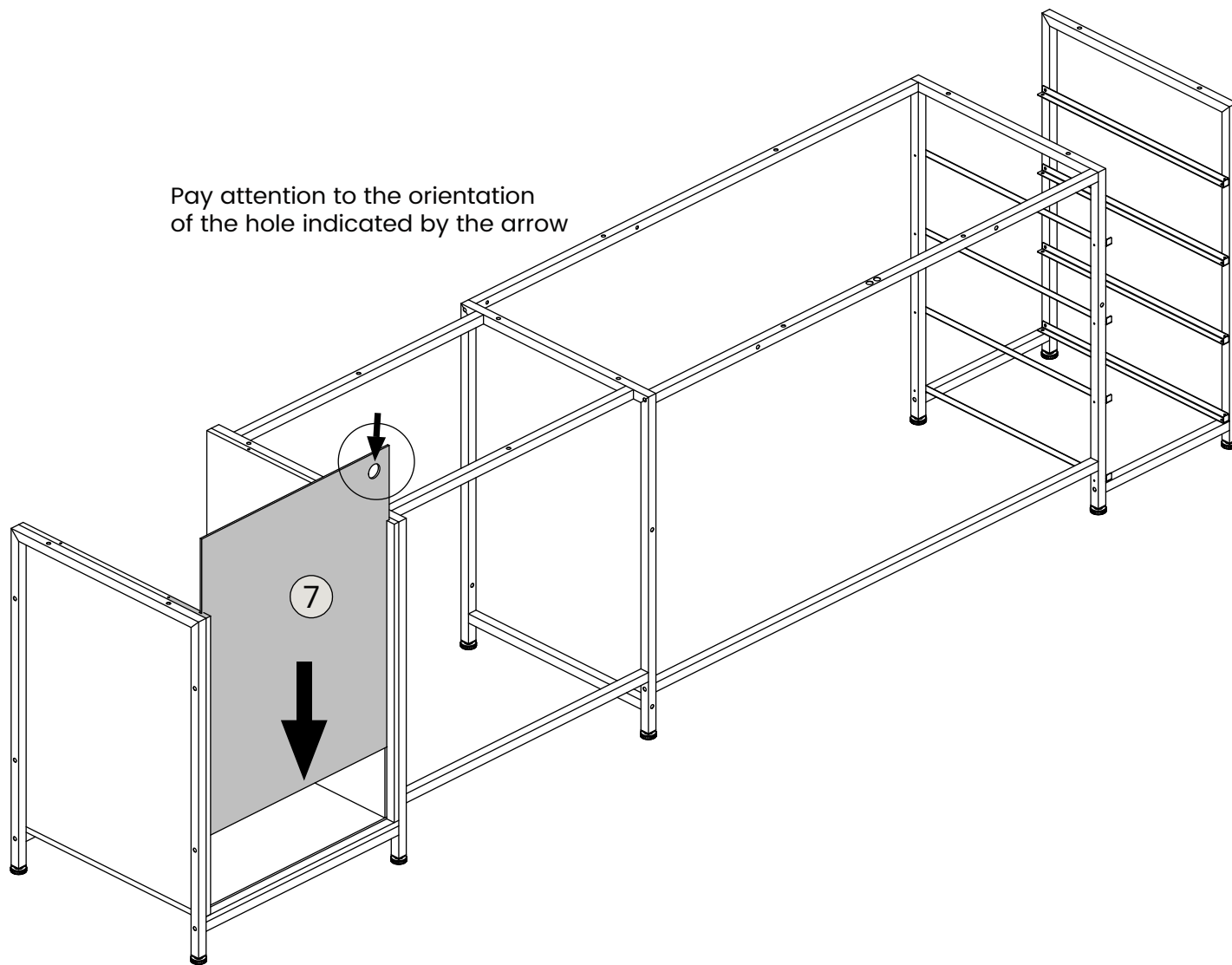


M6X28MM

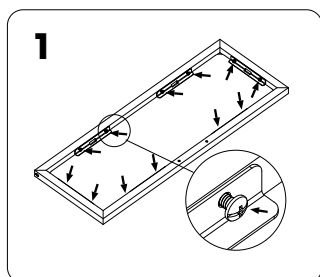


Assembly Instruction

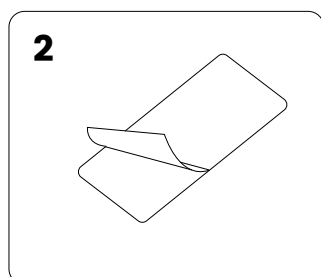
33



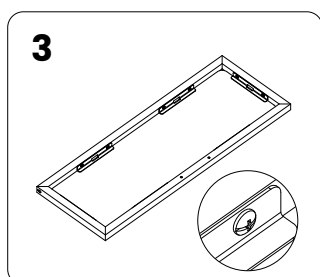
34



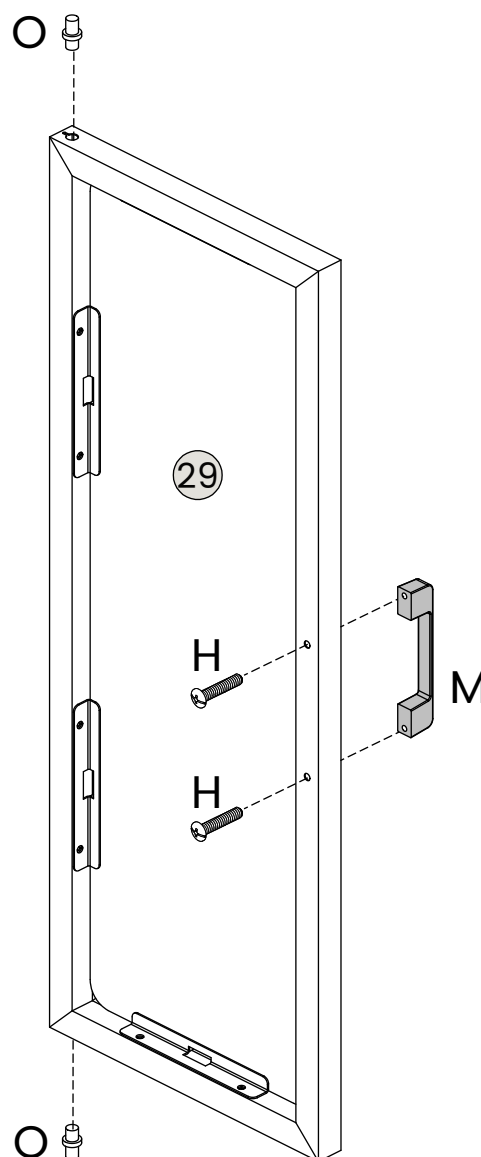
loosen the screw indicated by the arrow



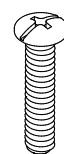
Tear off the protective film on both sides



Tighten all screws

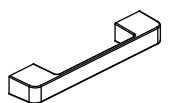


Hx4

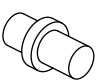


M4X25MM

Mx2



Ox4

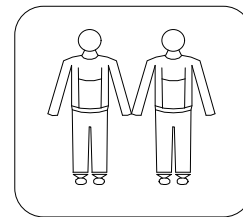
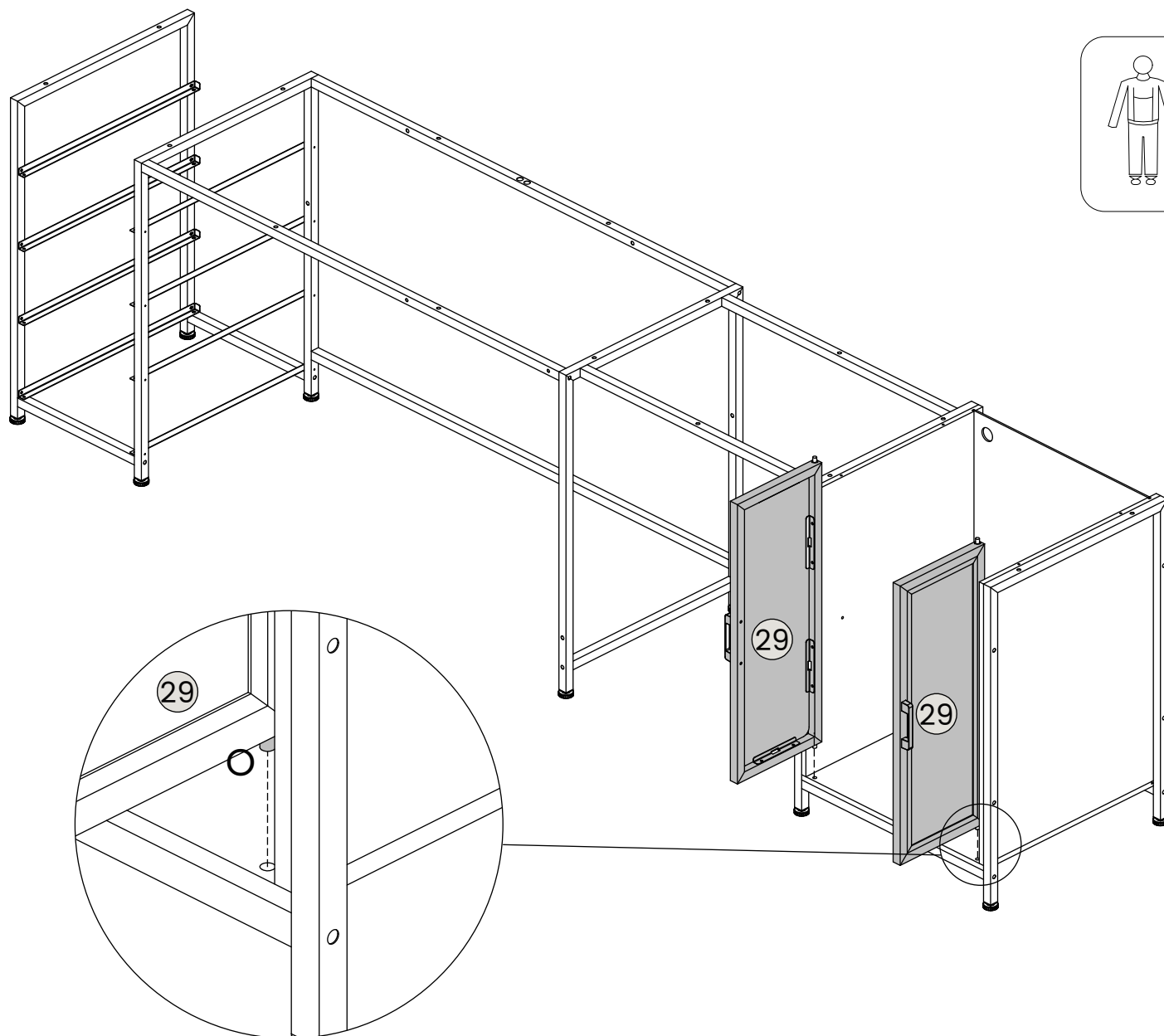


φ8X21MM

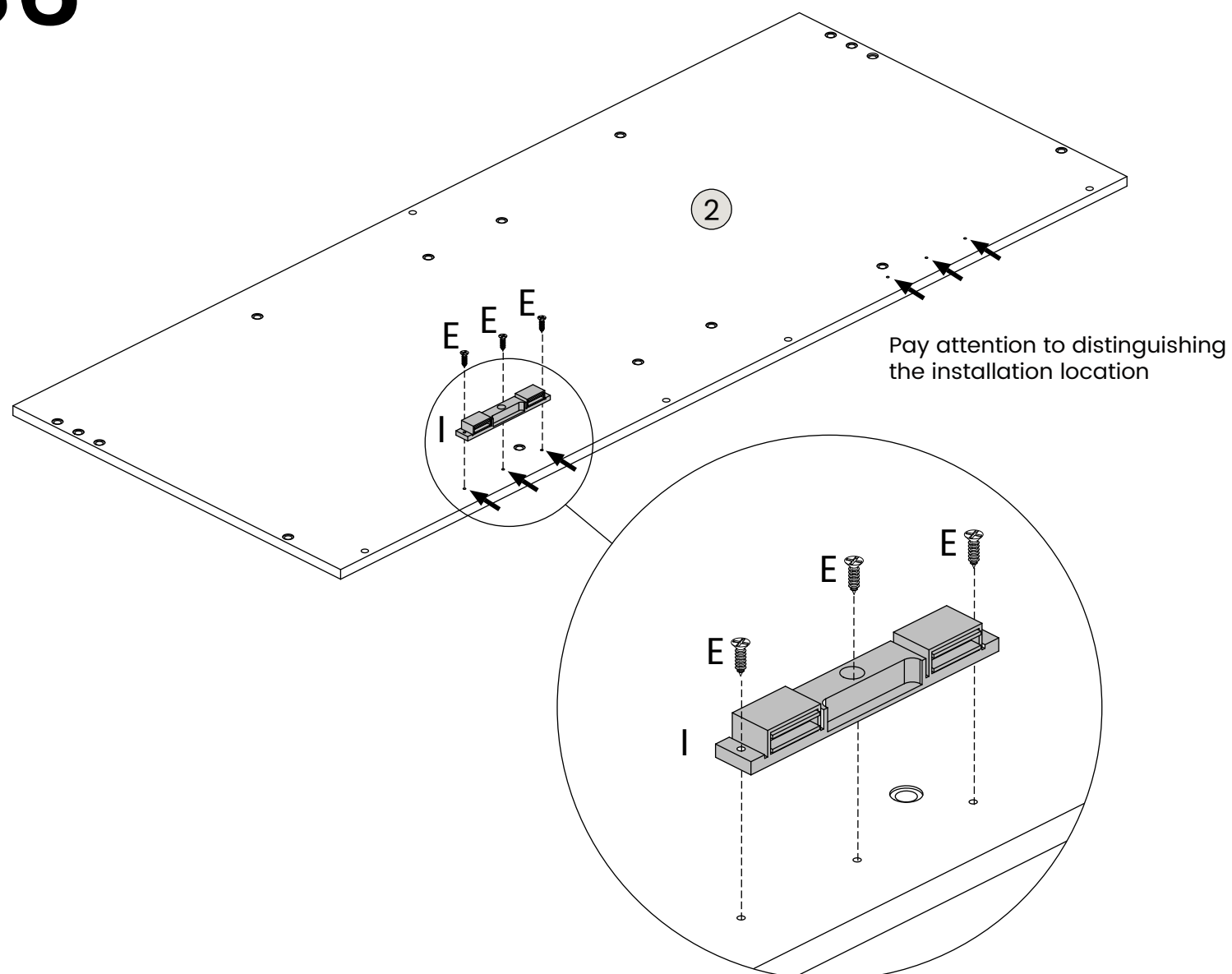
X2

Assembly Instruction

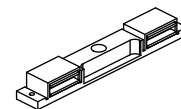
35



36



I x1



E x3

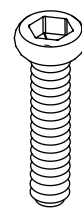


ST4X14MM

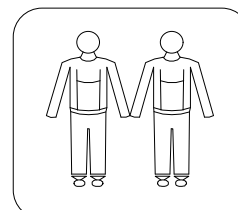
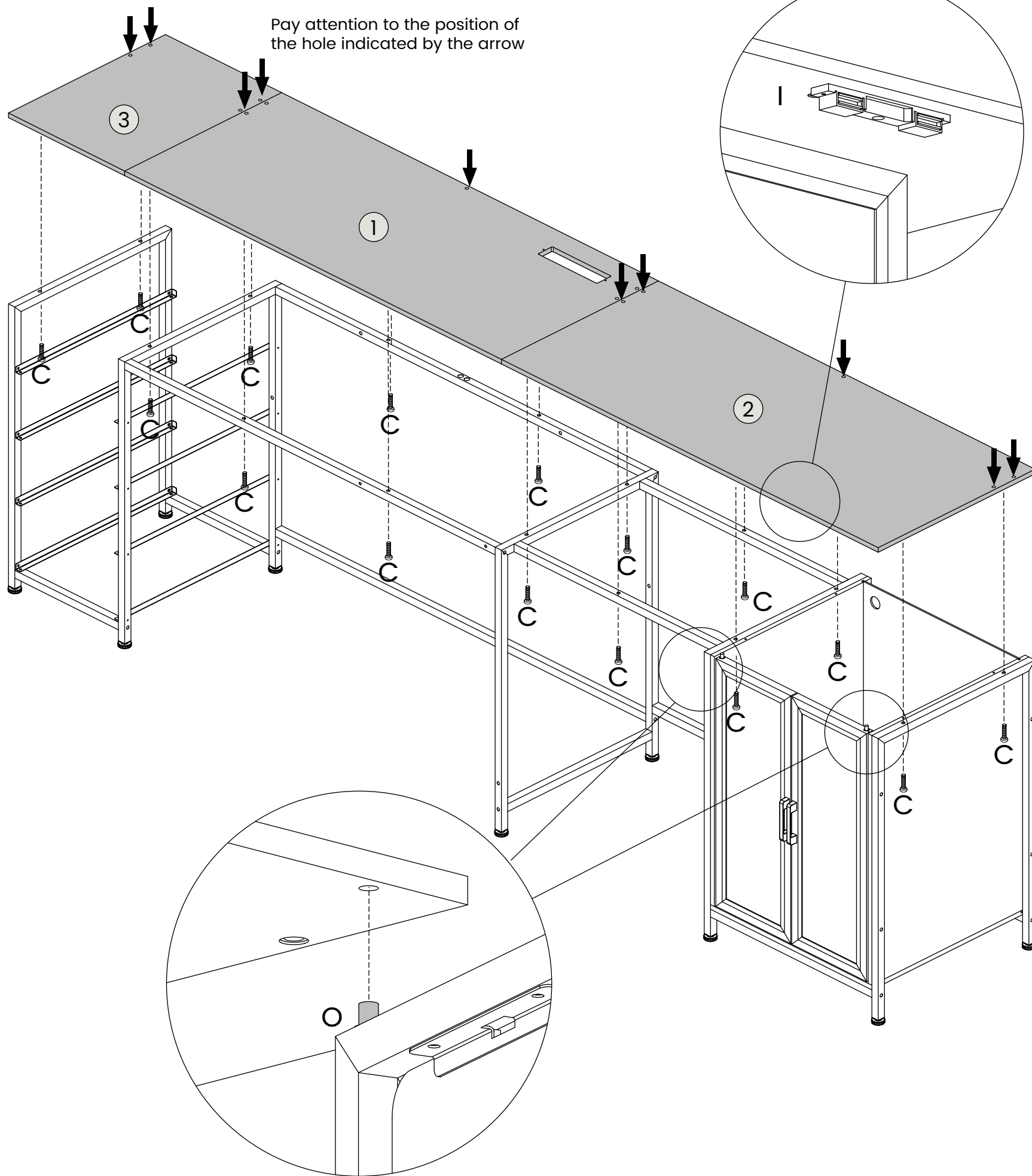
Assembly Instruction

37

Cx16

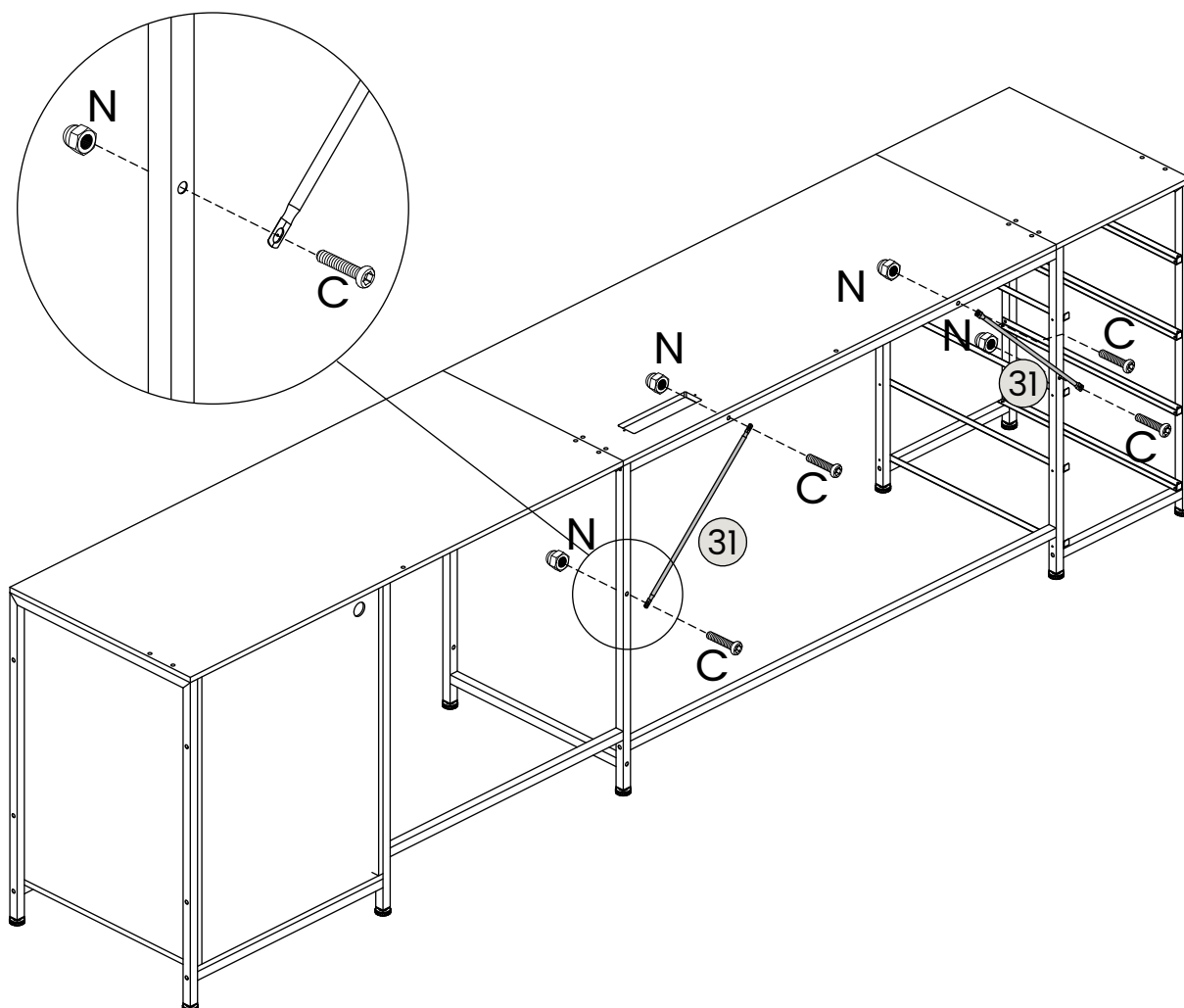


M6X28MM

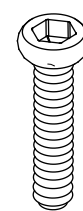


Assembly Instruction

38

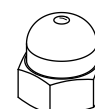


Cx4



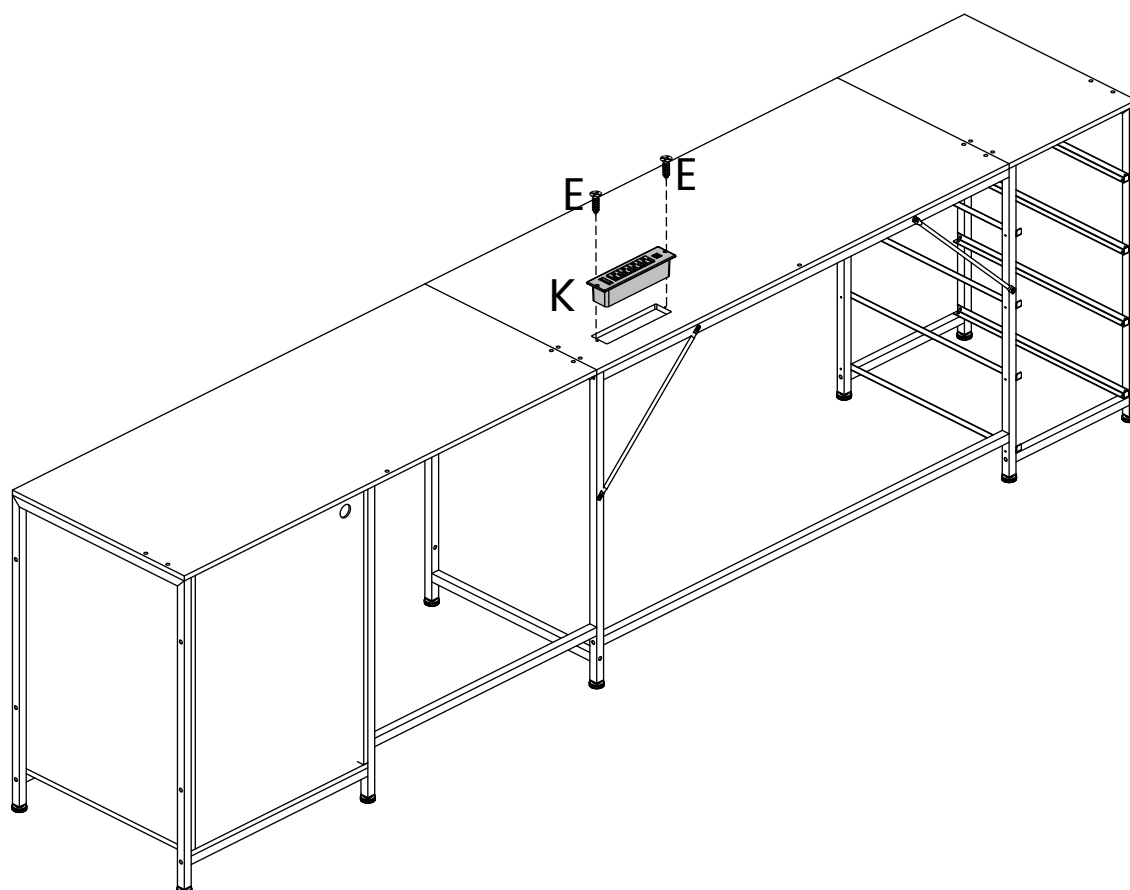
M6X28MM

Nx4



M6

39

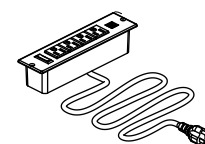


E x2



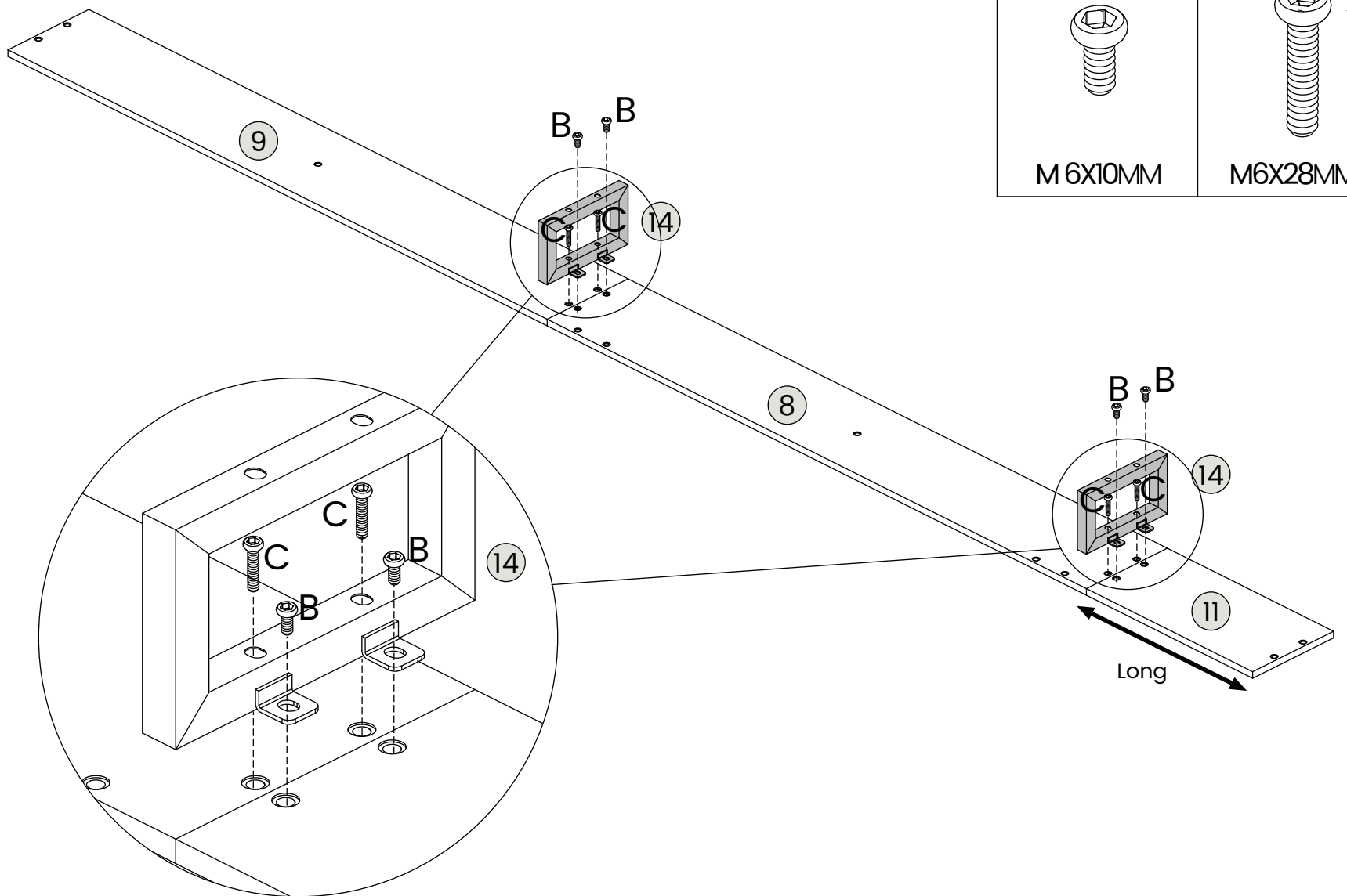
ST4X14MM

Kx1



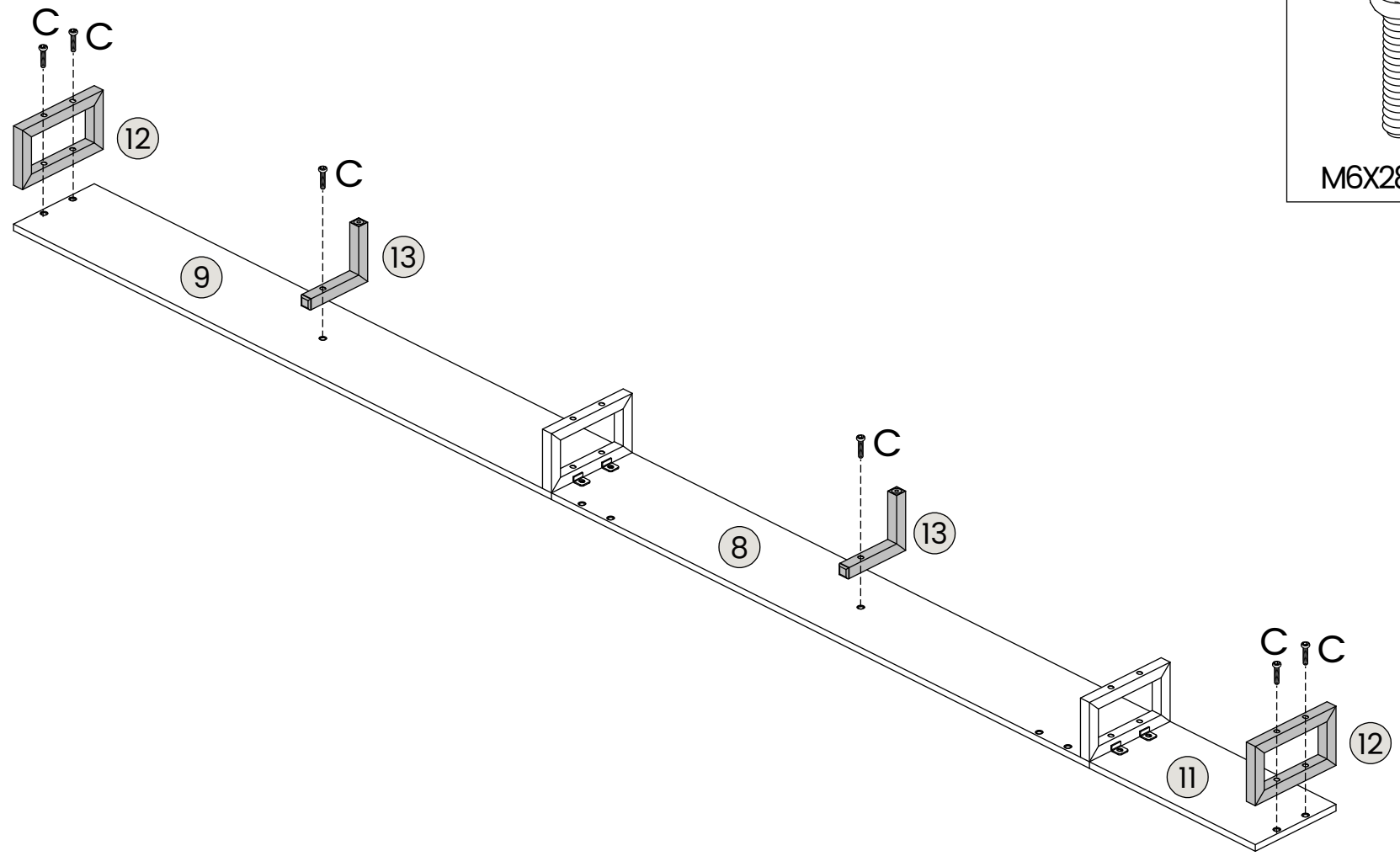
Assembly Instruction

40



B x4	C x4
M 6X10MM	M6X28MM

41

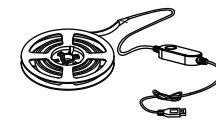


C x6
M6X28MM

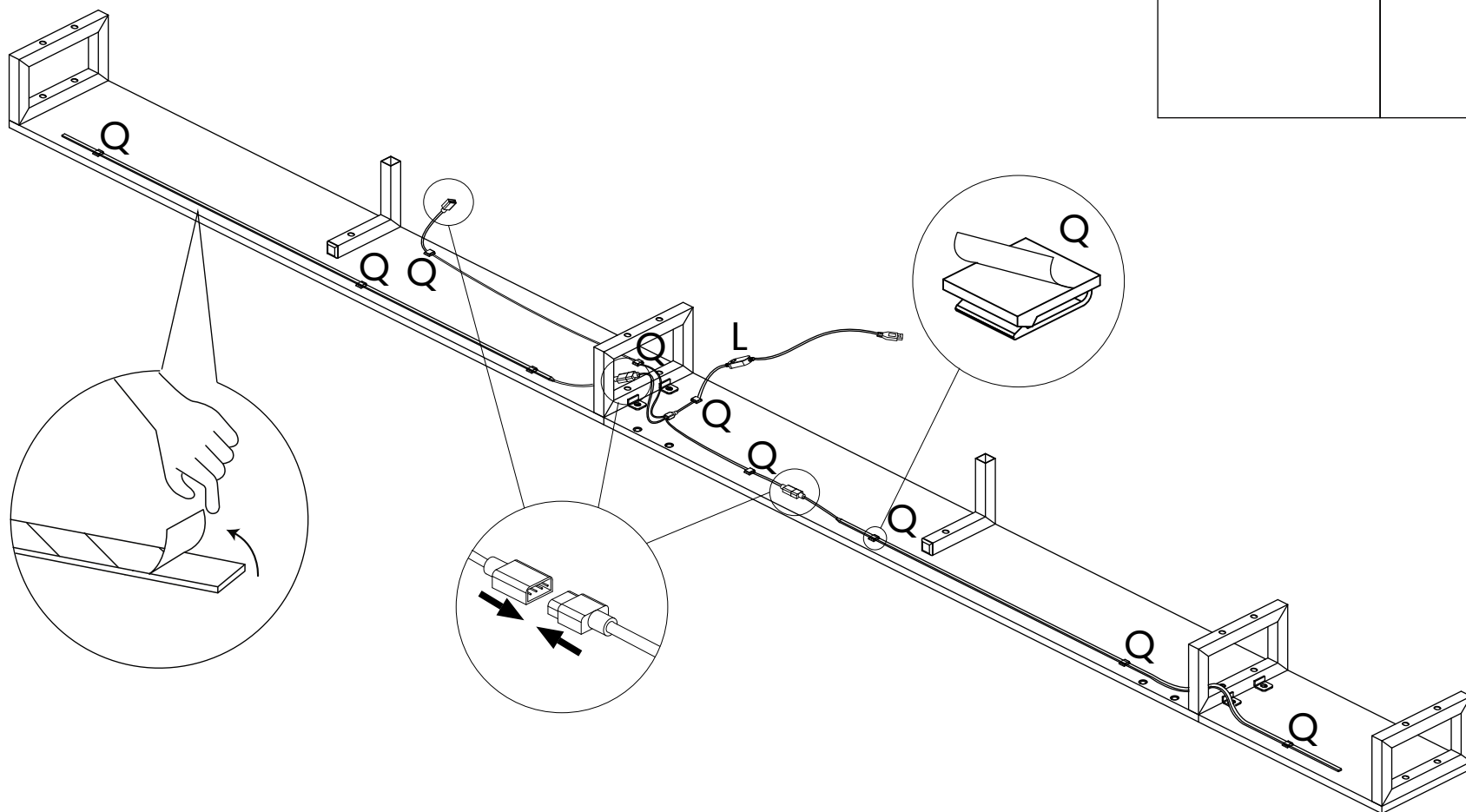
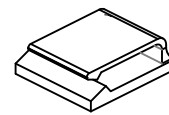
Assembly Instruction

42

L x1

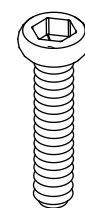


Q x10

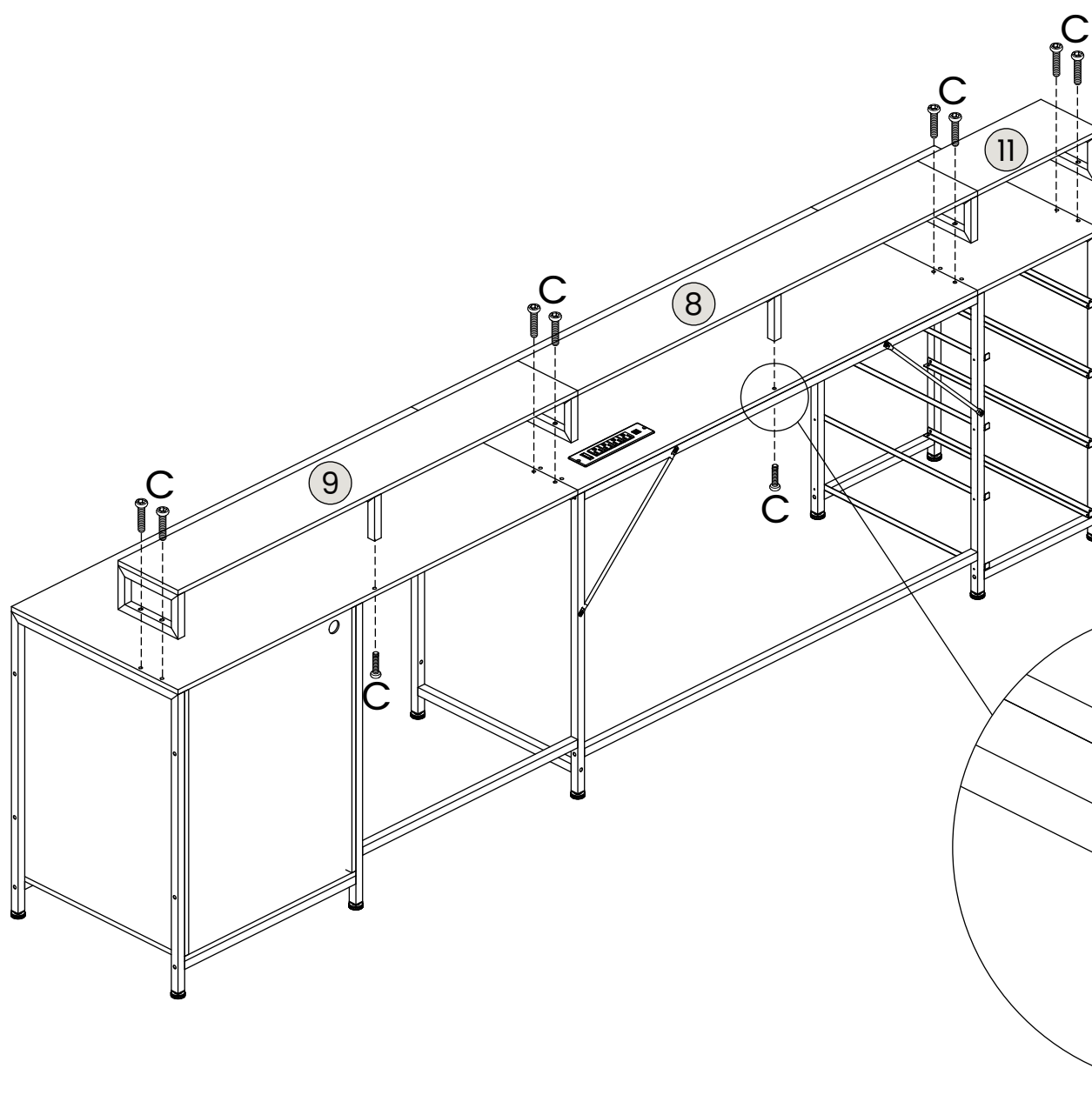


43

C x10



M6X28MM



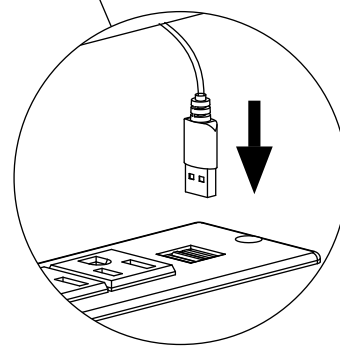
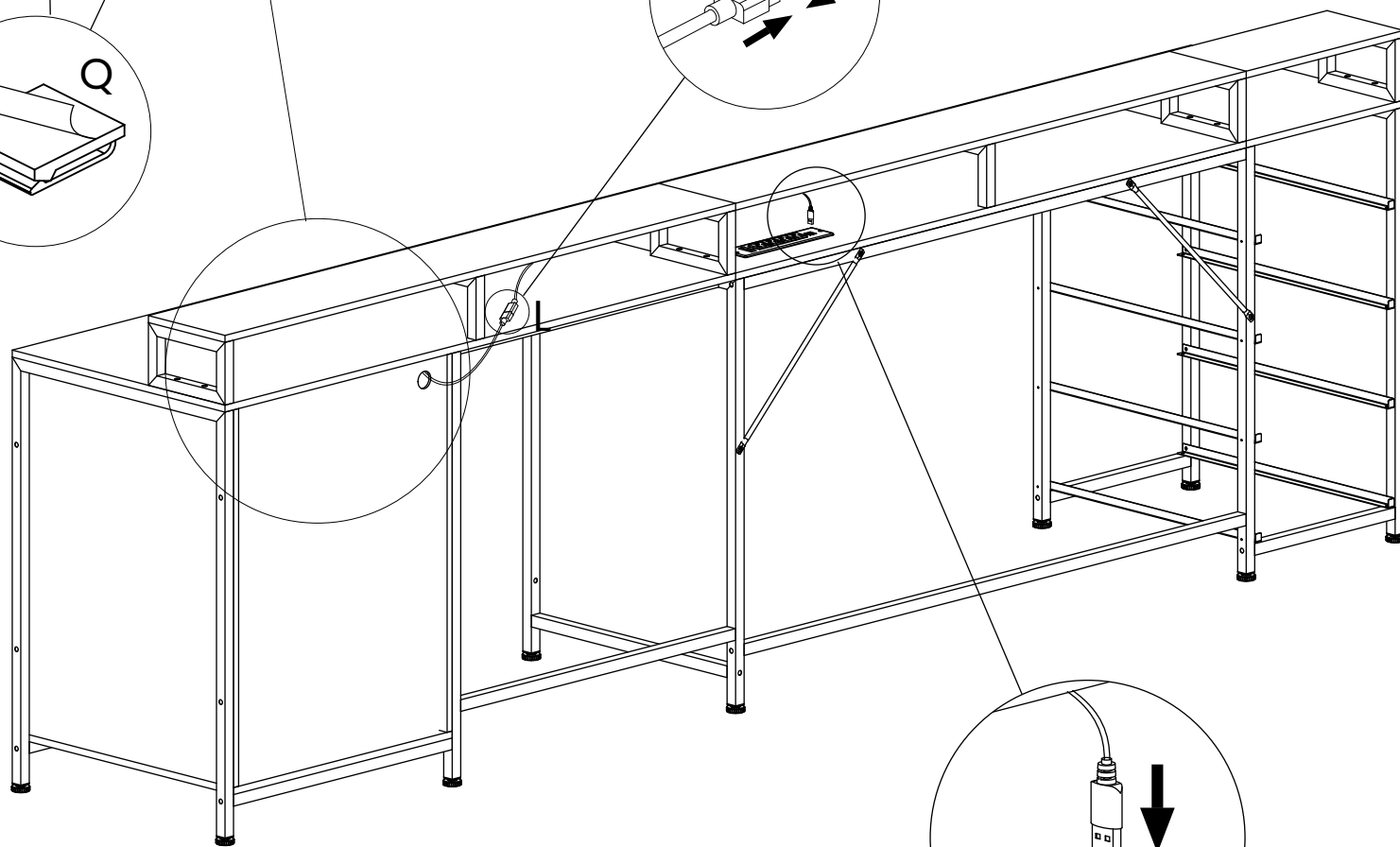
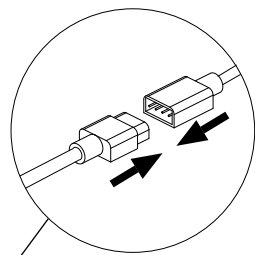
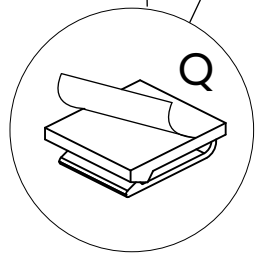
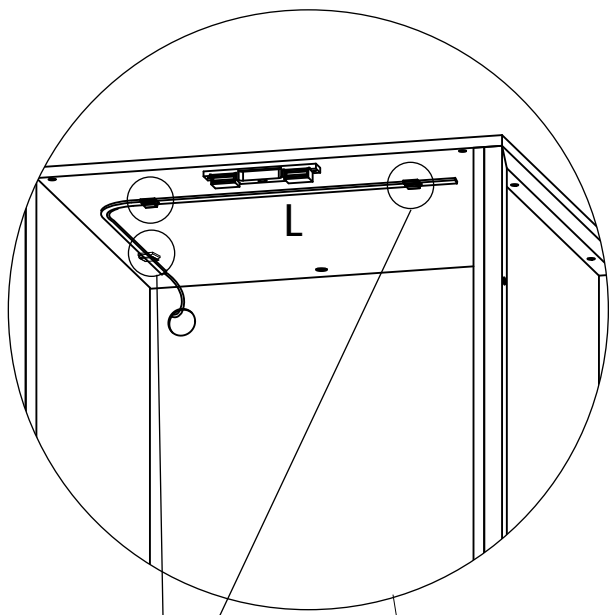
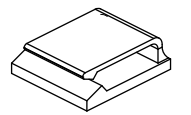
Assembly Instruction

44

L x1



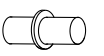
Qx3



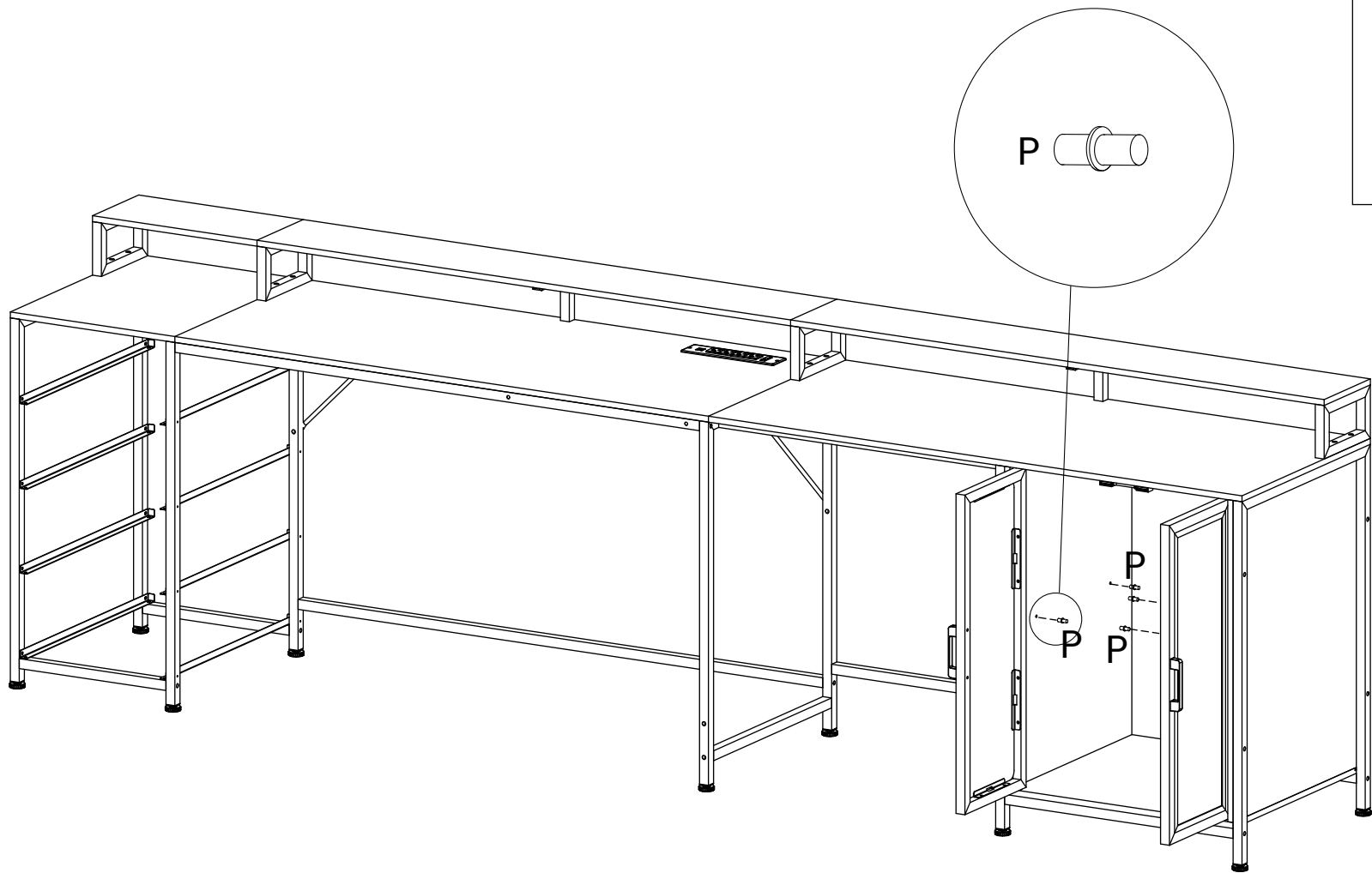
Assembly Instruction

45

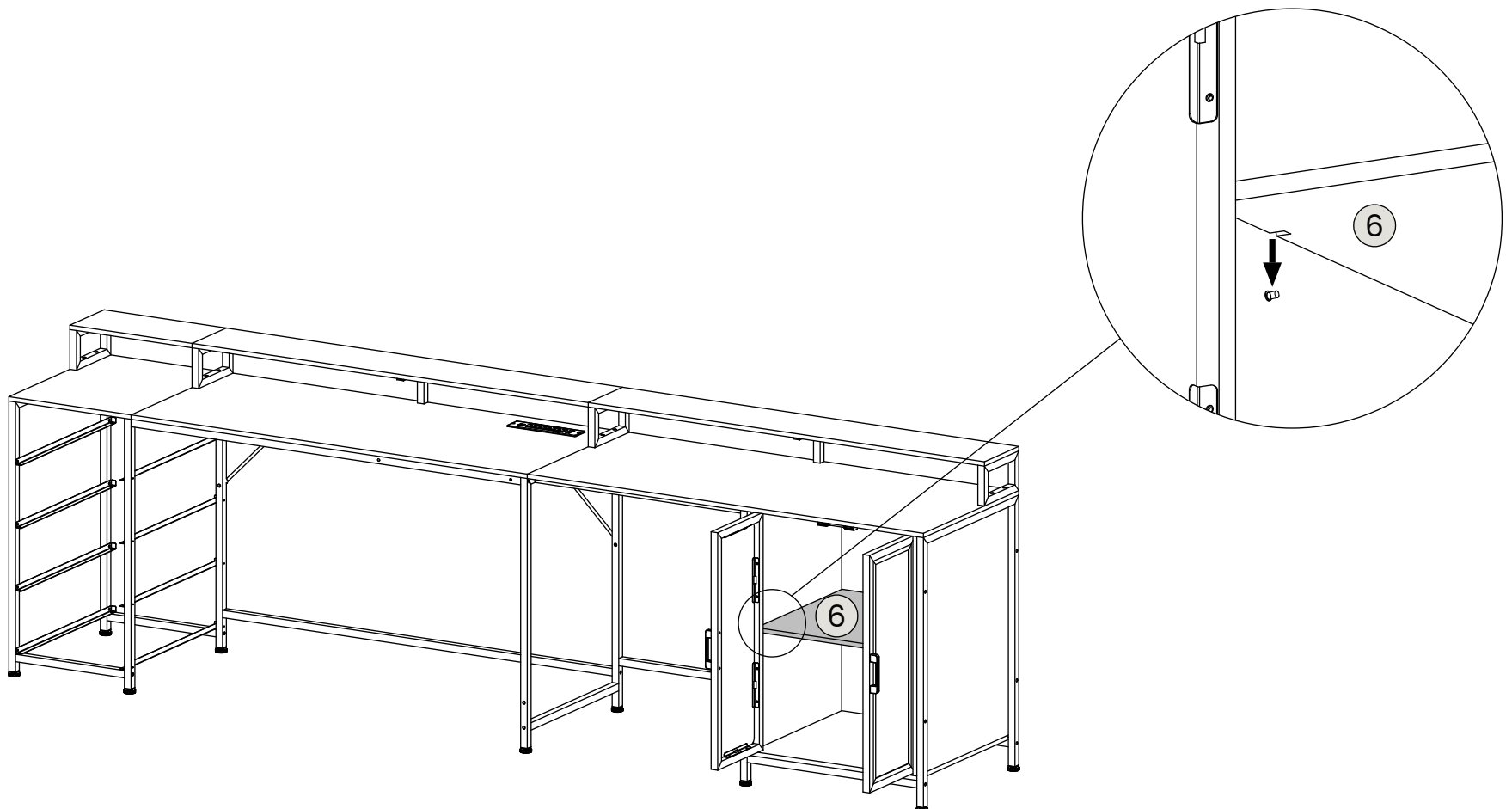
P x4



φ5X15MM

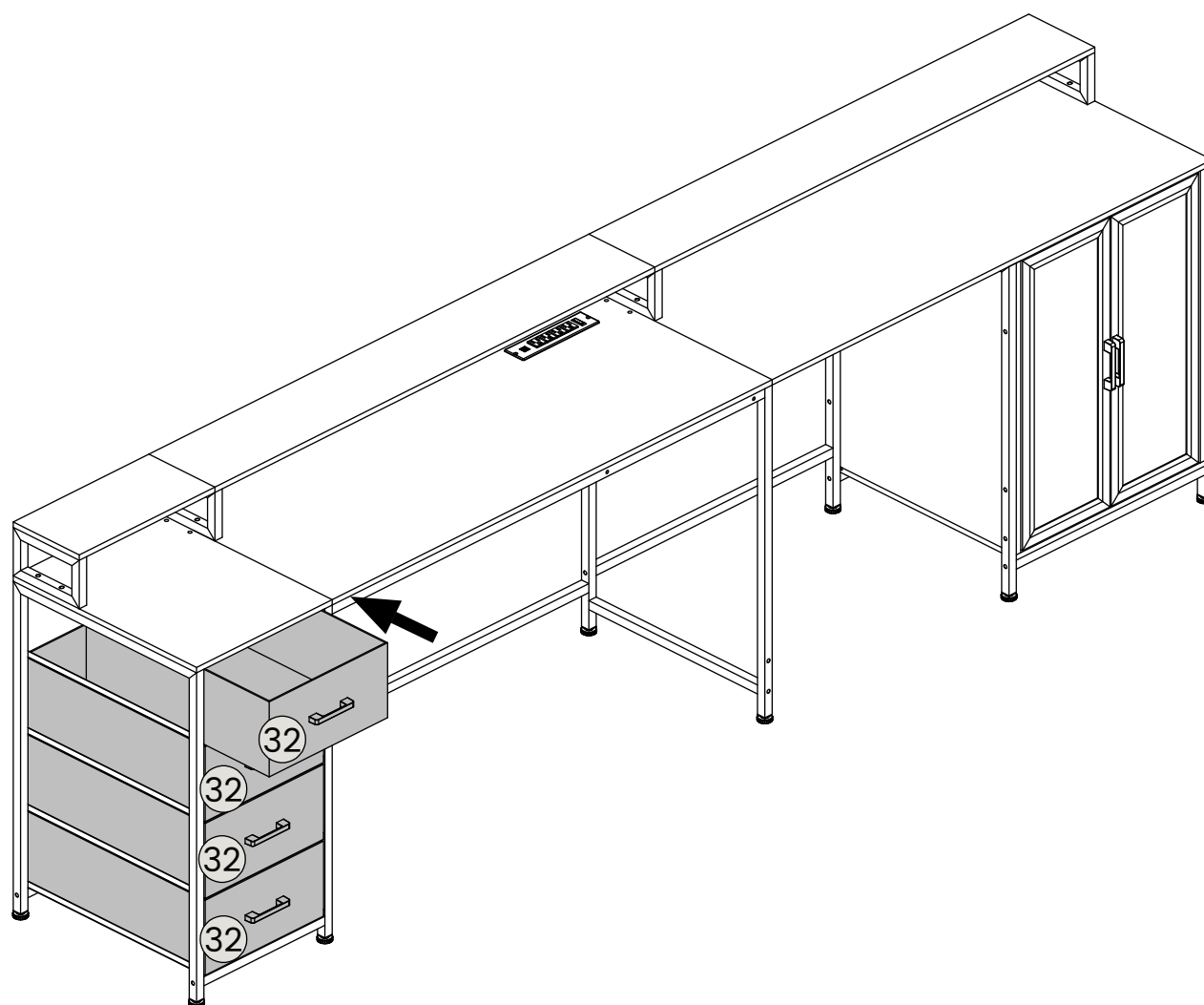


46

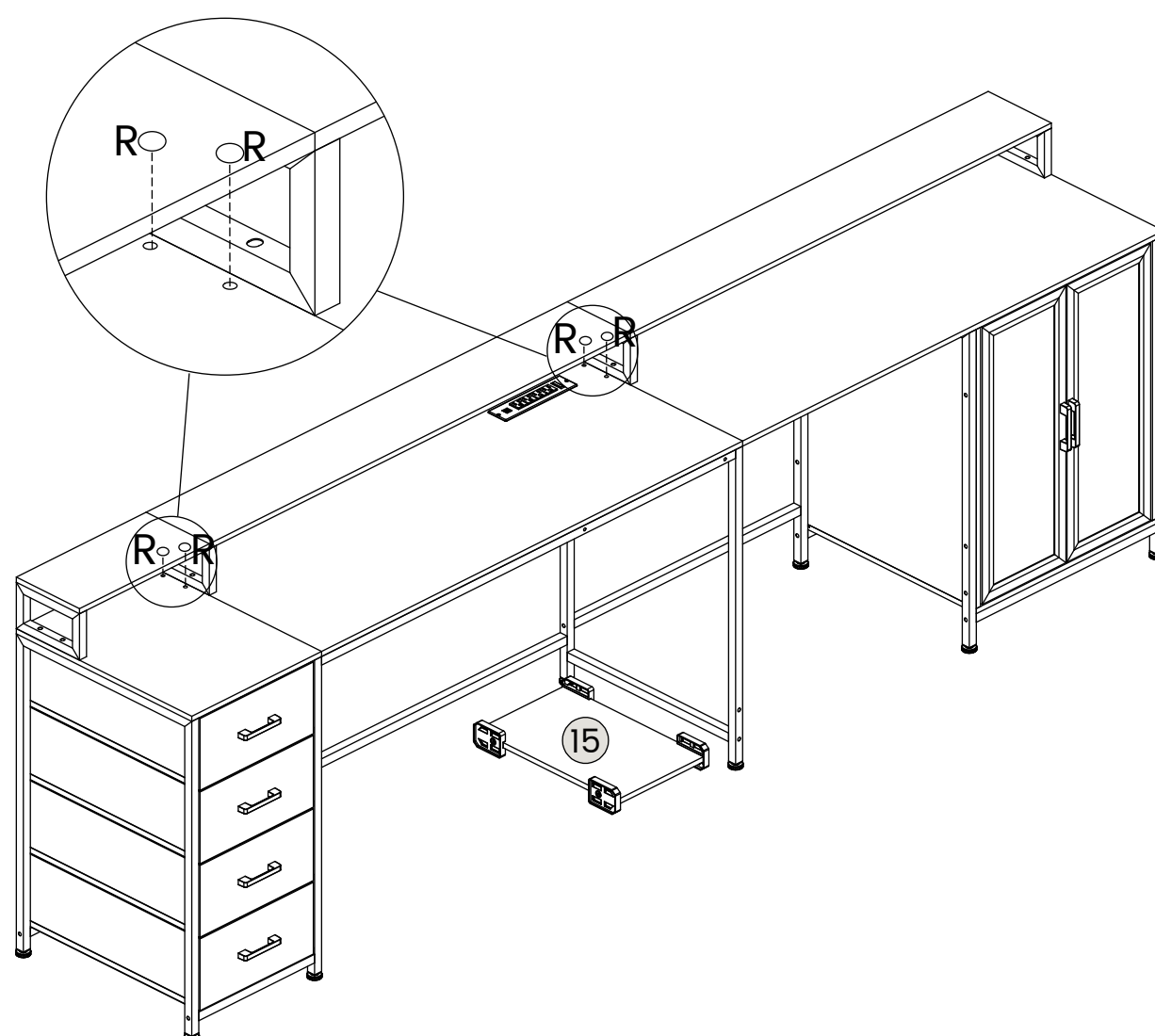


Assembly Instruction

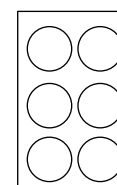
47



48



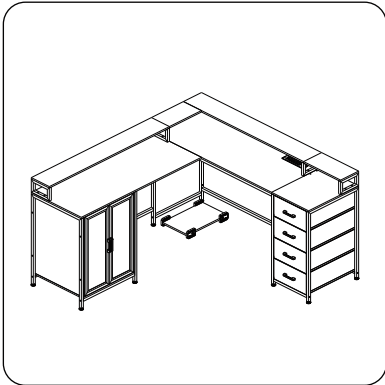
R x1



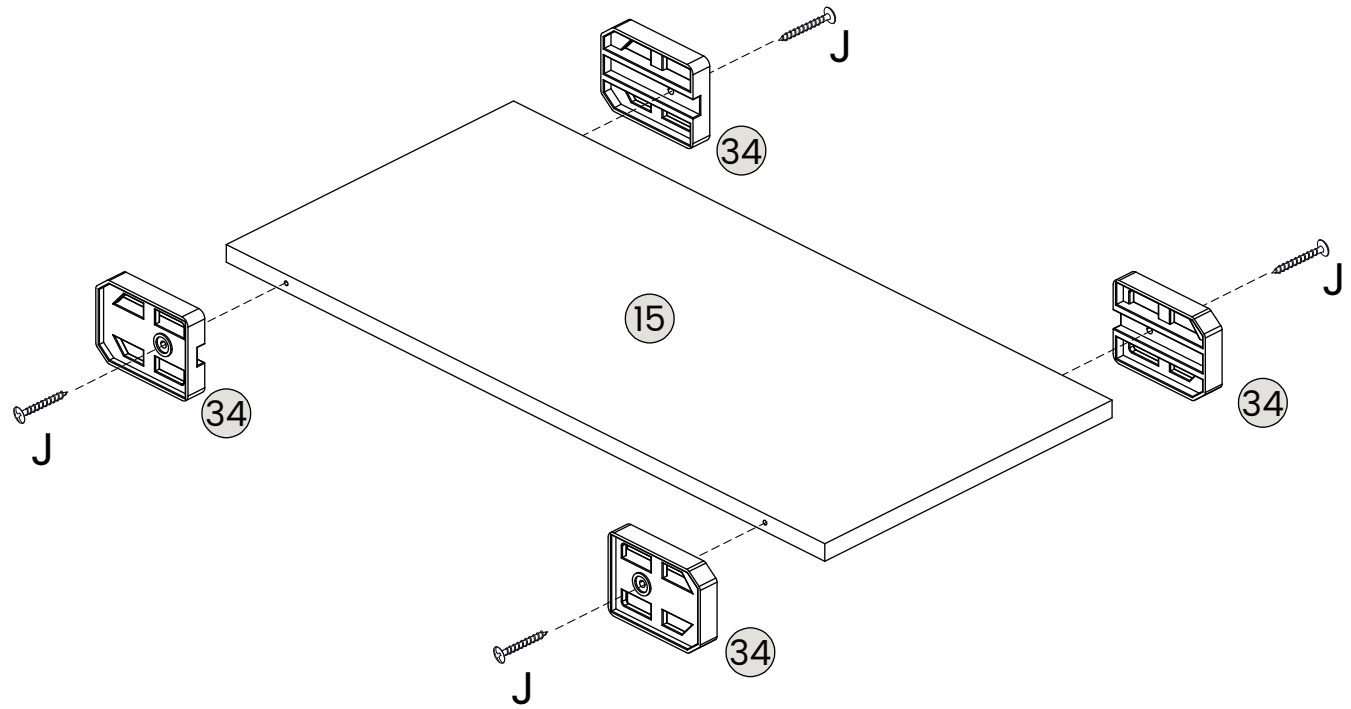
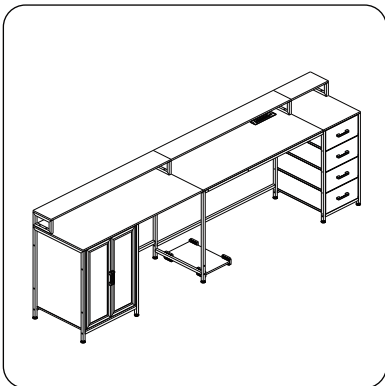
Assembly Instruction

49

Option C:



Option D:

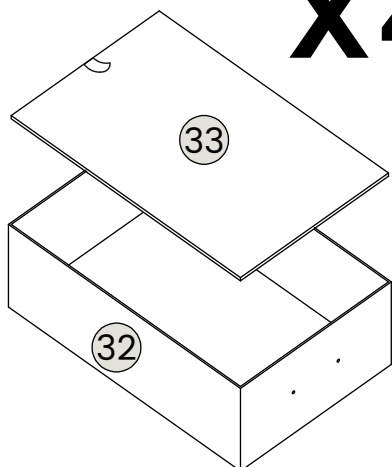
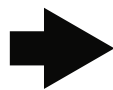
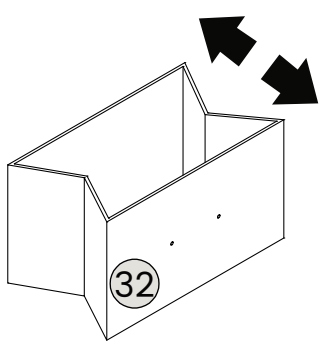


J x4

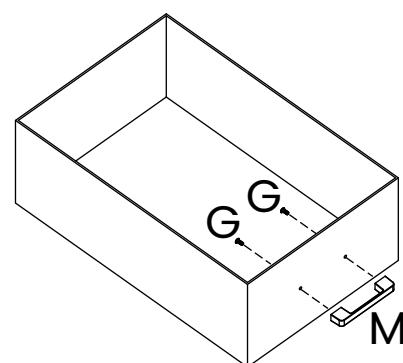


ST4X25MM

50



X4

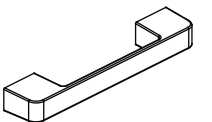


Gx8



M4X6MM

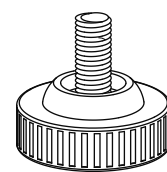
Mx4



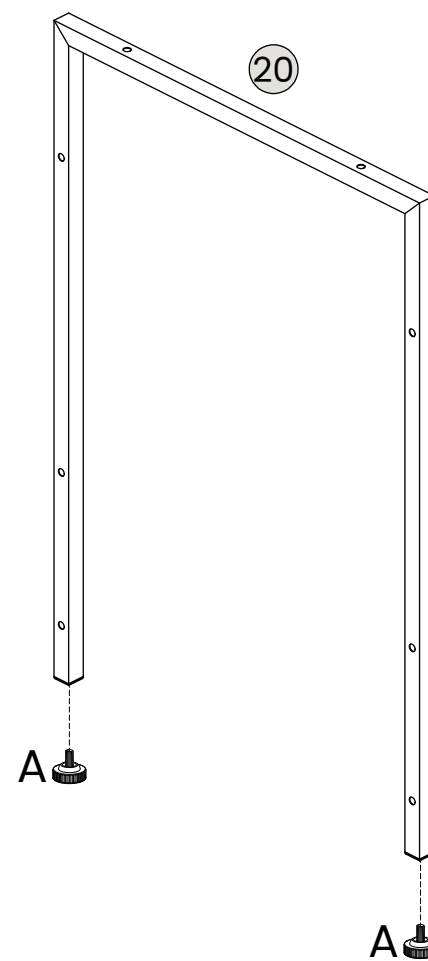
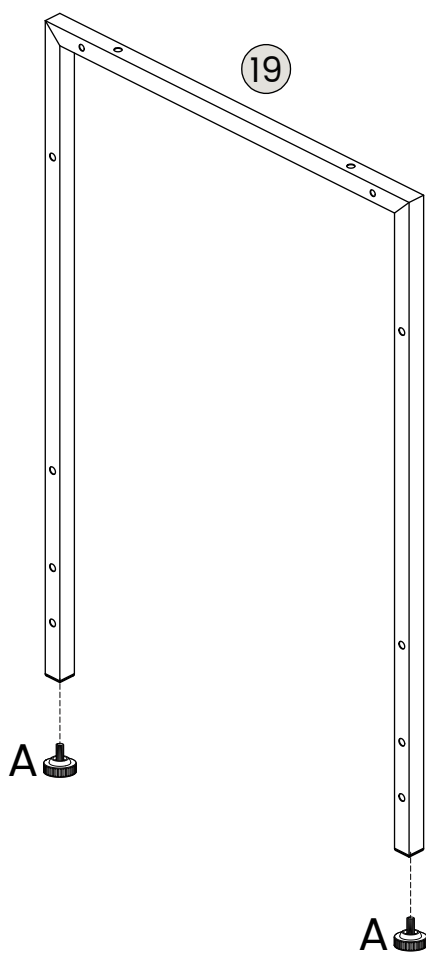
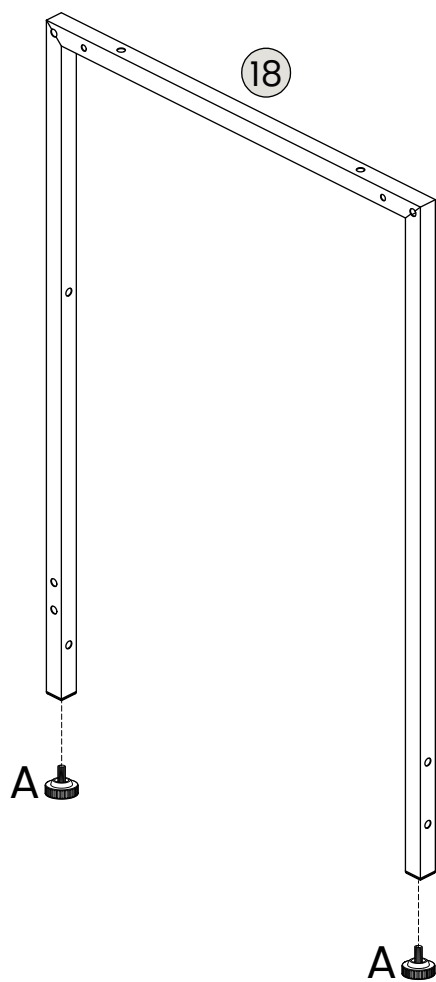
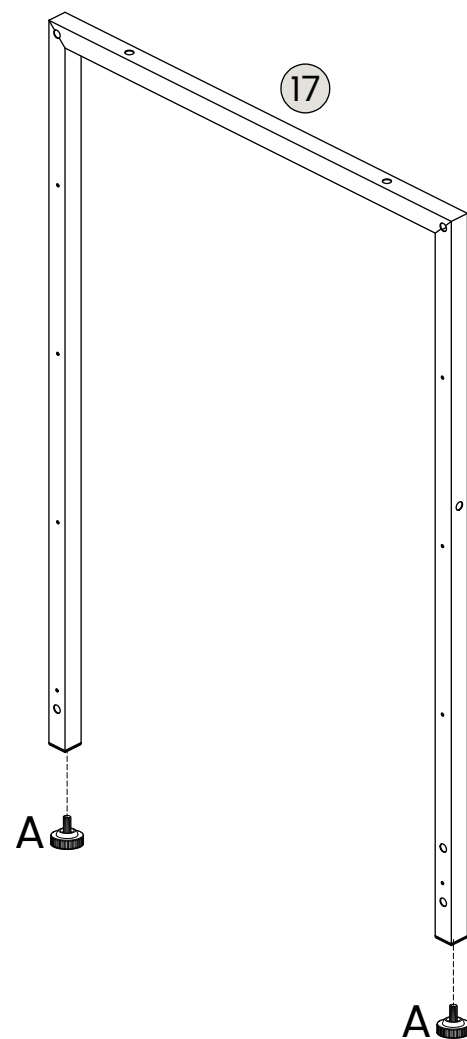
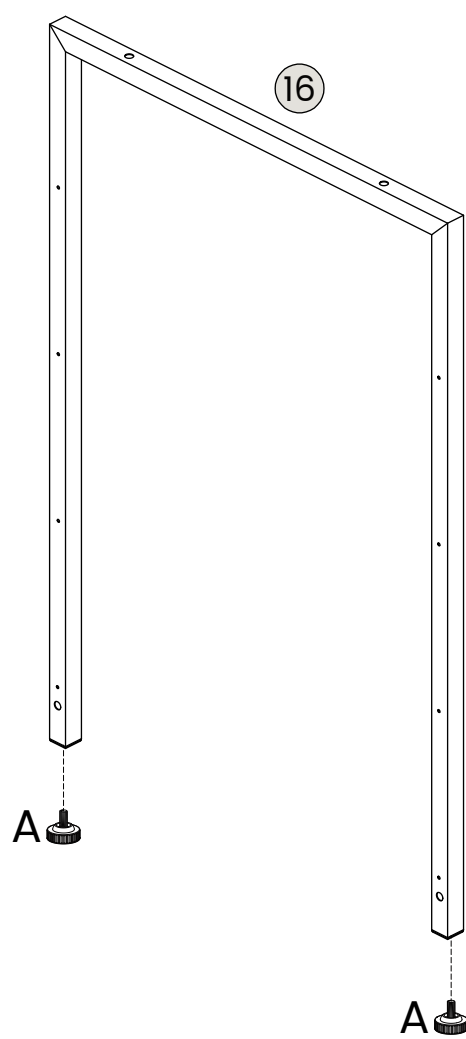
Assembly Instruction

51

Ax10

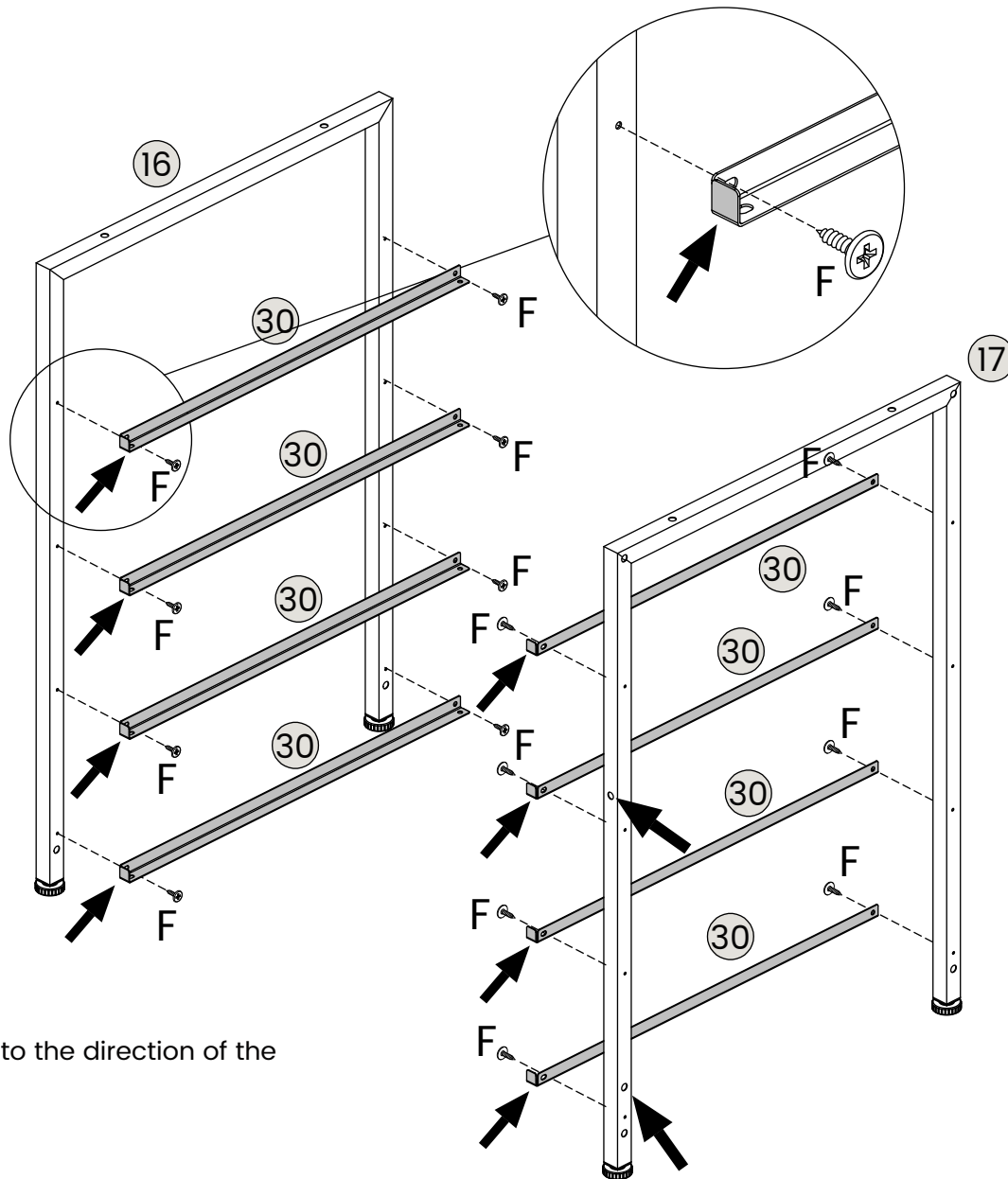


M6

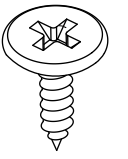


Assembly Instruction

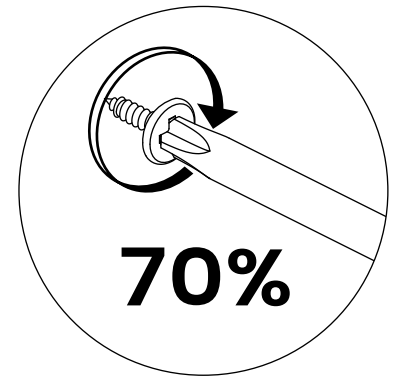
52



F x16



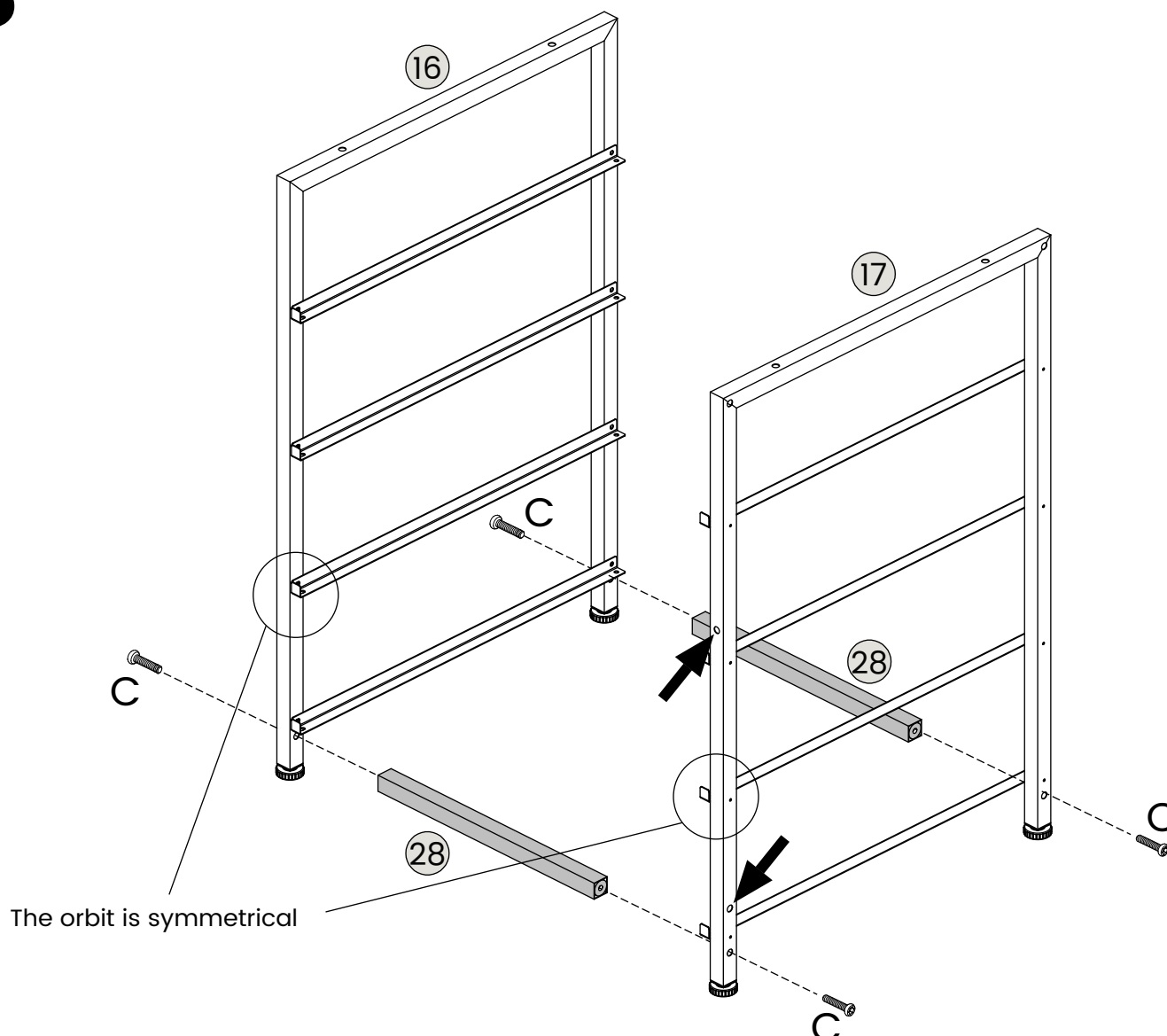
ST4X10MM



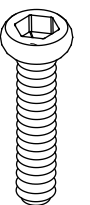
Tighten the F screw by 70%

Pay attention to the direction of the track stopper

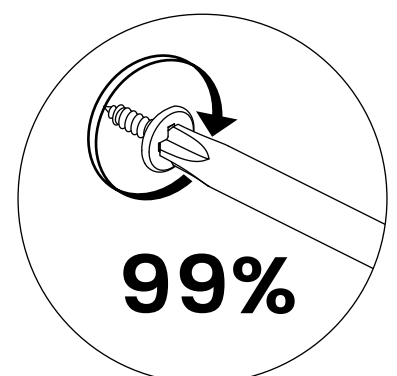
53



Cx4



M6X28MM

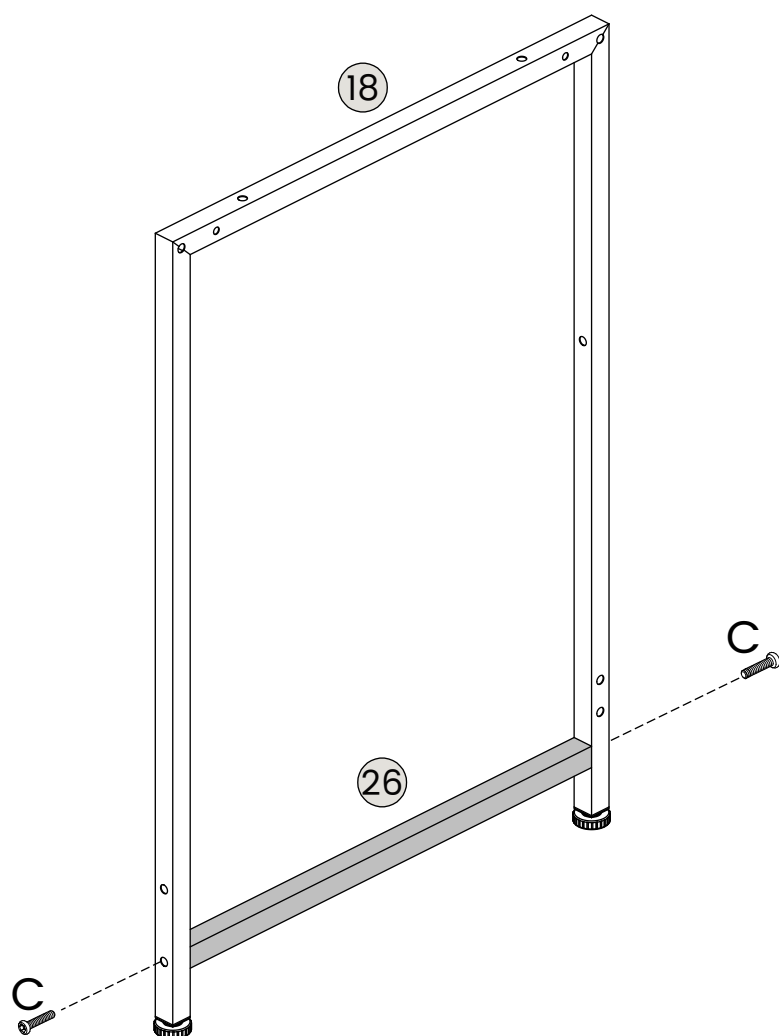


Tighten the F screw by 99%

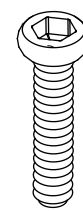
The orbit is symmetrical

Assembly Instruction

54

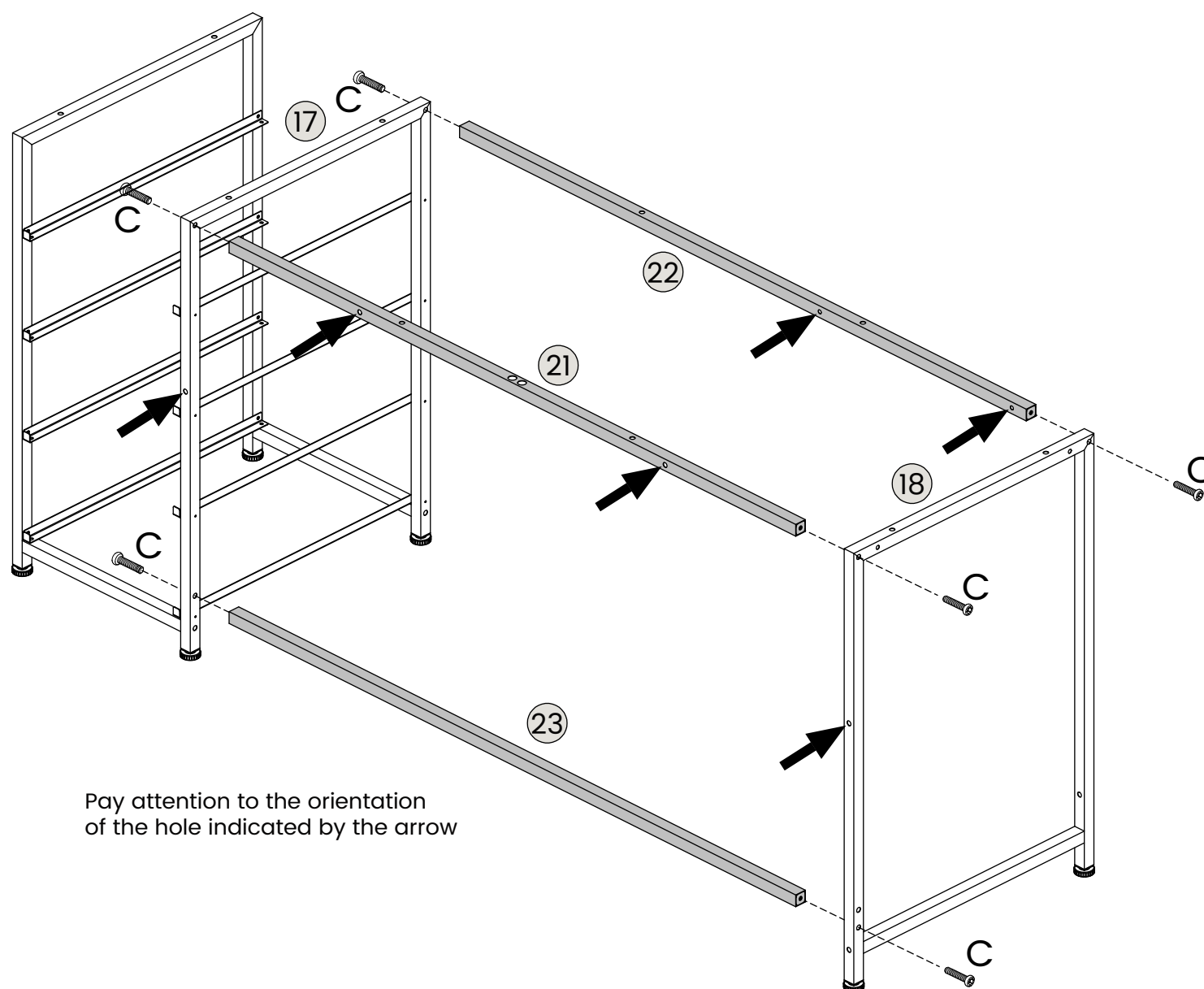


Cx2

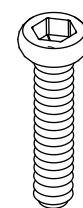


M6X28MM

55



Cx6



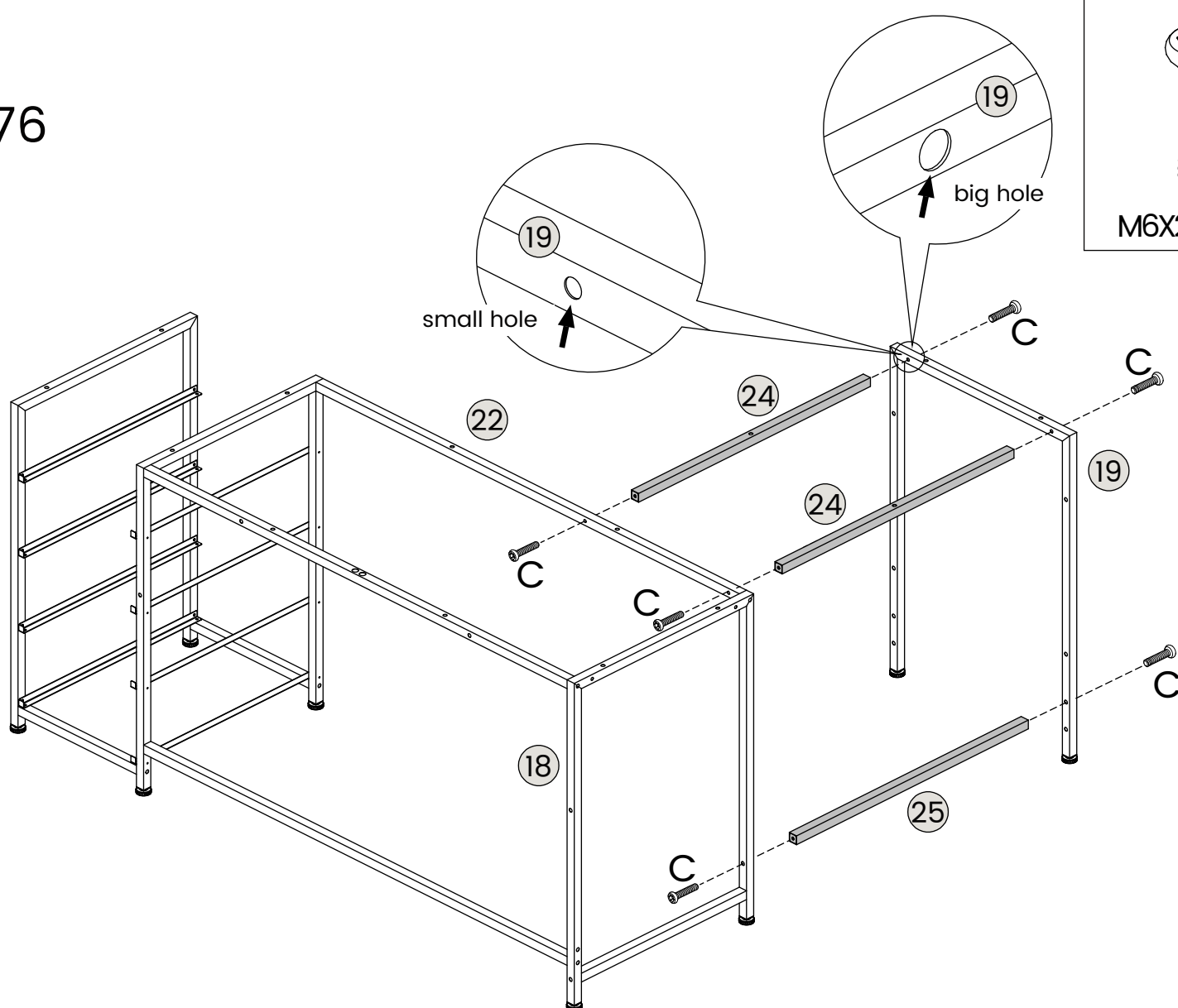
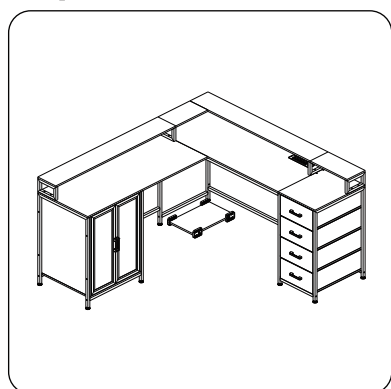
M6X28MM

Pay attention to the orientation
of the hole indicated by the arrow

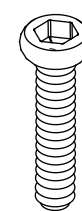
Assembly Instruction

56

Option C:56-76

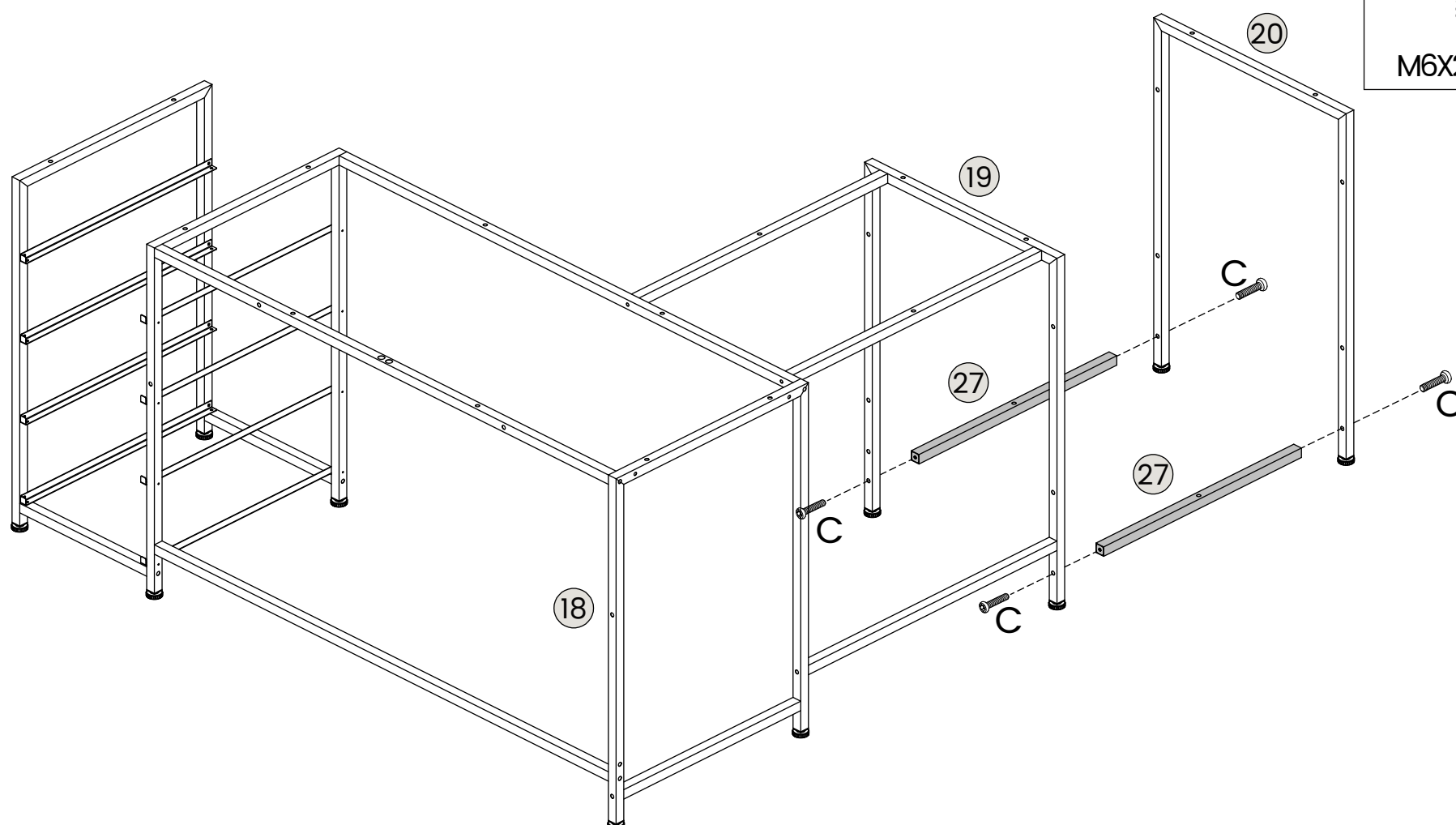


Cx6

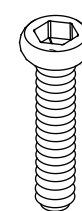


M6X28MM

57



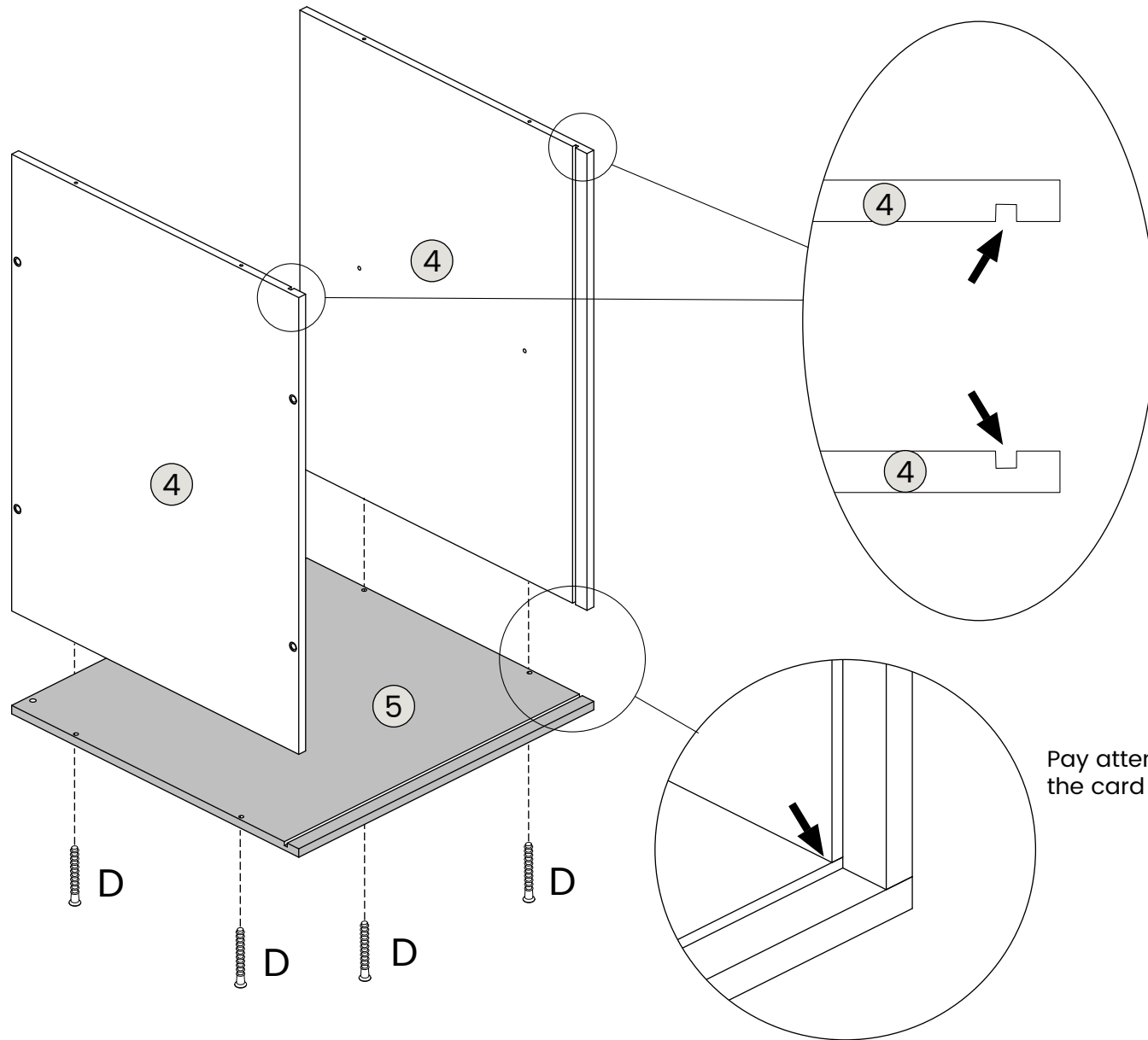
Cx4



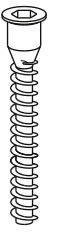
M6X28MM

Assembly Instruction

58

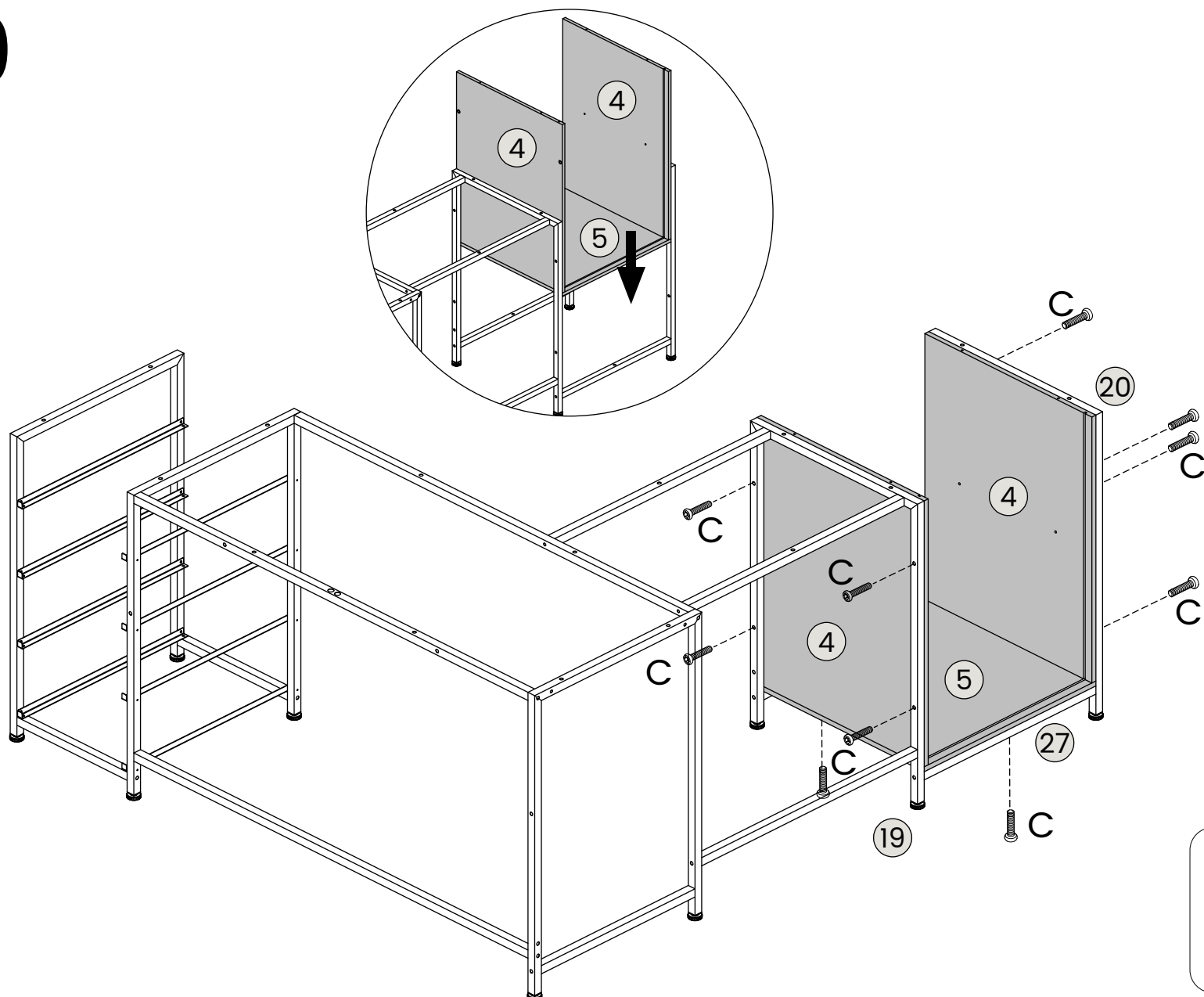


Dx4

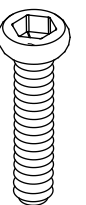


ST5X40MM

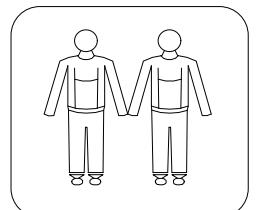
59



Cx10

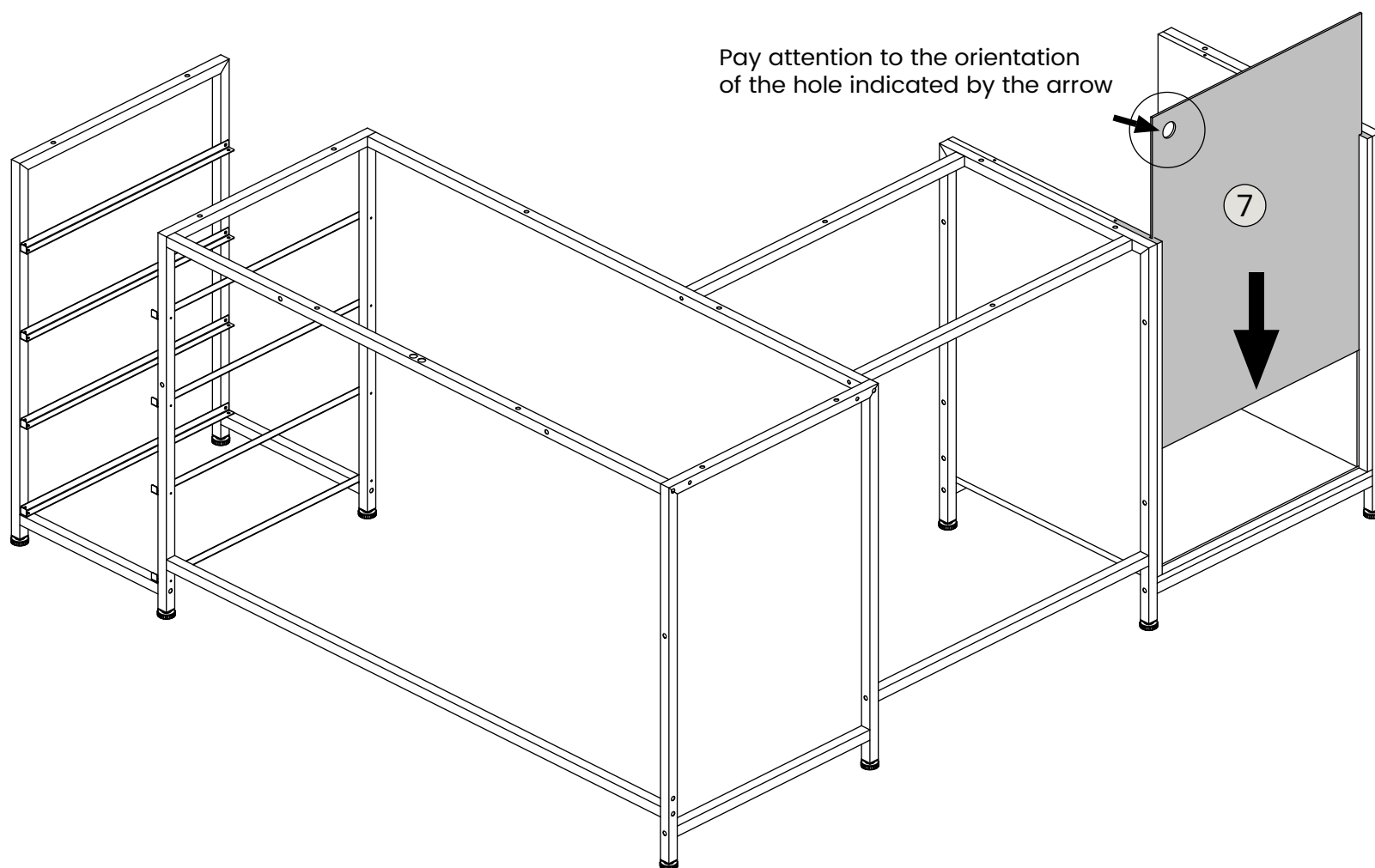


M6X28MM

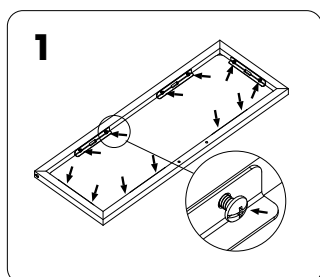


Assembly Instruction

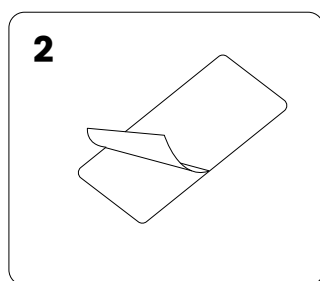
60



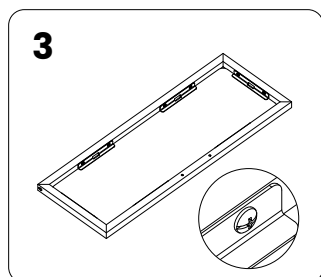
61



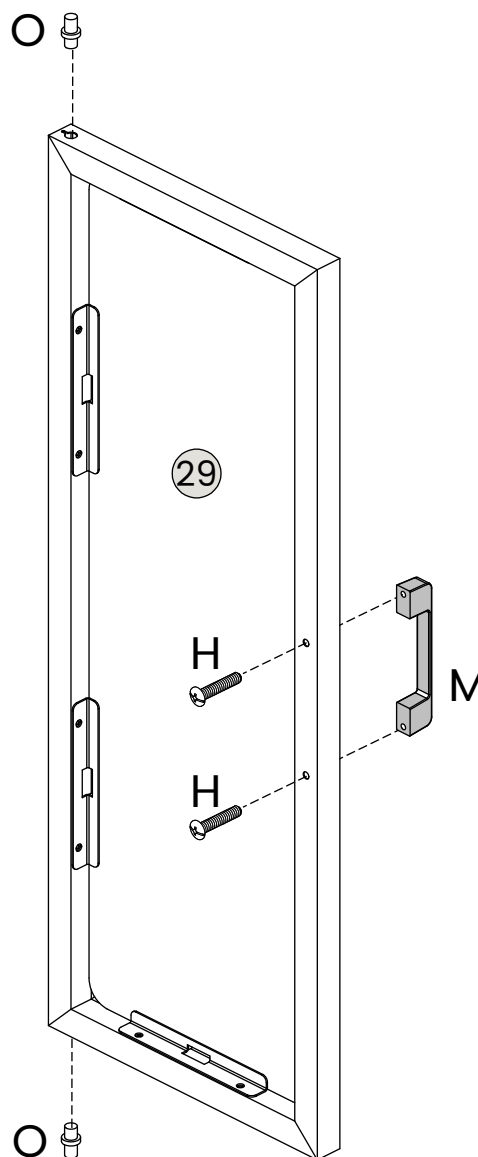
1
loosen the screw indicated by the arrow



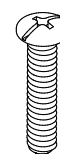
2
Tear off the protective film on both sides



3
Tighten all screws

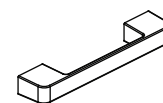


Hx4

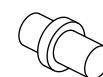


M4X25MM

Mx2



O x4

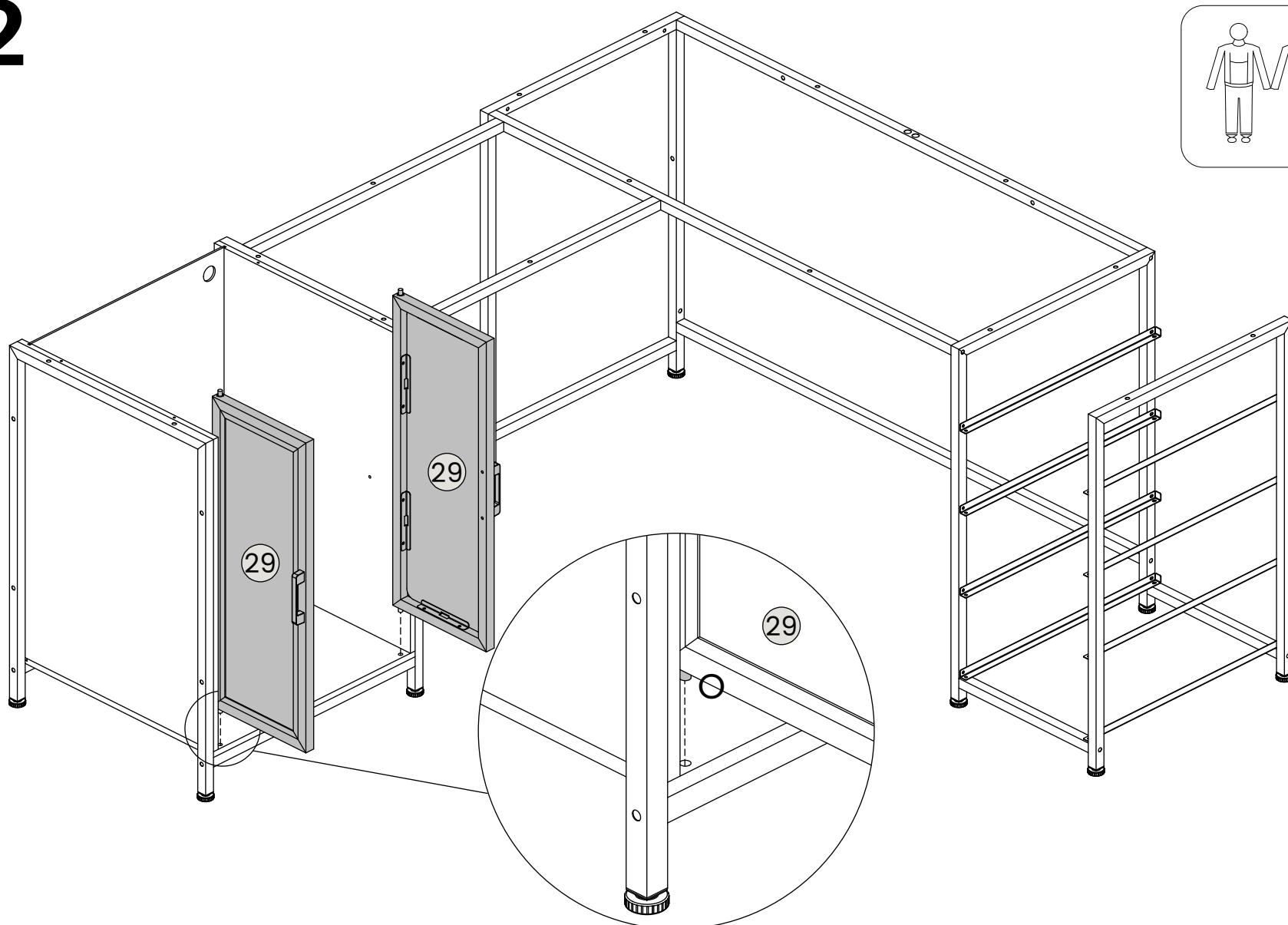
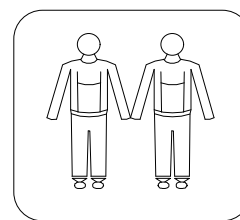


φ8X21MM

X2

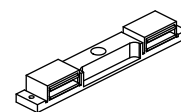
Assembly Instruction

62



63

I x1

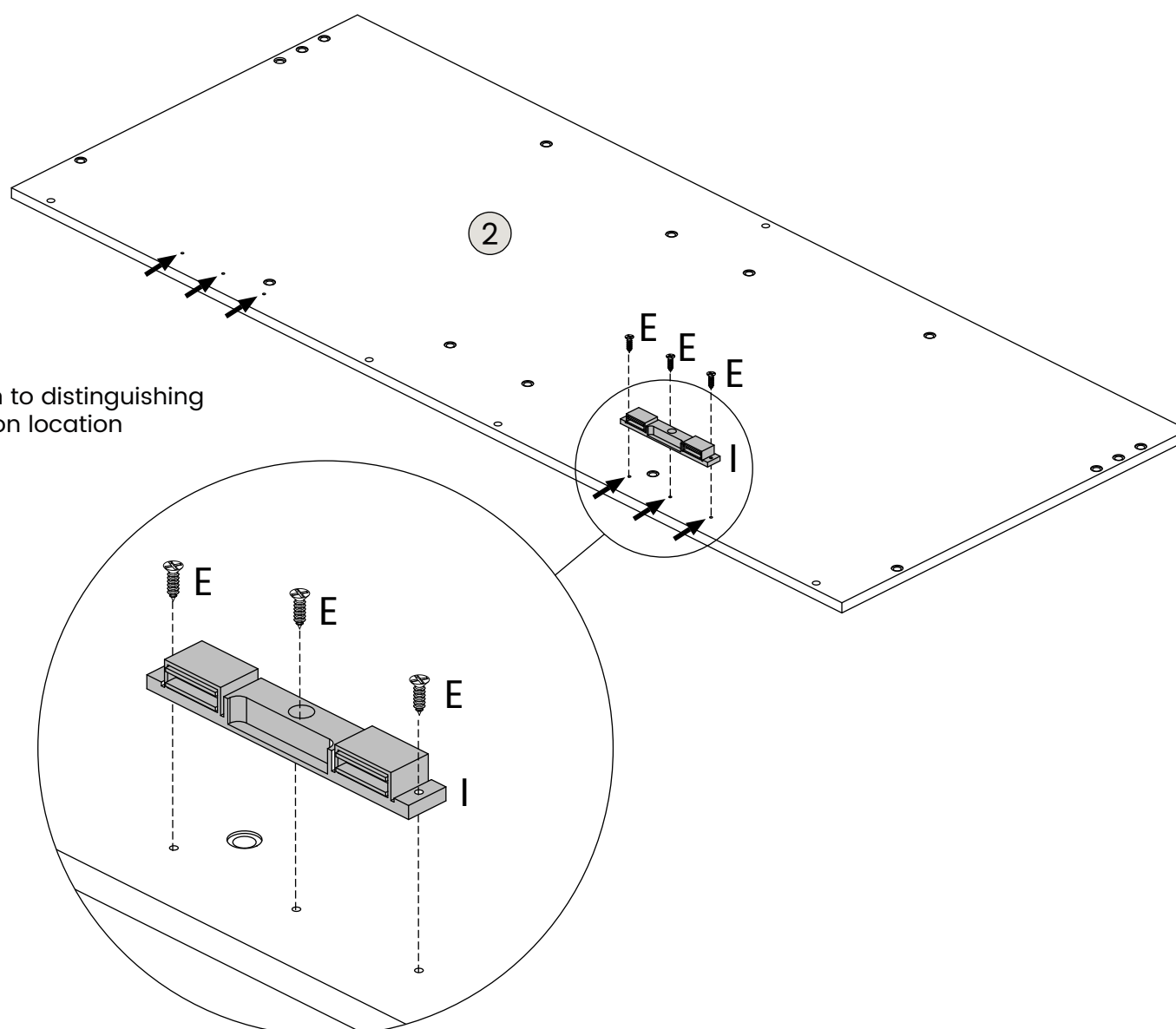


E x3



ST4X14MM

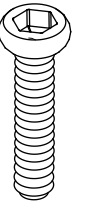
Pay attention to distinguishing the installation location



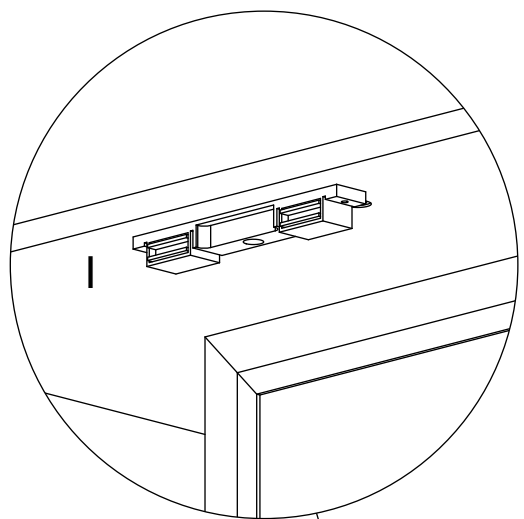
Assembly Instruction

64

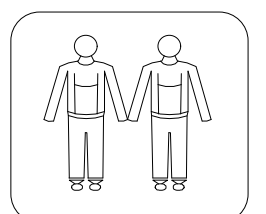
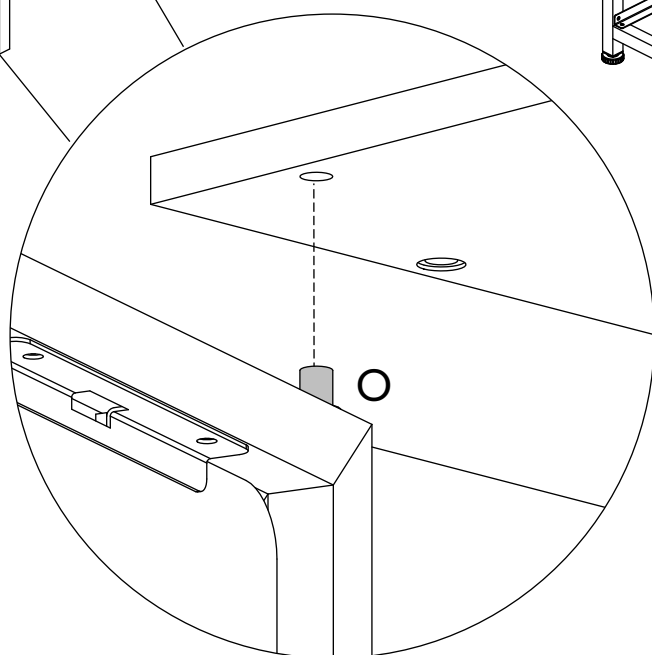
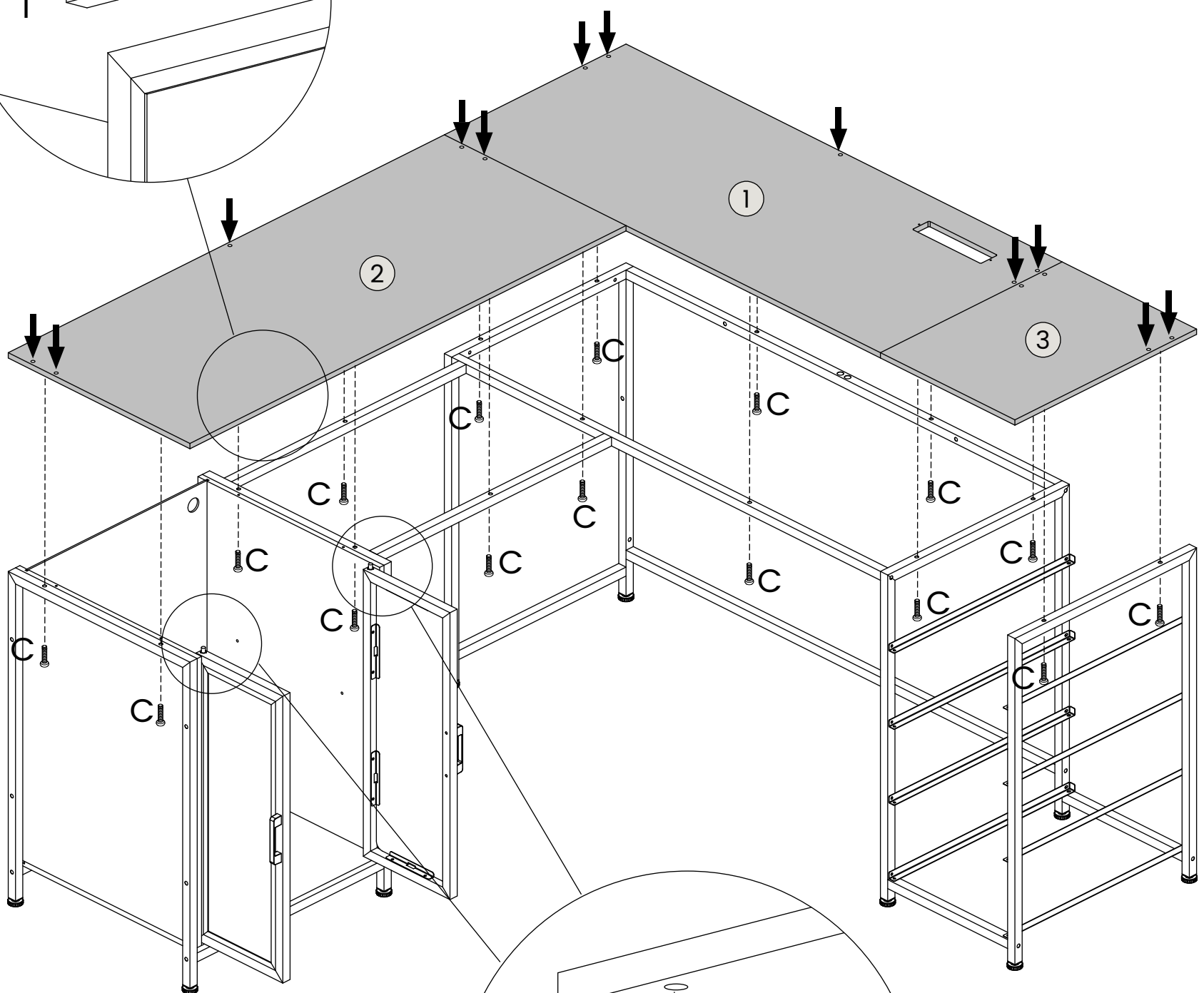
Cx16



M6X28MM

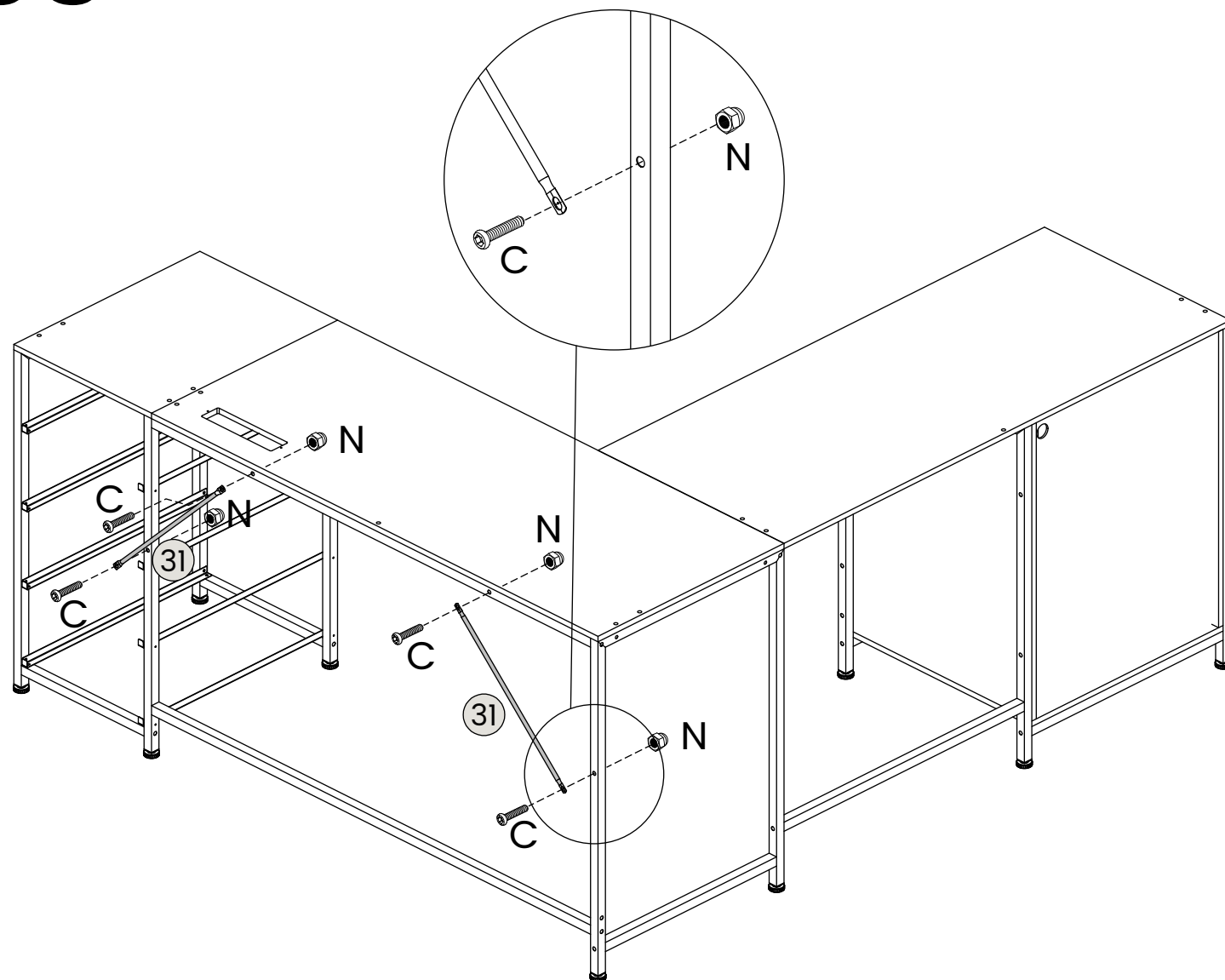


Pay attention to the position of the hole indicated by the arrow

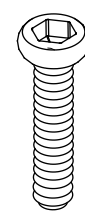


Assembly Instruction

65

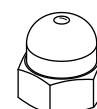


Cx4



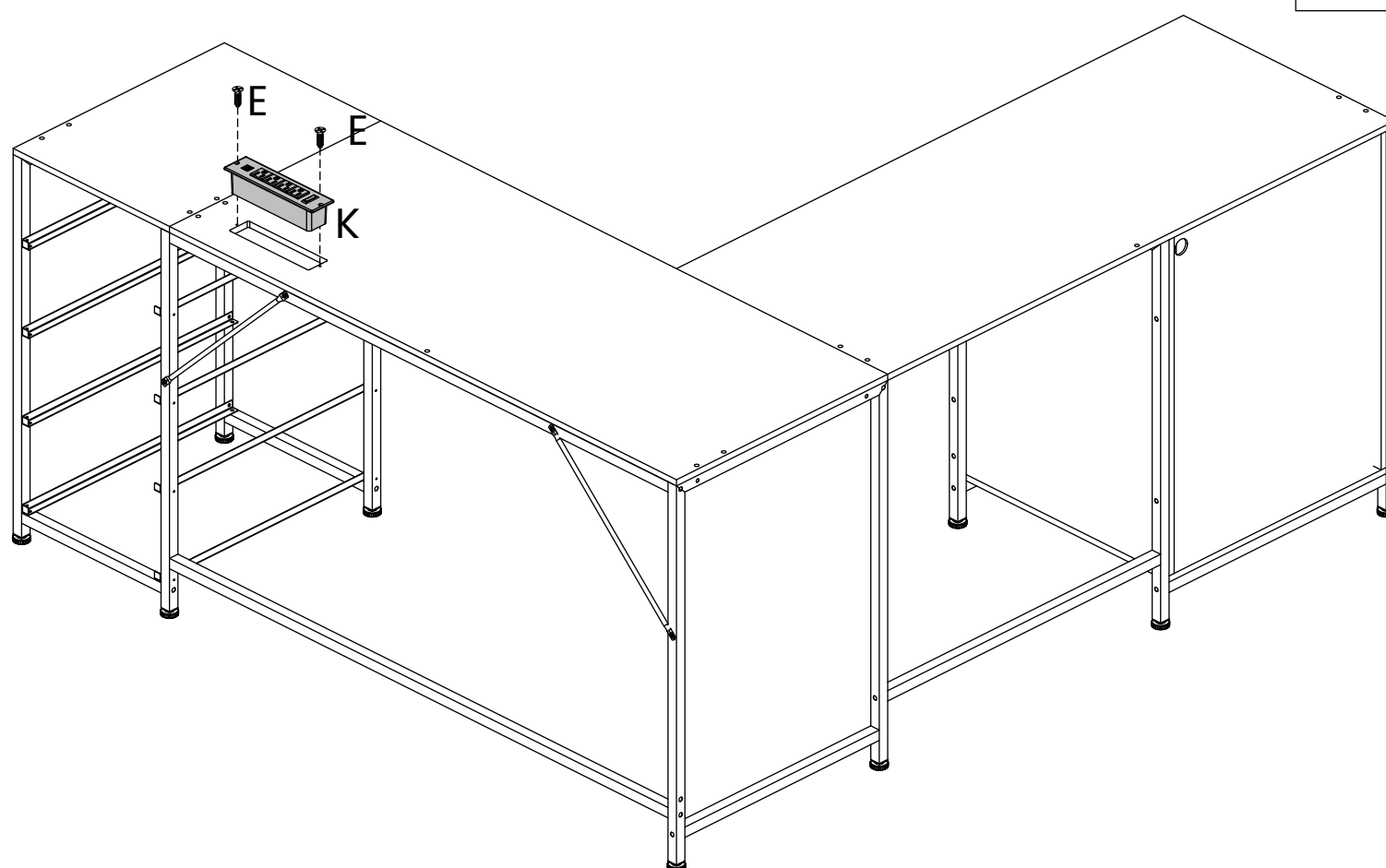
M6X28MM

Nx4



M6

66

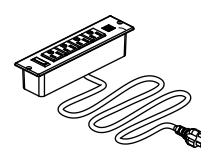


E x2



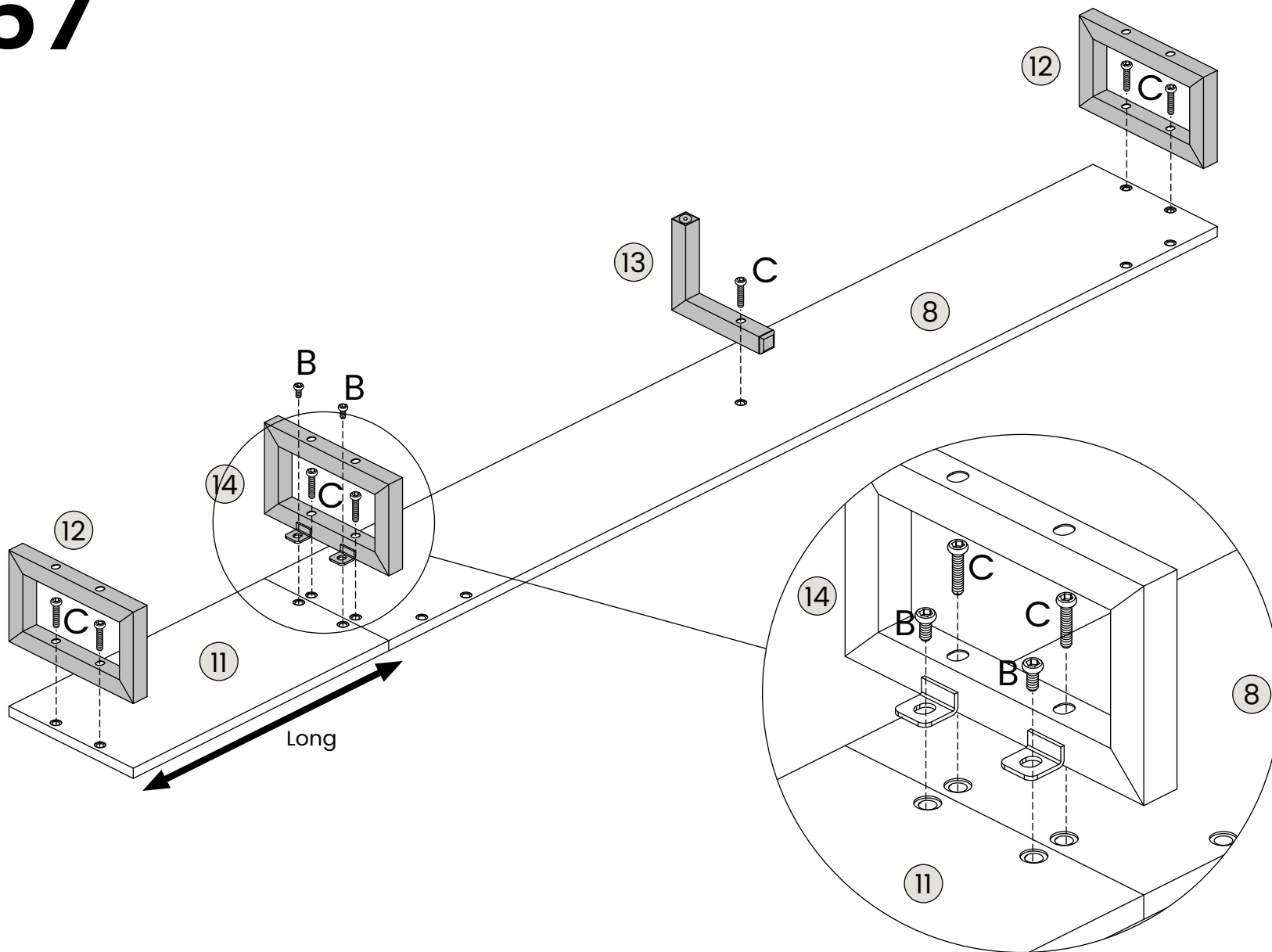
ST4X14MM

Kx1

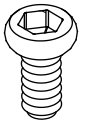


Assembly Instruction

67

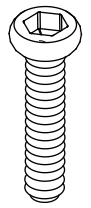


B x2



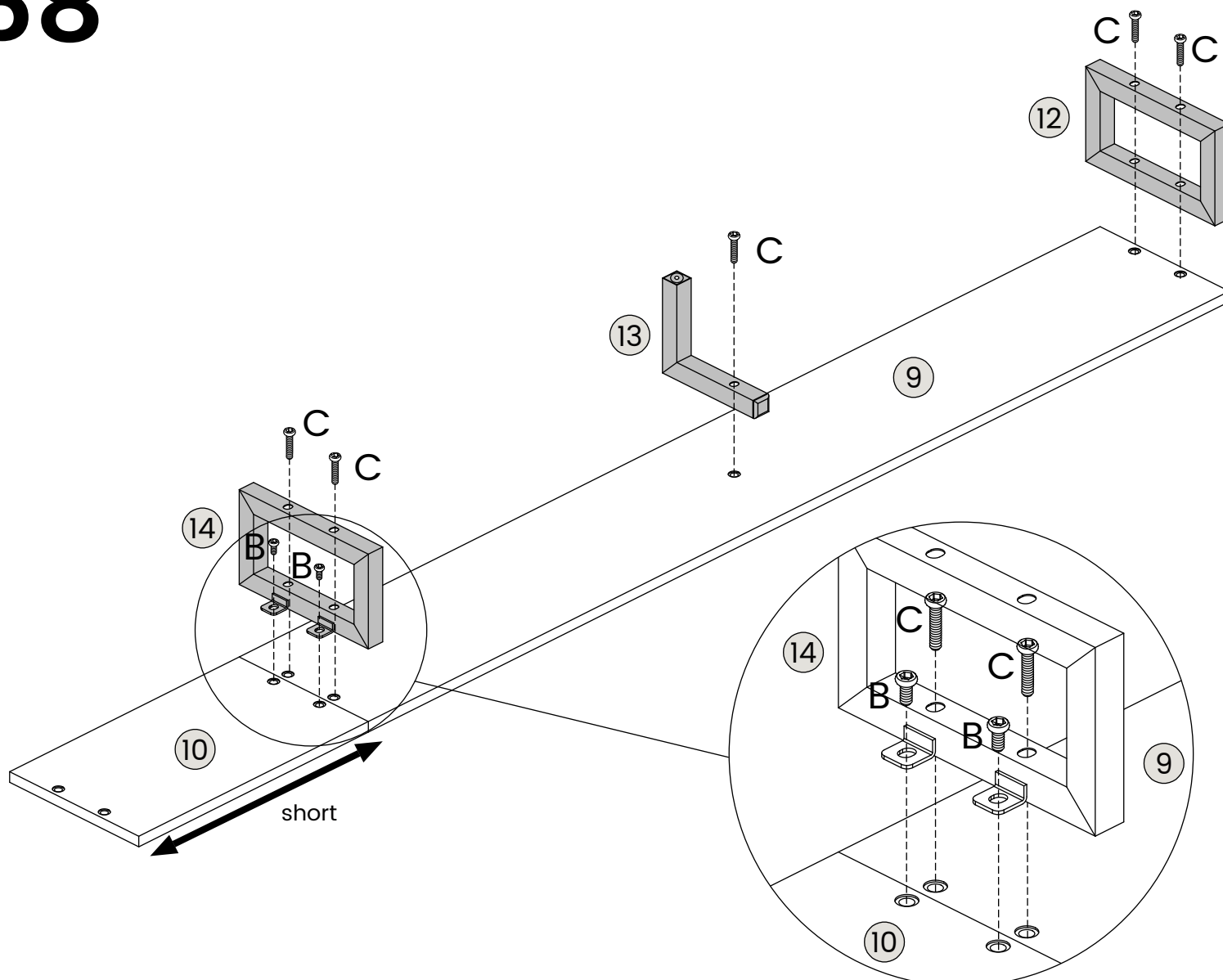
M 6X10MM

C x7

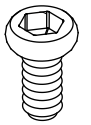


M6X28MM

68

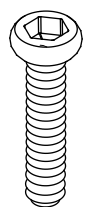


B x2



M 6X10MM

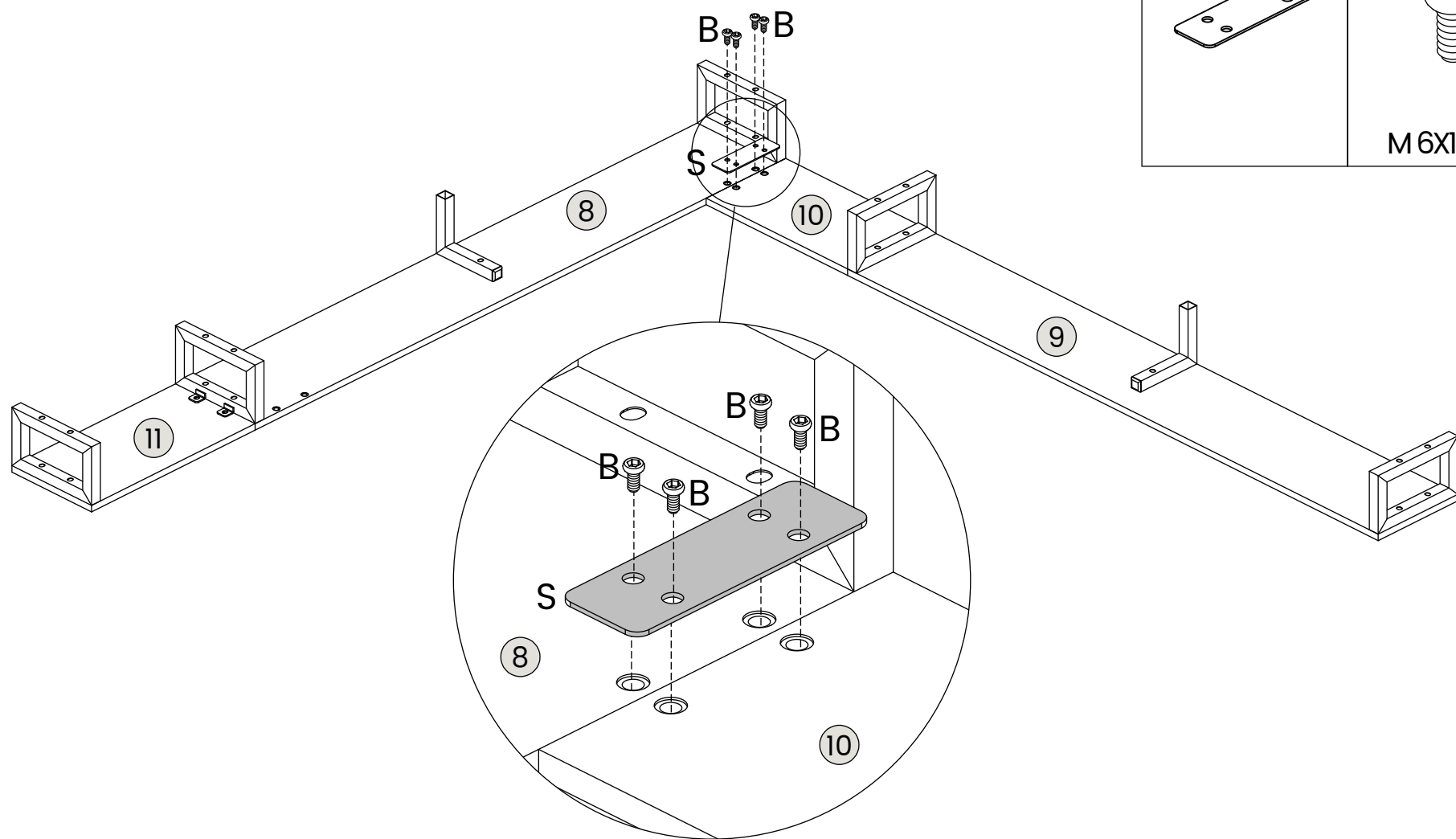
C x5



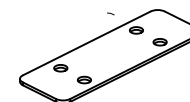
M6X28MM

Assembly Instruction

69



S x1

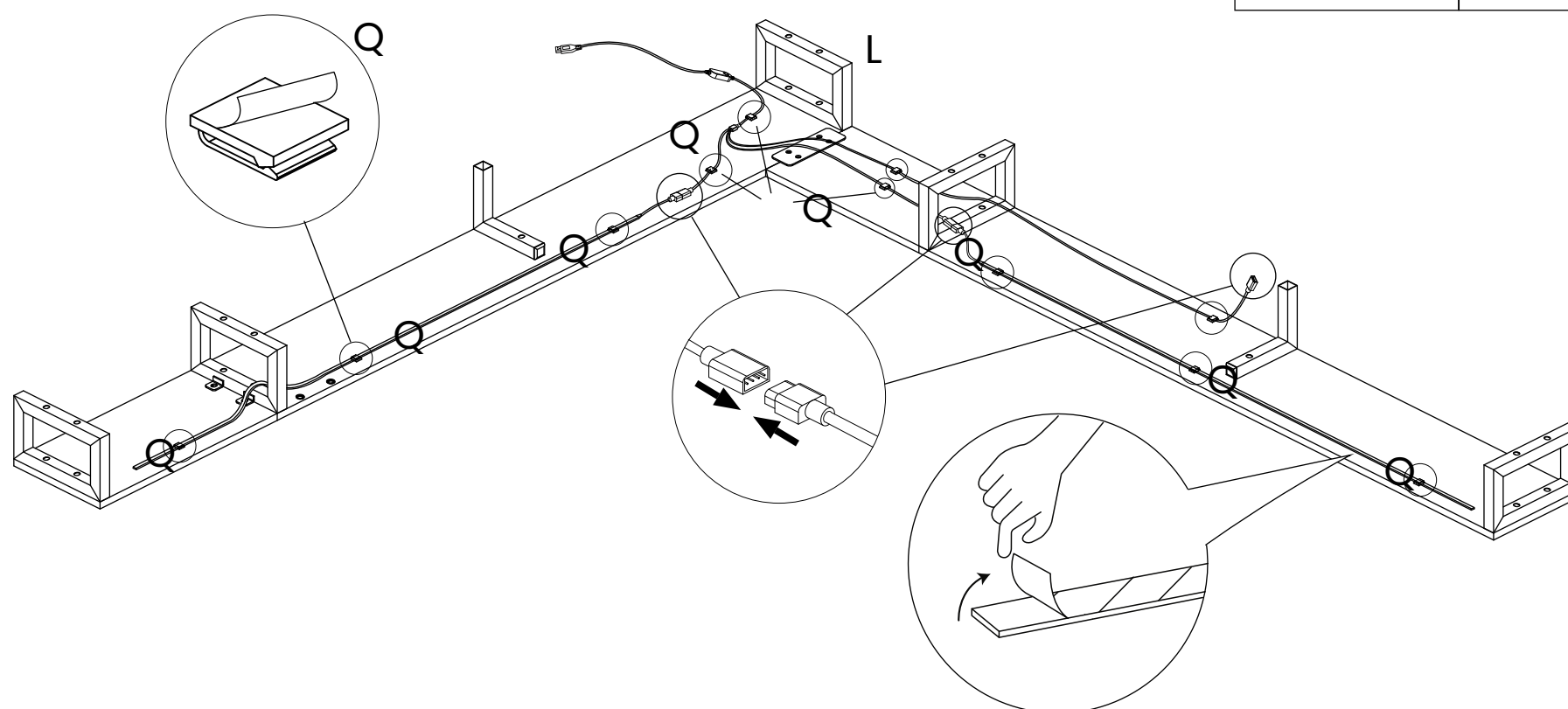


B x4



M 6X10MM

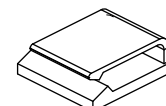
70



L x1

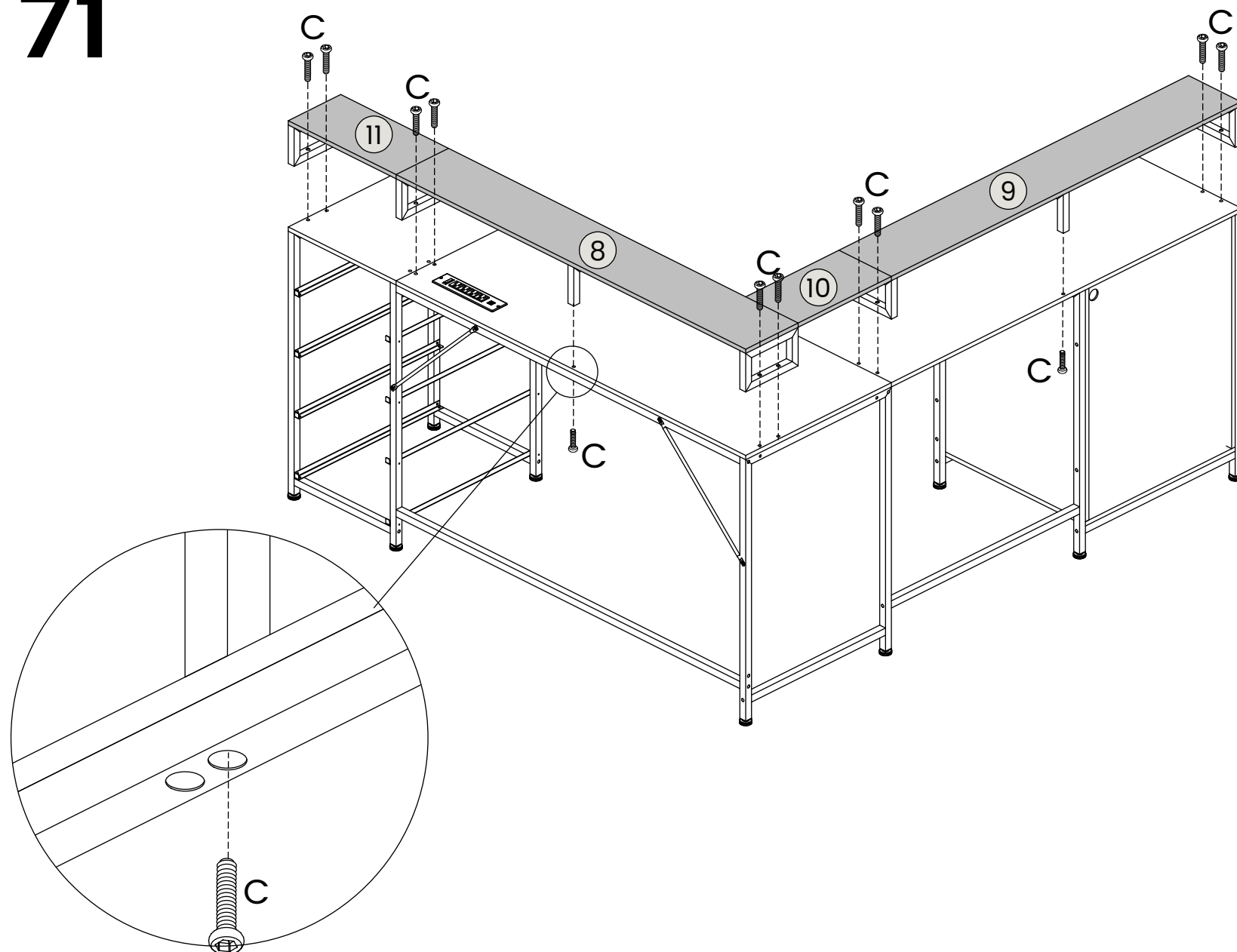


Qx11

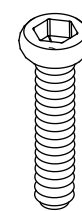


Assembly Instruction

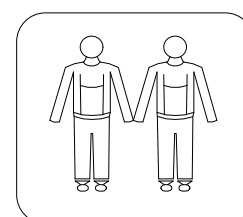
71



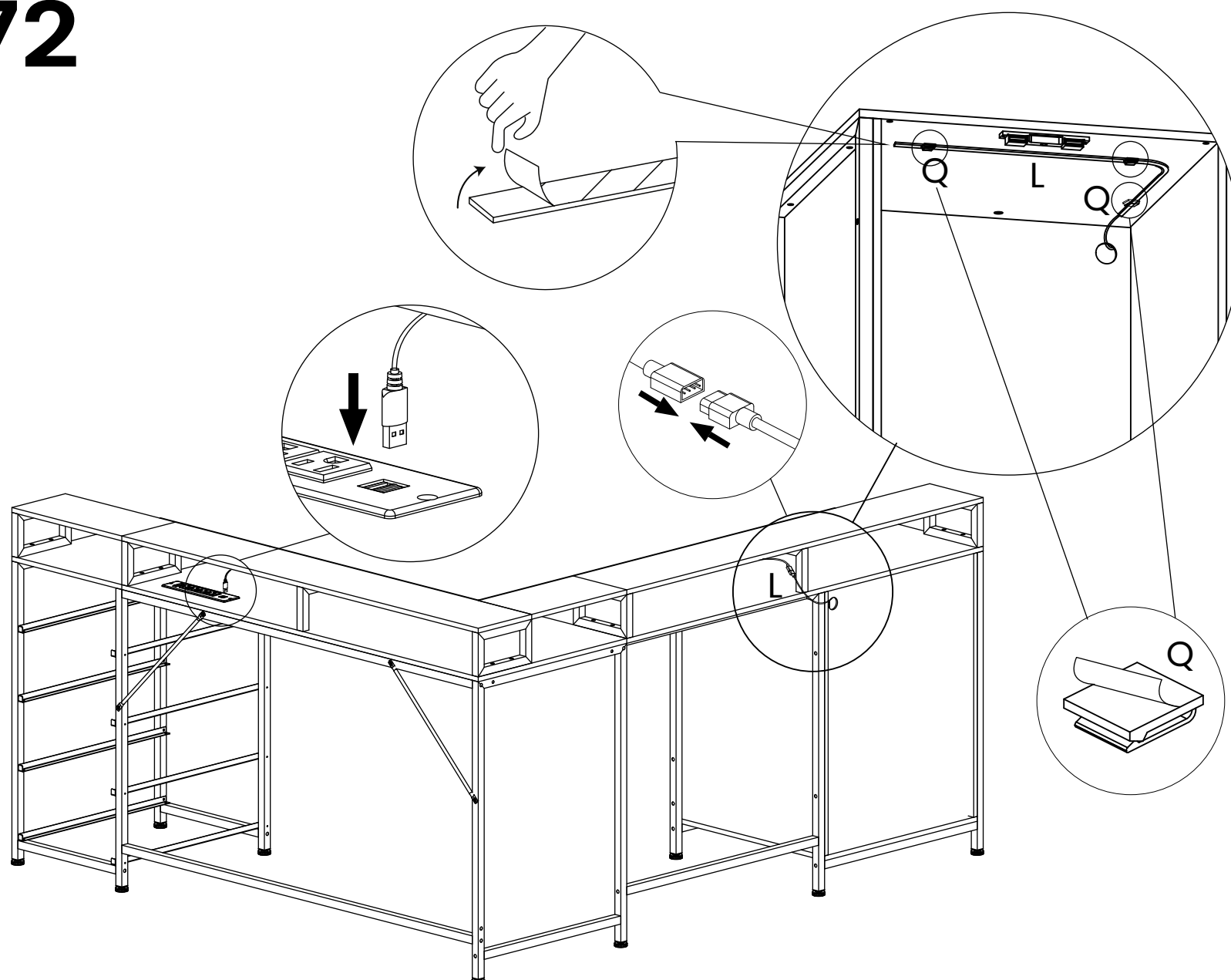
Cx12



M6X28MM



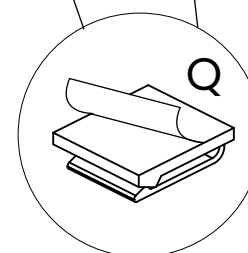
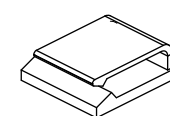
72



L x1



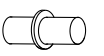
Qx3



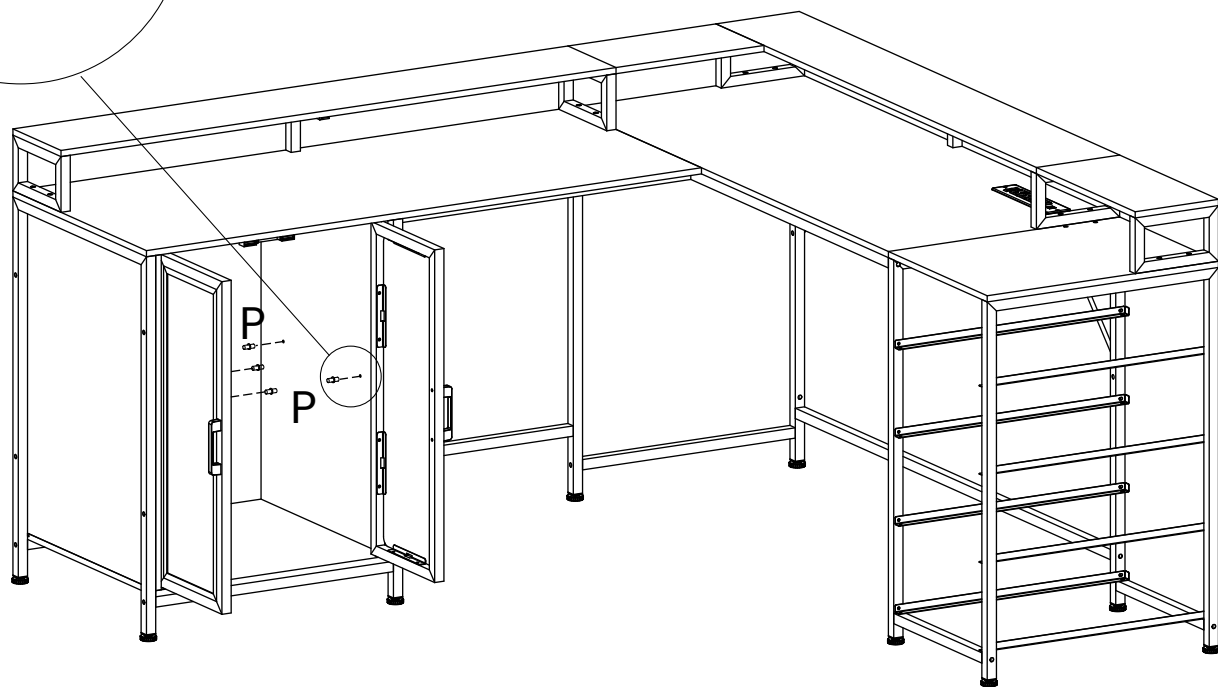
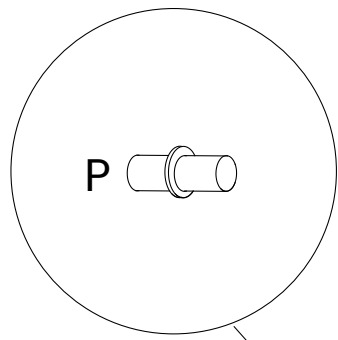
Assembly Instruction

73

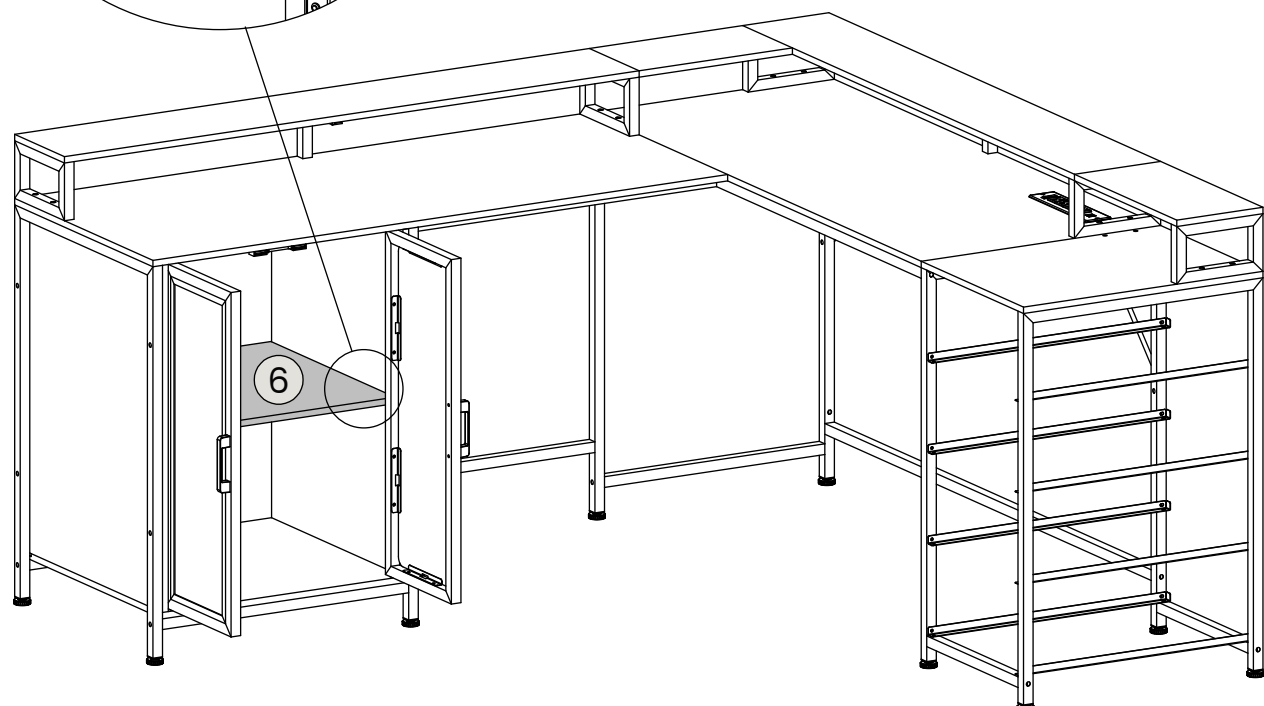
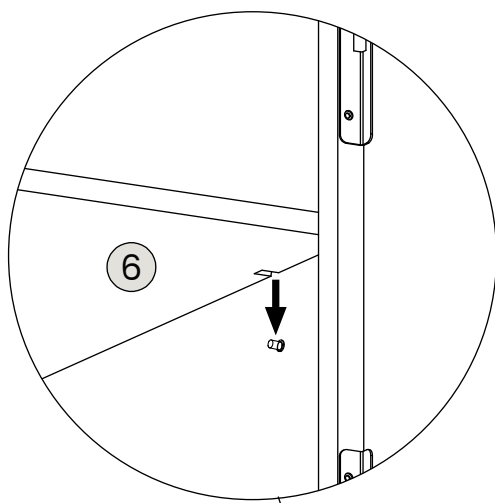
P x4



φ5X15MM

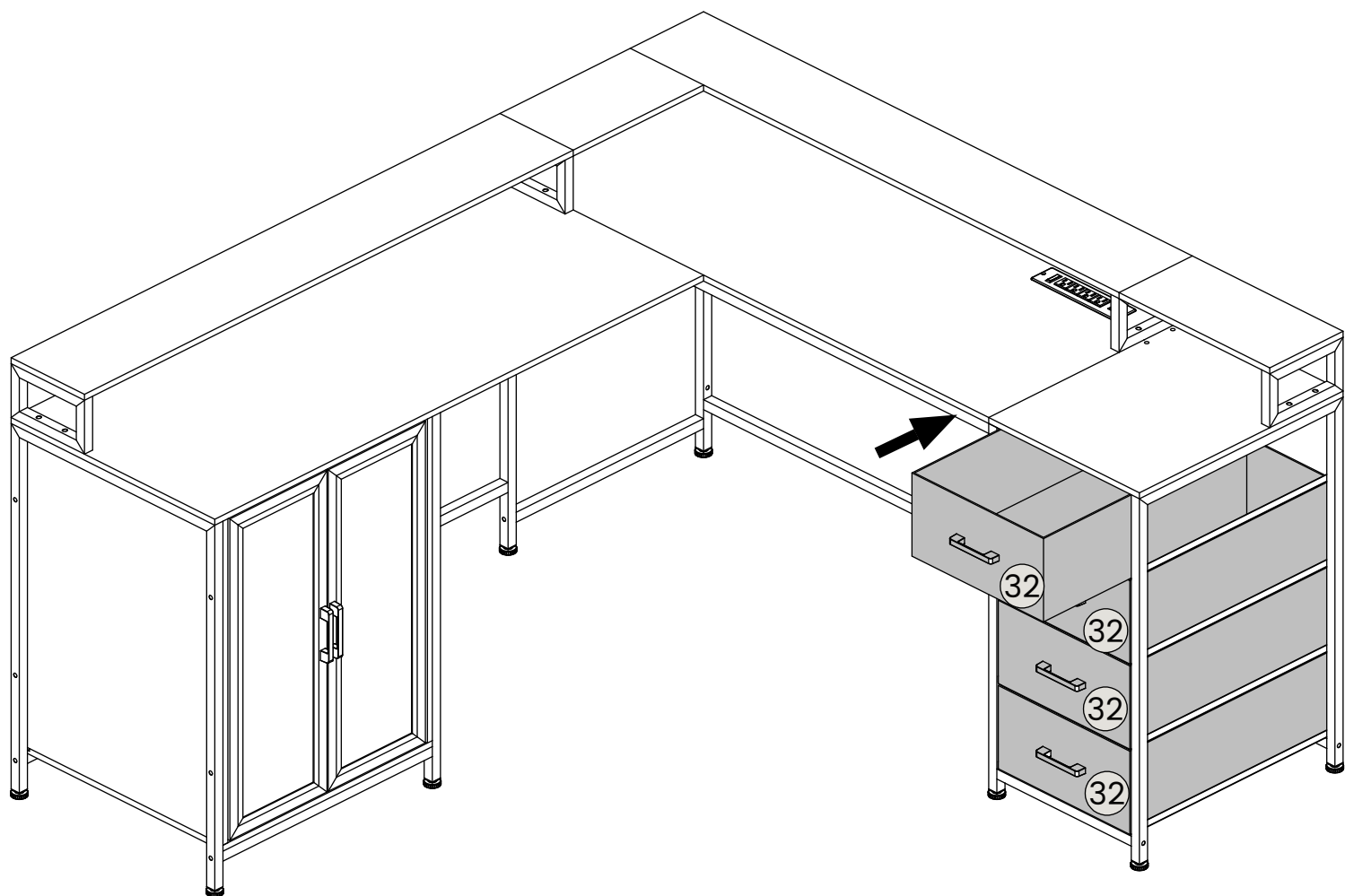


74

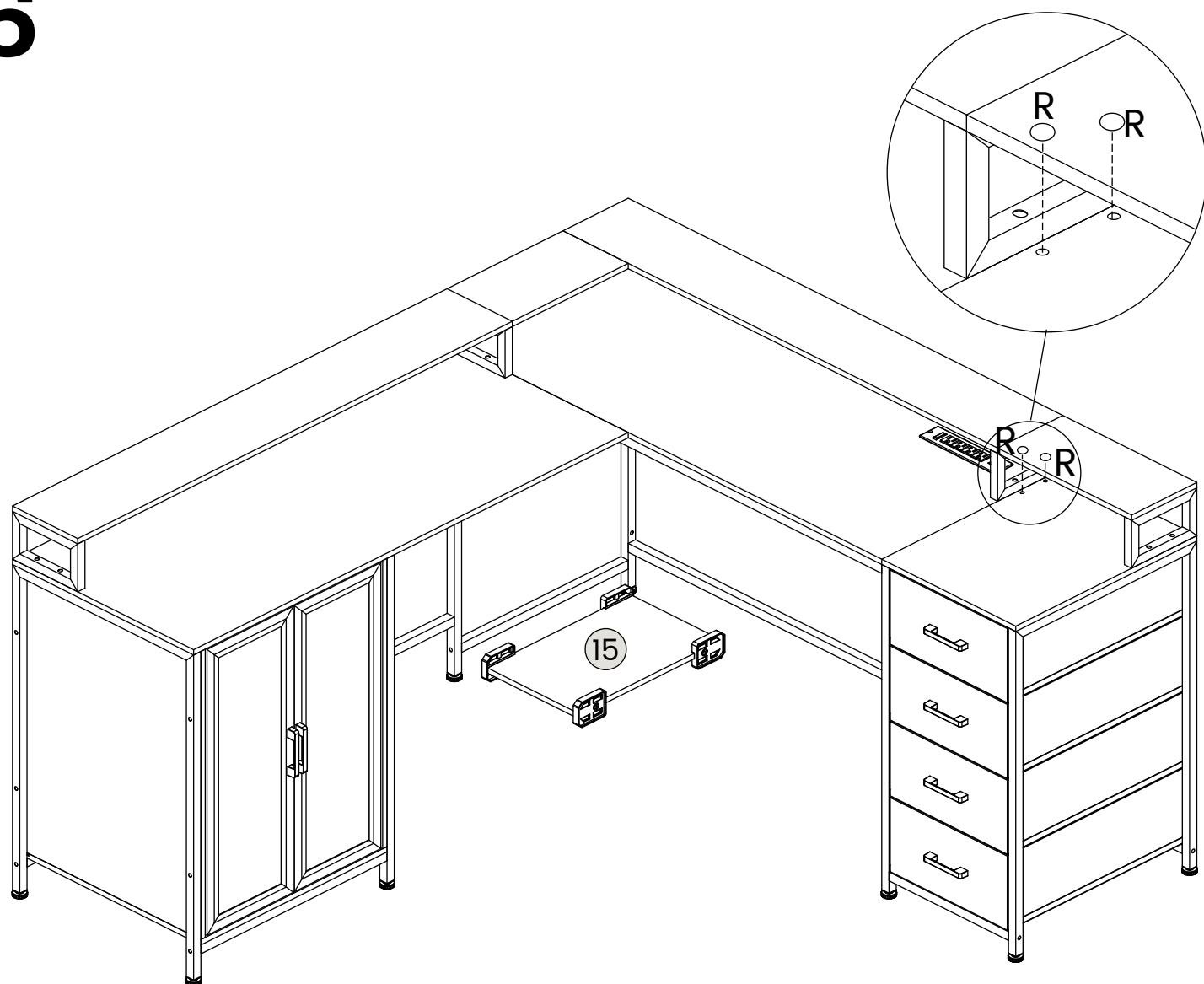


Assembly Instruction

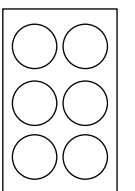
75



76



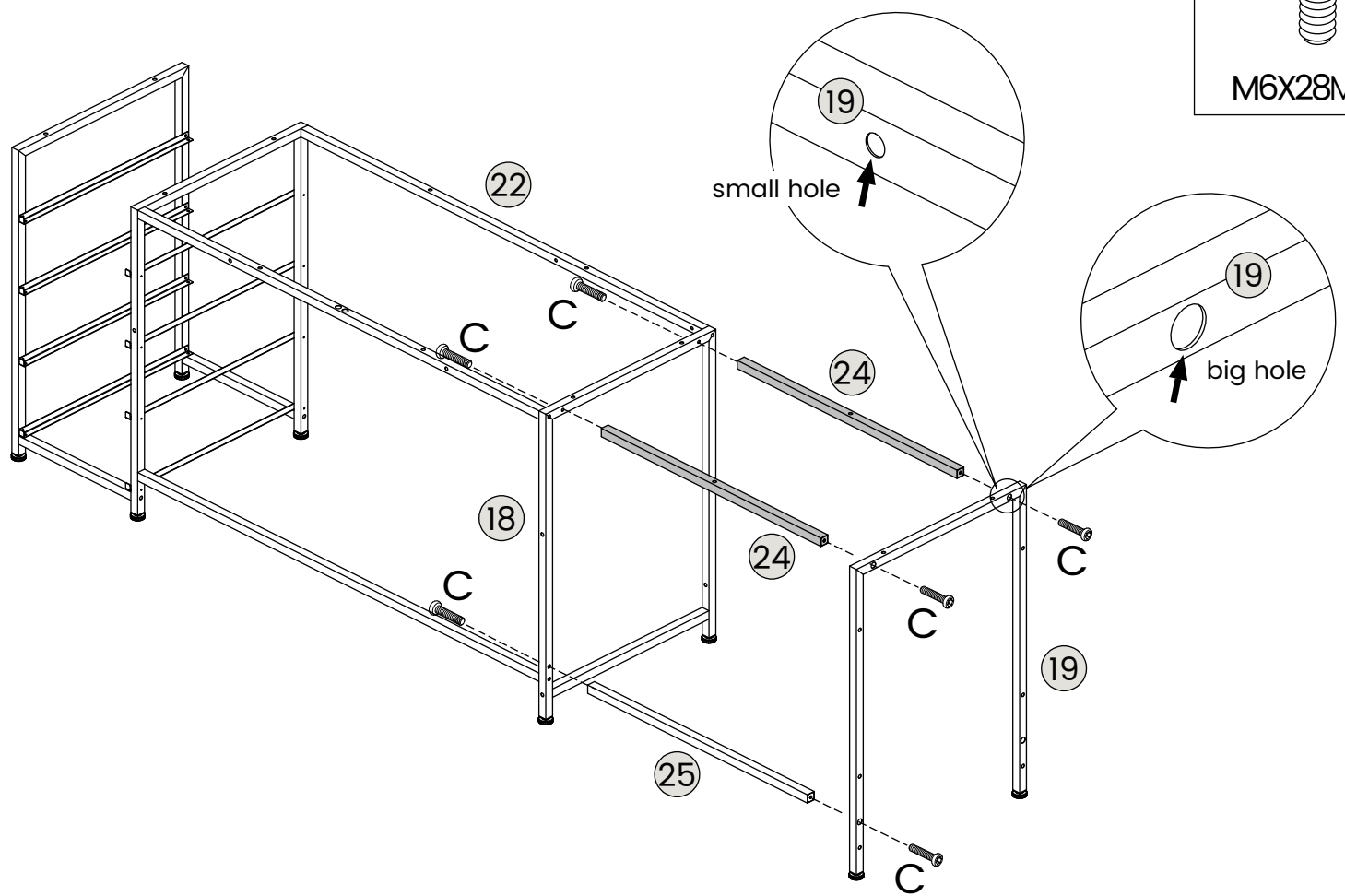
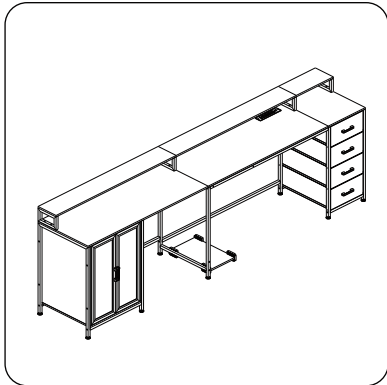
R x1



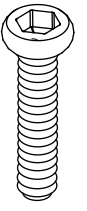
Assembly Instruction

77

Option B:77-96

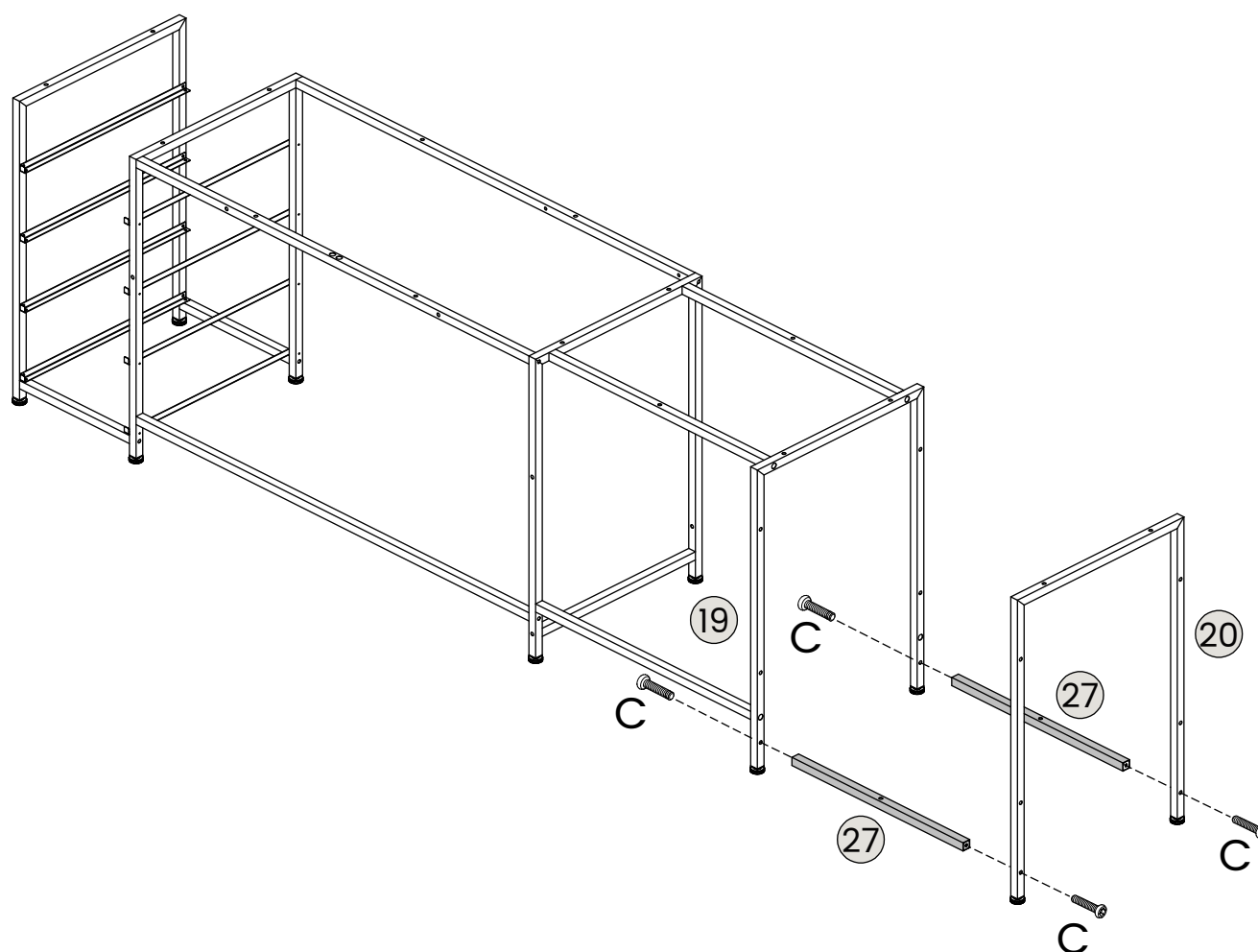


Cx6

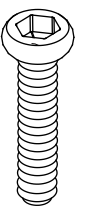


M6X28MM

78



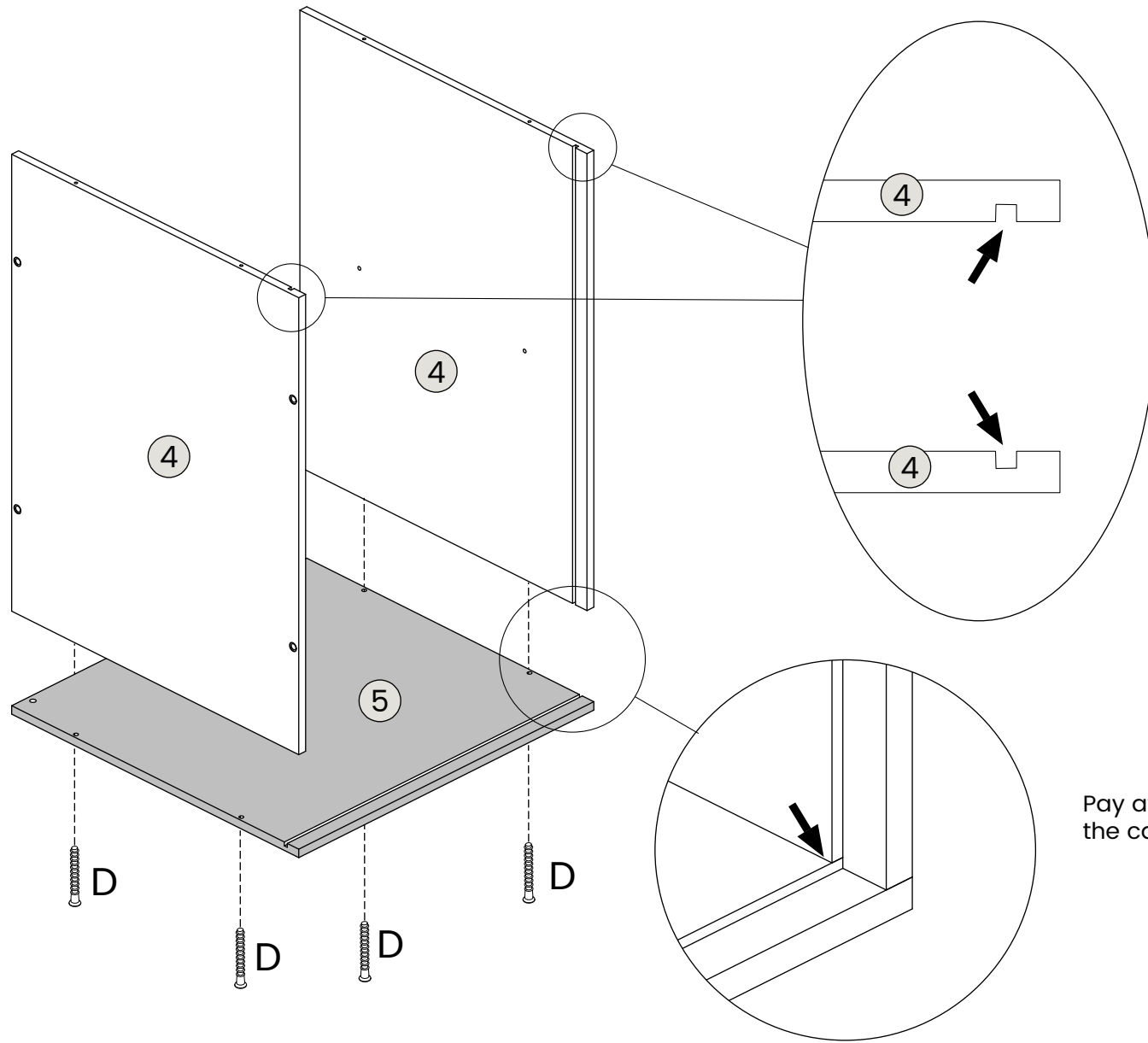
Cx4



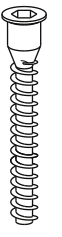
M6X28MM

Assembly Instruction

79



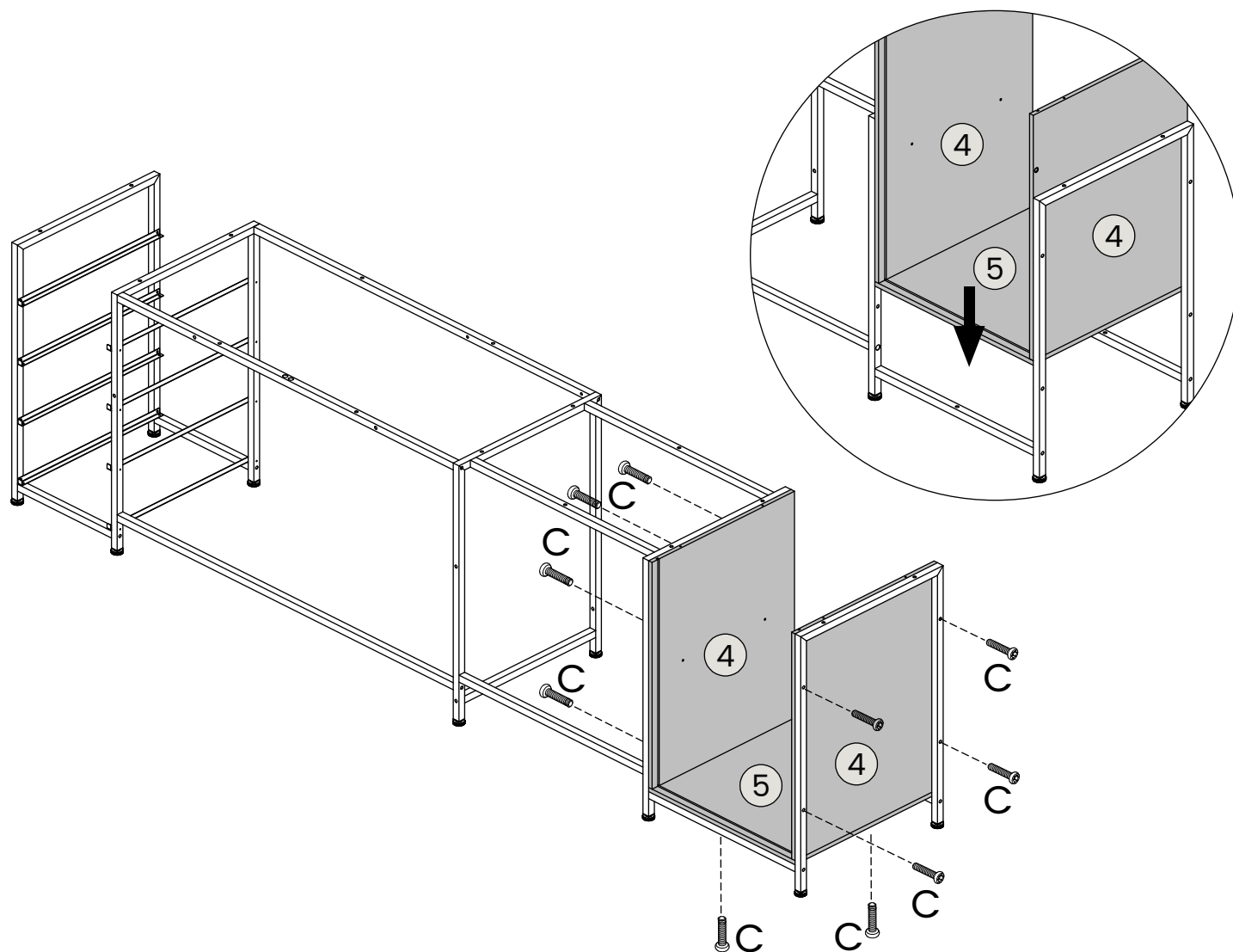
Dx4



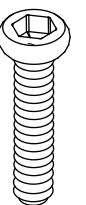
ST5X40MM

Pay attention to aligning the card slots

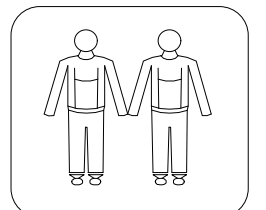
80



Cx10

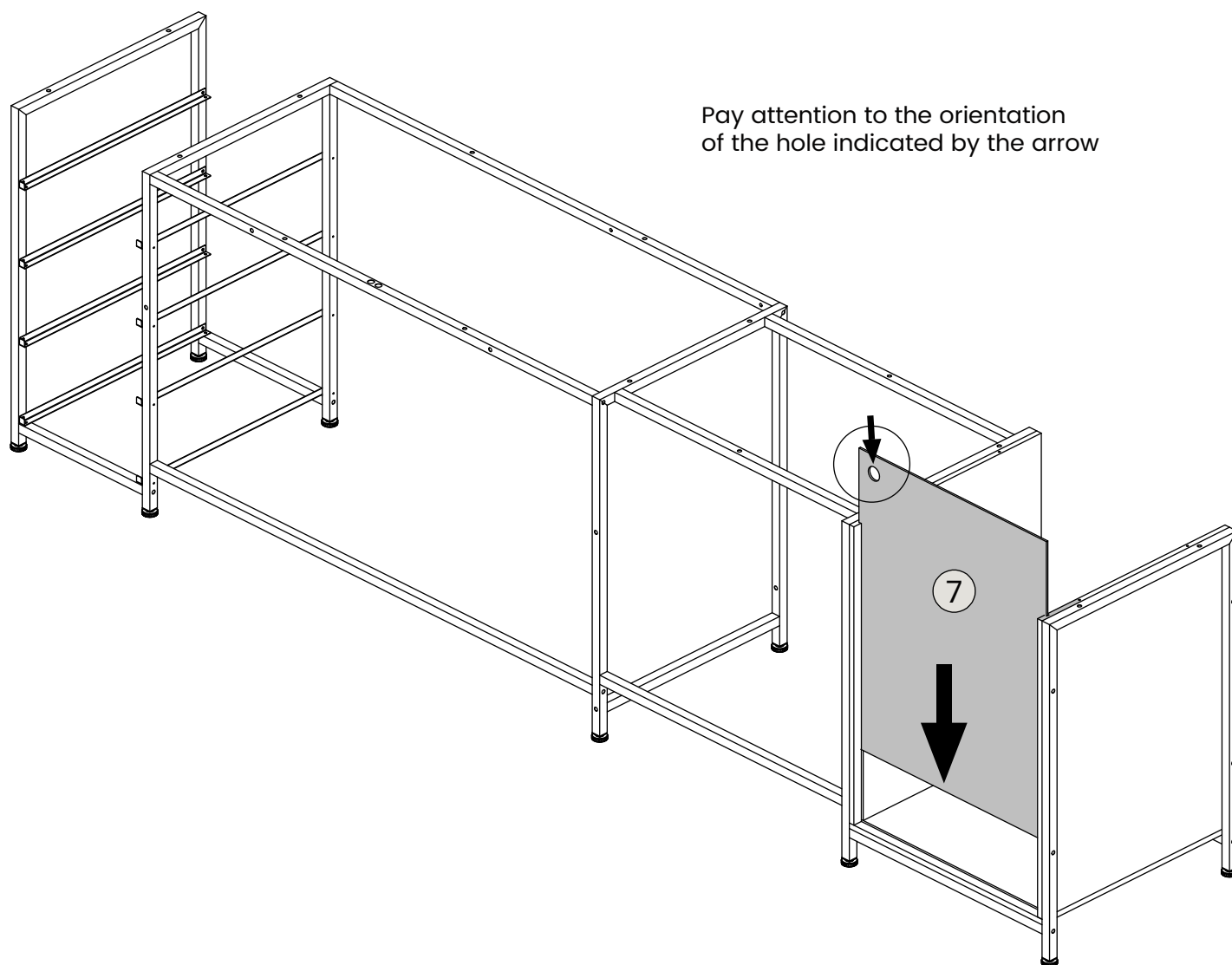


M6X28MM

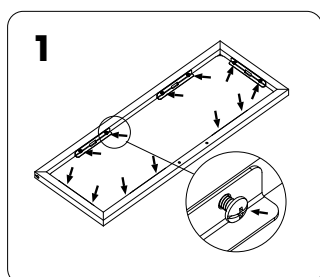


Assembly Instruction

81

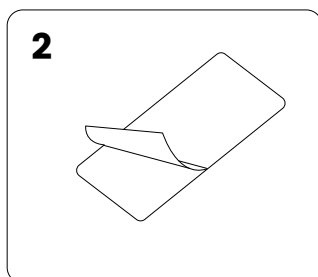


82



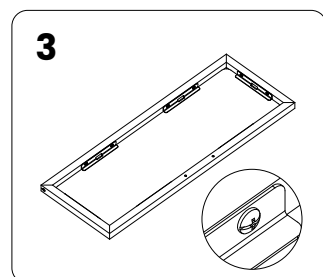
1

loosen the screw indicated by the arrow



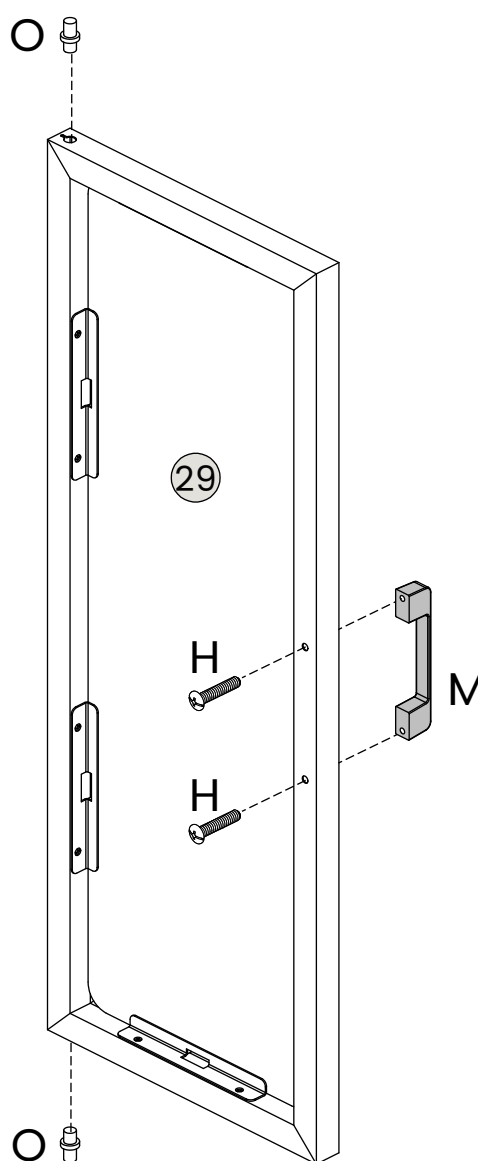
2

Tear off the protective film on both sides

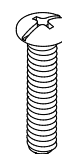


3

Tighten all screws

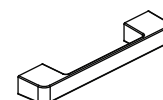


Hx4



M4X25MM

Mx2



Ox4

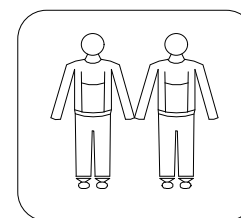
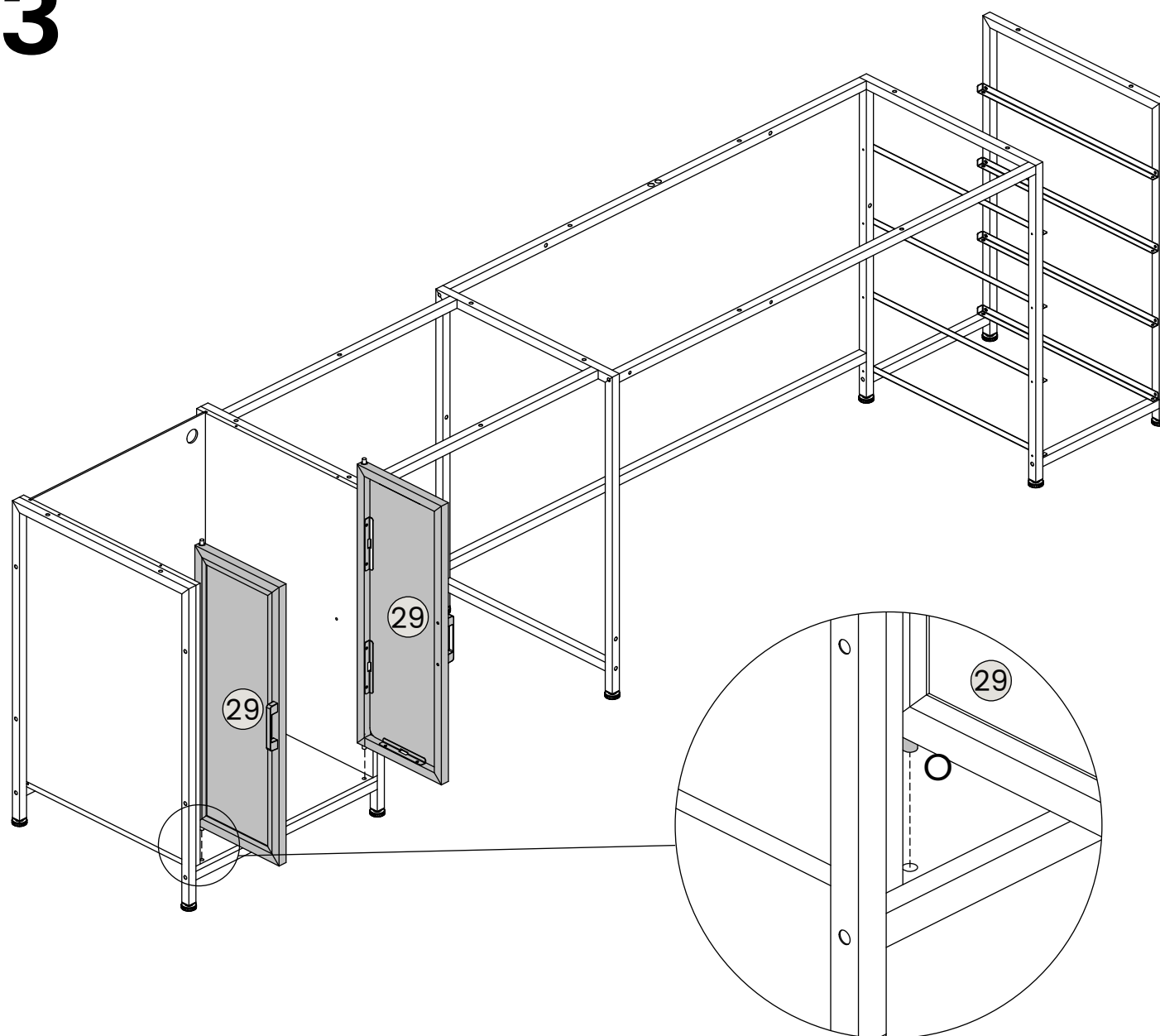


φ8X21MM

X2

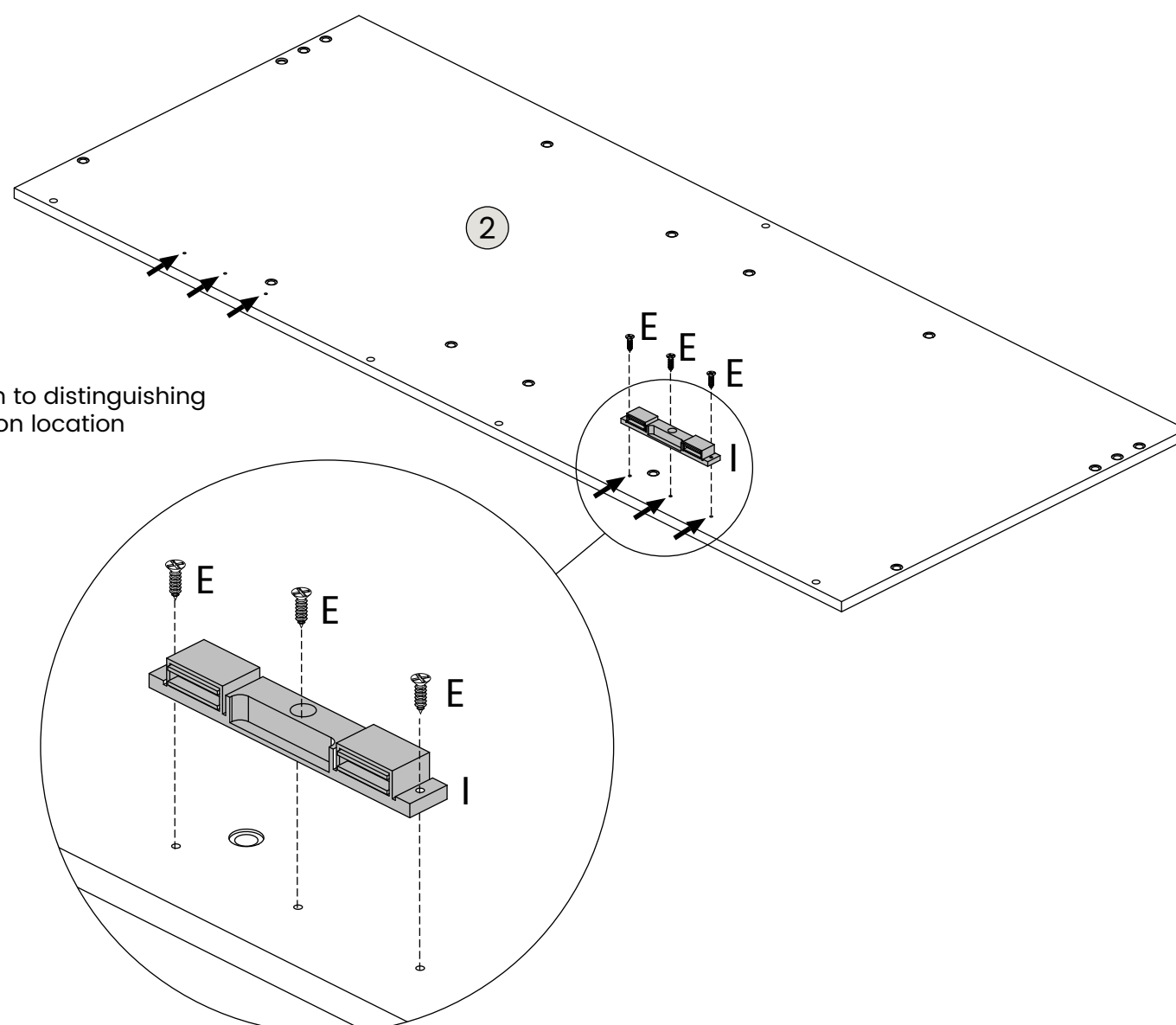
Assembly Instruction

83

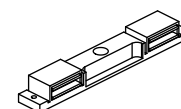


84

Pay attention to distinguishing the installation location



I x1



E x3

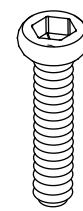


ST4X14MM

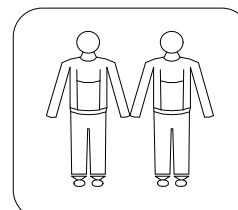
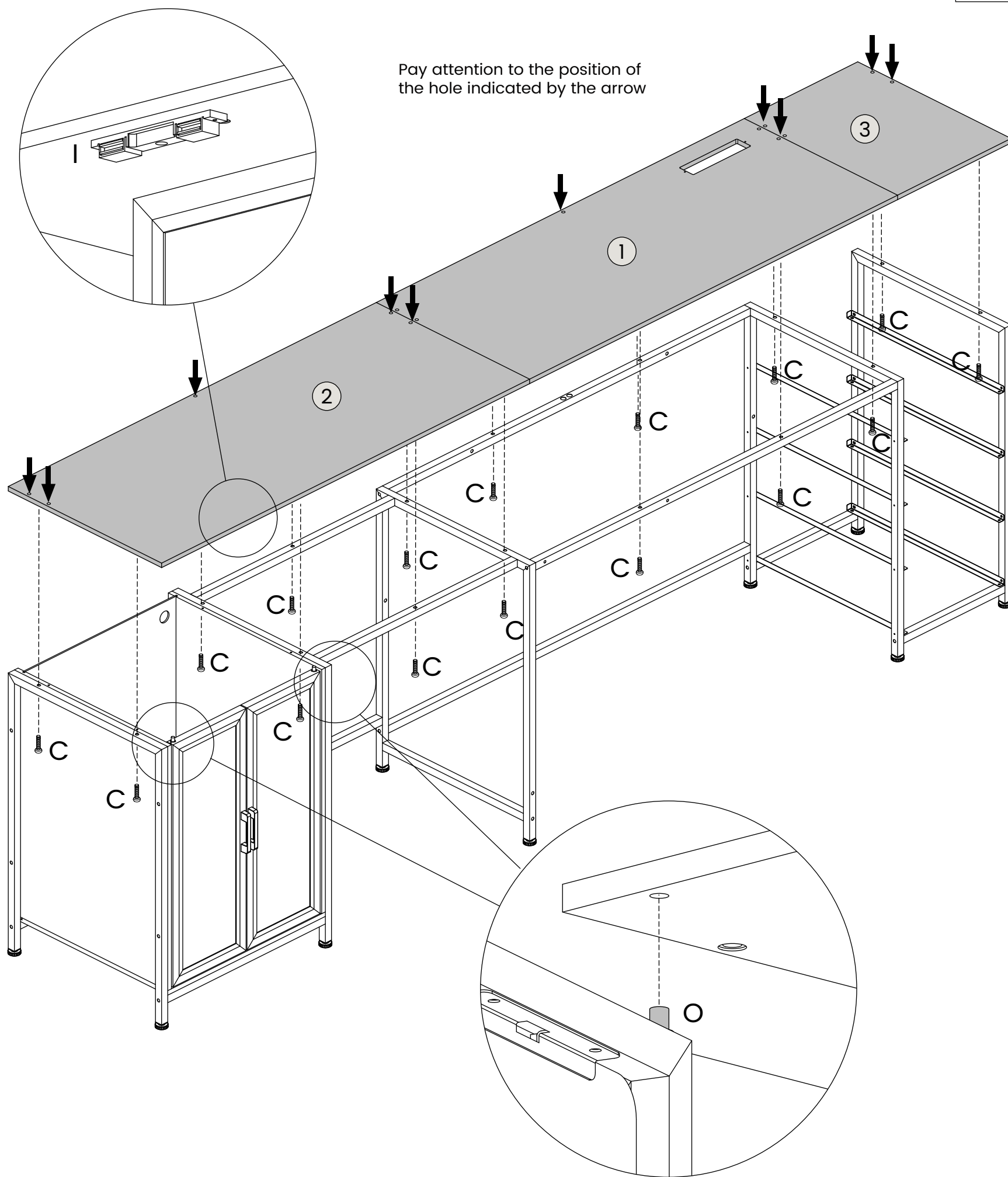
Assembly Instruction

85

Cx16

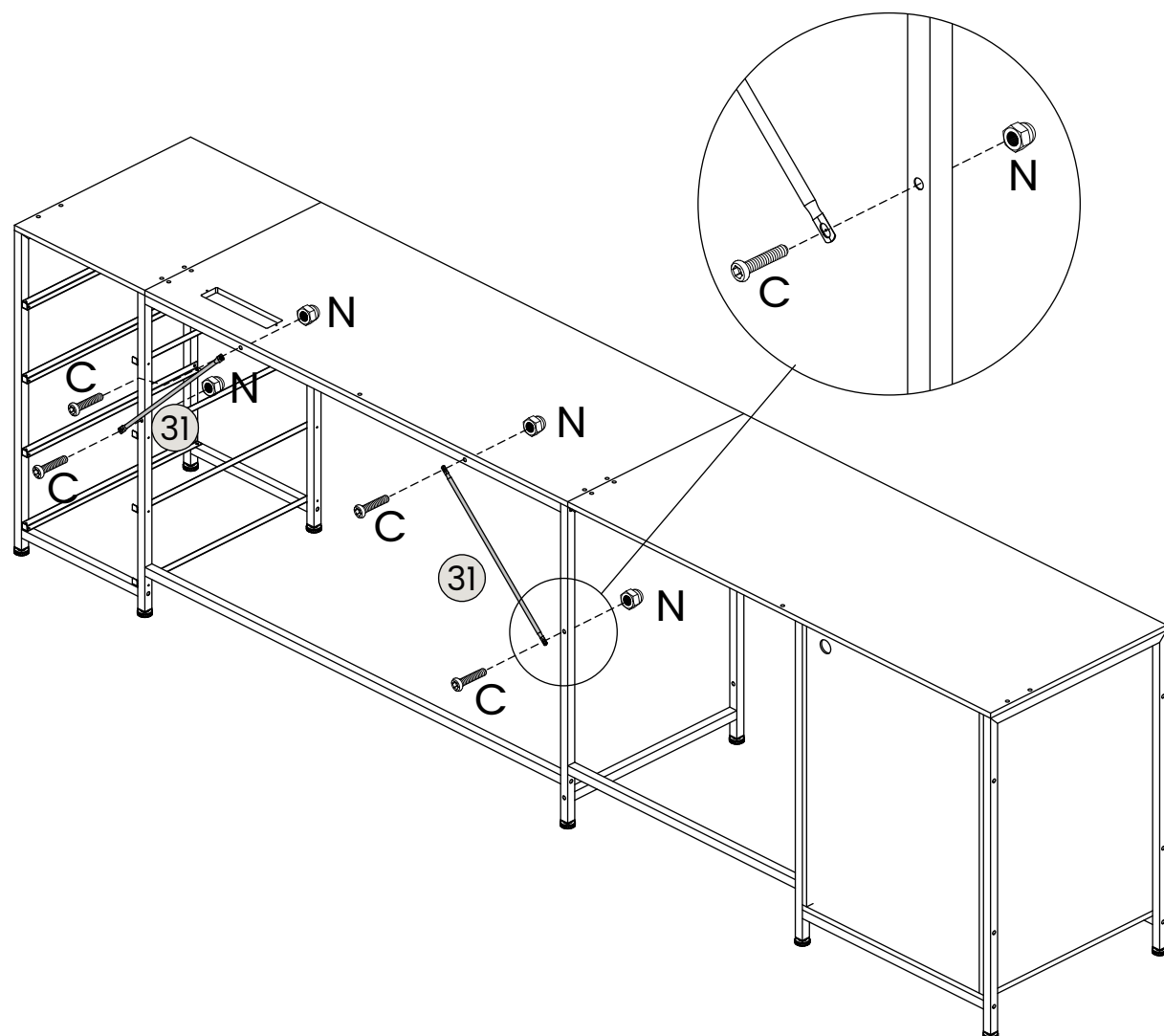


M6X28MM

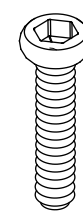


Assembly Instruction

86

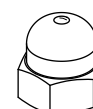


Cx4



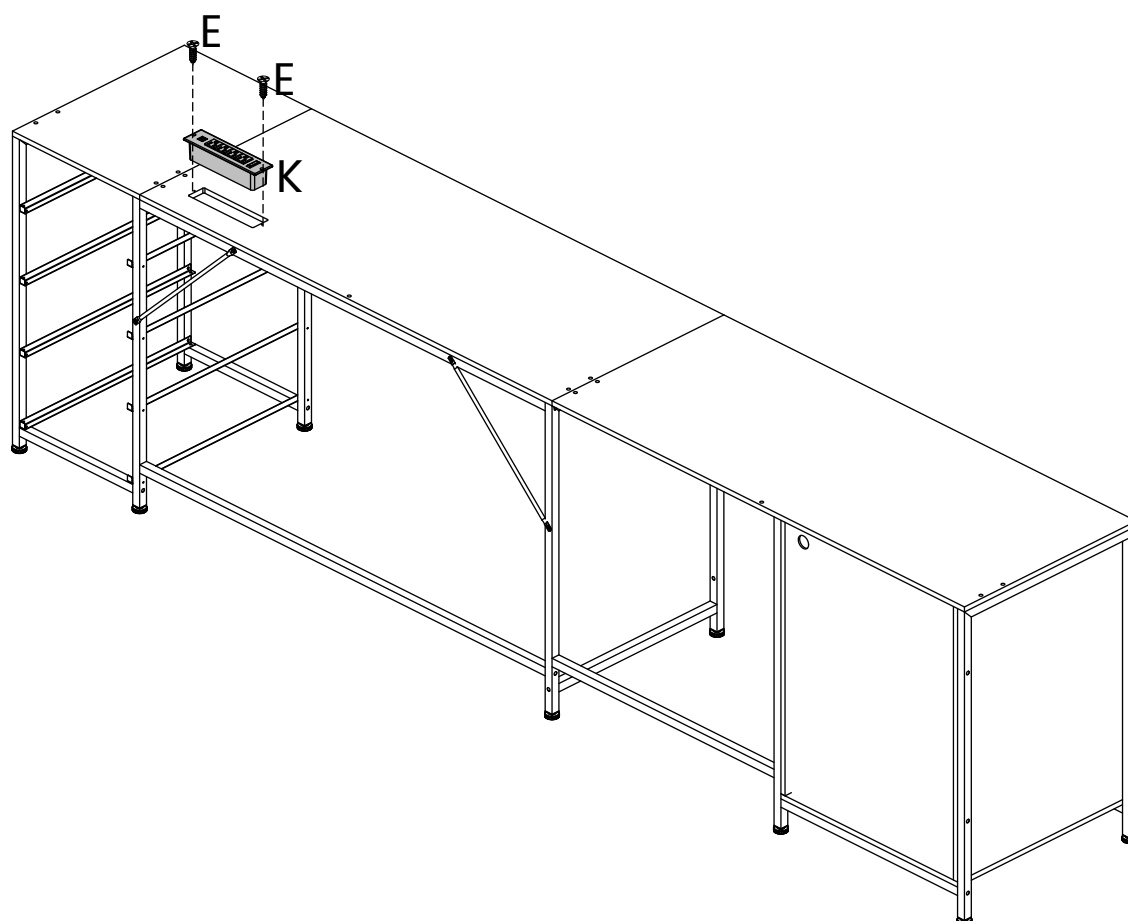
M6X28MM

Nx4



M6

87

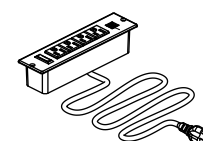


E x2



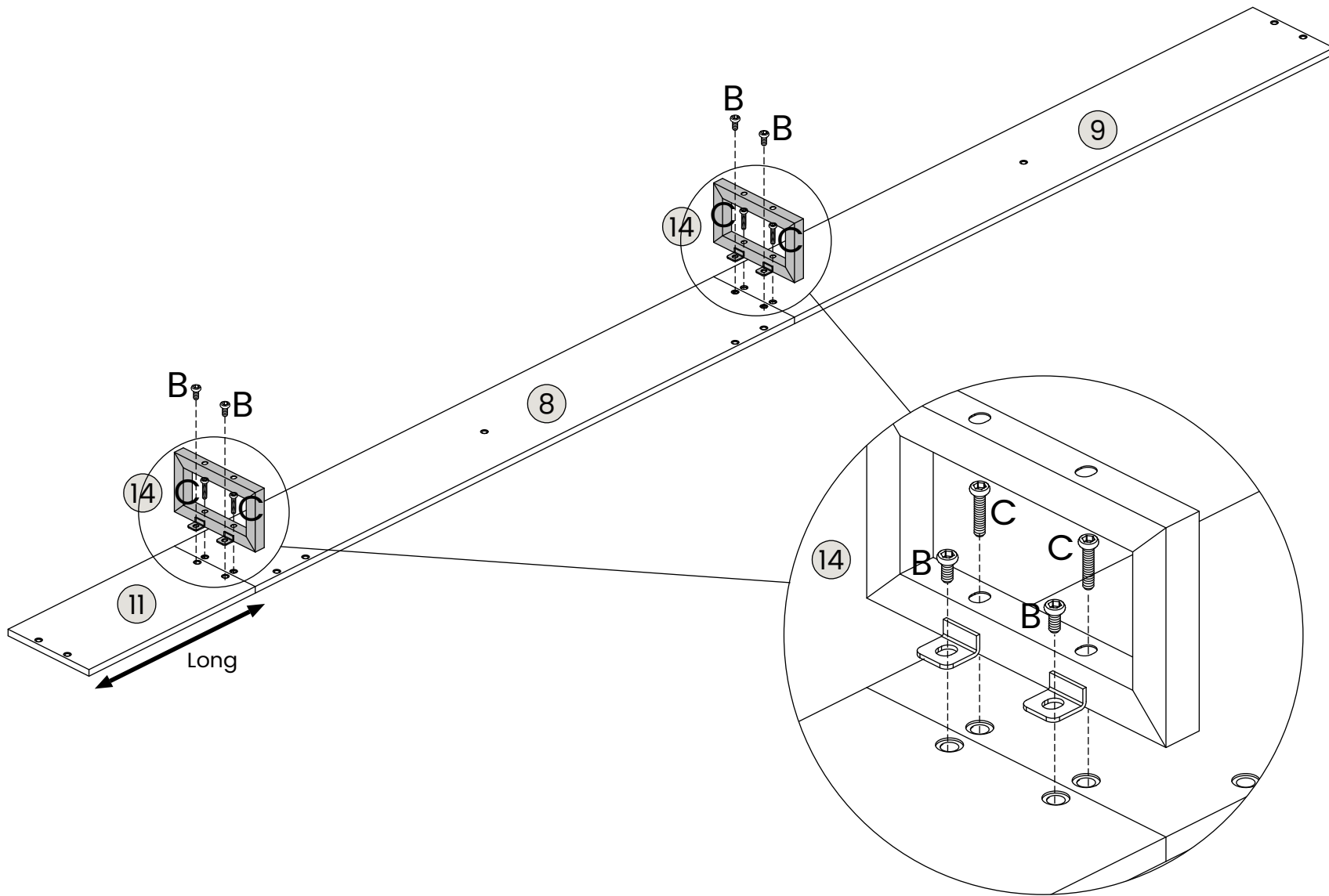
ST4X14MM

Kx1

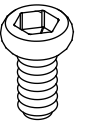


Assembly Instruction

88

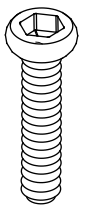


B x4



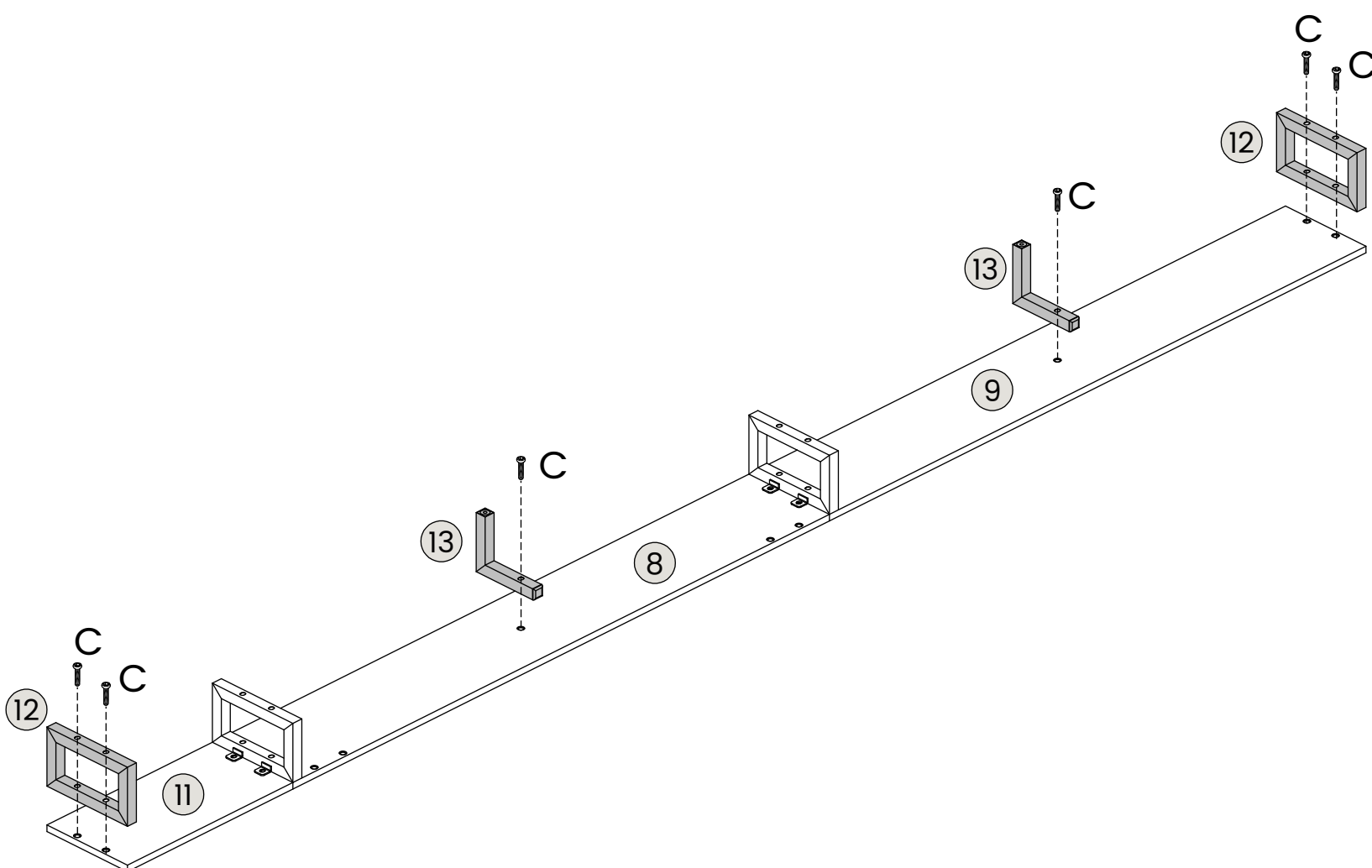
M 6X10MM

C x4

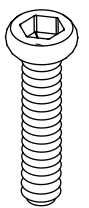


M6X28MM

89



C x6

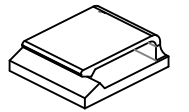


M6X28MM

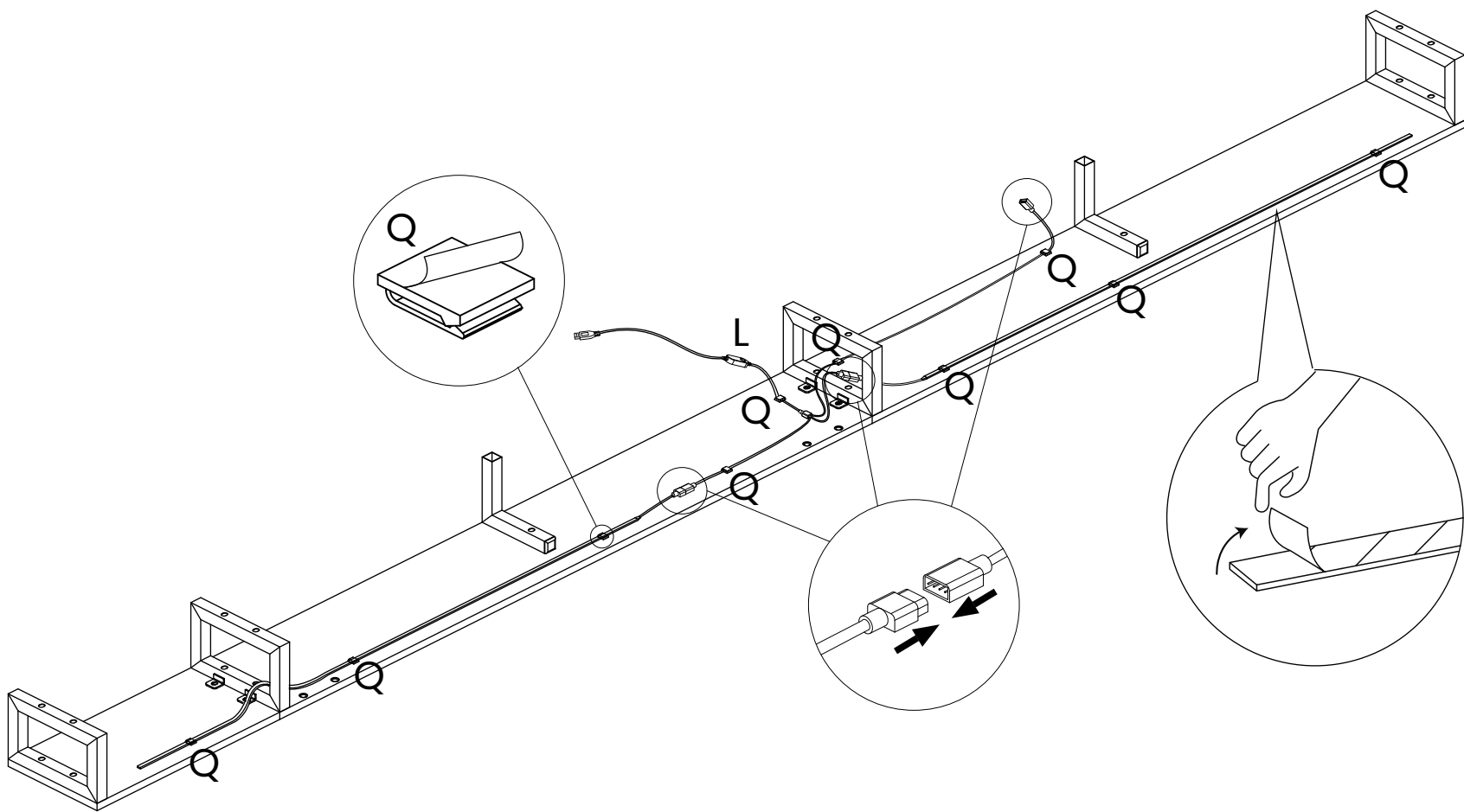
Assembly Instruction

90

Qx10

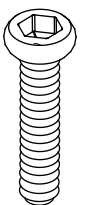


L x1

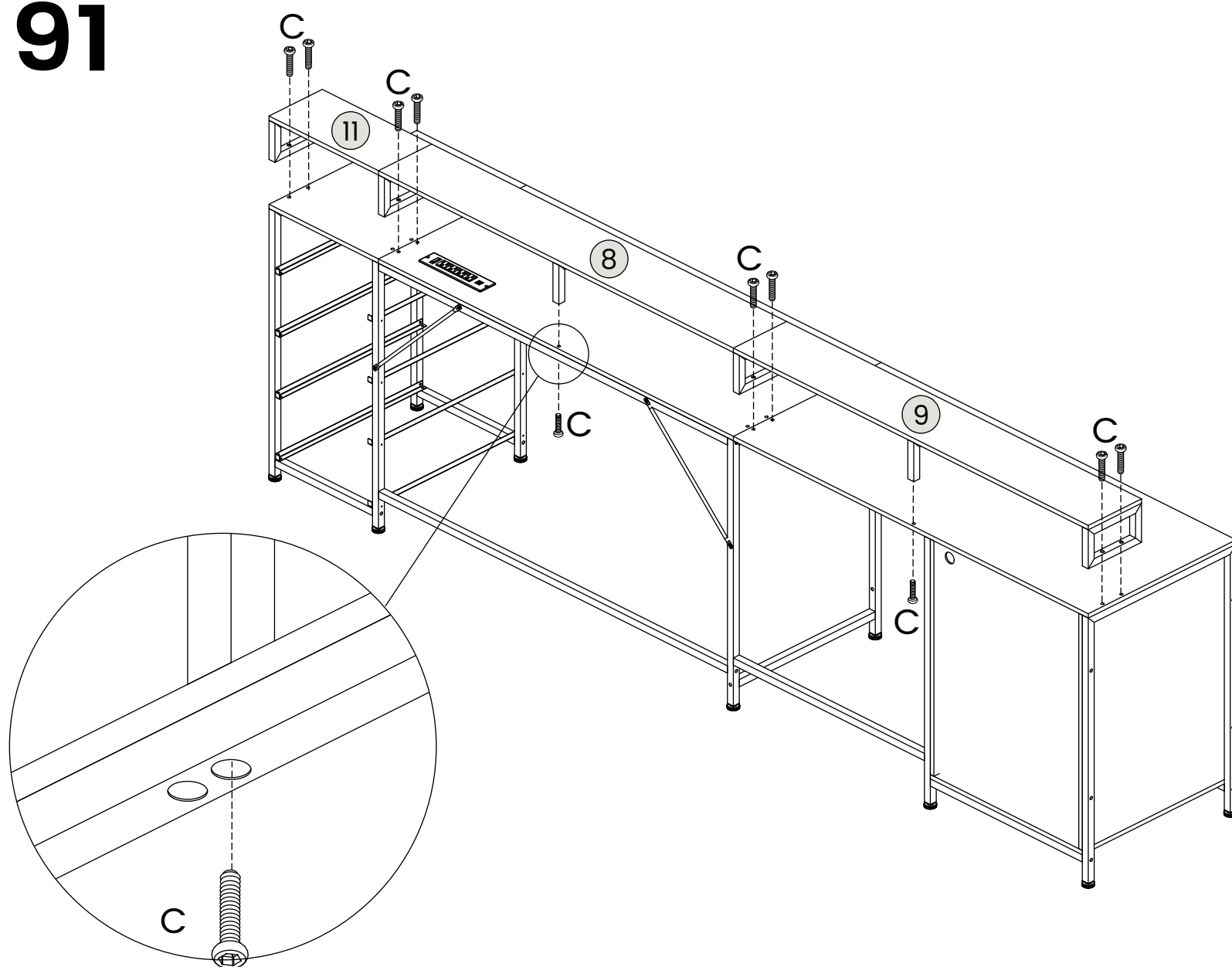


91

Cx10



M6X28MM



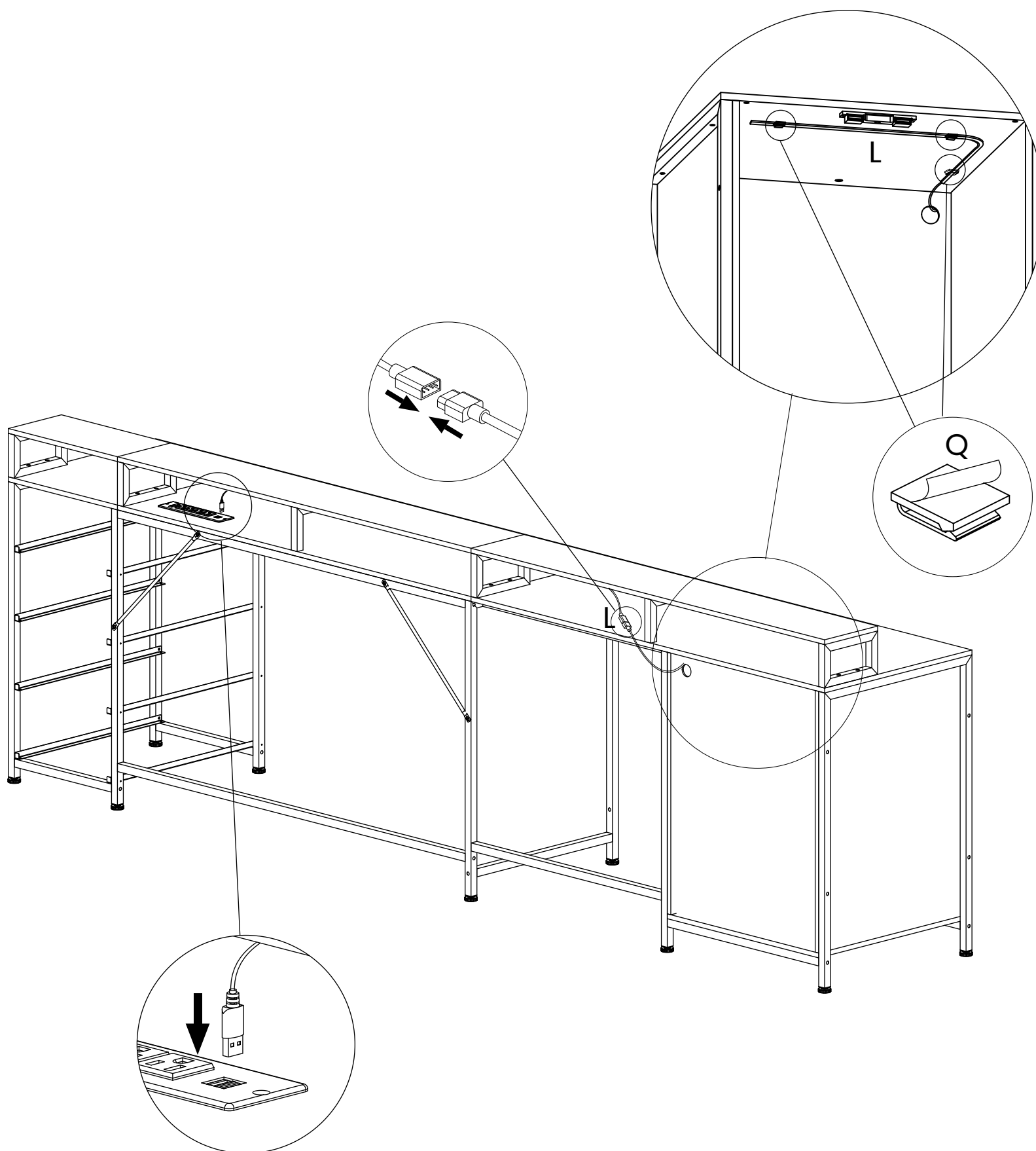
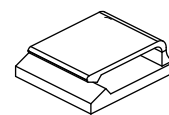
Assembly Instruction

92

L x1



Qx3



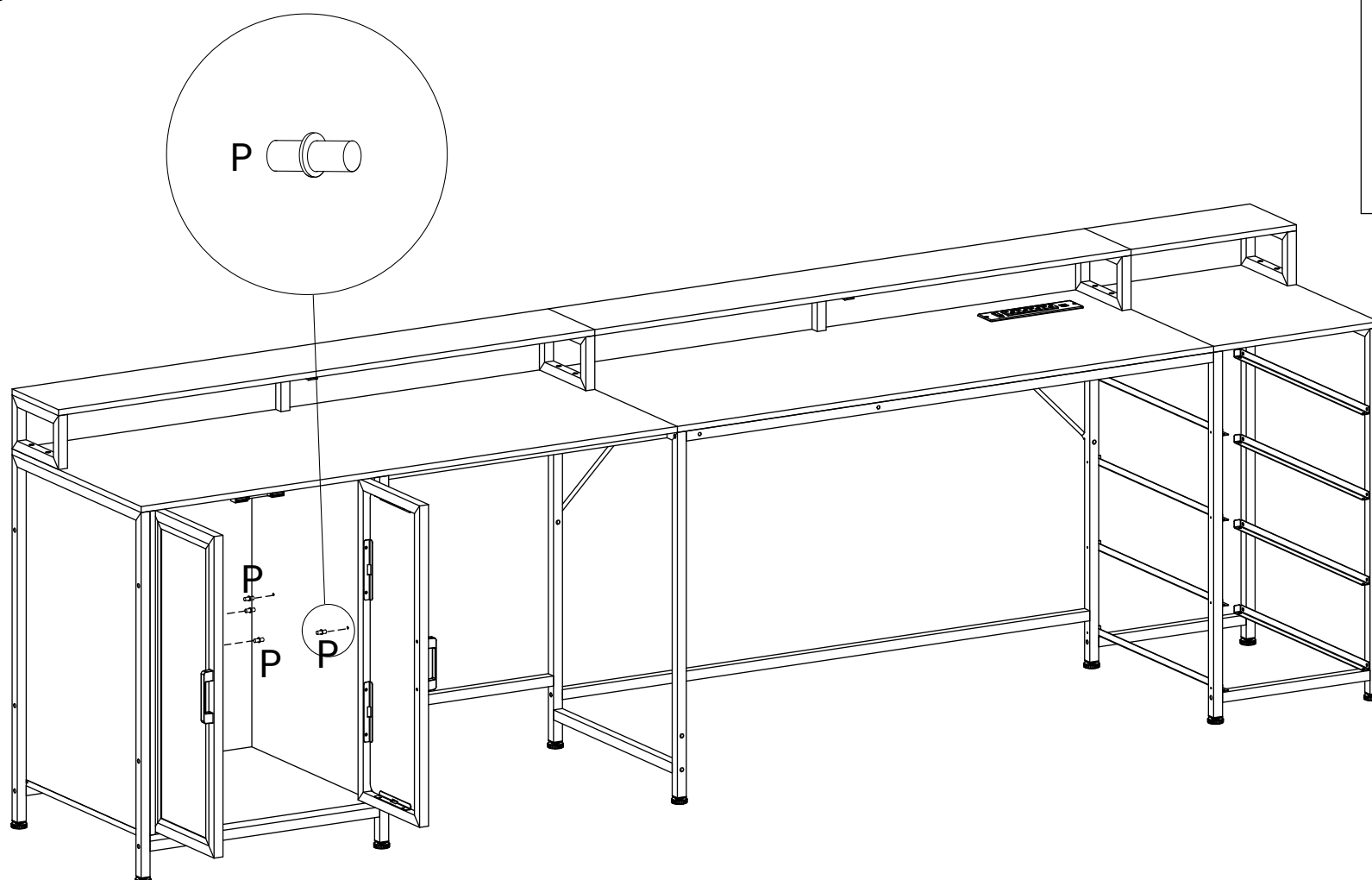
Assembly Instruction

93

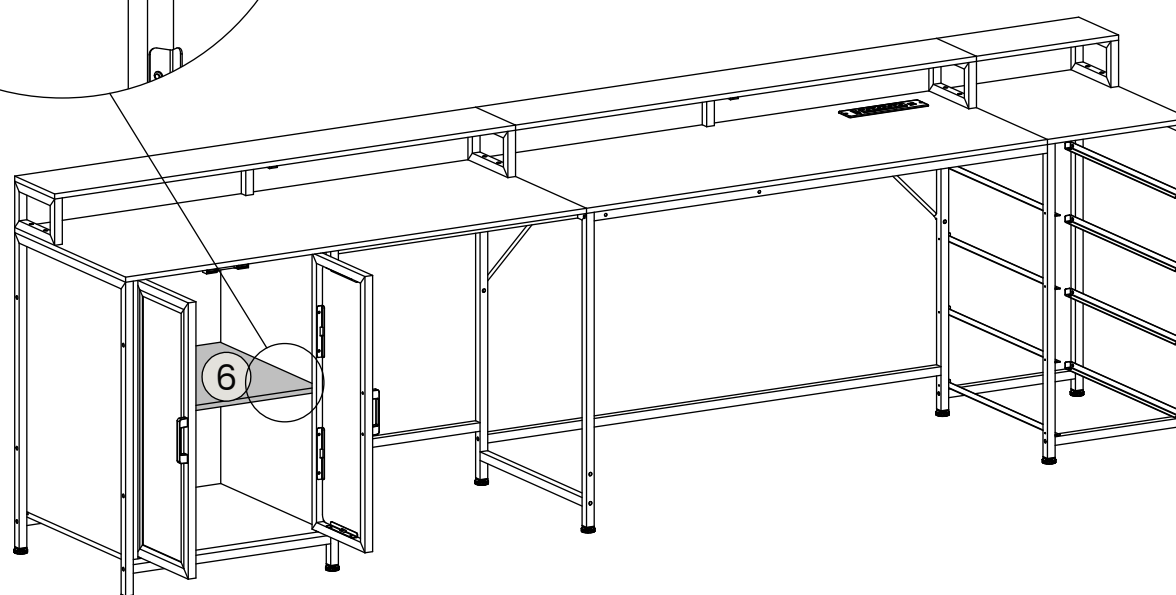
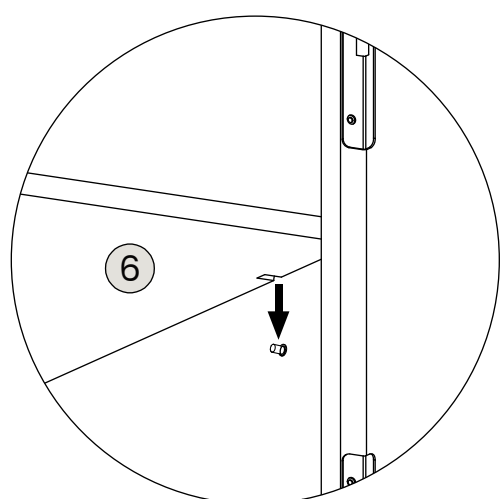
P x4



φ5X15MM

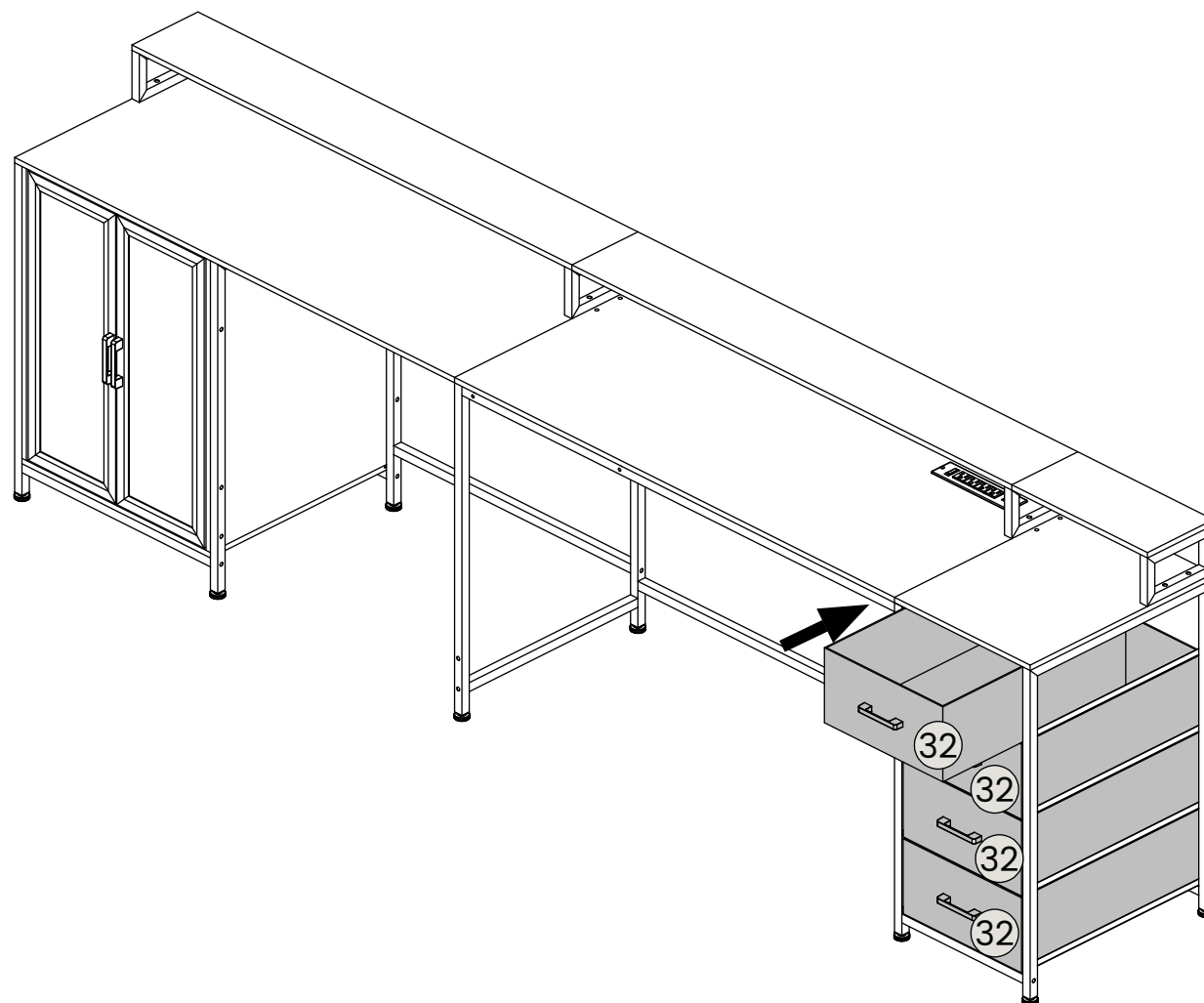


94

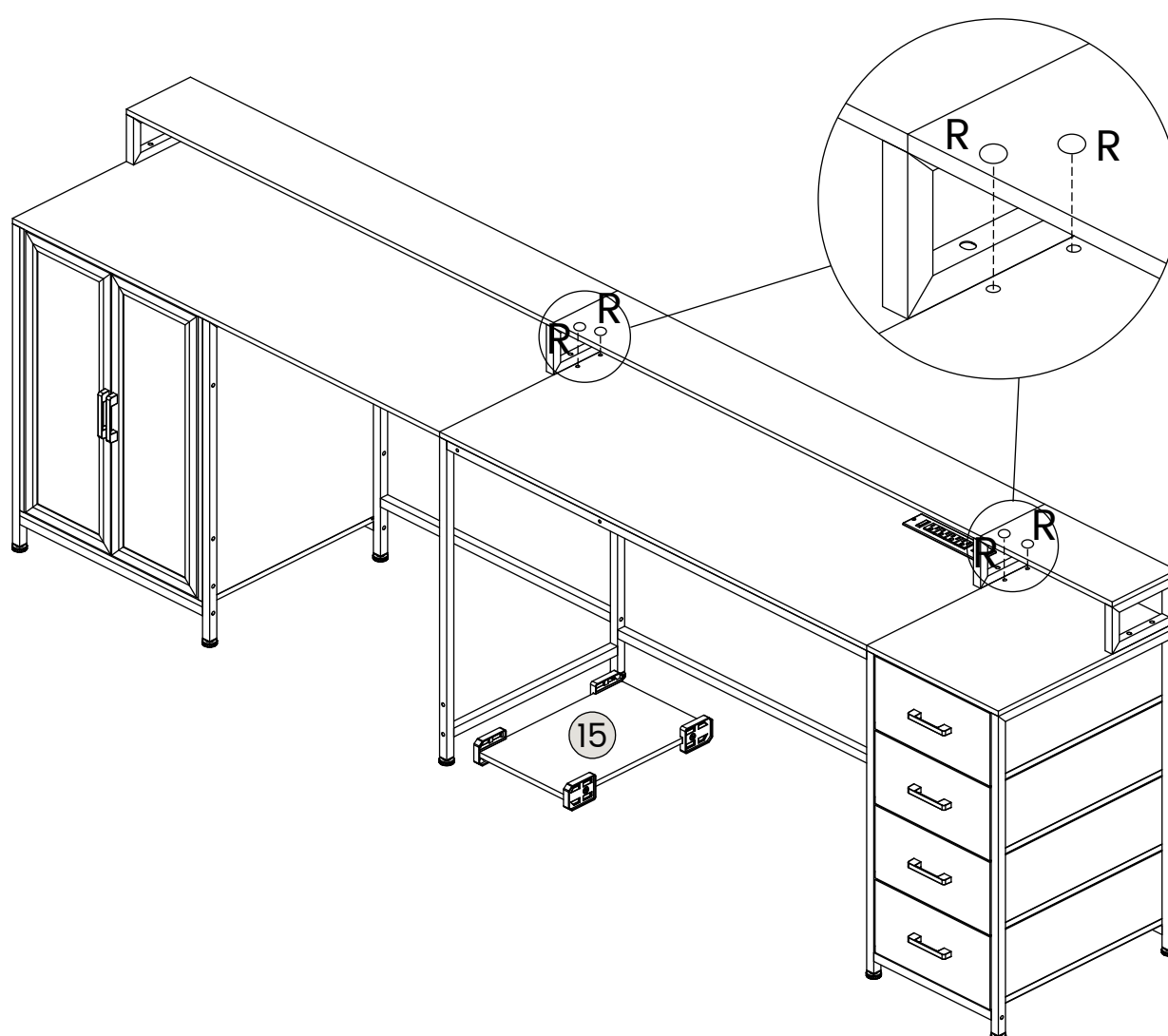


Assembly Instruction

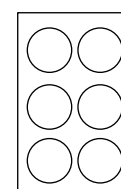
95



96



R x1





3-years Warranty

We guarantee your product is free from defects in product materia and workmanship for three (3) years starting from the date of purchase during normal use of household conditions. If your appliance fails to operate properly within our warranty period, We will send the corresponding accessories, Replacement is free and all shipping costs are covered



Quick Response within 24 Hours

If you are still unable to resolve the issue, please contact us order page for customer support. Whether the product has been installed or not, our customer support team will respond within 24 hours and assist you promptly.

Problems You May Encounter

Part	Problem	Solution
Cloth drawers	Why use cloth drawers	<ol style="list-style-type: none"> 1. Reducing tree extraction is more environmentally friendly 2. More convenient to use and assemble 3. Reduced the thickness of the side panel, resulting in a larger actual storage space
Whole Product	Parts are missing, defective or having wrong parts in package	You can contact us and we will get back to you within 24 hours
	Having issue(s) while reading the instruction or completing the assembly	Feel free to contact us and we will get back to you within 24 hours
	Encountering non-human caused damage during usage	If the product is damaged due to non-human causes, please keep the product and send us photos of it. We will ascertain the cause of the product damage within 48 hours and provide you with a satisfactory solution
Table Surface	Board surface is broken, scratched or lacks some screw holes	Feel free to contact us and we will get back to you within 24 hours
	The screw holes on the board and the steel frame don't line up	<ol style="list-style-type: none"> 1. Please tighten the screws on the board by 70%, do not tighten completely 2. Adjust board and steel frame until the screw holes are lined up, then tighten all the screws
	The desk board is uneven or not tight, has gaps after being assembled	<ol style="list-style-type: none"> 1. Loosen the screws in the uneven or gap positions; adjust until the desktops are flat and tight, then tighten the screws 2. If your problem still can't be solved, please feel free to contact us
Steel Frame	The steel frame is bent, broken, painted, rusted or damaged	Feel free to contact us and we will get back to you within 24 hours
	The table is unstable after being assembled	<ol style="list-style-type: none"> 1. Check if the screws are tightened 2. Read through the manual, check if there are any parts installed incorrectly or missing assembly 3. If your problem still can't be solved, please feel free to contact us
	Encountering non-human caused damage during usage	If the product is damaged due to non-human causes, please keep the product and send us photos of it. We will ascertain the cause of the product damage within 48 hours and provide you with a satisfactory solution