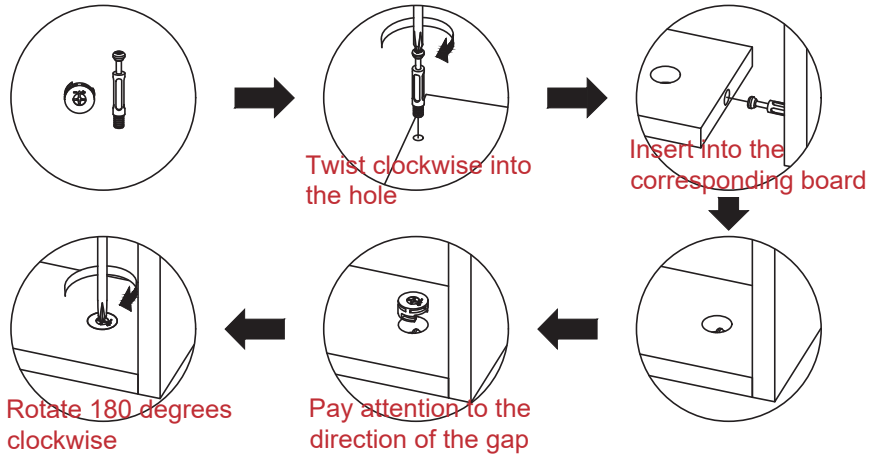
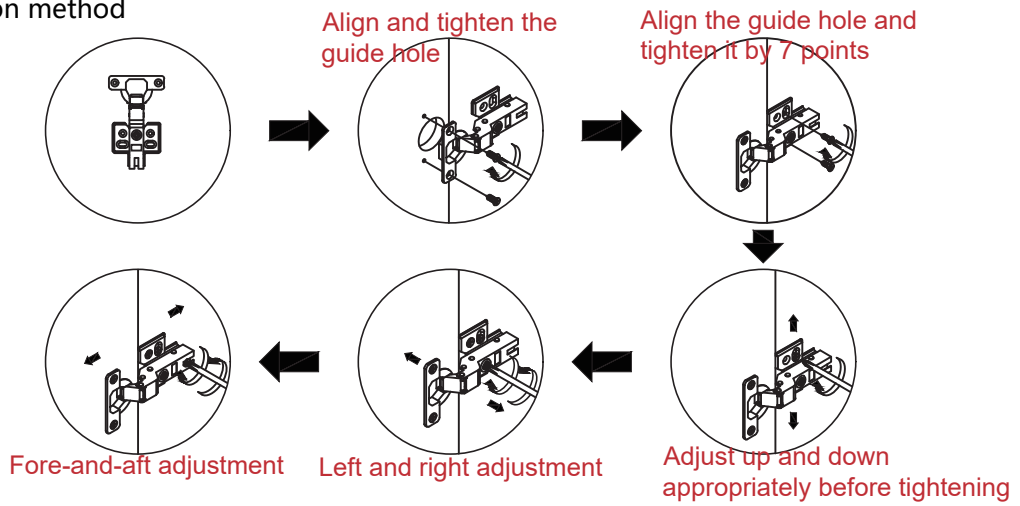


x2

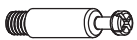
Eccentric installation principle



Hinge installation method



A



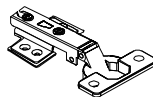
x31

B (φ12)



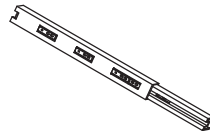
x31

C



x2

D



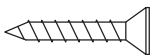
x3

E (φ3.5x12)



x50

F (φ4x30)



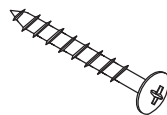
x12

G



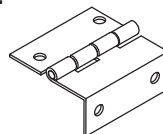
x22

H



x22

I



x2

J



x4

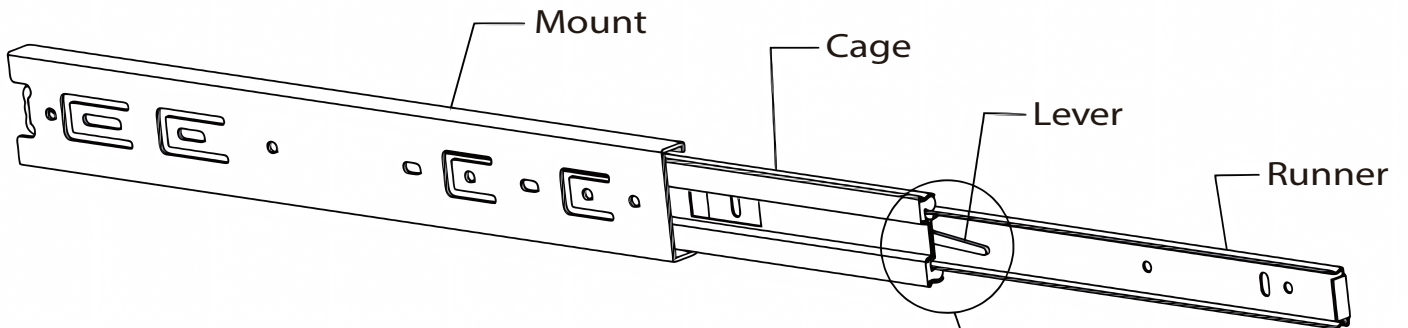
K



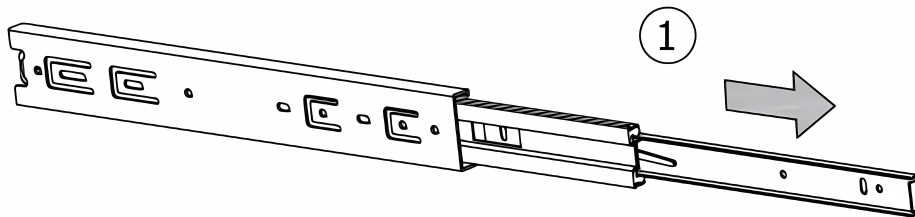
x12

Warm Reminder

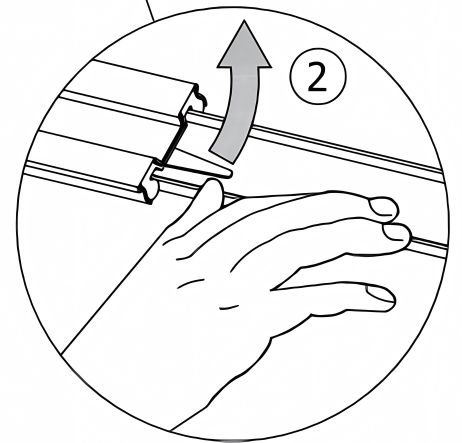
Before installing the drawer rail, you need to separate the Part-1 and Part-2 first.



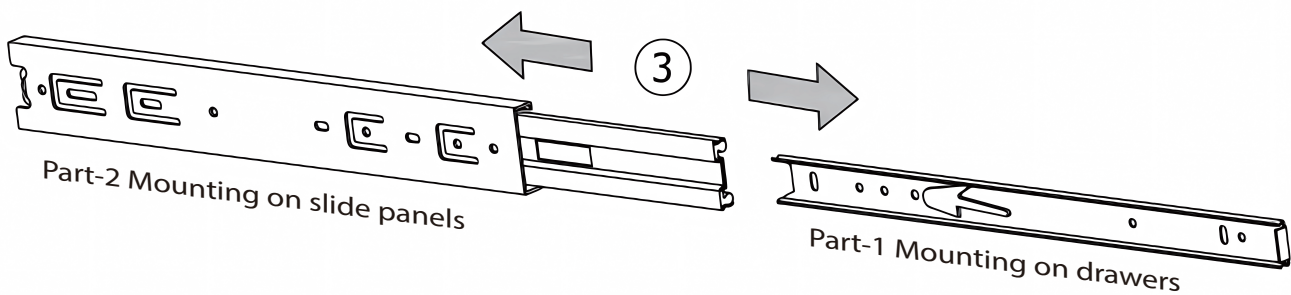
STEP 1:Extend Slider



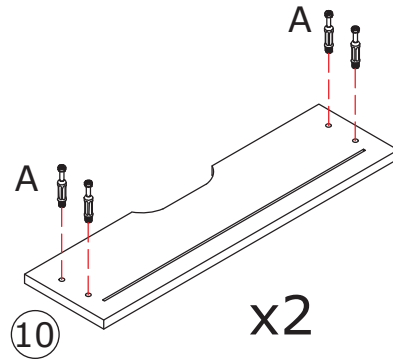
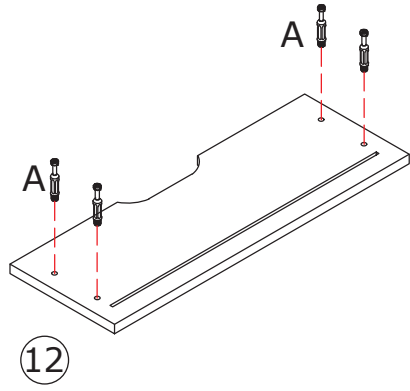
STEP 2:Push Lever Up



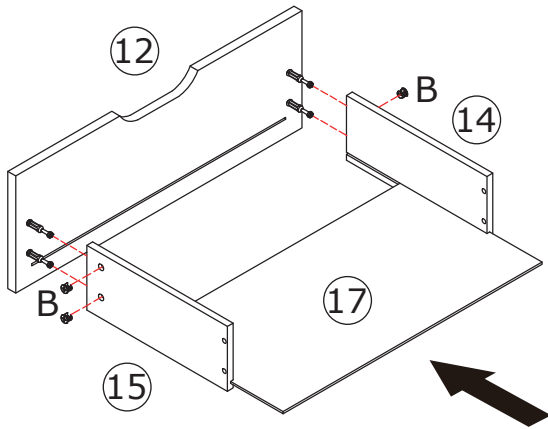
STEP 3:Remove Runner



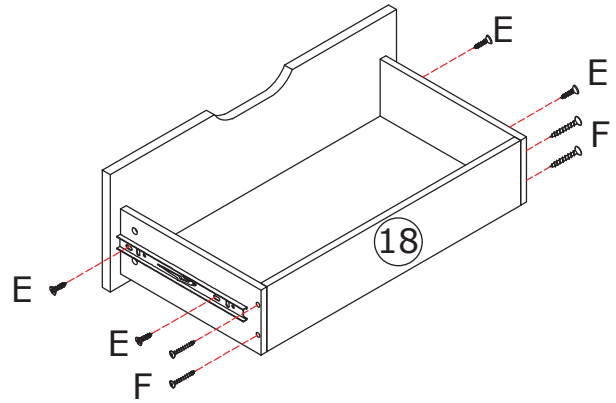
1



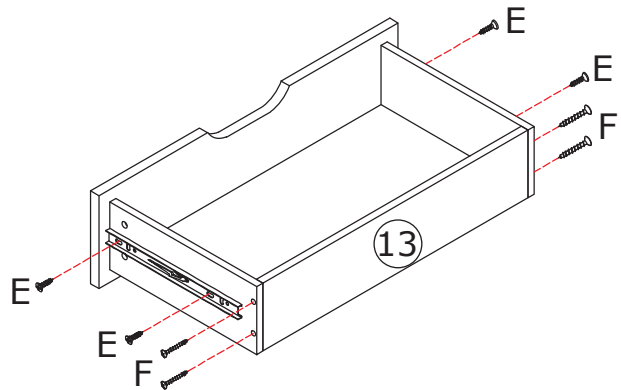
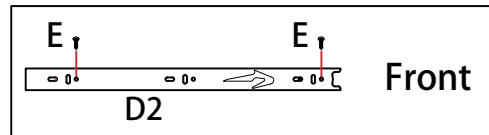
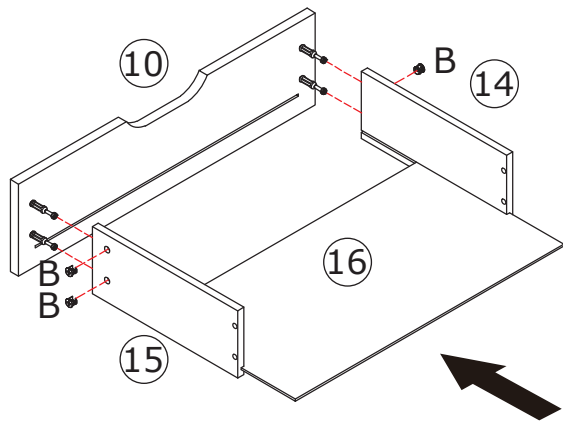
2



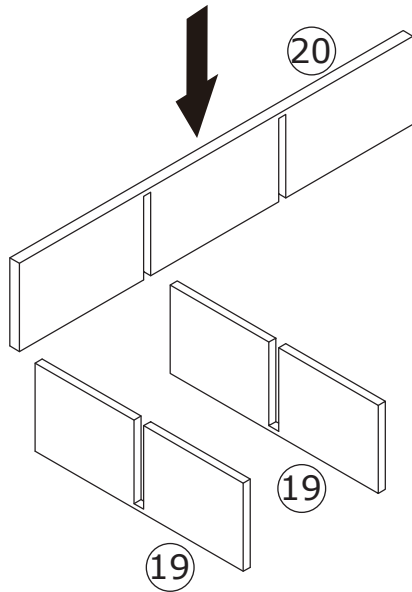
4



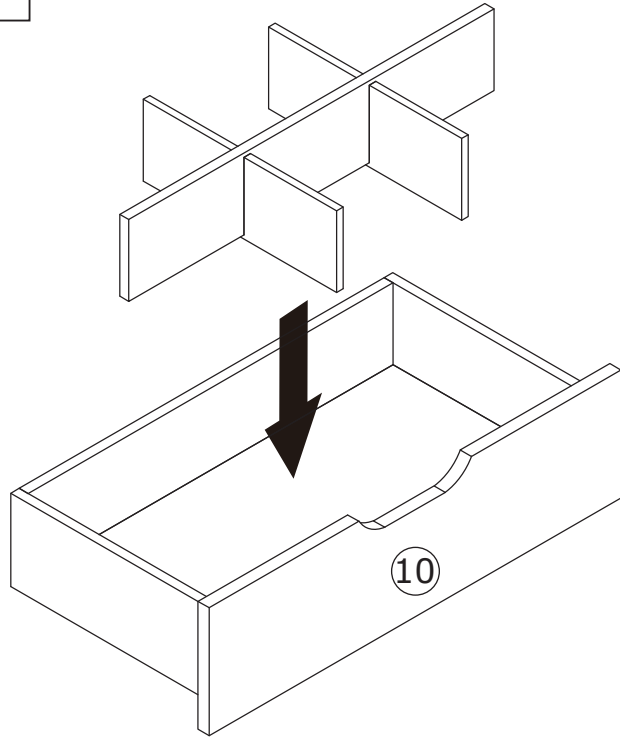
3



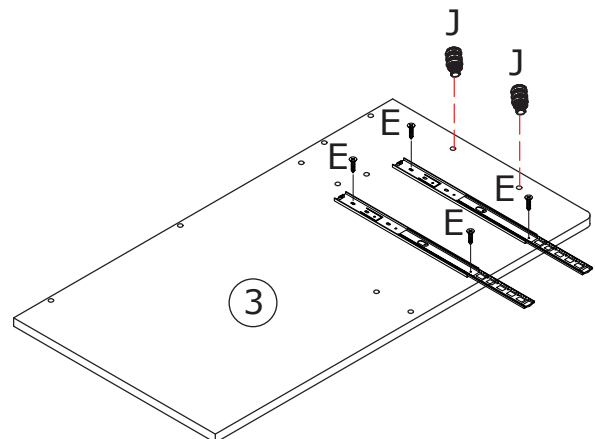
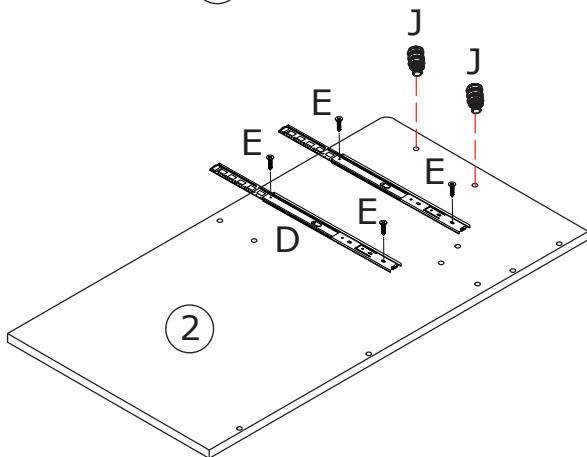
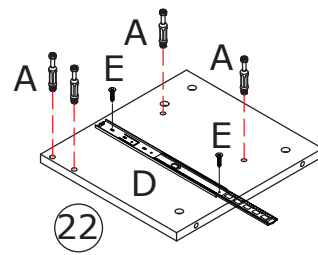
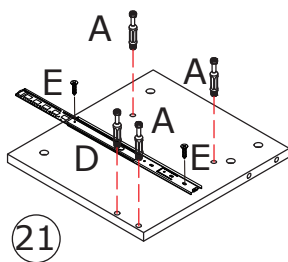
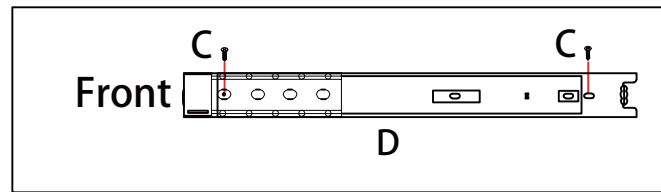
5



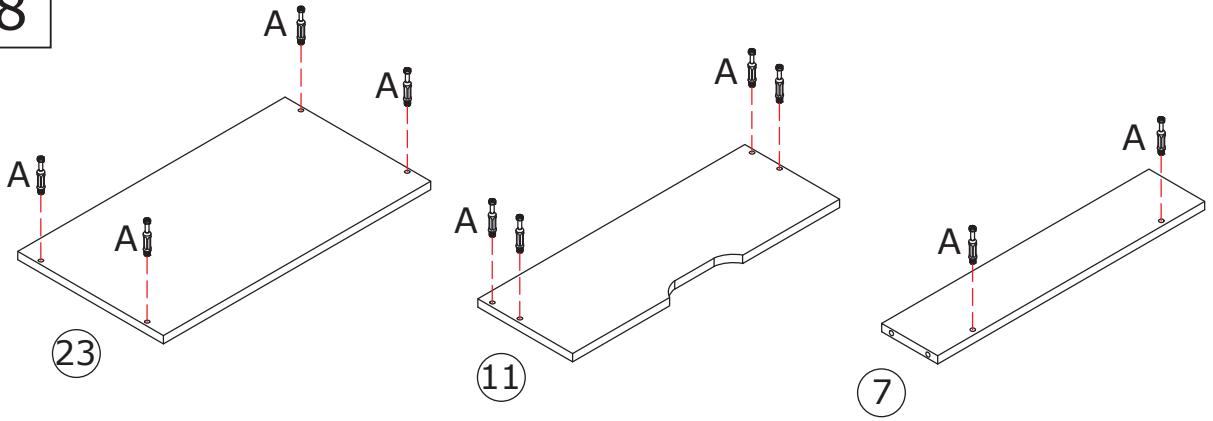
6



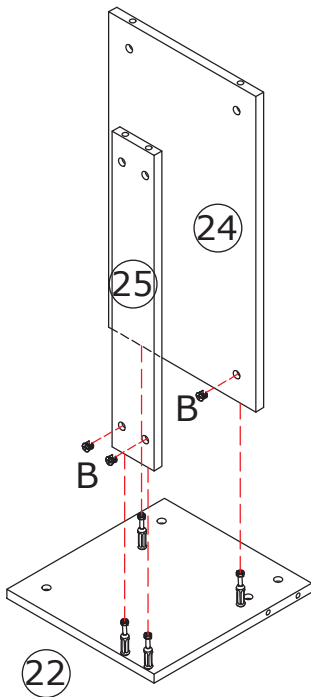
7



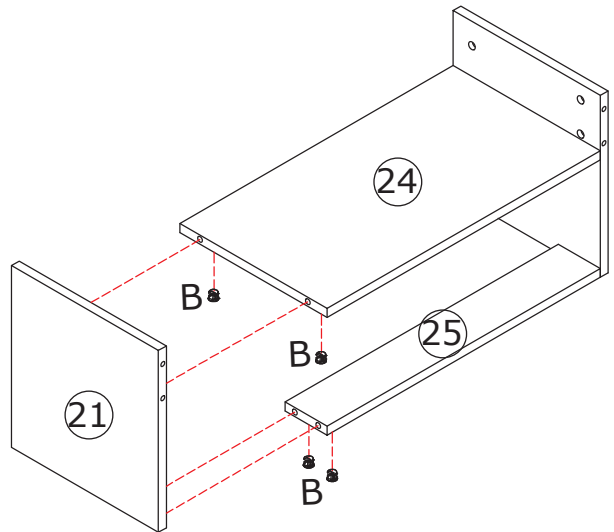
8



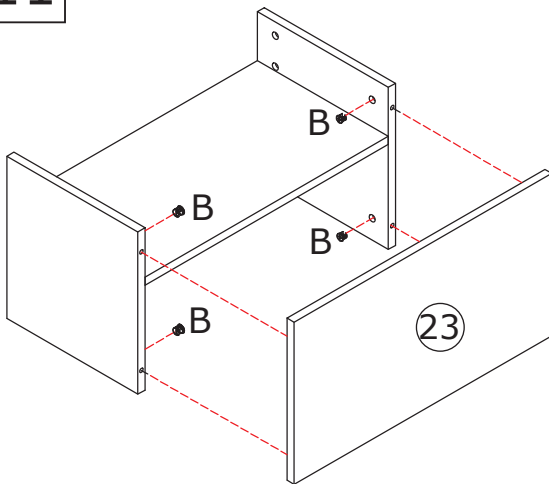
9



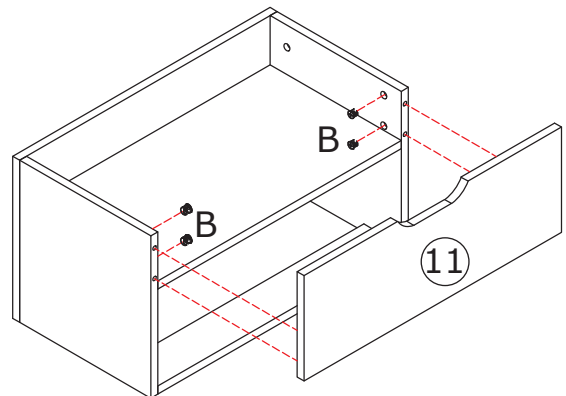
10



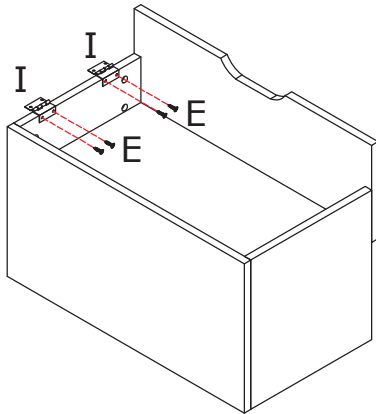
11



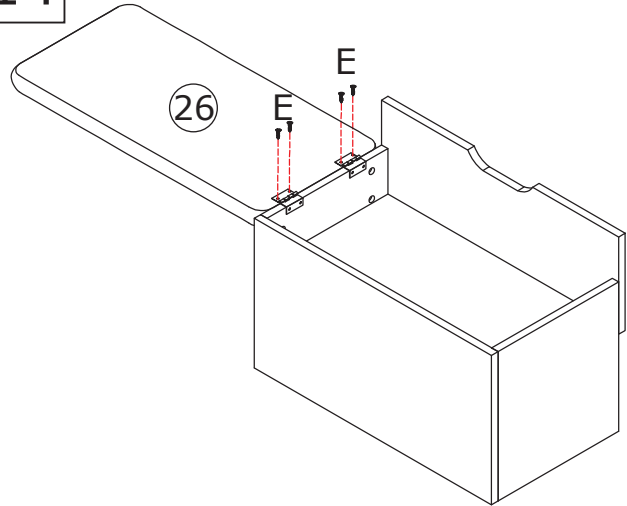
12



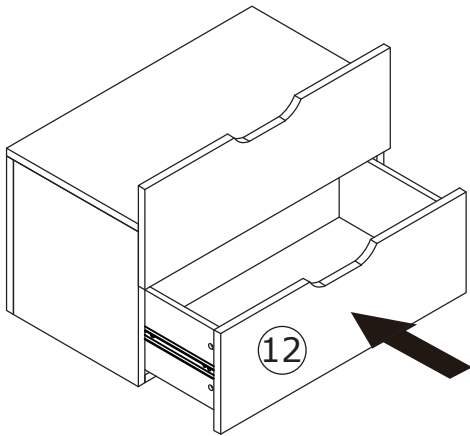
13



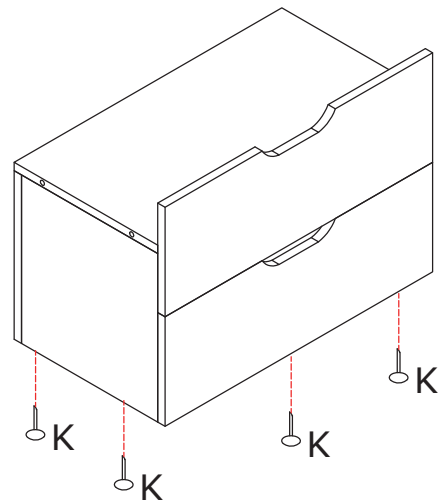
14



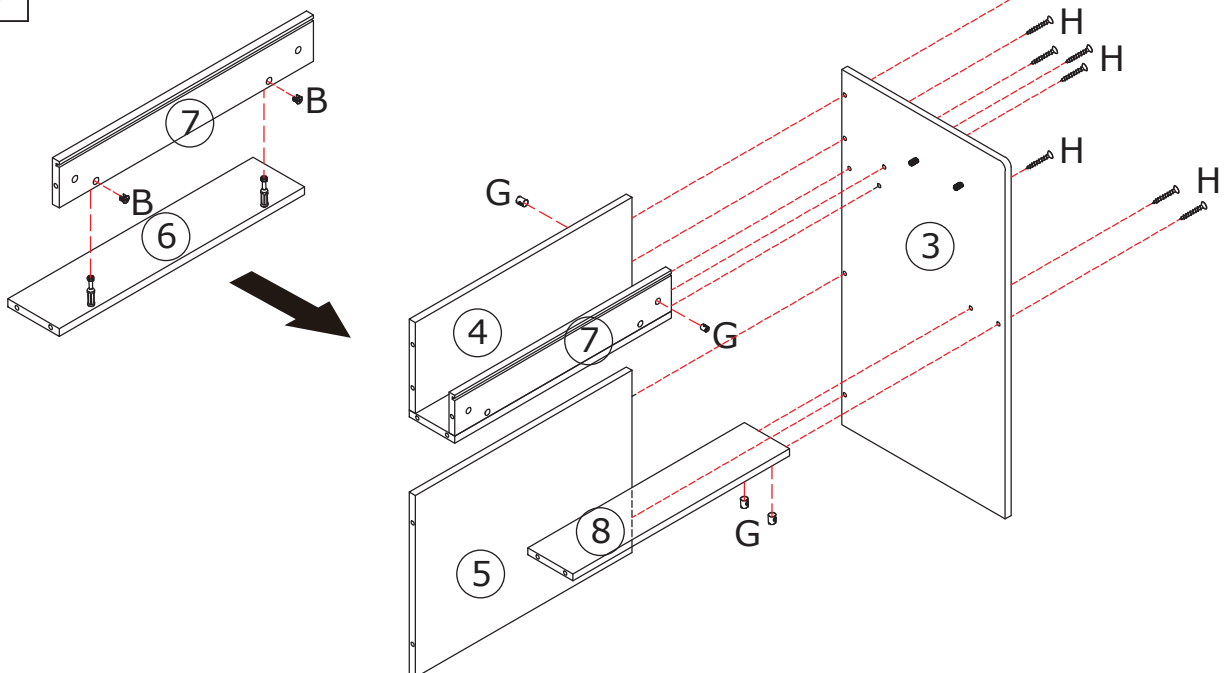
15



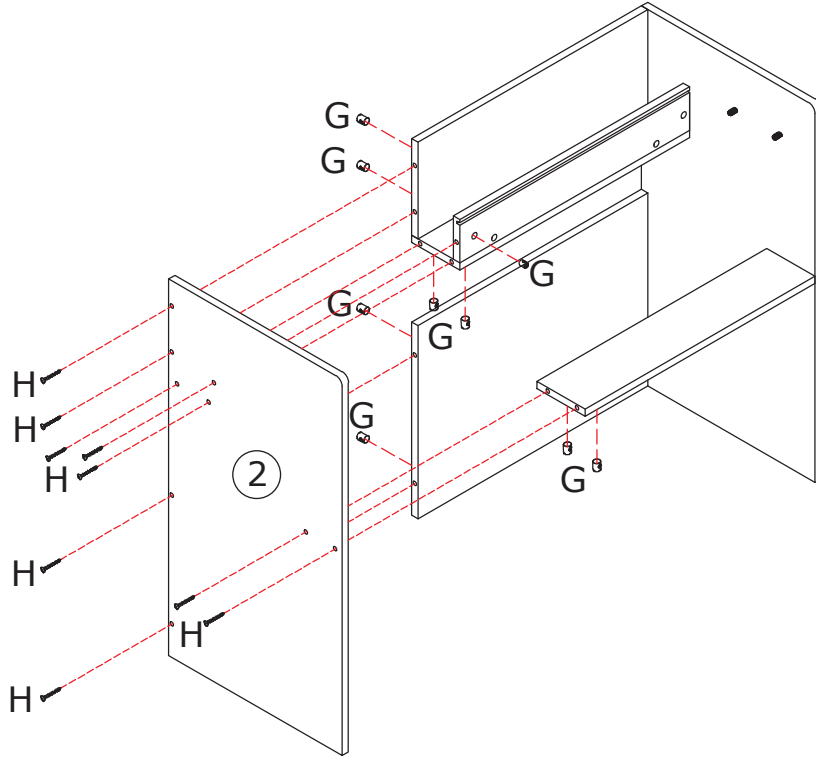
16



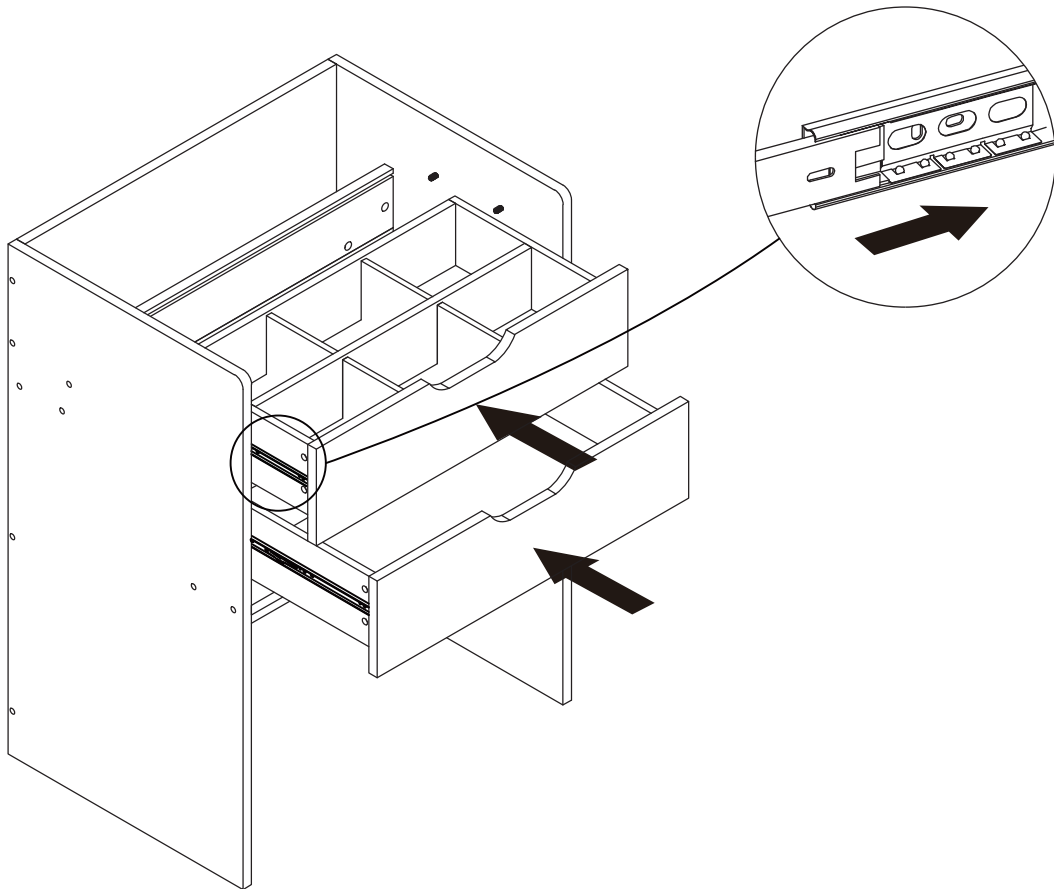
17



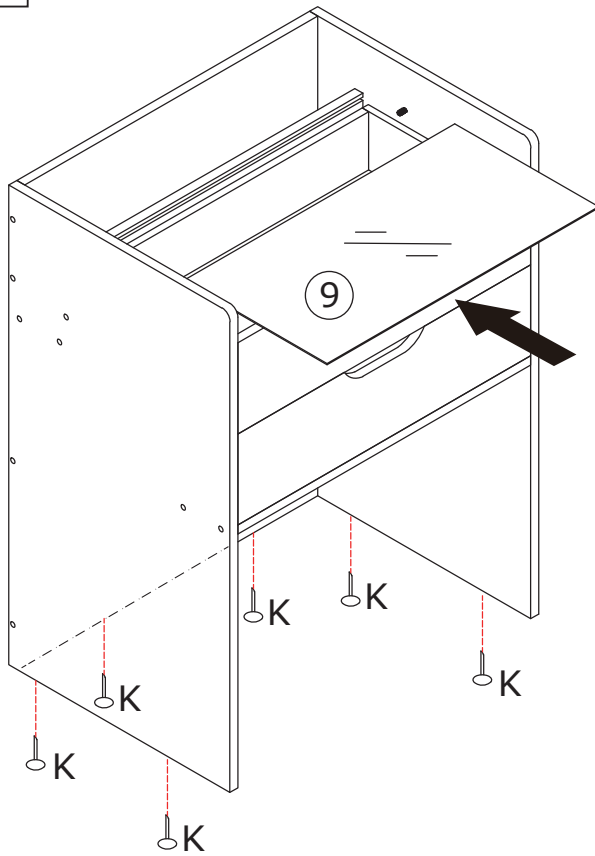
18



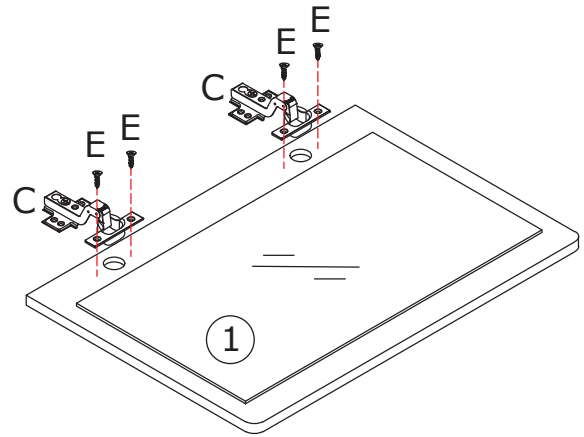
19



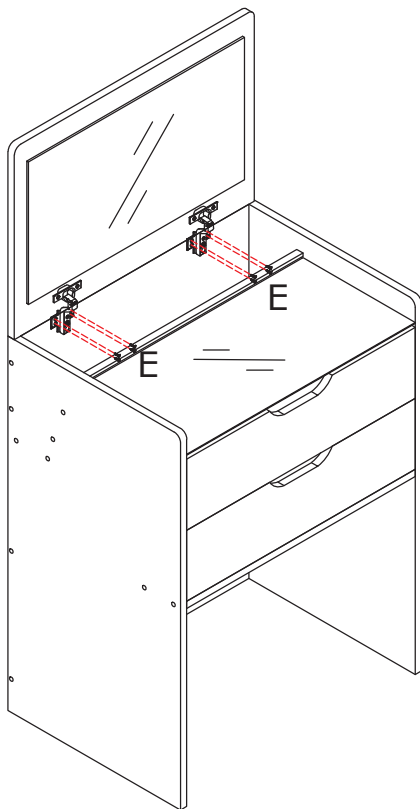
20



21



22



23

