

Features

- KOHLER cast iron
- With overflow
- 4" (102 mm) centers
- 24" (610 mm) x 18" (457 mm)



ADA

CSA B651

OBC

Codes/Standards

ASME A112.19.1/CSA B45.2

ADA

ICC/ANSI A117.1

CSA B651

OBC

All applicable US Federal and State material regulations

KOHLER® Lifetime Limited Warranty for Cast Iron Components

See website for detailed warranty information.

Available Color/Finishes

Color tiles intended for reference only.

Color	Code	Description
-------	------	-------------



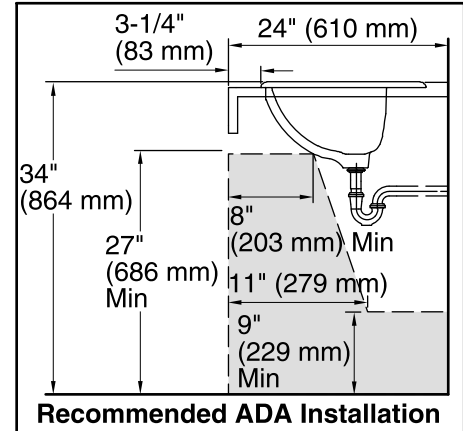
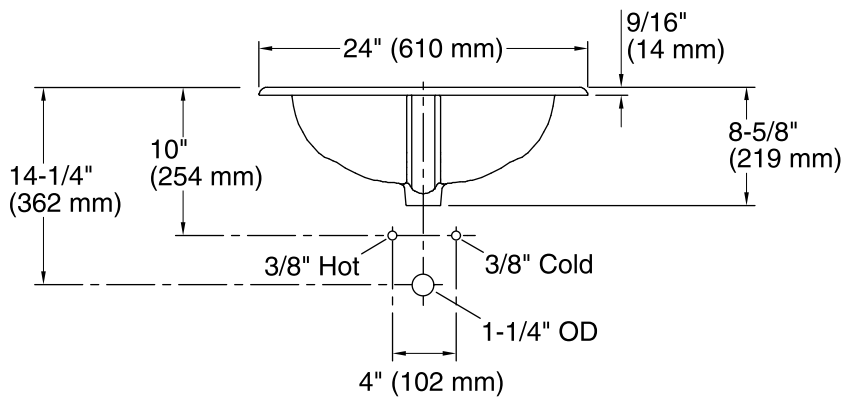
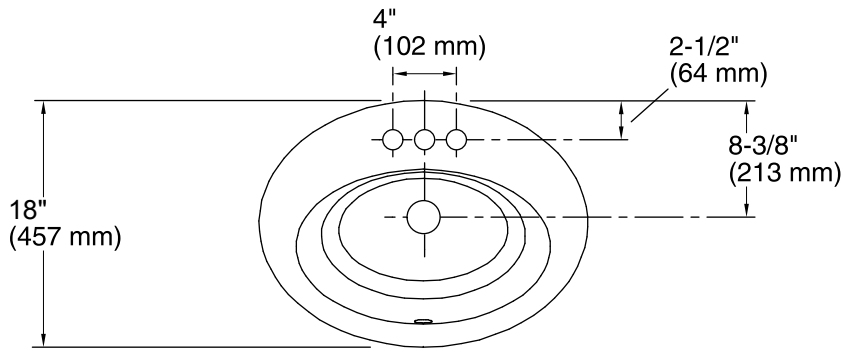
0 White



96 Biscuit



47 Almond



Technical Information

All product dimensions are nominal.

Installation:	Drop-In
Number of deck holes:	3
Faucet hole(s):	1-3/8" (35 mm)
Drain hole:	1-11/16" (43 mm)
Template:	Drop-in, 114535-7, required, included

Notes

Install this product according to the installation guide.

NOTICE: Countertop manufacturer or cutter must use the current product template available at www.kohler.com, or by calling 1-800-4KOHLER. Kohler Co. is not responsible for cutout errors when the incorrect cutout template is used.

ADA, OBC, CSA B651 compliant when installed to the specific requirements of these regulations.