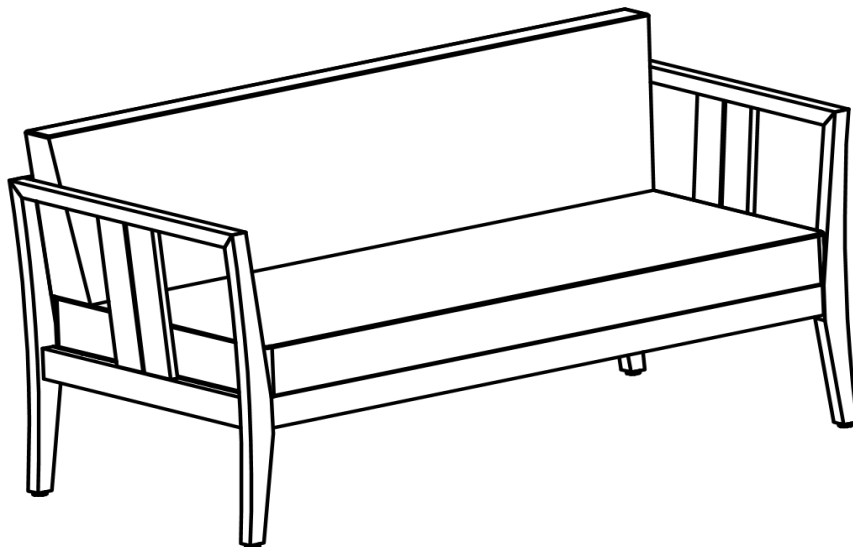


# Assembly Instructions

## LOVESEAT

**CAUTION:** You must read this before you proceed

**Please look in the Seat Panel of the Chair for hardware packs**

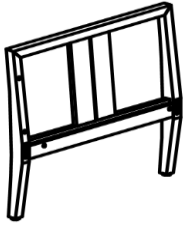
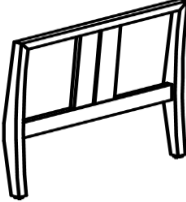
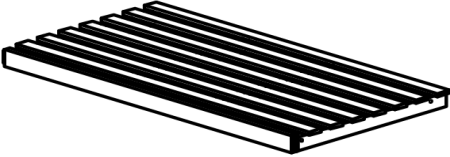
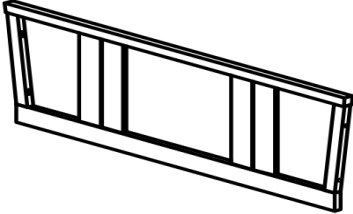
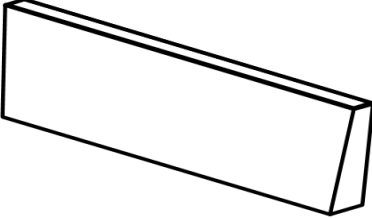
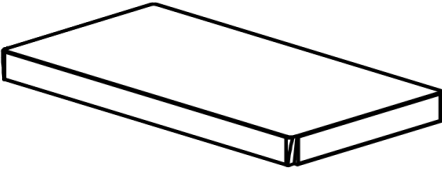


**CAUTION: This Loveseat is NOT a TOY.**



Keep your child/children at bay during the assembly process.

The Loveseat and its parts are heavy, whenever lifting or moving them, two adults are needed to execute these actions.

## Parts List

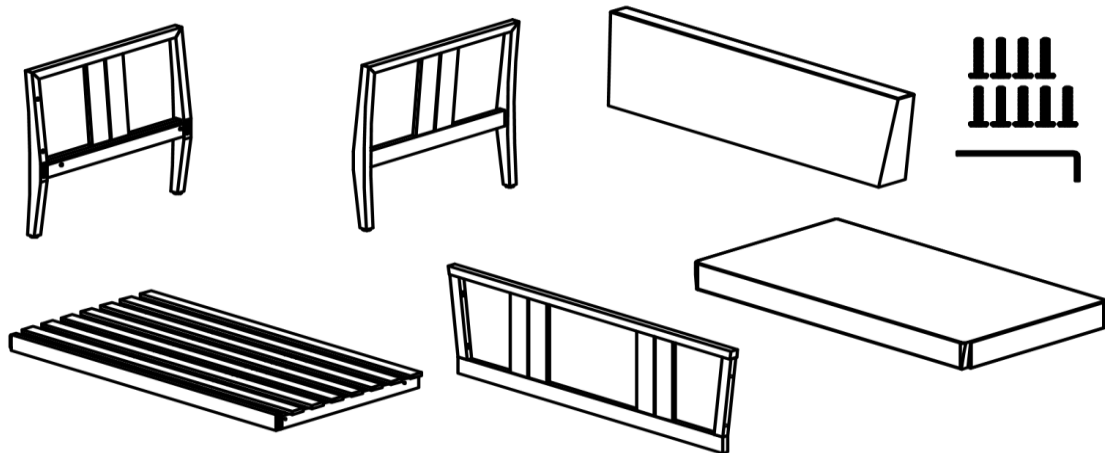
Label	Picture	Description	Qty
I		Right Leg Panel	1
J		Left Leg Panel	1
K		Seat Panel	1
L		Backrest Panel	1
M		Back Cushion	1
N		Seat Cushion	1

## Hardware

Label	Picture	Description	Qty
⑥		Bolt (M6*50mm)	9
⑦		Allen Key	1

## Assembly Preparation

### Before Beginning Assembly:



• Read instruction, cover to cover-



• Have 2 adults on hand for assembly-



• Do not assembly on flooring or carpet-



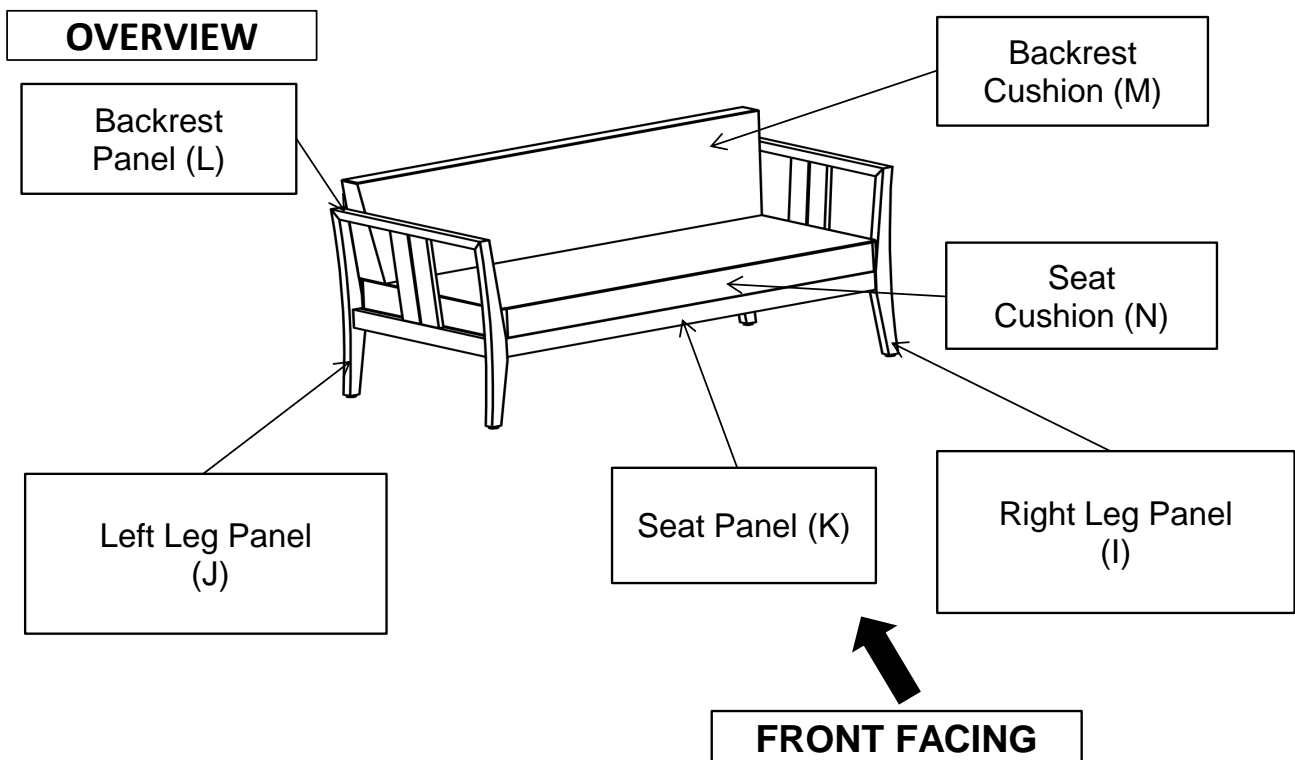
• Assemble on a clean non-marring surface (packing foam)-



• Save all packaging until finished-

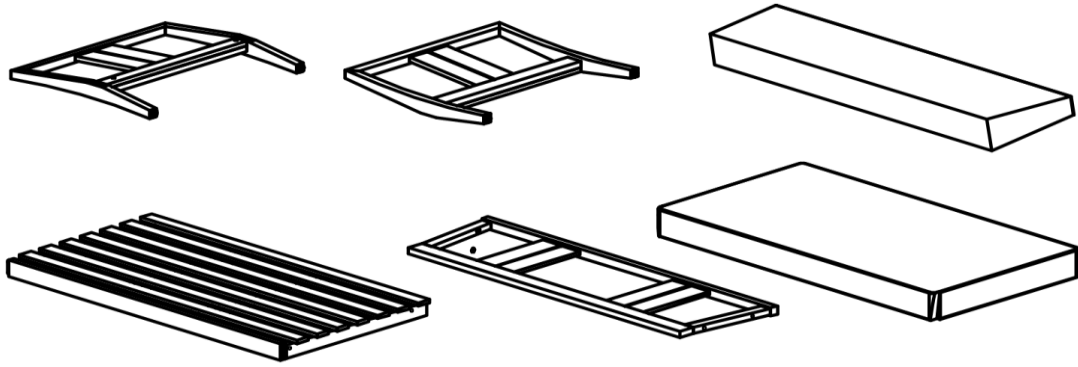
## Assembly Steps

### OVERVIEW



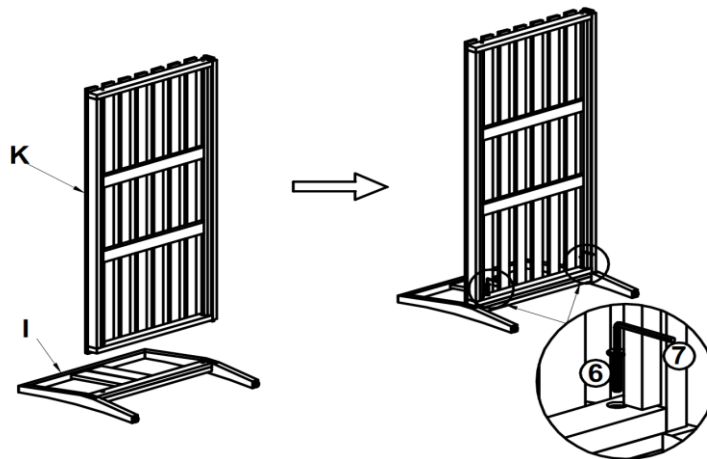
This Chair has multiple parts and may require up to some 30 minutes to assemble. To give you an overview of the Chair, the above picture is to help you put the various parts into perspective. Please read through the instructions here below to familiarise yourself with the parts and steps before assembly.

### Step 1



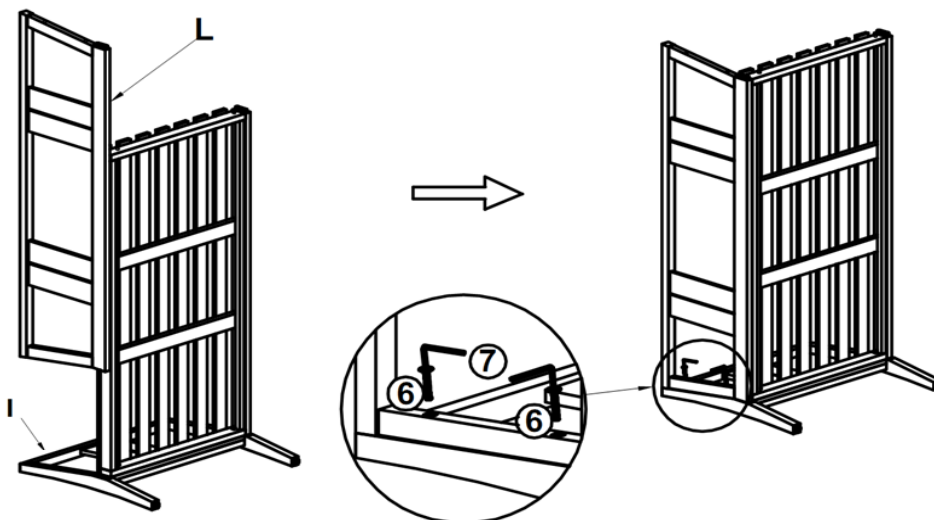
Unpack and place all parts on a clean, non-marring surface.

### Step 2



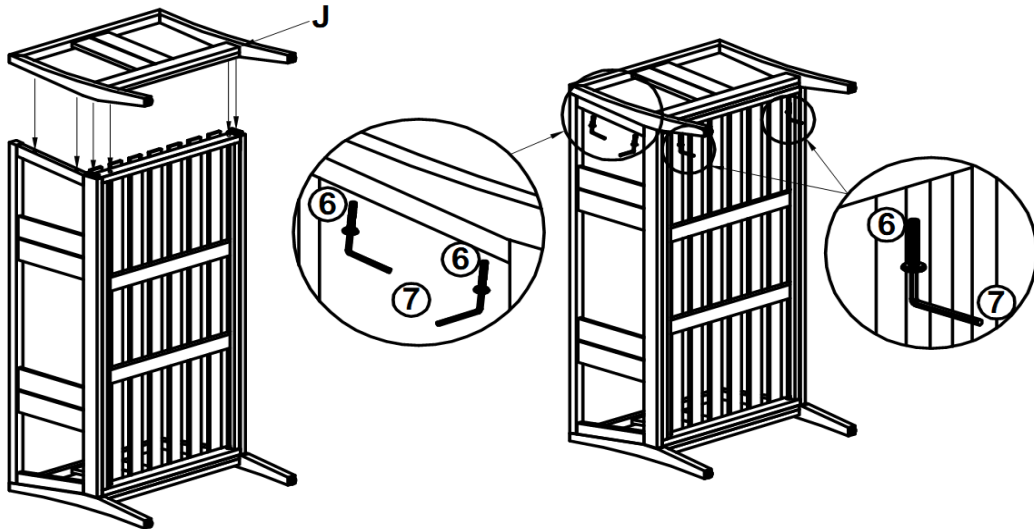
Position the Seat Panel (K) to the Right Leg Panel (I) as shown in above picture. Then attach Seat Panel (K) to Right Leg Panel (I) using 2 Bolts (⑥) and the Allen Key (⑦). **Do not fully tighten the Bolts.**

### Step 3



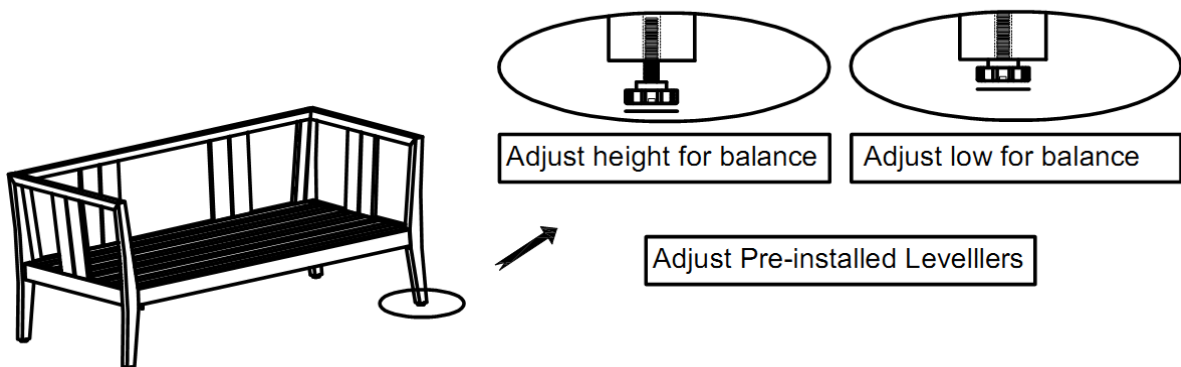
Position the Backrest Panel (L) to the Right Leg Panel (I) as shown in above picture. Then using Bolts (⑥) and the Allen Key (⑦) to attach the Backrest Panel (L) to the Right Leg Panel (I). **Do not fully tighten the Bolts.**

#### Step 4



Position Left Leg Panel (J) to the assembled parts in step 3 as shown in above picture. Then attach the Left Leg Panel (J) to it using Bolts (6) and the Allen Key (7). **Do not fully tighten the Bolts.**

#### Step 5



With the assistance from your adult partners, stand the Loveseat up. Inspect the Loveseat and make sure all parts are connected.

**Gently and Gracefully, sit onto the Loveseat.**

This pressure will help to align all the parts at all the jointed areas.

Then get off the Loveseat, and in a sequential manner, proceed to tighten all Bolts.

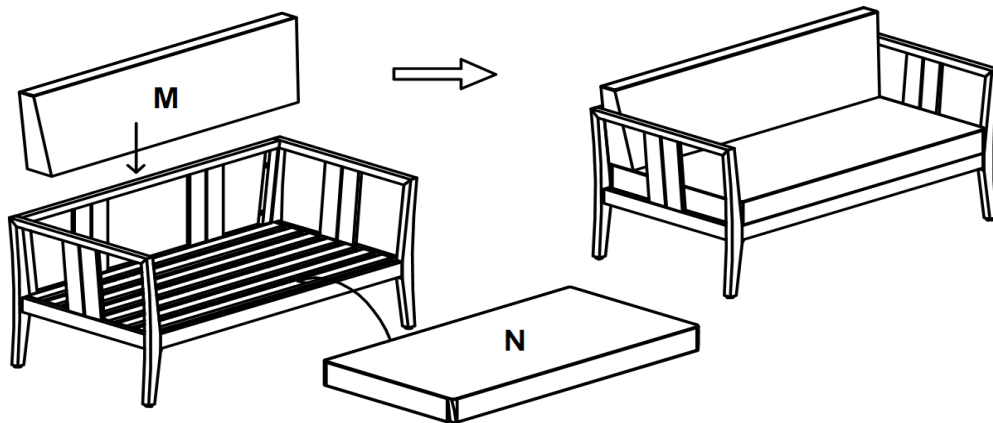
**Whenever moving or lifting the Loveseat be sure to secure assistance from your adult partner(s).**

**When tightening the Bolts, tighten sequentially.**

**DO NOT tighten any Bolt fully and then move on towards the next one.**

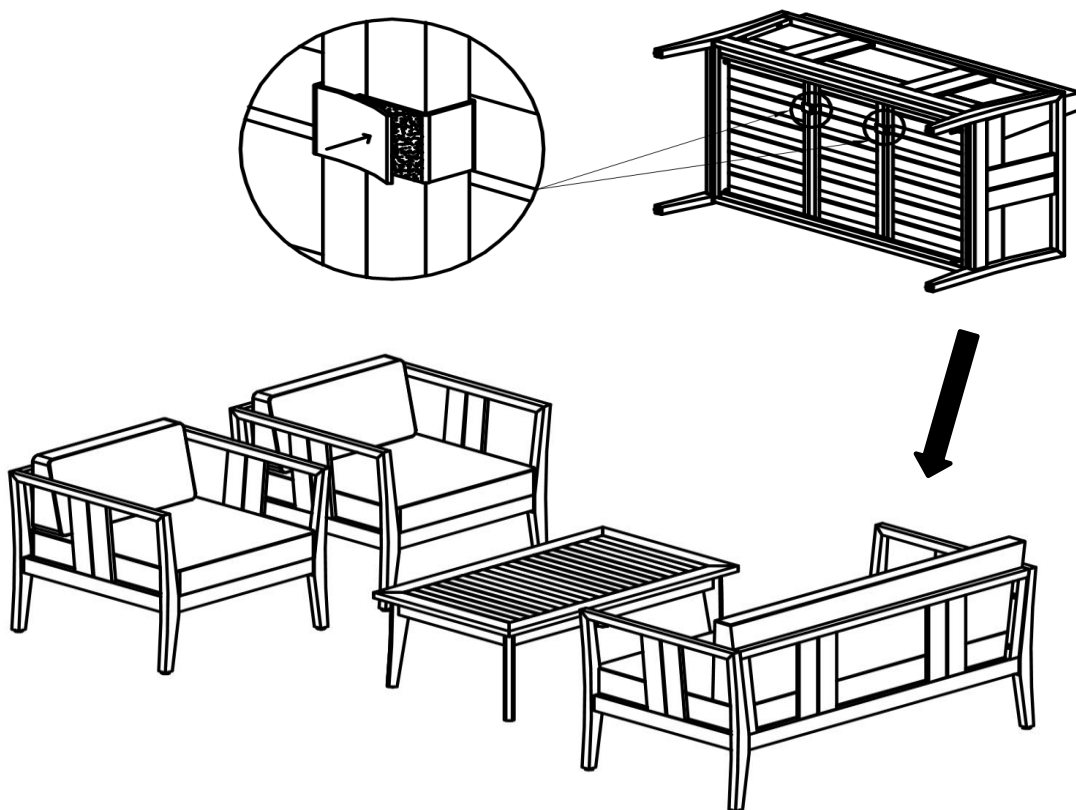
With assistance from your adult partners, adjust the Levellers to desired height to avoid wobbles.

**Step 6**



Place the Back Cushion (M) and the Seat Cushion (N) onto the Loveseat as shown in the picture above.










**Step 7**



Tie the velcro straps of Seat Cushion (N) to the slats of Seat Panel (K).  
Your Loveseat is ready for use.

**This Loveseat can only be used on a flat, level surface.**

## Care & Maintenance

- ⊗  ● Do not put hot items directly on furniture surface.
- ⊗  ● Do not clean furniture with harsh cleansers or polish.
- ✓  ● To obtain the longest lifespan of your outdoor products, minimizing exposure to direct sunlight is recommended.
- ⊗  ● Children should not climb or jump on the furniture.
- ⊗  ● Do not write on furniture without a padded barrier to protect the surface.
- ✓  ● To obtain the longest lifespan of your outdoor products, avoid extended and lengthy exposure to rain, snow, and direct sunshine. Whenever possible cover the product and /or place under patio or awnings.
- ⊗  ● Not for commercial use. For residential use only.
- ⊗  ● Stains may be removed with mild soap solution and damp cloth.
- ✓  ● Dust and pick-up spills using a clean, non-colored, lint-free cloth .