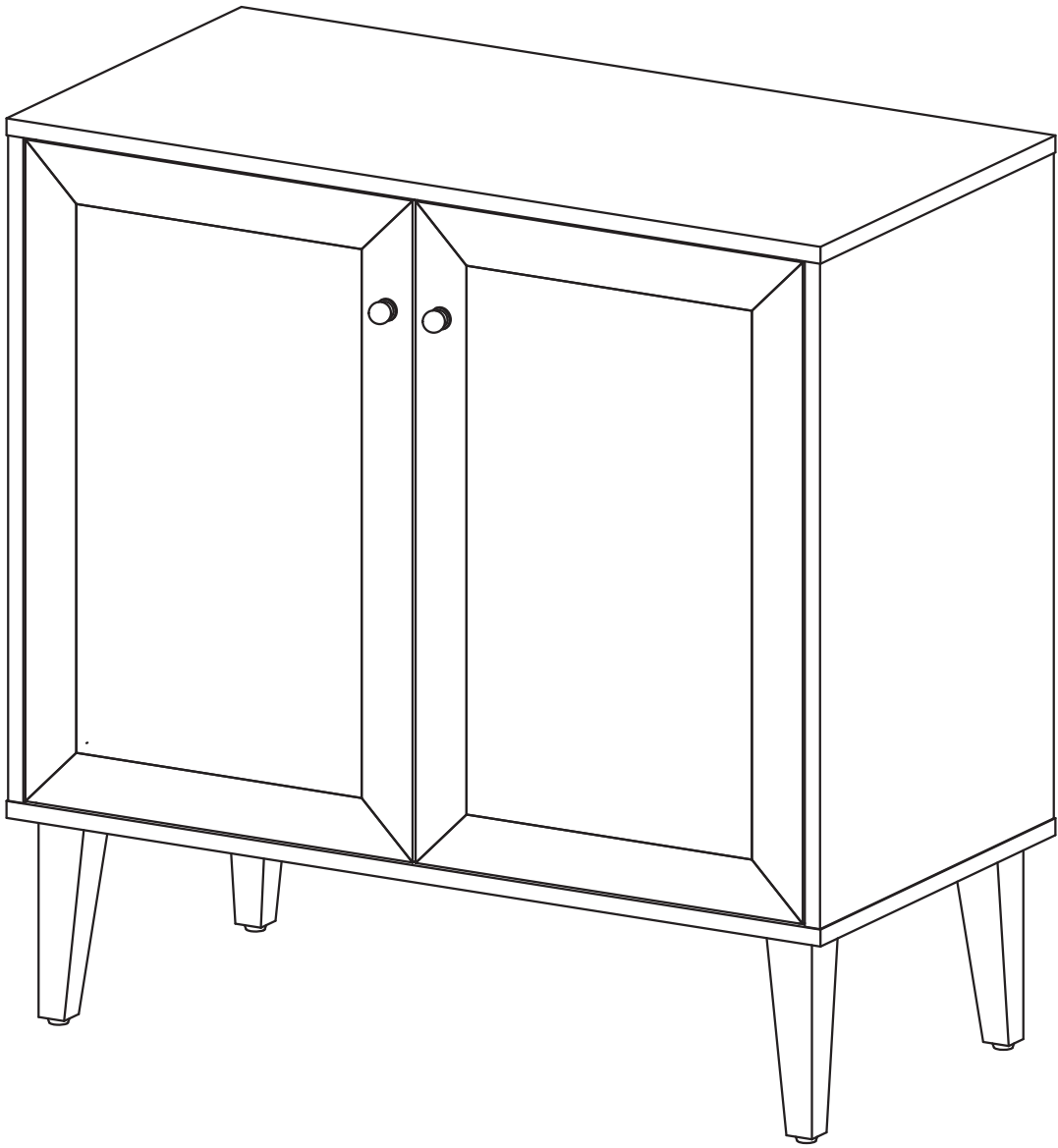


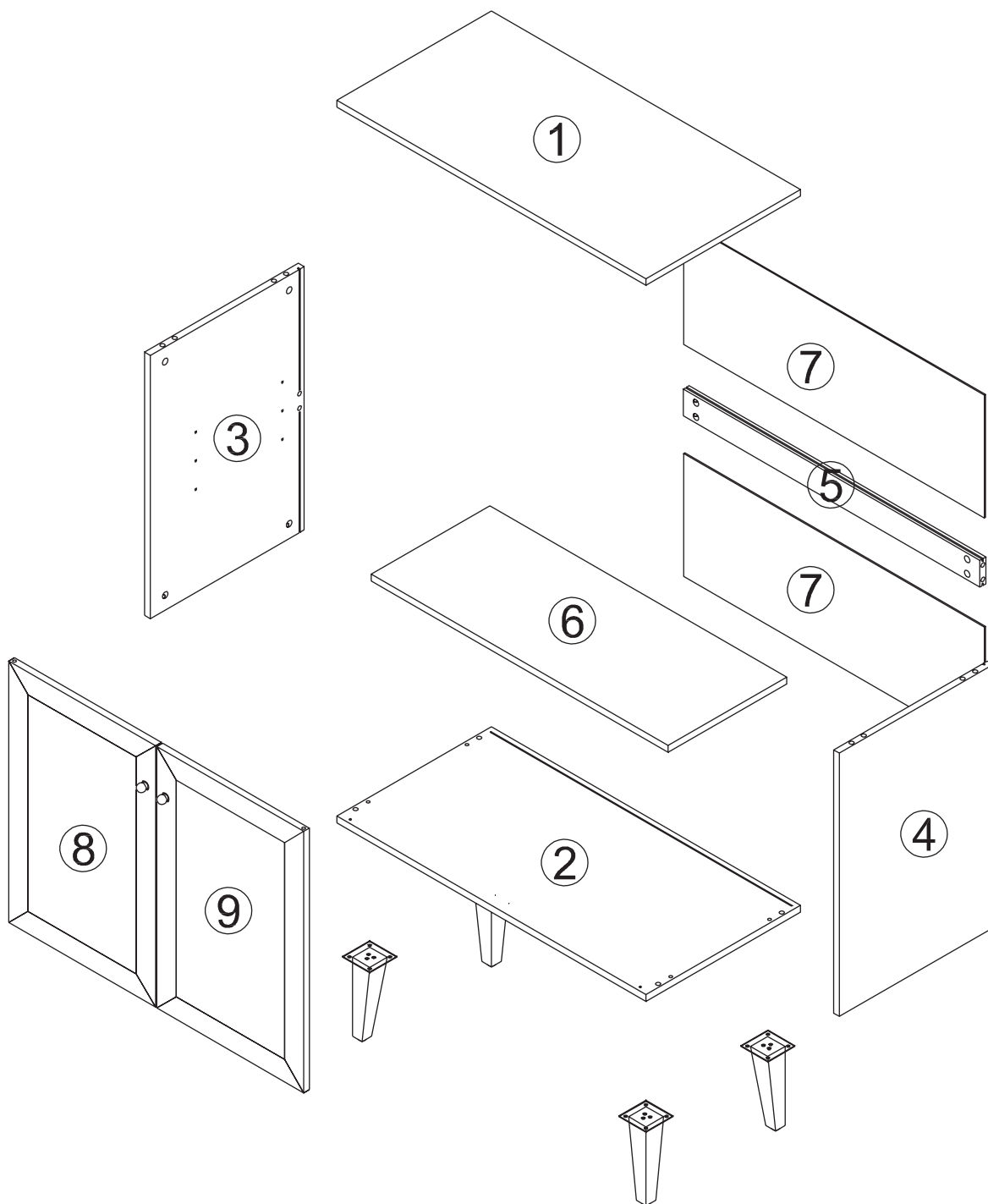
ASSEMBLY INSTRUCTIONS

Item ID: FURCB230050



Revision: 202509

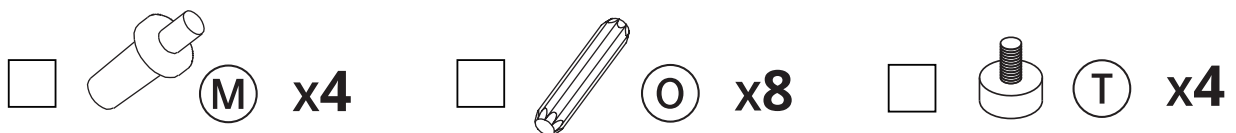
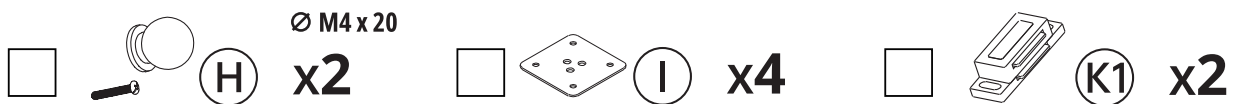
Parts



IMPORTANT

1. Do not tighten bolts/screws completely until all bolts/screws are lined up and inserted into holes.
2. Do not over-tighten screws and bolts to avoid stripping.
3. Please use hand tools to assemble this product. Do not use power tools.

Hardware



Before discarding the packaging, please use the checklist to ensure you have all the parts required to assemble your product. Please kindly note you will need the original package if you want to return the product later.



If parts are missing or damaged, we will gladly ship your replacements parts free of charge.



x2



60 mins



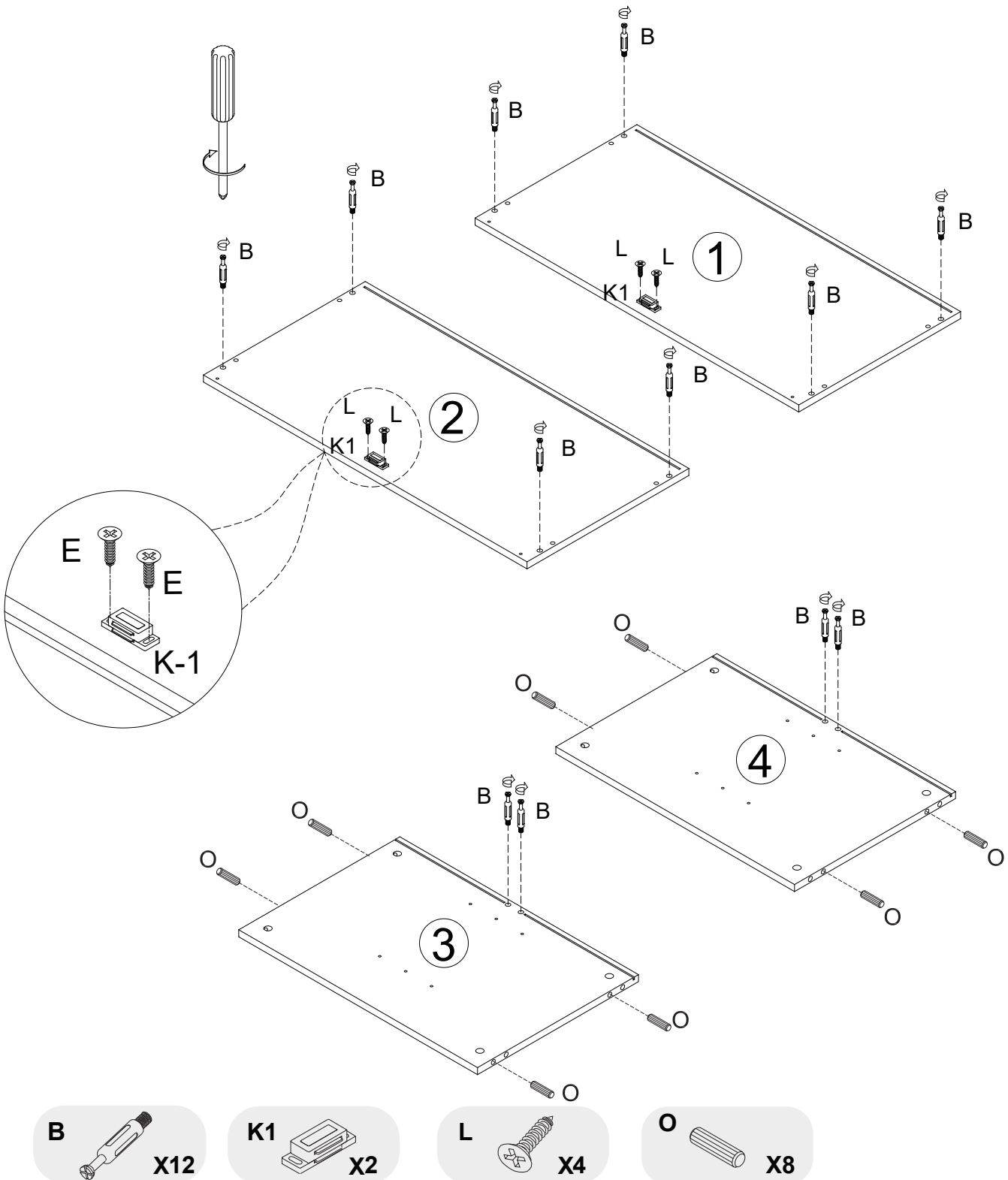
x1

Step 1

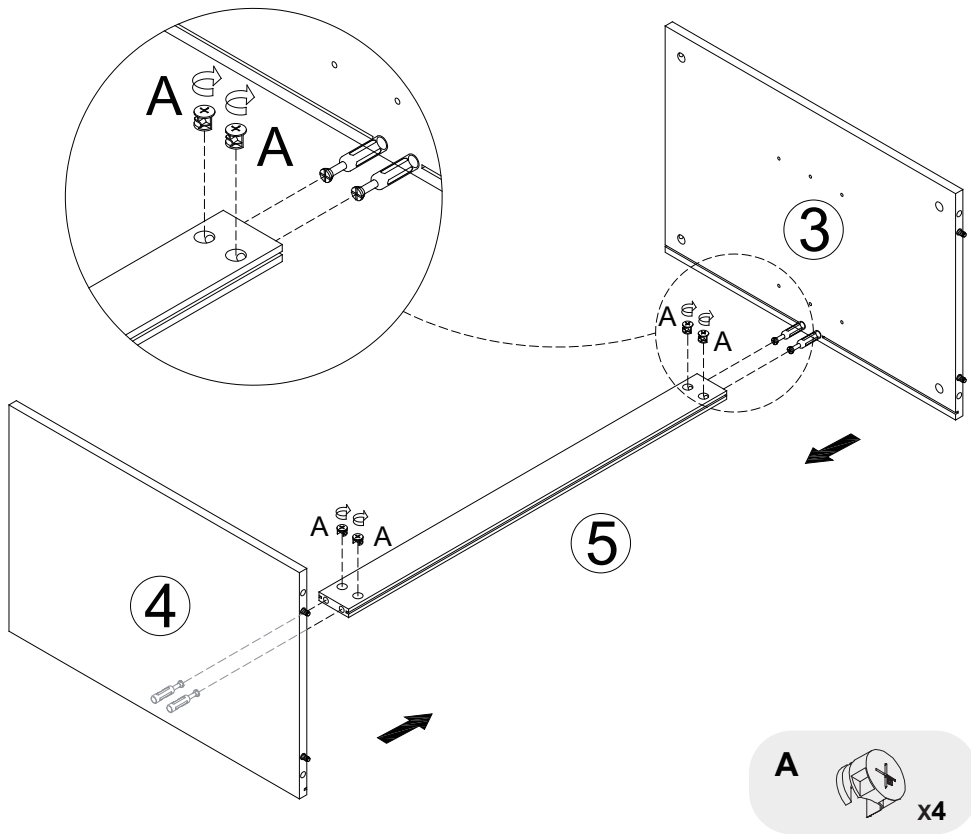
Let's get this thing fired up! Lay down the packaging carton or use the carpet as a working surface.

Take out the Top Panel (1) and Bottom Panel (2).

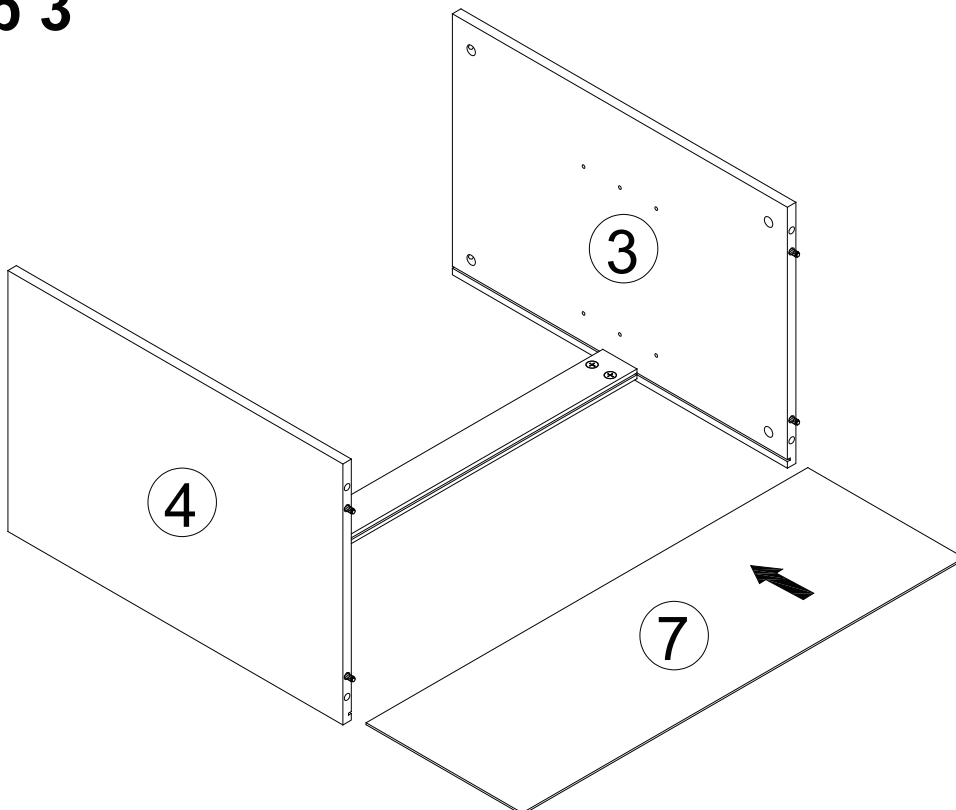
Screw two of Cam Bolts (B) into both the Top Panel (1) and Bottom Panel (2).



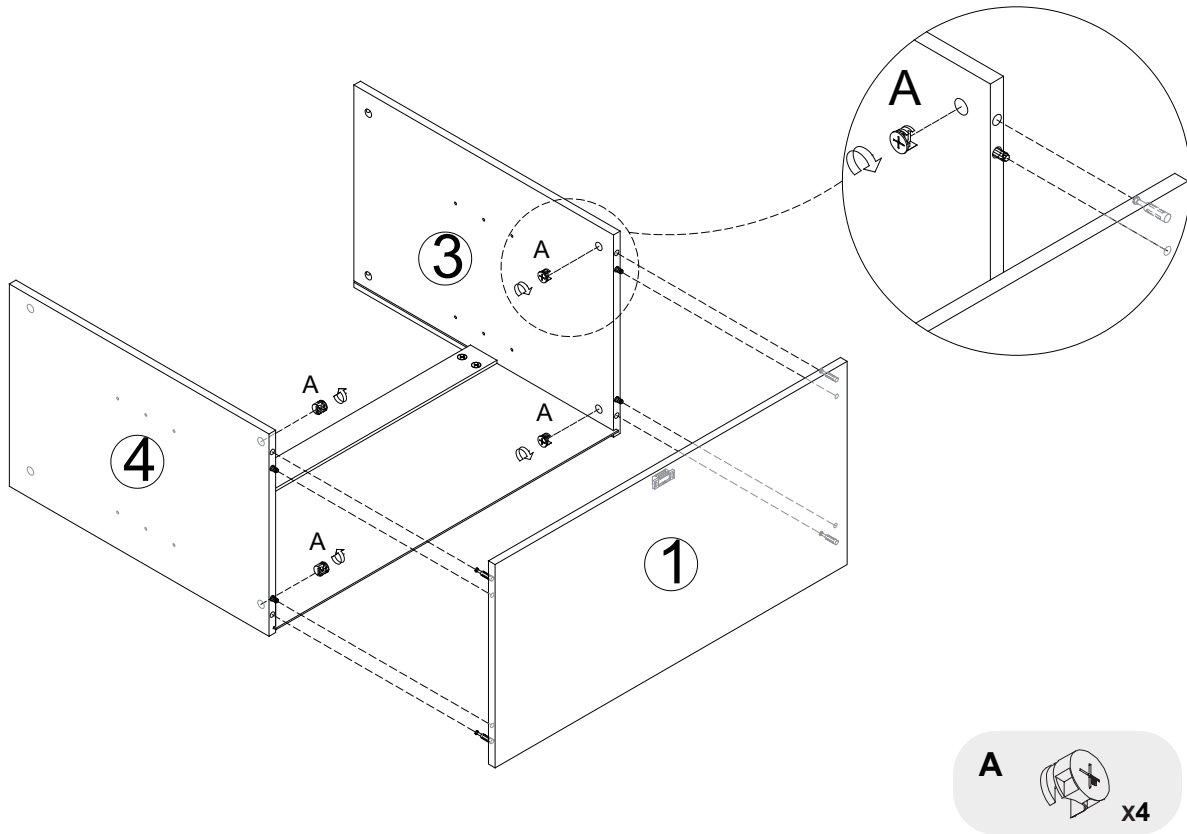
Step 2



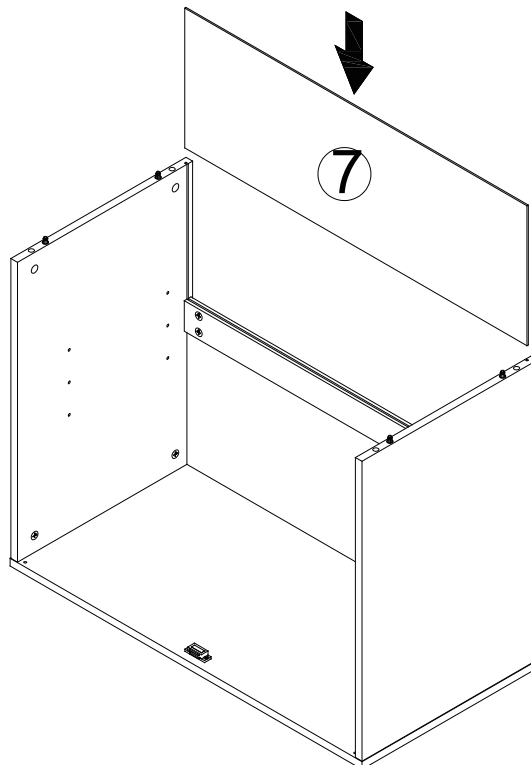
Step 3



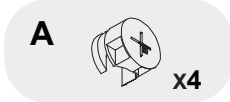
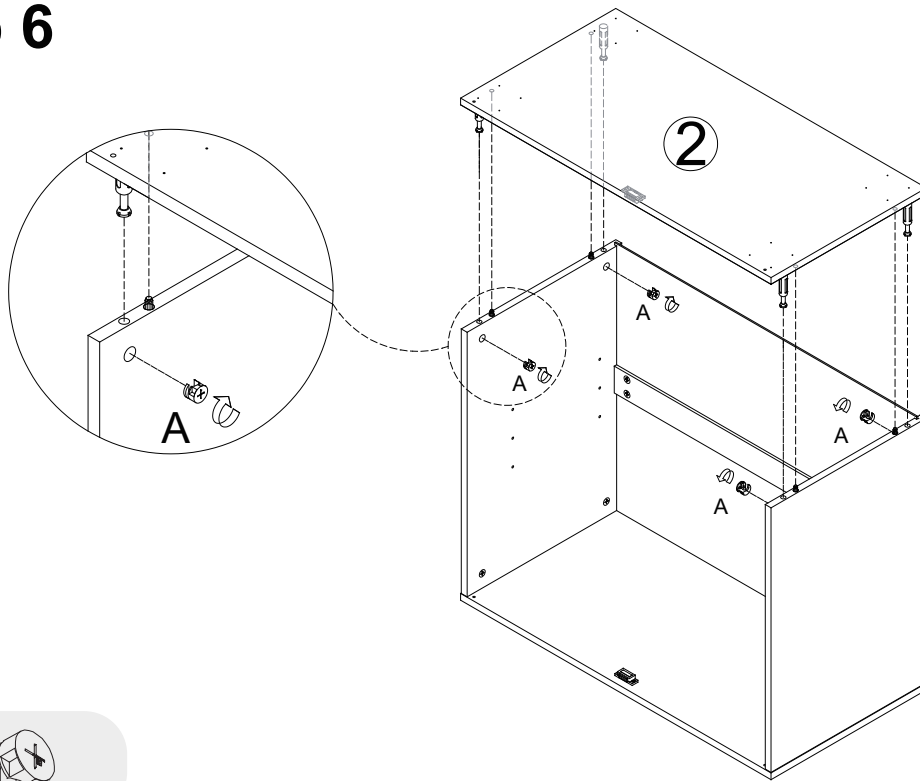
Step 4



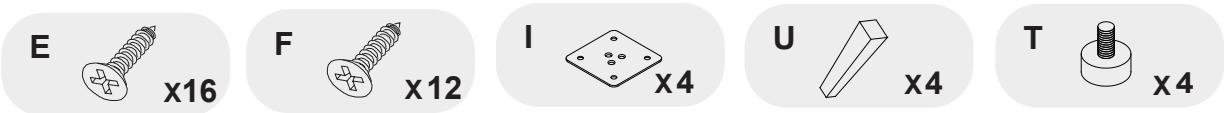
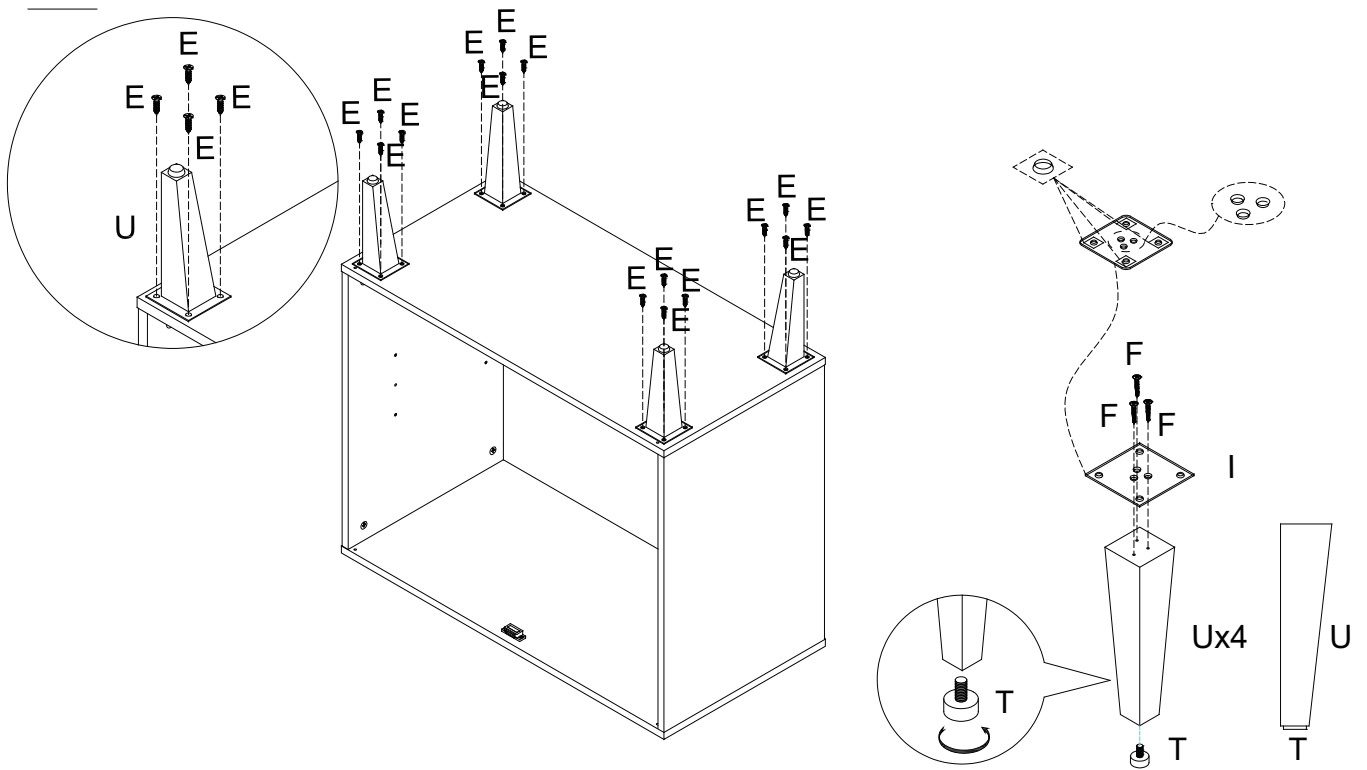
Step 5



Step 6

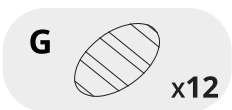
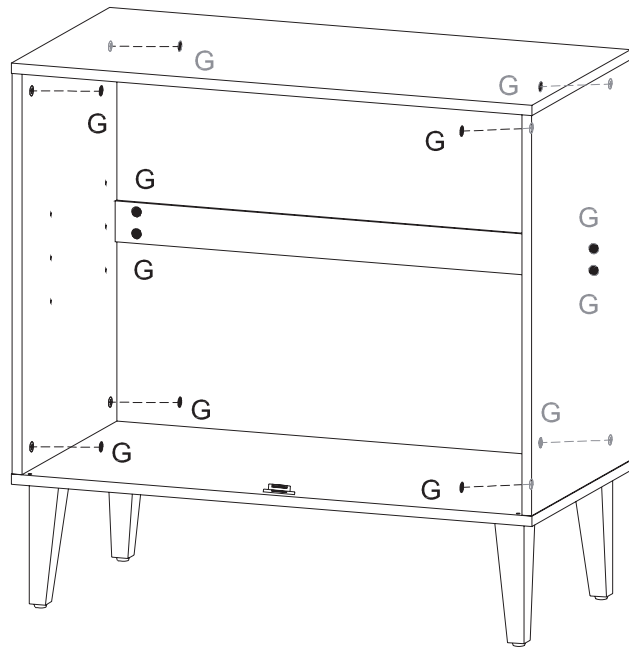
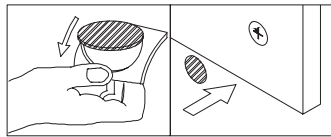


Step 7



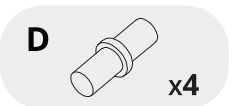
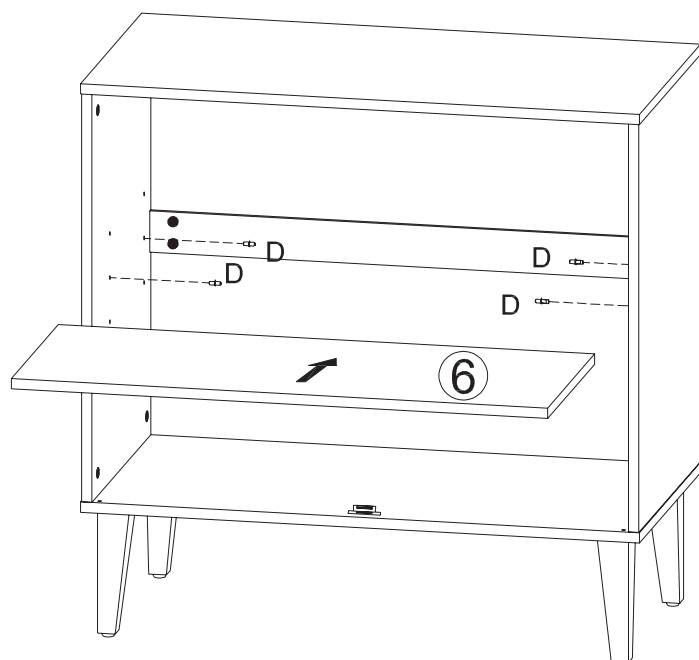
Step 8

Plug-in Screw Stickers (G) to hide the cam locks.



Step 9

Twist on the Shelf Pins (D) at your desired height and slide the Shelf (6) in the unit.

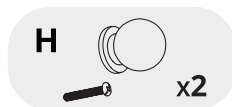
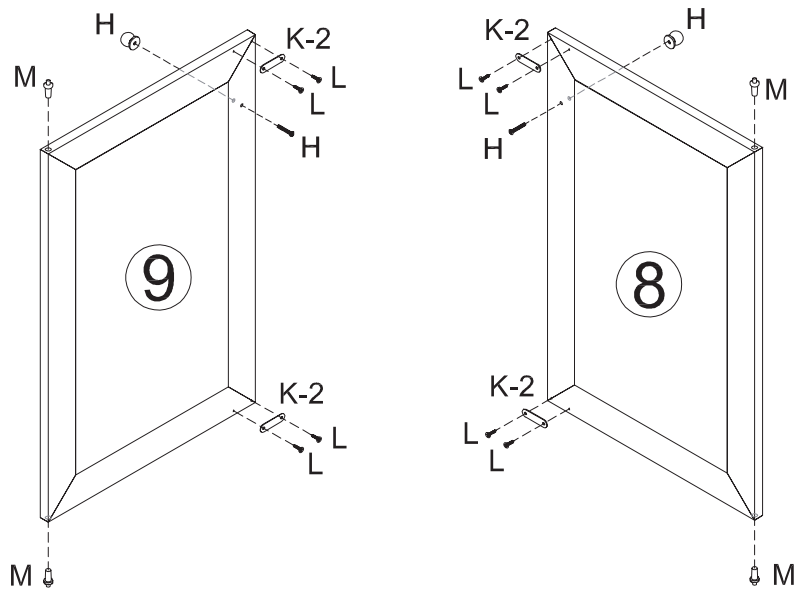


Step 10

First, attach Door Catch Plates (K2) to the top and bottom corners of the Left Door (8) and Right Door (9) using the M3*12mm Screws (L).

Next, attach the Handles (H) to the doors using screws supplied with the handles.

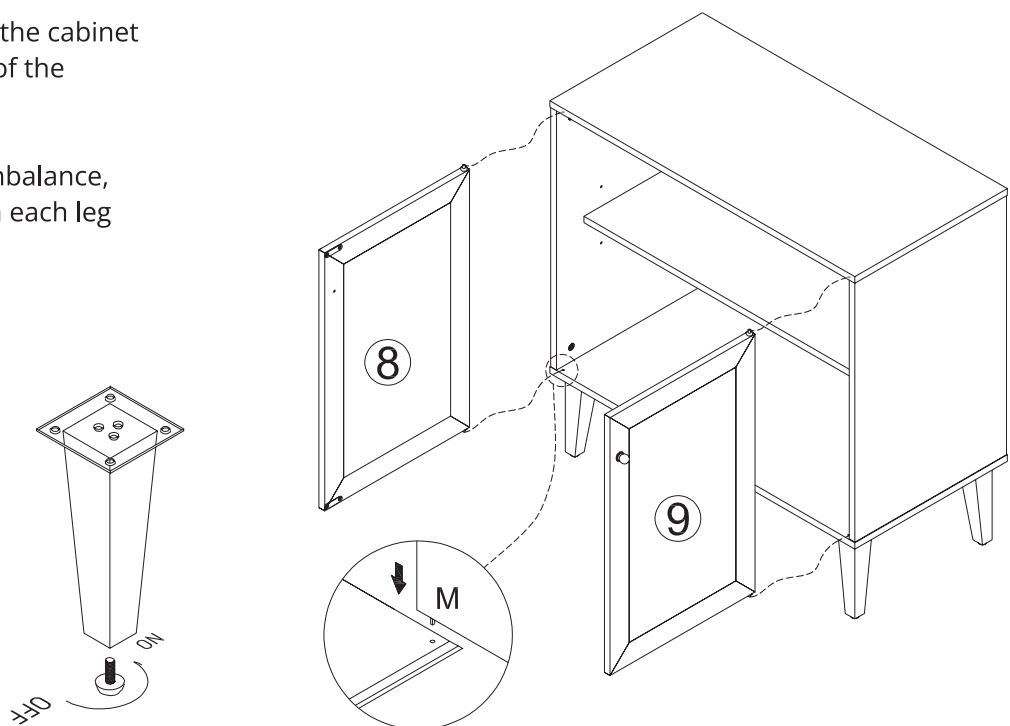
Next, plug in the Spring-loaded Pins (M) in the holes of the Left Door (8) and Right Door (9).



Step 11

Install 2 Doors onto the cabinet by popping the top of the Spring-loaded Pins.

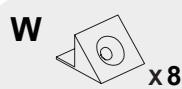
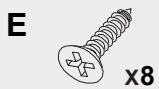
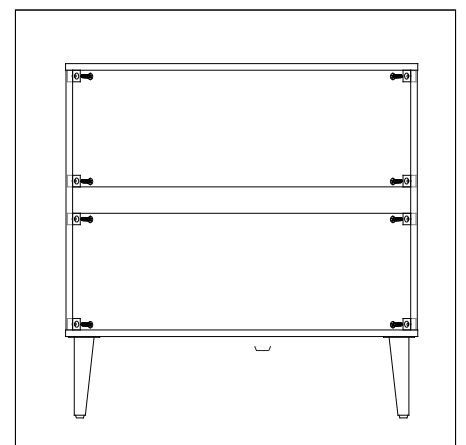
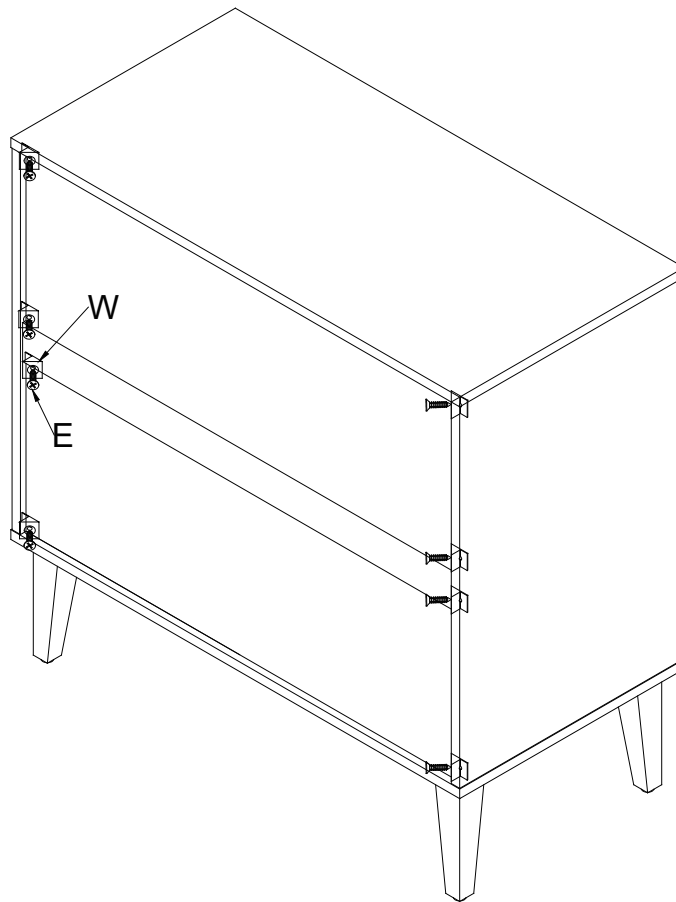
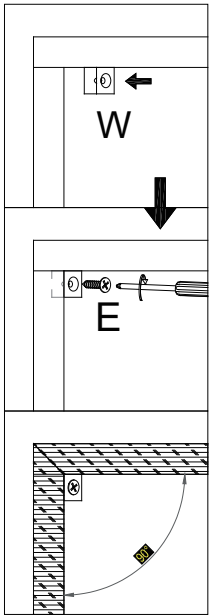
In the event of an imbalance, adjust the leveler on each leg accordingly.



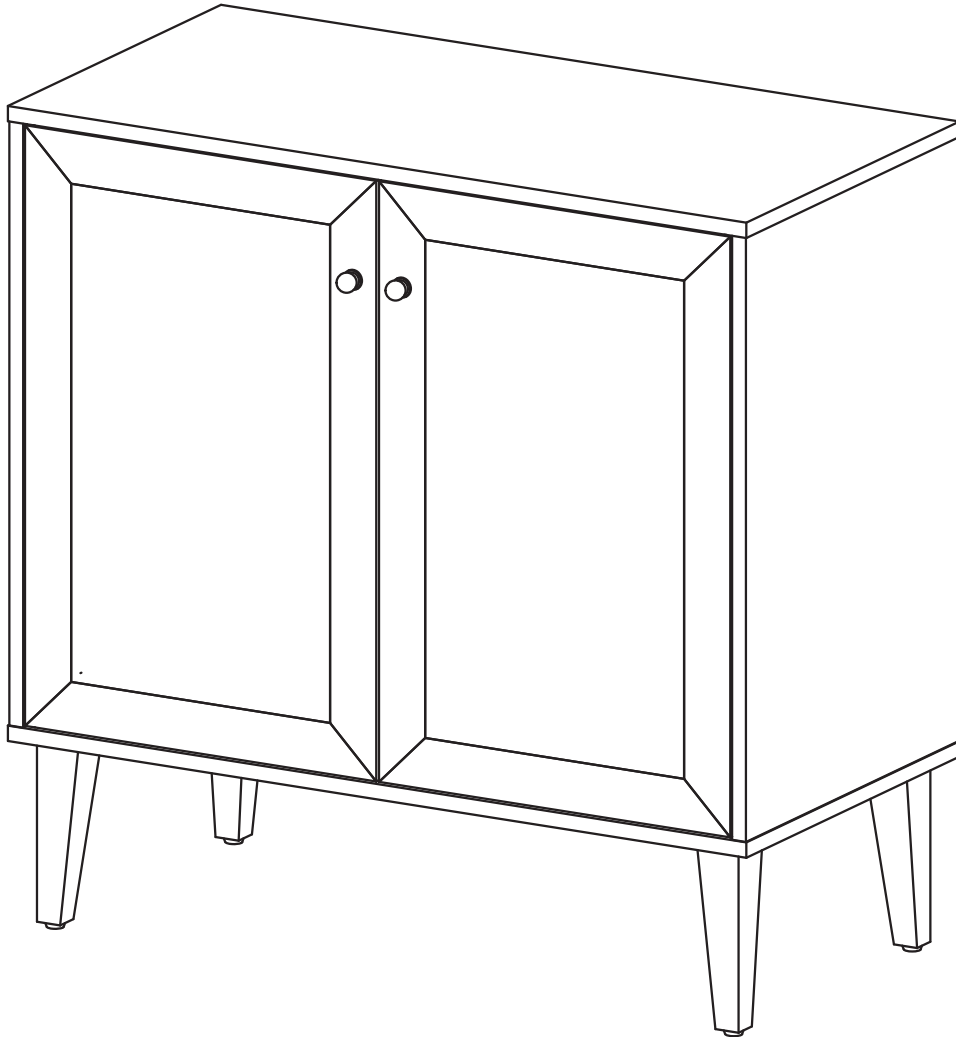
Step 12

Gently adjust the panels sideways in either direction until the diagonal measurements of the frame are equal.

Holding the assembly in place, fix Wedge (W) with Screw (E).



FINISHED!



IMPORTANT

Move your desk carefully, with 2 people lifting it to the preferred location. Clean the product with a dry cloth. You are all set!

We want your storage unit to last as long as possible, so we recommend that you tighten the screws 2 weeks after assembly and, for added safety, check the tightness of all screws every 2 months.

CARE

INSTRUCTIONS

If treated with respect and love, your furniture will last you a long time. Each piece requires light maintenance to maximize its longevity.

Here are a few quick tips before using this product:

- The recommended weight limit for the cabinet top is 75 lbs and 26 lbs for each storage compartment.
- Avoid uneven weight distribution for a long time as it may cause damage to the product's shape.
- The swing door may not swing smoothly when the cabinet is overloaded by weight
- Check and tighten the camlock and screw periodically, as it may lose over time.

How to take care of it?

- Avoid direct sunlight or use curtains or blinds to limit sun exposure to the product.
- Clean the product regularly with a dry, soft cloth.
- Avoid using the abrasive or liquid cleanser.
- Spillage may damage the surface. Clean immediately with a dry cloth.
- We recommend using placemats or coasters underneath glasses, cups, bowls, or plates to prevent scratches to the table surface.

Follow the care instructions and look after your furniture, in return, your furniture will look after you.