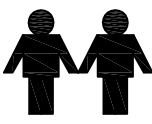
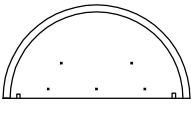
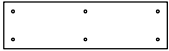
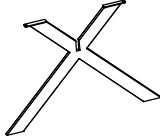
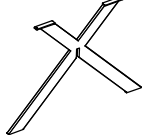



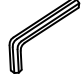






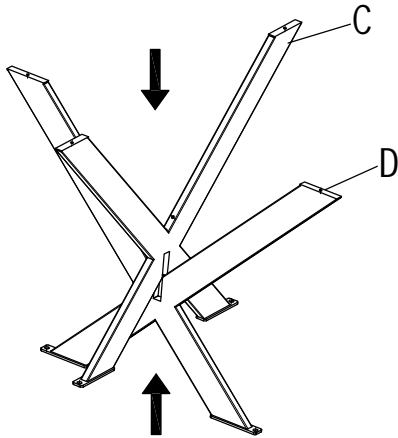


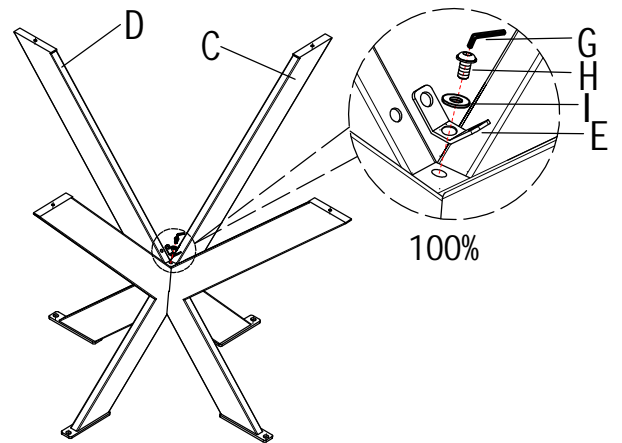
ASSEMBLY INSTRUCTION

	 A × 2pcs	 B × 1pc +Spare × 1	 C × 1pc	 D × 1pc +Spare × 1
	 E × 1pc	 F × 7pcs M8*20mm	 G × 1pc 6#	 H × 2pcs M8*12mm
	 I × 2pcs φ16/φ8*2	 J × 7pcs M8*30mm	 K × 1pc 5#	 L × 1pc

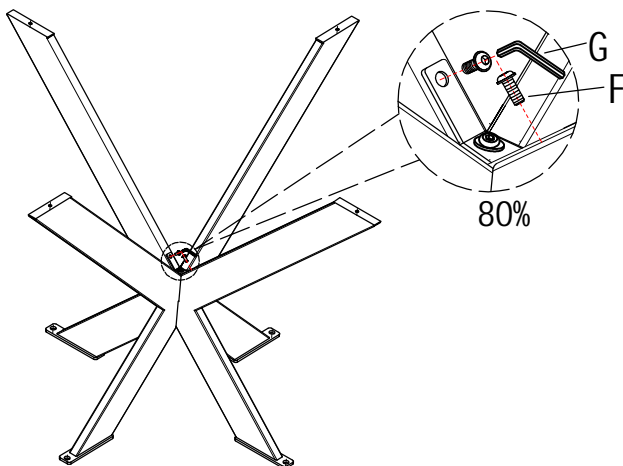
STEP: 1



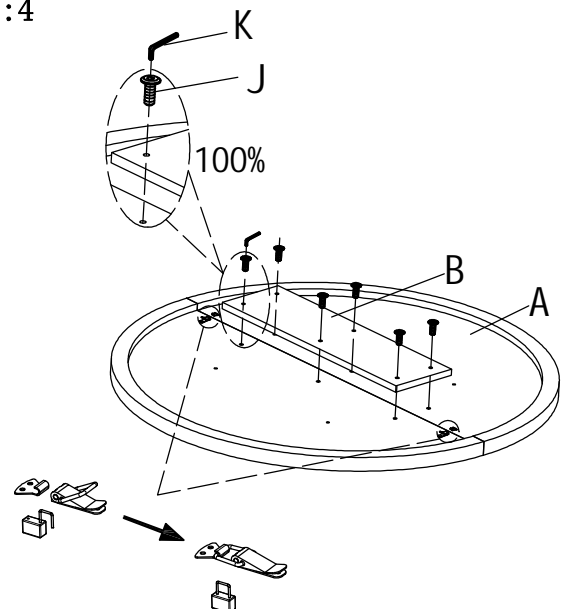
STEP: 2



STEP: 3

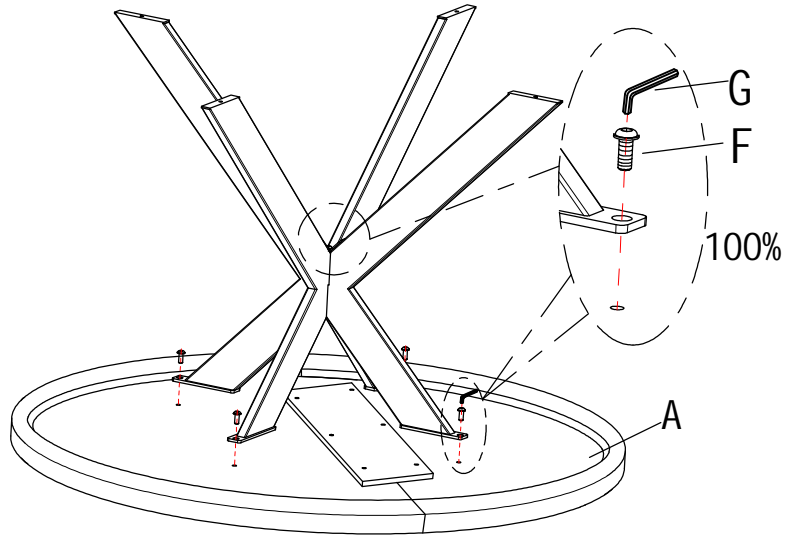


STEP: 4



ASSEMBLY INSTRUCTION

STEP:5



STEP:6

