











Assembly Instructions

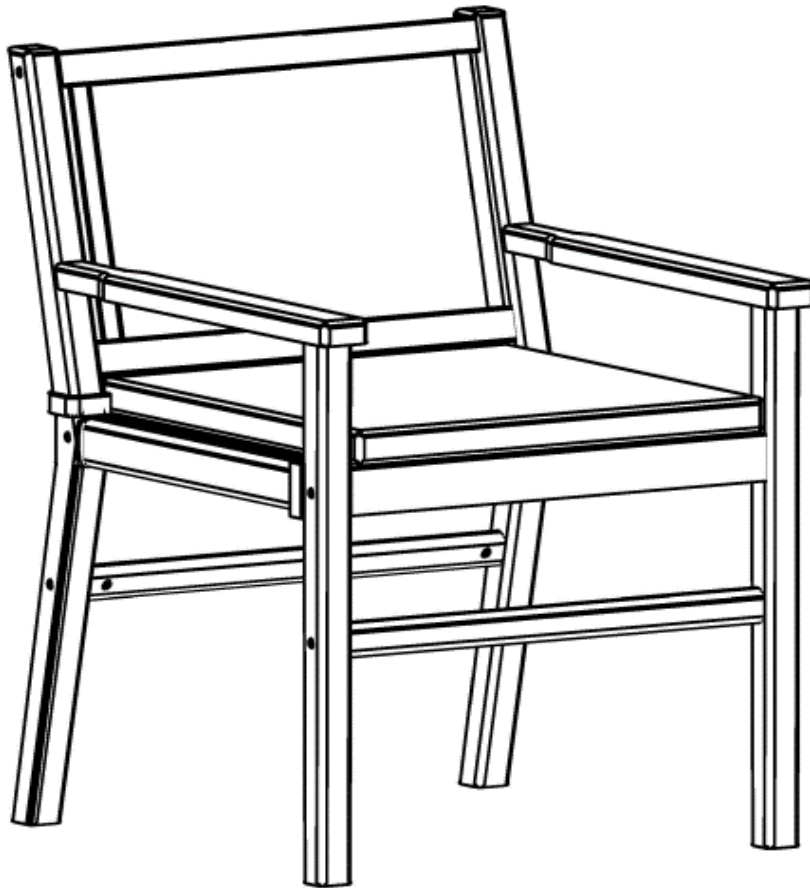
Caution: You must read this before you proceed

Care & Maintenance

-  • Not for commercial use. For residential use only.
-  • Do not put hot items directly on furniture surface.
-  • Do not clean furniture with harsh cleansers or polish.
-  • To obtain the longest lifespan of your outdoor product minimizing exposure to direct sunlight is recommended.
-  • Children should not climb or jump on the furniture.
-  • Do not write on furniture without a padded barrier to protect the surface.
-  • To obtain the longest lifespan of your outdoor products, avoid extended and lengthy exposure to rain, snow, and direct sunshine. Whenever possible cover the product and /or place under patio or awnings.
-  • Stains may be removed with mild soap solution and damp cloth.
-  • Keep away from sources of ignition.
-  • Dust and pick-up spills using a clean, non-colored, lint-free cloth.

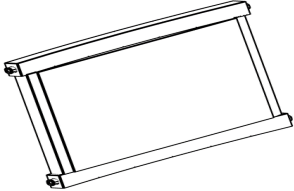
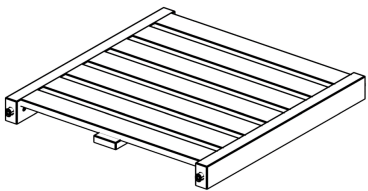
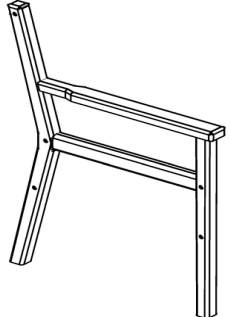
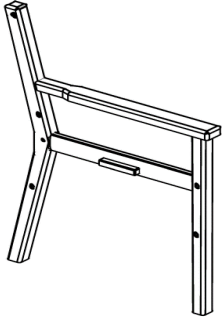
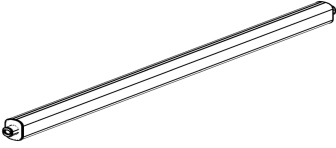
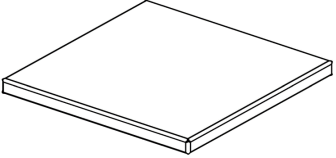
Please look in the Leg Panel for Hardware packs and Legs

DINING CHAIR

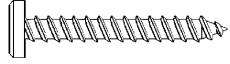






Caution: This Dining Chair is NOT a TOY.
Keep your child / children at bay during the assembly process.
Whenever lifting or moving the Dining Chair and to prevent damage to the Chair, two adults may be needed to execute these actions.

Parts List:

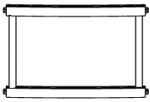
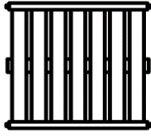



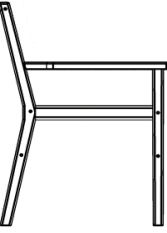
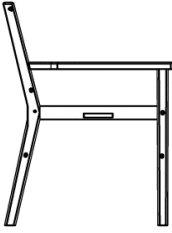
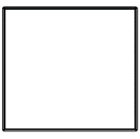



Label	Picture	Description	QTY
A	 A perspective drawing of a rectangular backrest panel with a slightly curved top edge and a small notch on the right side.	Backrest Panel	1
B	 A perspective drawing of a rectangular seat panel with a grid of slats and a small notch on the right side.	Seat Panel	1
C	 A perspective drawing of a left leg panel, showing a vertical leg, a horizontal seat rail, and a diagonal backrest support.	Left Leg Panel	1
D	 A perspective drawing of a right leg panel, showing a vertical leg, a horizontal seat rail, and a diagonal backrest support.	Right Leg Panel	1
E	 A perspective drawing of a long, thin rectangular support bar.	Support Bar	2
F	 A perspective drawing of a square seat cushion with a slightly raised edge.	Seat Cushion	1






Hardware:

Label	Picture	Description	QTY
①		Screw (M6*45mm)	3
②		Bolt (M6*70mm)	9
③		Nut (6*13mm)	9
④		Bolt (M6*50mm)	1
⑤		Allen Wrench	2

Assembly Preparation :

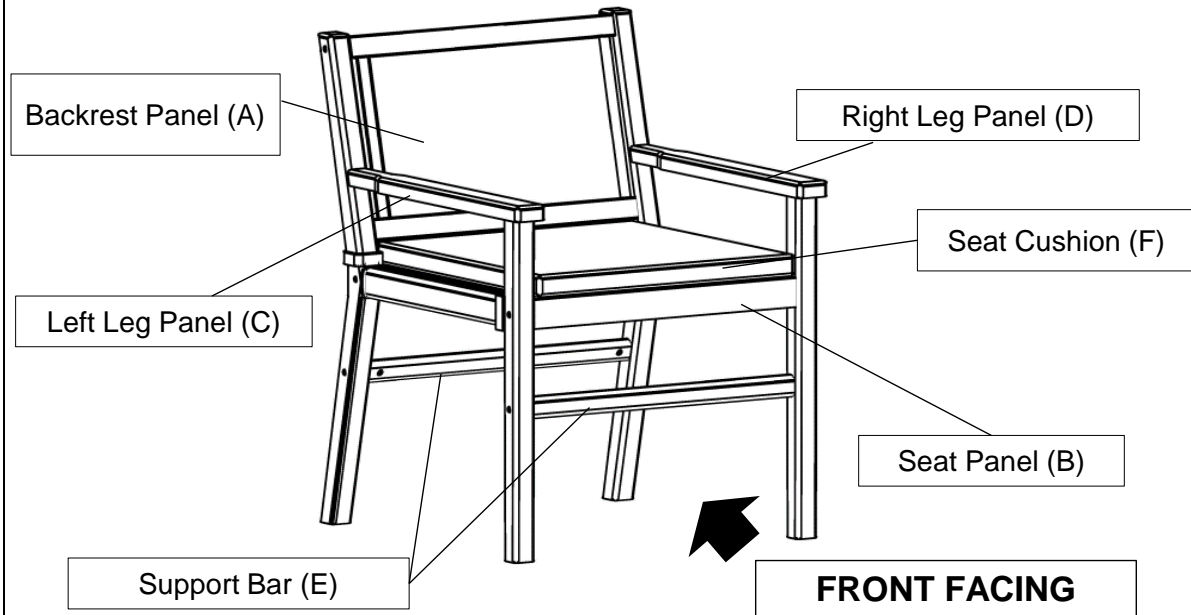
Before Beginning Assembly:

			①  x3
A	B	Ex2	②  x9
			③  x9
C	D	F	④  x1
			⑤  x2

-  • Read instructions, cover to cover-
-  • Have 2 adults on hand for assembly-
-  • Do not assemble on flooring or carpet-
-  • Assemble on a clean non-marring surface (packing foam)-
-  • Save all packaging until finished-

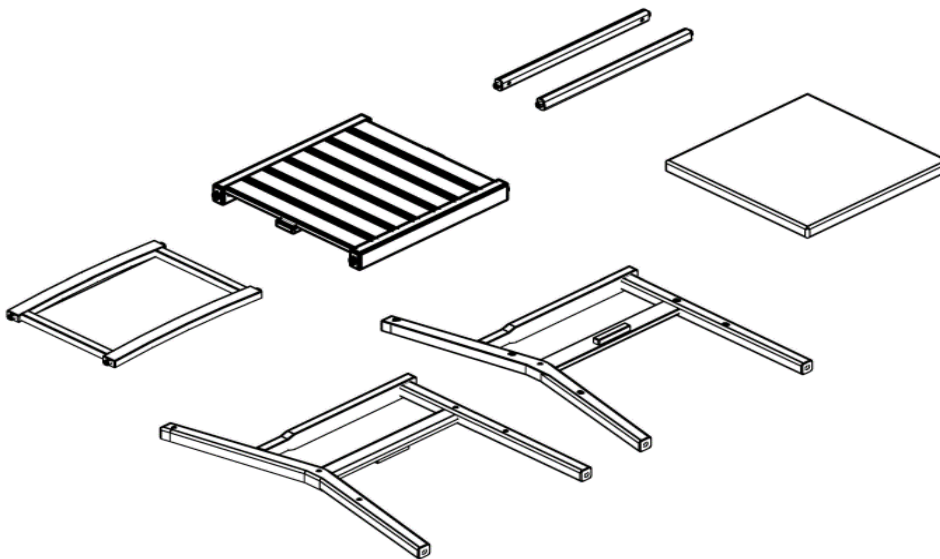
Assembly Steps:

Overview:



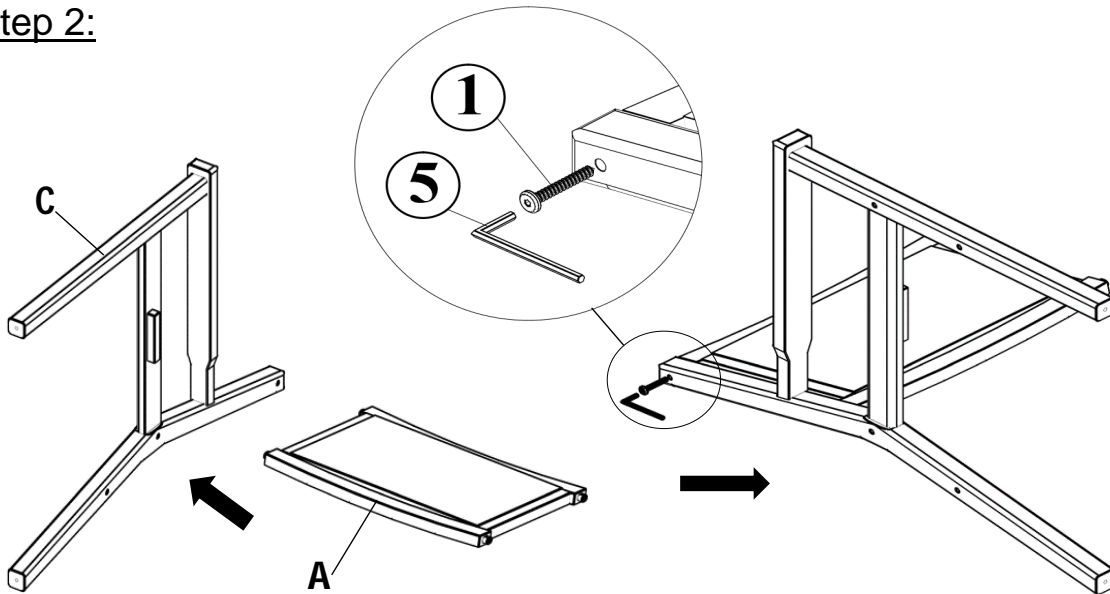
This Chair has multiple parts and may require up to 30 minutes to assemble. To give you an overview of the Chair parts, the above picture is to help you put the various parts into perspective. Please read through the instructions below to familiarise yourself with the parts and steps before assembly.

Step 1:



Unpack and place all parts on a clean, non-marring surface.

Step 2:

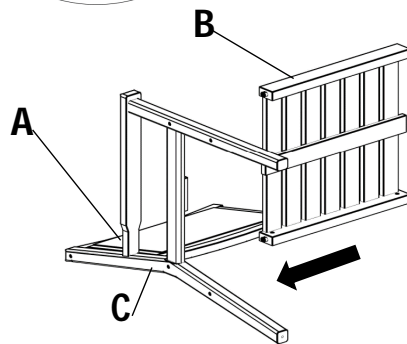
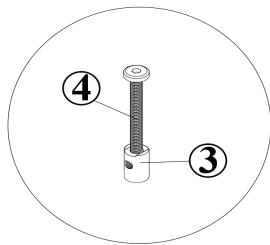


Place the Left Leg Panel (C) on a clean, non-marring surface. Then attach the Backrest Panel (A) to the Left Leg Panel (C) using Screw (1) and Allen Wrench (5) as shown above.

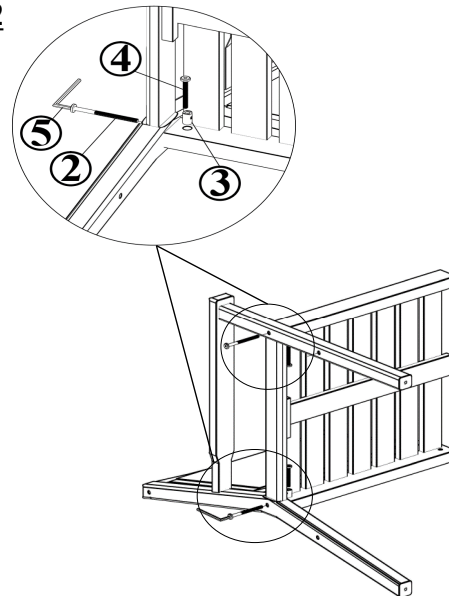
Do not fully tighten the Screws.

Step 3:

Step 3.1



Step 3.2



Step 3.1, Insert the Bolt (4) to Nut (3) as shown above.

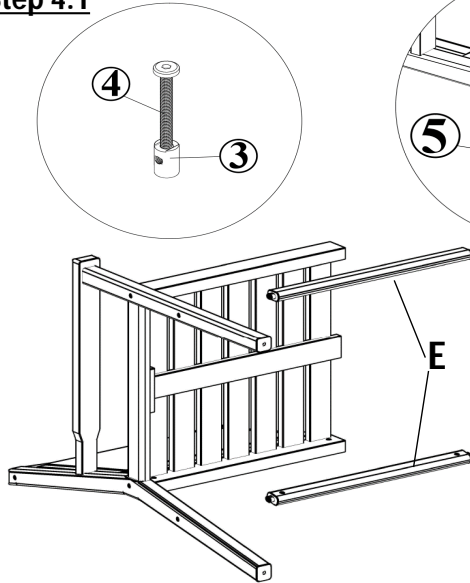
Step 3.2, With the help of your adult partner, attach the Seat Panel (B) to the Left Leg Panel (C) of the assembled part in Step 2 using Bolt (4), Nut (3), Bolt (2) and Allen Wrench (5) as shown in the picture above.

Note: Affix the Bolt (4) into the Nut (3) inside the Seat Panel (B) then remove Bolt (4) from the Nut (3).

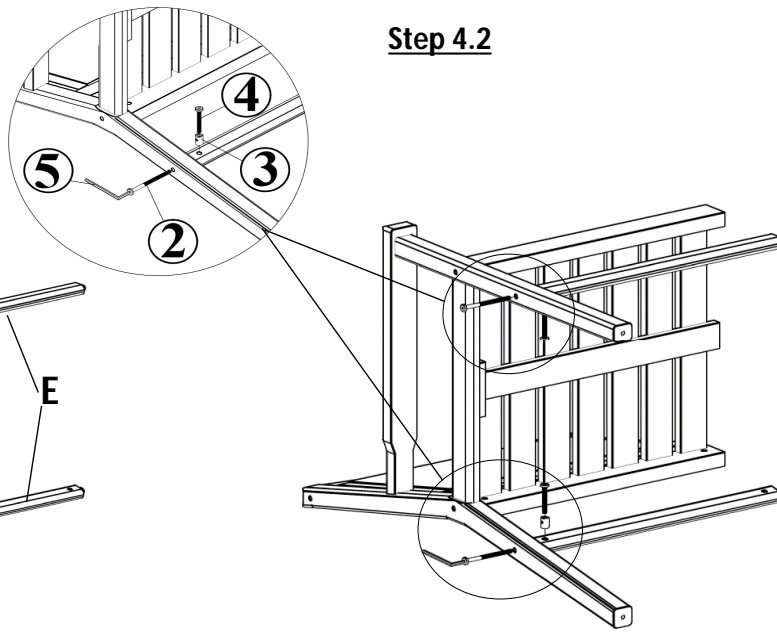
Do not fully tighten the Bolts.

Step 4:

Step 4.1



Step 4.2



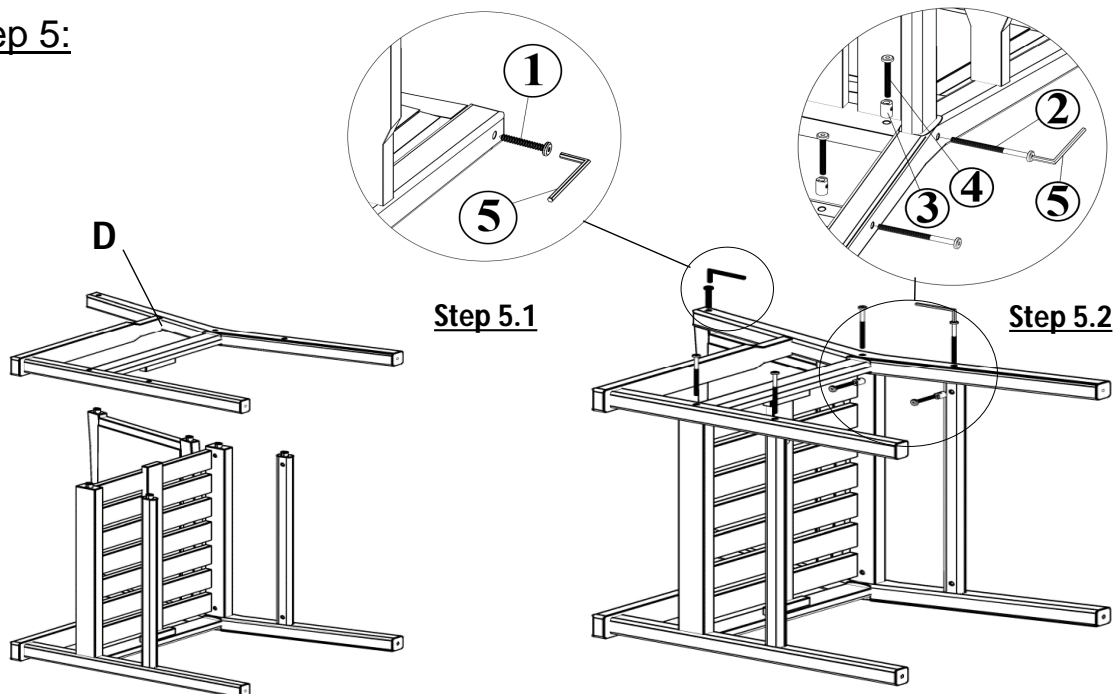
Step 4.1, Insert the Bolt (4) to Nut (3) as shown above.

Step 4.2, Attach the Support Bar (E) to the assembled part in Step 3 using Bolt (4), Nut (3), Bolt (2) and Allen Wrench (5) as shown in the picture above.

Note: Affix the Bolt (4) into the Nut (3) inside the Support Bar (E) then remove Bolt (4) from the Nut (3).

Do not fully tighten the Bolts.

Step 5:

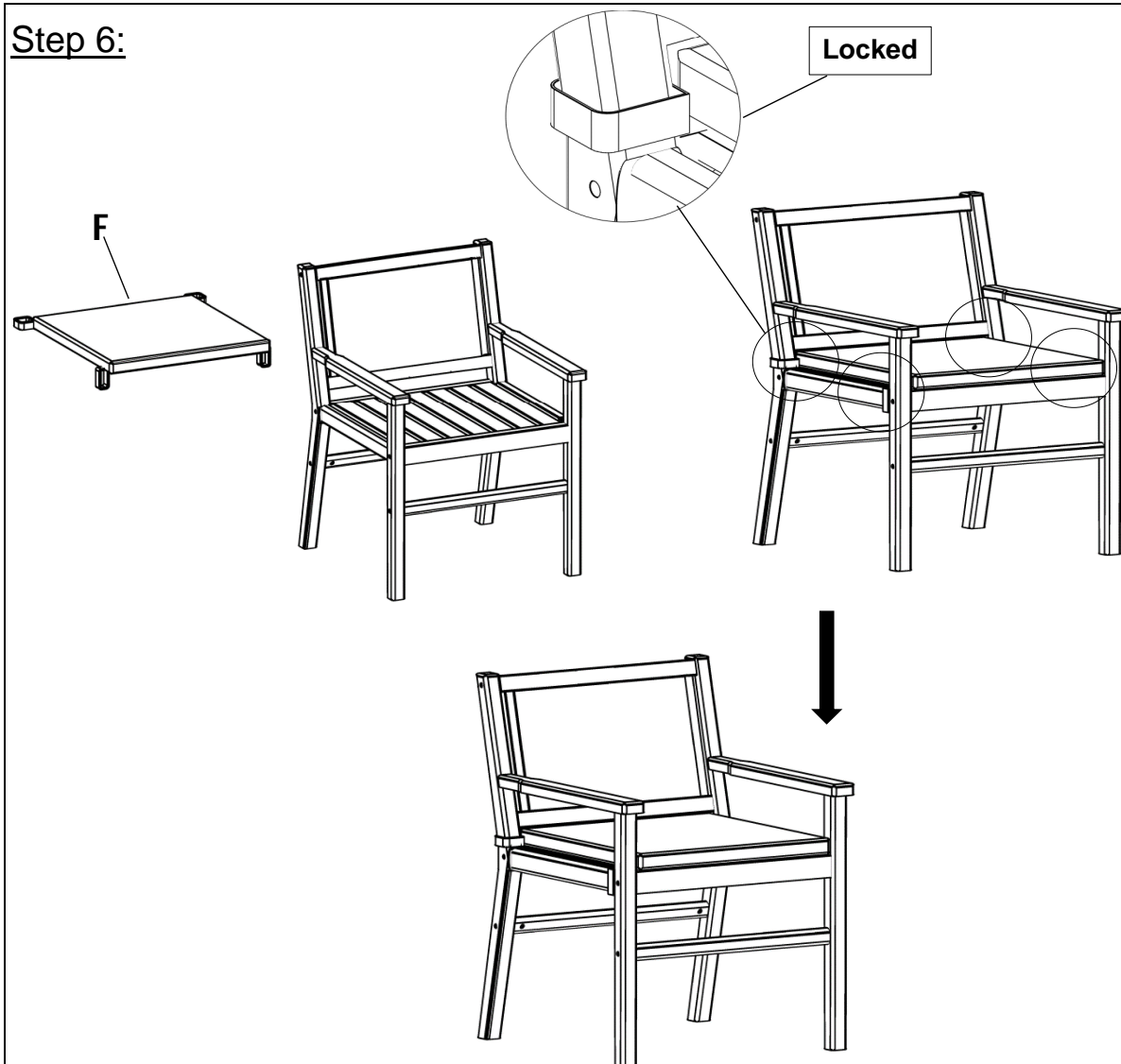


Step 5.1, With the help of your adult partner, attach the Right Leg Panel (D) to the Backrest Panel (A) of the assembled part in Step 4 using Screw (1) and Allen Wrench (5) as shown above.

Step 5.2, Repeat same process as Step 3 and Step 4 for the Right Leg Panel (D).

Do not fully tighten the Screws and Bolts.

Step 6:



Stand the Chair up.

Exert pressure floorwards, onto the Dining Chair with both your hands.

This pressure will help the chair reach full alignment status.

Check for wobbles on a LEVEL surface.

If no wobbles are found proceed to tighten the Bolts and Screws in a sequential manner, until evenly secured.

When tightening the Bolts and Screws tighten sequentially.

Do not tighten any Bolt or Screw fully and then move on towards the next one.

If there are still wobbles, loosen the Bolts and Screws and execute the same above process.

Insert the Seat Cushion (F) into the Chair using Magic Tape as shown above.

Your Dining Chair is ready for use.

This Dining Chair can only be used on a flat, level surface.