
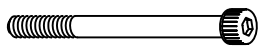




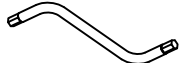
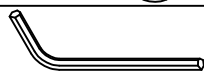


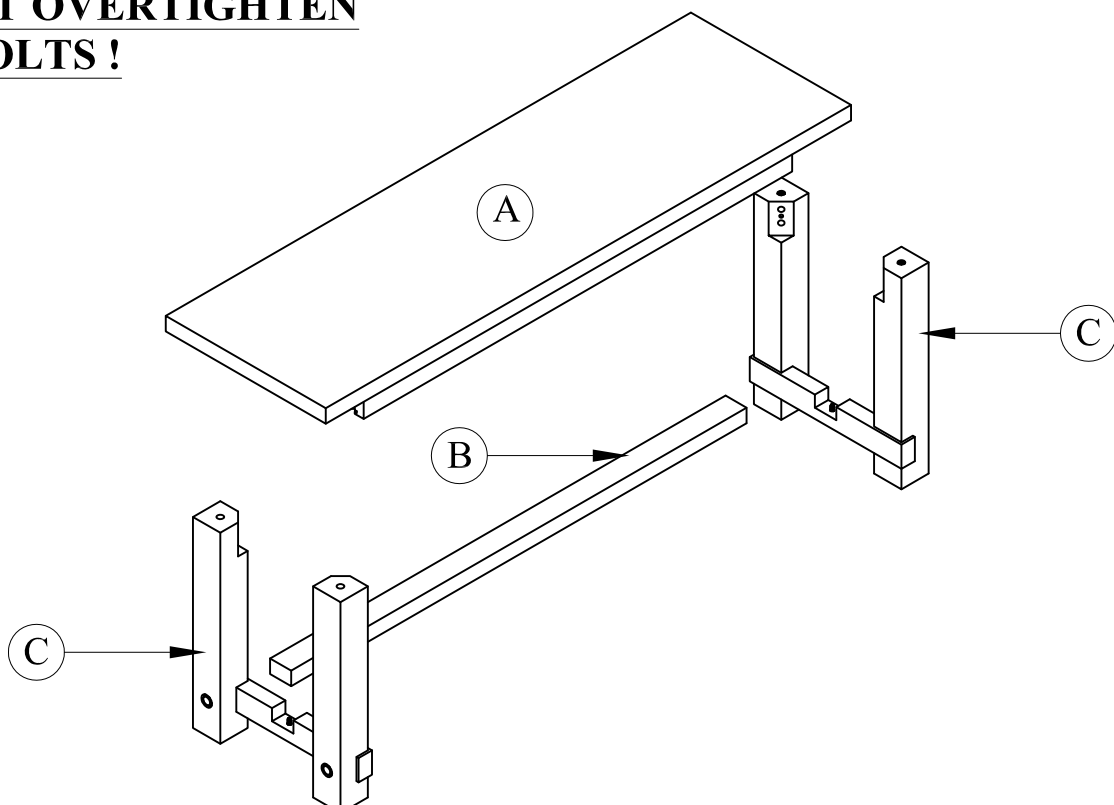
## ASSEMBLY INSTRUCTIONS

Thank you for purchasing this quality product. Be sure to check all packing material carefully for small parts, which may have come loose inside the carton during shipment. Identify and count all parts and compare with the Hardware List below.

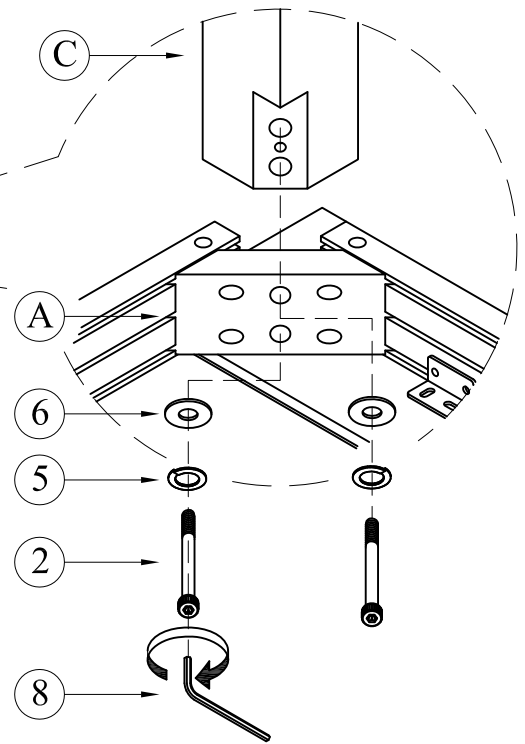
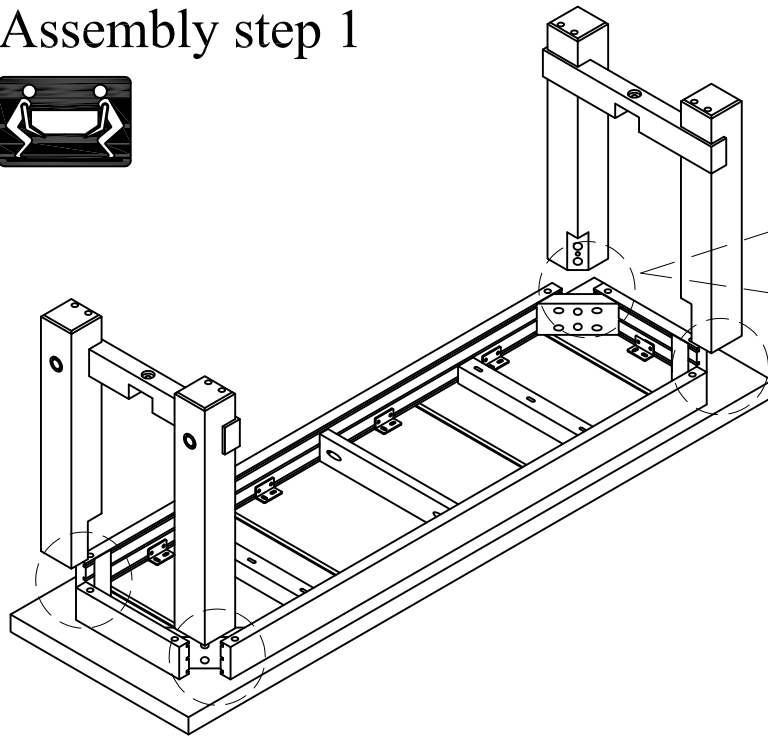
	No.	Description	Qty
	A	Bench seat	1
	B	Stretcher	1
	C	Bench legs	2

	No.	Picture	Description	Dimension	Qty
<b>HARDWARE</b>	1		bolt	M6 x 40 mm	2
	2		Machine bolt	M8 x 80 mm	8
	3		Thin lock washer	Ø13xØ6x1 mm	2
	4		Thin flat washer	Ø16xØ6,5x1 mm	2
	5		Thick lock washer	Ø13xØ8x2 mm	8
	6		Thick flat washer	Ø18xØ8x2 mm	8
	7		Z - Allen key	L4	1
	8		Allen key	L6	1

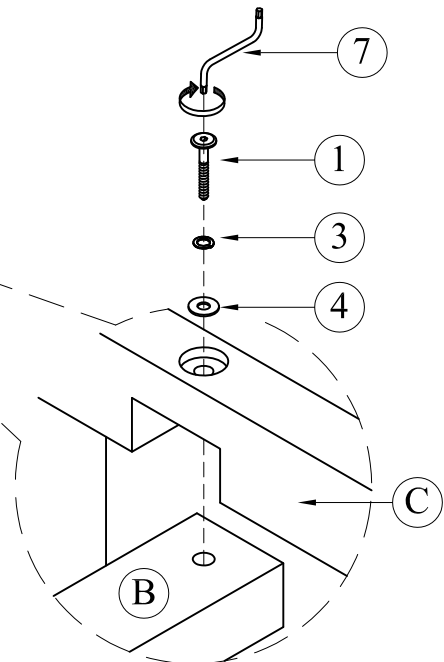
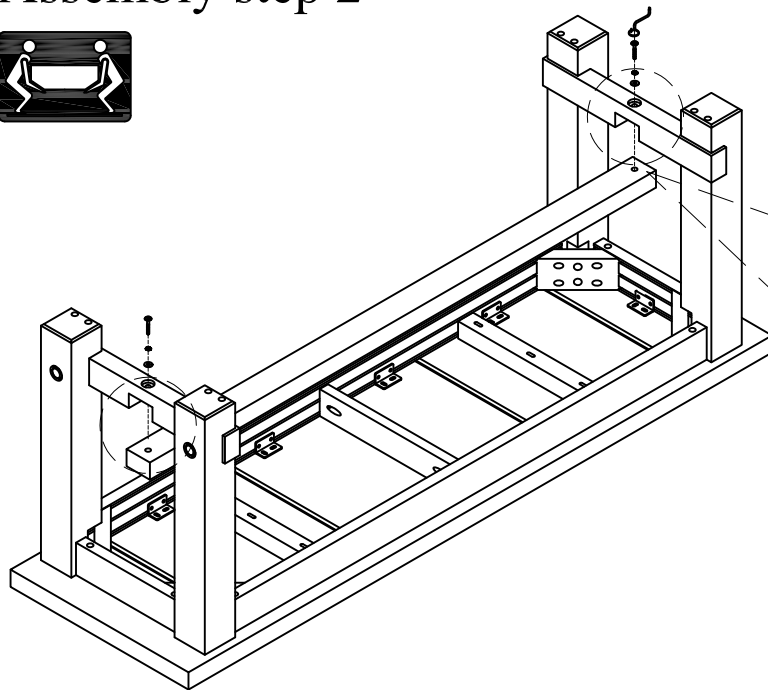
**DO NOT OVERTIGHTEN  
THE BOLTS !**



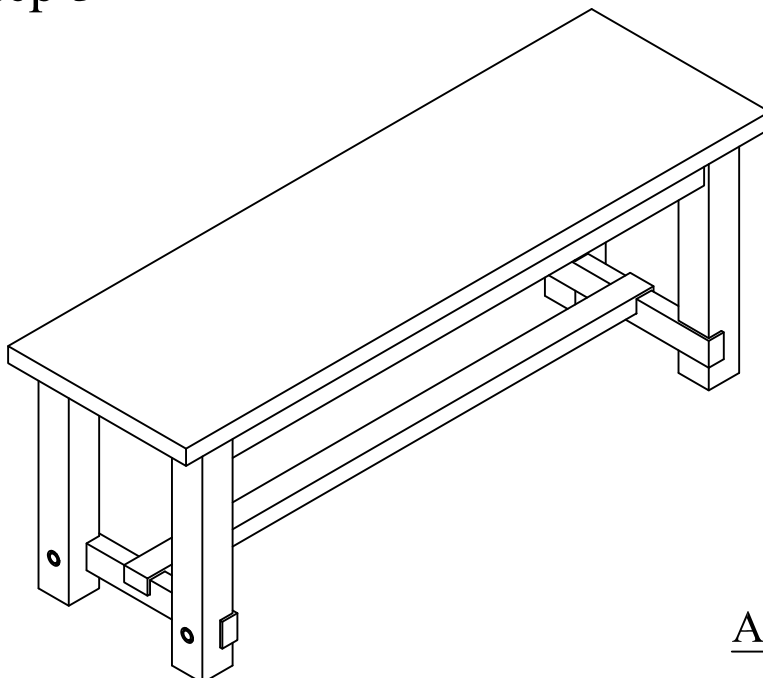
## Assembly step 1



## Assembly step 2



## Assembly step 3



Assembly Completed