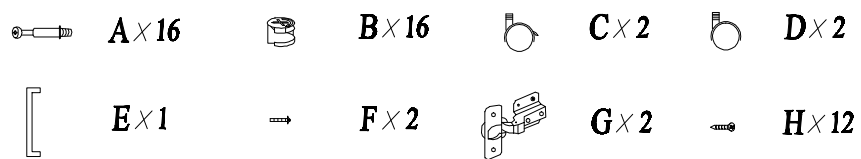
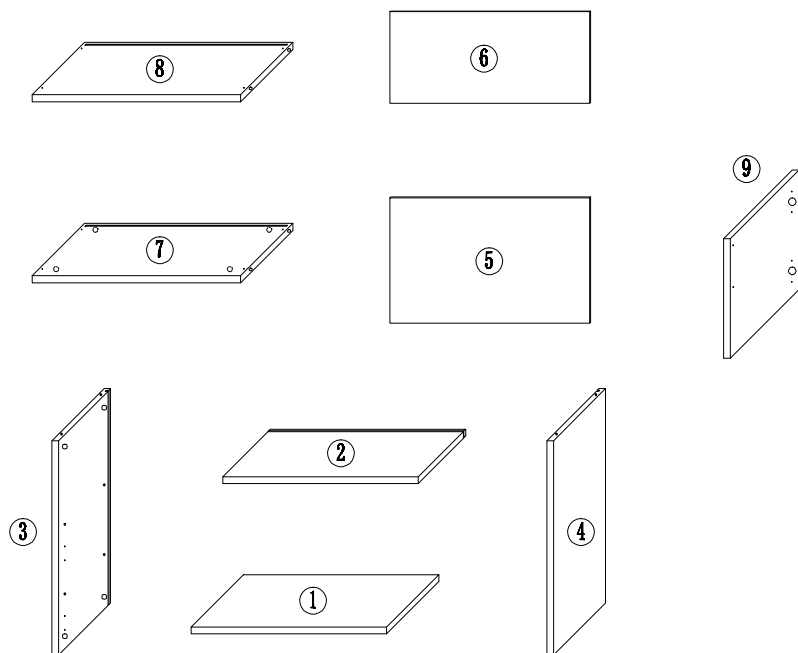
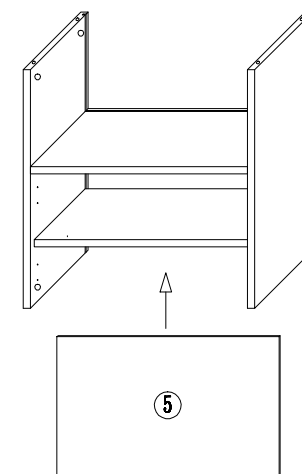
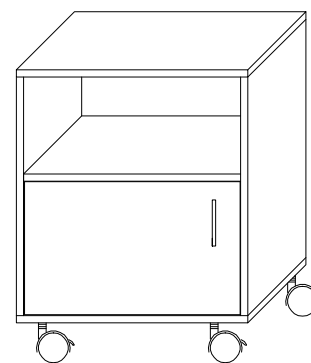


# Instruction Manual

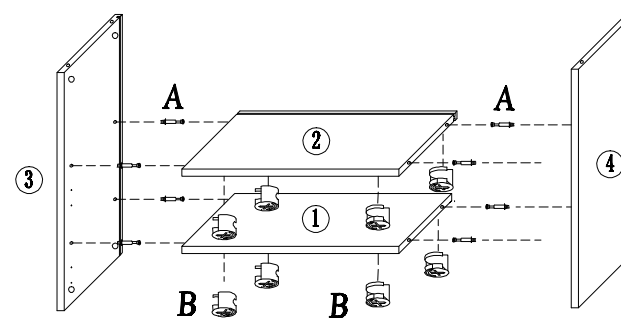
## Part List



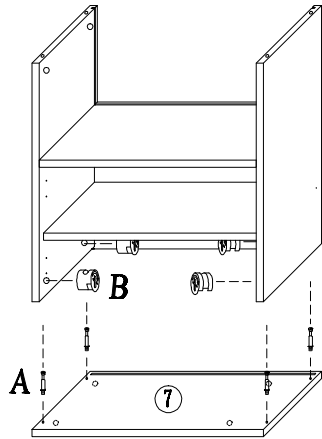
## Step2



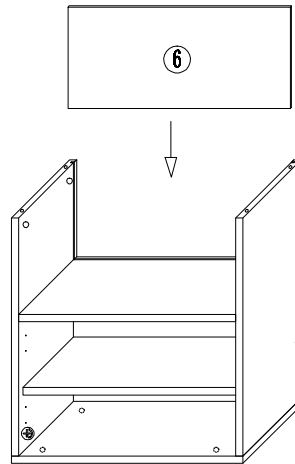
## Step1



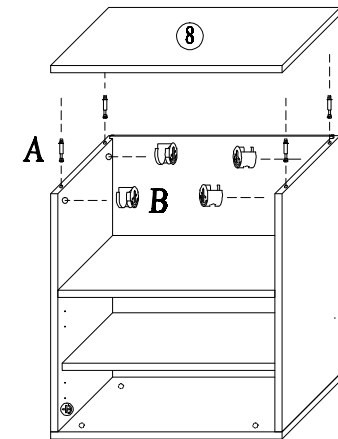
### Step3



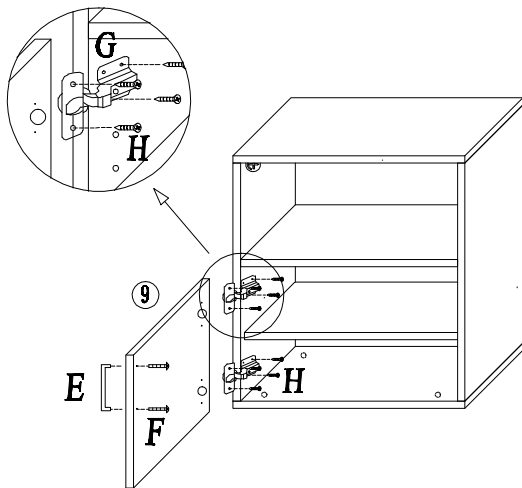
### Step4



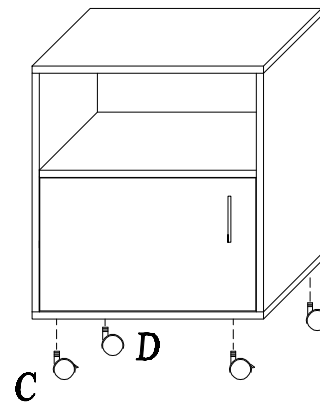
### Step5



### Step6



### Step7



### Step8

