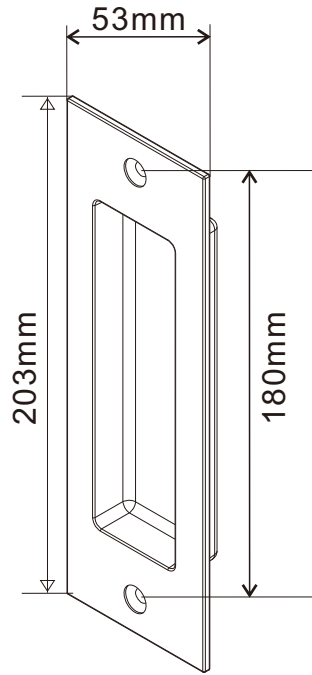
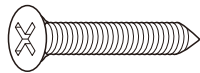


Installation

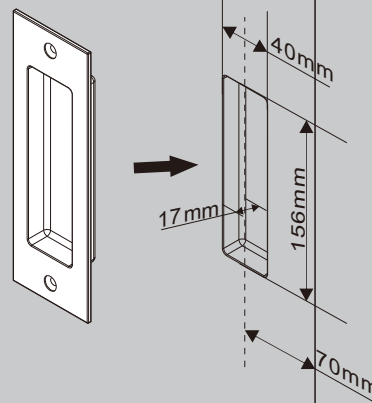


x1



ST4.2x32(x2)

1



2

