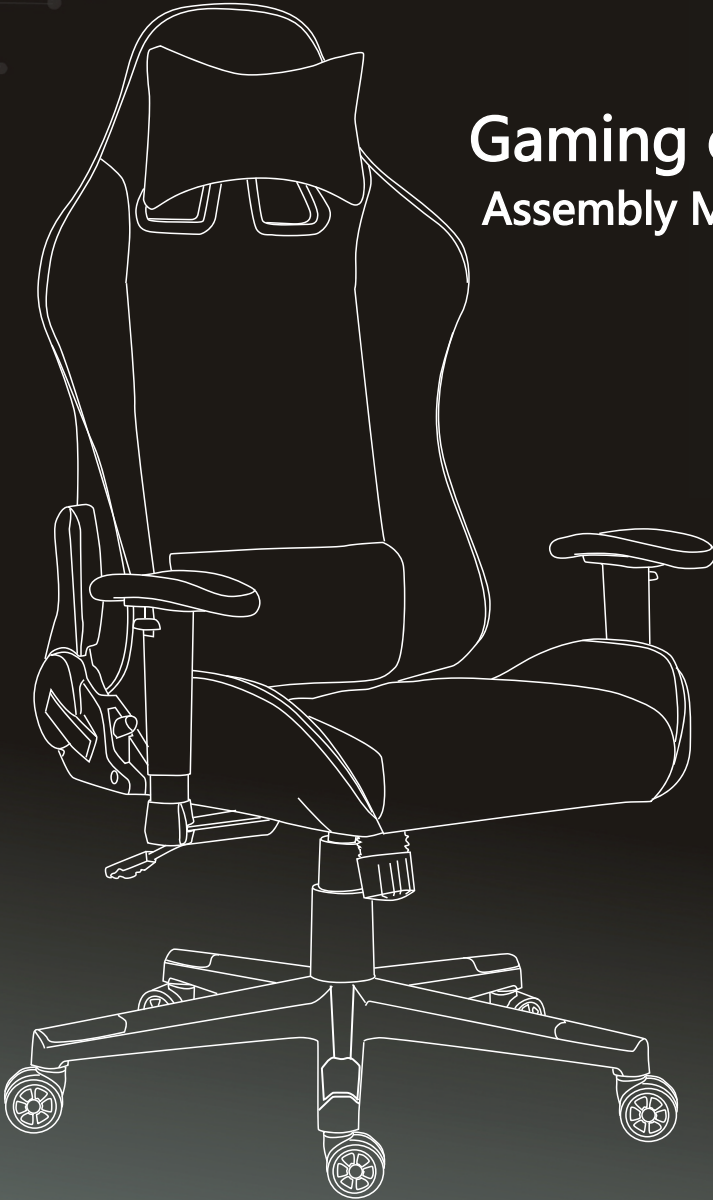


Gaming chair

Assembly Manual



Components List

Please check and make sure you get all the components on the list, any missing please mark the component you need and contact us.

A



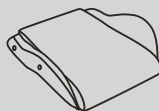
Armrests

B



Backrest

C



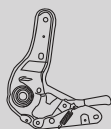
Seat cushion

D



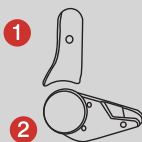
Connector

E



Angle adjuster

F



Plastic cover
right hand side

G



Plastic cover
left hand side

H



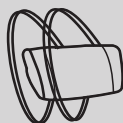
Allen Key

I



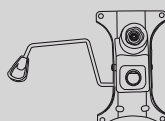
Headrest cushion

J



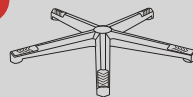
Lumbar cushion

K



Mechanism

L



Base

M



Casters

N



Gas lift

O



Plastic cover



P

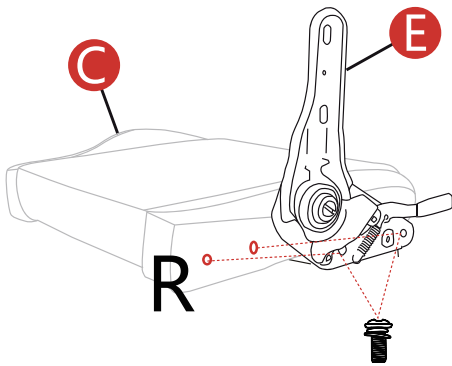


X6
M5X8mm

Installation Steps

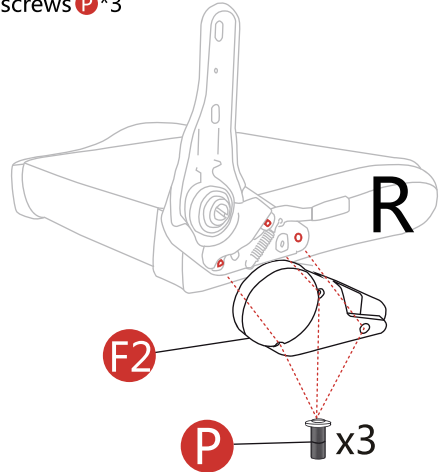
1

Remove the pre-installed screws *2
Align seat **C** & adjuster **E** with seat holes
and tighten screws *2





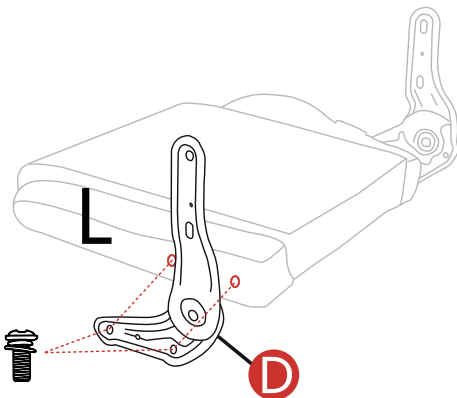
2

Align the cover **F2** with seat and tighten
screws **P***3



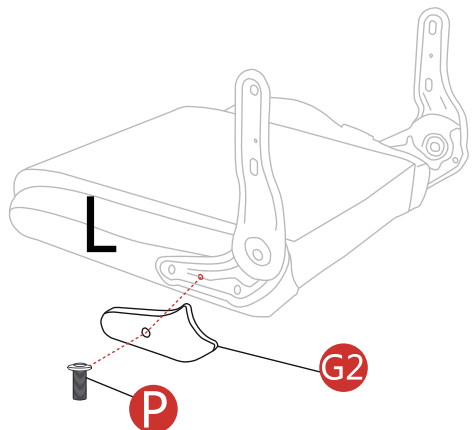
3

Remove the pre-installed screws *2
Align connector **D** & seat **C** with seat
holes and tighten screws *2



4

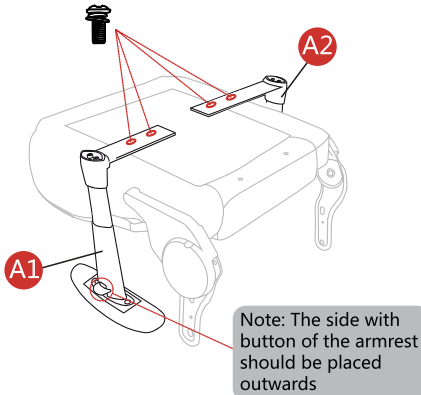
Align the cover **G2** with seat and tighten
screws **P***1



Installation Steps

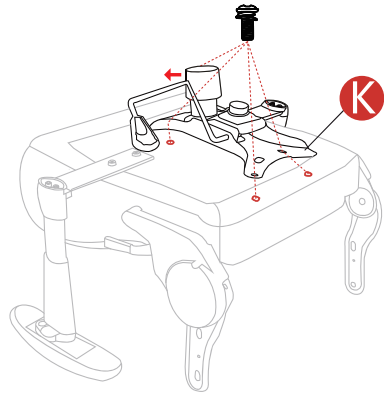
5

Remove the pre-installed screws F^*8 underneath the seat
Install the armrest A1 & A2 , please align each armrest with the outermost 2 screw holes, and tighten screws F^*2 on each side.



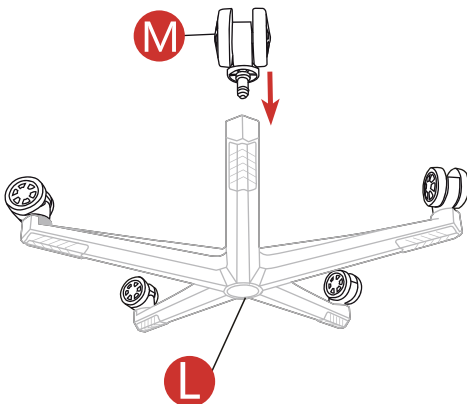
6

Install mechanism K , find the mark "FRONT" on the base, align the holes in this part with the holes in the edge of the seat and tighten screws F^*4



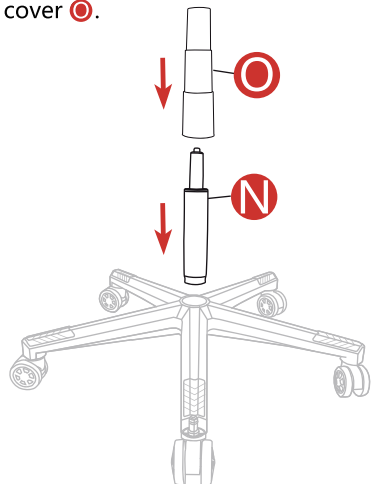
7

Invert the base L and attach the casters M *5



8

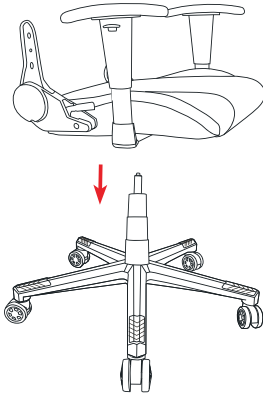
Install the Class-3 Gas Lift N and the gas lift cover O .



Installation Steps

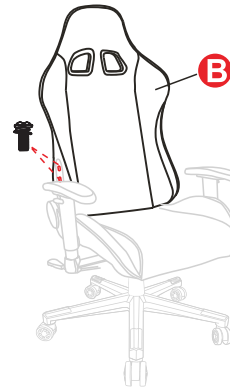
9

Install the bottom of the seat onto the gas lift.



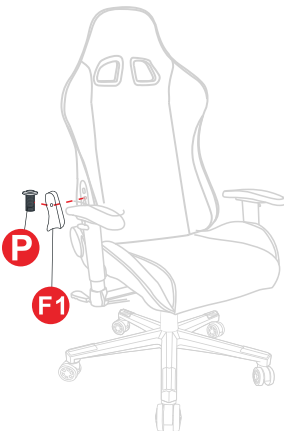
10

Remove the pre-installed screws F *2 on right sides of the backrest **B**. Install the backrest **B** with the seat **C**



11

Align the cover **F1** with backrest, then tighten the screws **P***1.



12

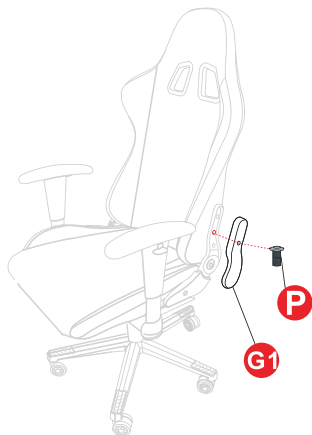
Remove the pre-installed screws F *2 on left sides of the backrest **B**. Install the backrest **B** with the seat **C**



Installation Steps

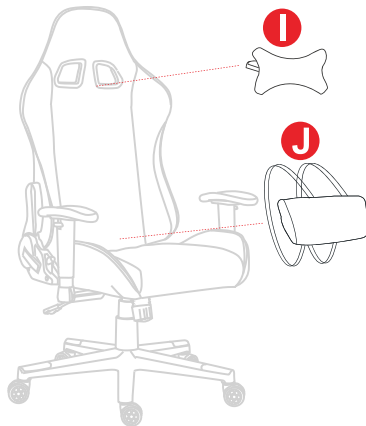
13

Align component **G1** with backrest, then tighten the screws **P***1.

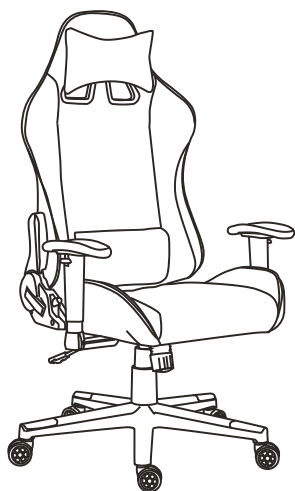


14

Attach the head pillow **I** & lumbar support **J**.



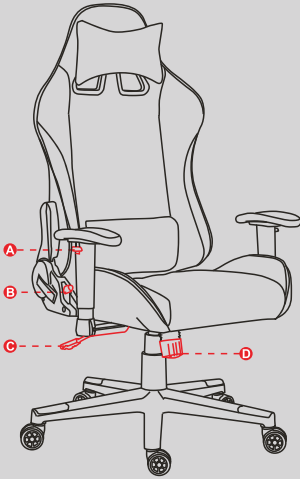
15



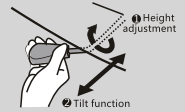
Finished!

Functions

NOTE: It is advised to check and tighten the screws at least every 60 days.
Contact us for missing, broken and defective parts and we will be glad at your service.



- A** Lift up the button on the side of the arm to adjust the arm height, raise or lower to the desired position.
- B** Lift the handle to recline and release it to any desired position. Rest on the backrest when resetting back to its normal position, otherwise it may rebound rapidly.
- C** 1. Pull upward on the lever to adjust the seat height.
2. Push the lever inward to lock, pull out to unlock the chair.
- D** Tilt-tension knob underneath the seat can adjust the
Turn it clockwise to decrease the angle, counterclockwise to increase the angle.



ATTENTIONS!

This item is not a toy!! **DO NOT** let children touch it before assembly completed!!

Please be careful when you are taking out all parts from the package.

Please confirm all components you have received before assembly.

DO NOT pull the handle before you assembly completed, it may lead to potential risk!

