

INSTALLATION

Product Manual

Version: 330203US-01-25A-XD



IMPORTANT INFORMATION!

please read the entire manual before starting to assemble and/or using this product. follow the manual thoroughly and keep it for further reference.



AVOID SCRATCHES!

In order to avoid scratching this furniture should be assembled on a soft layer- could be a rug.



IMPROVE EFFICIENCY !

Try to find a partner to install with you, which can speed up the installation efficiency and shorten the time.



ANTI-TOPPLE WARNING !

Overturnd furniture can cause serious or fatal crush injuries. To prevent tipping over, be sure to use the wall attachment, if not included with this product. Please purchase the wall attachment that fit your wall. If unsure, seek professional advice. Please read and follow each step of the instructions carefully.

IMPORTANT !

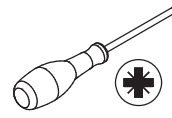
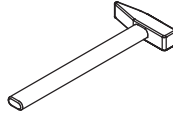
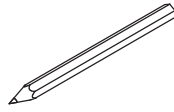
It is important that any product which is assembled using any kind of screw is re-tightened 2 weeks after assembly, and once every 3 months - in order to assure stability through-out the lifespan of the product.

For regular maintenance and cleaning of the product, for the frame, please use a rag dipped in neutral detergent to fully wipe it, and then dry it with a clean rag. For glass materials, wipe with a rag dampened with water glass cleaner, and then dry with a dry rag.

Do not use an electric screwdriver, and do not use too much force when installing, because the board is easy to break.

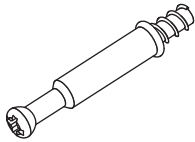


Please prepare the following tools



When installing, please carefully confirm whether each screw corresponds to the manual, accessories with similar shapes can be distinguished by size

A x 105+4



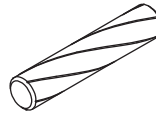
Ø 6 x 35 mm

B x 105+4



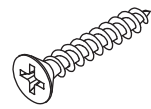
Ø 15 x 9 mm

C x 91+4



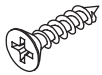
Ø 6 x 30 mm

D x 50+4



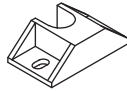
Ø 4 x 35 mm

E x 44+4

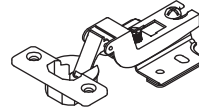


Ø 3 x 12 mm

F x 4



G x 10



H x 60+4

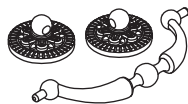


Ø 4 x 14 mm

J x 4



K x 3



L x 10+1



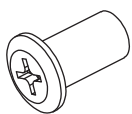
Ø 4 x 18 mm

M x 2



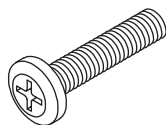
Ø 6 x 12 mm

N x 4



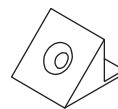
Ø 6 x 20 mm

O x 4



Ø 6 x 35 mm

P x 26+3

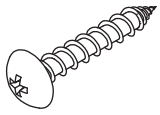


Q x 26+3



Ø 3 x 14 mm

R x 4



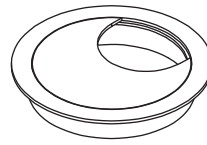
Ø4 x 30 mm

S x 36+4

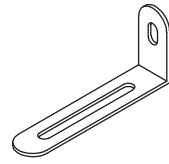


Ø20 mm

T x 1



U x 2

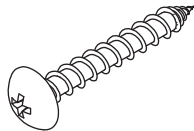


V x 2



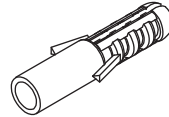
Ø4 x 12 mm

W x 2



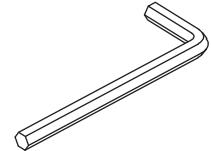
Ø4 x 35 mm

X x 2



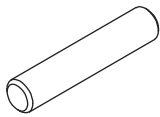
Ø6 x 30 mm

Y x 1



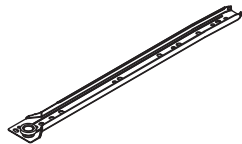
M4 mm

Z x 8



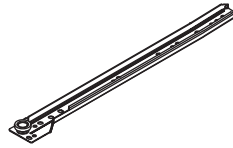
Ø5 x 25 mm

CL x 3



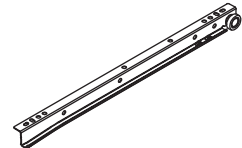
350 mm

CR x 3



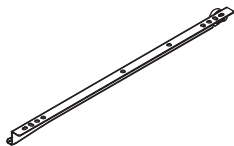
350 mm

DL x 3

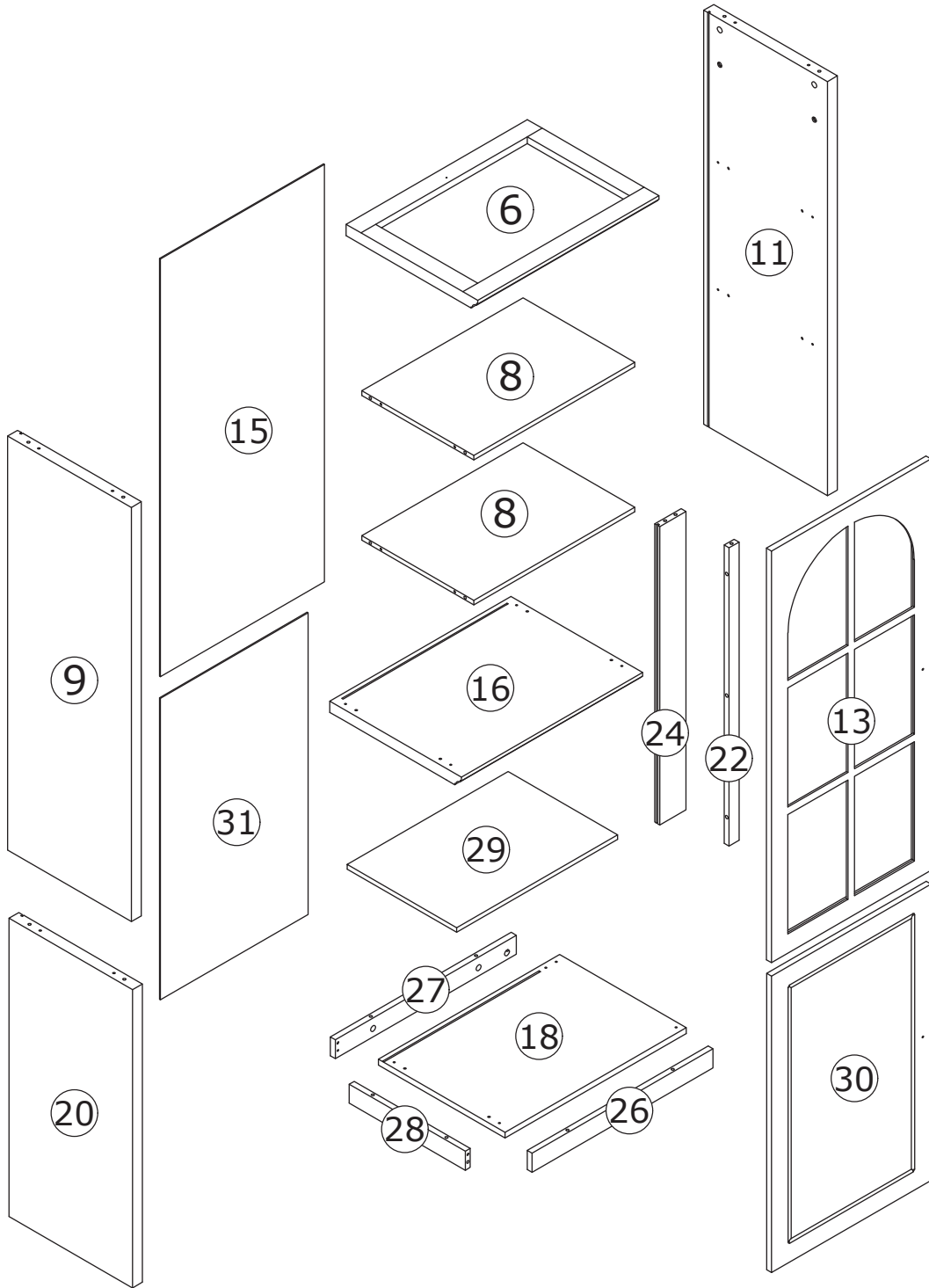


350 mm

DR x 3



350 mm



⚠ WARNING

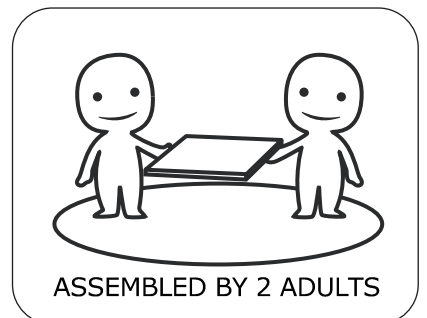


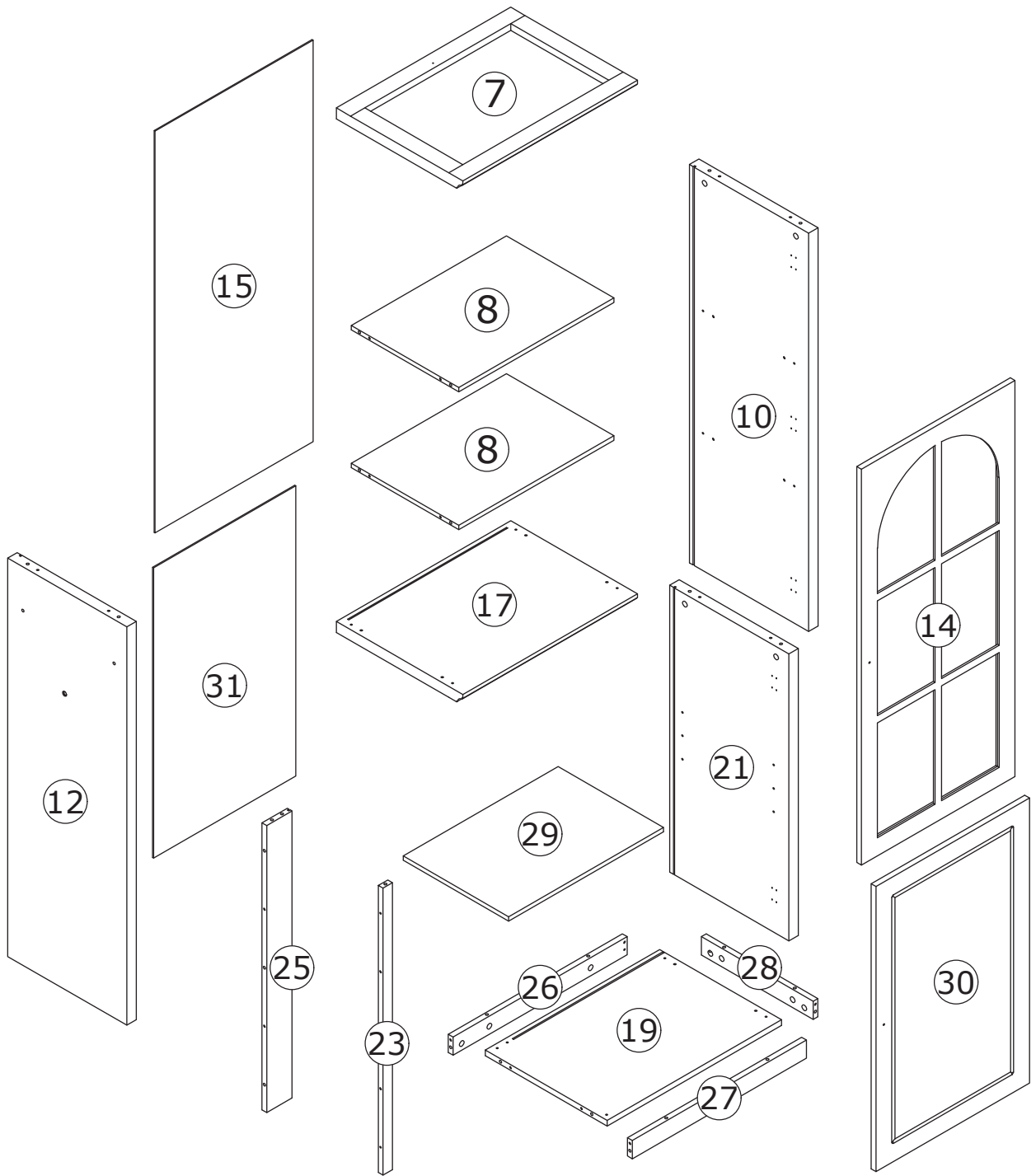
Children have died from furniture tipover. To reduce the risk of furniture tipover:

- ALWAYS install Anti-tip device provided.
- NEVER put a TV on this product.
- NEVER allow children to stand, climb or hang on drawers, doors, or shelves.
- NEVER open more than one drawer at a time.
- Place heaviest items in the lowest drawers.



*This is a permanent label.
Do not remove!*





⚠ WARNING

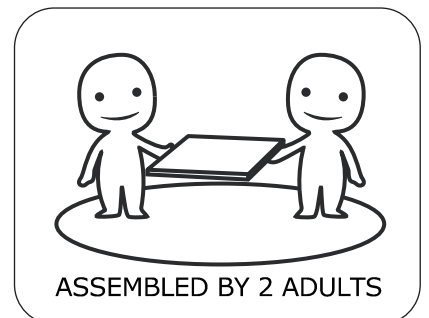


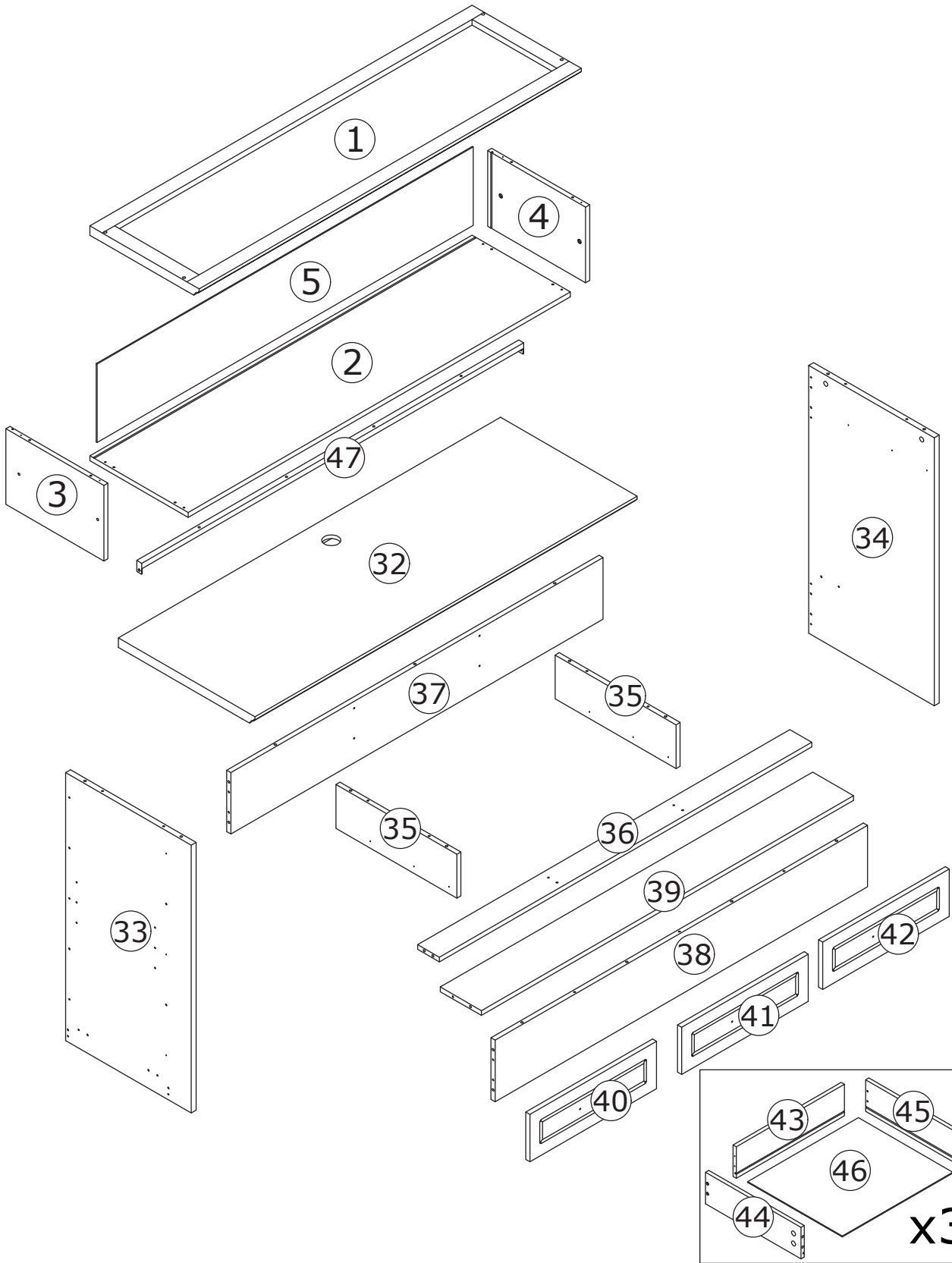
Children have died from furniture tipover. To reduce the risk of furniture tipover:

- ALWAYS install Anti-tip device provided.
- NEVER put a TV on this product.
- NEVER allow children to stand, climb or hang on drawers, doors, or shelves.
- NEVER open more than one drawer at a time.
- Place heaviest items in the lowest drawers.



*This is a permanent label.
Do not remove!*



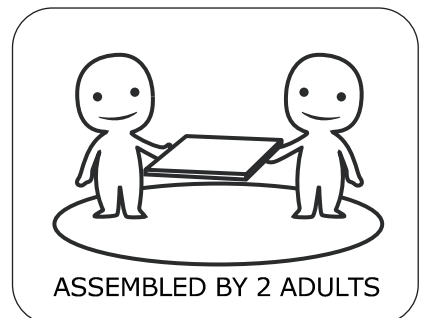
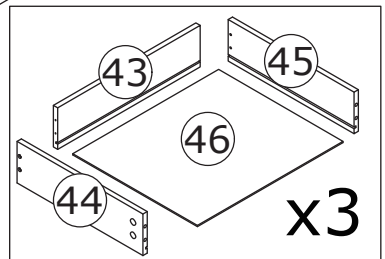


▲ WARNING

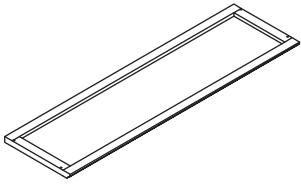
Children have died from furniture tipover. To reduce the risk of furniture tipover:

- ALWAYS install Anti-tip device provided.
- Replace with statement addressing TV use.
- NEVER allow children to stand, climb or hang on any drawers, doors, or shelves.
- NEVER open more than one drawer at a time.
- Place heaviest items in the lowest drawers.

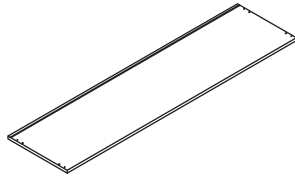
This is a permanent label. Do not remove!



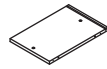
① x 1



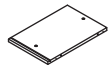
② x 1



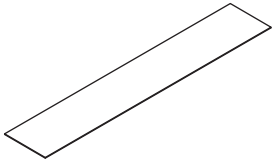
③ x 1



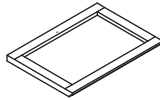
④ x 1



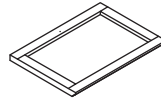
⑤ x 1



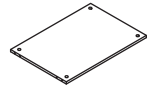
⑥ x 1



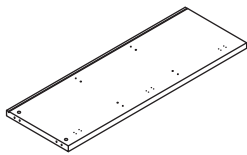
⑦ x 1



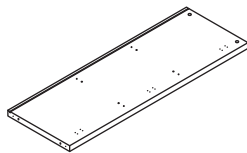
⑧ x 4



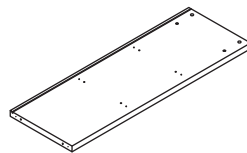
⑨ x 1



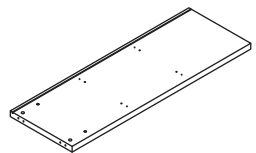
⑩ x 1



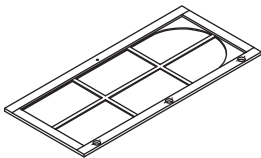
⑪ x 1



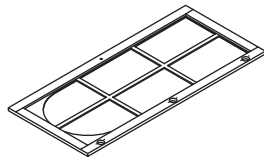
⑫ x 1



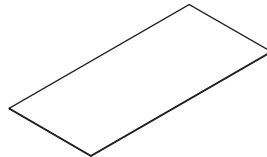
⑬ x 1



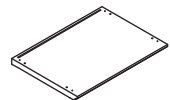
⑭ x 1



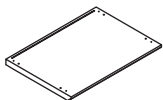
⑮ x 2



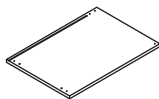
⑯ x 1



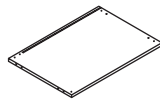
⑰ x 1



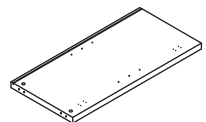
⑱ x 1



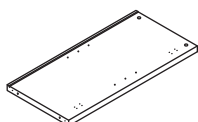
⑲ x 1



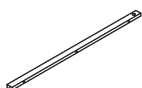
⑳ x 1



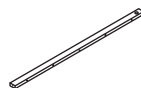
㉑ x 1



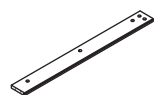
㉒ x 1



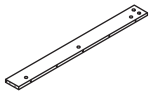
㉓ x 1



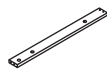
㉔ x 1



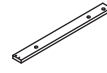
25 x 1



26 x 2



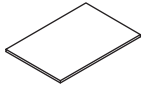
27 x 2



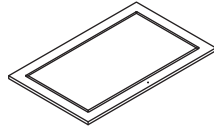
28 x 2



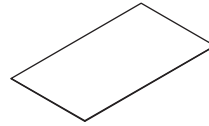
29 x 2



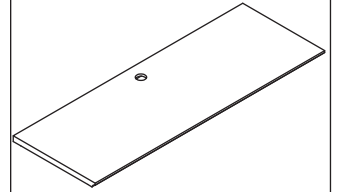
30 x 2



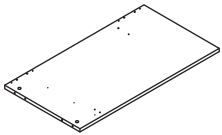
31 x 2



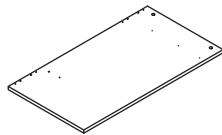
32 x 1



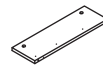
33 x 1



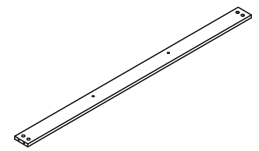
34 x 1



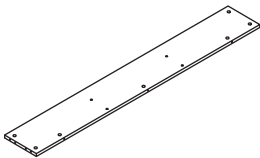
35 x 2



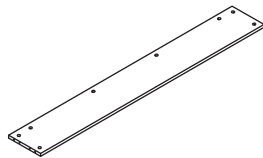
36 x 1



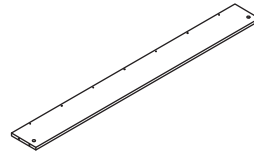
37 x 1



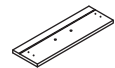
38 x 1



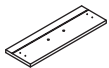
39 x 1



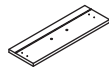
40 x 1



41 x 1



42 x 1



43 x 3



44 x 3



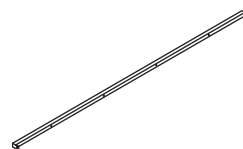
45 x 3



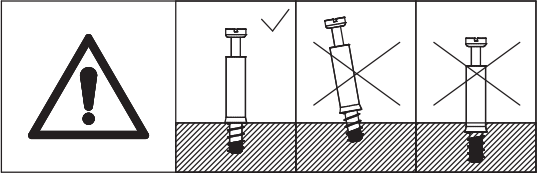
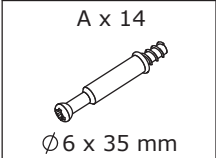
46 x 3



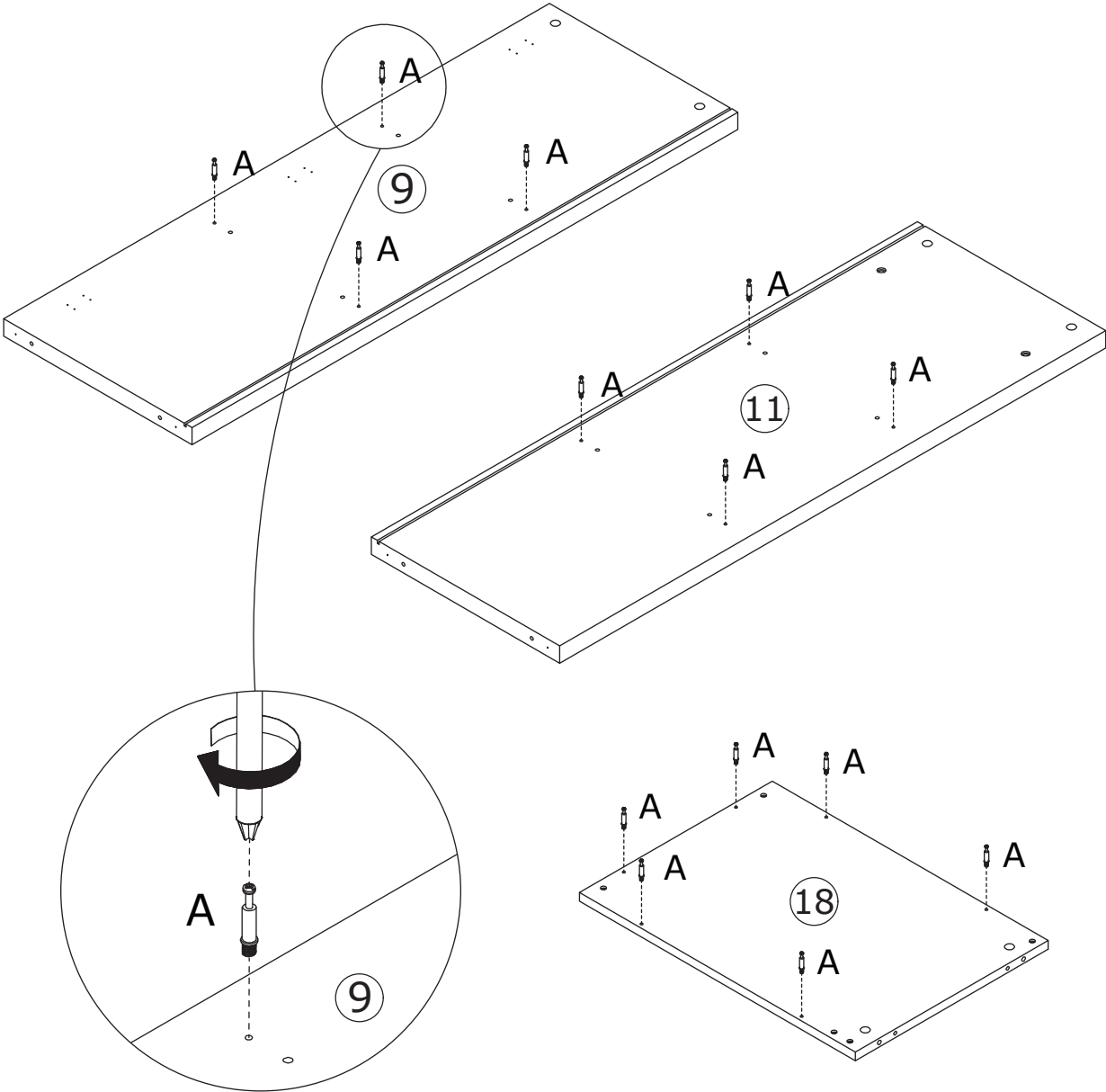
47 x 1



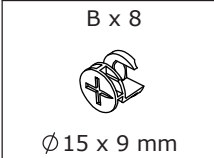
1



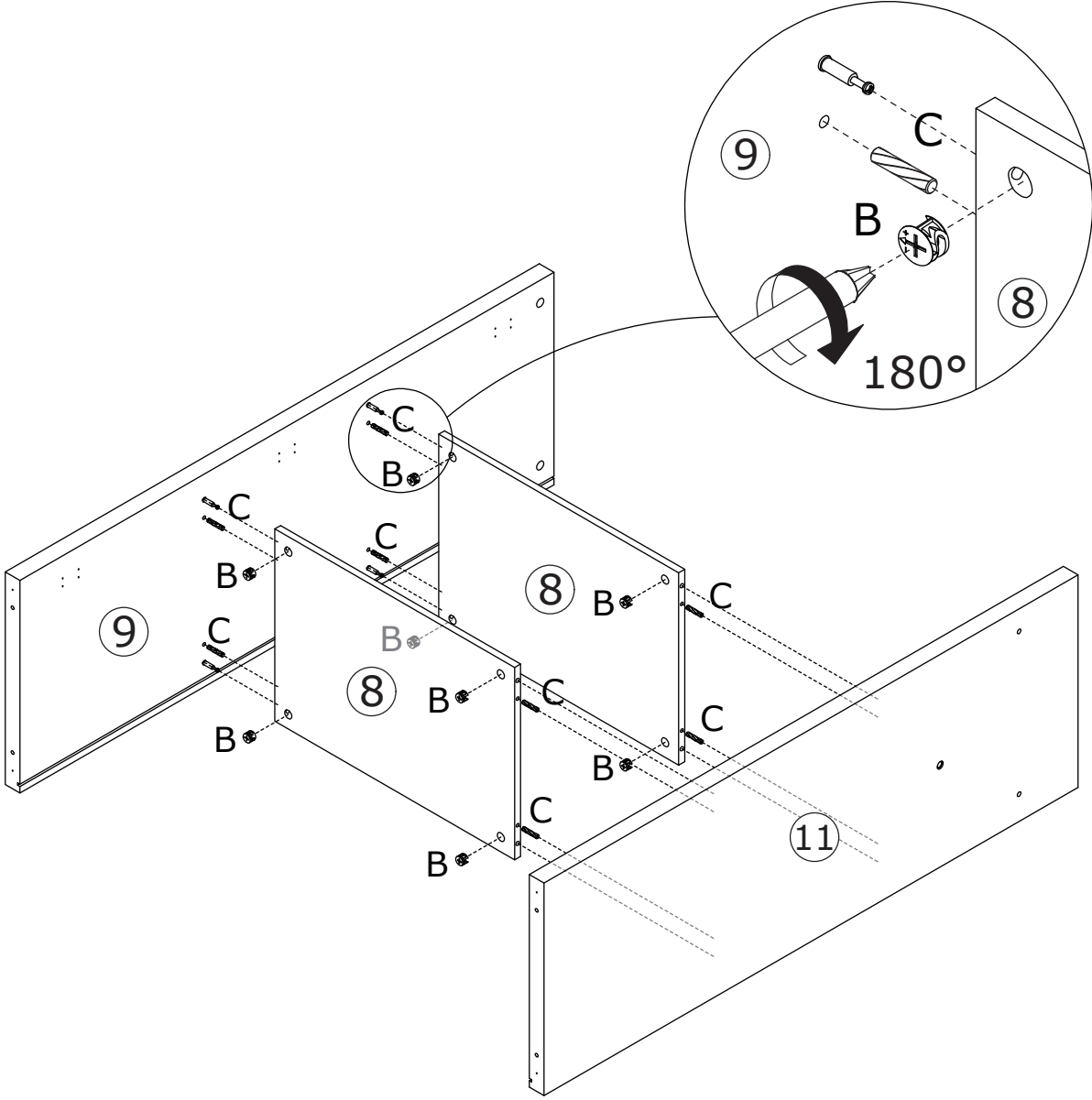
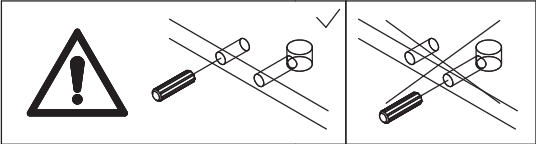
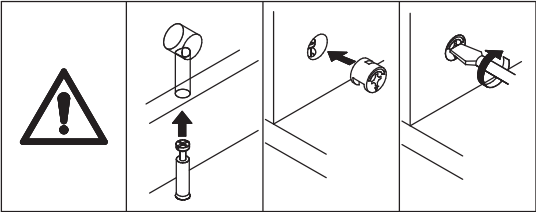
Screw eccentric rod (A) onto panels 9, 11, and 18.



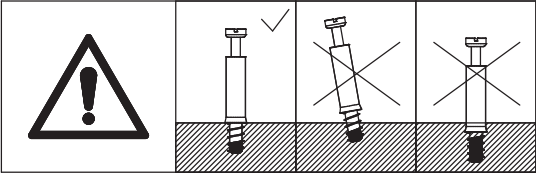
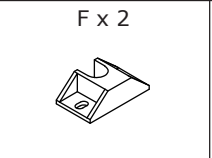
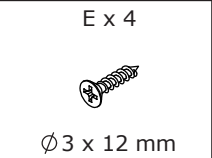
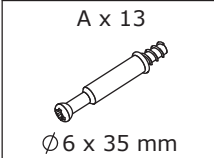
2



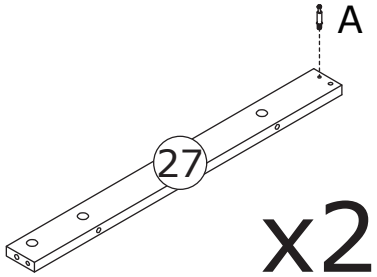
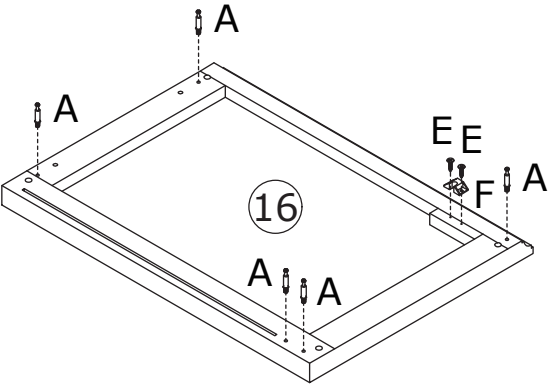
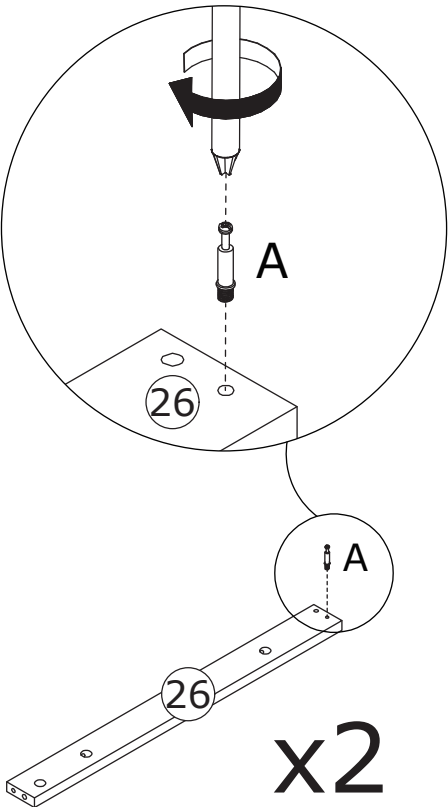
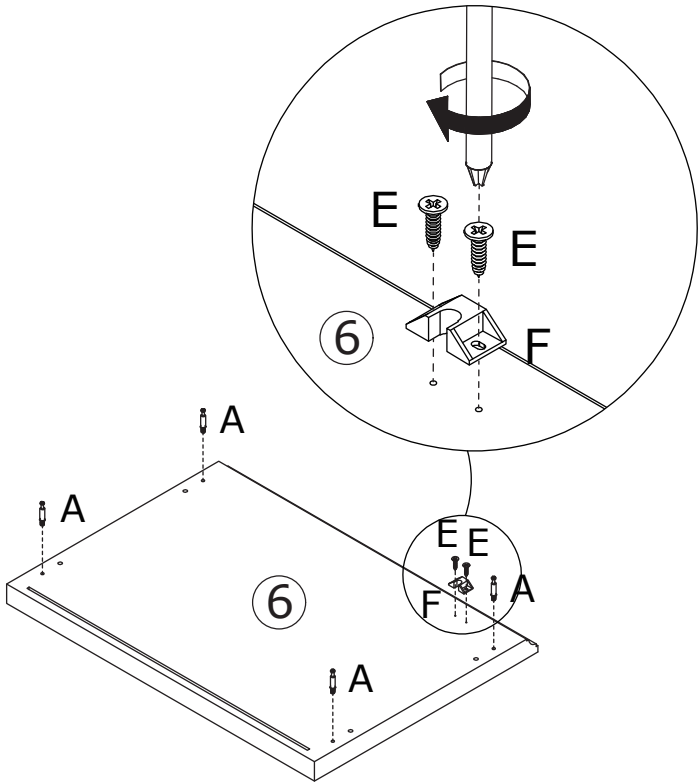
Connect panel 8 to panels 9 and 11 using dowels (C), then tighten by turning eccentric cam (B) clockwise.



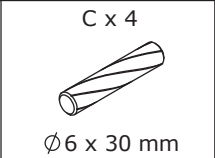
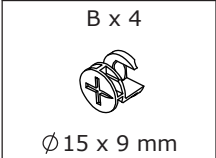
3



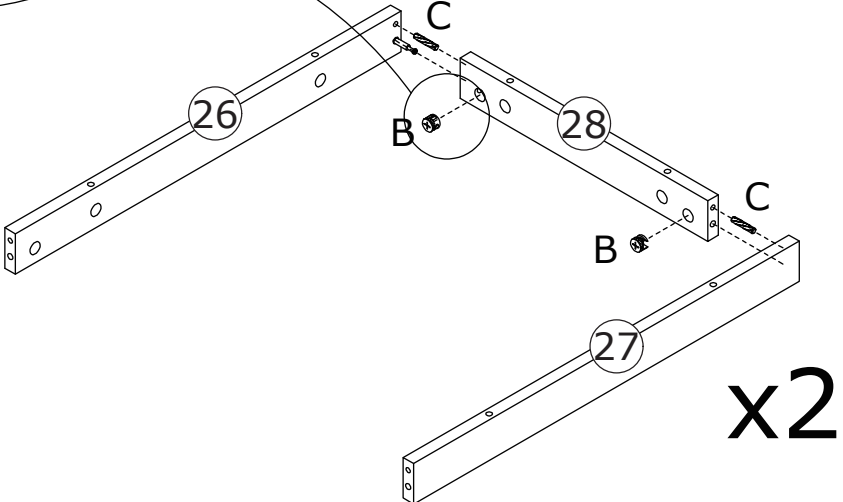
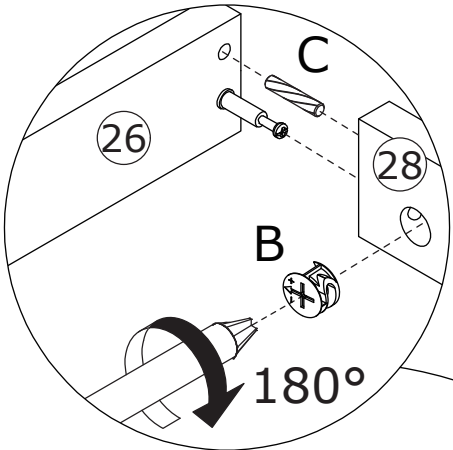
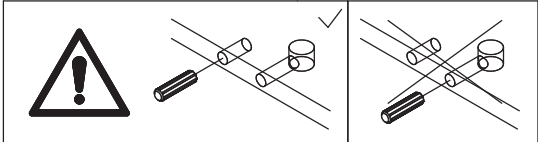
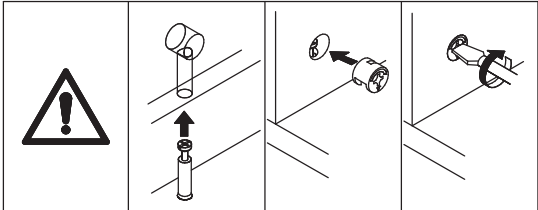
Screw eccentric rod (A) onto panels 6, 16, 26, and 27.
Secure plastic clips (F) to panels 6 and 16 using screws (E).



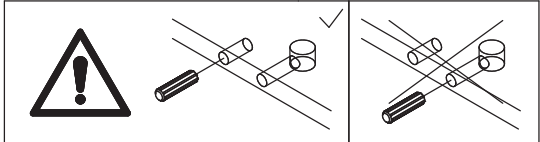
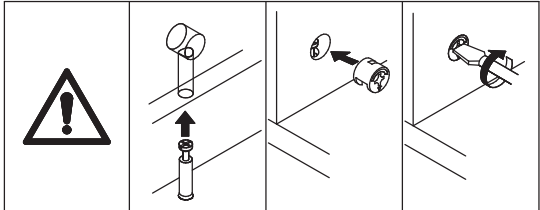
4



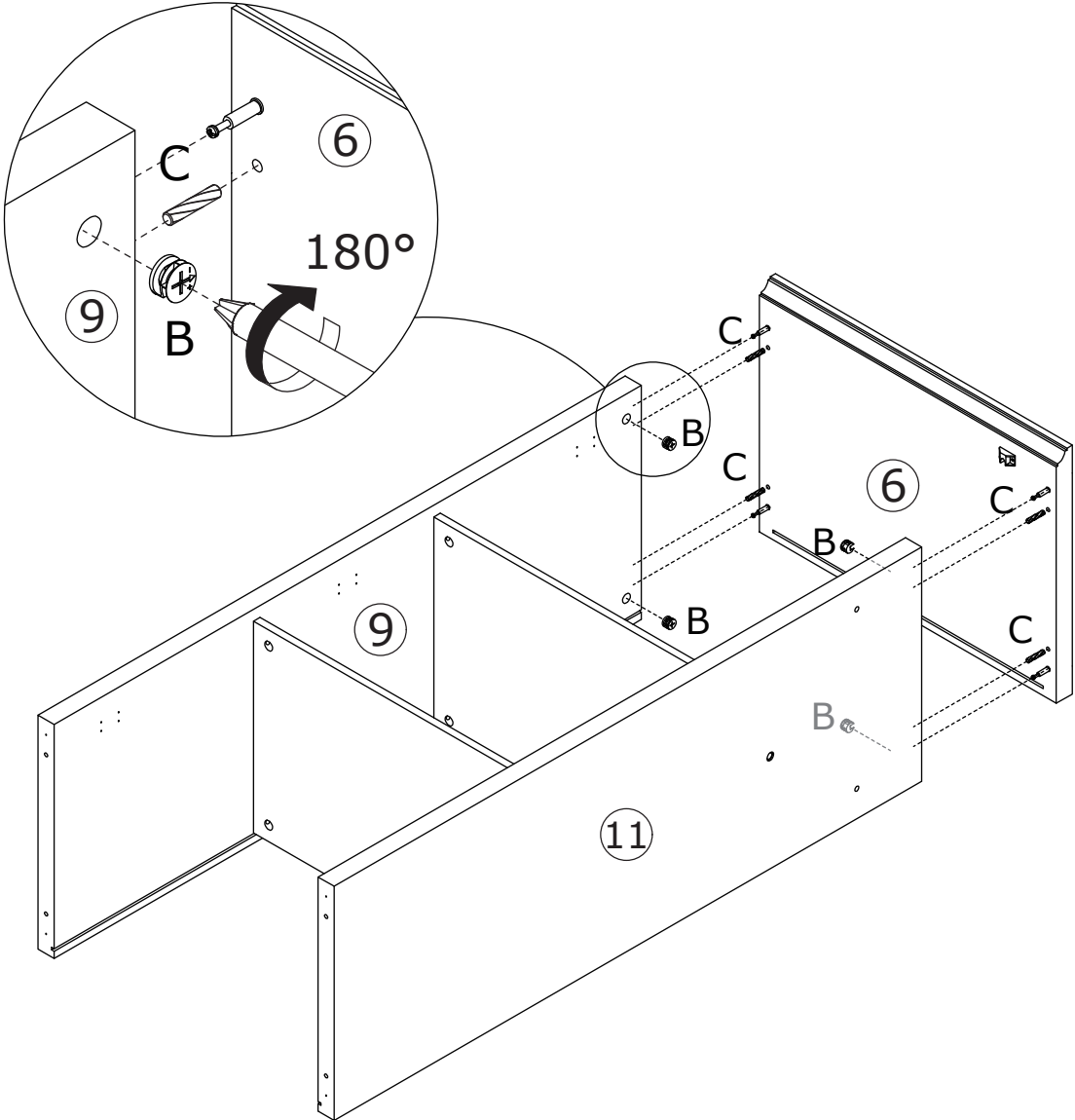
Connect panel 28 to panels 27 and 26 using dowels (C), then tighten by turning eccentric cam (B) clockwise.



5



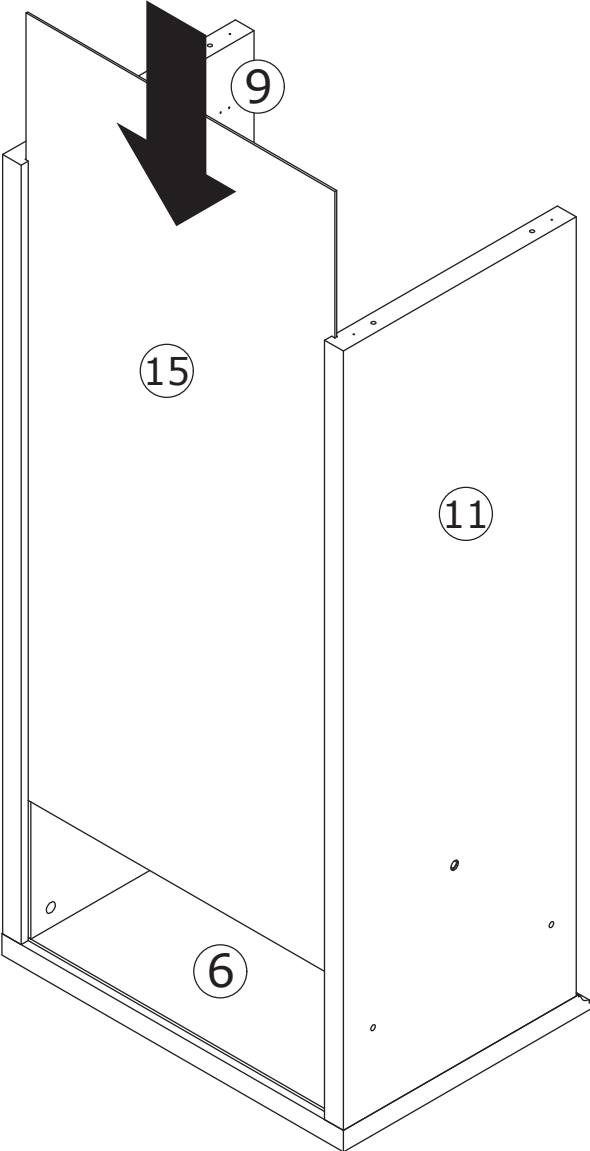
Connect panel 6 to panels 9 and 11 using dowels (C), then tighten by turning eccentric cam (B) clockwise.



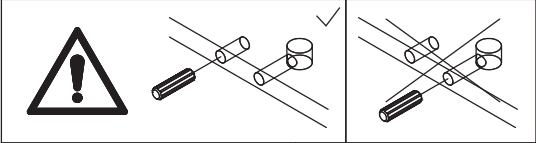
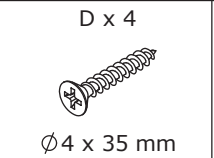
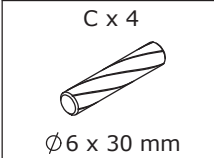
6



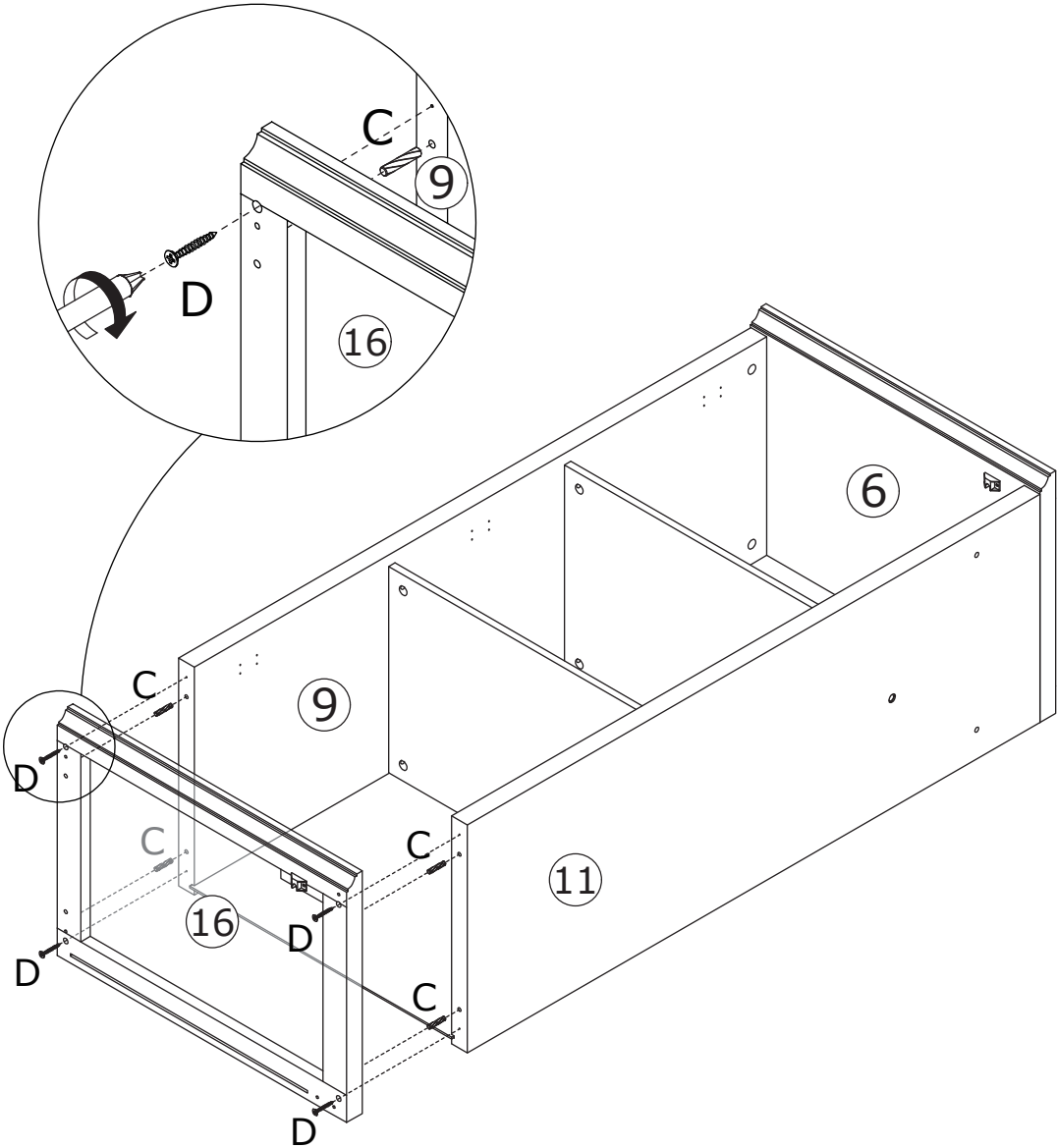
Slide panel 15 along the available grooves.



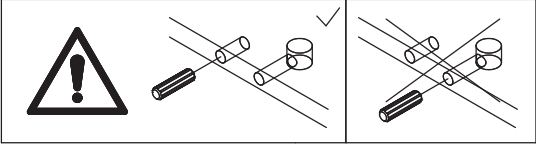
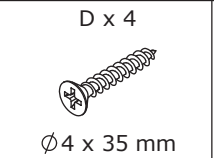
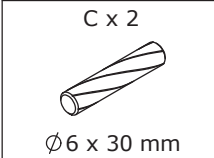
7



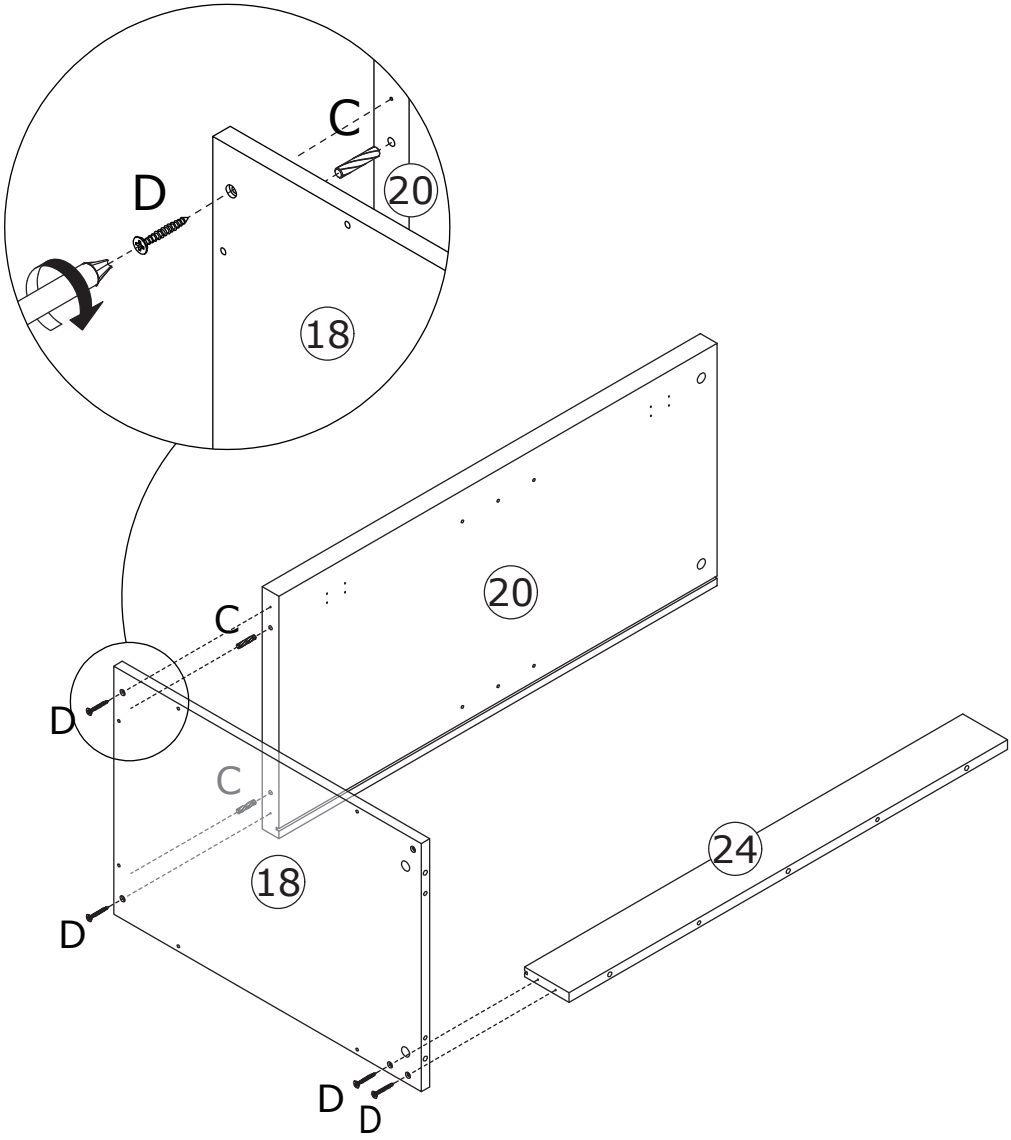
Connect panel 16 to panels 9 and 11 using dowels (C), then secure with screws (D).



8



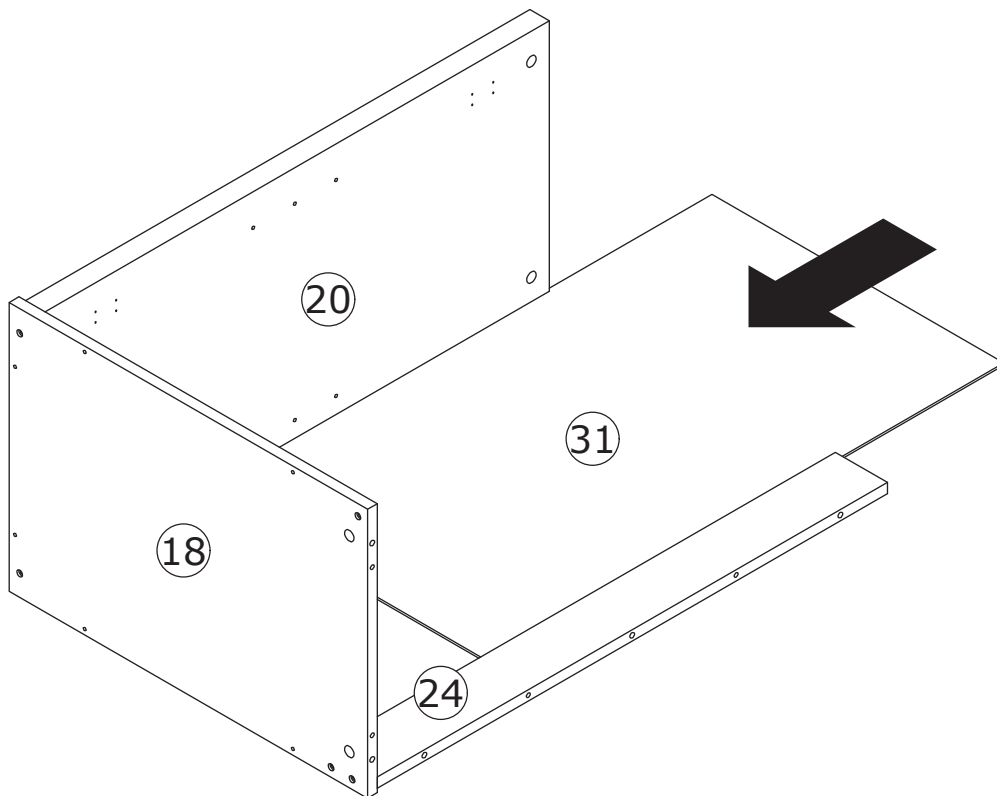
Connect panel 18 to panels 24 and 20 using dowels (C), then secure with screws (D).






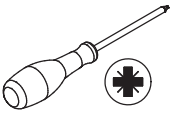
9



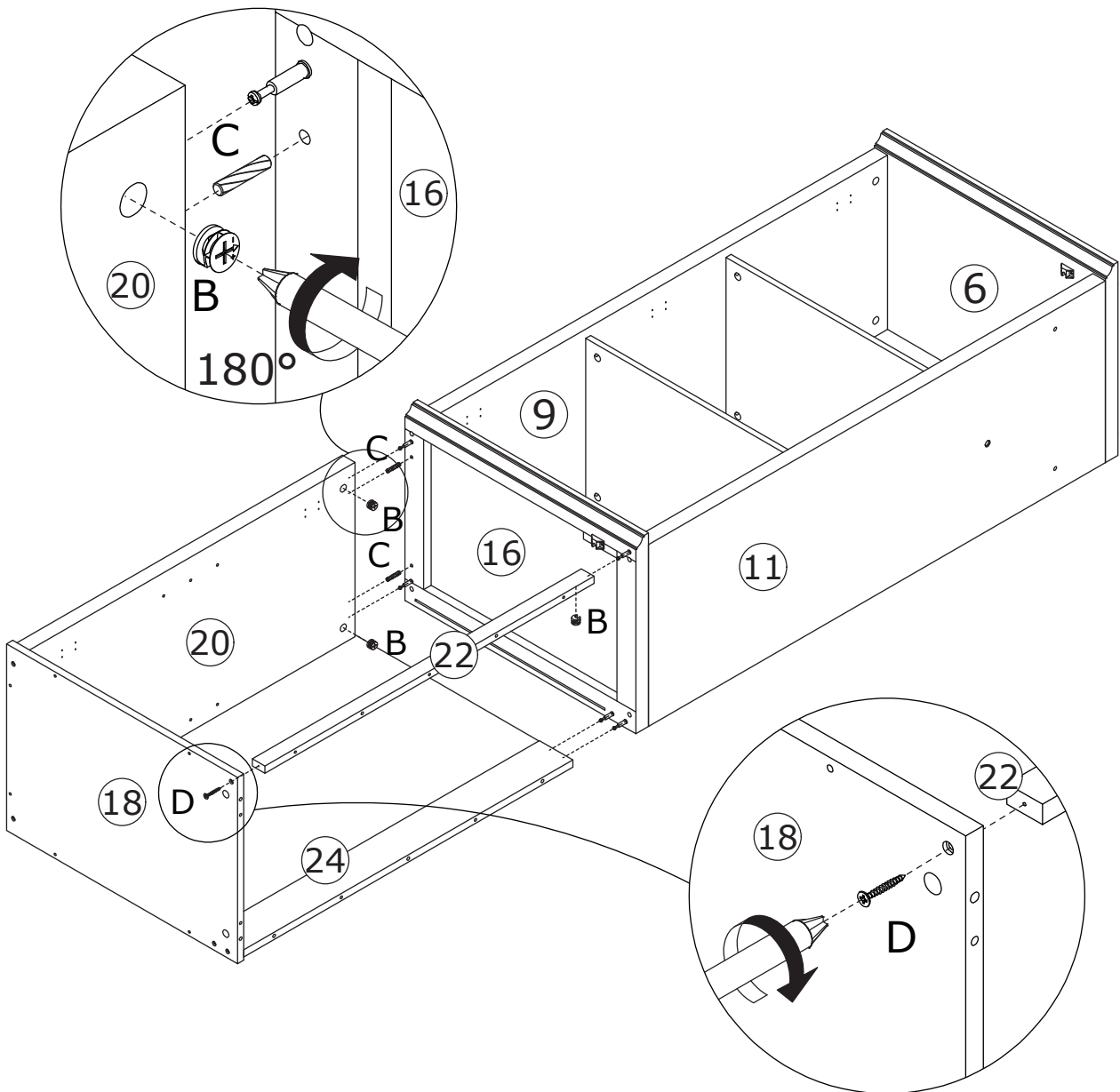
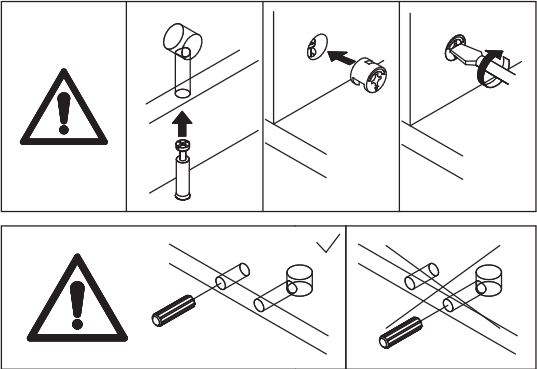
Slide panel 31 along the available grooves.




10

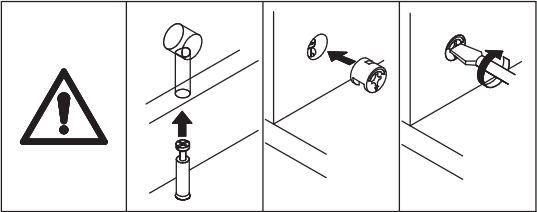
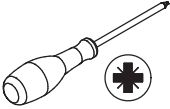
<p>B x 3</p>  <p>Ø15 x 9 mm</p>	<p>C x 2</p>  <p>Ø6 x 30 mm</p>	<p>D x 1</p>  <p>Ø4 x 35 mm</p>	
------------------------------------------------------------------------------------------------------------------	------------------------------------------------------------------------------------------------------------------	------------------------------------------------------------------------------------------------------------------	-------------------------------------------------------------------------------------

Connect the two assembled components using dowels (C), then tighten by turning eccentric cam (B) clockwise. Secure panel 18 to panel 22 together using screw (D).

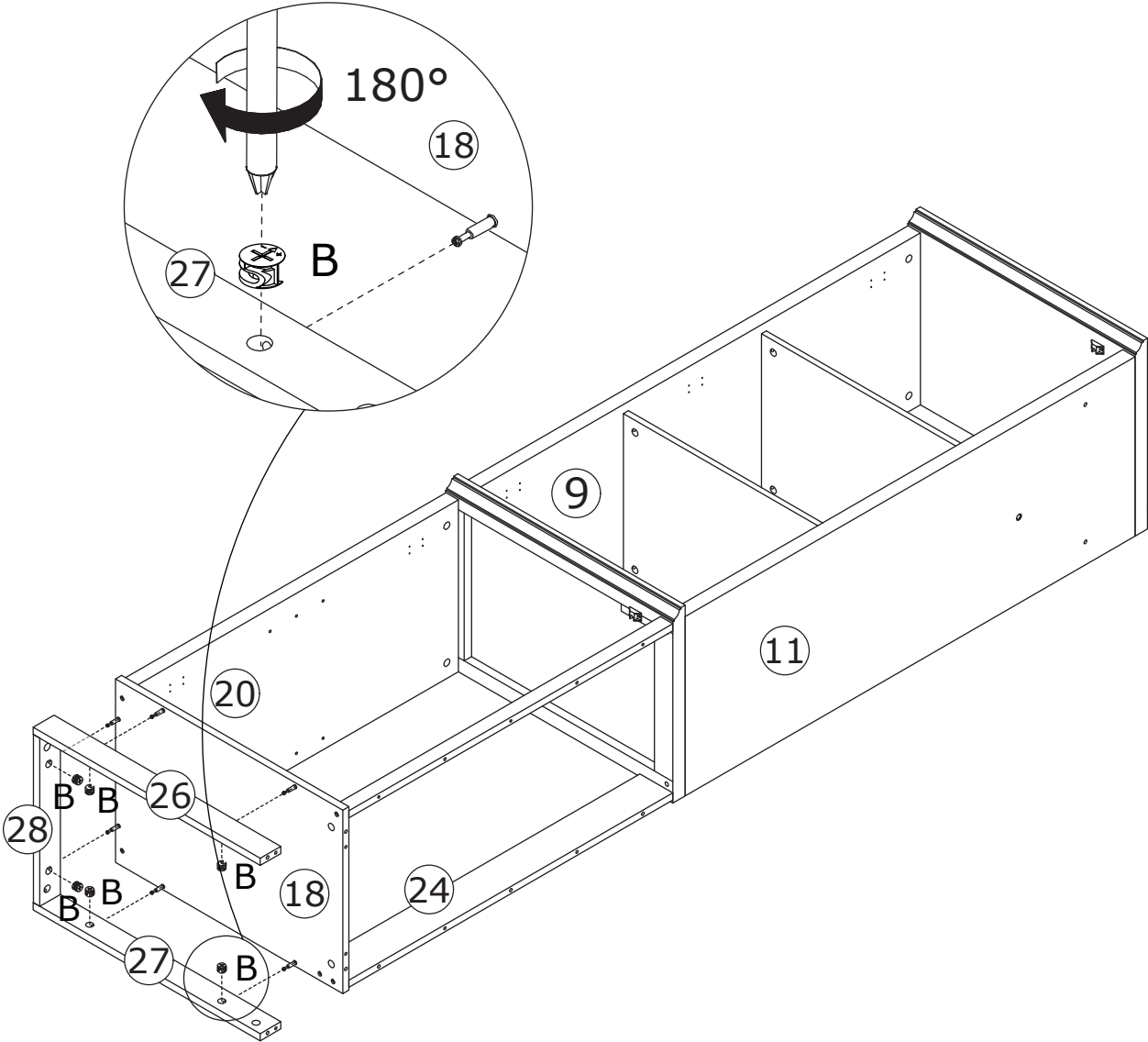


11

B x 6

Ø15 x 9 mm

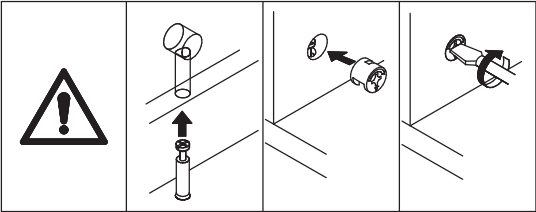
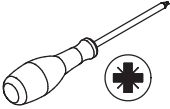


Connect panels 26, 27, and 28 to panel 18, then tighten by turning eccentric cam (B) clockwise.

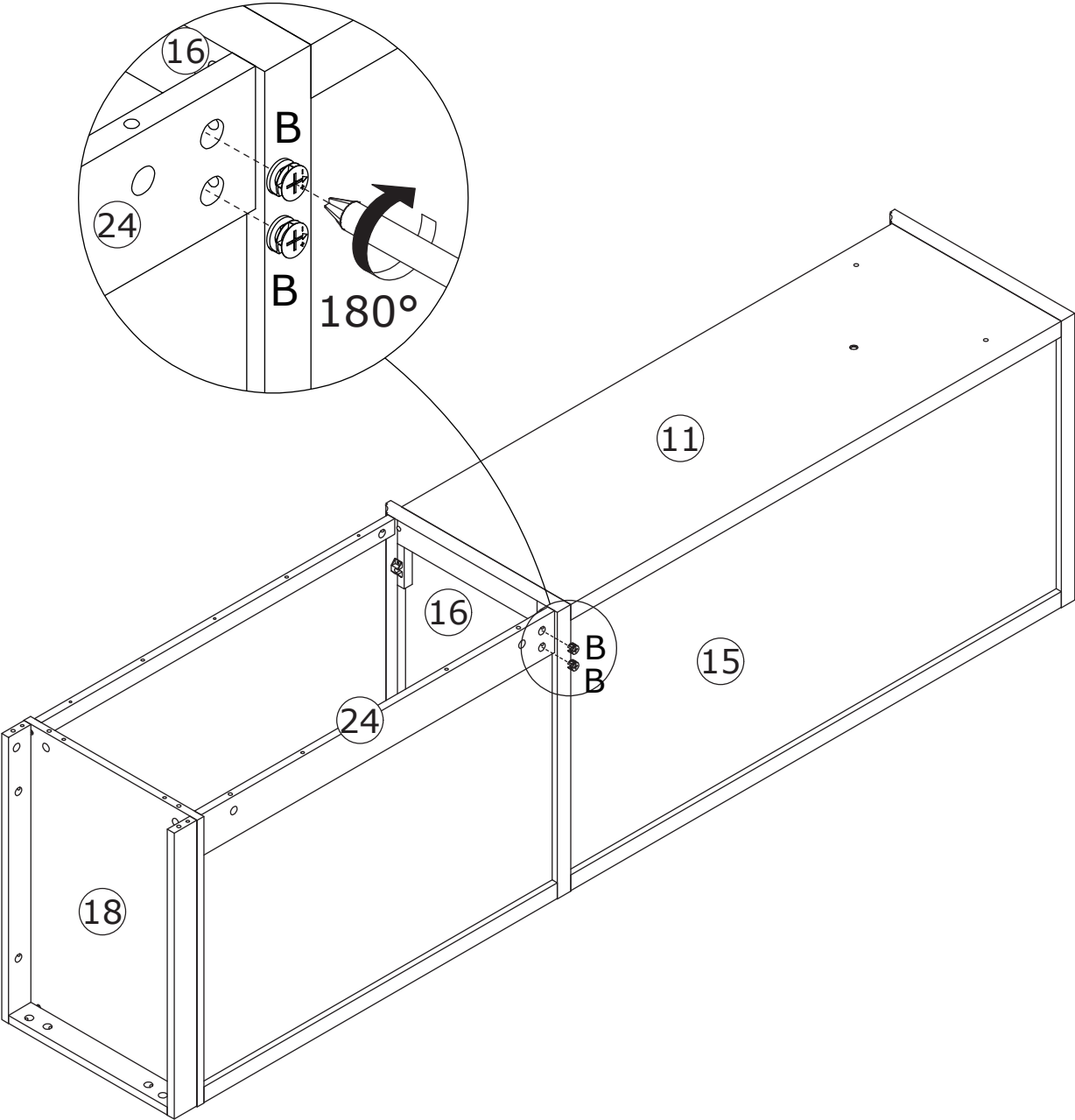


12

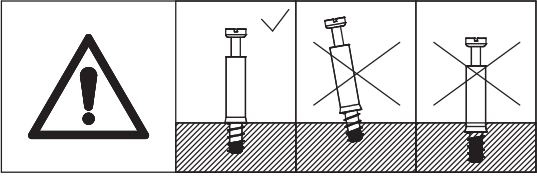
B x 2
Ø15 x 9 mm



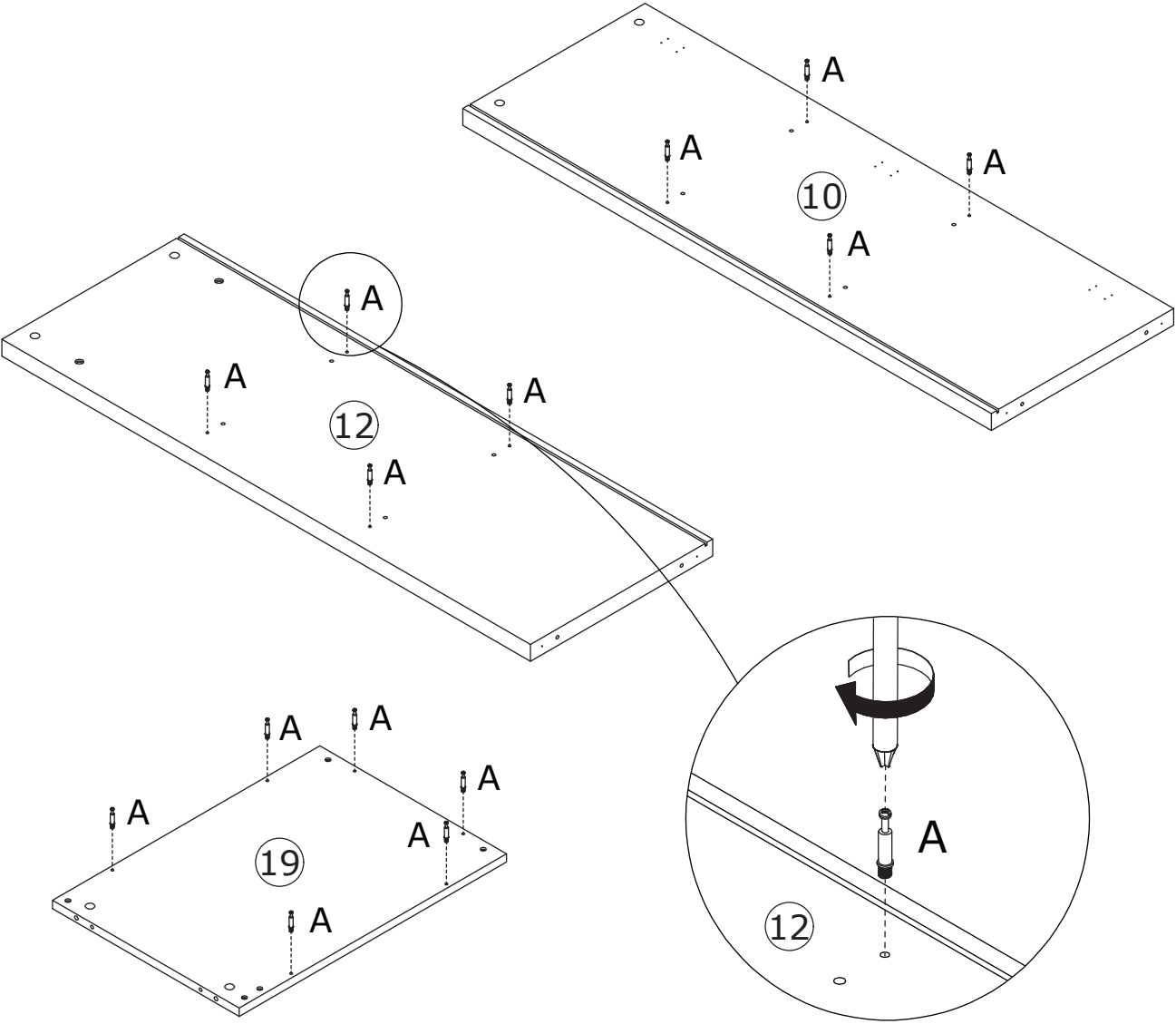
Lift the unit up, put eccentric cam (B) into panel 24, then tighten by turning clockwise.



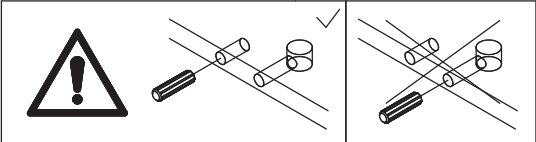
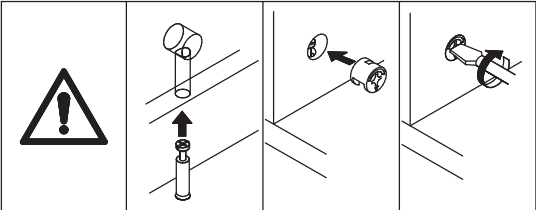
13



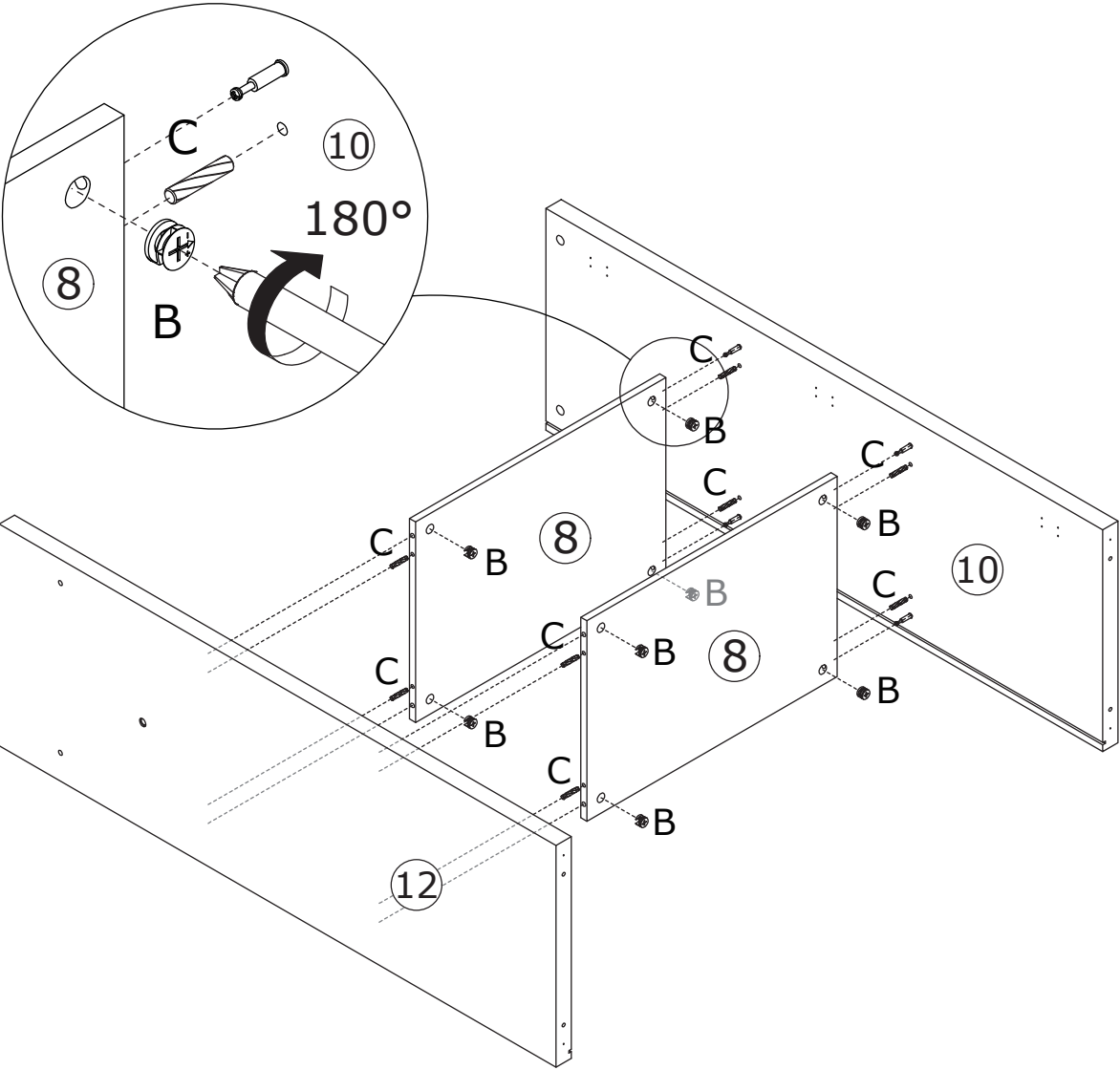
Screw eccentric rod (A) onto panes 10, 12, and 19.



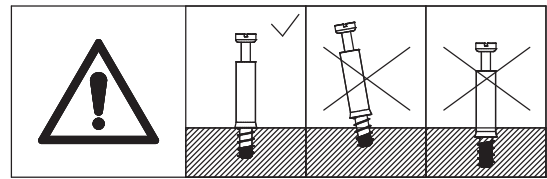
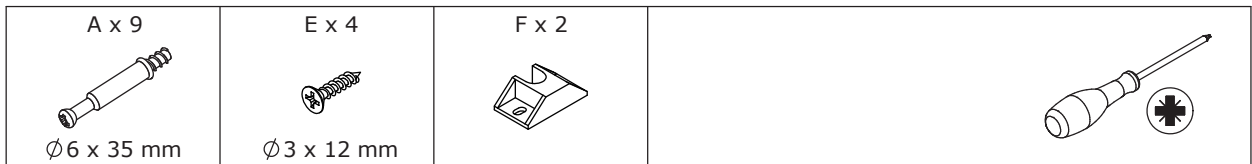
14



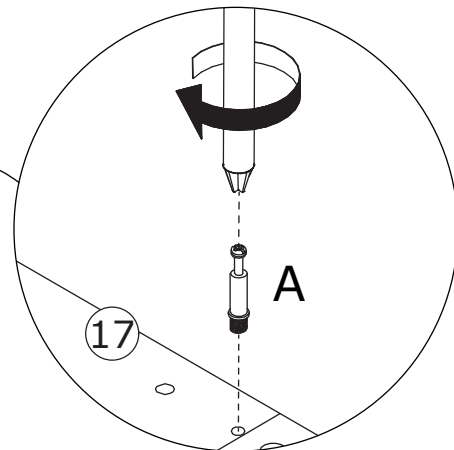
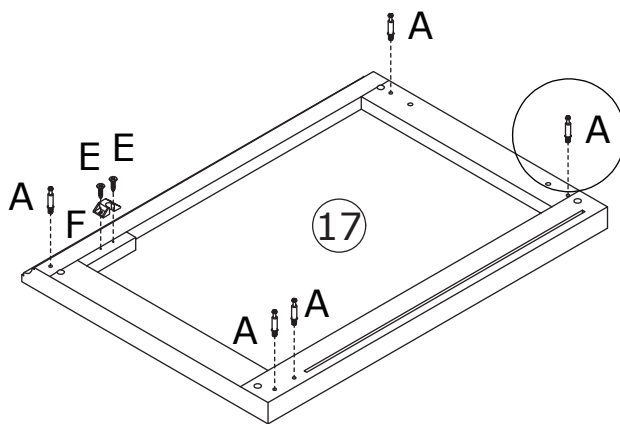
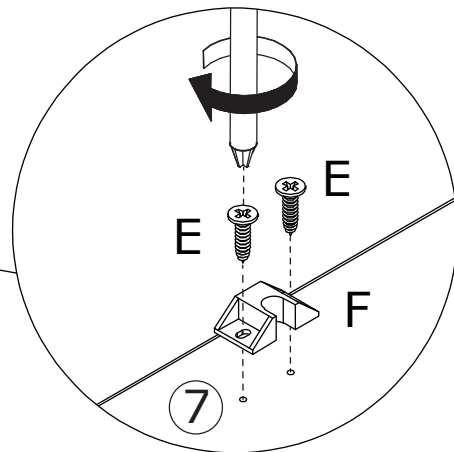
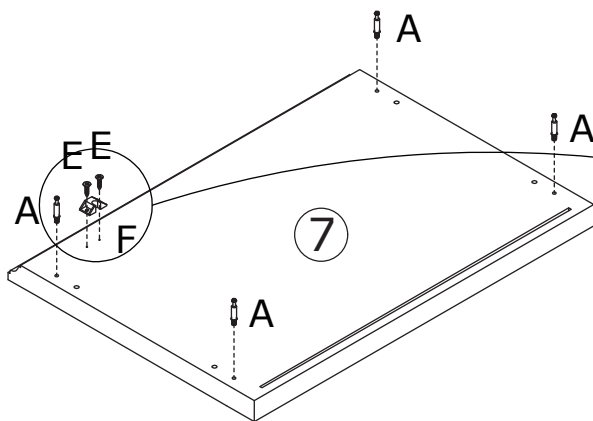
Connect panel 8 to panels 10 and 12 using dowels (C), then tighten by turning eccentric cam (B) clockwise.



15



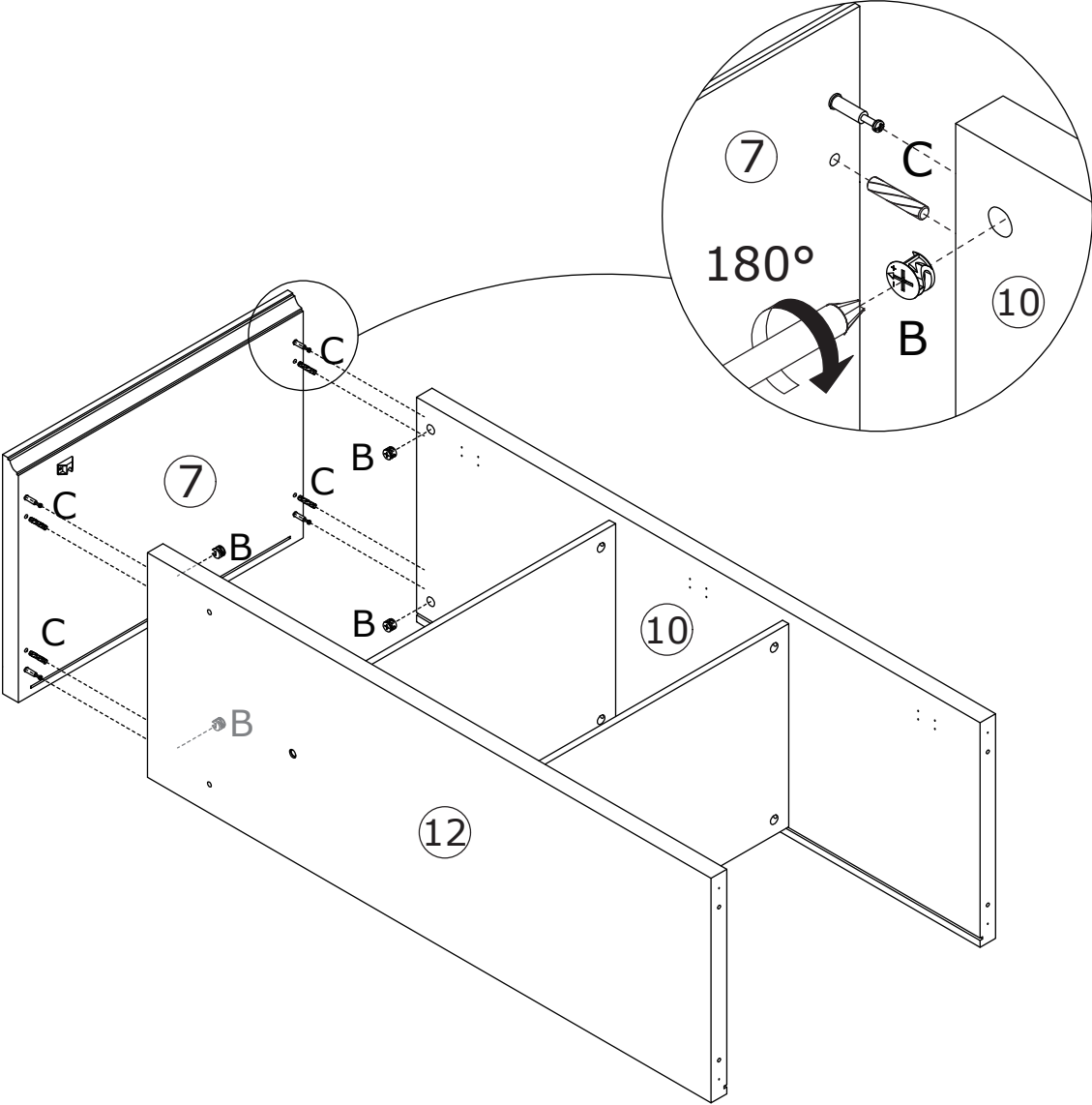
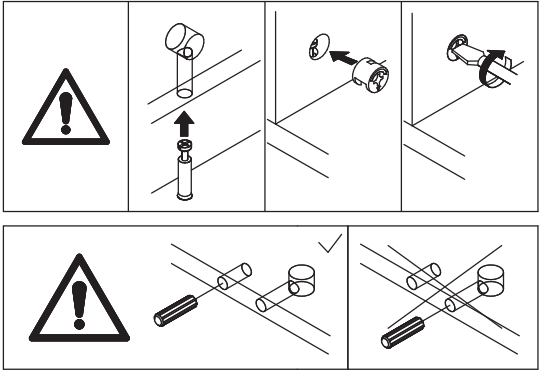
Secure plastic clips (F) to panels 7 and 17 using screws (E).
Screw eccentric rod (A) onto panes 7 and 17.



16

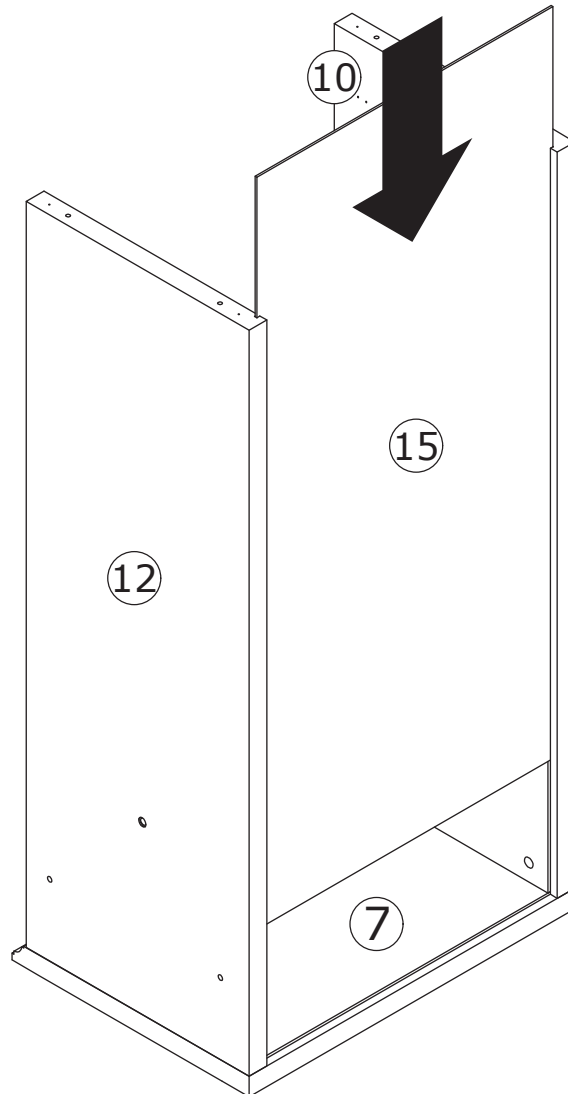


Connect panel 7 to panels 10 and 12 using dowels (C), then tighten by turning eccentric cam (B) clockwise.

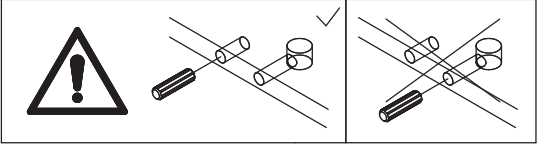


17

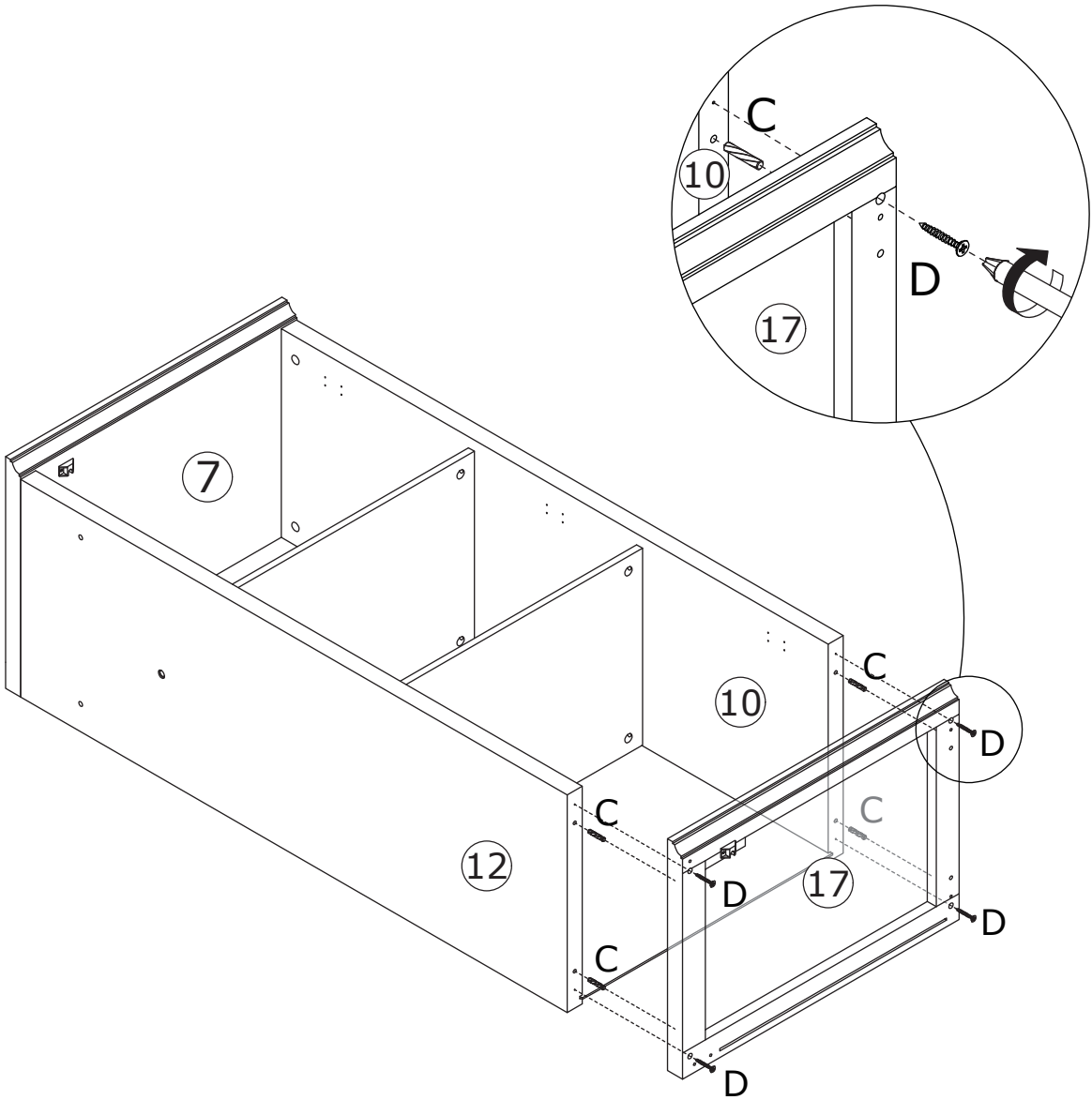
Slide panel 15 along the available grooves



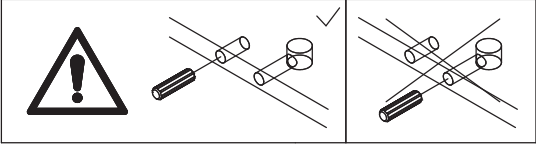
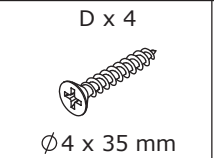
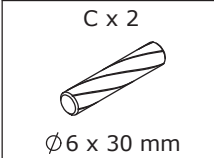
18



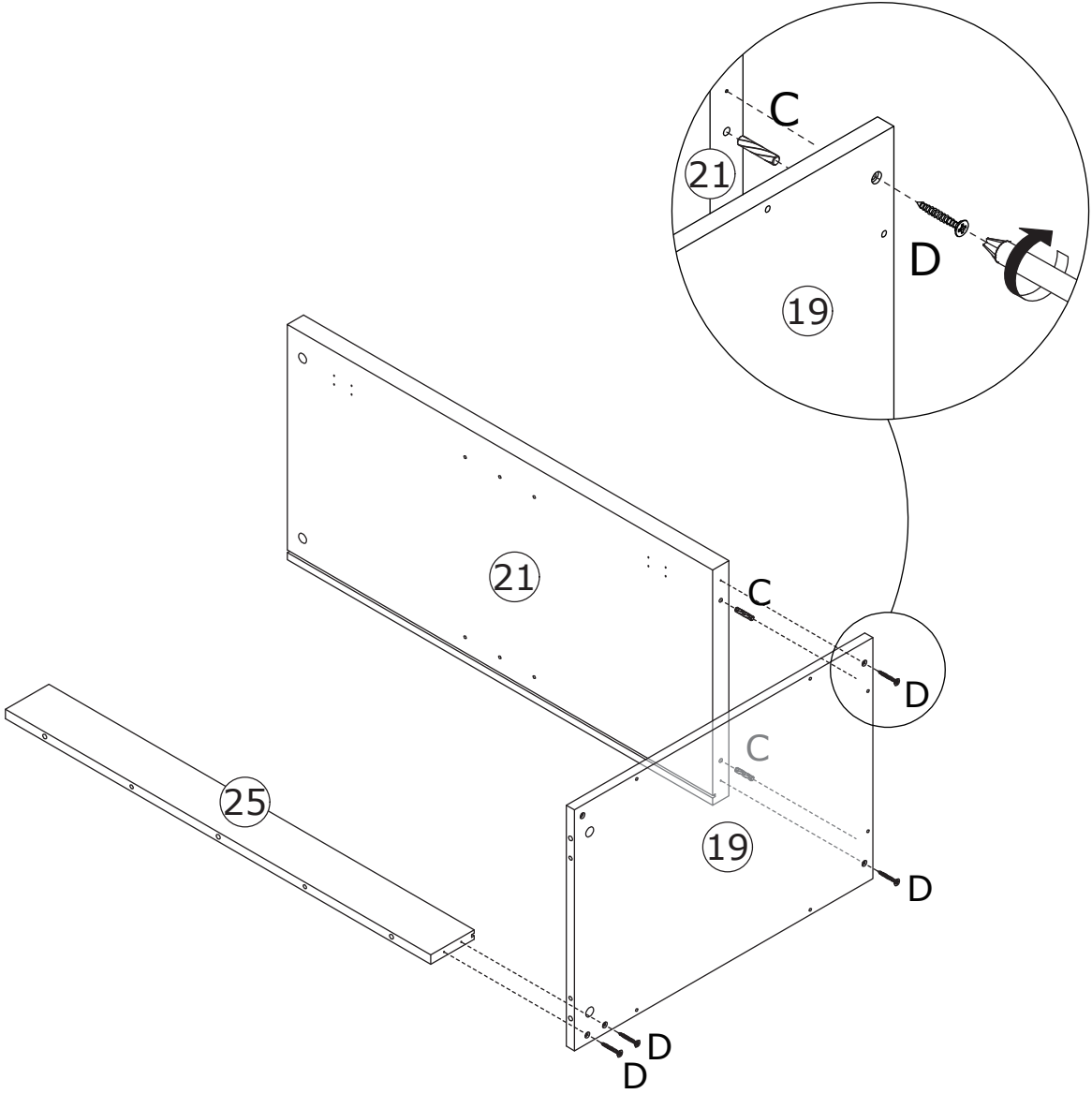
Connect panel 17 to panels 10 and 12 using dowels (C), then secure with screws (D).



19



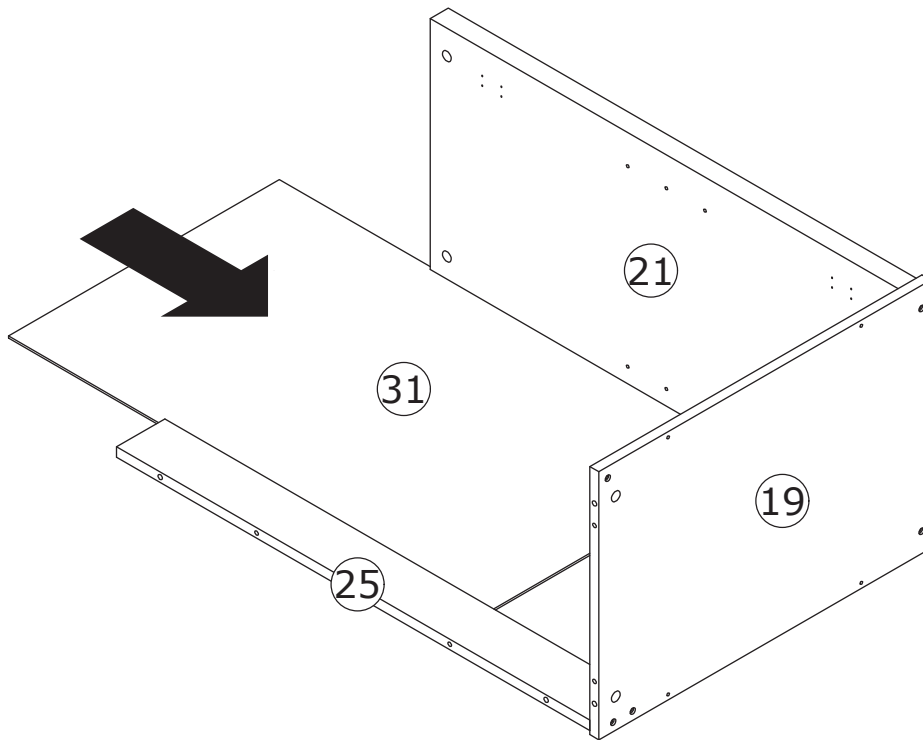
Connect panel 19 to panels 21 and 25 using dowels (C), then secure with screws (D).






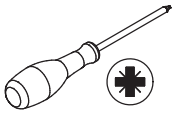
20

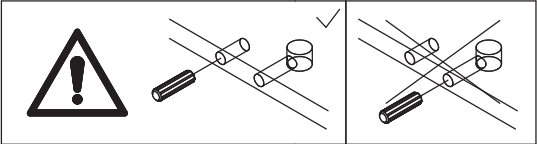
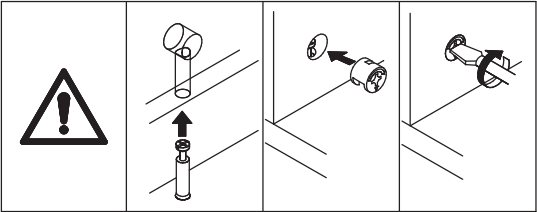


Slide panel 31 along the available grooves.

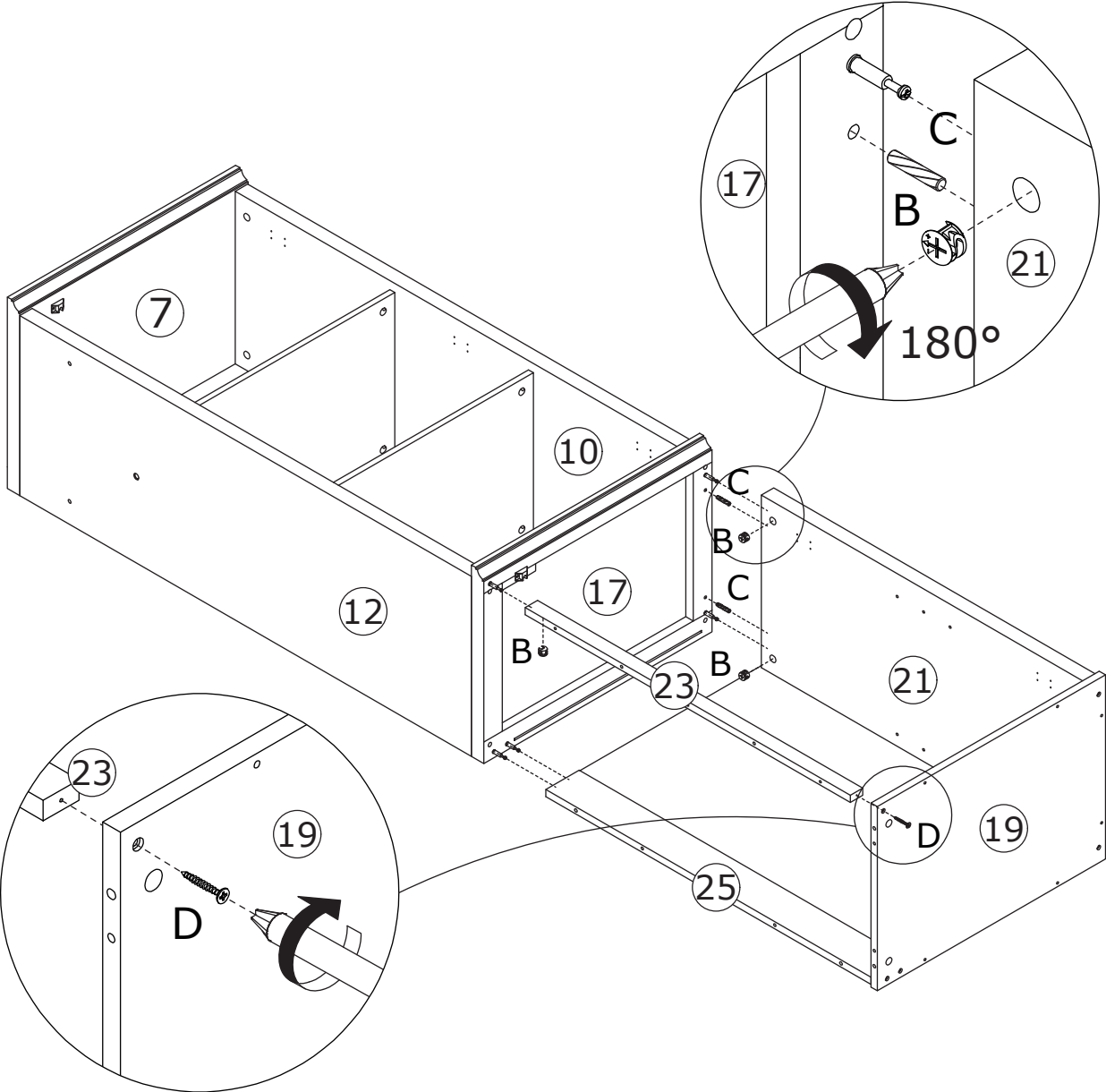


21

<p>B x 3</p>  <p>Ø15 x 9 mm</p>	<p>C x 2</p>  <p>Ø6 x 30 mm</p>	<p>D x 1</p>  <p>Ø4 x 35 mm</p>	
------------------------------------------------------------------------------------------------------------------	------------------------------------------------------------------------------------------------------------------	------------------------------------------------------------------------------------------------------------------	-------------------------------------------------------------------------------------

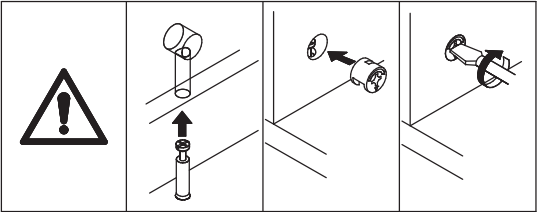
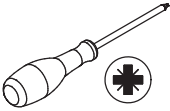


Connect the two assembled components using dowels (C), then tighten by turning eccentric cam (B) clockwise. Secure panel 19 to panel 23 together using screw (D).

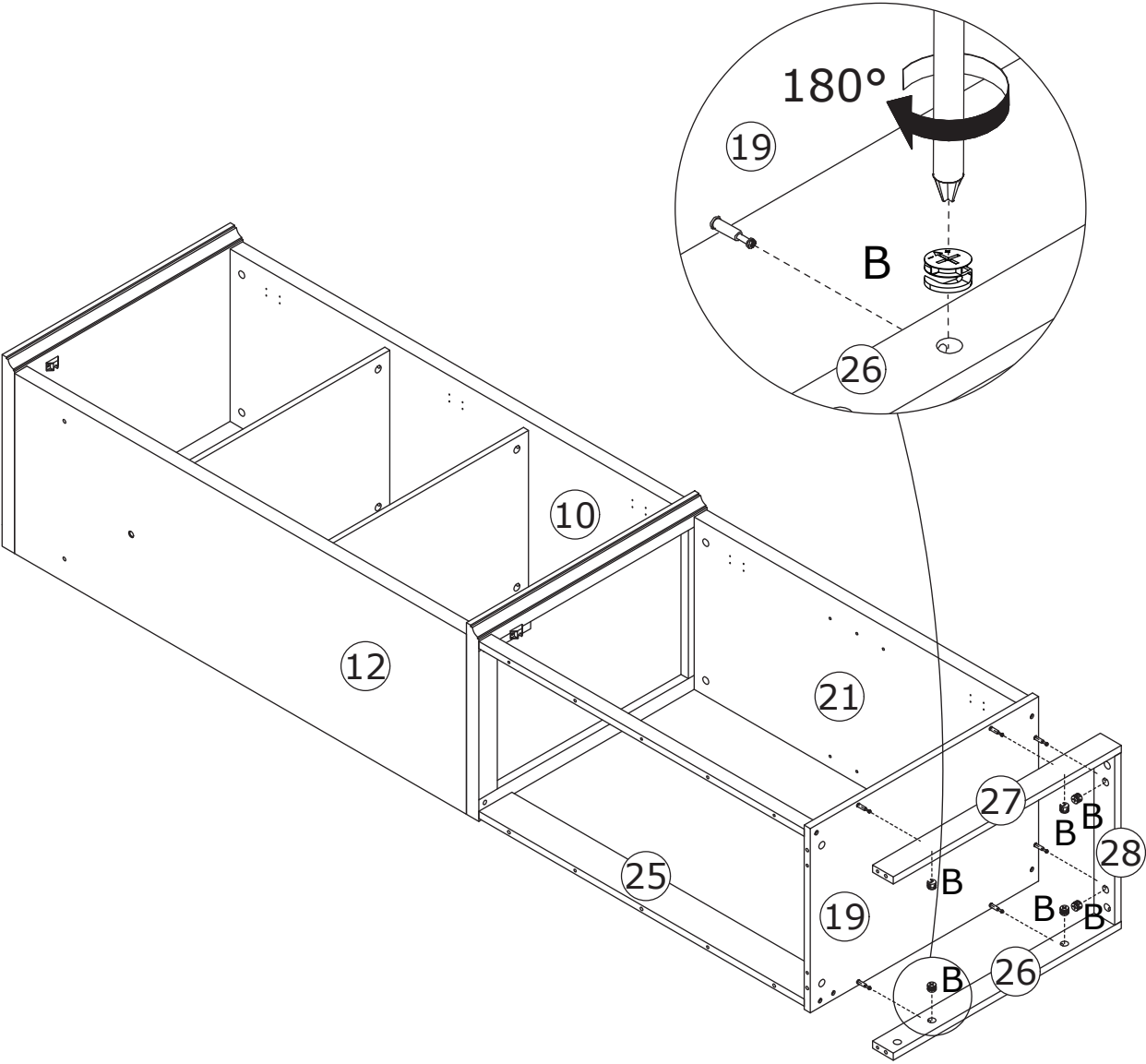


22

B x 6
Ø15 x 9 mm

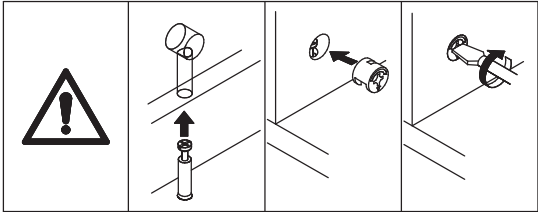
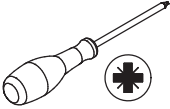


Connect panels 26, 27, and 28 to panel 19, then tighten by turning eccentric cam (B) clockwise.

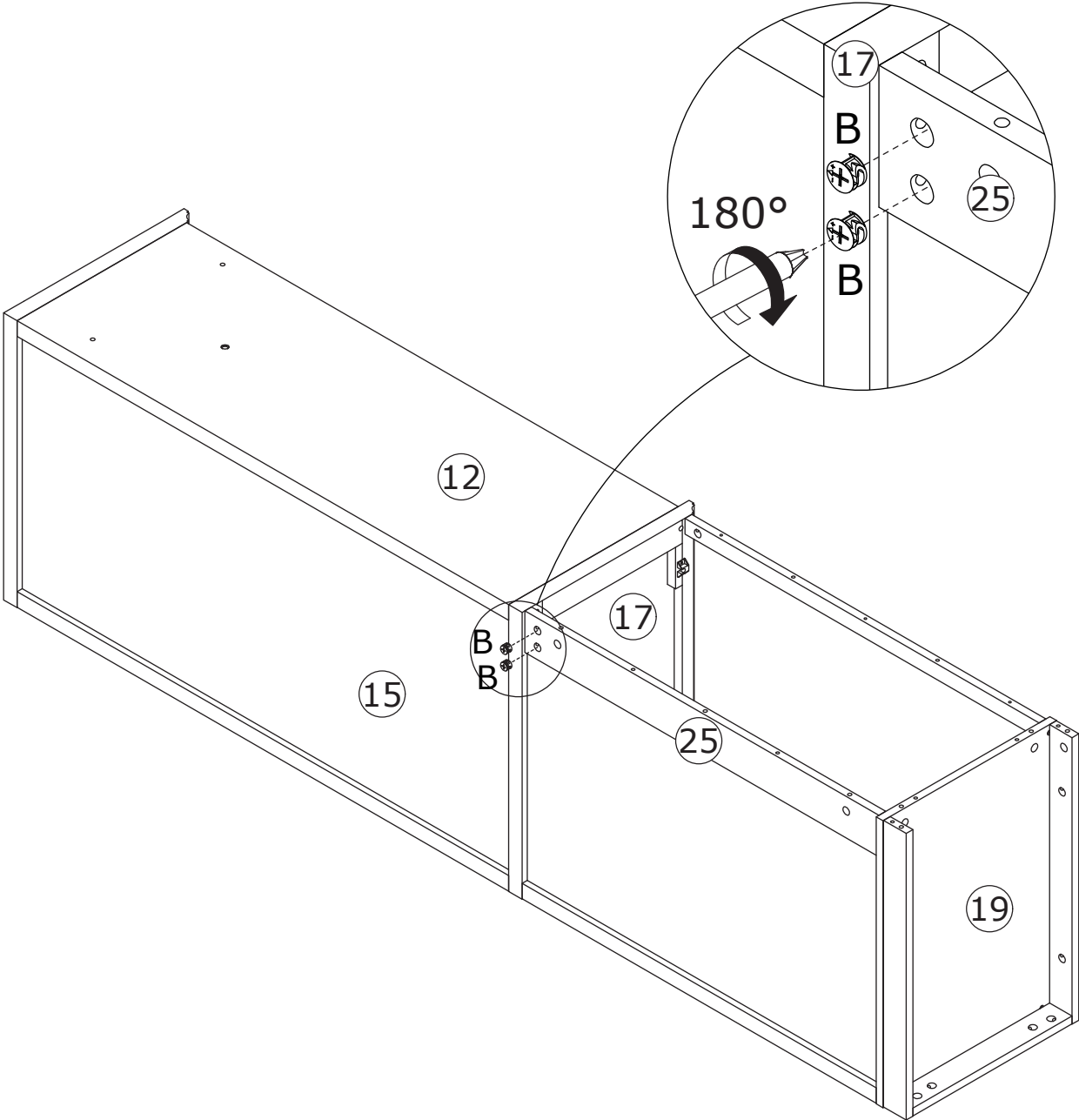


23





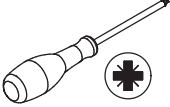
B x 2
Ø15 x 9 mm



Lift the unit up, put eccentric cam (B) into panel 25, then tighten by turning clockwise.

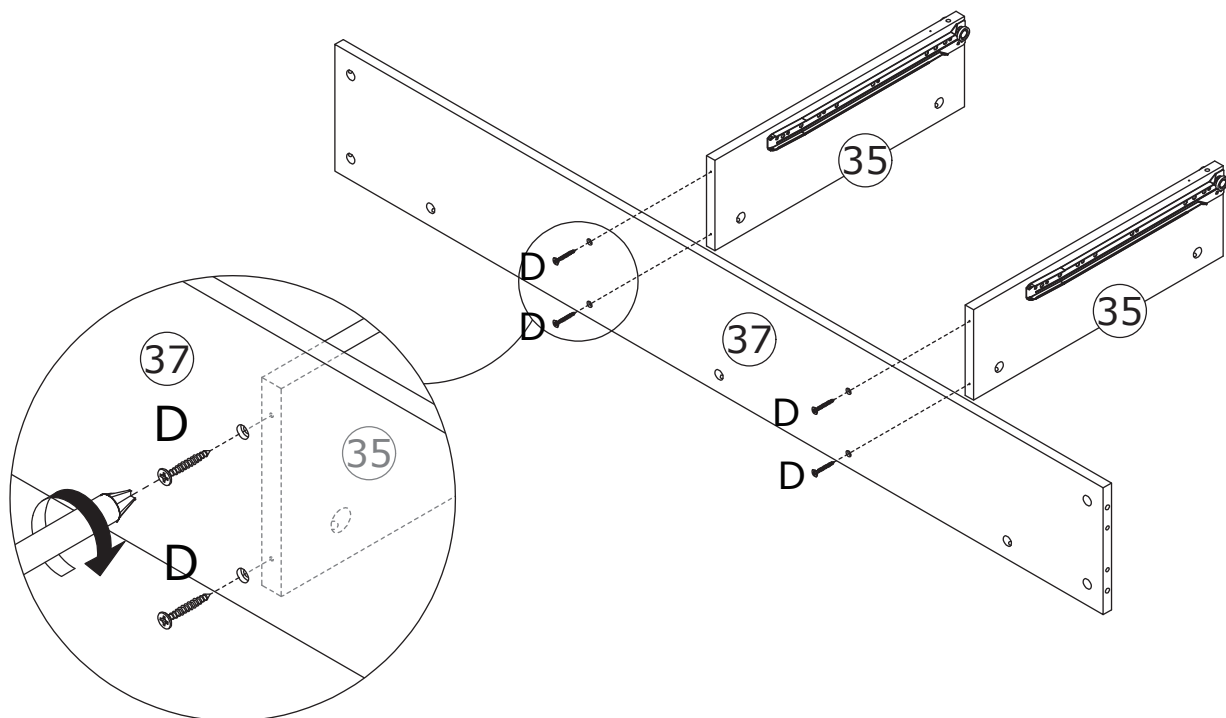
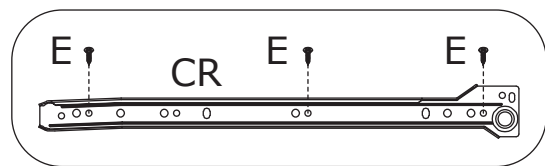
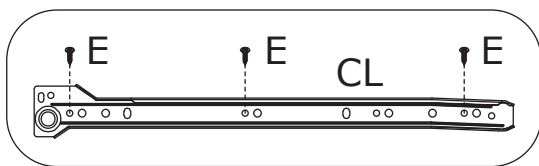
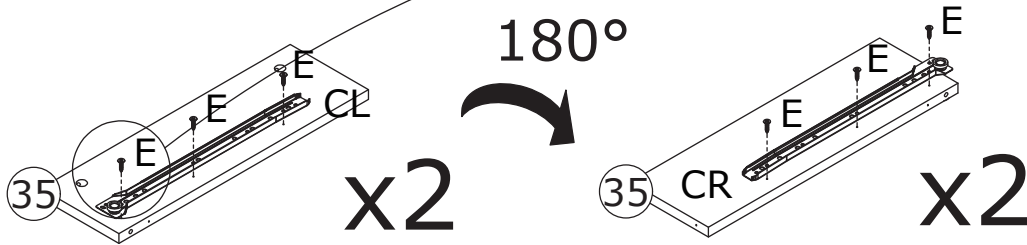
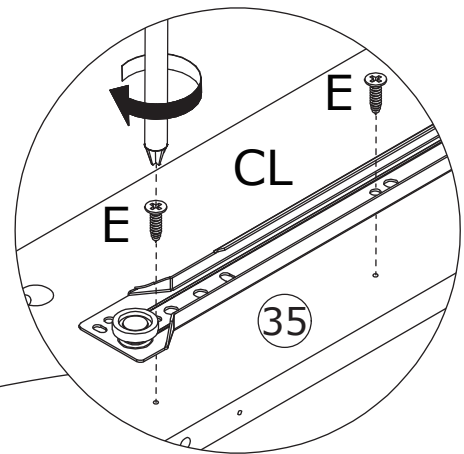


24

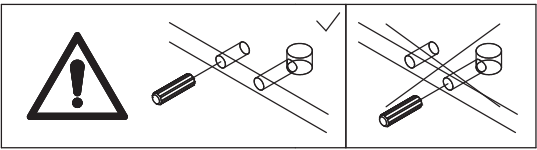
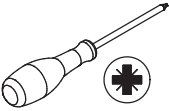
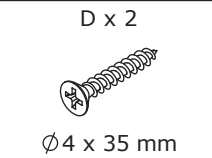
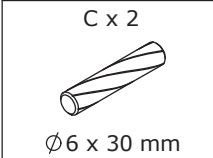
<p>D x 4</p>  <p>Ø4 x 35 mm</p>	<p>E x 12</p>  <p>Ø3 x 12 mm</p>	<p>CL x 2</p>  <p>350 mm</p>	<p>CR x 2</p>  <p>350 mm</p>	
------------------------------------------------------------------------------------------------------------------	-------------------------------------------------------------------------------------------------------------------	---------------------------------------------------------------------------------------------------------------	----------------------------------------------------------------------------------------------------------------	-------------------------------------------------------------------------------------

Secure the slide rail (CL) to panel 35 using screws (E). **Then flip it over** and secure the slide rail (CR) to the other side.

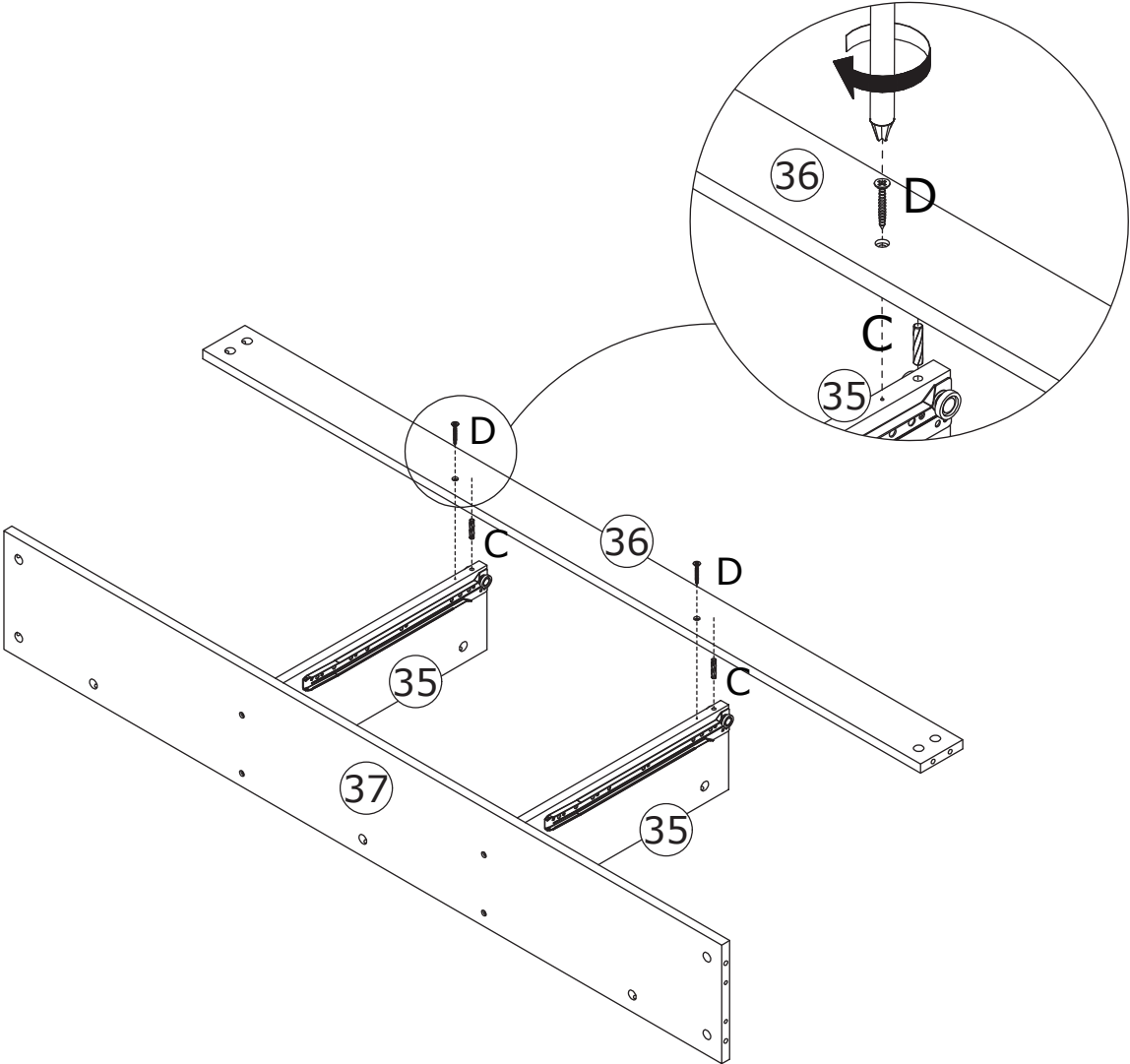
Secure panels 35 and 37 together using screws (D).



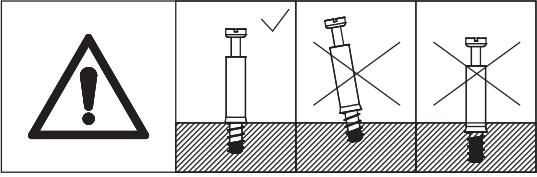
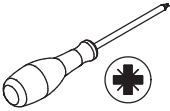
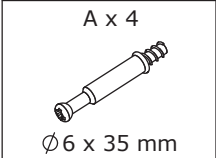
25



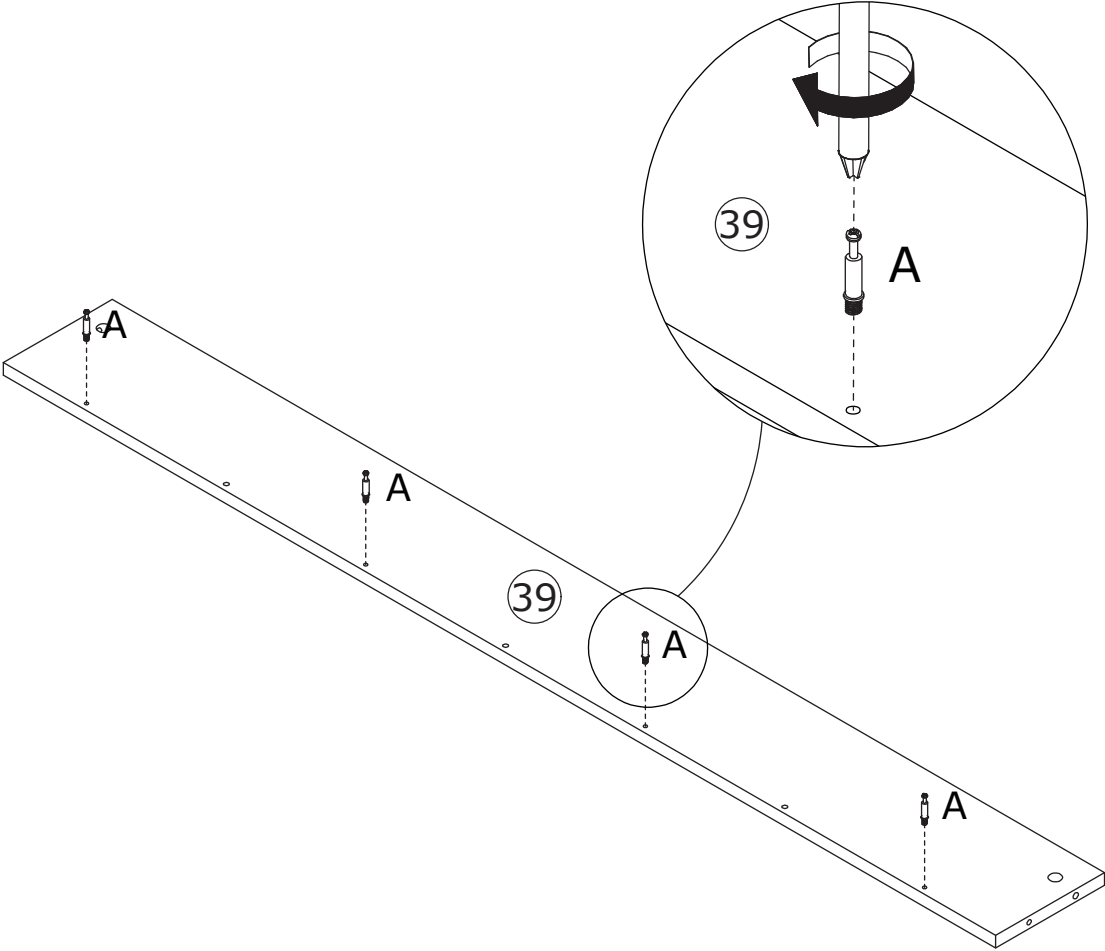
Connect panel 36 to panel 35 using dowels (C), then secure with screws (D).



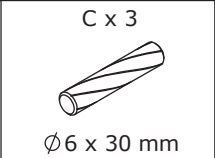
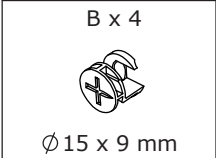
26



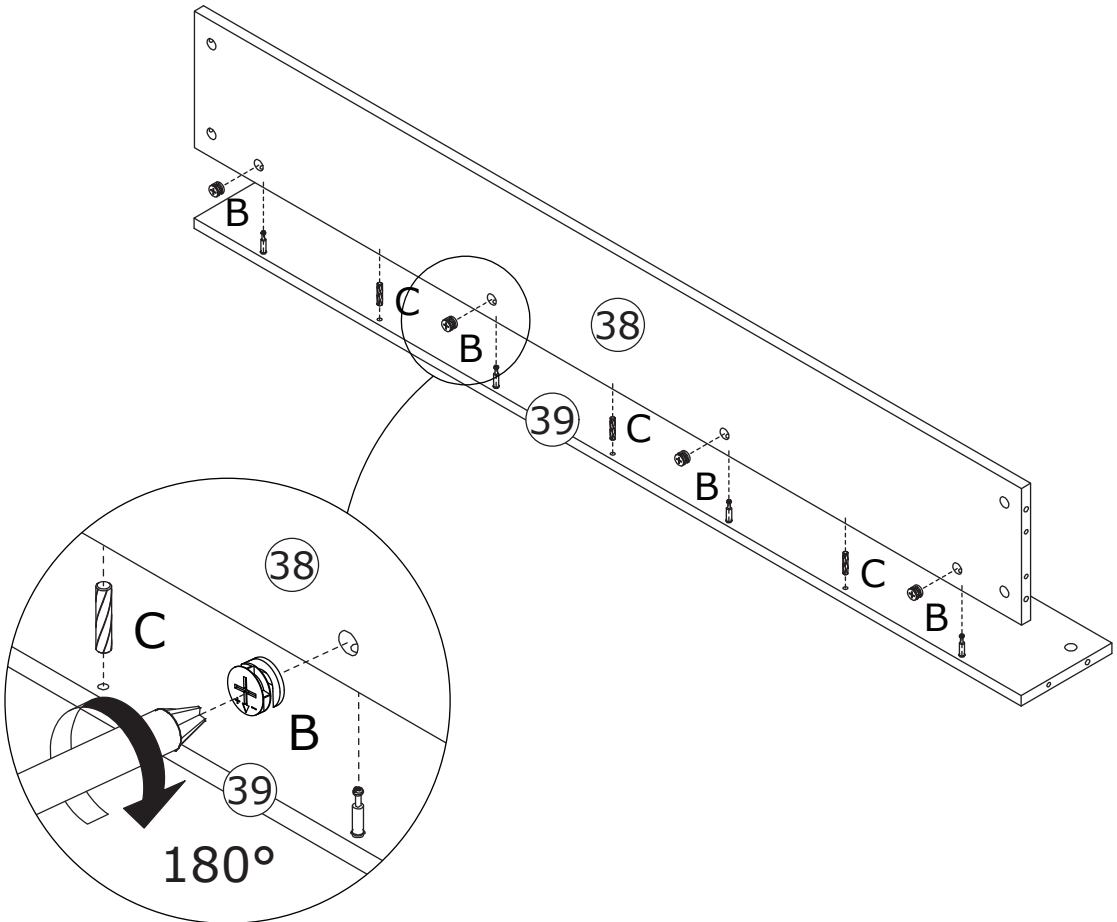
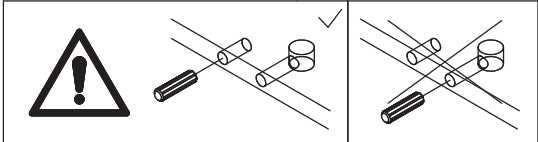
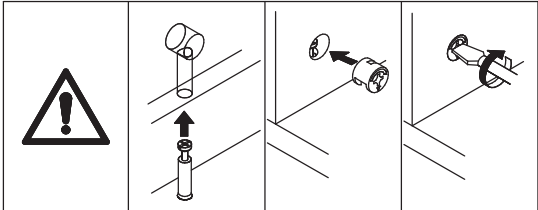
Screw eccentric rod (A) onto panel 39.



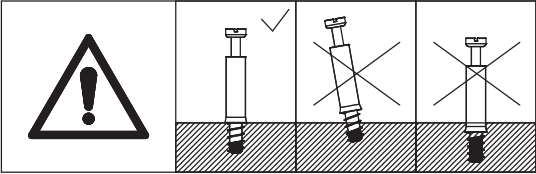
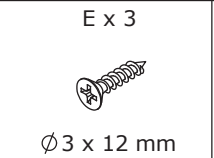
27



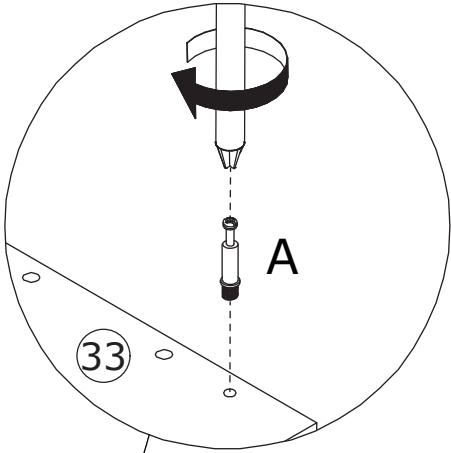
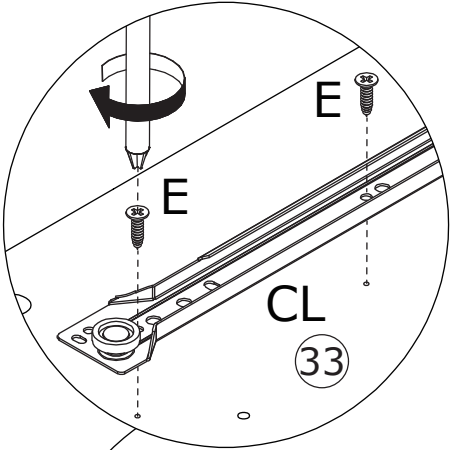
Connect panel 38 to panel 39 using dowels (C), then tighten by turning eccentric cam (B) clockwise.



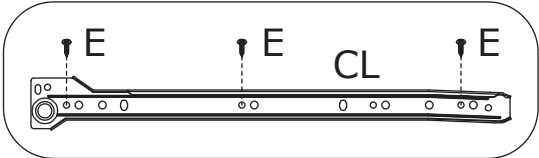
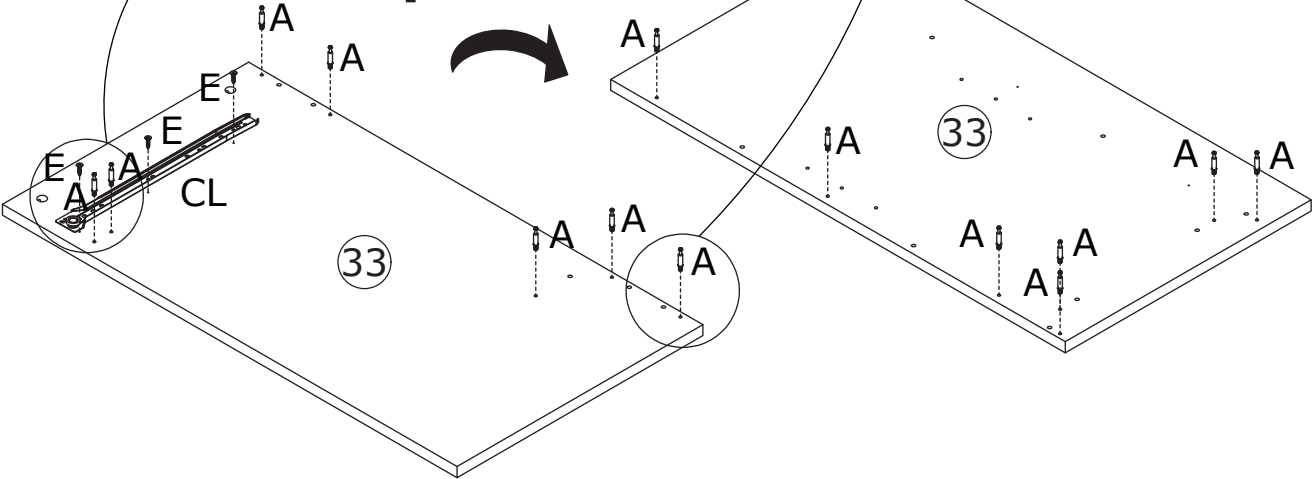
28



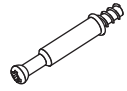


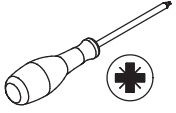
Secure slide rail (CL) to panel 33 using screws (E).
Screw eccentric rod (A) onto panel 33.

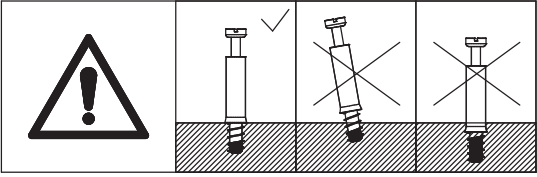


Flip to back

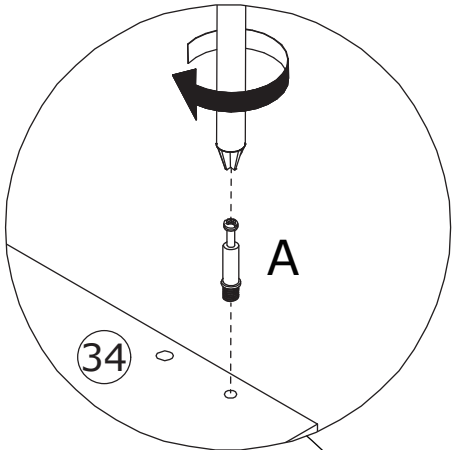
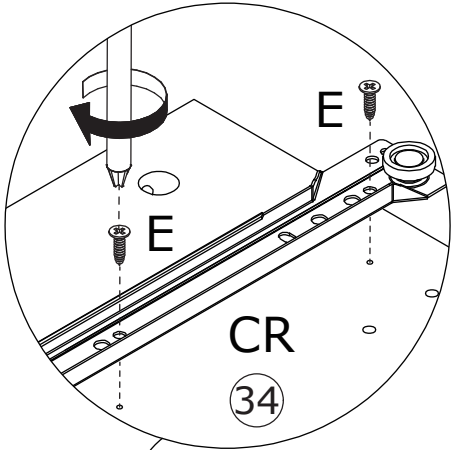


29

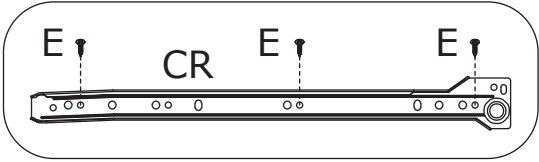
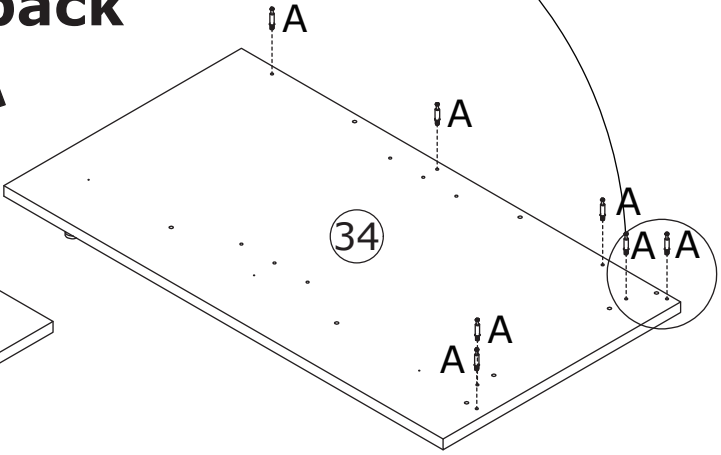
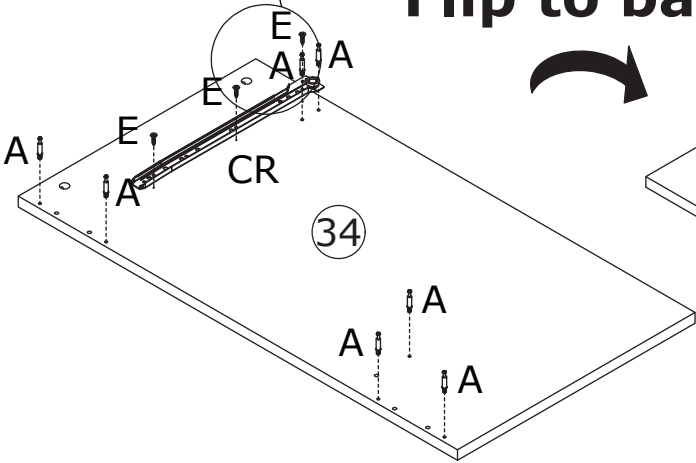
<p>A x 14 Ø6 x 35 mm</p> 	<p>E x 3 Ø3 x 12 mm</p> 	<p>CR x 1 350 mm</p> 	
----------------------------------------------------------------------------------------------------------------	---------------------------------------------------------------------------------------------------------------	------------------------------------------------------------------------------------------------------------	-------------------------------------------------------------------------------------



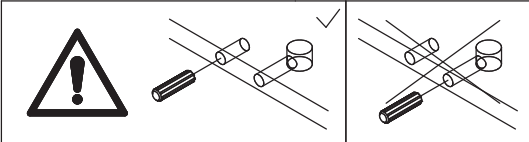
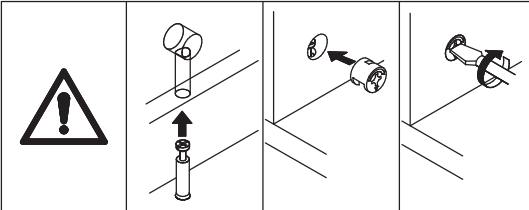
Secure slide rail (CR) to panel 34 using screws (E).
Screw eccentric rod (A) onto panel 34.



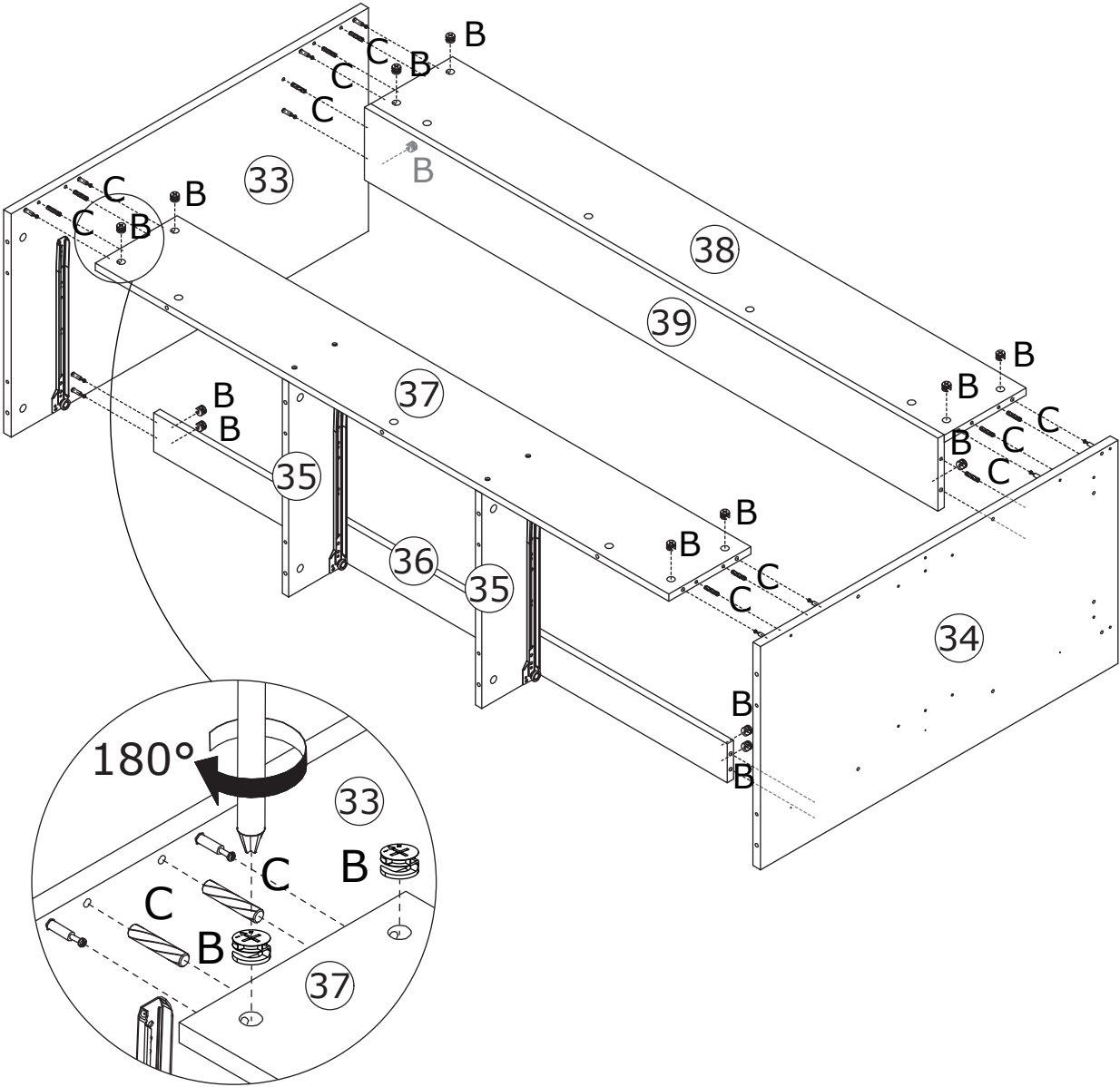
Flip to back



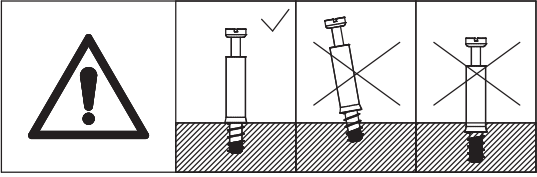
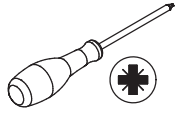
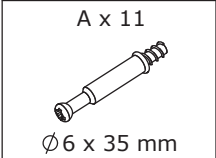
30



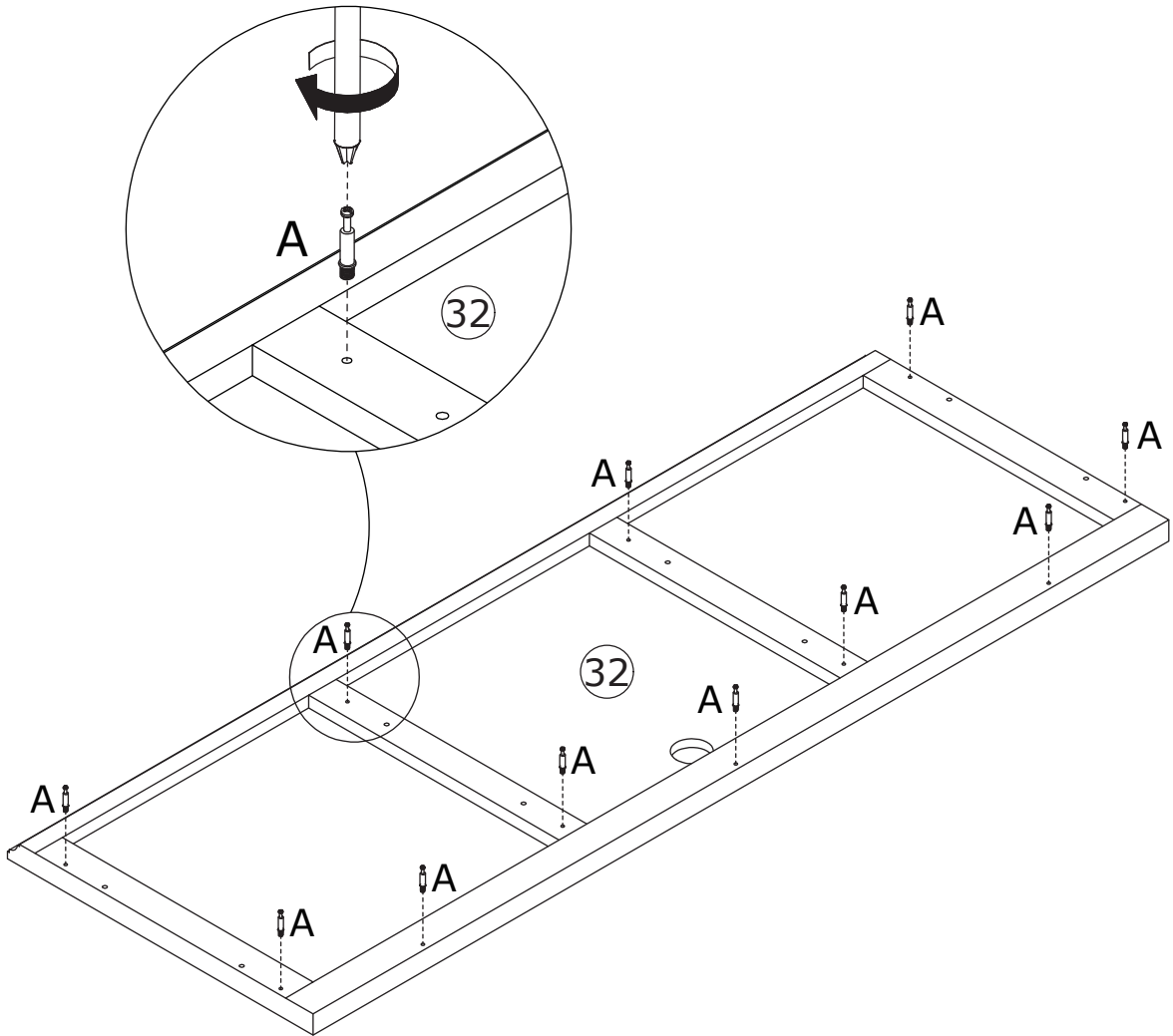
Connect panels 33 and 34 to panels 38, 39, 37, and 36 using dowels (C), then tighten by turning eccentric cam (B) clockwise.



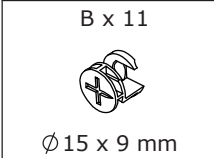
31



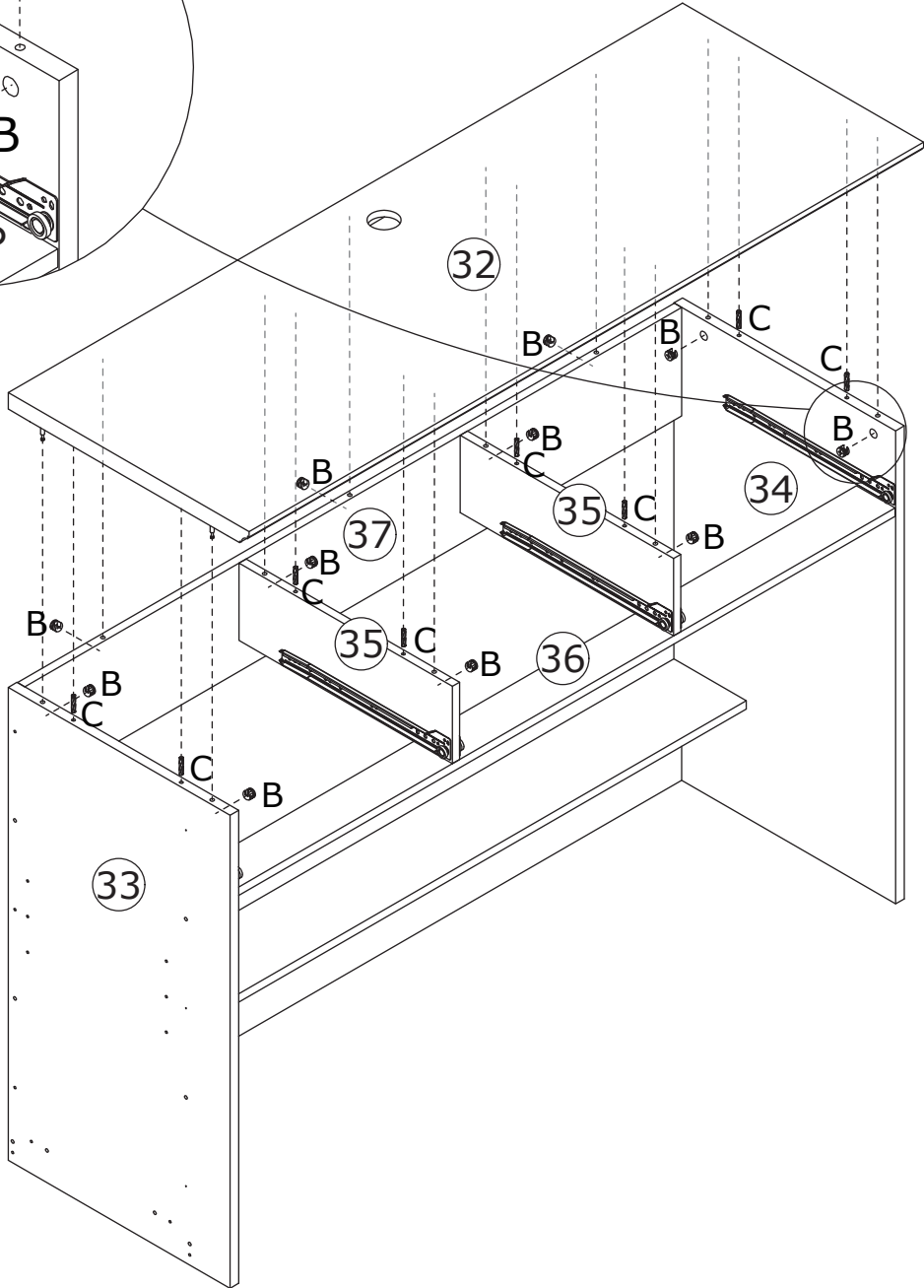
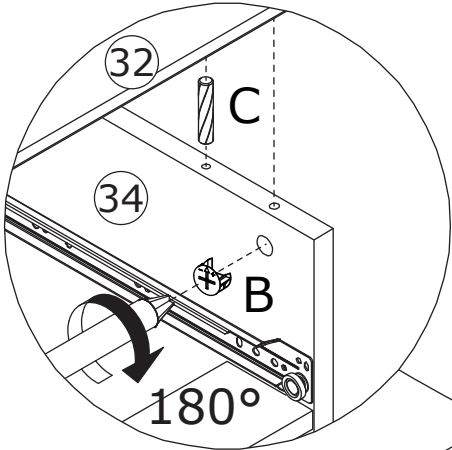
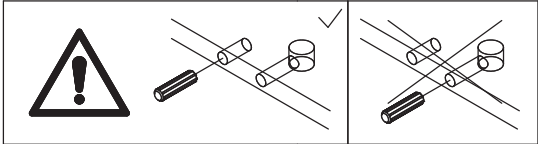
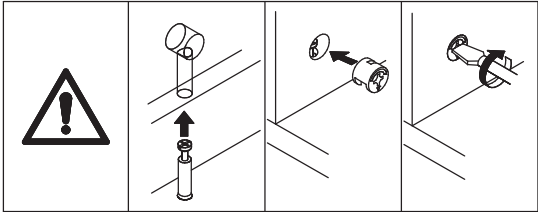
Screw eccentric rod (A) onto panel 32.



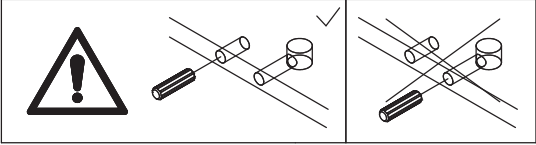
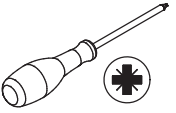
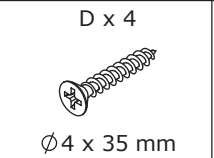
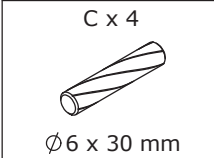
32



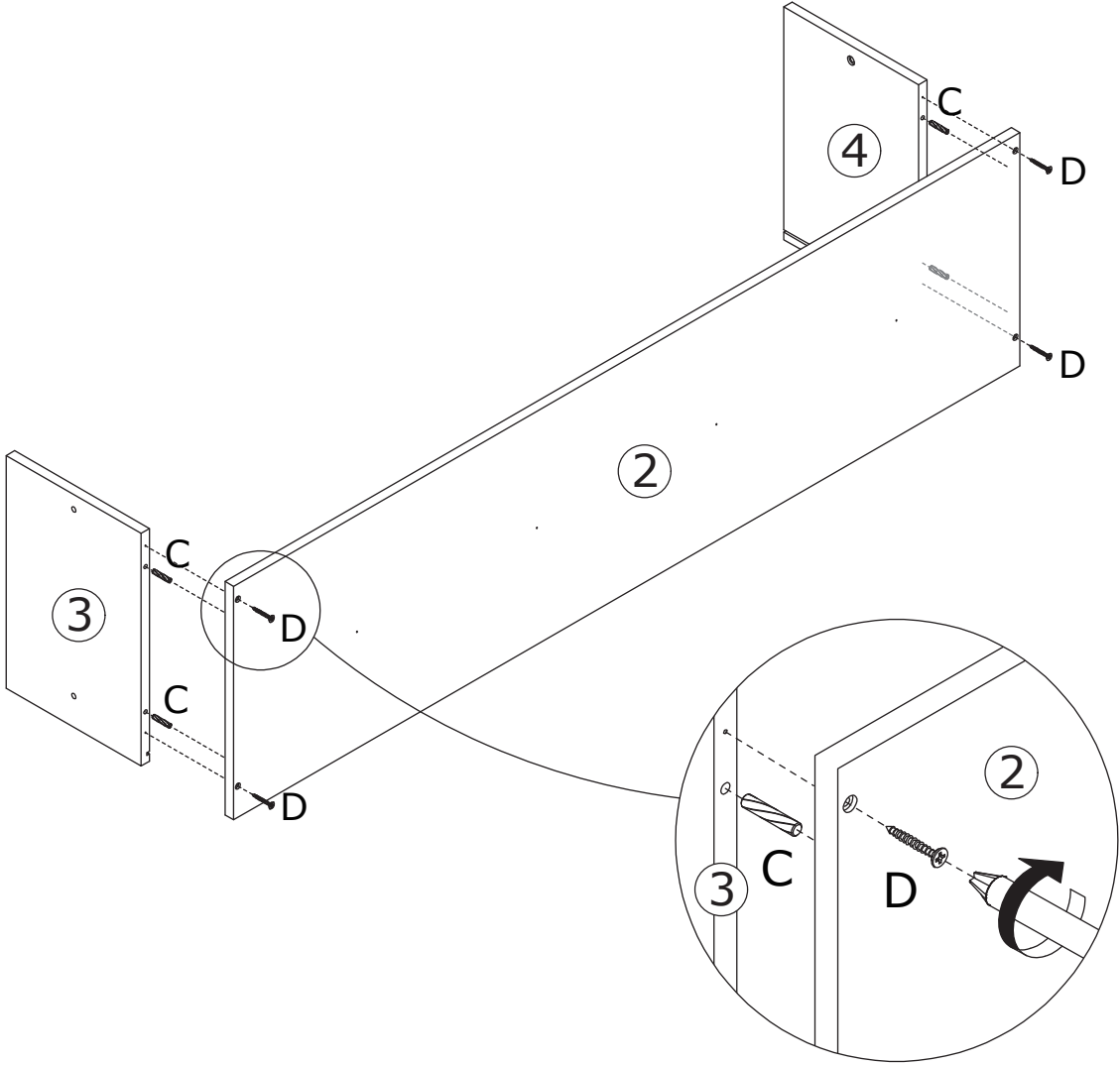
Connect panel 32 to the assembled component using dowels (C), then tighten by turning eccentric cam (B) clockwise.



33

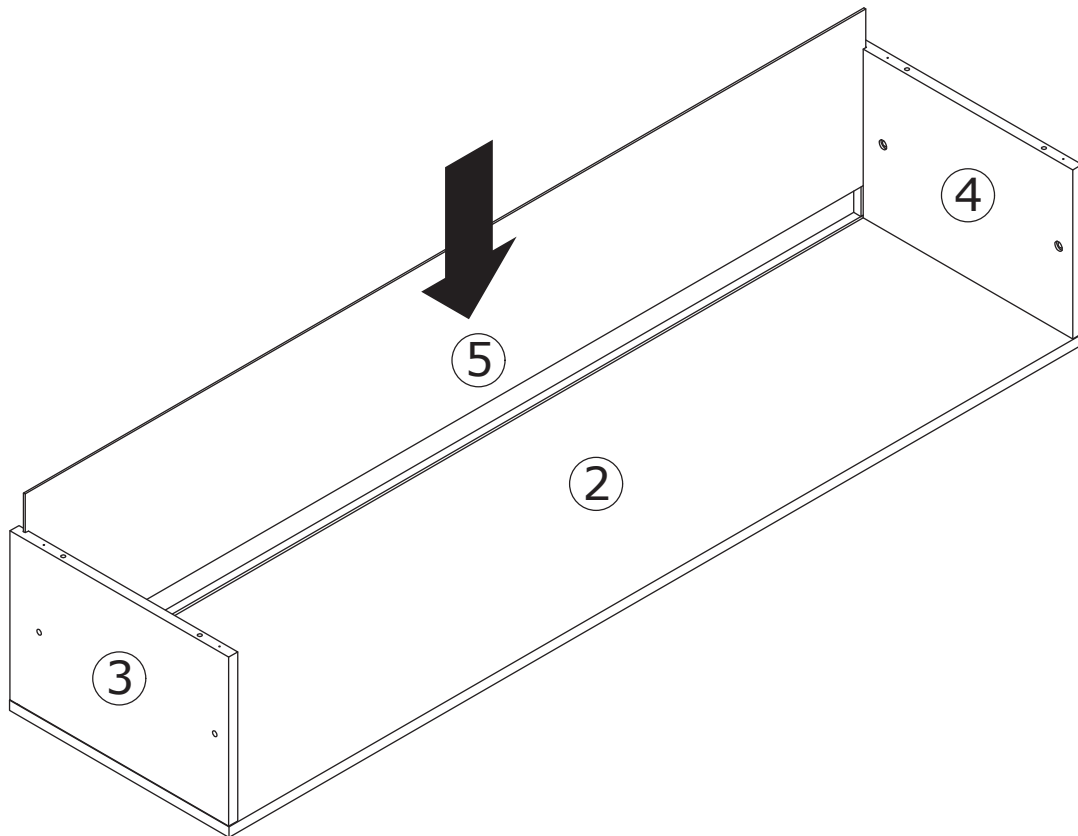


Connect panels 3 and 4 to panel 2 using dowels (C), then secure with screws (D).

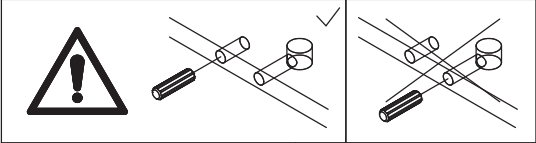
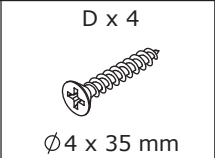
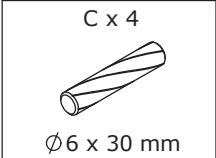


34

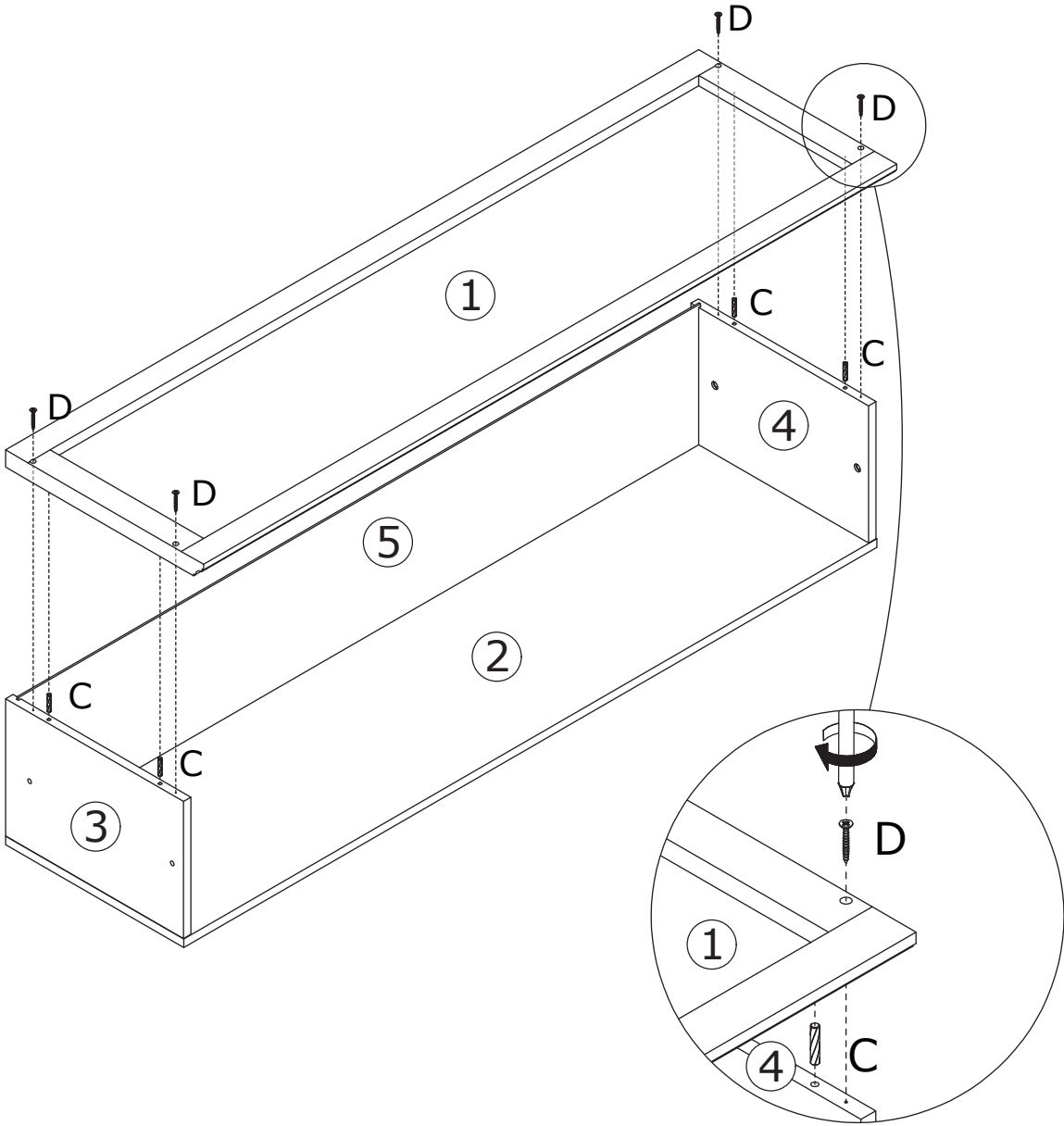
Slide panel 5 along the available grooves.



35

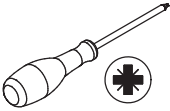


Connect panels 3 and 4 to panel 1 using dowels (C), then secure with screws (D).

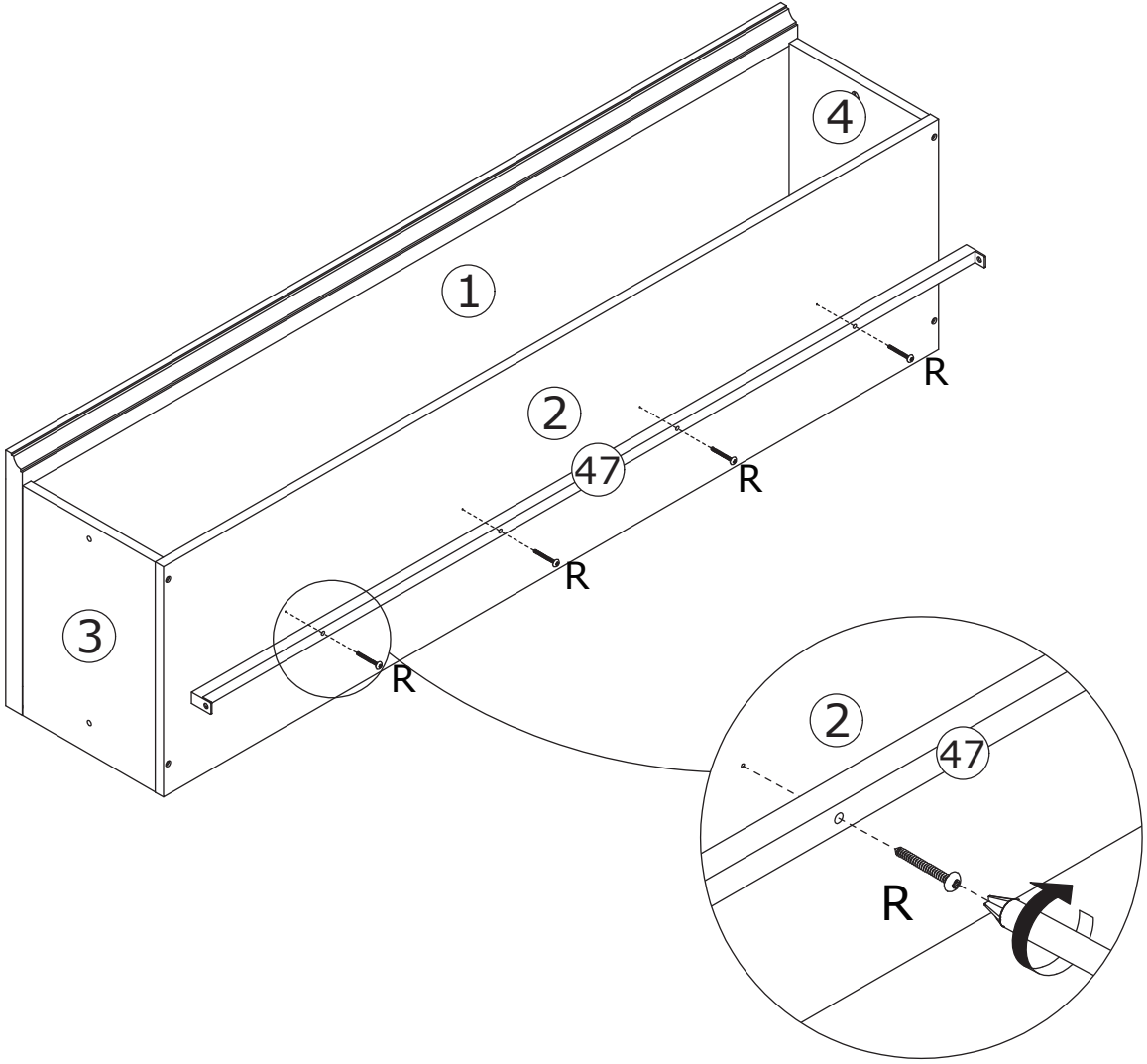


36




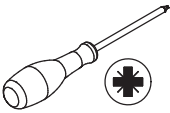
R x 4
Ø4 x 30 mm



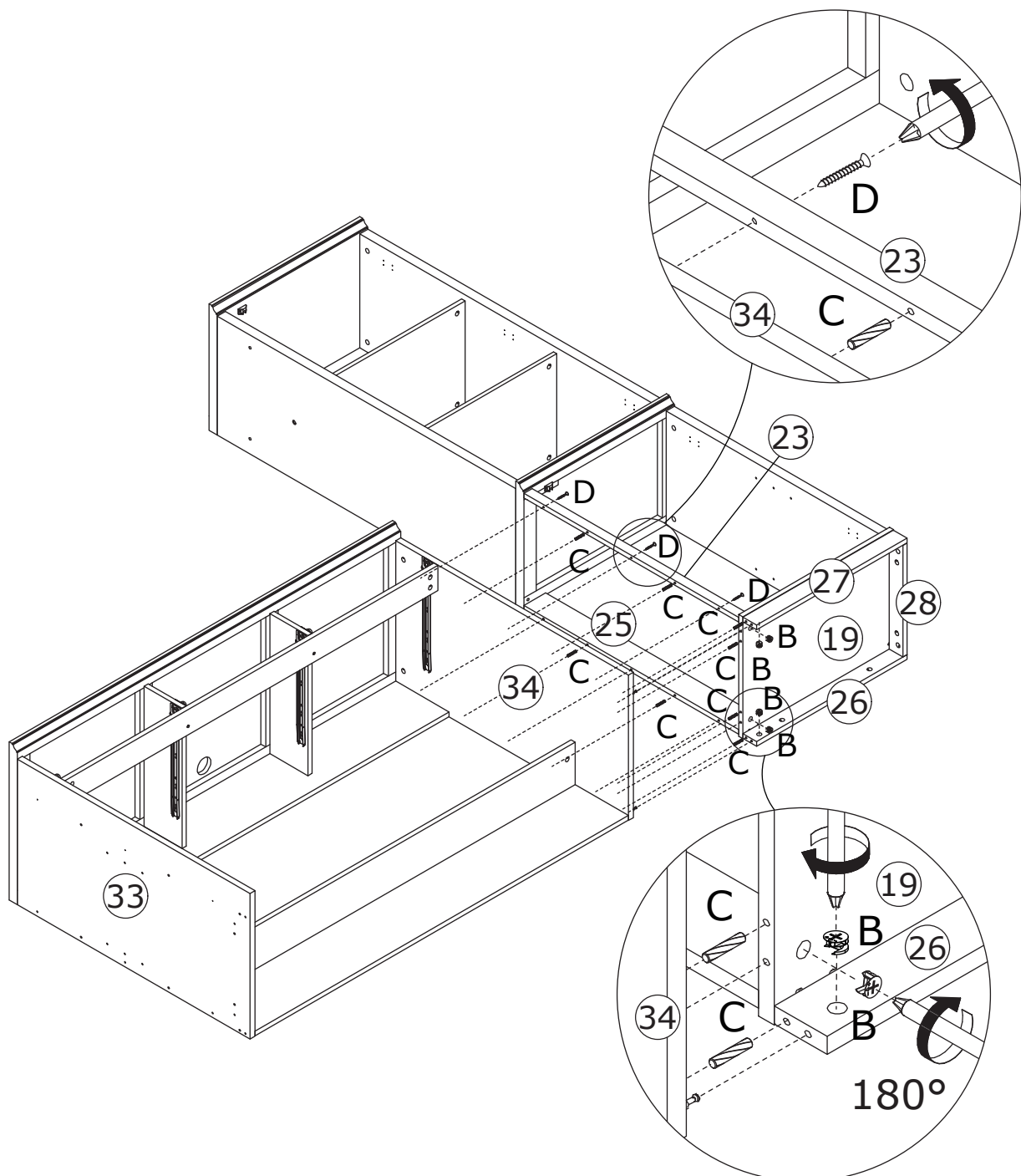
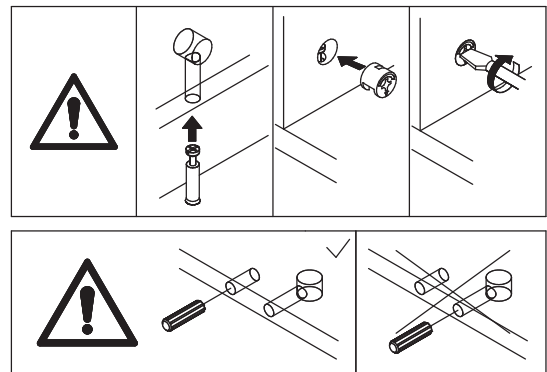
Secure metal tube 47 to panel 2 using screws (R).




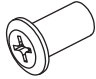
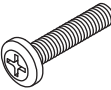
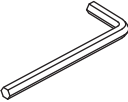
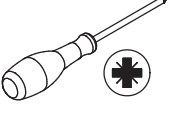
37

<p>B x 4</p>  <p>Ø15 x 9 mm</p>	<p>C x 8</p>  <p>Ø6 x 30 mm</p>	<p>D x 3</p>  <p>Ø4 x 35 mm</p>	
------------------------------------------------------------------------------------------------------------------	------------------------------------------------------------------------------------------------------------------	------------------------------------------------------------------------------------------------------------------	-------------------------------------------------------------------------------------

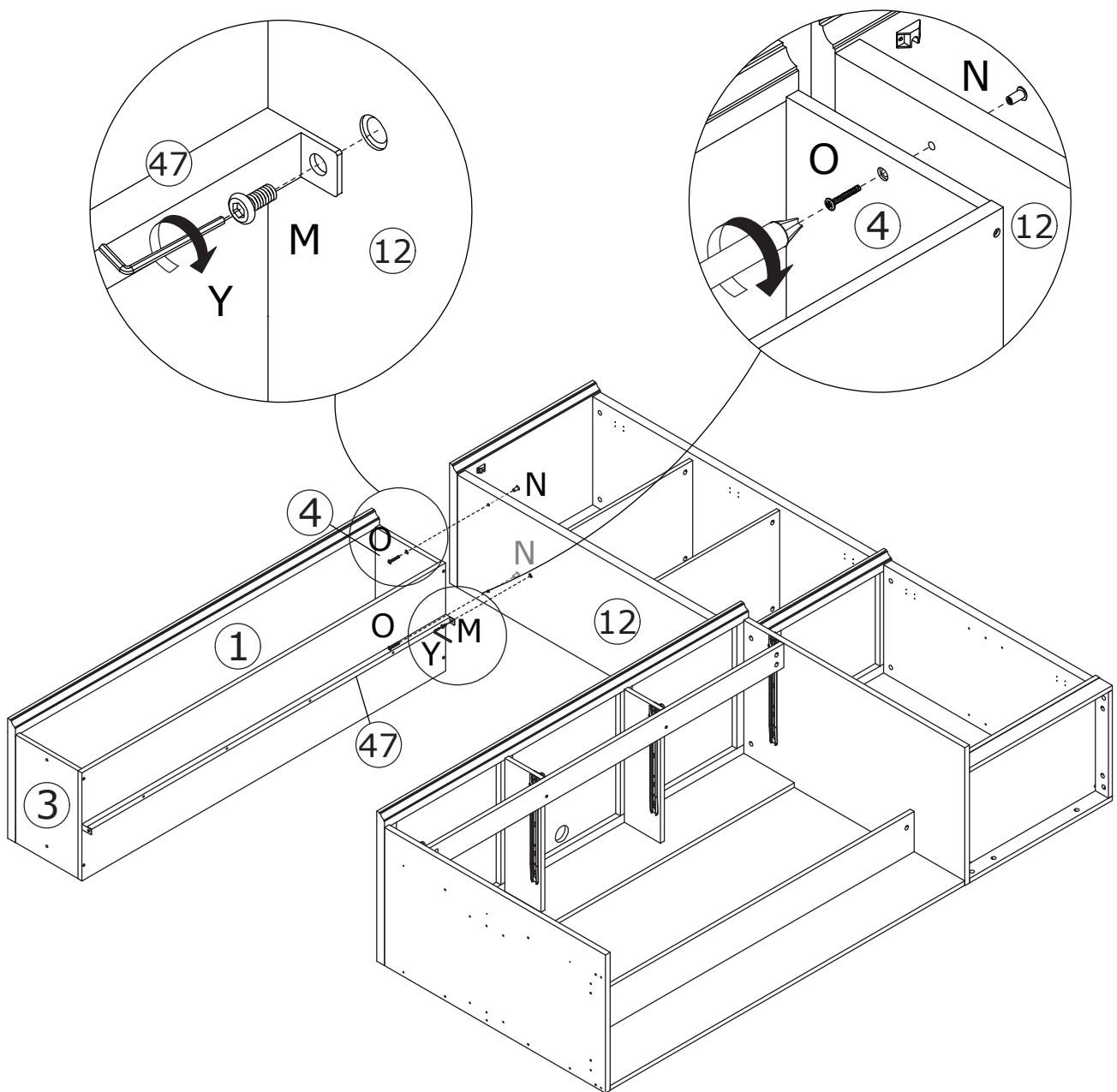
Connect panel 34 to the right component using dowels (C), then tighten by turning eccentric cam (B) clockwise. Finally, secure panels 23 and 34 firmly with screws (D).






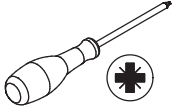
38

M x 1  Ø6 x 12 mm	N x 2  Ø6 x 20 mm	O x 2  Ø6 x 35 mm	Y x 1  M4 mm	
----------------------------------------------------------------------------------------------------------	----------------------------------------------------------------------------------------------------------	----------------------------------------------------------------------------------------------------------	------------------------------------------------------------------------------------------------------	-------------------------------------------------------------------------------------

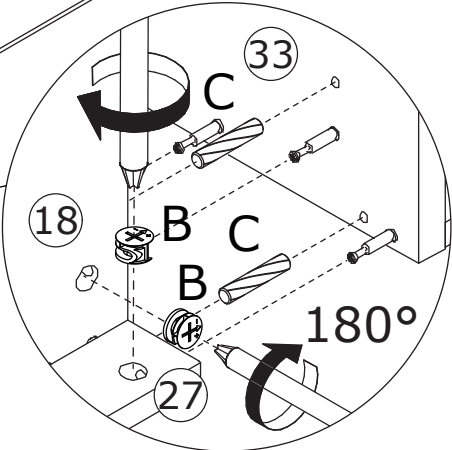
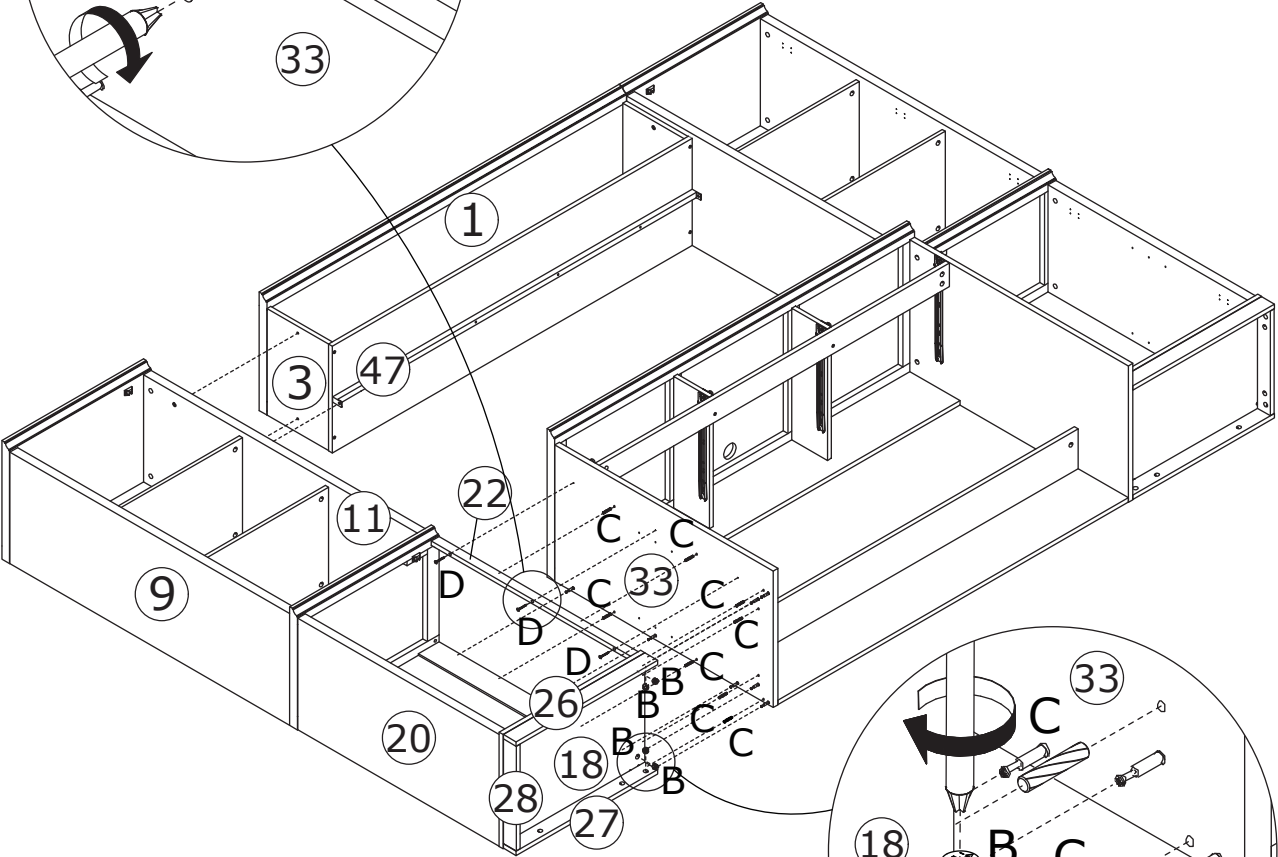
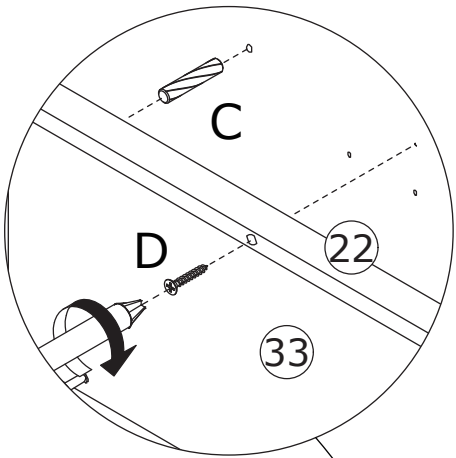
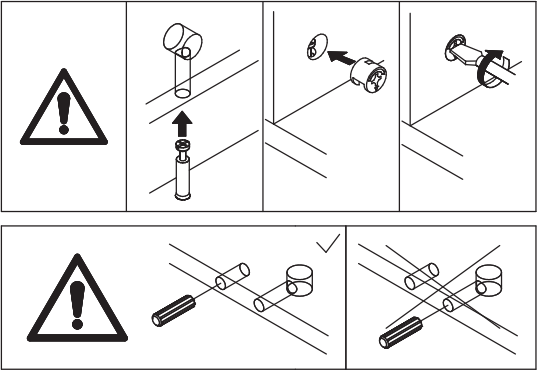
Secure panel 4 to panel 12 using bolts (O) and nuts (N).
Secure metal tube 47 to panel 12 using bolts (M) and nuts (N).




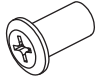
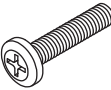

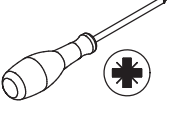
39

<p>B x 4</p>  <p>Ø15 x 9 mm</p>	<p>C x 8</p>  <p>Ø6 x 30 mm</p>	<p>D x 3</p>  <p>Ø4 x 35 mm</p>	
------------------------------------------------------------------------------------------------------------------	------------------------------------------------------------------------------------------------------------------	------------------------------------------------------------------------------------------------------------------	-------------------------------------------------------------------------------------

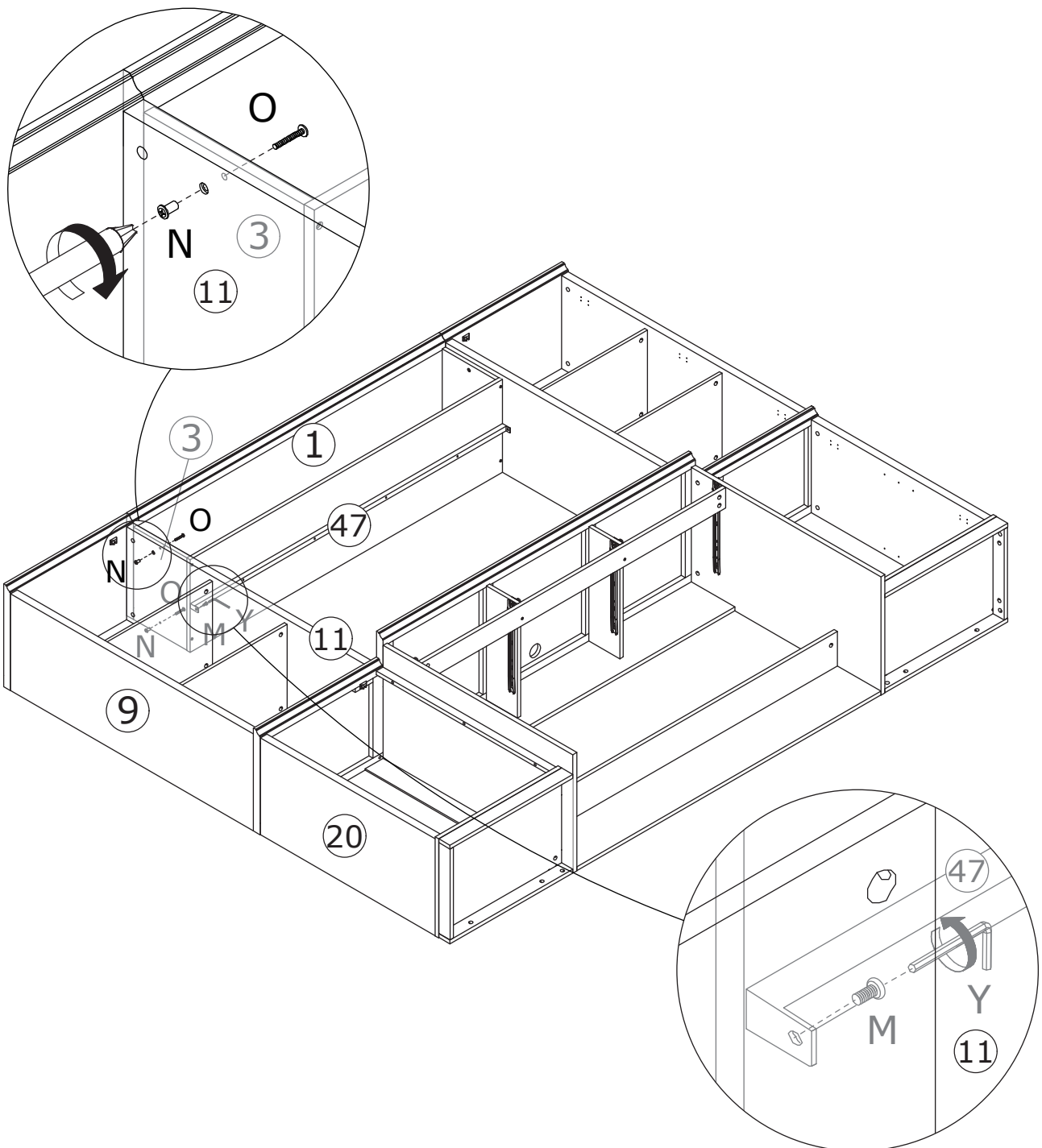
Connect panel 33 to the left component using dowels (C), then tighten by turning eccentric cam (B) clockwise. Finally, secure panels 22 and 33 firmly with screws (D).



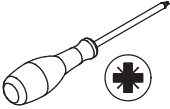
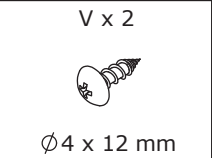
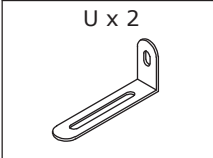
40

M x 1  Ø6 x 12 mm	N x 2  Ø6 x 20 mm	O x 2  Ø6 x 35 mm	Y x 1  M4 mm	
----------------------------------------------------------------------------------------------------------	----------------------------------------------------------------------------------------------------------	----------------------------------------------------------------------------------------------------------	------------------------------------------------------------------------------------------------------	-------------------------------------------------------------------------------------

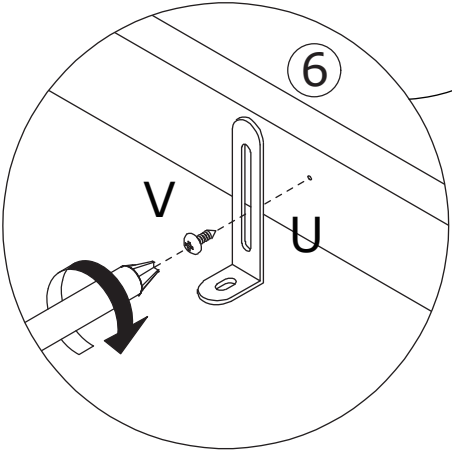
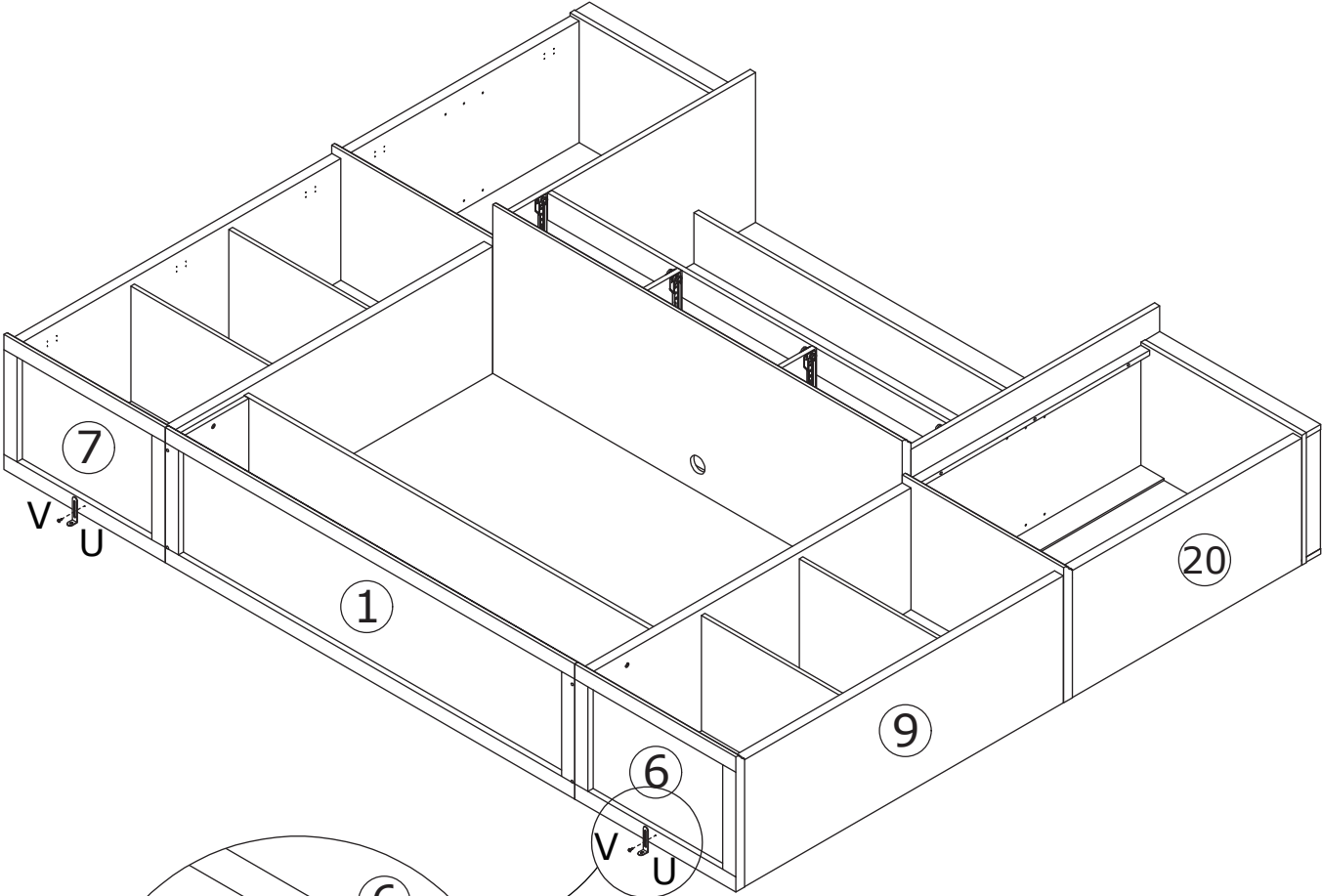
Secure panel 3 to panel 11 using bolts (O) and nuts (N).
Secure metal tube 47 to panel 11 using bolts (M) and nuts (N).



41



Secure bracket (U) to panels 6 and 7 using screws (V).

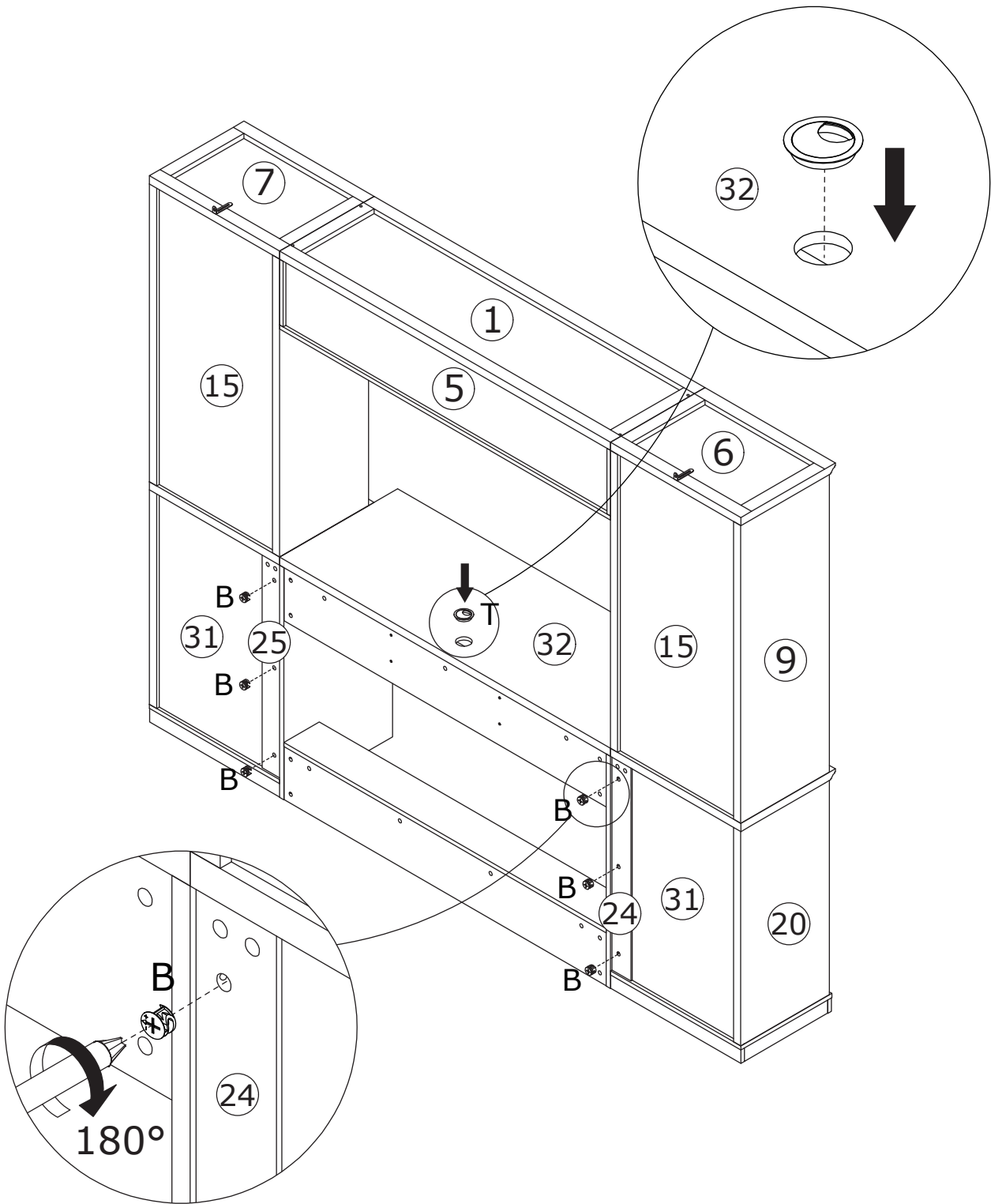
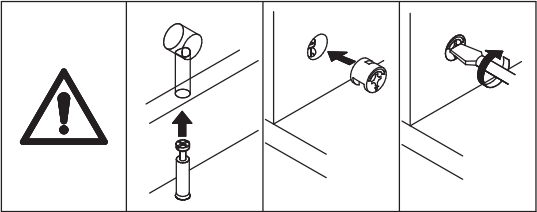


42


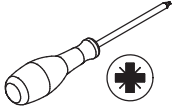


insert hole cover (T) into the corresponding holes.

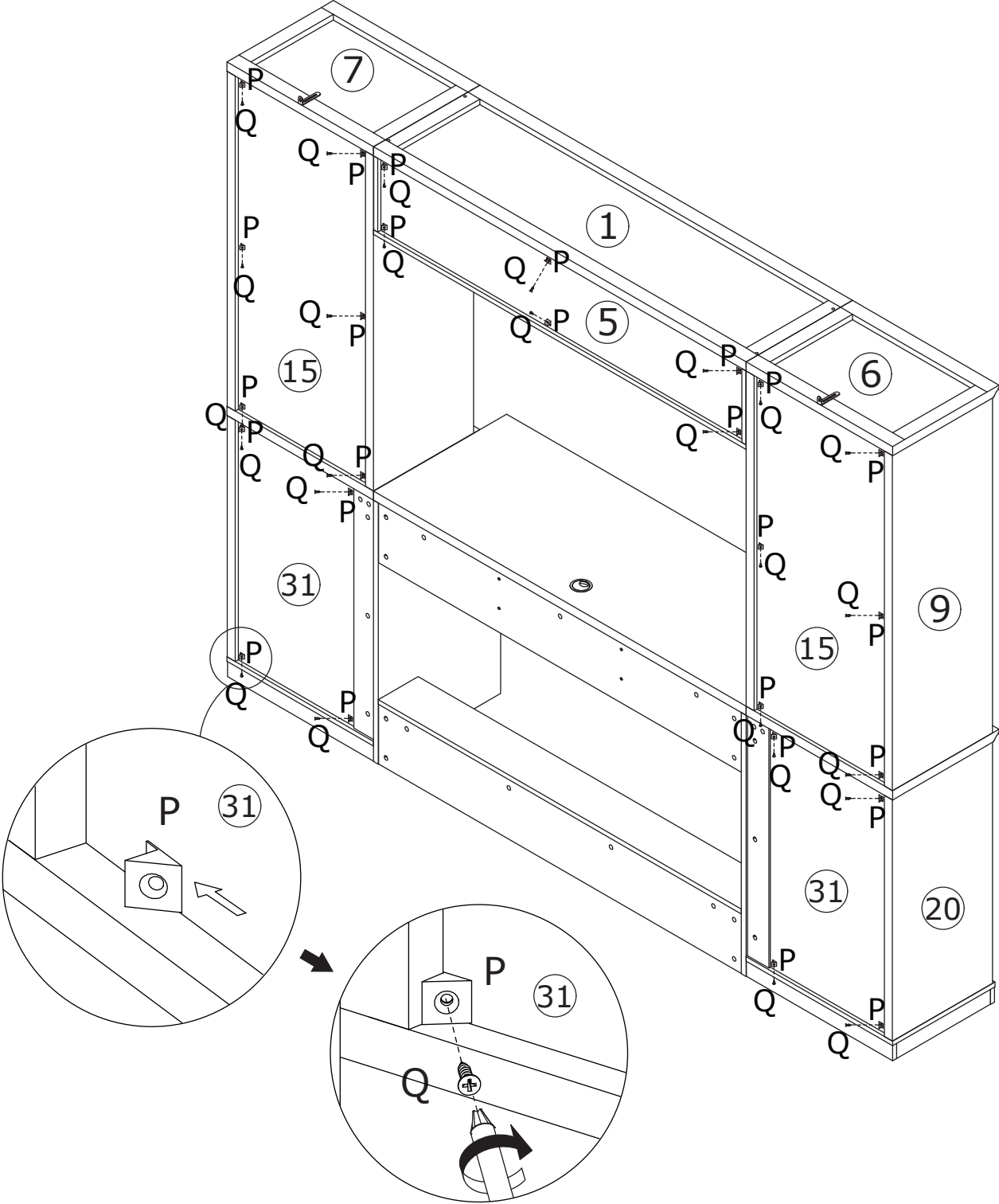
Put eccentric cam (B) into panels 24 and 25, then tighten by turning clockwise.



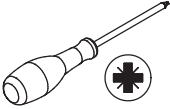
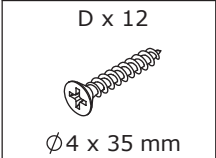
43

<p>P x 26</p> 	<p>Q x 26</p>  <p>Ø3 x 14 mm</p>	
-------------------------------------------------------------------------------------------------	-------------------------------------------------------------------------------------------------------------------	-------------------------------------------------------------------------------------

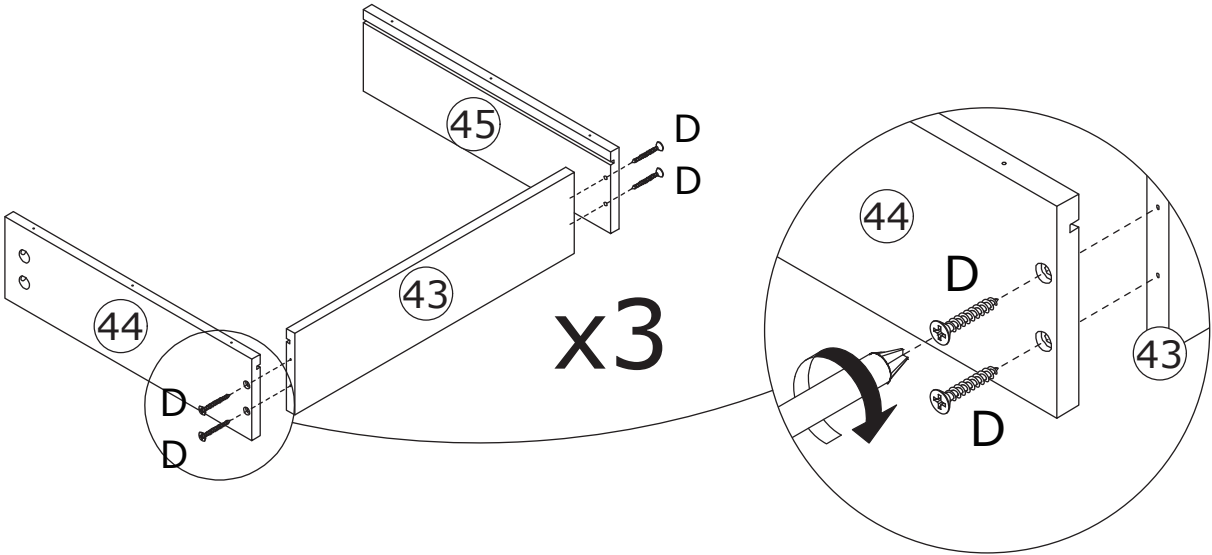
Insert clips (P) into the rear slots and secure them firmly with screws (Q).



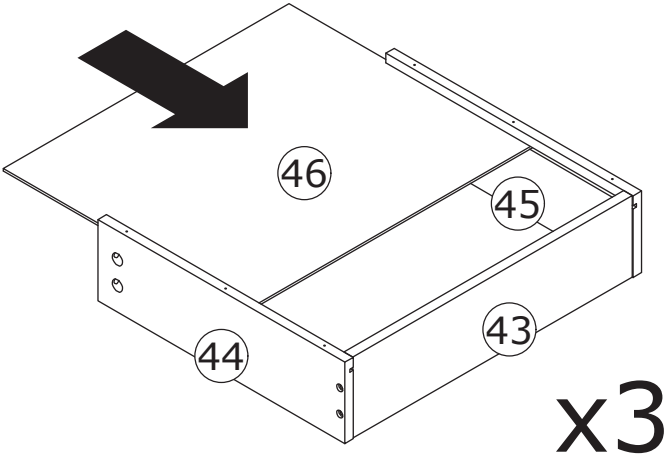
44



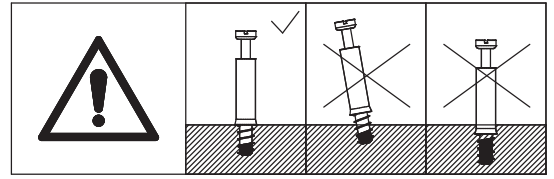
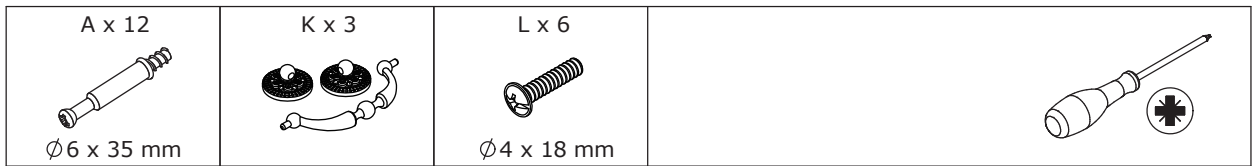
Secure panels 43, 44, and 45 together using screws (D).



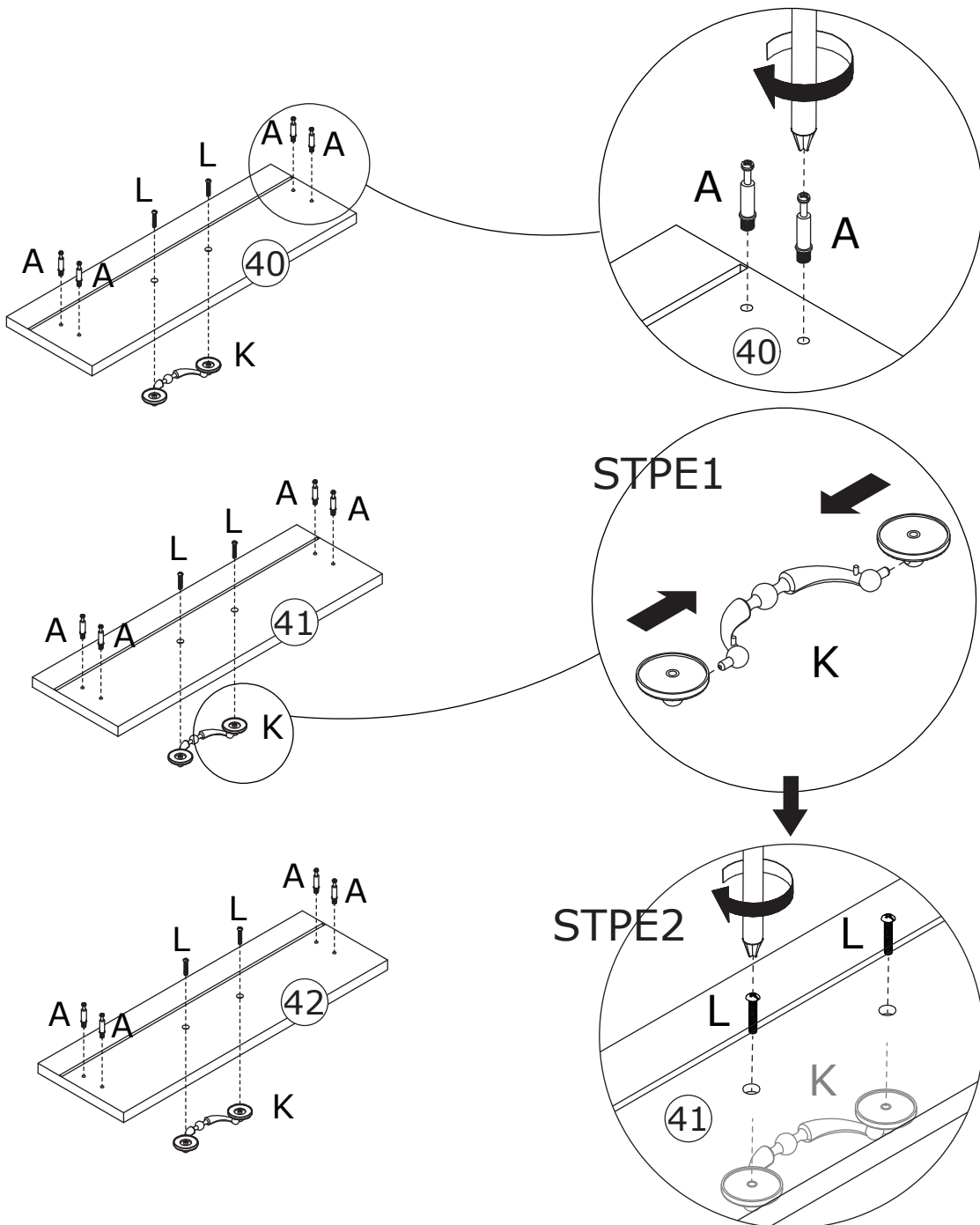
Slide panel 46 along the grooves.



45

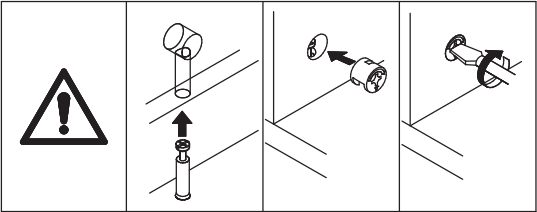
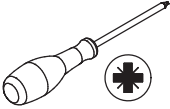


Screw eccentric rod (A) onto panels 40, 41, and 42.
Secure handles (K) to panels 40, 41, and 42 using screws (L).

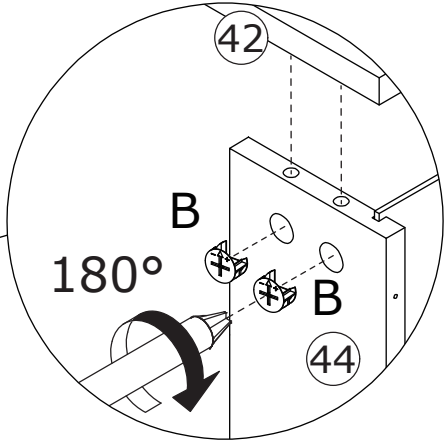
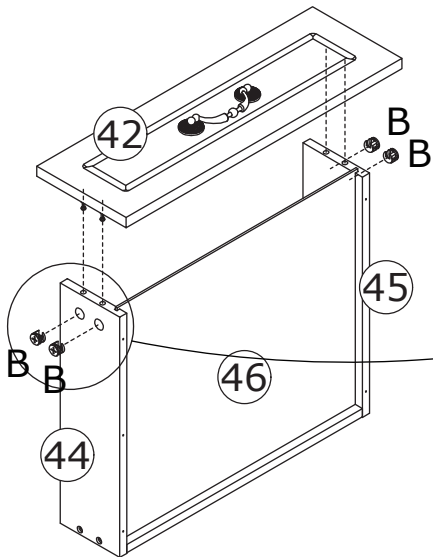
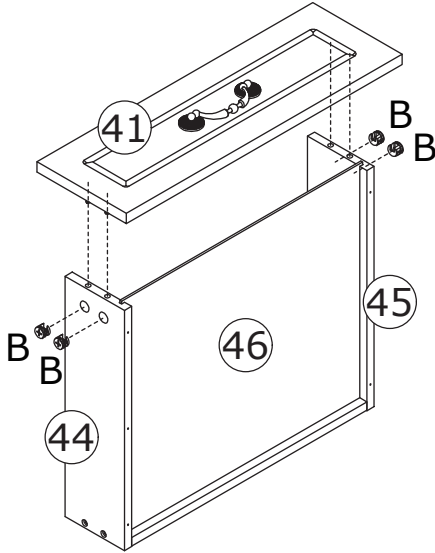
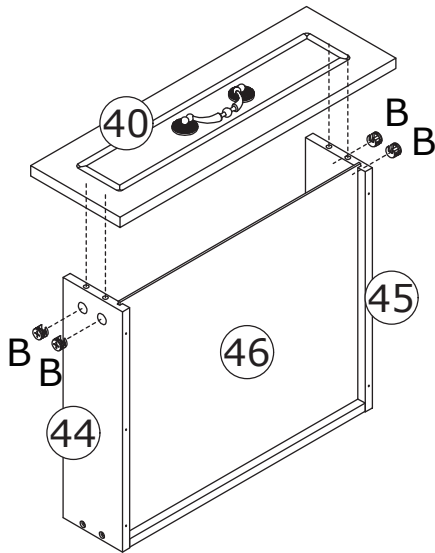


46

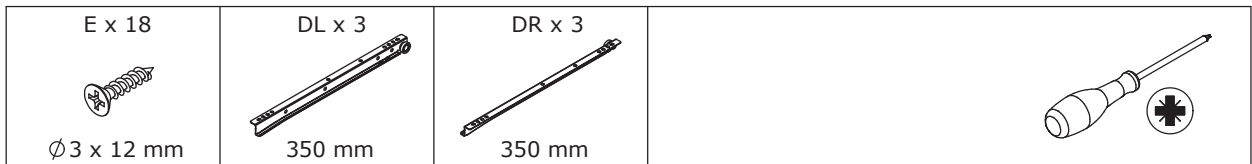
B x 12
Ø15 x 9 mm



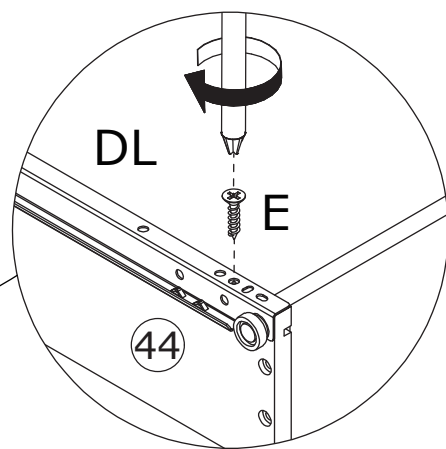
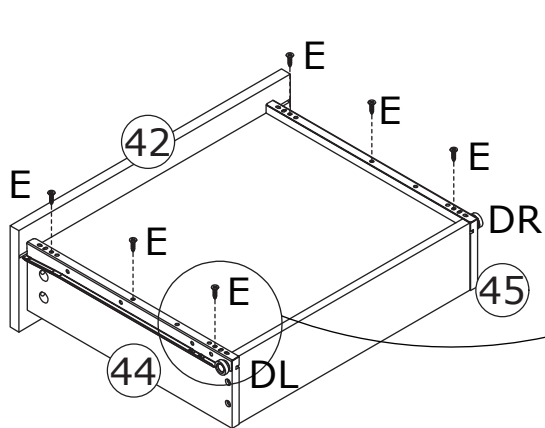
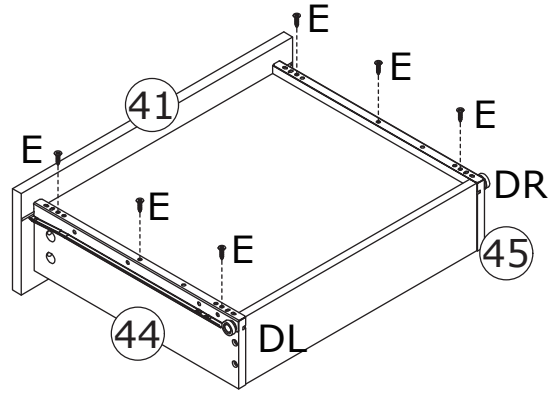
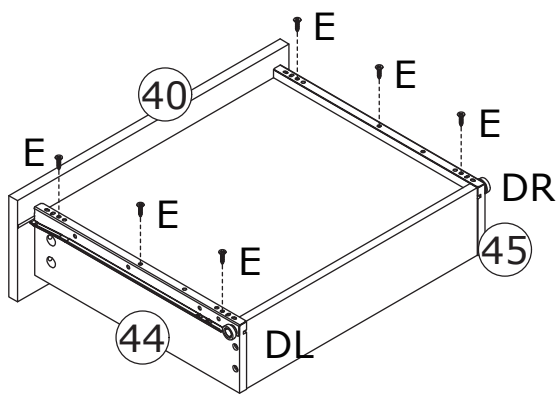
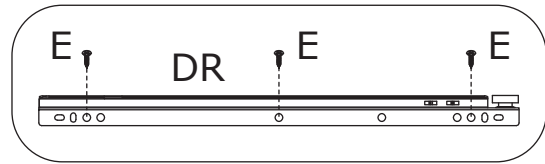
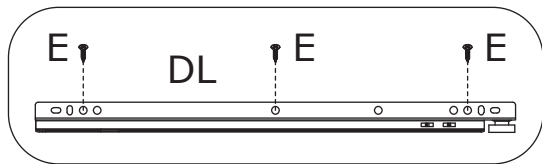
Connect panels 40, 41, and 42 to the components, then tighten by turning eccentric cam (B) clockwise.



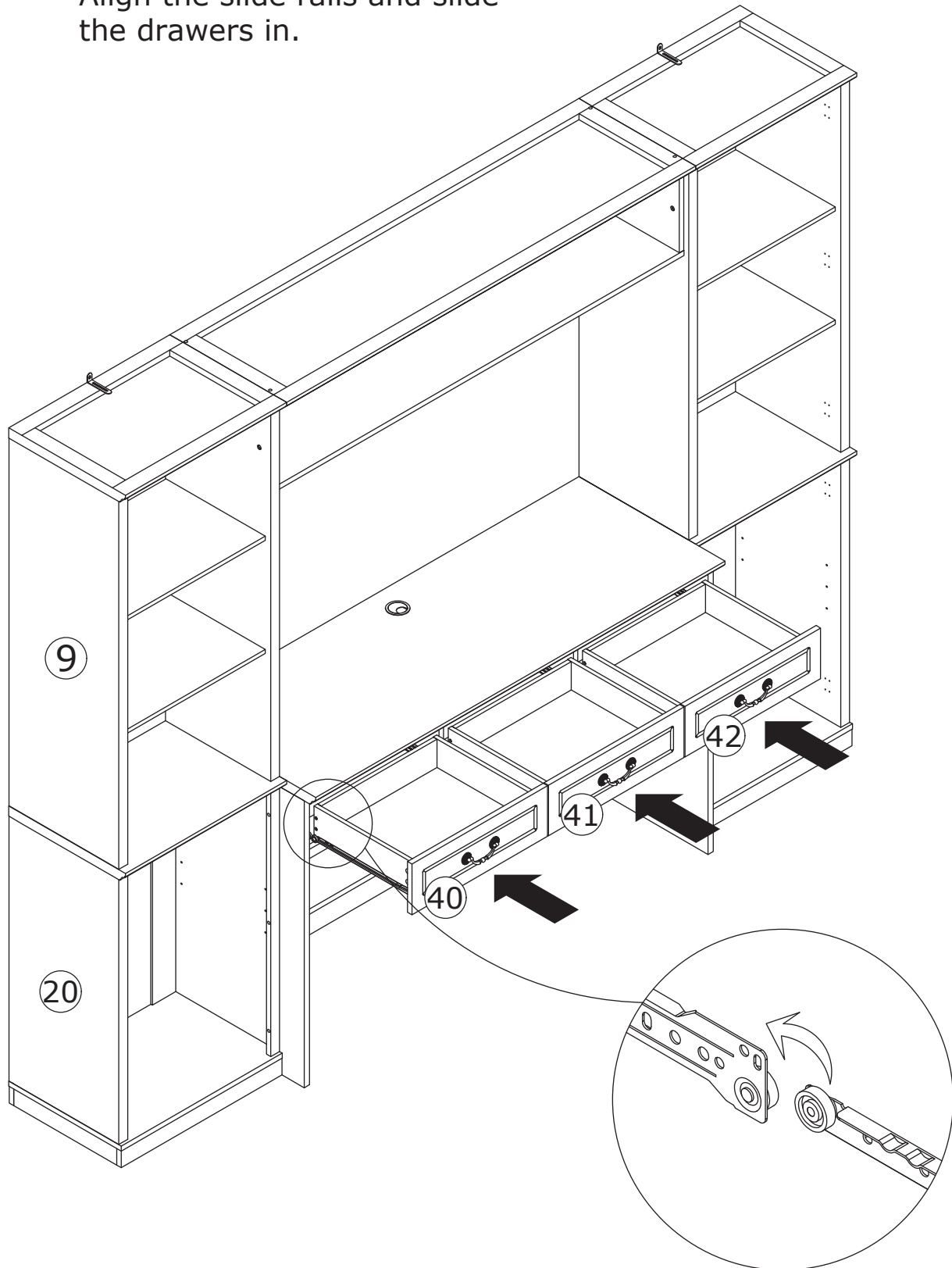
47



Secure the slide rails (DL) and (DR) to panels 44 and 45 using screws (E).



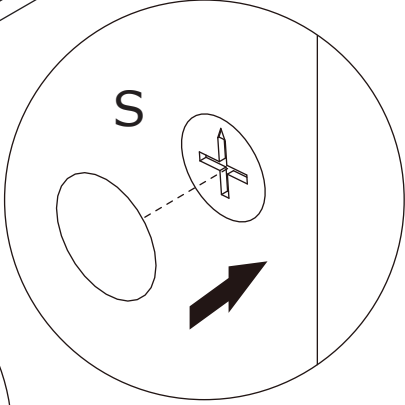
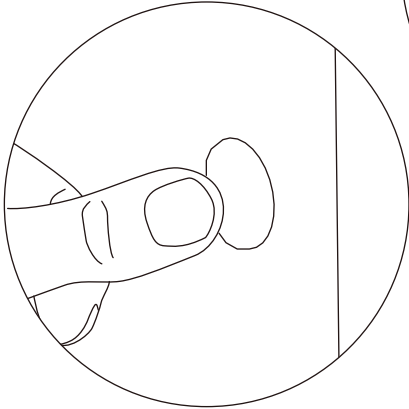
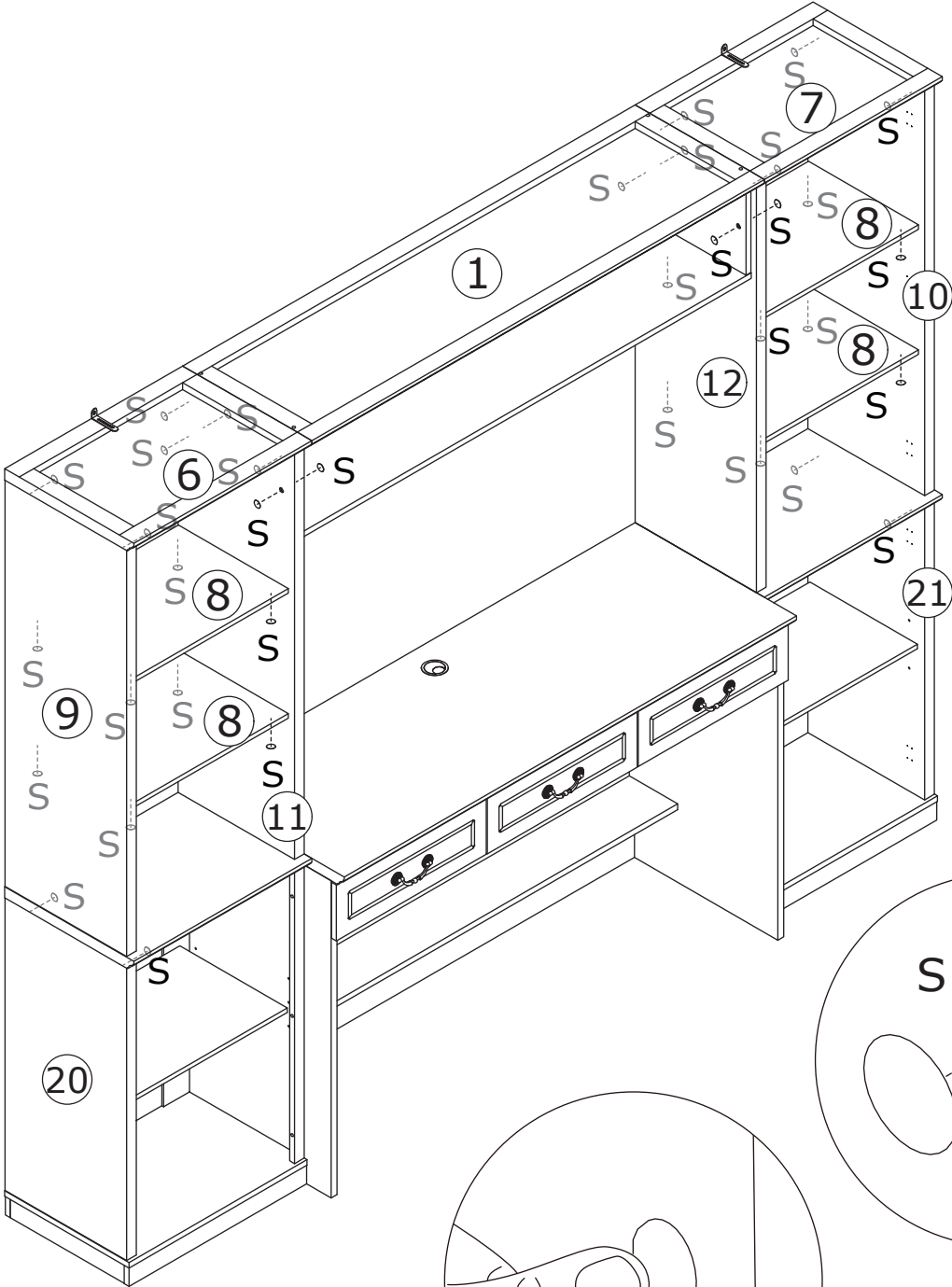
Align the slide rails and slide the drawers in.



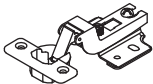



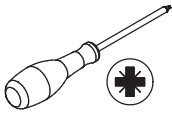
49

S x 36
Ø 20 mm

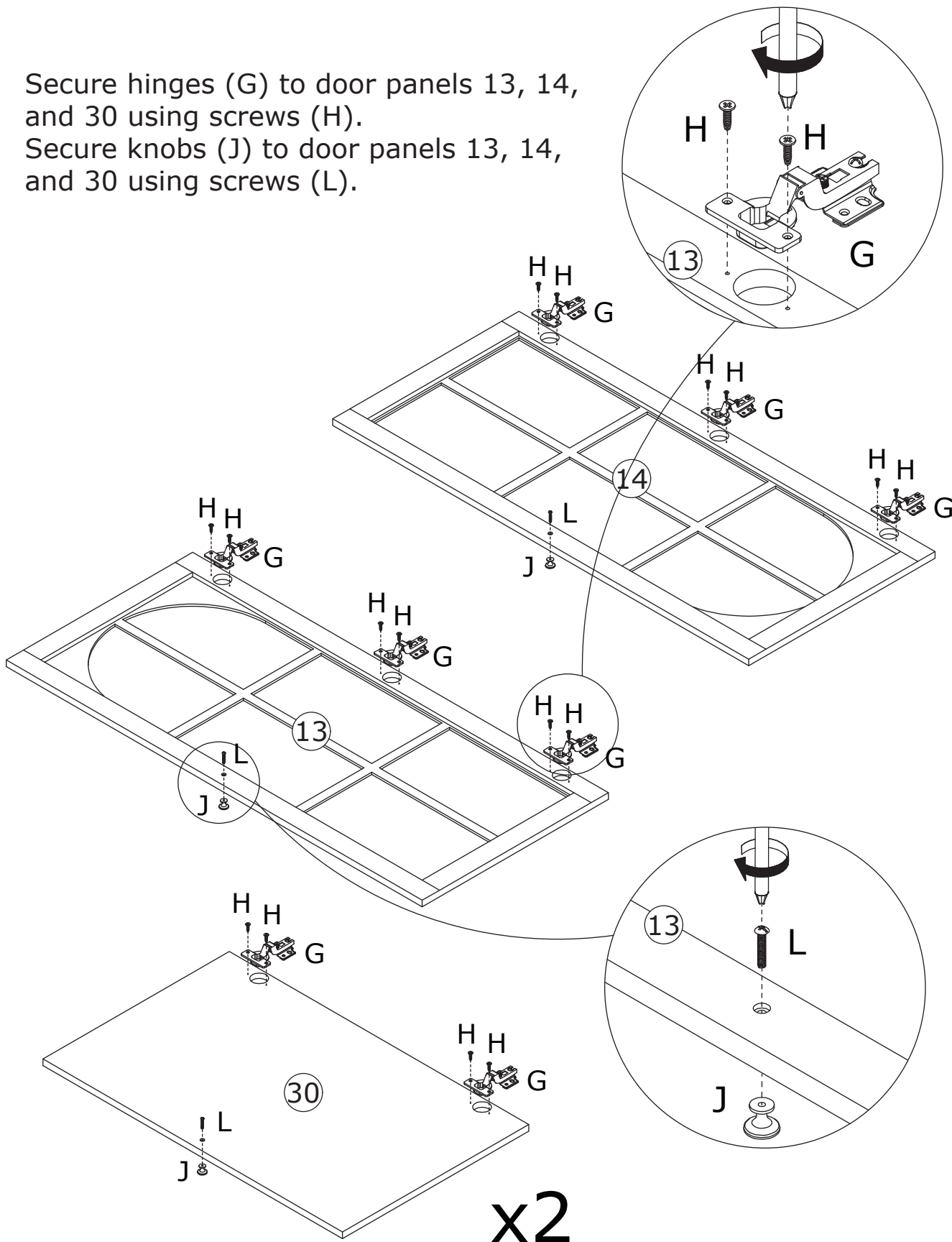
Cover the holes with the stickers (S).



51

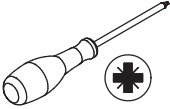
<p>G x 10</p> 	<p>H x 20</p> <p>Ø4 x 14 mm</p> 	<p>J x 4</p> 	<p>L x 4</p> <p>Ø4 x 18 mm</p> 	
-------------------------------------------------------------------------------------------------	-------------------------------------------------------------------------------------------------------------------	------------------------------------------------------------------------------------------------	-------------------------------------------------------------------------------------------------------------------	-------------------------------------------------------------------------------------

Secure hinges (G) to door panels 13, 14, and 30 using screws (H).
Secure knobs (J) to door panels 13, 14, and 30 using screws (L).

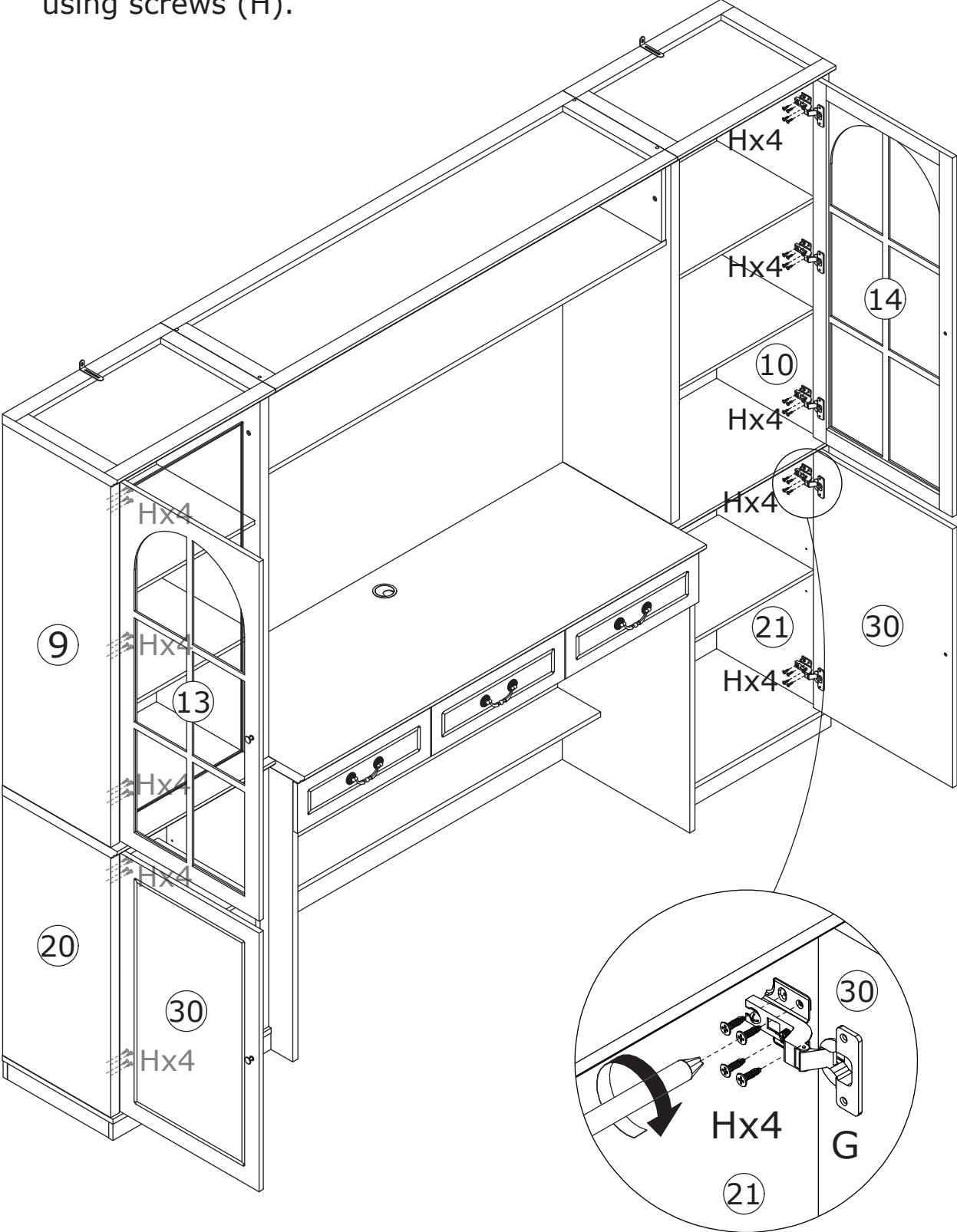


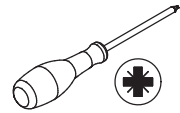
52

H x 40
Ø4 x 14 mm



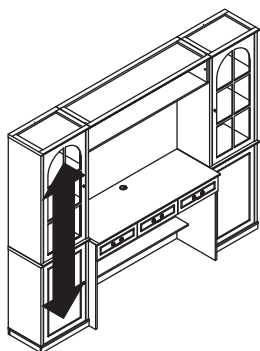
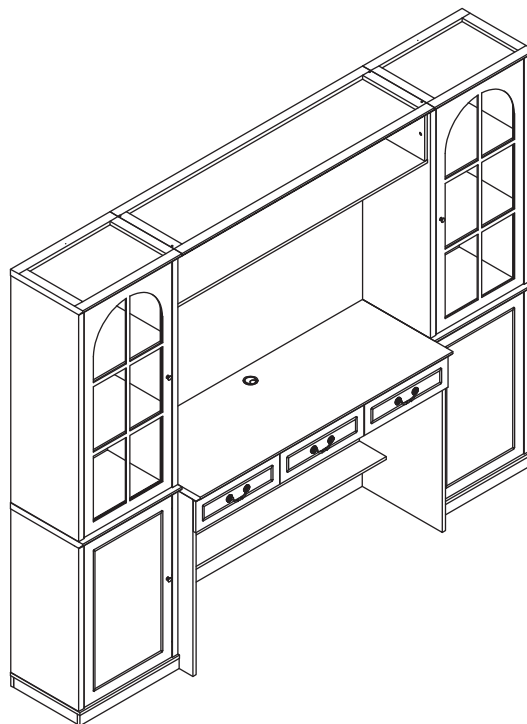
Secure door panels 13, 14, and 30 to the unit using screws (H).



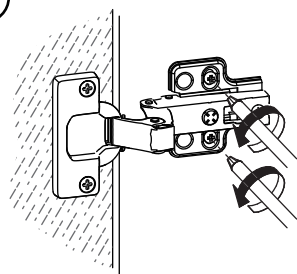


If doors are not aligned, please watch the video or follow the instruction to adjust screws.

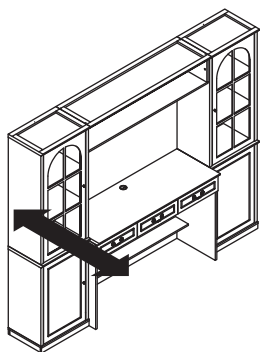
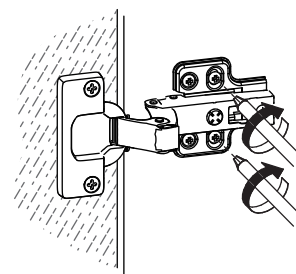
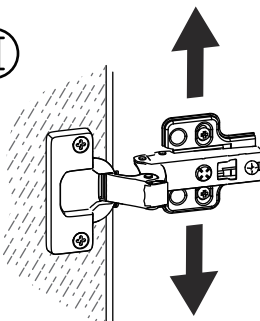
<https://youtu.be/n0Lb36SoODM>



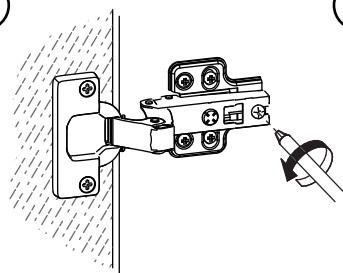
Ⓘ



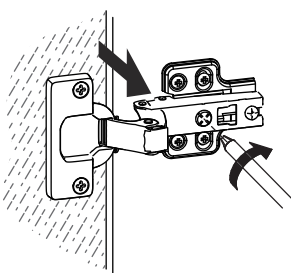
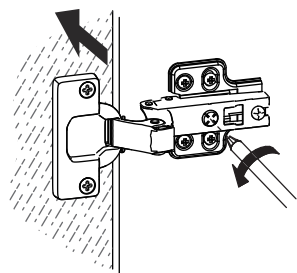
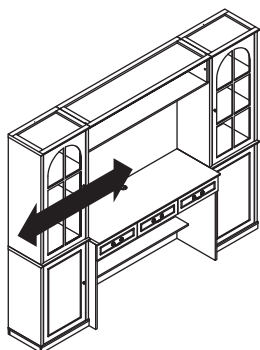
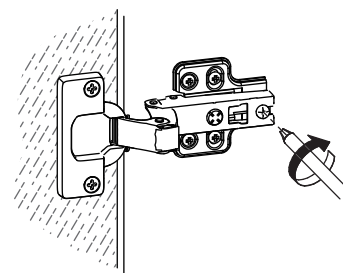
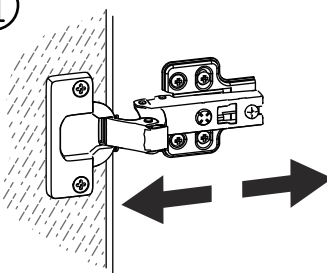
Ⓜ



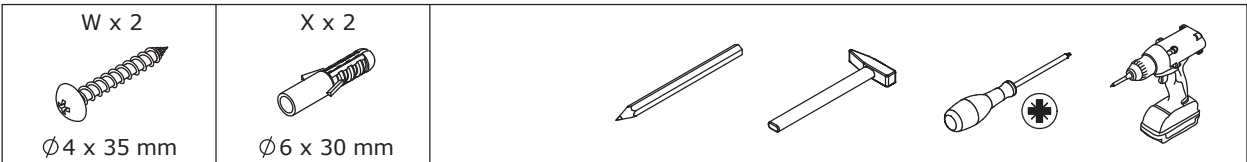
Ⓘ



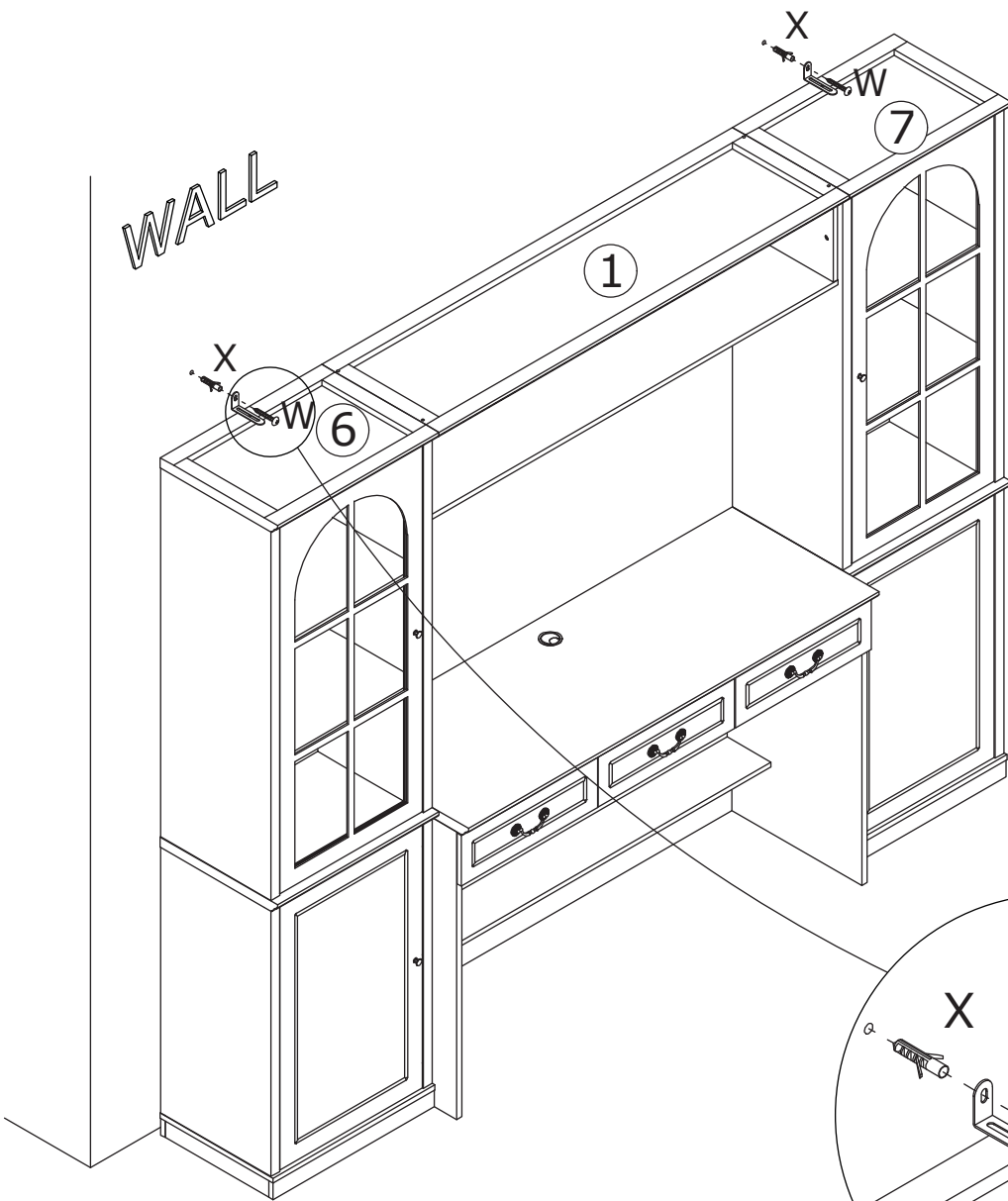
Ⓜ

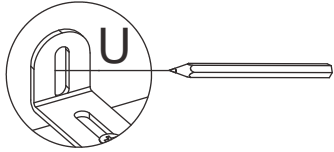
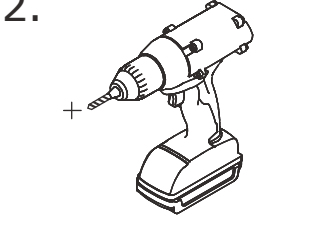
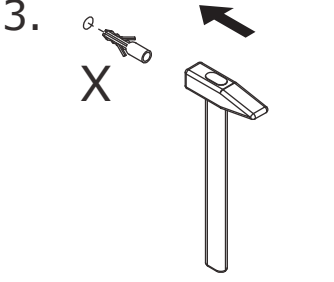
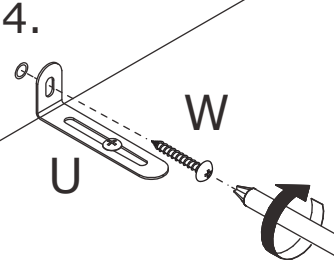


54



As shown in the diagram, secure the cabinet to the wall-mounted component (X) using screws (W).



- 
- 
- 
- 

WARRANTY

WARRANTY CLAIMS

- There is a 30-day warranty for broken furniture or any other problems that do not work properly. The warranty will start from the date of purchase which must be verified by proof of purchase.
- Before making a claim, we may be able to answer your query, simply call us. Please leave your purchase order number, along with some details of the problem, if you want a replacement part. We will arrange within 48 hours. If there is out of stock, we will reply with a shipping date.
- The product must be used in accordance with the instructions provided. For health reasons.
- For other reasons, if the furniture needs to be returned, it must be cleaned and dried and operated within 30 days of receipt.

Type of Warranty Claim

- Failure to follow the furniture instructions will invalidate the warranty. Attention please.
- Does not include damage during installation, but includes damage during transportation.

Scope of responsibility

- Shall not bear any responsibility for misuse or user damage and / or loss of parts during the installation of furniture.
- After using, the damage and scratches of the furniture are not covered by the warranty.

The Warranty Relates to All Bought in The Us and Covers The Following Areas

- Sheet parts: 1 month from the date of purchase.
- Electrical parts: 1 month from the date of purchase.

RETURNS

CHANGED YOUR MIND AND NEED TO RETURN YOU ITEM?

PLEASE FOLLOW THE BELOW INSTRUCTIONS:

- If you have purchased and have simply changed your mind, follow the retailer's instructions for returns.

DEFECTIVE ITEMS

- If your item is defective in any way, i.e. it doesn't work but you can't identify why, in the first instance, please call us.

DAMAGED ITEMS

- If you receive an order with obvious shipping damage from the retailer, then we suggest the delivery is refused. If the delivery has been accepted and then shipping damage is found, please follow the specific instructions advised by the retailer.
In all circumstances please save all packaging material and paperwork for the order. Please be aware that if you dispose of packaging material or attempt to return the merchandise without contacting the fulfiller, you jeopardise your chances of making a claim, and you may not receive a credit for the return.

AFTER-SALES CONTACT



adelahu@fufugaga.com



208-820-0068