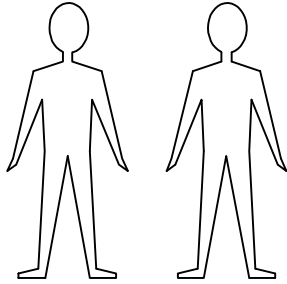


ASSEMBLY INSTRUCTION



CAUTION

1. This product requires 2 people for assembling.

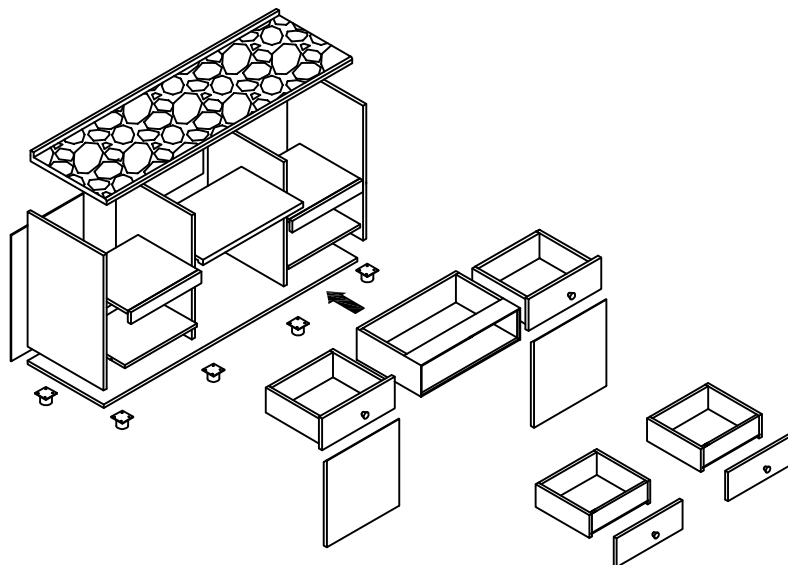


2. Assembling process should proceed on carpets, rug or empty cartons to prevent scratches or damages.

3. Make sure the product is completely assembled before using. If there have any hardware or components unfixed, do not use until you get them and assembled properly.

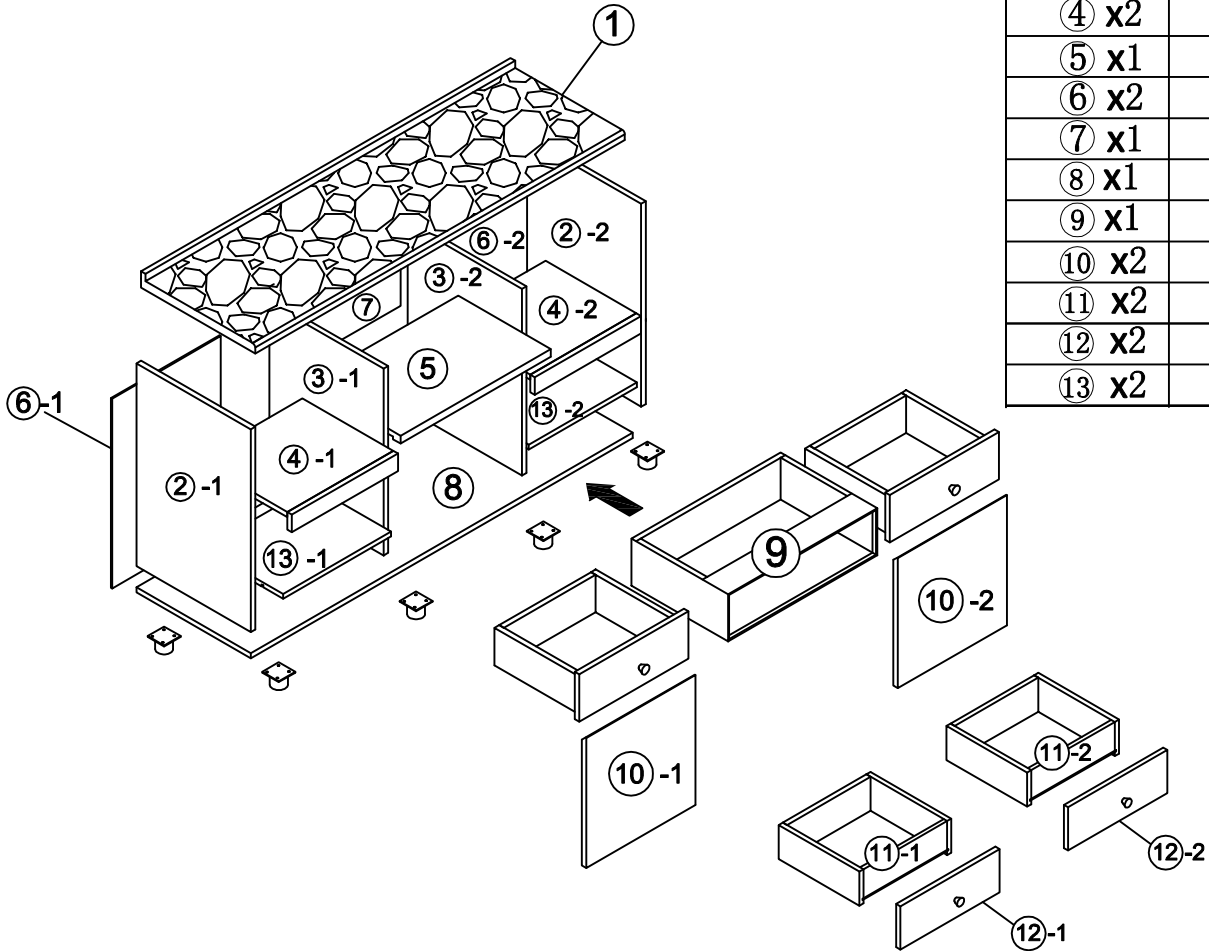
4. There have small components in the construction of this product. The loose components should be kept away from Children and pets to avoid any choking hazard.

5. There have plastic bags or thin films as packing material of this product, please keep away from children or pets to avoid suffocation




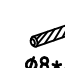


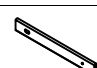

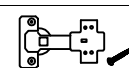






Parts supplied for assembly

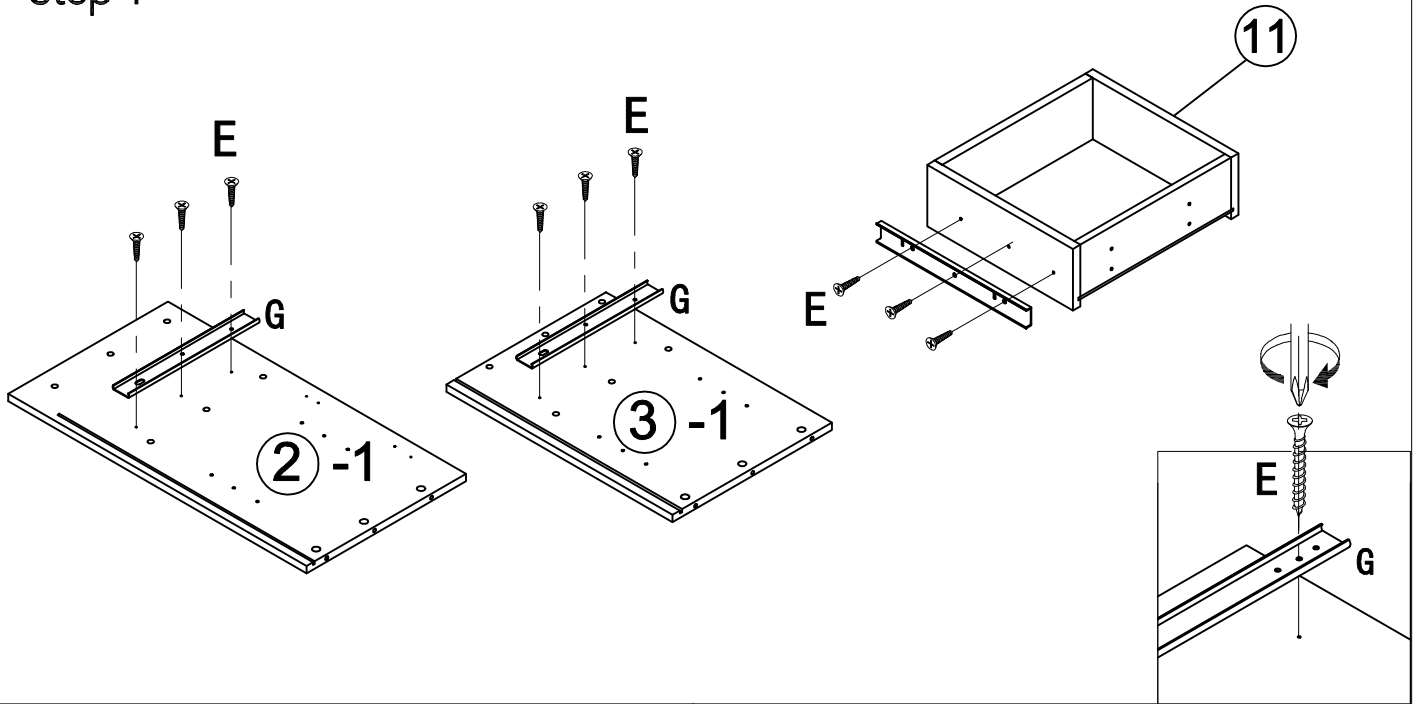
| PART NO. | QTY |
|----------|-----|
| ① x1 | 1 |
| ② x2 | 2 |
| ③ x2 | 2 |
| ④ x2 | 2 |
| ⑤ x1 | 1 |
| ⑥ x2 | 2 |
| ⑦ x1 | 1 |
| ⑧ x1 | 1 |
| ⑨ x1 | 1 |
| ⑩ x2 | 2 |
| ⑪ x2 | 2 |
| ⑫ x2 | 2 |
| ⑬ x2 | 2 |



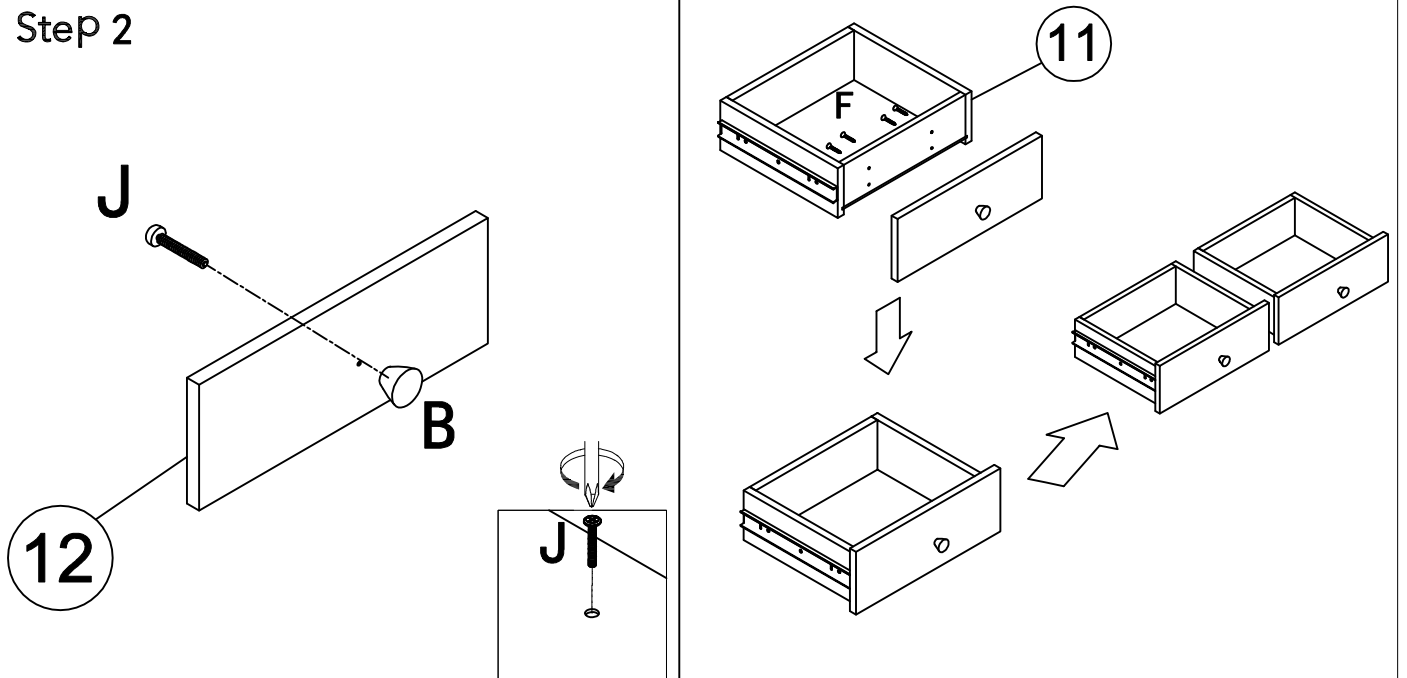
Hardware supplied for assembly

| | | | | | |
|---|--|---|--|--|---|
| A x38  | B x2  | C x8  | D x14  Ø8*40 | E x48  Ø3.5*16 | F x8  Ø3.5*25 |
| G x2  14" | H x6  | I x4  Ø35 Ø3.5*16 | J x2  M4*25 | K x1  | L x1  Ø3.5*14 |
| M x6  Ø3.5*14 | Fix fireplace to wood frame only. | | | | |

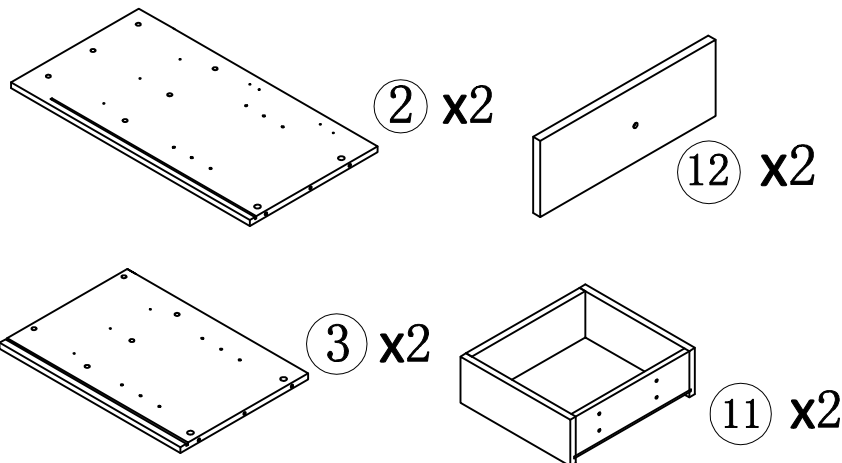
Step 1



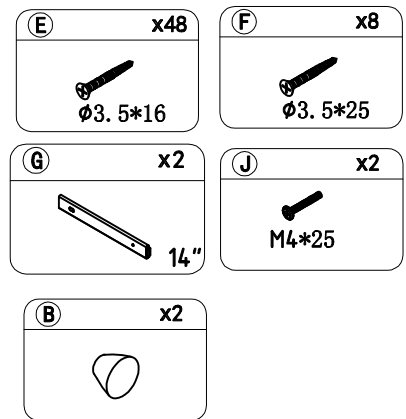
Step 2



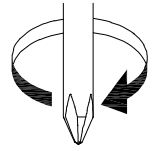
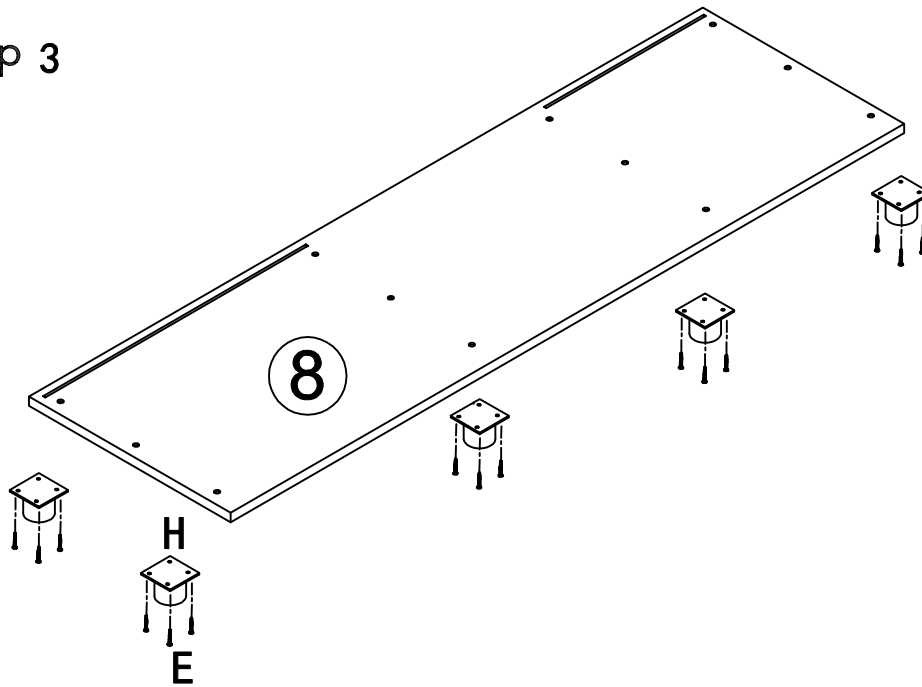
Parts



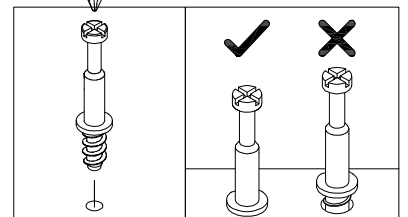
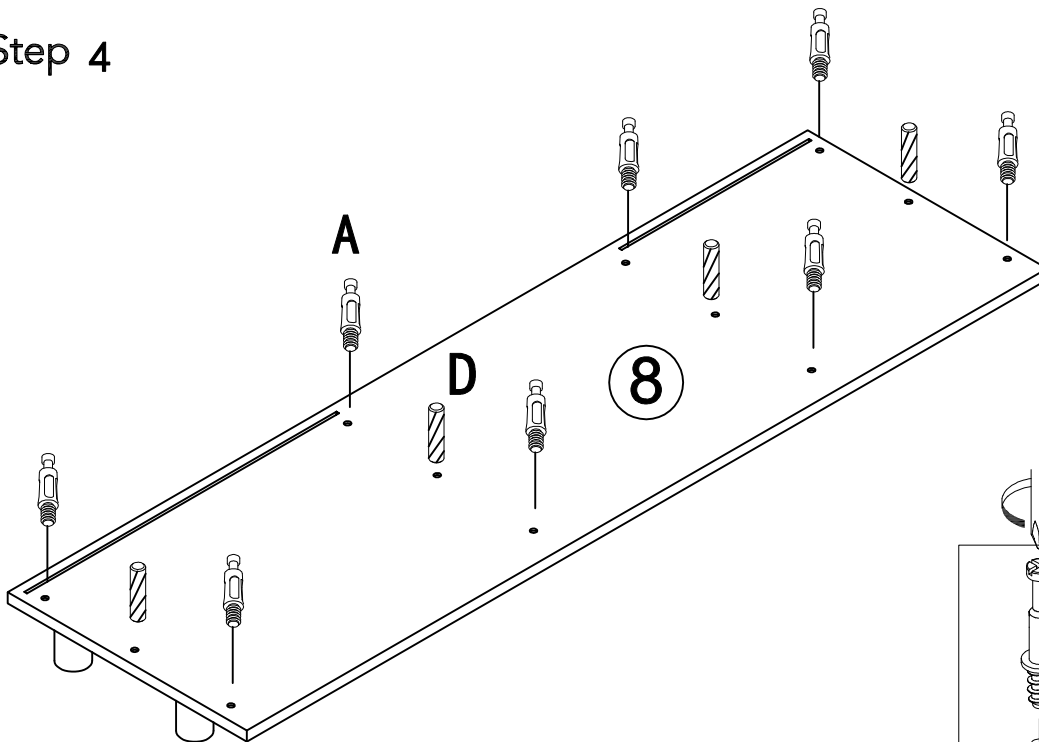
Hardware



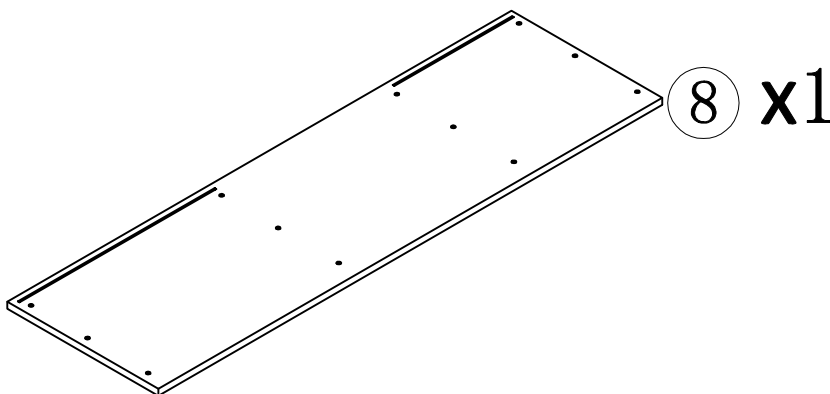
Step 3



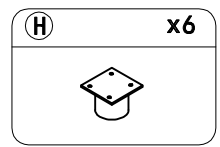
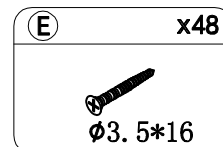
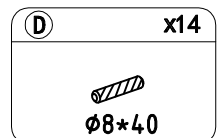
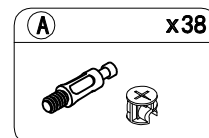
Step 4



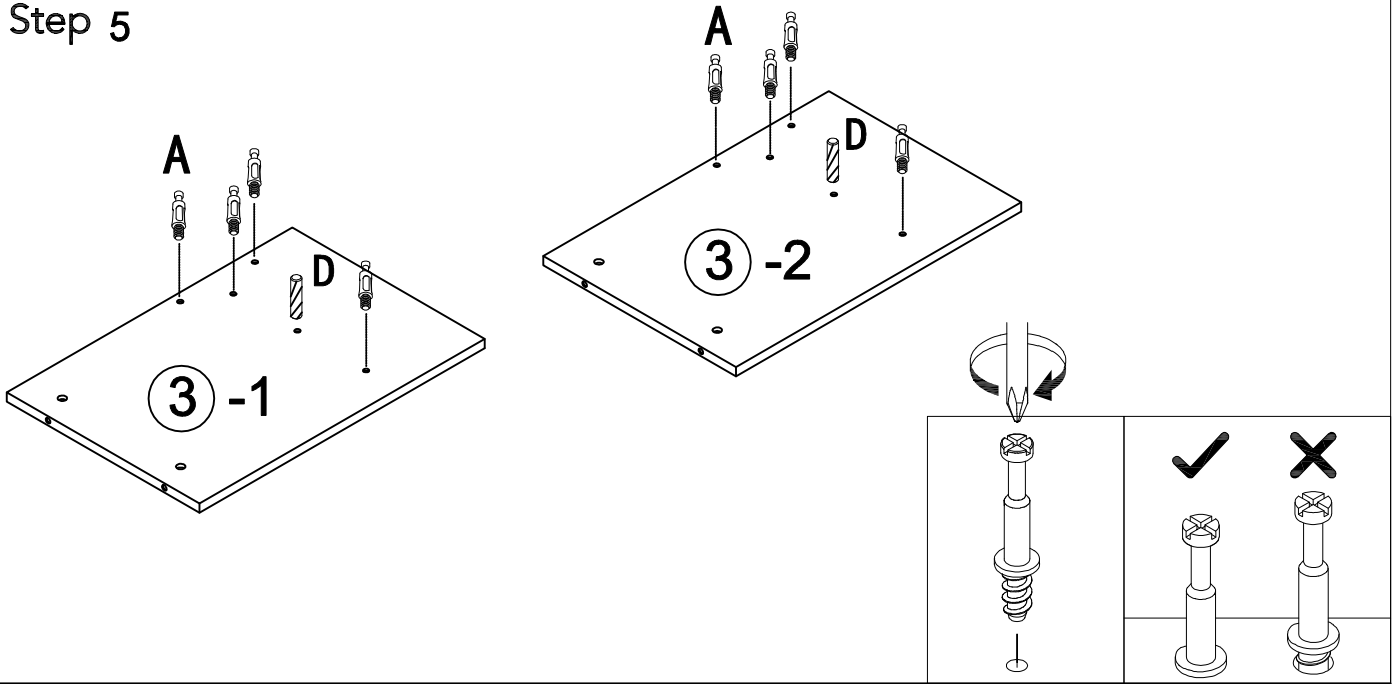
Parts



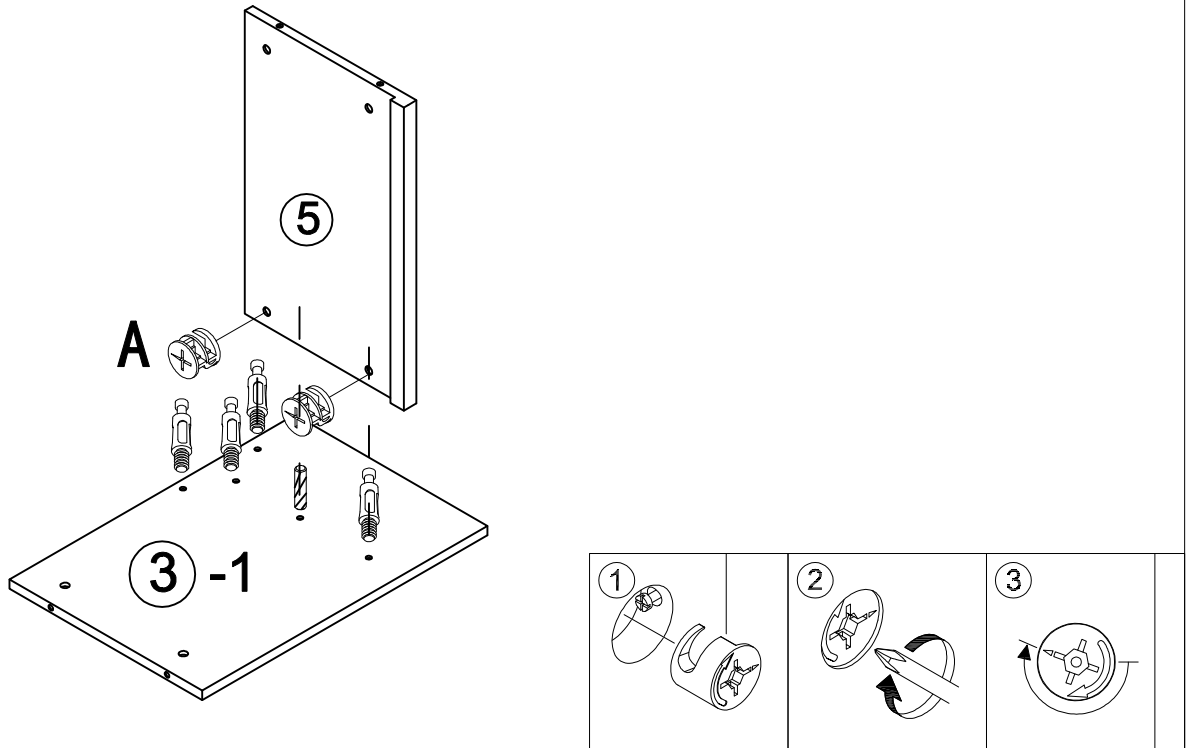
Hardware



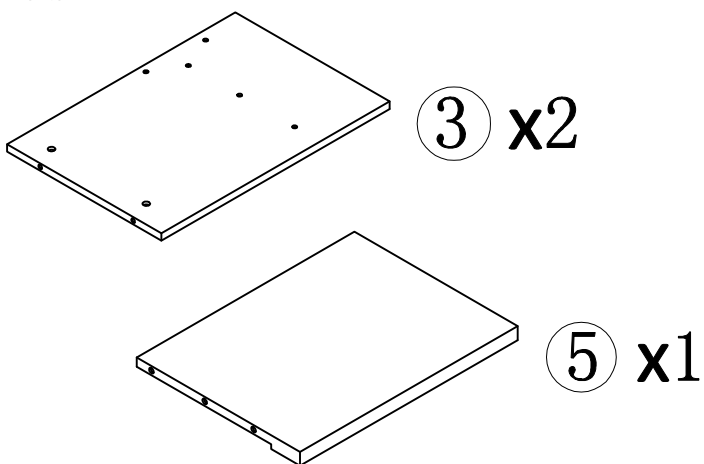
Step 5



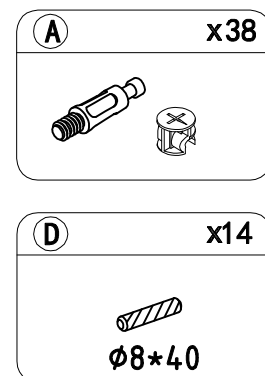
Step 6



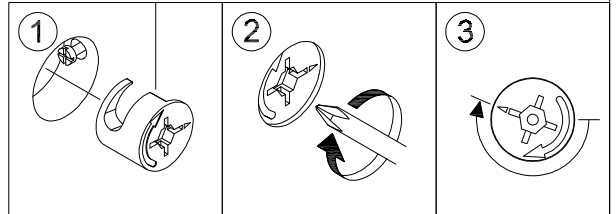
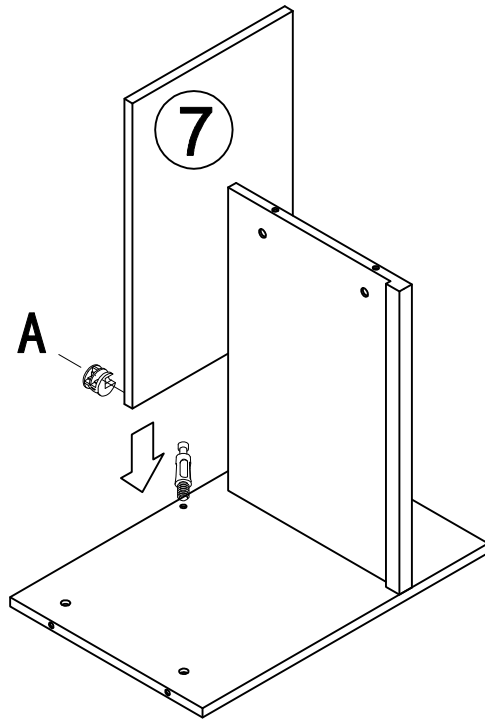
Parts



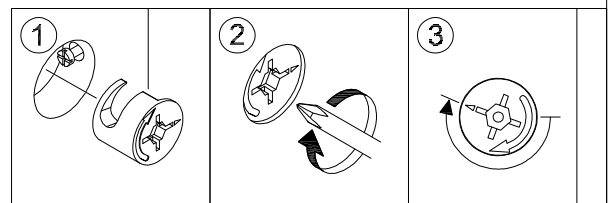
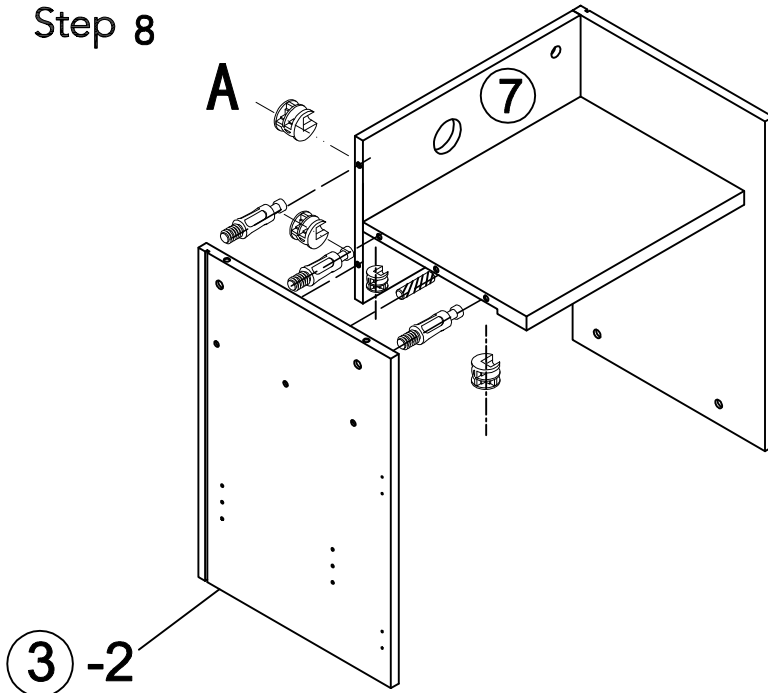
Hardware



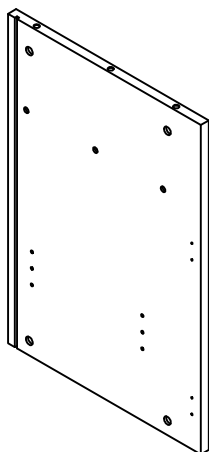
Step 7



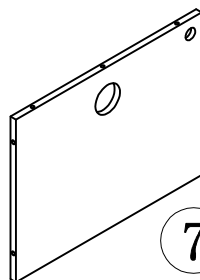
Step 8



Parts

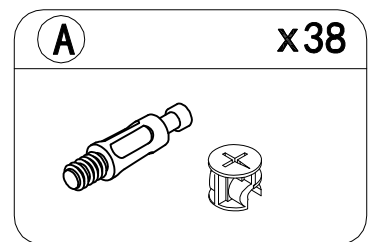


3 x2

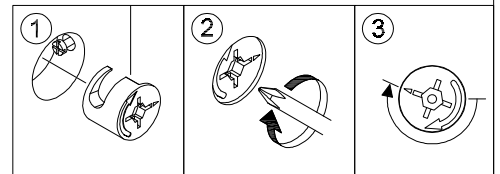
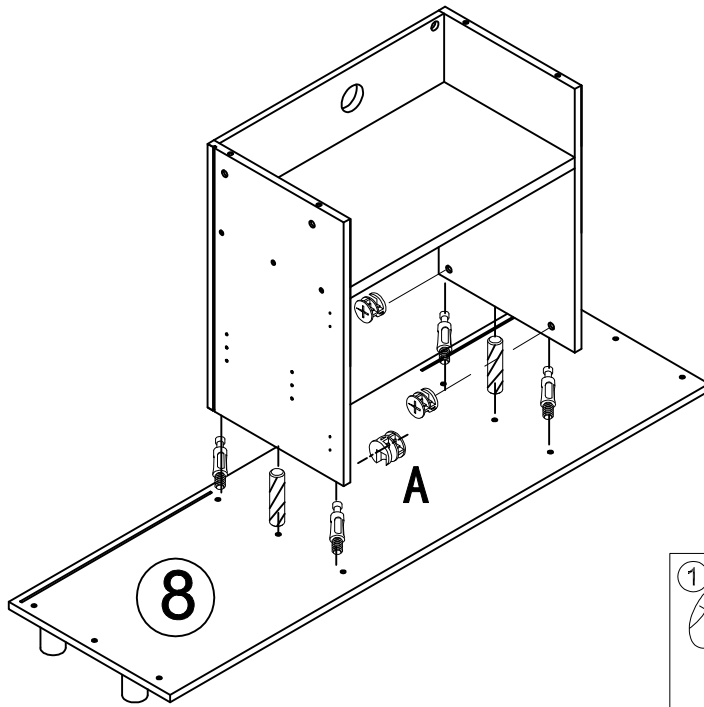


7 x1

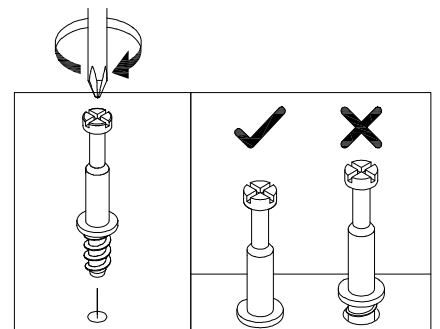
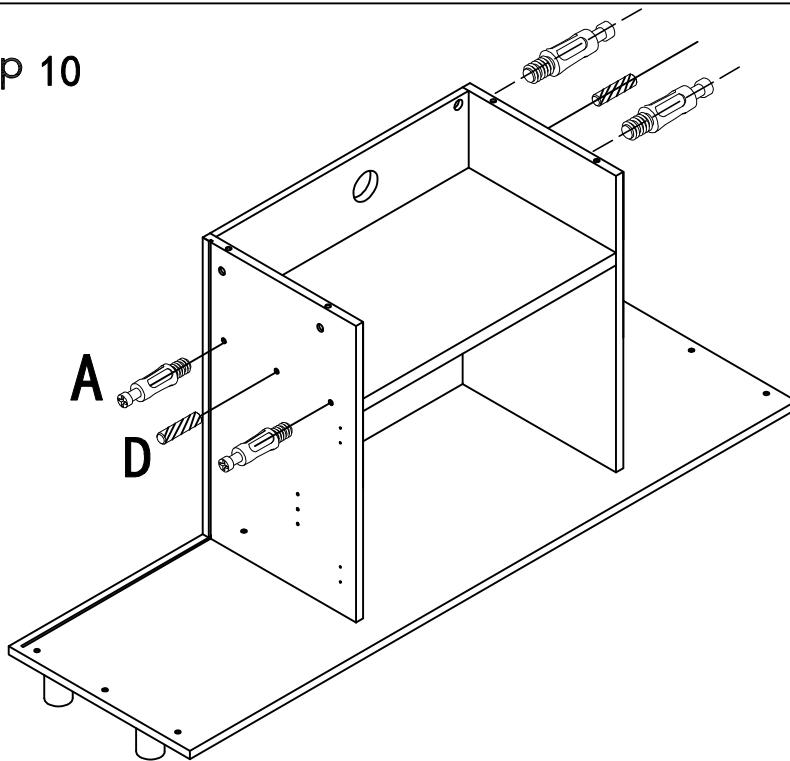
Hardware



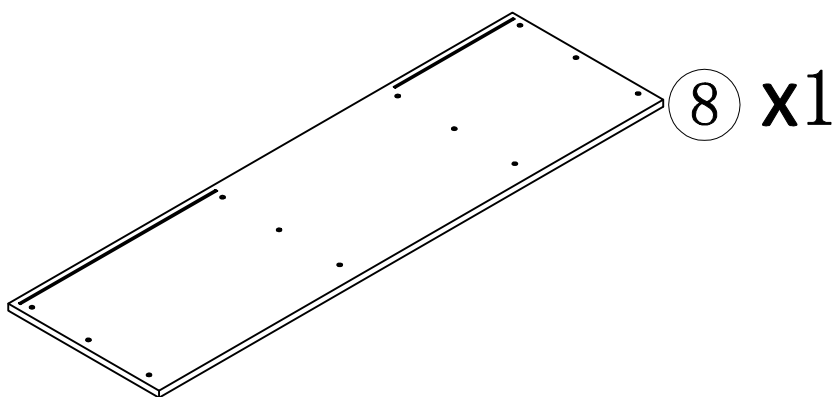
Step 9



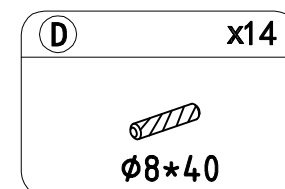
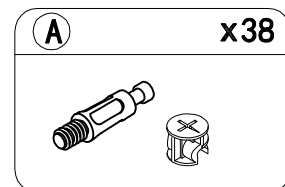
Step 10



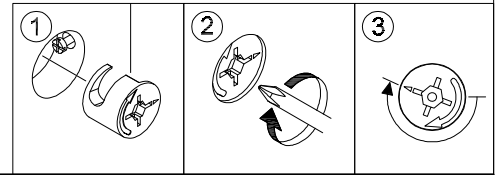
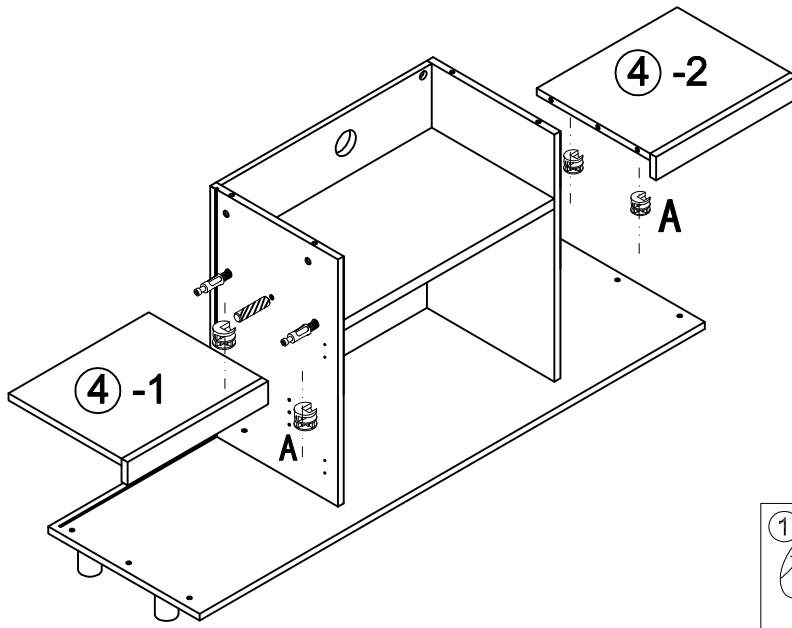
Parts



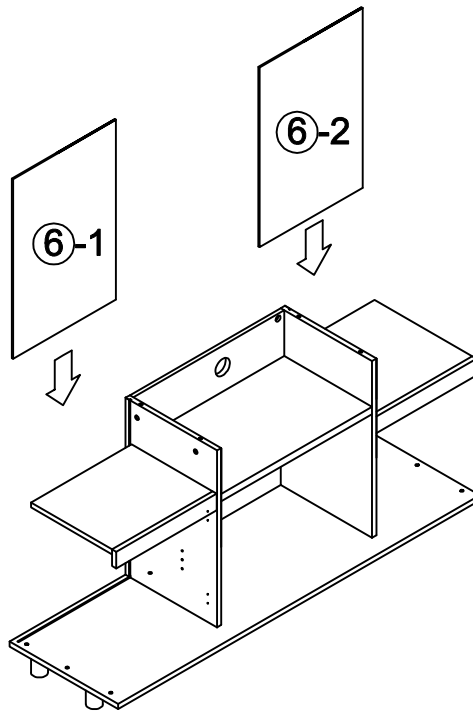
Hardware



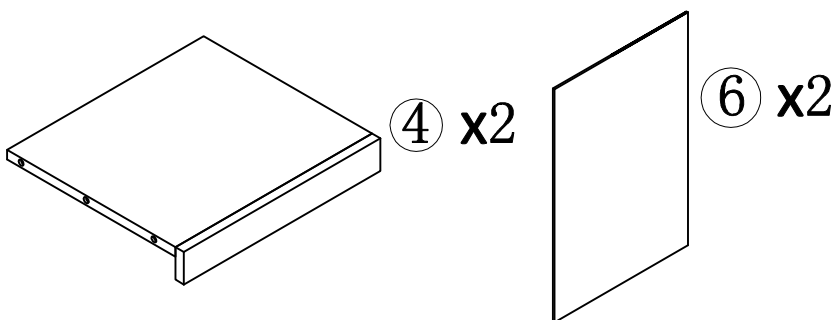
Step 11



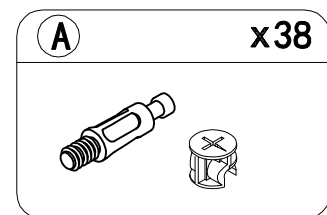
Step 12



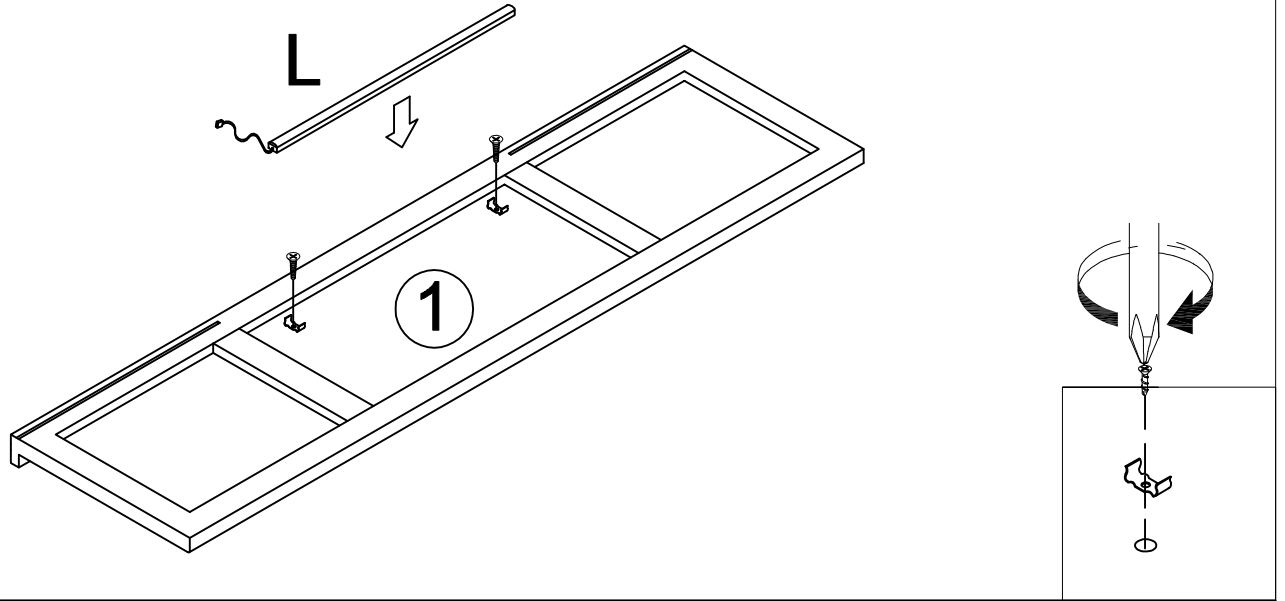
Parts



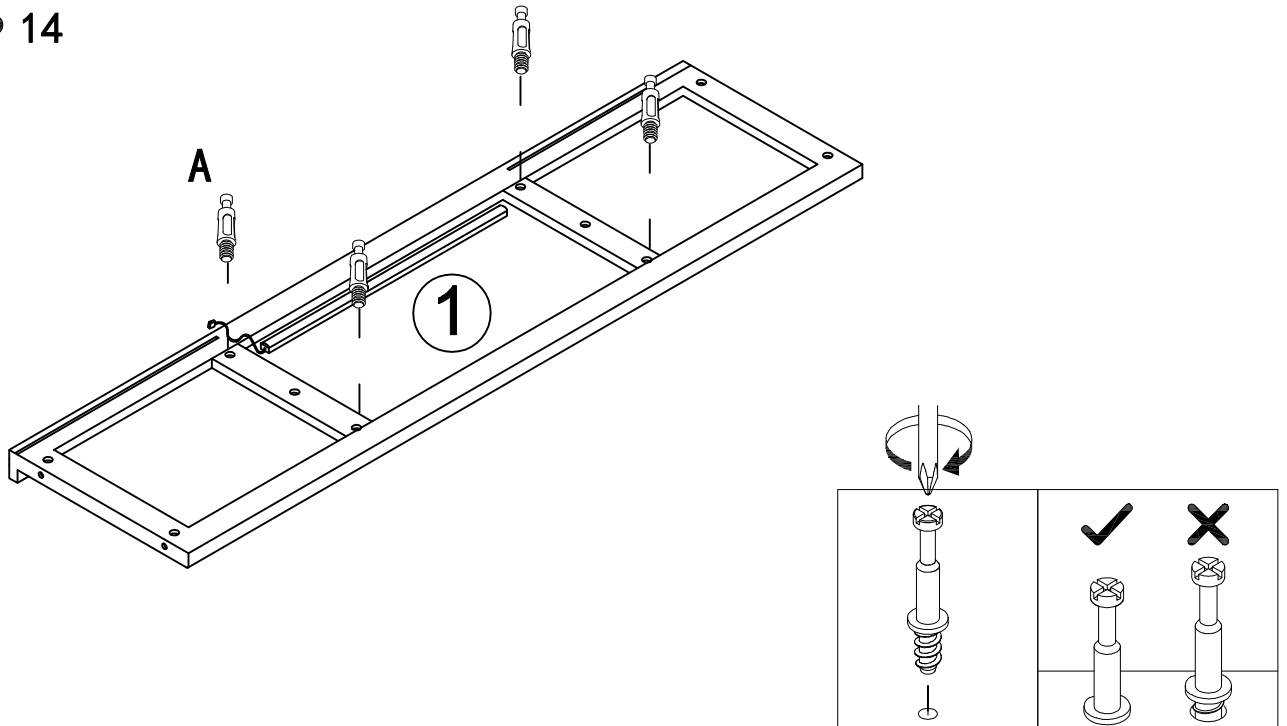
Hardware



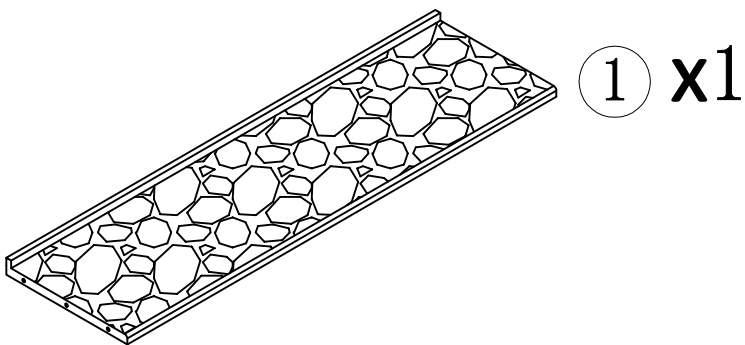
Step 13



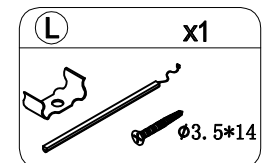
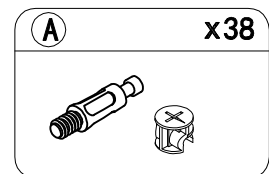
Step 14



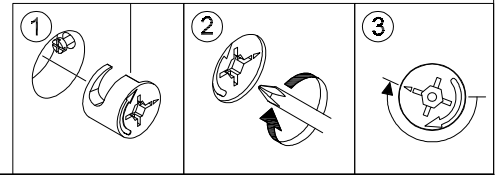
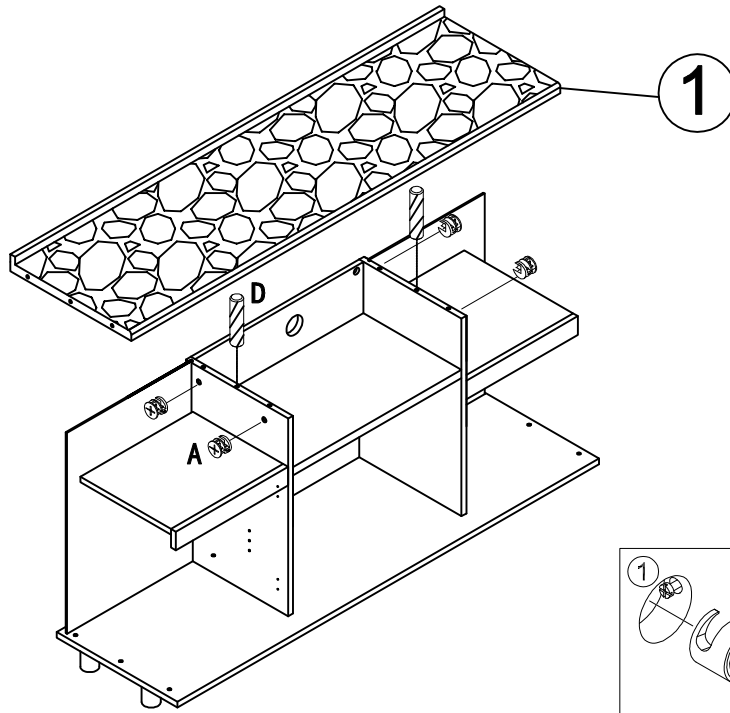
Parts



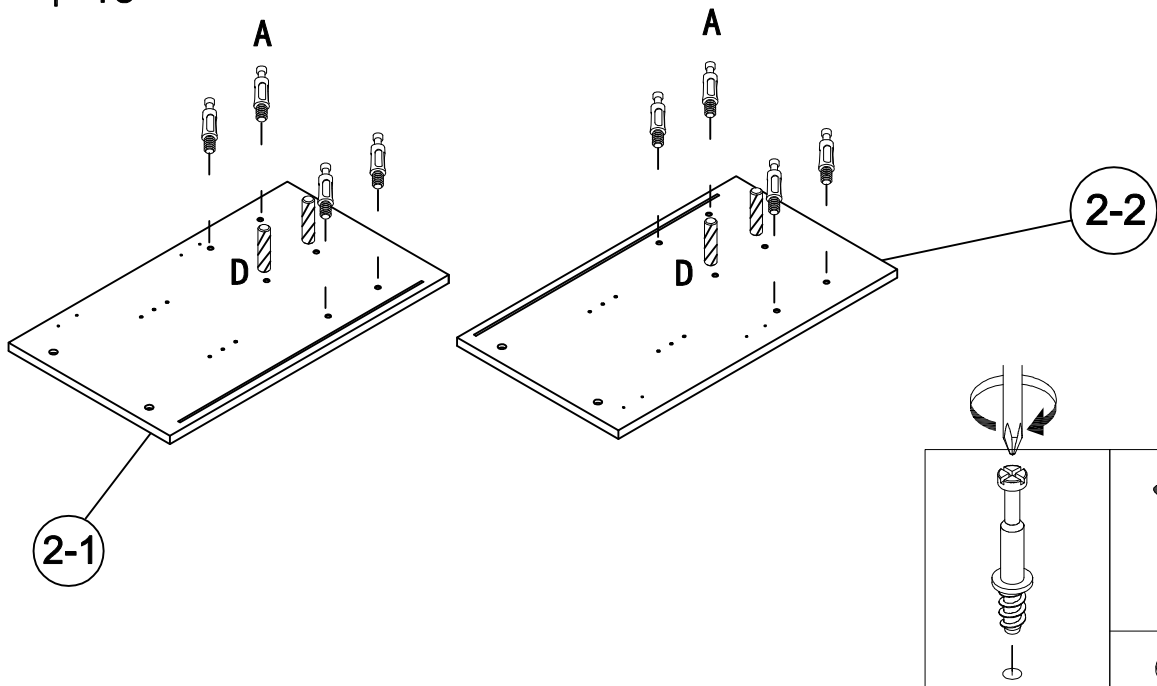
Hardware



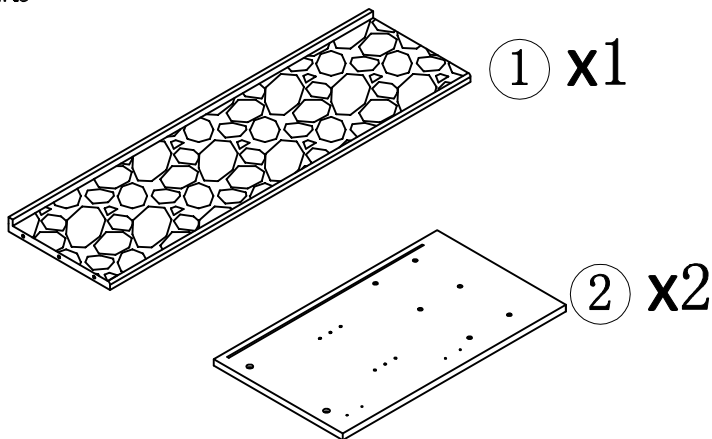
Step 15



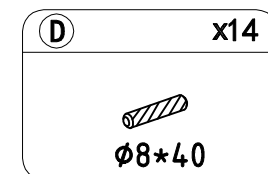
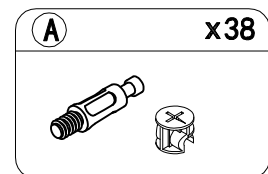
Step 16



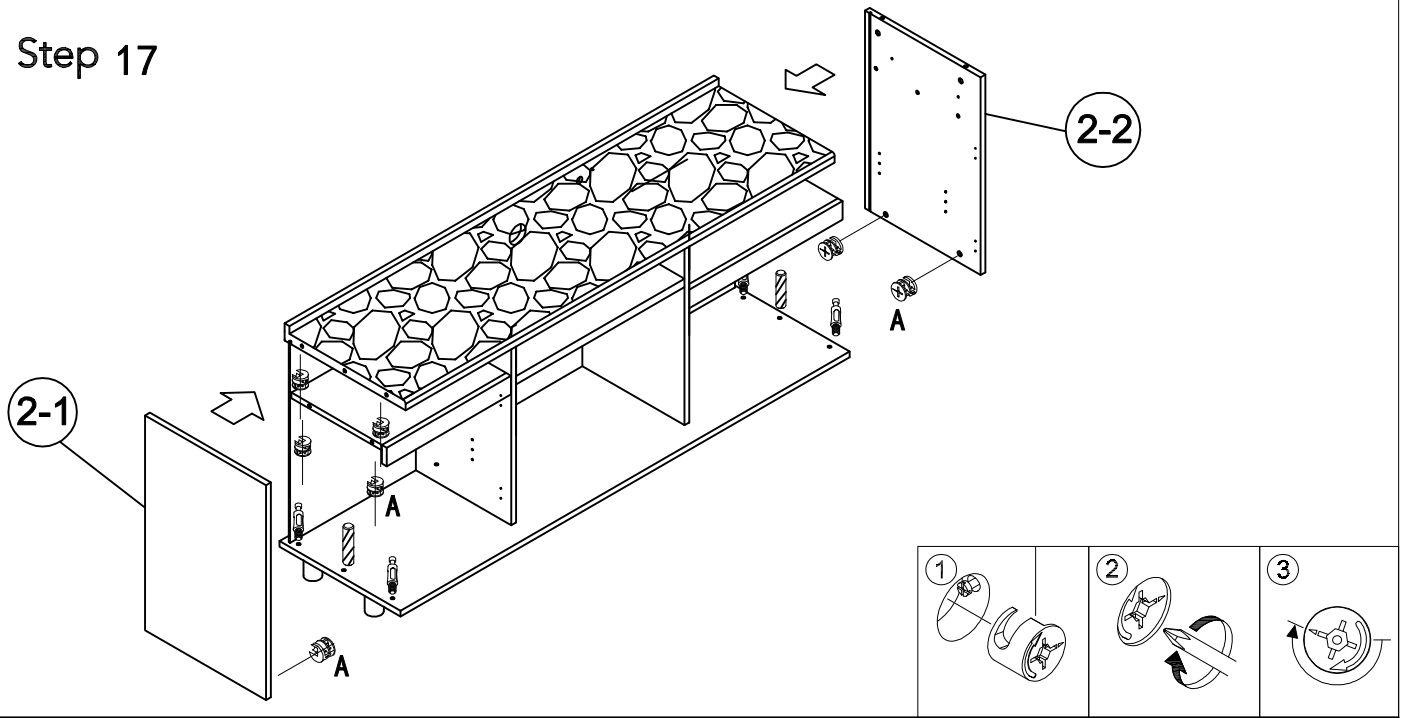
Parts



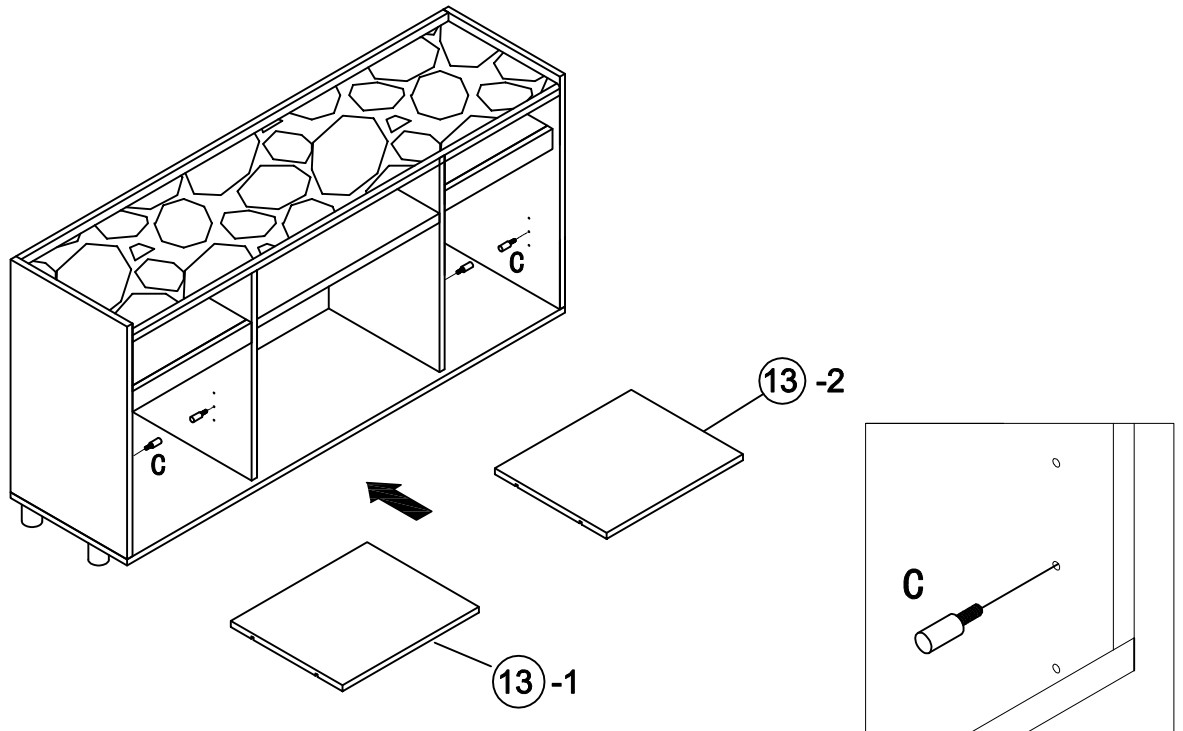
Hardware



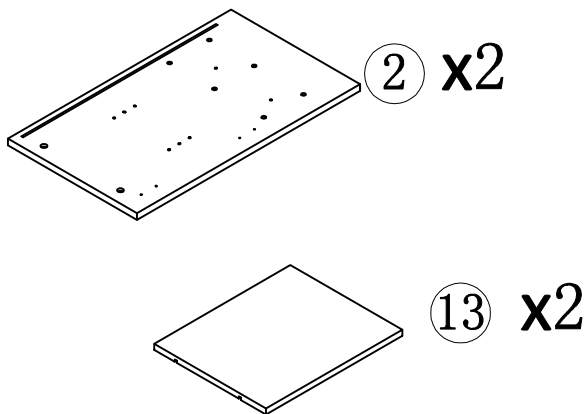
Step 17



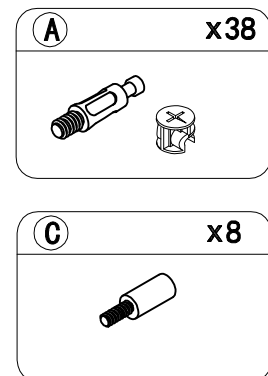
Step 18



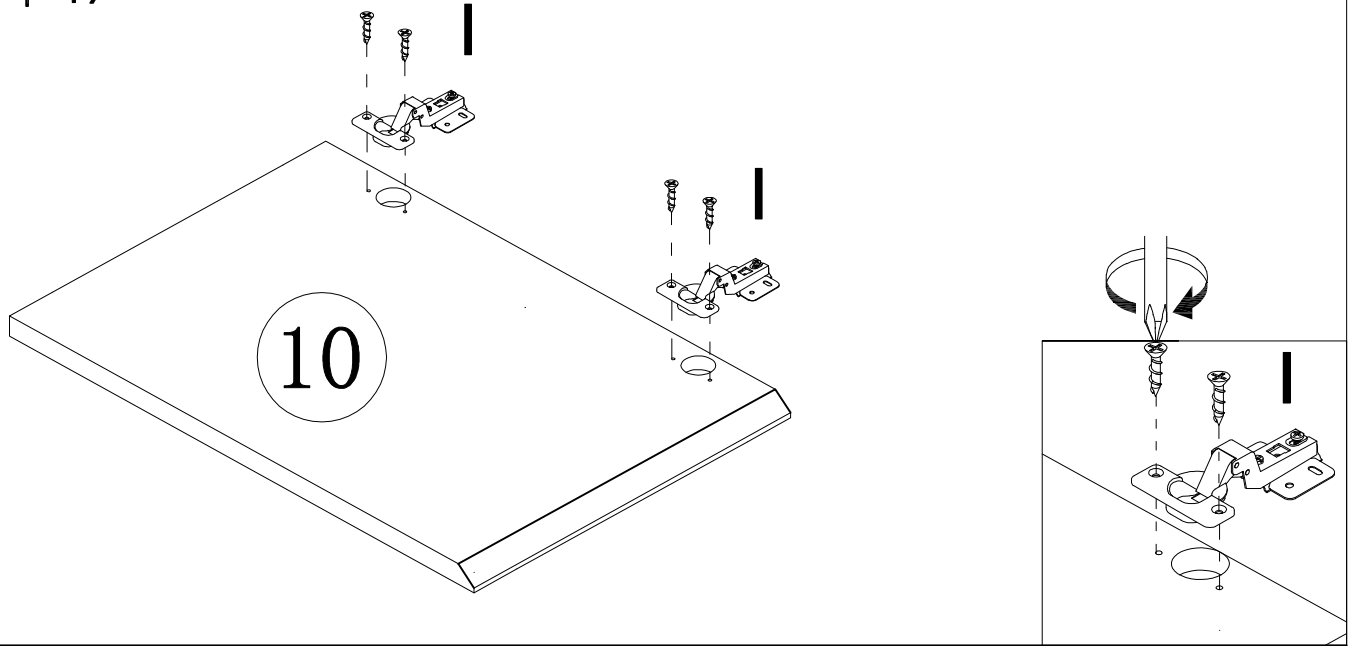
Parts



Hardware

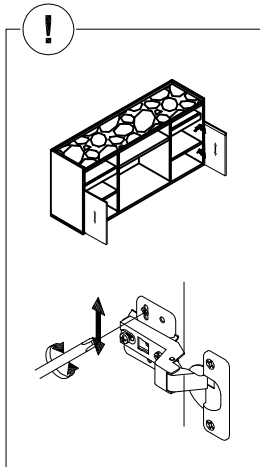
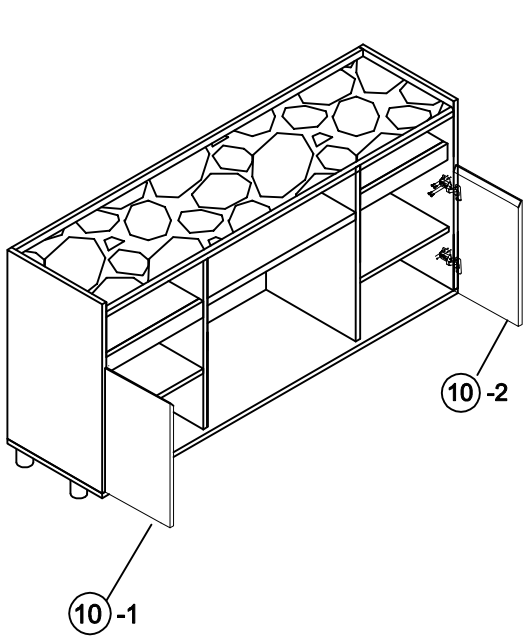


Step 19

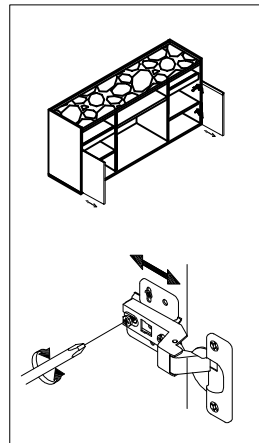


Step 20

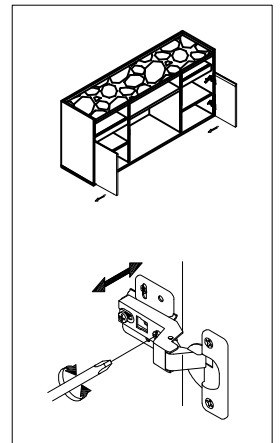
The Hinges can be adjusted in 3 directions when necessary



Door Up and Down Adjustment -
Loosen or Tighten the screws on the mounting plate.

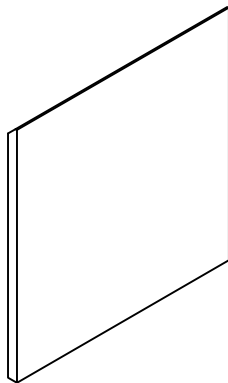


Door In and Out Adjustment -
Loosen or Tighten the back screw of hinge



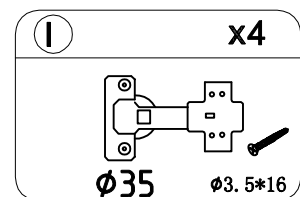
Door Left and Right Adjustment -
Loosen or Tighten the front screw of hinge

Parts

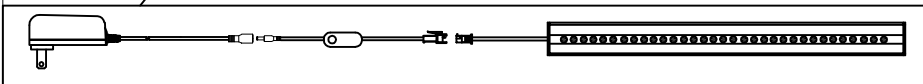
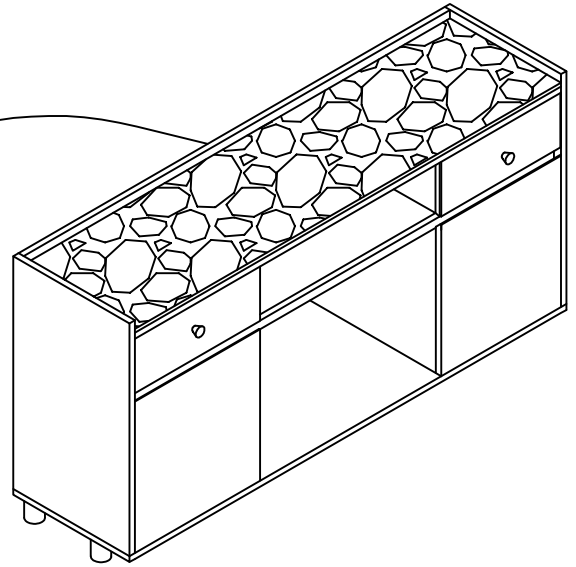
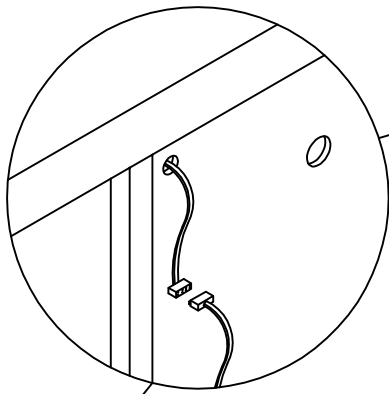


10 x2

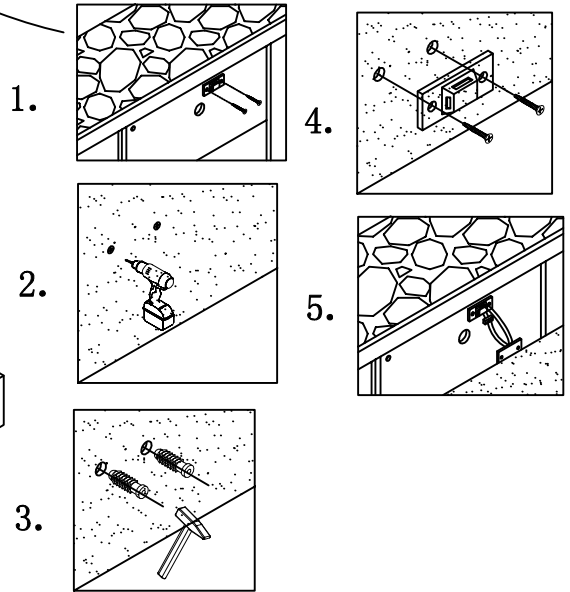
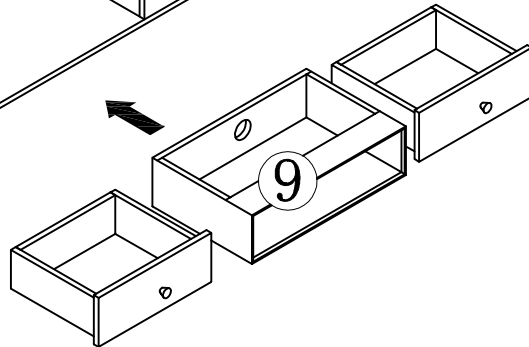
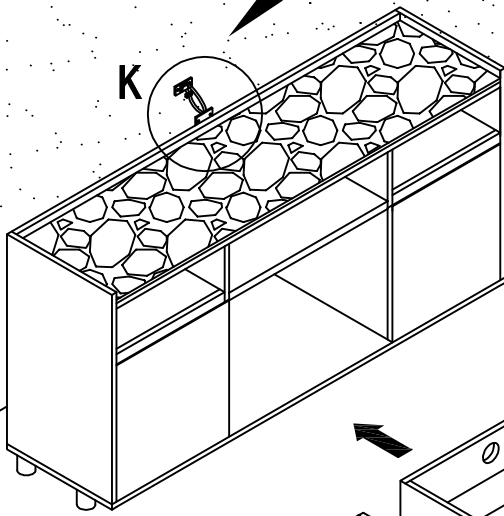
Hardware



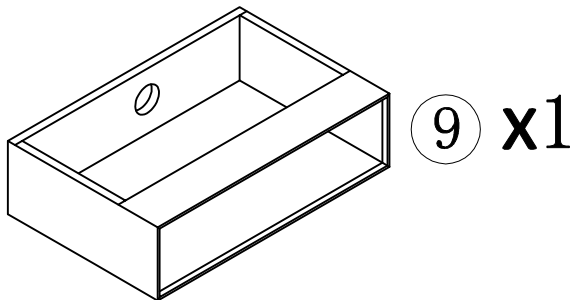
Step 21



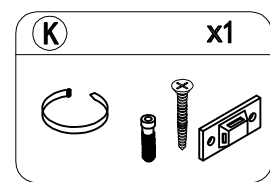
Step 22



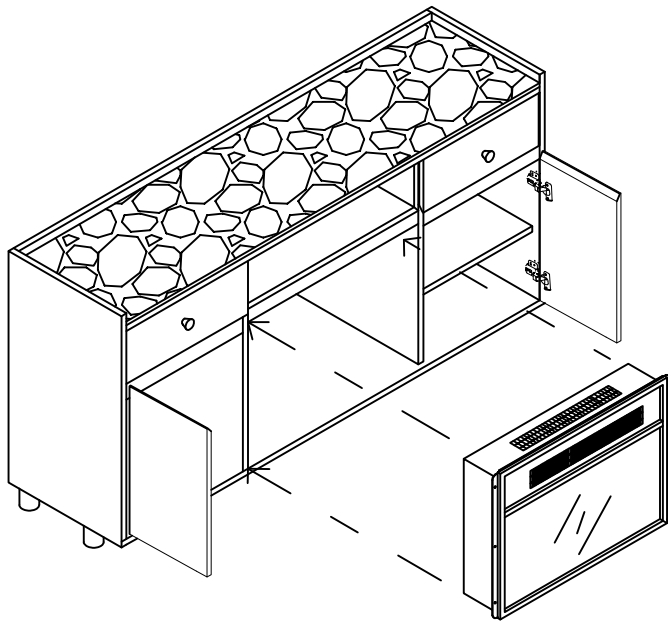
Parts



Hardware

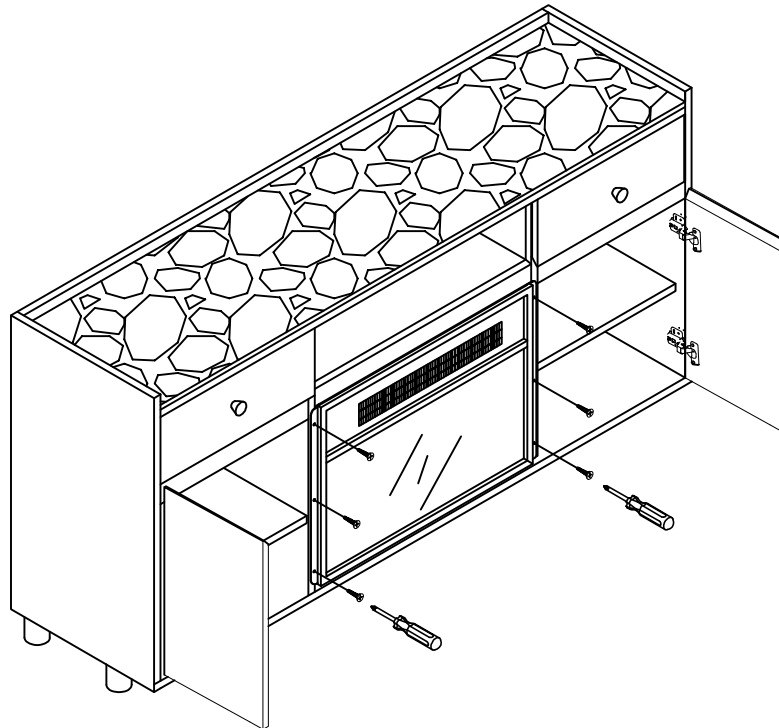


Step 23





Finish all the assembly of fireplace, then push into the furniture frame.

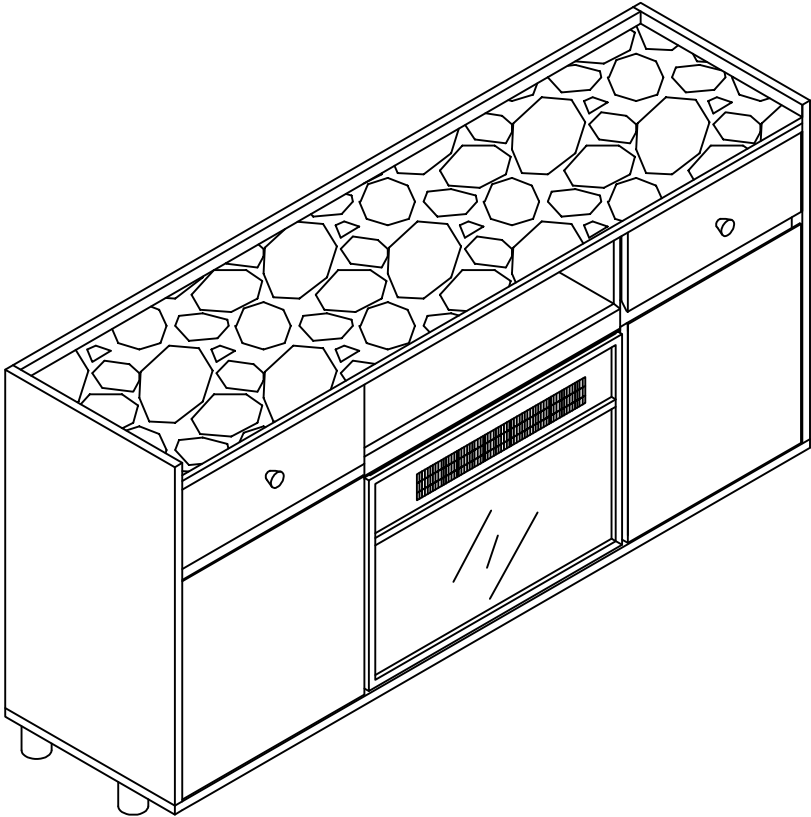
Step 24



Parts

Hardware

| | | | |
|---|----------------|-----------|-----------------------------------|
|  | M | x6 | Fix fireplace to wood frame only. |
|  | Ø3.5*14 | | |



I Illustration of Drawer Slides Taking apart and Installation

