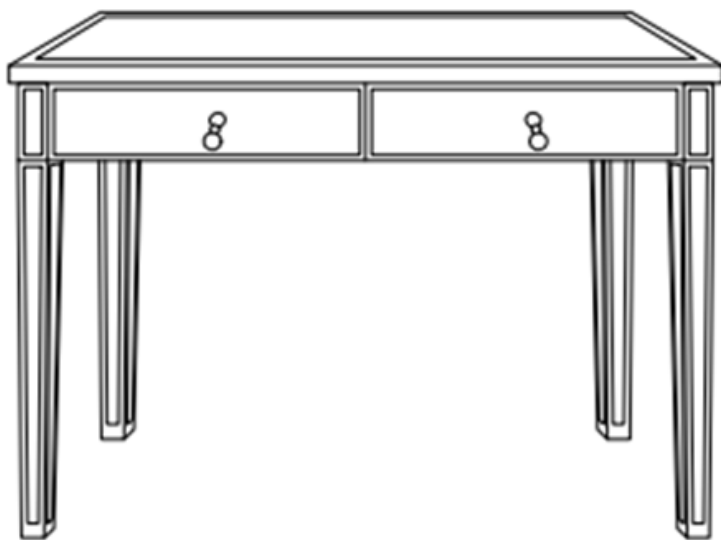


Console Table

Assembly Guide



IMPORTANT: please read these instructions fully before starting assembly



**SAFETY AND
CARE ADVICE**



NO POWER TOOLS

- Check you have all the components and tools listed
- Remove all fittings from their bags and separate into groups
- We do not recommend use of power tools - this could damage the unit. Only use hand screwdrivers and Allen keys
- Keep children and animals away from the work area, small parts could cause choking if swallowed
- Make sure you have enough space to lay out the parts before starting
- Assemble the item as close to its final position (same room) as possible
- Do not over tighten the nuts to avoid damage to the threads
- Only clean using a damp cloth and mild detergent. Do not use bleach or abrasive cleaners
- From time to time, check there are no loose screws in this unit
- This product should not be discarded with household waste. Take to your local authority waste disposal centre
- Unless otherwise stated, this product is designed for domestic use and is not certified for commercial or

IMPORTANT INFORMATION



20
Minute
Build








Two
Person Build
















30kg
Max Weight
Capacity

Note: Assembly estimates are approximate and can differ based on the specific environment and user experience.

WHAT'S IN THE BOX

Label	Part Name	Image	Quantity
A	Table Top		1 PC
B	Leg Frame		1 PC
C	Leg Frame		1 PC
D	Leg Frame		1 PC
E	Leg Frame		1 PC

Note: the quantities are the correct amount to complete the assembly. In some cases more fixings may be supplied than are required.

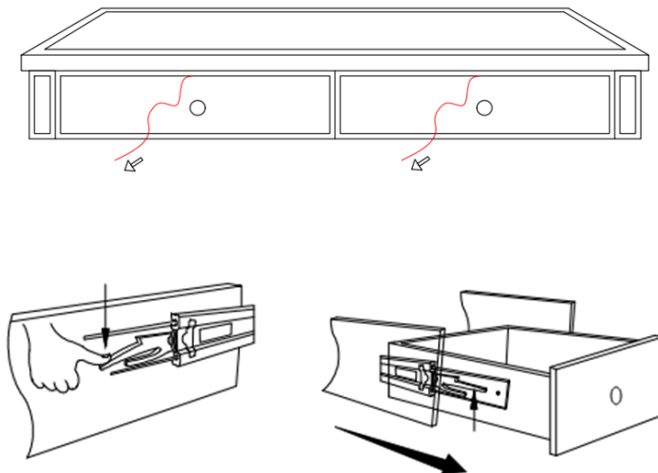
Label	Hardware Description	Image	Size (mm)	Quantity
H1	SCREW		D6*30mm	8 PCS
H2	WASHER		D20*2mm	8PCS
H3	SCREWDRIVER		20*260mm	1 PC
H4	BOLT 30MM		D4*35mm	2 PCS
H5	METAL WASHER		D12*2mm	2 PCS
H6	SILICONE WASHER		D14*2mm	2 PCS
H7	HANDLE		D30mm	2 PCS
H8	WALL BRAKET			2 PCS
H9	HOOP			4 PCS
H10	METAL STRAP			2 PCS
H11	PULL RING			2 PCS
H12	SCREW			4 PCS
H13	WALL PLUGS			4 PCS

Note:

- Use a clear, flat surface to avoid bumps or scratches before assembling.
- Insert all fixings loosely at first to allow for alignment; only tighten them once everything is properly positioned, as some adjustment may be required.
- Avoid over-tightening, as this may damage the parts.
- Seek assistance when moving large or heavy parts

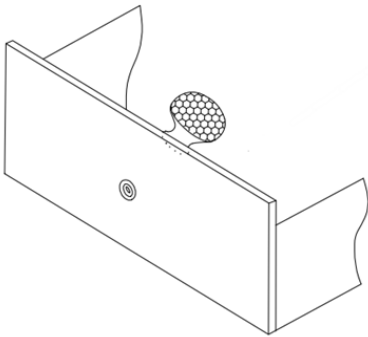
STEP 1





To facilitate assembly, remove the drawers from table top by pulling them out by the red rope. Locate and lift the left plastic tab up and press the right one down whilst gently pulling the drawer free. Repeat for the second drawer.

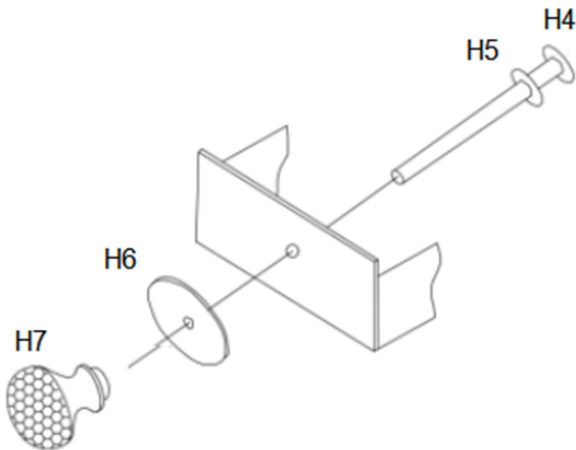


STEP 2

Remove the handle from inside the drawer by removing the screw and re-install to the front, by referring to the illustration. Repeat for the second drawer.



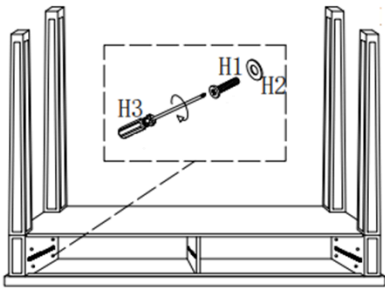
	Hardware	Quantities
H4		2 pcs
H5		2 pcs
H6		2 pcs
H7		2 pcs






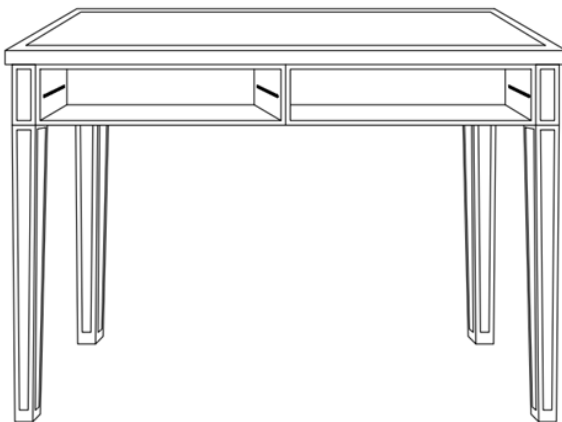
STEP 3

Carefully and with help place the table top (A) onto a soft surface upside down, attach the four leg frames (B, C, D, E) to the table frame with screws (H1), washers (H2) using screwdriver(H3).

After assembly, carefully and with help, flip the unit over.

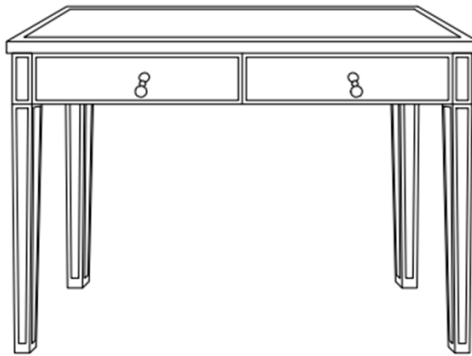
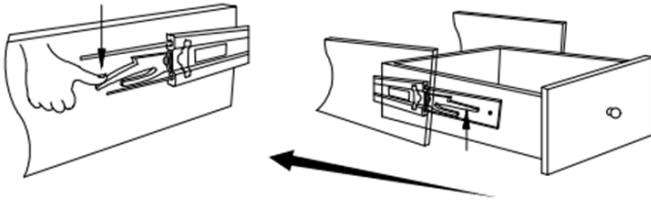


	Hardware	Quantities
H1		8 pcs
H2		8 pcs
H3		1 pc



STEP 4

Re-insert the drawer by first aligning the drawer with the runner, lift the left plastic tab up while pressing the right one down and gently push the drawer into the unit. Repeat for the second drawer.



Warning(s): For safety, this unit should be securely affixed to the wall using appropriate fixings for your wall type. Before drilling, always check for hidden pipes and electrical wires. If in doubt, please consult a professional or seek advice from your local hardware store. The provided anti-tipping kit is only suitable for masonry wall types.

STEP 5

Note: We recommend fitting bracket at a height just below the top of your unit so that it is not visible when the unit is in place.

Insert pull ring (H11) into bracket (H8)

Position the bracket (H8) on your wall and mark the holes to be drilled.

After drilling insert wall plugs (H13)

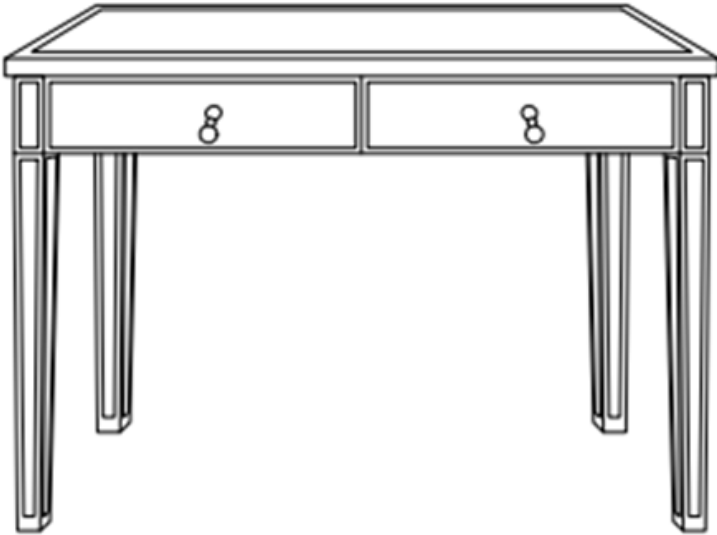
Attach bracket (H8) with pull ring (H11) already inserted, to the wall, using 2 x screws (H12) with screwdriver (H3). Repeat for the second anti-tip device

Attach the metal strap (H10) to the back of the unit using 1 x Hoop (H9). Ensure the Hoop (H9) is locked. Repeat for the second anti-tip device.

With help, carefully position your unit, attach metal strap (H10) using 1 x Hoop (H9) to the pull ring (H11) on the wall and repeat for the second anti-tip device.

STEP 6

The Console Table is now fully assembled





our 2 year GUARANTEE

Our products come with a 2 year guarantee, giving you extra peace of mind when shopping with us

What the guarantee covers



PRE-INSERTED FIXINGS



FAULTY JOINTS



EXTERNAL FIXING FAULTS



STRUCTURAL INTEGRITY
