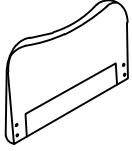


ASSEMBLY INSTRUCTIONS

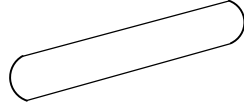
QUEEN BED

A Headboard



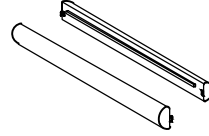
1 pc

B Footboard



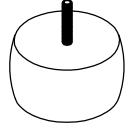
1 pc

C Side Rail



2 pcs

D Leg
(Stored in the back flap of headboard)



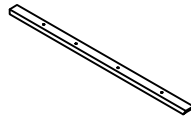
4 pcs

E Support Leg
(Stored in the back flap of headboard)



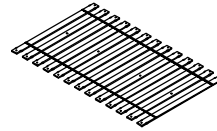
4 pcs

F Support Rail



1 pc

G Slat
(Stored in the back flap of headboard)



1 set (13 pcs)

H Screw
8 x 38mm
(Hardware pack stored in the back flap of headboard)

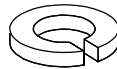


I Bolt
Ø5/16" x 32mm



8 pcs

J Spring Washer
Ø5/16" x 12mm



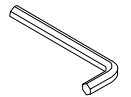
8 pcs

K Flat Washer
Ø5/16" x 19mm

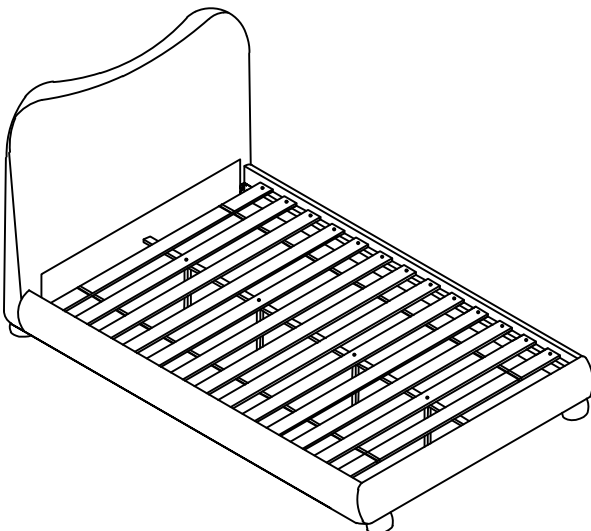


8 pcs

L Allen Wrench
5mm

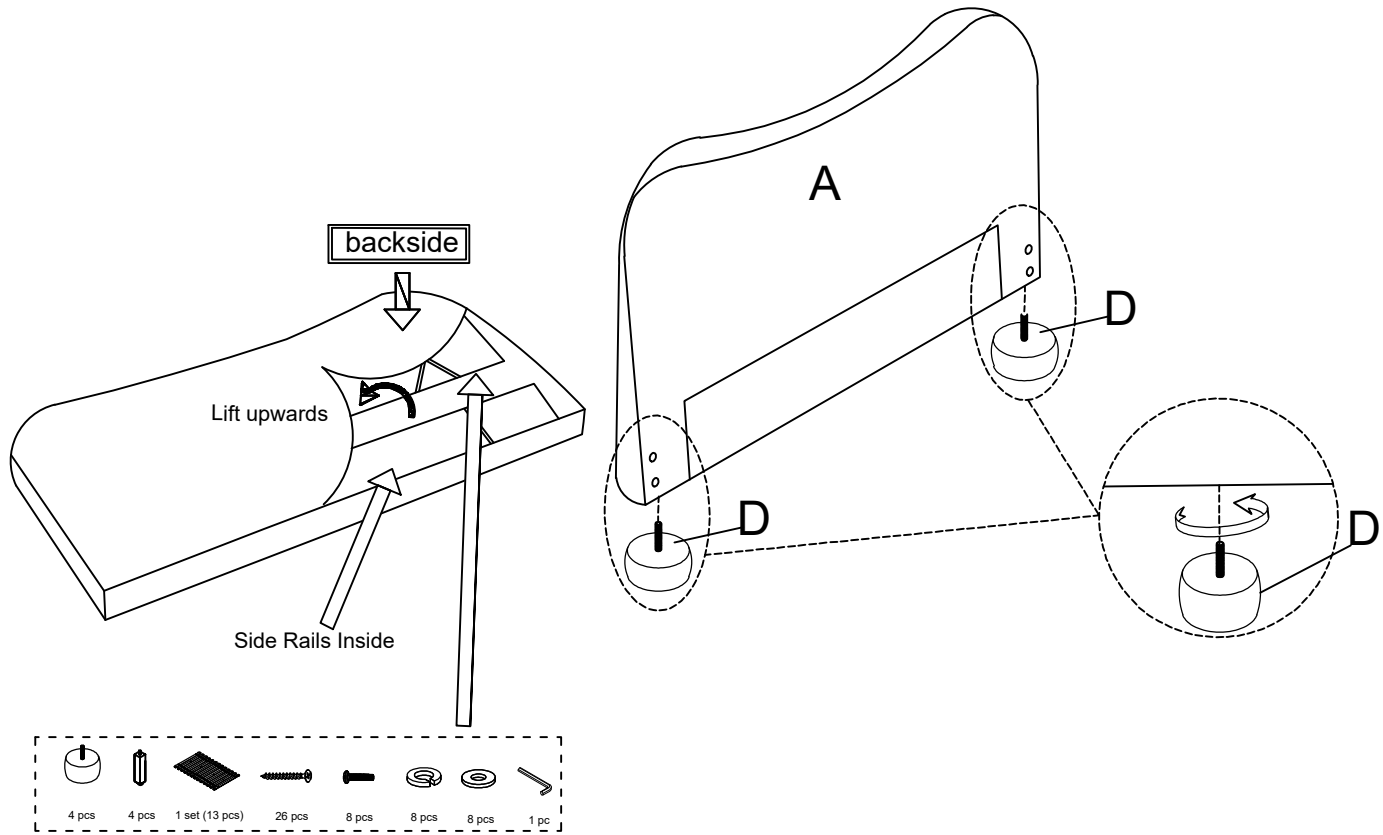


1 pc

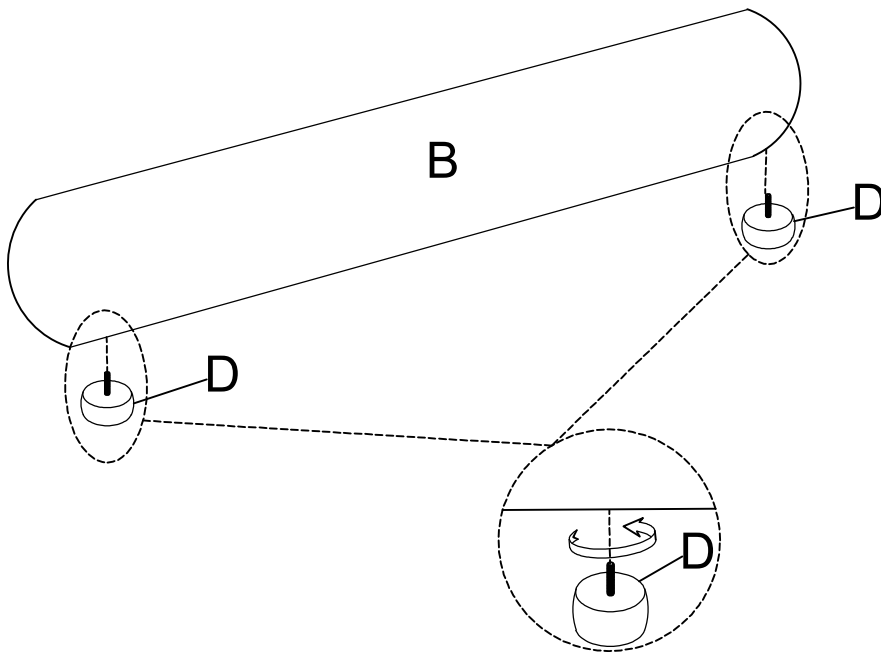


This page lists all the contents included in the box. Please take the time to identify the hardware as well as the individual components to this product. As you unpack and prepare for assembly, place the contents on a carpeted or padded area to protect them from damage.

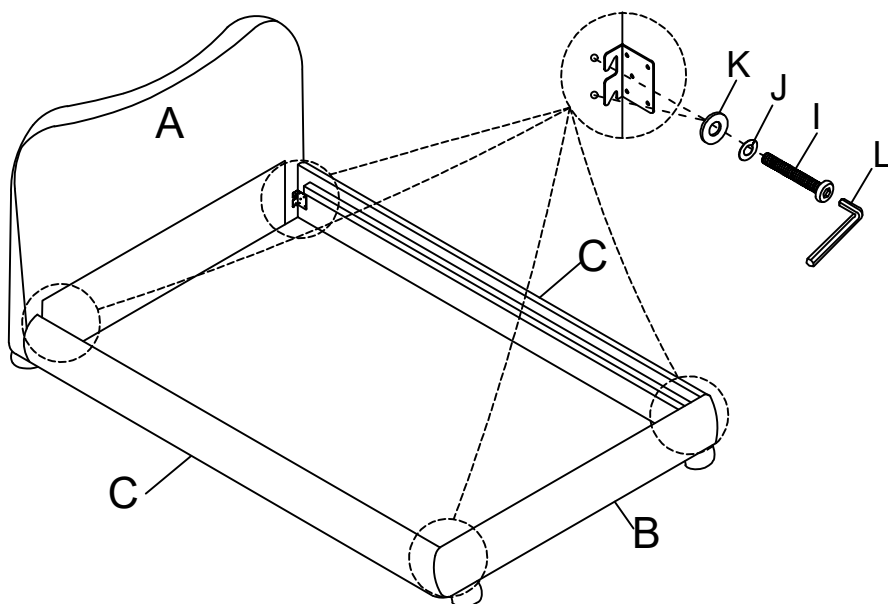
- 1** Take out the Leg (D), Support Leg (E), Slat (G) and hardware pack from the Headboard (A).
Attach the Leg (D) to the Headboard (A).



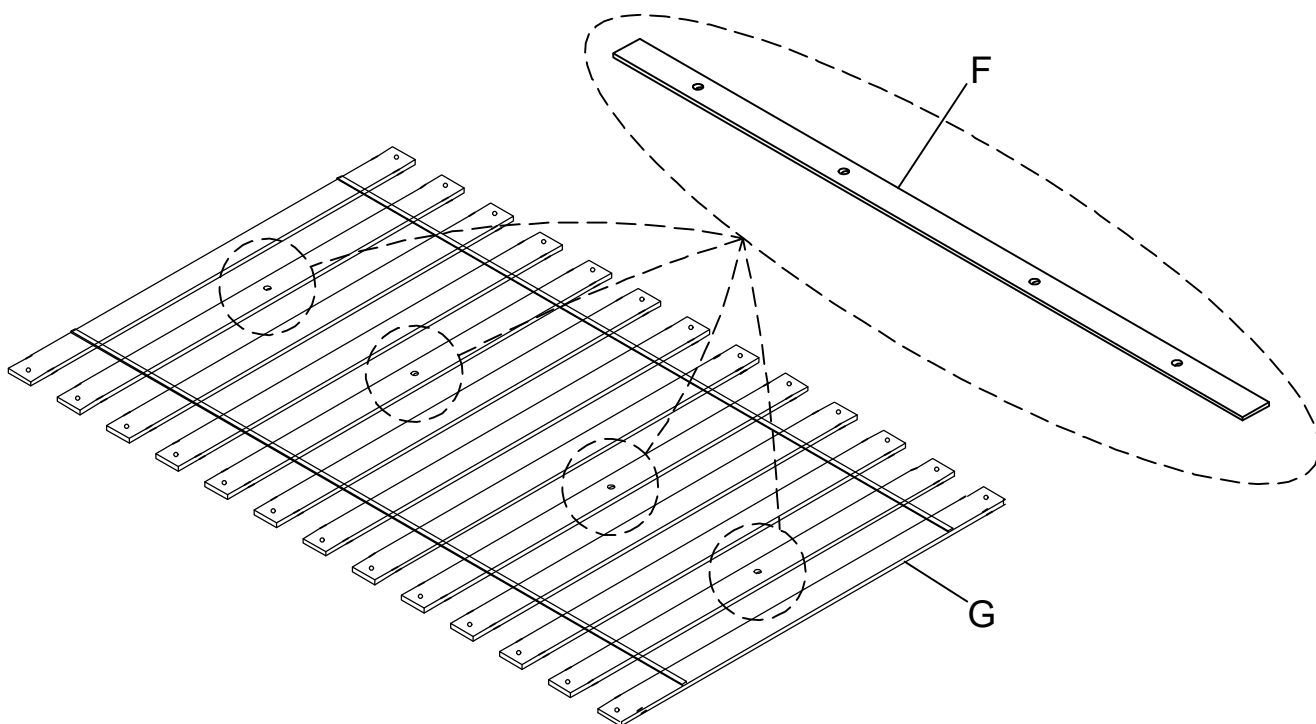
- 2** Attach the Leg (D) to the Footboard (B).



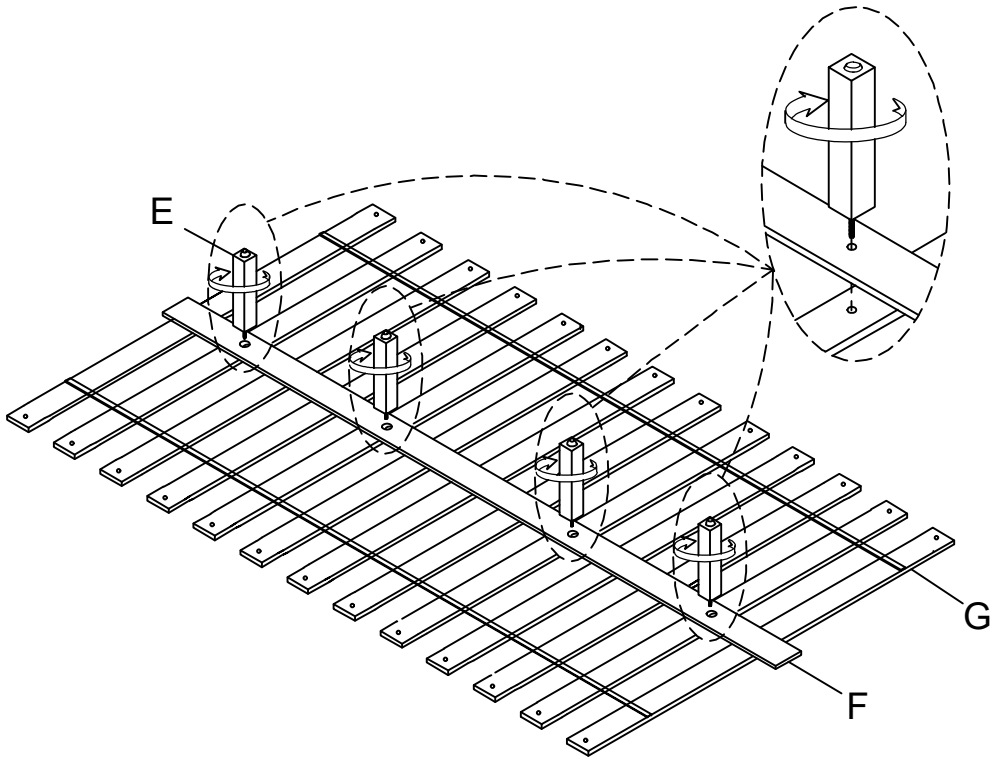
- 3** Attach the Side Rail (C) to the Headboard (A) and the Footboard (B) using Bolt (I), Spring Washer (J) and Flat Washer (K) with the Allen Wrench (L).



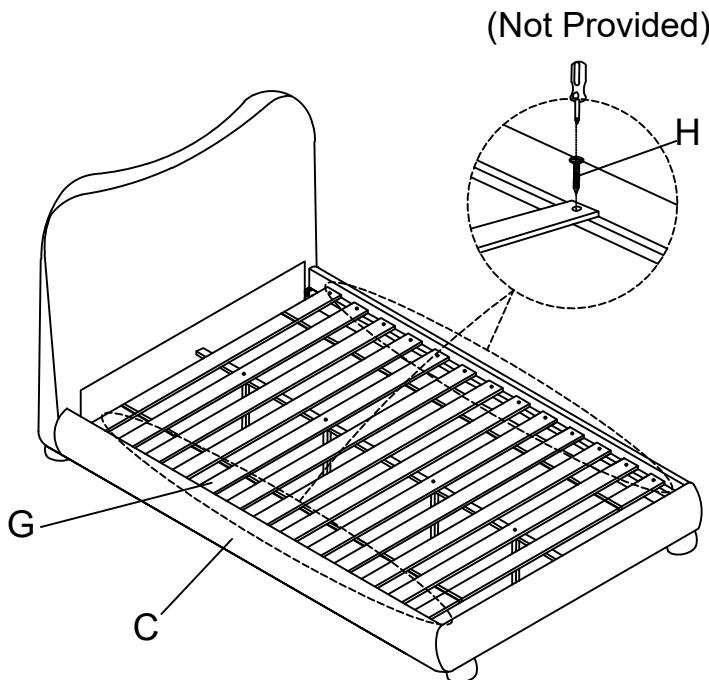
- 4** Align the Support Rail (F) with the holes of the Slat (G).



5 Turn the Support Leg (E) into the Support Rail (F) and the Slat (G).



6 Attach the Slat (G) to the Side Rail (C) using Screw (H) with a screwdriver (not provided).



Cleaning & Care

Treat surfaces with care. Surfaces are resistant to scratches but are not scratch resistant. Clean surfaces with a dry or damp soft cloth. Do not use abrasive cleaners. Hardware may loosen over time. Periodically check that all connections are tight.