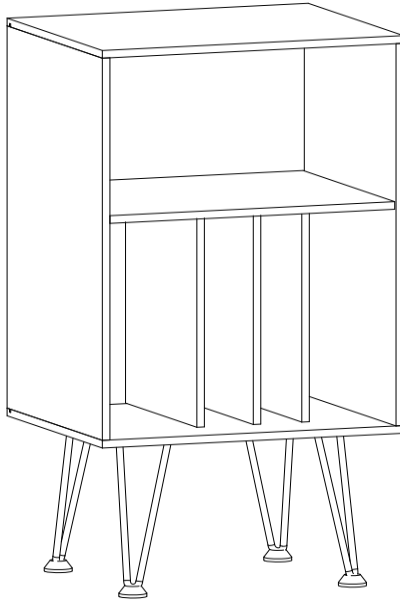


Installation & Assembly

Record Player Stand Rack



NEED HELP? CONTACT US!

This is the original instruction, please read all manual instructions carefully before operating. We reserves a clear interpretation of our user manual. The appearance of the product shall be subject to the product you received. Please forgive us that we won't inform you again if there are any technology or software updates on our product.

 **WARNING:**

Please read this manual carefully before using the product. Failure to do so may result in serious injury.

ASSEMBLY PRECAUTIONS

1. Assemble only according to these instructions. Improper assembly can create hazards.
2. Wear ANSI-approved safety goggles and heavy-duty work gloves during assembly.
3. Keep the assembly area clean and well-lit.
4. Keep bystanders out of the area during assembly.
5. Do not assemble when tired or when under the influence of alcohol, drugs or medication.
6. The product capabilities apply to properly and completely assembled products only.
7. Assemble on a flat, level, hard and smooth surface capable of safely supporting the Record Player Stand Rack.
8. For additional information regarding the parts listed in the following pages, please refer to the Assembly Diagram of this manual. Unwrap and separate all parts in a clean work area.

SAVE THESE INSTRUCTIONS

USE PRECAUTIONS

TO PREVENT SERIOUS INJURY AND DEATH FROM TIPPING:

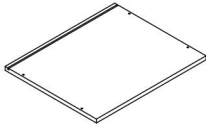
1. This product is not a toy. Do not allow children to play with or near this item.
2. Do not exceed weight capacities before moving.
3. Use only on a flat, hard and smooth surface capable of safely supporting a fully loaded Record Player Stand Rack.
4. Use as intended only.
5. Inspect before every use; do not use if parts are loose or damaged.

TECHNICAL SPECIFICATIONS

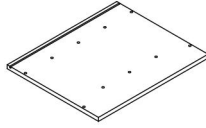
Product Dimensions (LxWxH)(mm)	480*400*860
Net Weight(kg)	About 17.54

*Products such as specifications, appearance, and design are subject to modification without prior notice.

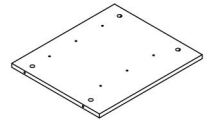
PACKAGE CONTENTS



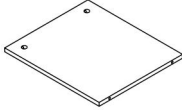
1 1pc



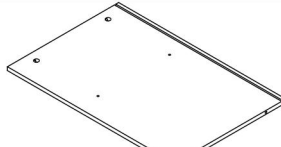
2 1pc



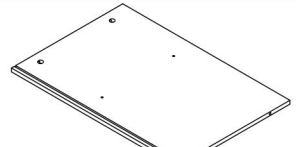
3 1pc



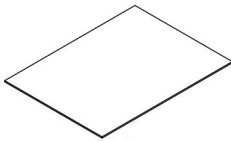
4 3pcs



5 1pc



6 1pc



7 2pcs



8 4pcs



A
14pcs



B
M7X50MM
10pcs



C
14pcs



Q
M5X14MM
20pcs



P
M3 5X12MM
4pcs



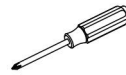
U
4pcs



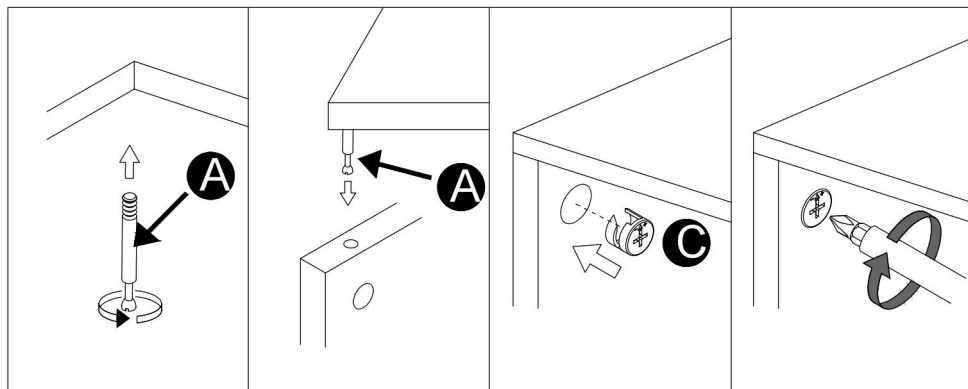
W
1pc



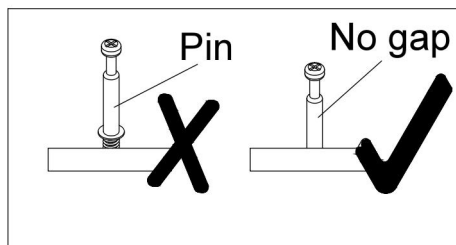
Y
4pcs



Screw the pin into the hole. To set the cams correctly, ensure that the arrow on the cam is opening to the hole of the pin it is locking. Lock the cam by turning the cam head with a screwdriver until it is tightened. Please do not use an electric screwdriver to assemble the unit.

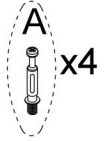
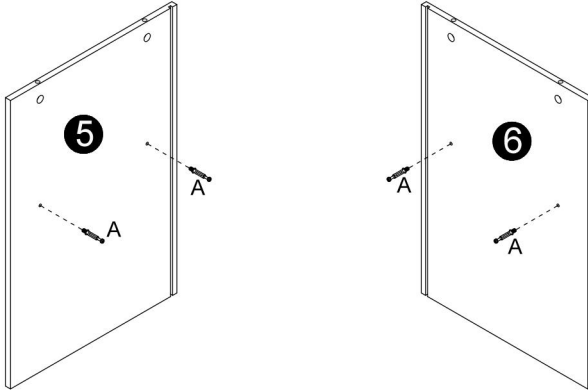


Read each step carefully before starting. It is very important that each step of instruction is performed in the correct order. If these steps are not followed in sequence, assembly difficulties will occur.

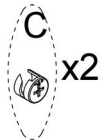
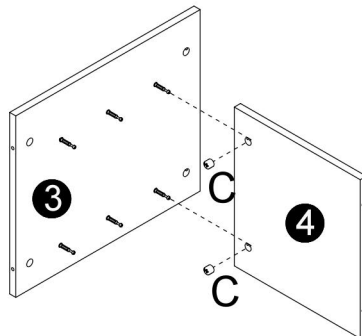
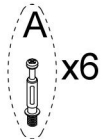
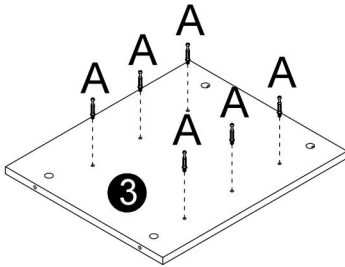


ASSEMBLY STEPS

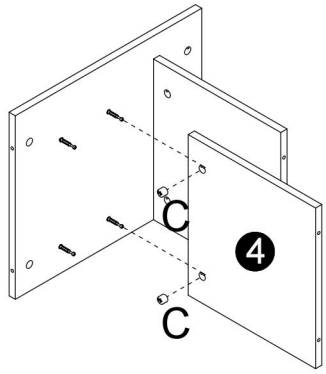
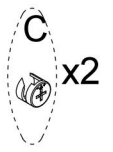
1



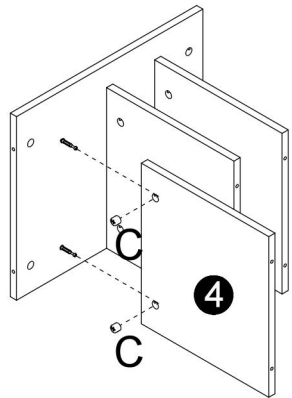
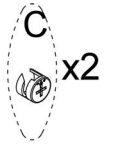
2



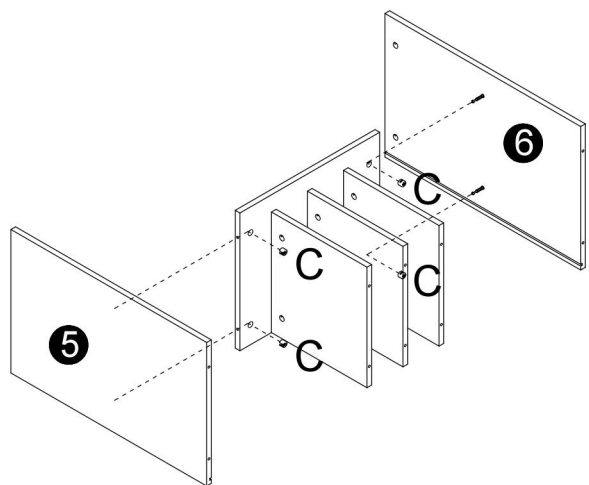
3



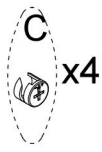
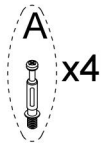
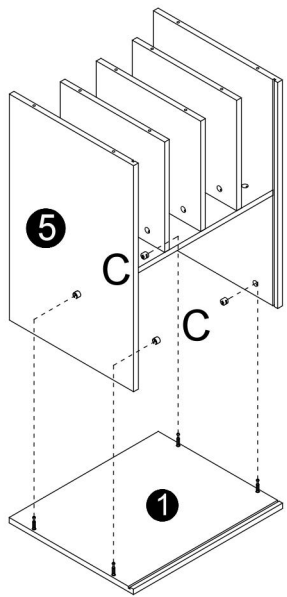
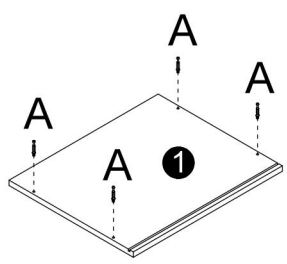
4



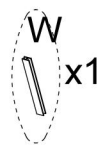
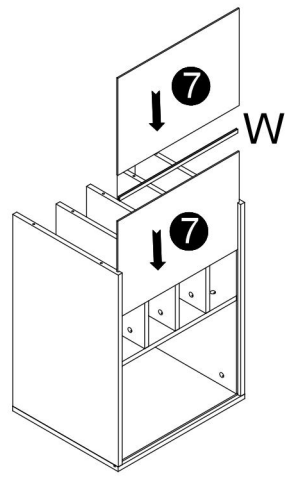
5



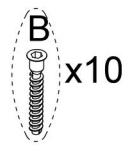
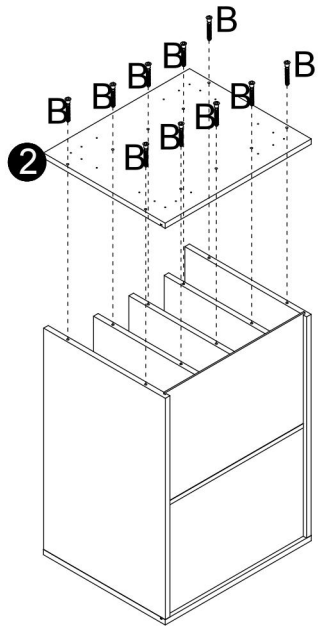
6



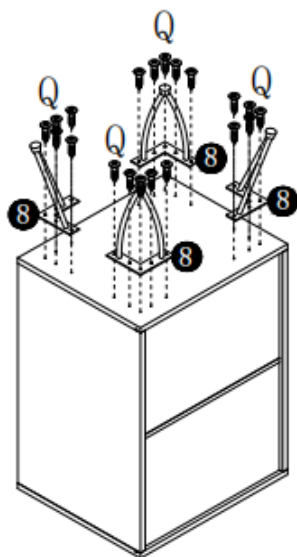
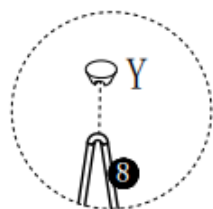
7



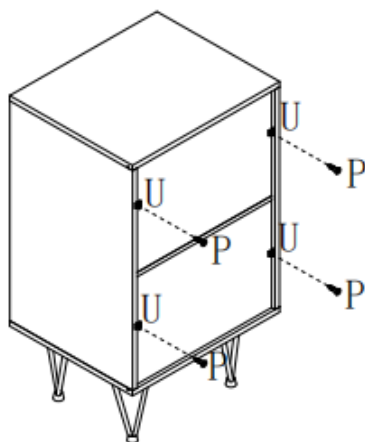
8



9



10



COMPLETION

