

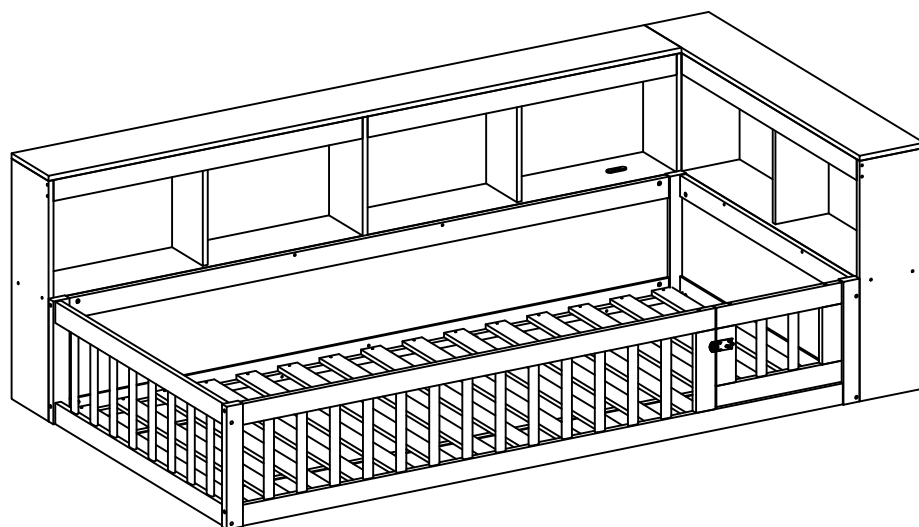
# ASSEMBLY INSTRUCTIONS

## Bed 90 × 190

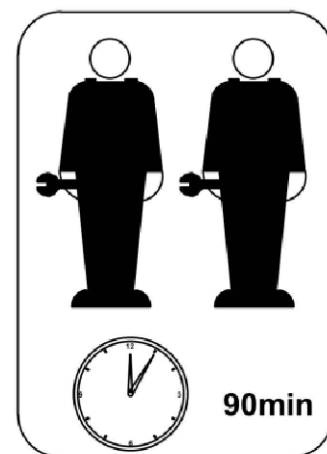
ITEM NUMBER:

N652P454811

N652P454812



This set comes in 2 boxes. If you do not receive a full 2 boxes, please contact our customer service.



# INSTRUCTIONS

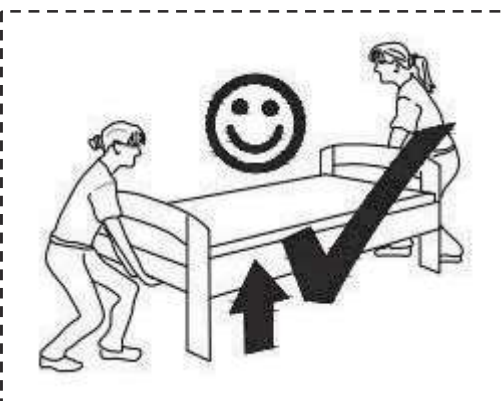
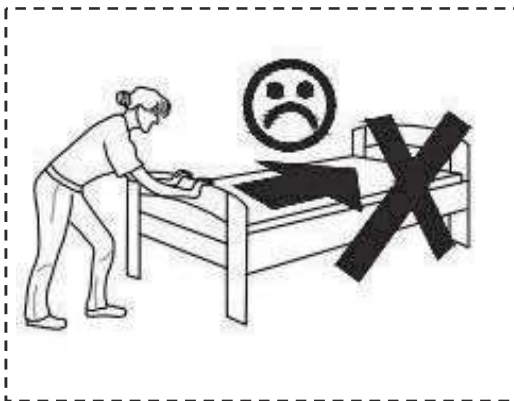
## IMPORTANT-READ CAREFULLY-RETAIN FOR FUTURE REFERENCE

- a) **WARNING** -Children can become trapped between the bed and the wall, the adjoining pieces of furniture (e.g. cupboards) and the like. To avoid risk of serious injury the distance between the safety barrier and the adjoining structure shall not exceed 90 mm or shall be more than 230 mm.
- b) **WARNING**-Do not use the bed if any structural part is broken or missing; Replacement parts are between requested from the manufacturer or the store.
- c) **WARNING**-Do not climb or wiggle on any non-designated structures.
- d) it is imperative to always follow the installation instructions and manufacturer's use.
- e) The recommended size of the mattress to be used with the bed is 190cmx90cm.
- f) It is necessary to ventilate the room in order to maintain a low level moisture and prevent mold growth in the bed and its periphery.
- g) Joining devices should always be tightened properly and regularly verified. Tighten if necessary.

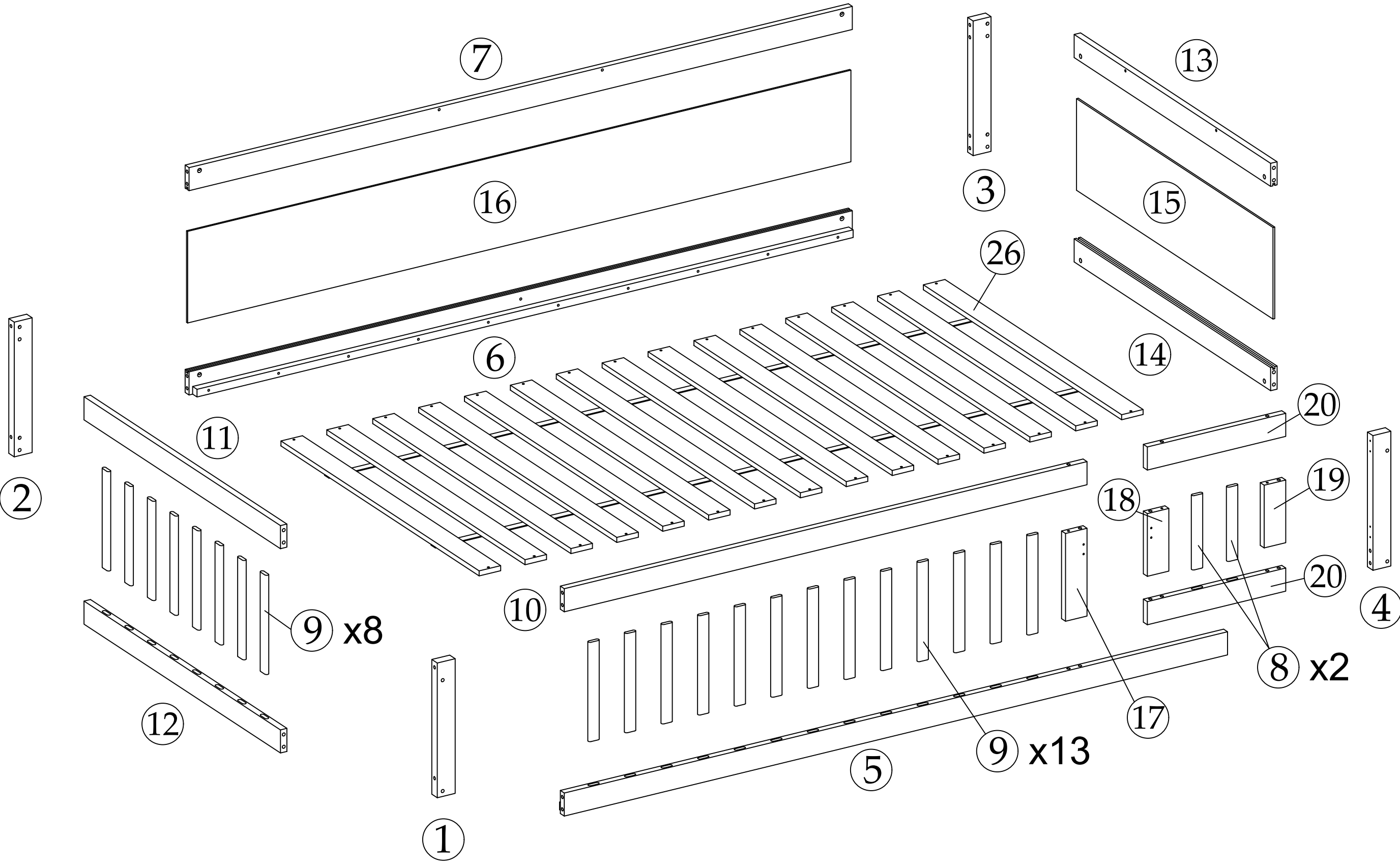
English

IMPORTANT ! KEEP FOR FUTURE REFERENCE : READ CAREFULLY

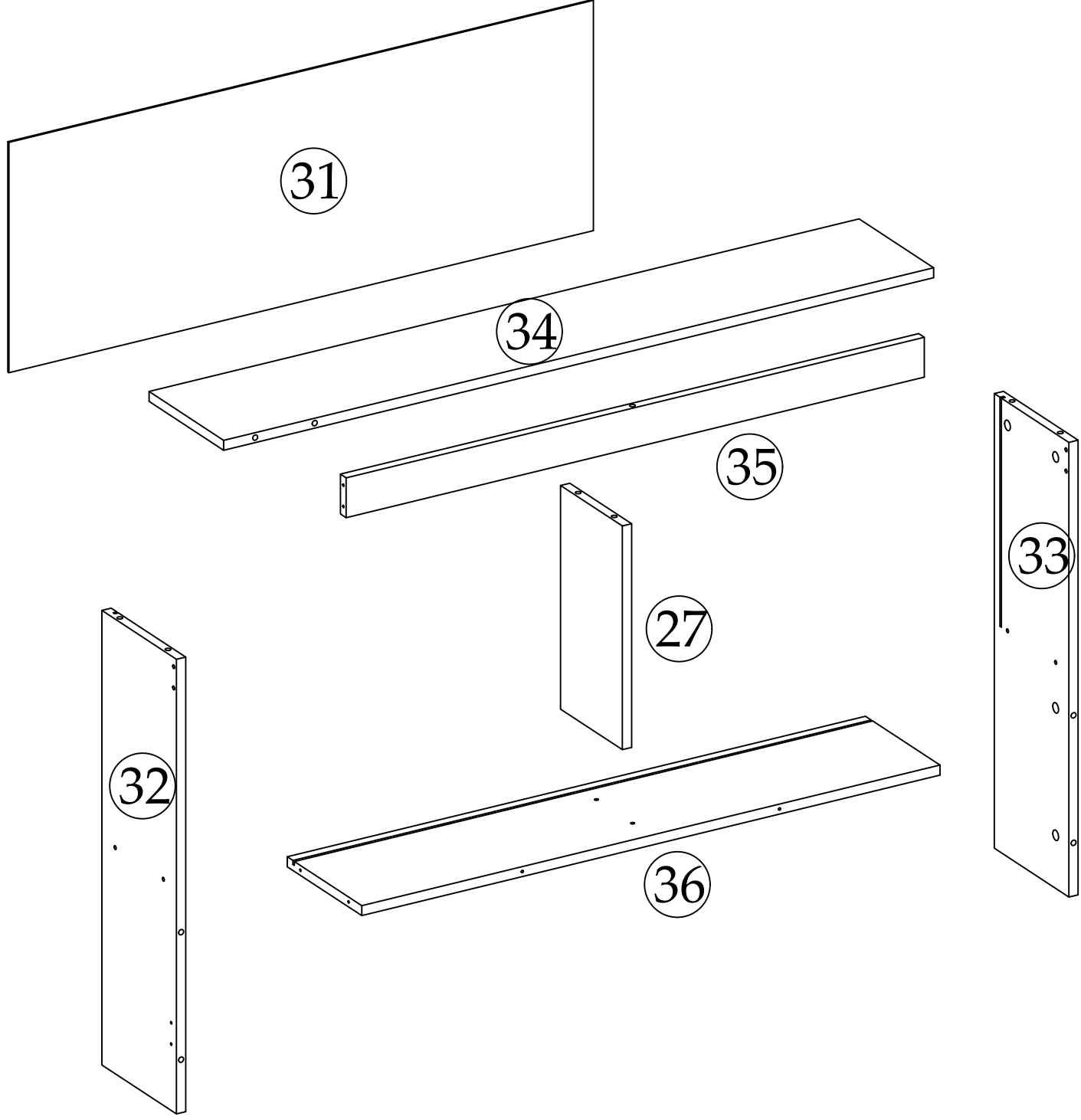
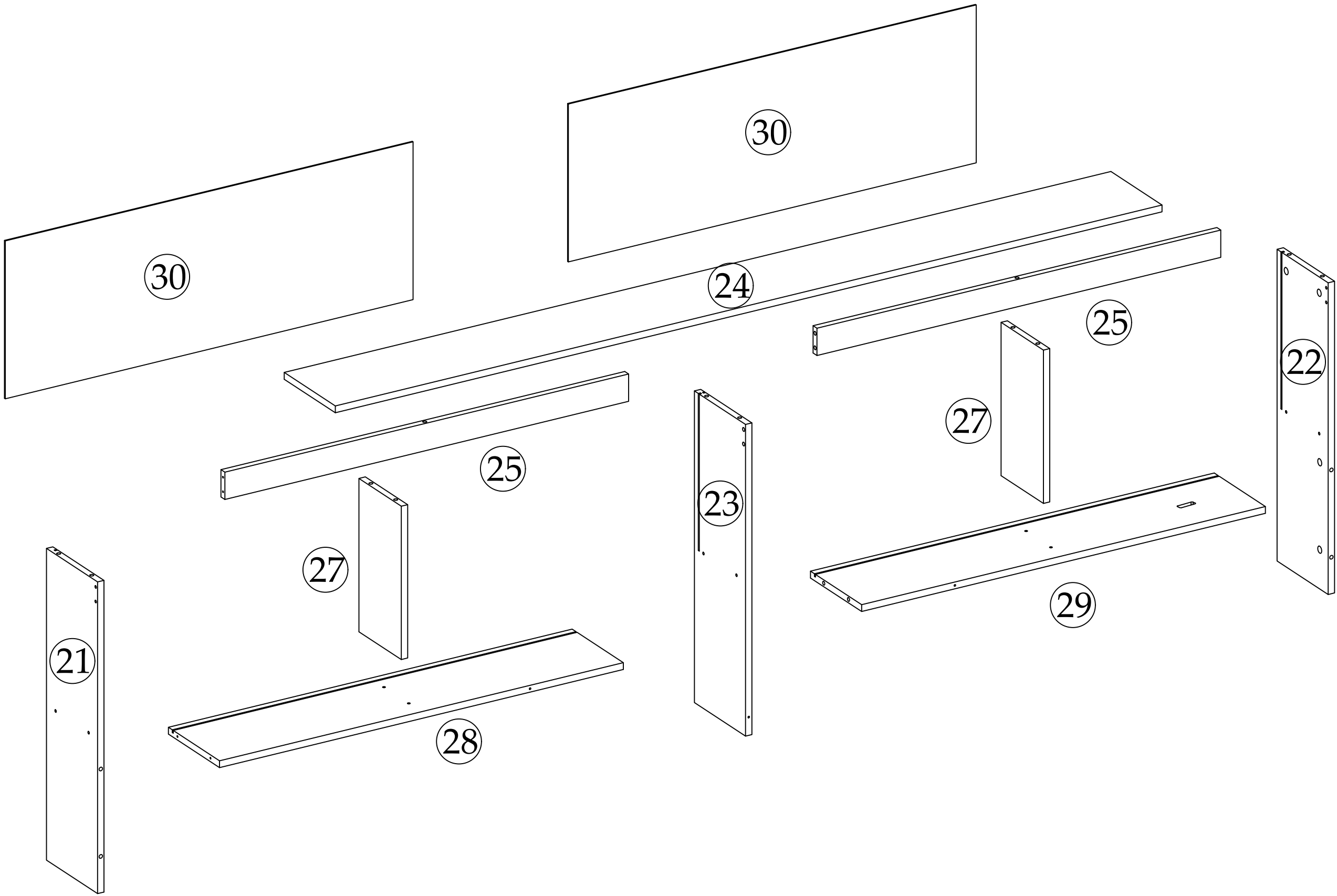
- To be assembled by an adult. Assembly must be checked by an adult before use
- **WARNING !** Keep all screws, small parts and plastic bags out of the reach of children
- Properly identify all parts before assembling
- Never use your item if any of its parts are broken or missing
- Should any problems arise, please contact our After Sales Service
- Manufacturer's instructions shall be followed at all times
- Care: Clean with a soft, dry cloth. In case of larger stains, carefully rub with a slightly damp, non-abrasive sponge
- Avoid the risk of fire by not placing furniture near sources of ignition or hot items
- Do not jump on the bed



# ASSEMBLY INSTRUCTIONS


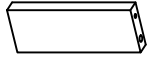



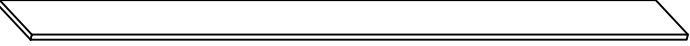
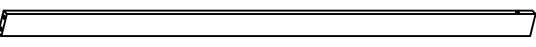
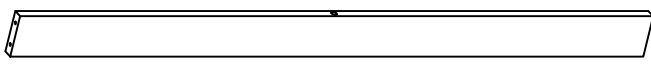
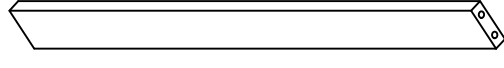
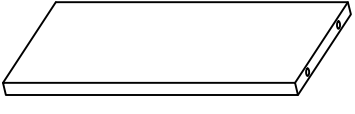
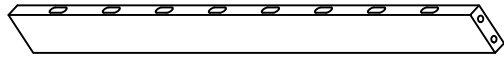
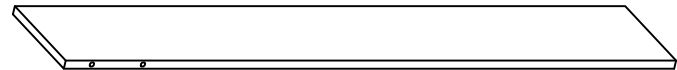
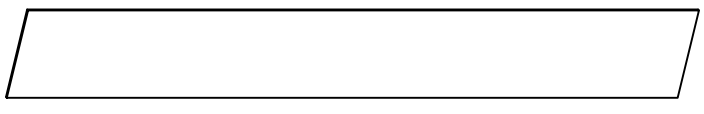
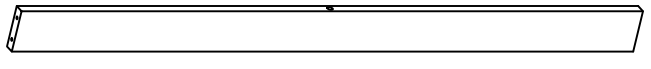
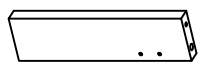
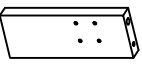


# ASSEMBLY INSTRUCTIONS



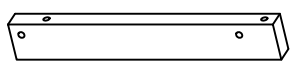
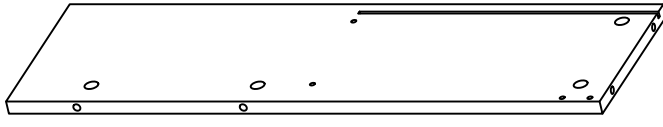
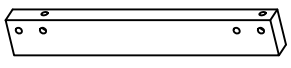
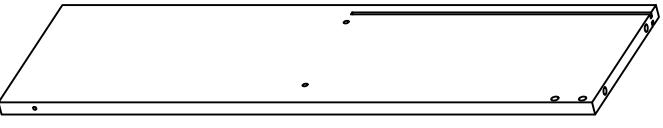
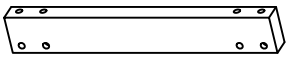
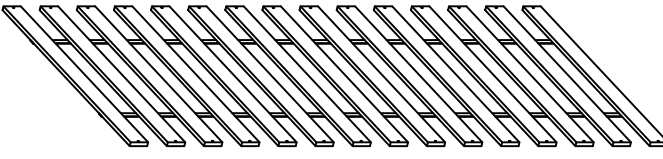
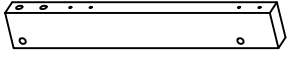
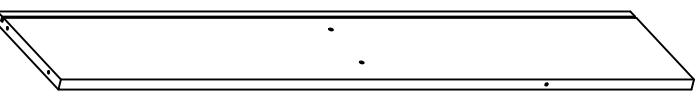
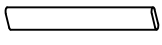
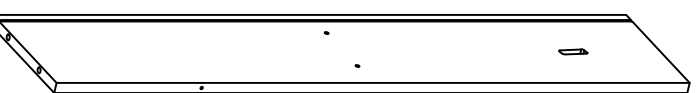
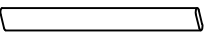

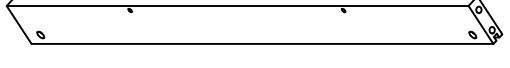

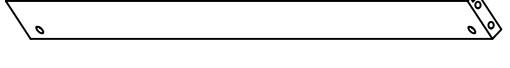

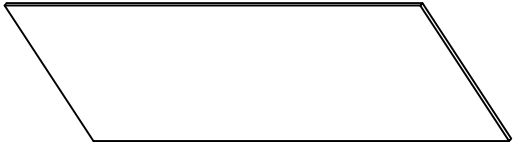
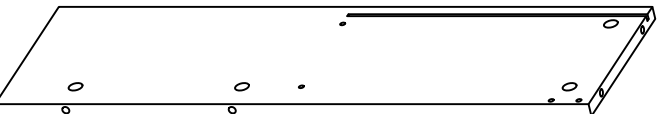
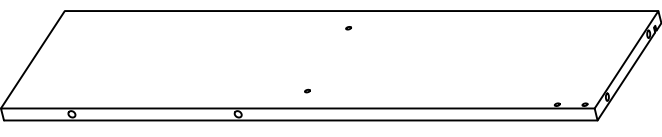
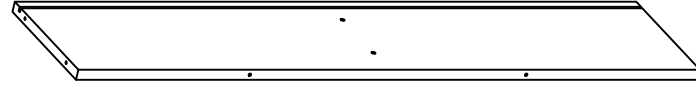
# ASSEMBLY INSTRUCTIONS

## N652P454811

5		1PC	19		1PC
6		1PC	20		2PCS
7		1PC	24		1PC
10		1PC	25		2PCS
11		1PC	27		3PCS
12		1PC	34		1PC
16		1PC	35		1PC
17		1PC			
18		1PC			




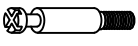






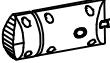




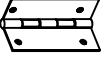


# ASSEMBLY INSTRUCTIONS

## N652P454812

1		1PC	22		1PC
2		1PC	23		1PC
3		1PC	26		1PC
4		1PC	28		1PC
8		2PCS	29		1PC
9		21PCS	30		2PCS
13		1PC	31		1PC
14		1PC	32		1PC
15		1PC	33		1PC
21		1PC	36		1PC
Hardware box		1PC			

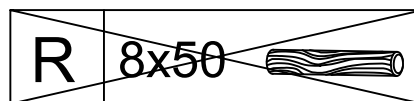
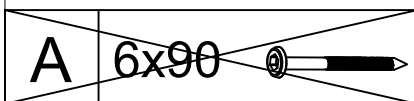
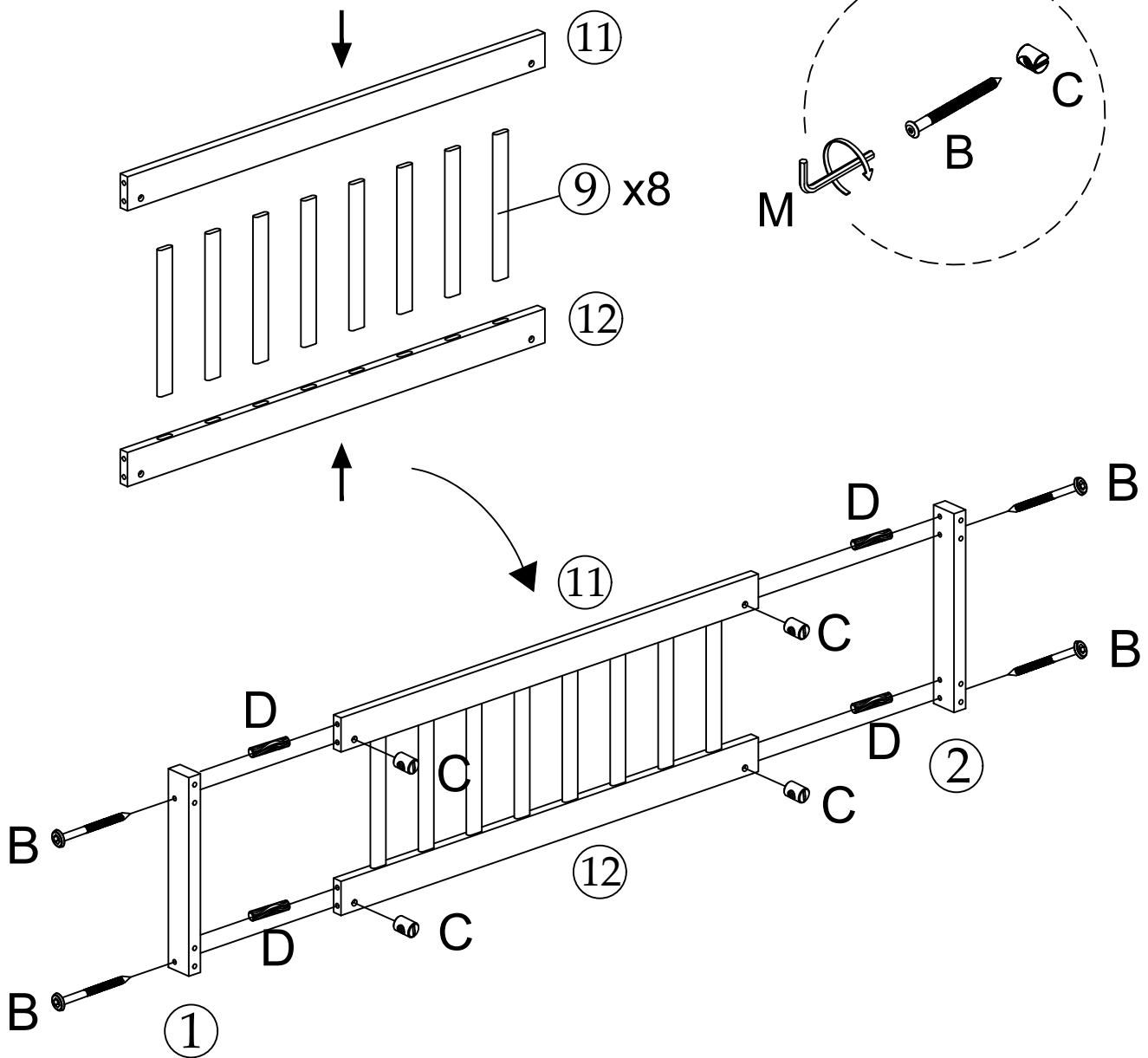
# ASSEMBLY INSTRUCTIONS

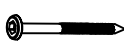



## N652P454812 — Hardware box

A	6x90		7PCS	J	3x14		20PCS
B	6x70		8PCS	K	6x40		26PCS
C			15PCS	L			26PCS
D	8x30		24PCS	M	M4		1PC
E	5x40		29PCS	N	4x30		30PCS
F			1PC	O			1PC
G	M3		1PC	P	6x100		6PCS
H			1PC	Q			2PCS
I			1PC	R	8x50		2PCS

# ASSEMBLY INSTRUCTIONS

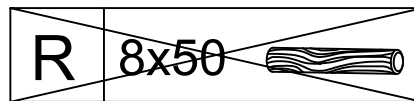
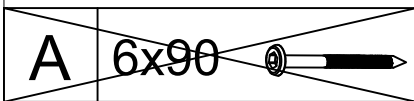
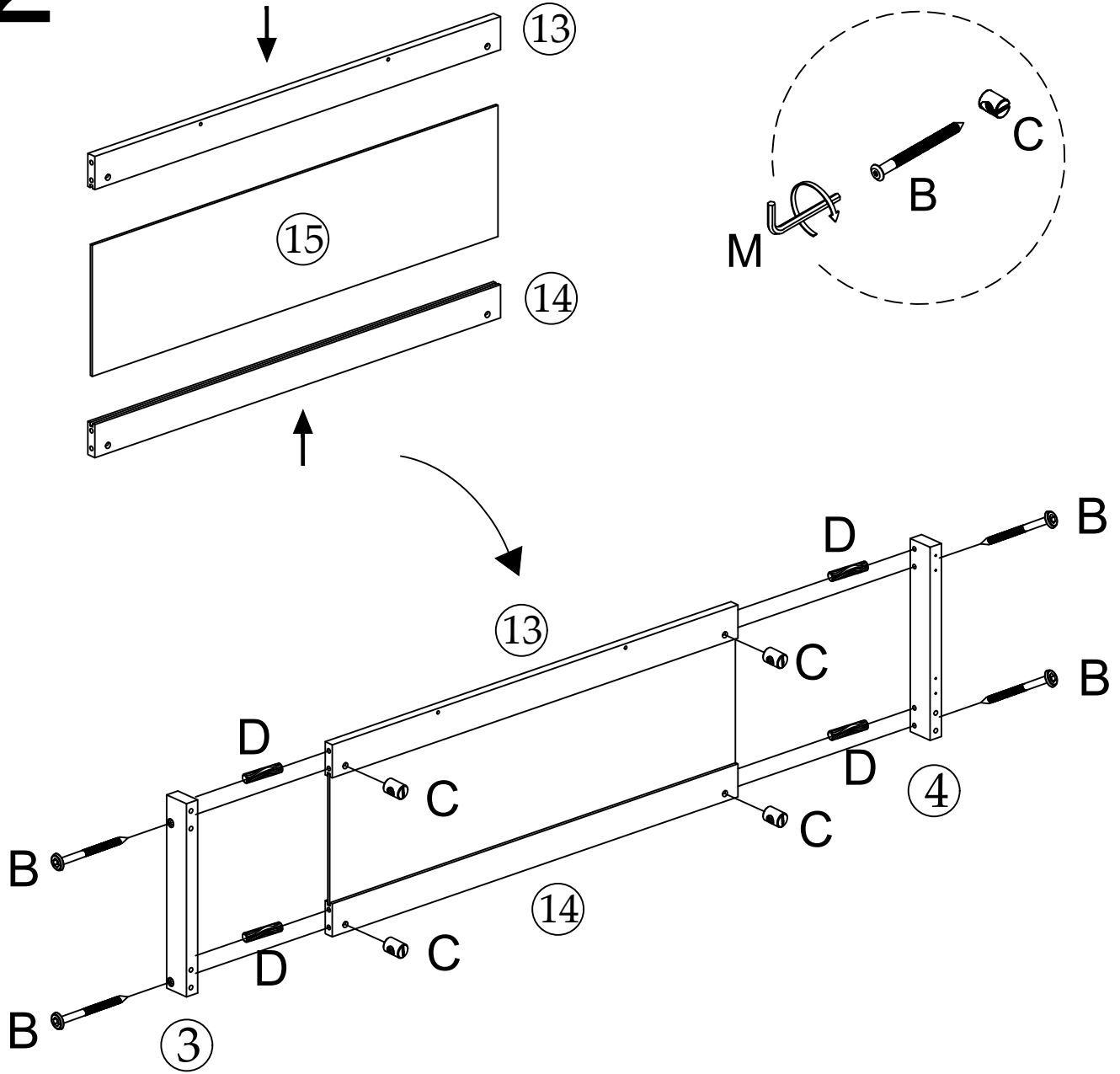
# 1



<b>B</b>	6x70		4PCS	<b>D</b>	8x30		4PCS
<b>C</b>			4PCS	<b>M</b>	M4		1PC

# ASSEMBLY INSTRUCTIONS

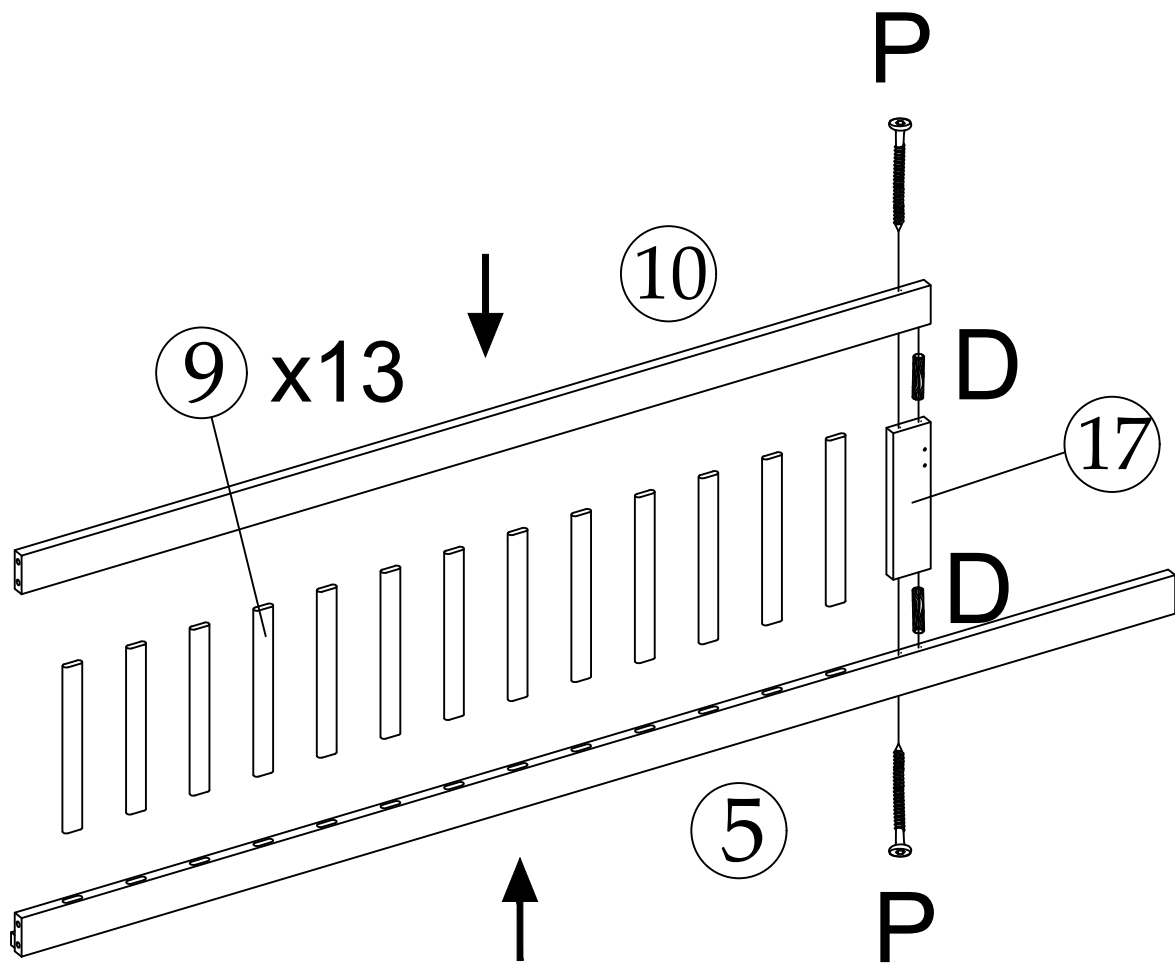
## 2







<b>B</b>	6x70		4PCS	<b>D</b>	8x30		4PCS
<b>C</b>			4PCS	<b>M</b>	M4		1PC

# ASSEMBLY INSTRUCTIONS

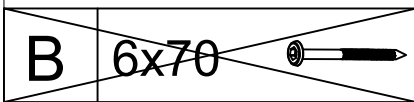
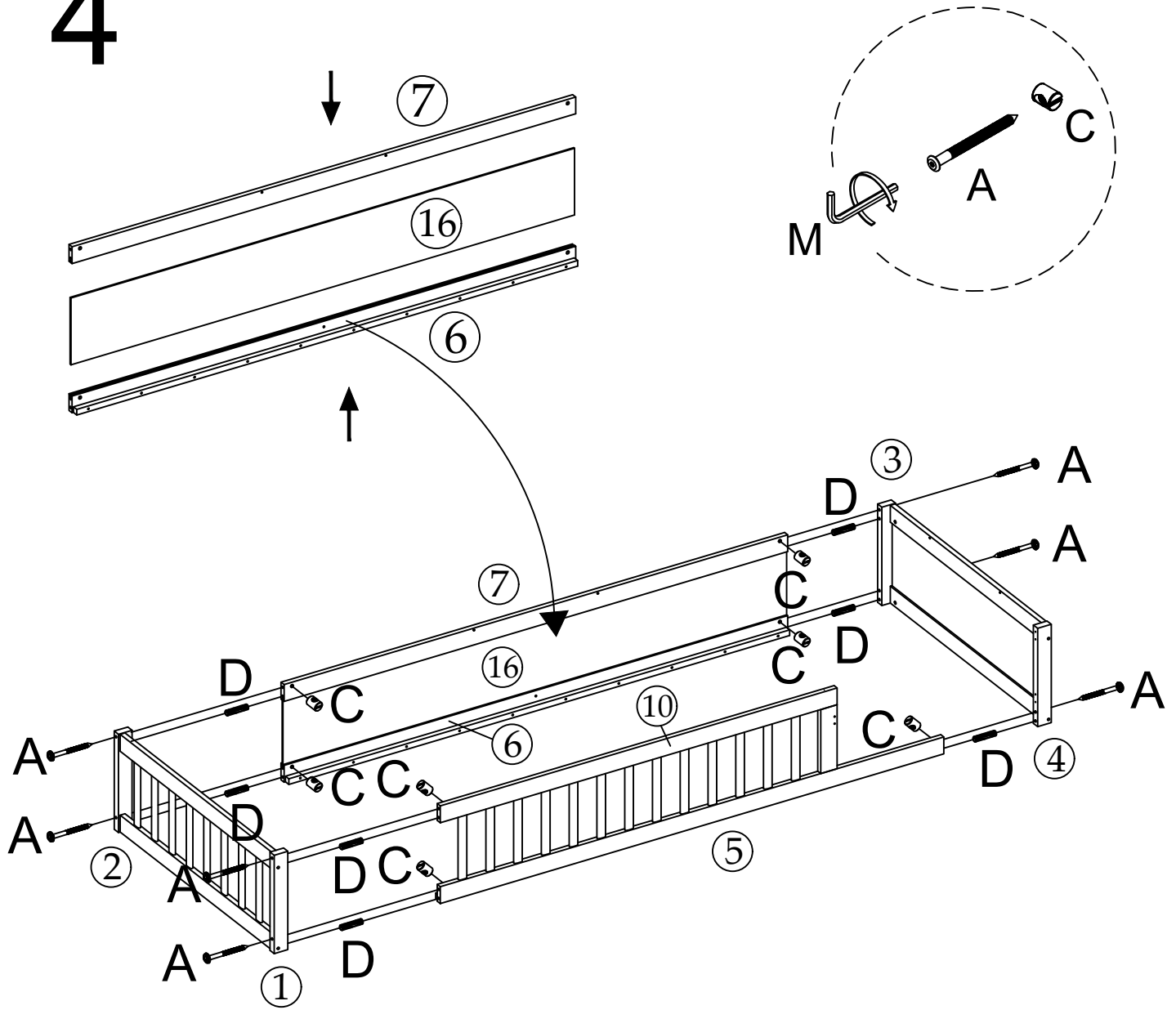
## 3



P	6x100 	2PCS	R	8x50 	
M	M4 	1PC	D	8x30 	2PCS

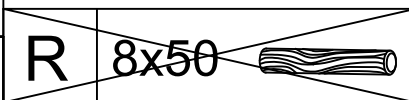
# ASSEMBLY INSTRUCTIONS

## 4



A	6x90		7PCS
---	------	--	------

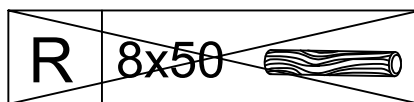
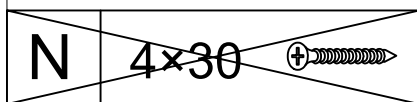
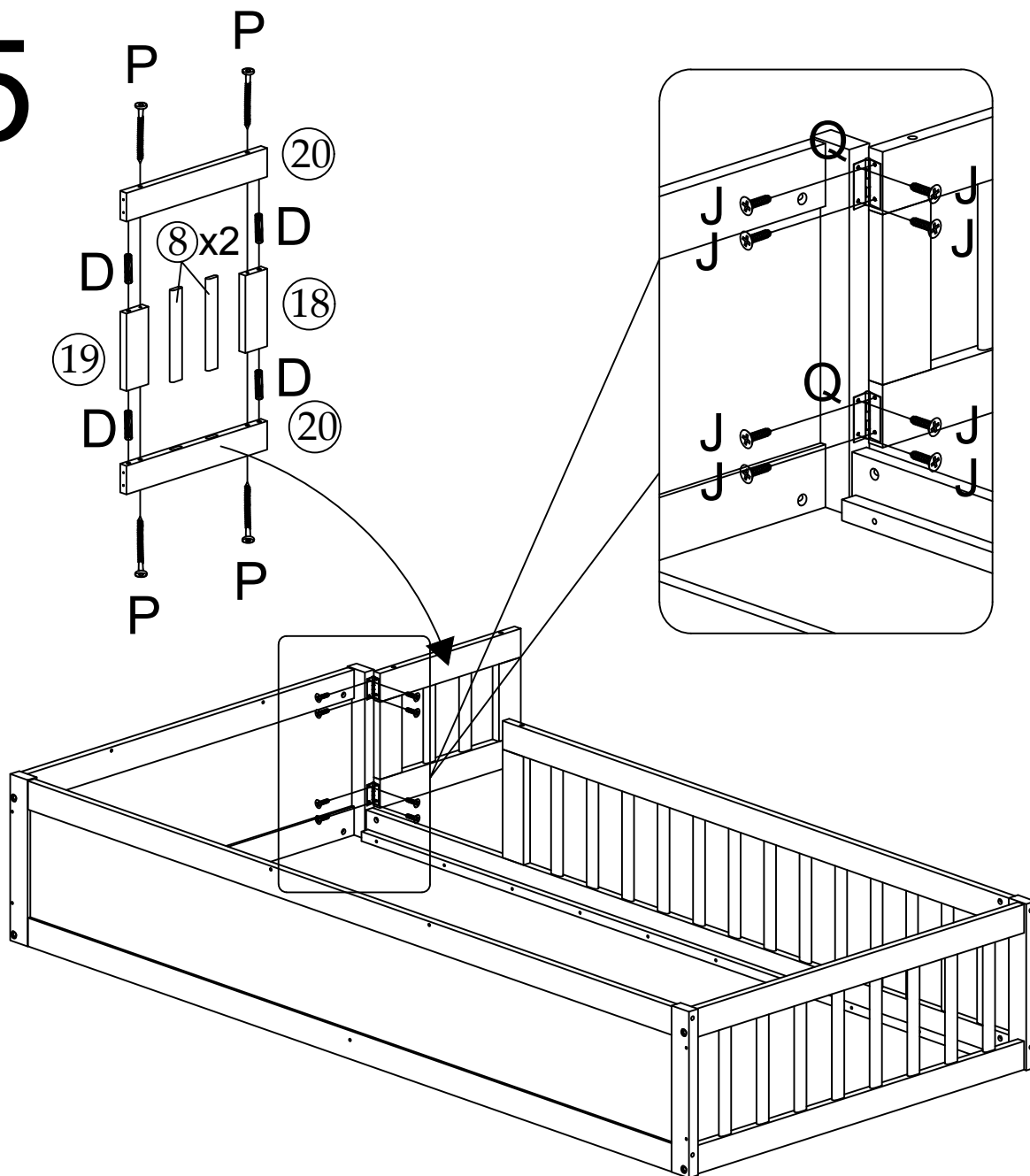
C			7PCS
---	--	--	------



M	M4		1PC	D	8x30		7PCS
---	----	--	-----	---	------	--	------

# ASSEMBLY INSTRUCTIONS

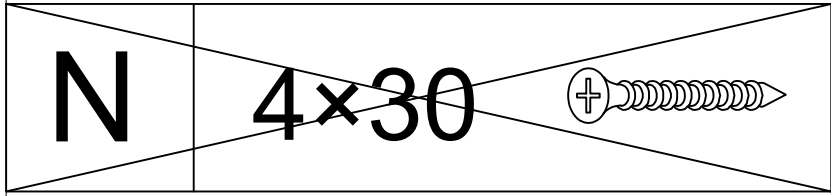
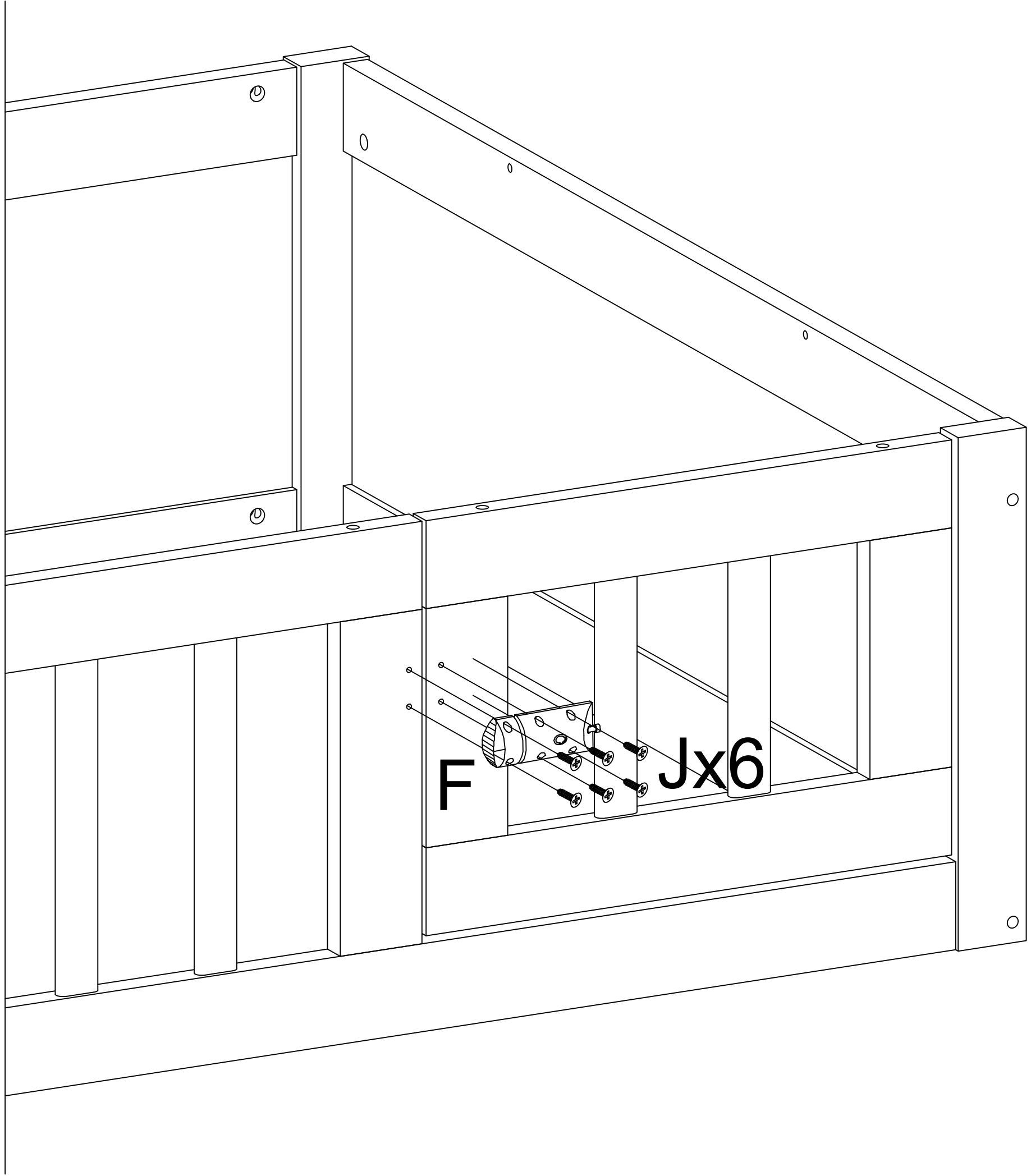
## 5

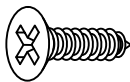


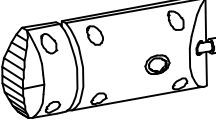
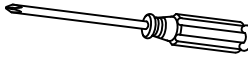
J	3x14		8PCS	D	8x30		4PCS
Q			2PCS	P	6x100		4PCS
H			1PC	M	M4		1PC

# ASSEMBLY INSTRUCTIONS

# 6

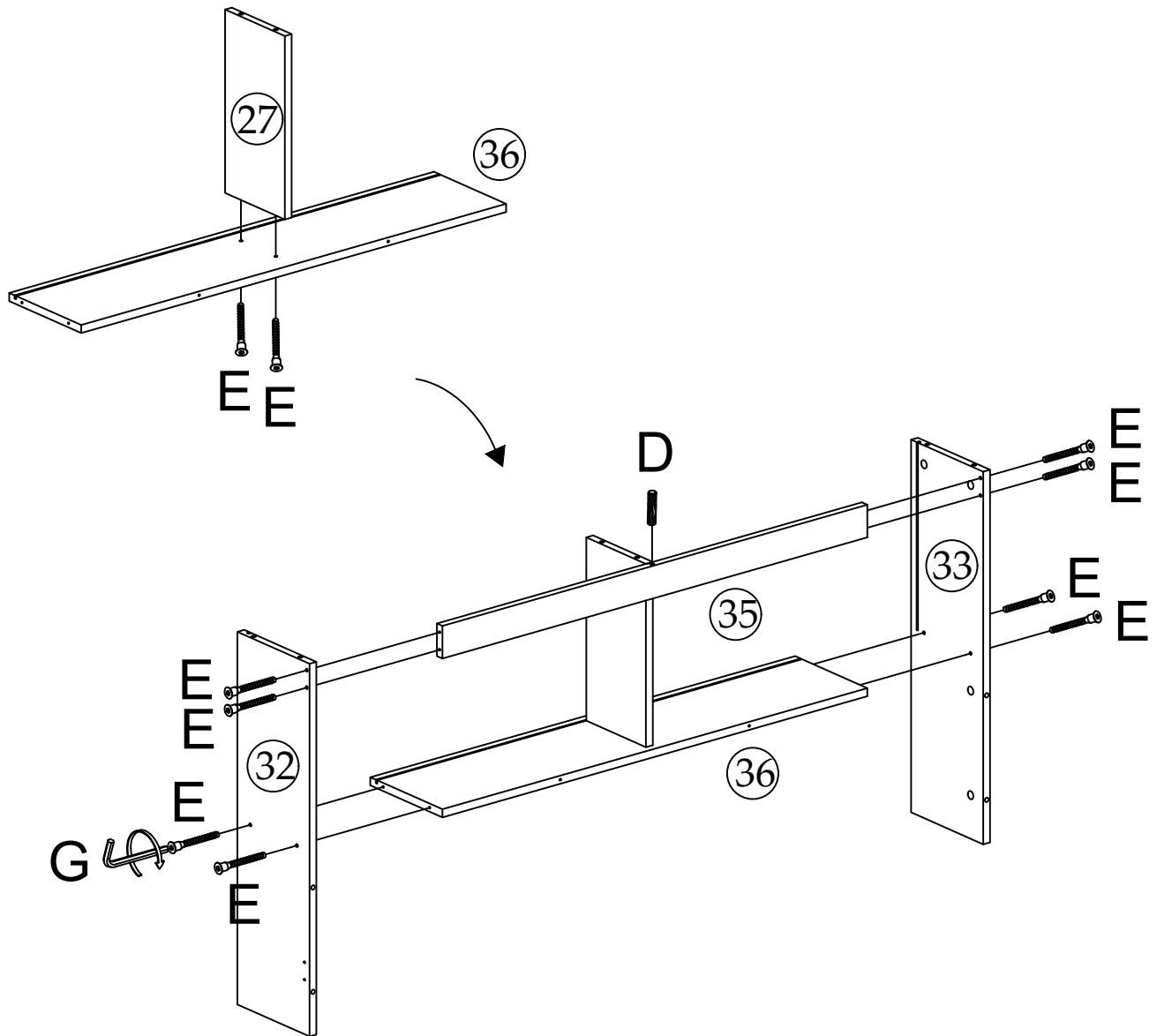






J	3x14		6PCS
---	------	---	------

F		1PC	H		1PC
---	---	-----	---	---	-----

# ASSEMBLY INSTRUCTIONS

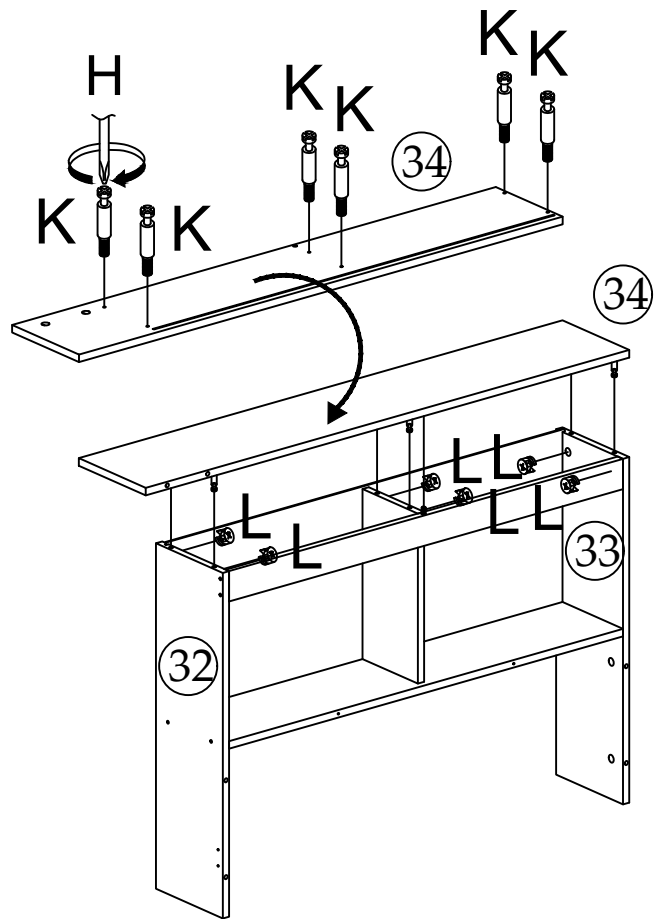
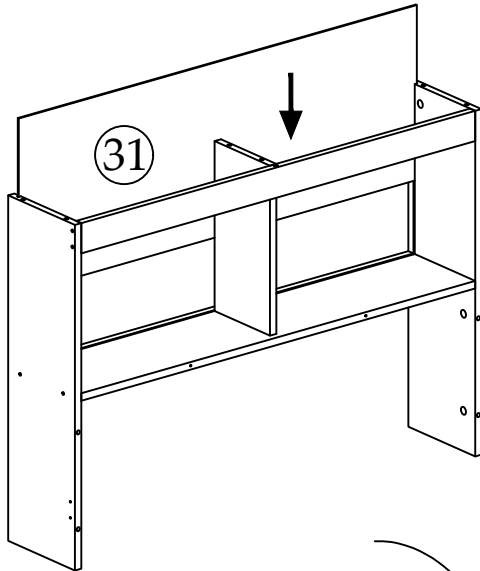
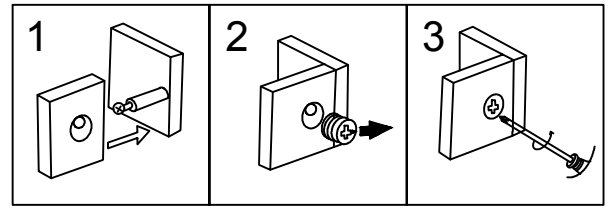
## 7

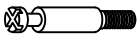




E	5x40		10PCS	R	8x50		
G	M3		1PC	D	8x30		1PC

# ASSEMBLY INSTRUCTIONS

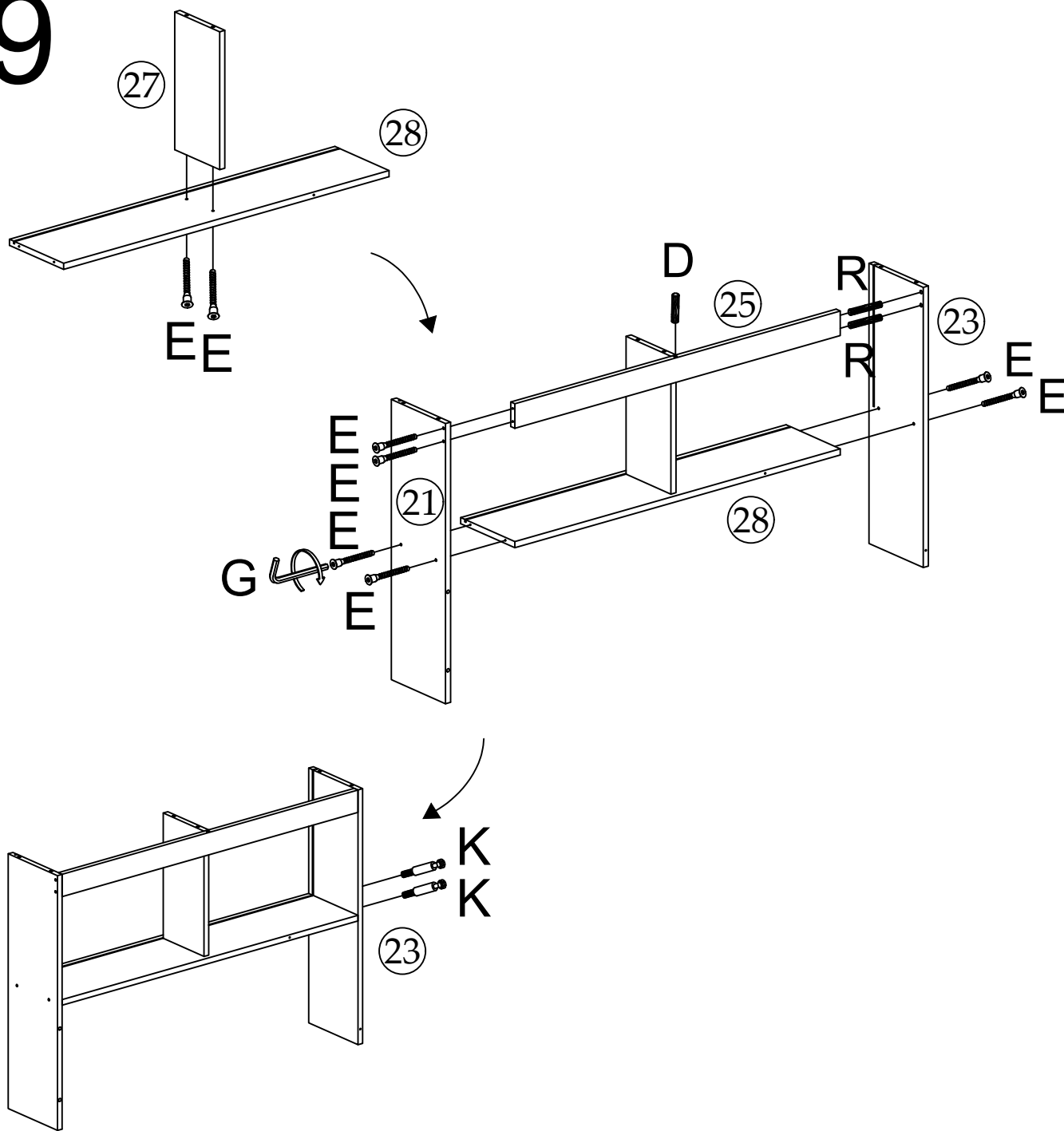
# 8





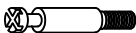



K		6PCS
L		6PCS
H		1PC

# ASSEMBLY INSTRUCTIONS

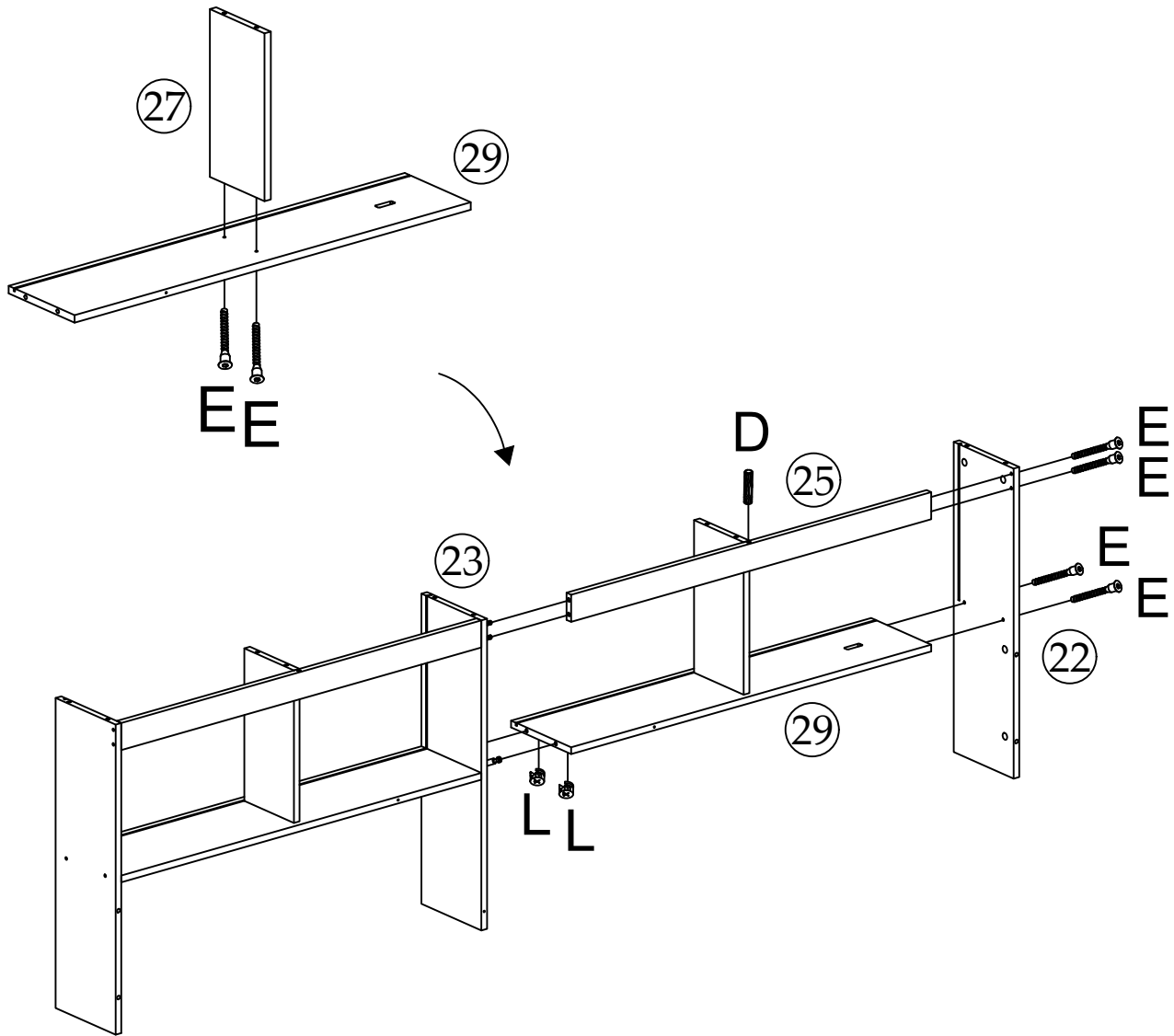
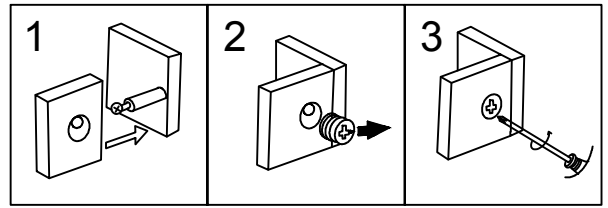
## 9



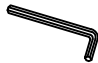





E	5x40		8PCS	R	8x50		2PCS
G	M3		1PC	D	8x30		1PC
K			2PCS	H			1PC

# ASSEMBLY INSTRUCTIONS

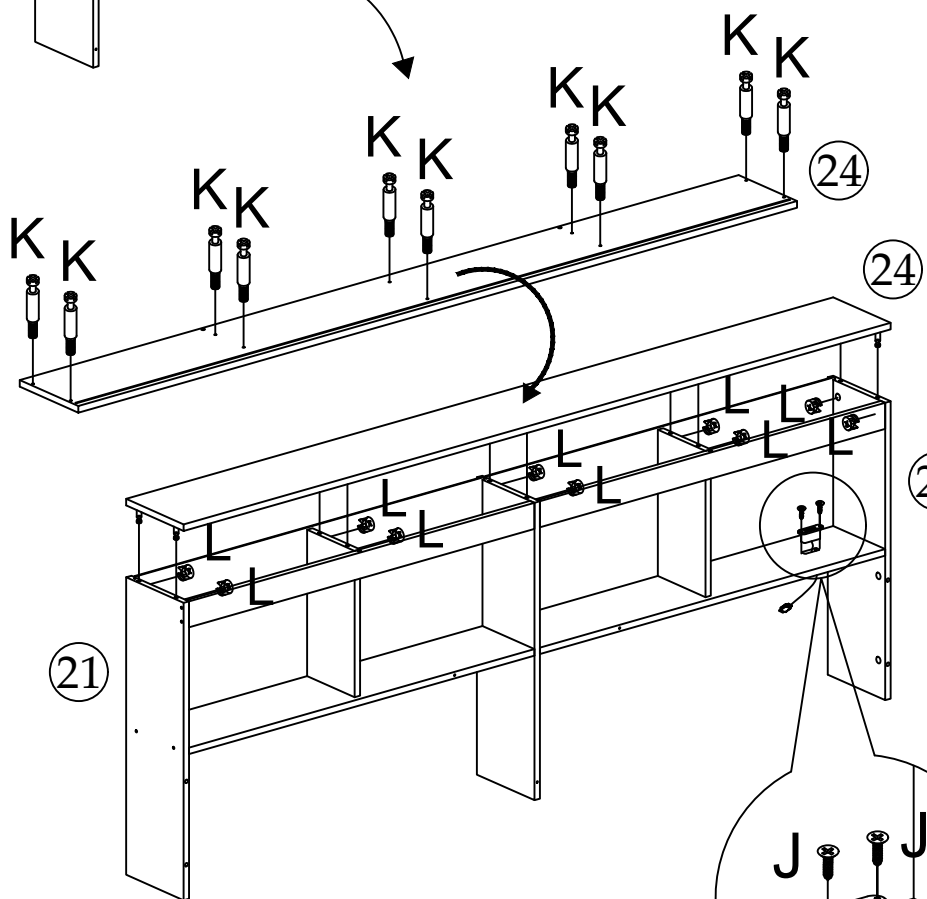
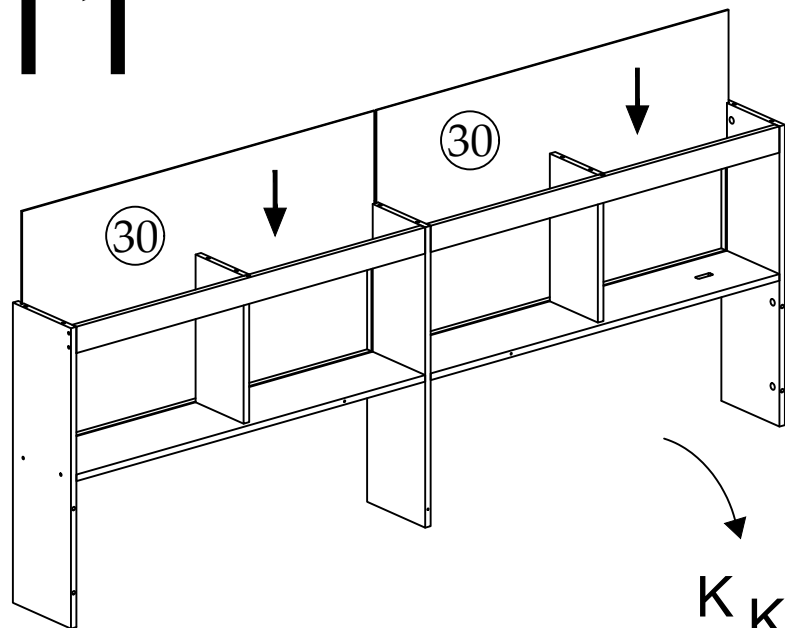
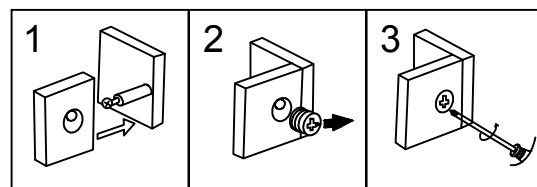
# 10

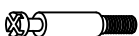







E	5x40		6PCS	R	8x50		
G	M3		1PC	D	8x30		1PC
L			2PCS	H			1PC

# ASSEMBLY INSTRUCTIONS

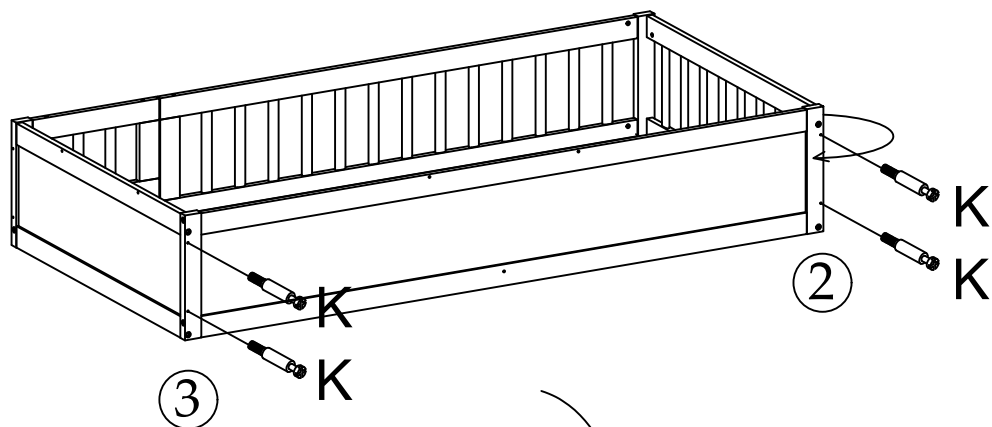
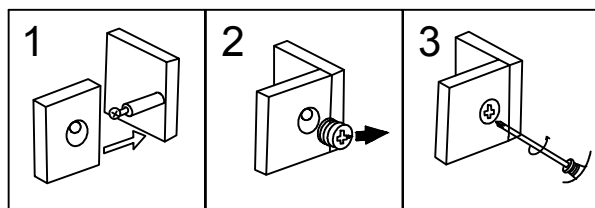
# 11



K		10PCS	N	4x30	
L		10PCS	J	3x14	
H		1PC	I		

# ASSEMBLY INSTRUCTIONS

# 12



3

2

K

K

K

K

21

2

22

3

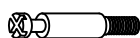
E

E

E

E

K



4PCS

L



4PCS

E

5x40



3PCS

H



1PC

G

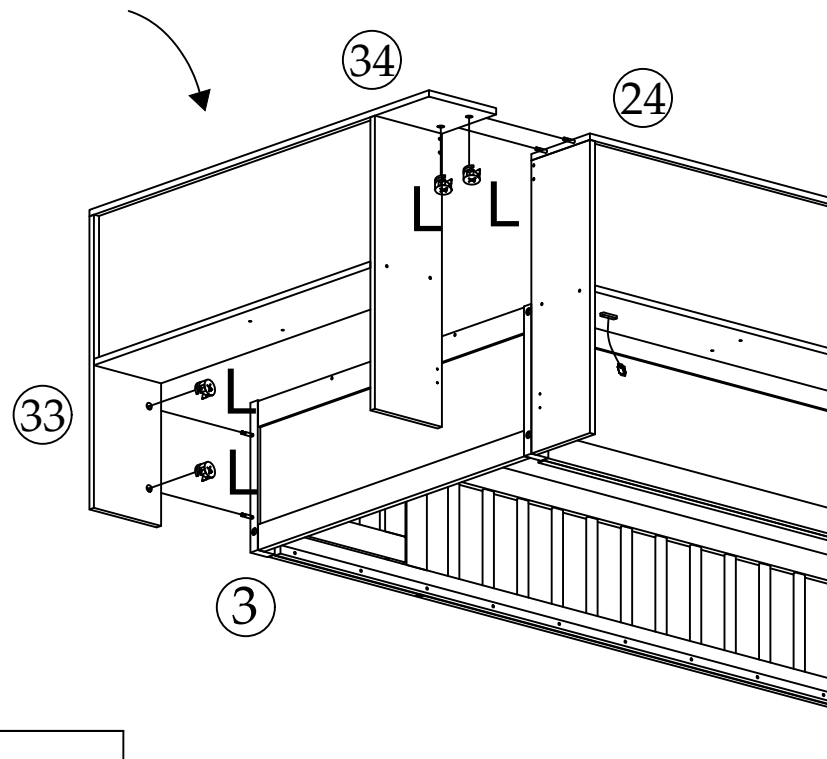
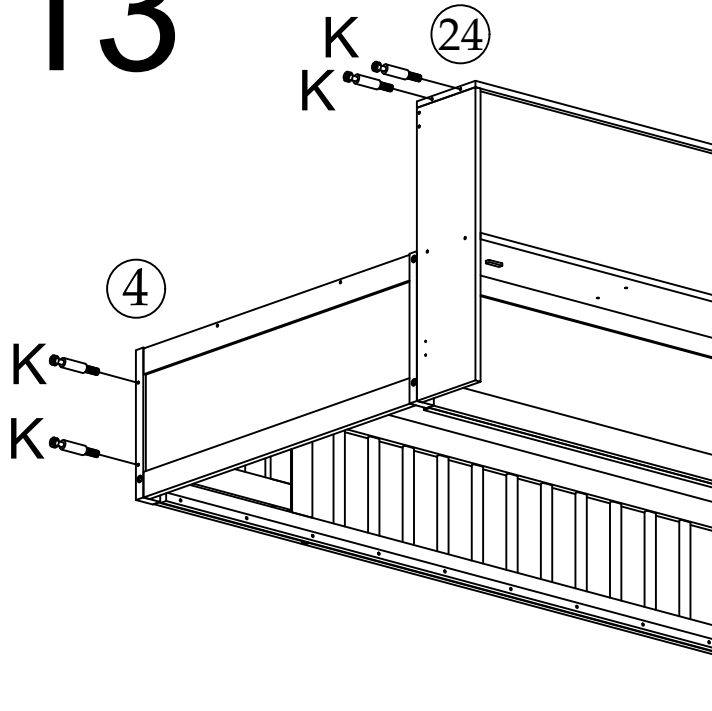
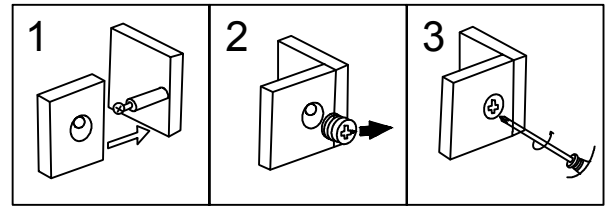
M3

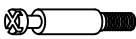




1PC

# ASSEMBLY INSTRUCTIONS

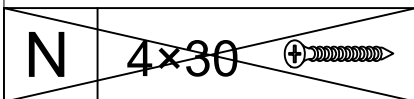
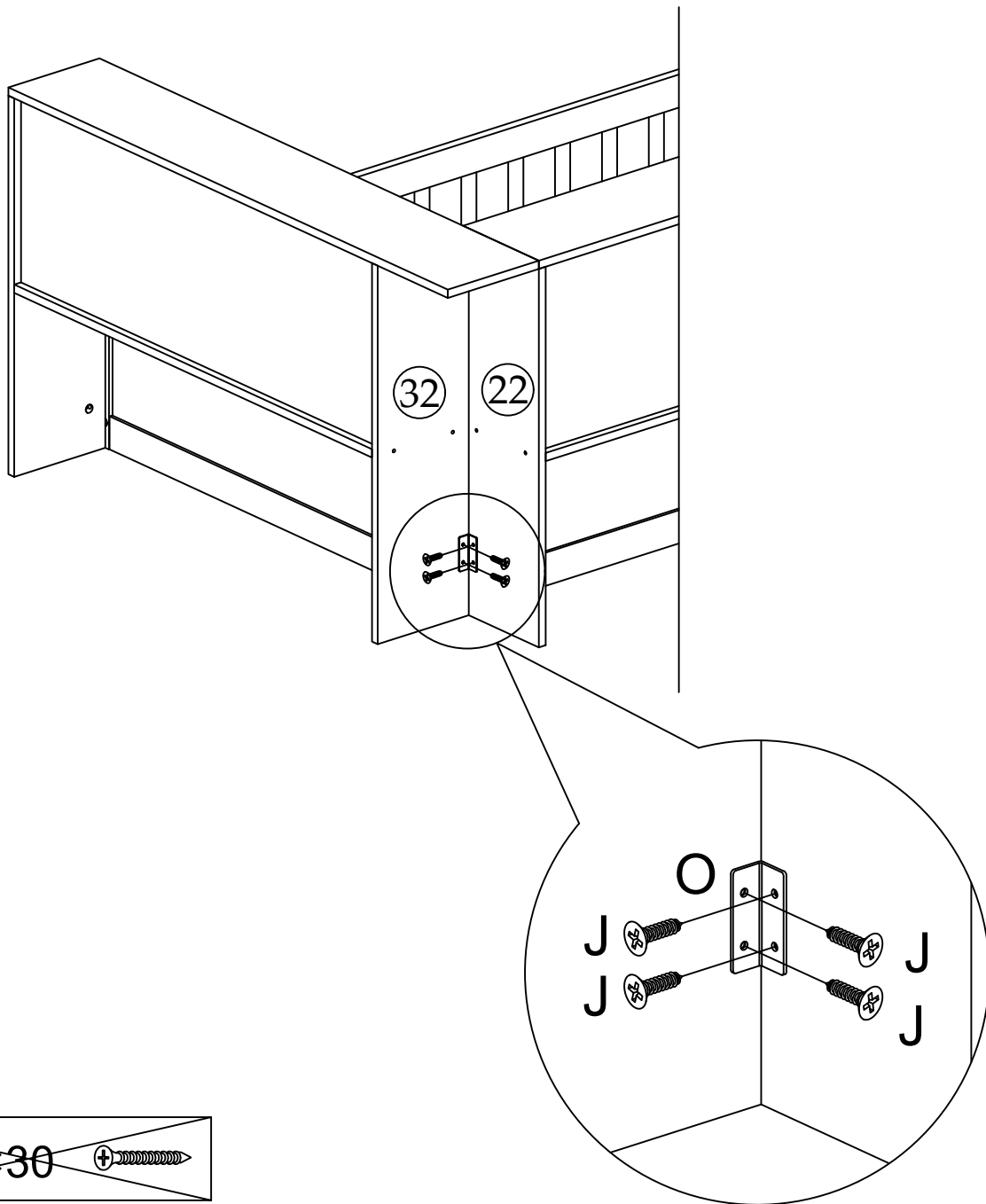
# 13





K		4PCS
L		4PCS
H		1PC

# ASSEMBLY INSTRUCTIONS

# 14

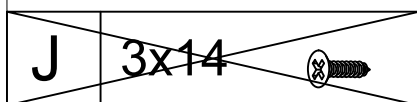
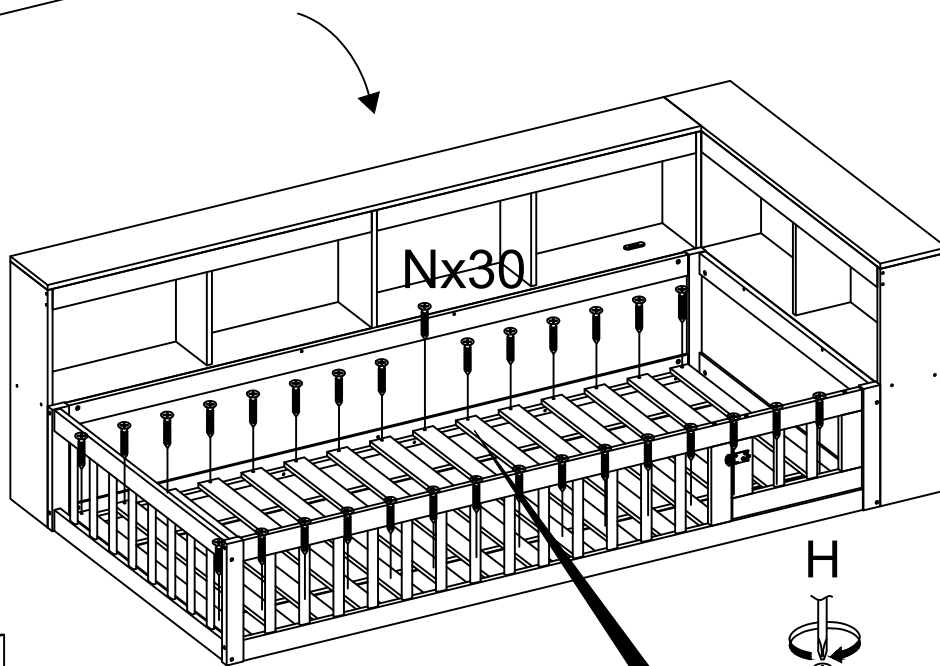
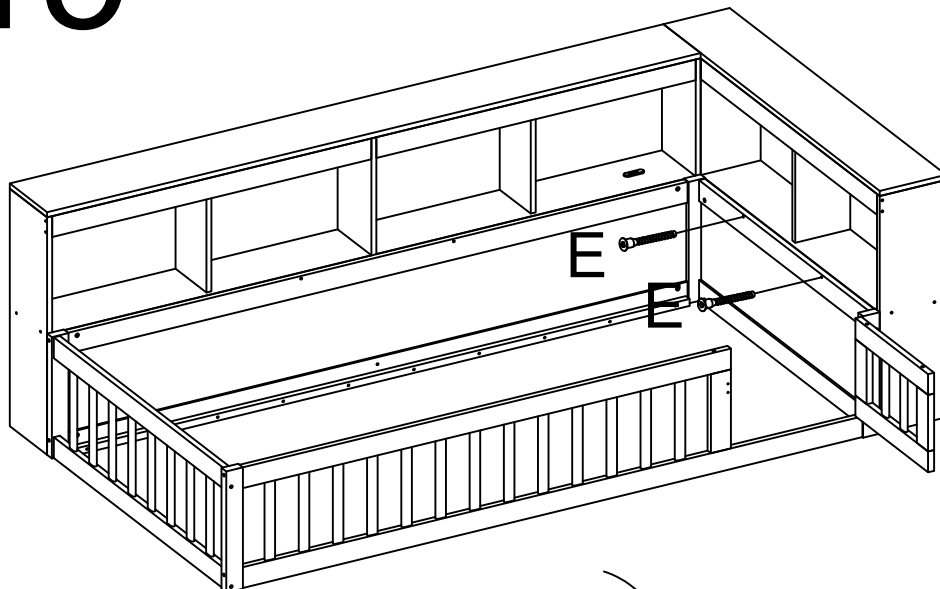


J	3x14		4PCS
---	------	---	------

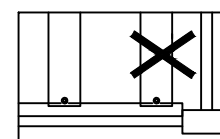
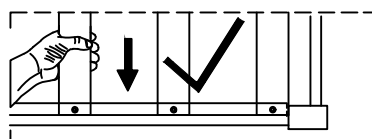
O		1PC	H		1PC
---	---	-----	---	--	-----

# ASSEMBLY INSTRUCTIONS

# 15



N	4x30		30PCS
H			1PC
E	5x40		2PCS
G	M3		1PC





This certificate is responsible for testing sample only.  
Please refer to this corresponding test report to get testing process and data.

# CERTIFICATE

## ATTESTATION Certificate of Compliance

Technical file of the company mentioned below has been inspected and audit has been completed successfully

The Low Voltage Directive 2014/35/EU has been taken as references for these processes.

Certificate's Holder : QingDao ChengKong Electrical-Auto Co., Ltd.  
Address : Room 5-402, No.147 Xining Road, Zhuhai Community, Huangdao District, Qingdao, Shandong, China  
Manufacturer : QingDao ChengKong Electrical-Auto Co., Ltd.  
Address : Room 5-402, No.147 Xining Road, Zhuhai Community, Huangdao District, Qingdao, Shandong, China  
Product Name : Furniture Power Distribution Unit  
Product Model (S) : JN02-00-22, JN02-00-22Y, JN02-00-02, JN02-00-21, JN02-00-23, JN02-00-03, JN02-00-04  
Trade Mark : Roozmausy  
Related Directive : 2014/35/EU  
Related Standards : EN IEC 62368-1:2020 + A11:2020  
Certificate Number : HK2405271322S  
Report No. : HK2405271322-SR  
Registration Date : Jun. 04, 2024



Certification Manager



The information of the certificate can be checked through [www.cer-mark.com](http://www.cer-mark.com). The CE mark which is shown on the certificate can only be used under the conditions that the products complete with all of the relevant Directives of CE Declaration of Conformity. The Manufacturer should be responsible for the internal production control so that the products complied with the essential requirements of the above mentioned Directive(s). Certificate holder must notify all changes to the original certification laboratory of HUAKE.



Shenzhen HUAKE Testing Technology Co., Ltd.

Add.: 1-2/F., Building B2, Junfeng Zhongcheng Zhizao Innovation Park, Heping, Fuhai Street, Bao'an District, Shenzhen, Guangdong, China  
Tel.: +86-755-2302 9901 Http:// [www.cer-mark.com](http://www.cer-mark.com) Postcode: 518103 E-mail: [service@cer-mark.com](mailto:service@cer-mark.com)



This certificate is responsible for testing sample only.  
Please refer to this corresponding test report to get testing process and data.

# CERTIFICATE

## ATTESTATION Certificate of Compliance

Technical file of the company mentioned below has been inspected and audit has been completed successfully

The EMC Directive 2014/30/EU has been taken as references for these processes.

Certificate's Holder : QingDao ChengKong Electrical-Auto Co., Ltd.  
 Address : Room 5-402, No.147 Xining Road, Zhuhai Community, Huangdao District, Qingdao, Shandong, China  
 Manufacturer : QingDao ChengKong Electrical-Auto Co., Ltd.  
 Address : Room 5-402, No.147 Xining Road, Zhuhai Community, Huangdao District, Qingdao, Shandong, China  
 Product Name : Furniture Power Distribution Unit  
 Product Model (S) : JN02-00-22, JN02-00-22Y, JN02-00-02, JN02-00-21, JN02-00-23, JN02-00-03, JN02-00-04  
 Trade Mark : Roozmausy  
 Related Directive : 2014/30/EU  
 EN 55032:2015 + A1:2020 + A11:2020  
 Related Standards : EN IEC 61000-3-2:2019 + A1:2021  
 EN 61000-3-3:2013 + A1:2019 + A2:2021  
 EN 55035:2017 + A11:2020

Certificate Number : HK2405272729E  
 Report No. : HK2405272729-1ER  
 Registration Date : Jun. 04, 2024



Certification Manager



The information of the certificate can be checked through [www.cer-mark.com](http://www.cer-mark.com). The CE mark which is shown on the certificate can only be used under the conditions that the products complete with all of the relevant Directives of CE Declaration of Conformity. The Manufacturer should be responsible for the internal production control so that the products complied with the essential requirements of the above mentioned Directive(s). Certificate holder must notify all changes to the original certification laboratory of HUAKE.



Shenzhen HUAKE Testing Technology Co., Ltd.

Add.: 1-2/F., Building B2, Junfeng Zhongcheng Zhizao Innovation Park, Heping, Fuhai Street, Bao'an District, Shenzhen, Guangdong, China  
Tel.: +86-755-2302 9901 Http:// [www.cer-mark.com](http://www.cer-mark.com) Postcode: 518103 E-mail: [service@cer-mark.com](mailto:service@cer-mark.com)

Certificate NO.: LBTC230314130R

## Certificate of Compliance

### EU- Restriction of the use of certain hazardous substances(RoHS)-

**Report No.** : LBTC230314130R

**Applicant** : QingDao ChengKong Electrical-Auto Co., Ltd

**Address** : Zhuhai Community, Huangdao District, Qingdao ,  
Shandong ,China

**Manufacturer** : QingDao ChengKong Electrical-Auto Co., Ltd

**Address** : Zhuhai Community, Huangdao District, Qingdao ,  
Shandong ,China

**Product** : Power Adapter

**Model Model** : JN02-00-22 JN02-00-22Y JN02-00-02 JN02-00-21 JN02-00-23 JN02-00-03

**Trade Mark** : N/A

**Test Standards** EC 62321-3-1-2013

EC 62321-5-1-2013

EC 62321-4-2013+AMD1:2017

EC 62321-7-1:2015

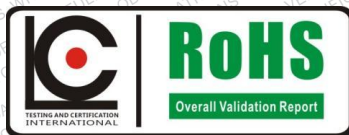
EC 62321-7-2:2017

EC 62321-6:2015

The test results based on the above specified products comply with the EU RoHS 2 Directive 2011/65 / EU Appendix II Amendment Directive(EU)2015/863 as last amended by Directive (EU)2017/2102 limit requirements.

The test results apply only to the particular sample tested and to the specific tests carried out. Specifically to the sample investigated in our test reference number only.

Other relevant Directives have to be observed.



Date of Issue: Mar.14.2013

This statement is based on a single evaluation of the sample(s) of above mentioned product. It does not imply an assessment of the whole production.

Shenzhen Labtest Technology Laboratory Ltd.

901-12, Block 1, No.9 Jinxiu Middle Road, Laokeng Community, Longtian Street, Pingshan District, Shenzhen, Guangdong, China. <http://www.clabtest.com>