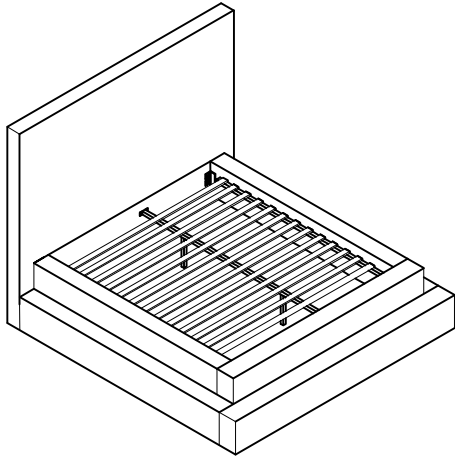


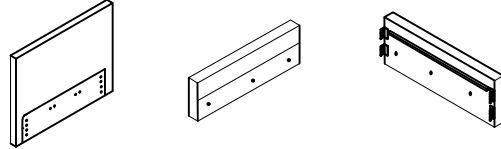
ASSEMBLY INSTRUCTIONS

BED - QUEEN

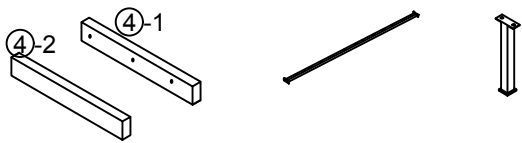


+ Parts Included

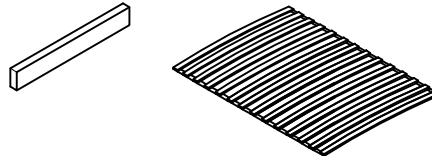
- ① Head Board
(1pc)
- ② Inside Foot Board
(1pc)
- ③ Inside Side Rails
(2pcs)



- ④ outside Side Rails
(2pcs)
- ⑤ Center Support Bar
(1pc)
- ⑥ Support Legs
(2pcs)

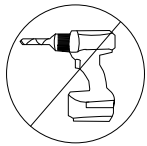


- ⑦ outside Foot Board
(1pc)
- ⑧ Slats joint
(1set=13pcs)

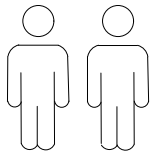


*Slats come packed in the bottom of headboard carton.

+ Do Not Use Power Tools



+ Suggested Adults



NOTE :

- 1 Read instructions cover to cover.
- 2 Save all packaging until assembly is completed.

1 IMPORTANT SAFETY INFORMATION

Do not assemble the product if any of the following parts arrived damaged:

- Part #③/④-Side Rails
- Part #⑤ -Center Support Bar
- Part #⑥ -Support Legs
- Part #⑧-Slats joint

2 IMPORTANT ASSEMBLY INFORMATION

Assembly Step ③ Ensure the side rail bracket is fully hooked onto bolt **C** loosely threaded with both washers on the **OUTSIDE** of the bracket first, then proceed to fully tightening all 4 corners.

+ Hardware Included

- A Bolt M8*30mm
(8pcs)
- B Bolt M8*200mm
(9pcs)
- C Bolt M8*40mm
(16pcs)



- D Spring Washer
(16pcs)
- E Flat Washer
φ20(24pcs)
- F M8 Allen Key
(1pc)



- G Flat Washer φ22
(9pcs)
- I Nut M8*13mm
(13pcs)



- J Spanner
(1pc)



ASSEMBLY INSTRUCTIONS

BED - QUEEN

