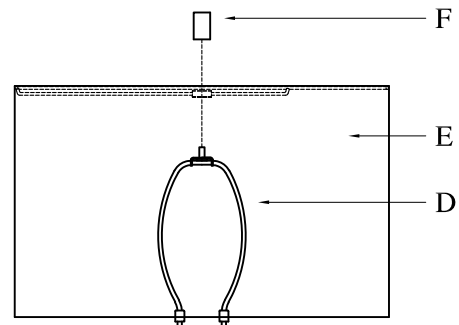


# ASSEMBLY INSTRUCTIONS

CAREFULLY PLACE ALL PARTS ON A SMOOTH SURFACE AND LAY THEM UP PER THE SKETCH BELOW.

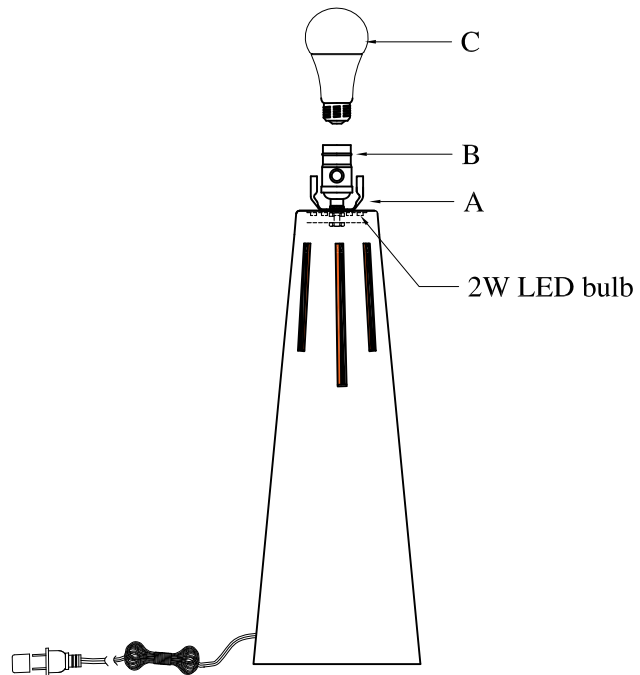
1. INSERT THE HARP(D) INTO SADDLE(A)
2. PUT THE SHADE(E) ONTO THE HARP(D) AND TIGHTEN WITH THE FINIAL(F).
3. INSTALL RECOMMENDED BULB(C) INTO SOCKET(B), BULB NOT INCLUDED IN THIS PACKAGE.
4. INSERT THE PLUG INTO AN OUTLET.

ENJOY YOUR LAMP!!



Use Max 100W type A bulb  
(bulbs not included)

2W LED (included)



*\* TO REDUCE THE RISK OF ELECTRIC SHOCK, ALWAYS UNPLUG FROM THE ELECTRICAL OUTLET BEFORE INSTALLATION.*

*\* THIS FIXTURE IS SUITABLE FOR DRY LOCCATION ONLY.*

*\* THIS FIXTURE SHOULD ONLY BE CLEANED WITH A SOFT LINT FREE CLOTH DAMPLED WITH WATER. DO NOT USE ANY CHEMICAL OR ABUSIVE CLEANER AS THEY MAY DAMAGE THE SURFACE OF THE PRODUCTS.*

THIS PORTABLE LAMP HAS A POLARIZED PLUG (ONE BLADE IS WIDER THAN THE OTHER) AS A SAFETY FEATURE TO PEDUSE THE RISK OF ELECTRIC SHOCK. THIS PLUG WILL FIT IN A POLARIZED OUTLED ONLY ONE WAY. IF IT DOES NOT FIT FULLY IN THE OULET, REVERSE THE PLUG. IF IT STILL DOES NOT FIT, CONTACT A QUALIFIED ELECTRICIAN. NEVER USE WITH AN EXTENSION CORD UNLESS THE PLUG CAN BE FULLY AND EASILY INSERTED. DO NOT ATTEMPT TO ALTER THE PLUG.

SAVE THESE INSTRUTIONS FOR FUTURE REFERENCE