

ASSEMBLY INSTRUCTIONS



CURIO CABINET

ASSEMBLY INSTRUCTIONS

ASSEMBLY TIPS:

1. Remove hardware from box and sort by size.
2. Please check to see that all hardware and parts are present prior to start of assembly.
3. Please follow attached instructions in the same sequence as numbered to assure fast & easy assembly.



WARNING!

1. Don't attempt to repair or modify parts that are broken or defective. Please contact the store immediately.
2. This product is for home use only and not intended for commercial establishments.



ASSEMBLY TIME


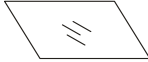

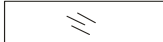
45 MINUTES

PARTS IDENTIFICATION

AN	TOP		1PC
BN	BOTTOM SIDE POST		2PCS
CN	BOTTOM BACK POST		1PC
DN	BOTTOM FRONT POST		2PCS
EN	SHELF		2PCS
FN	BOTTOM		1PC
GN	TOP SIDE POST		2PCS
HN	TOP BACK POST		1PC
IN	TOP FRONT POST		2PCS
JN	TOP BACK PANEL		2PCS
KN	BOTTOM BACK PANEL		2PCS
LN	TOP DOOR GLASS		2PCS

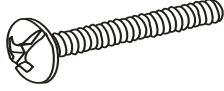

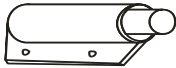
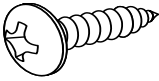

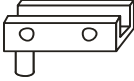

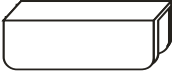
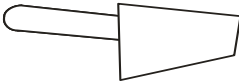
ASSEMBLY INSTRUCTIONS

PARTS IDENTIFICATION

MN	BOTTOM DOOR GLASS		2PCS
NN	SHELF GLASS		4PCS
ON	BOTTOM BACK MIRROR		2PCS
PN	TOP BACK MIRROR		2PCS
QN	BOTTOM FRONT GLASS		1PC
RN	TOP FRONT GLASS		1PC

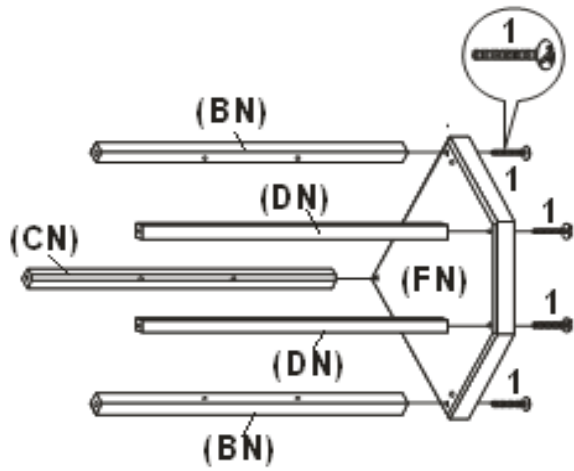
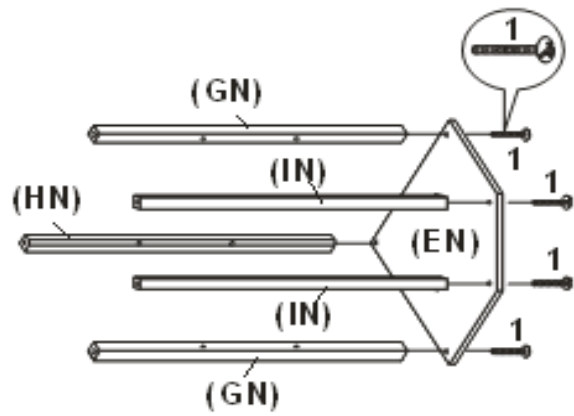
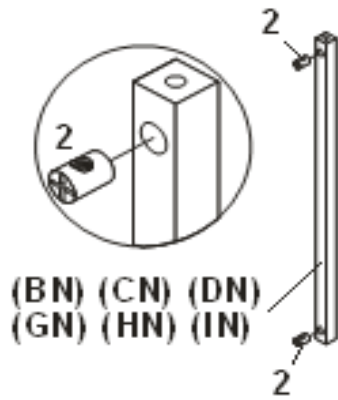
ASSEMBLY INSTRUCTIONS

HARDWARE IDENTIFICATION

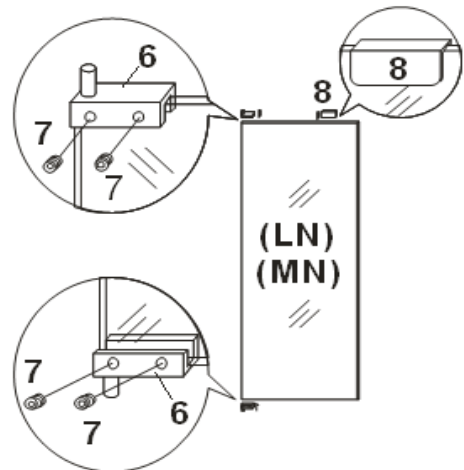
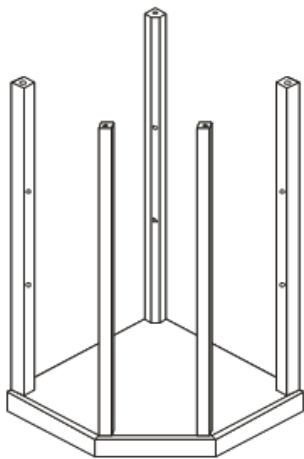
1	BOLTS (1/4" x 41mm RBW)		20PCS
2	CAM NUT (1/4" x 13mm RBW)		20PCS
3	MAGNET (46 x 30 x 20mm BLK)		4PCS
4	WOOD SCREWS (6 x 14mm BLK)		80PCS
5	WOOD DOWEL (Ø8 x 20mm)		2PCS
6	GLASS DOOR HINGES (40 x 12 x 21mm BLK)		8PCS
7	PLASTIC SCREWS (Ø8 x 8mm)		16PCS
8	GLASS DOOR NIPS (40 x 23 x 10mm BLK)		4PCS
9	SHELF SUPPORTS (15 x 11 x 18mm)		20PCS

ASSEMBLY INSTRUCTIONS

STEP 1

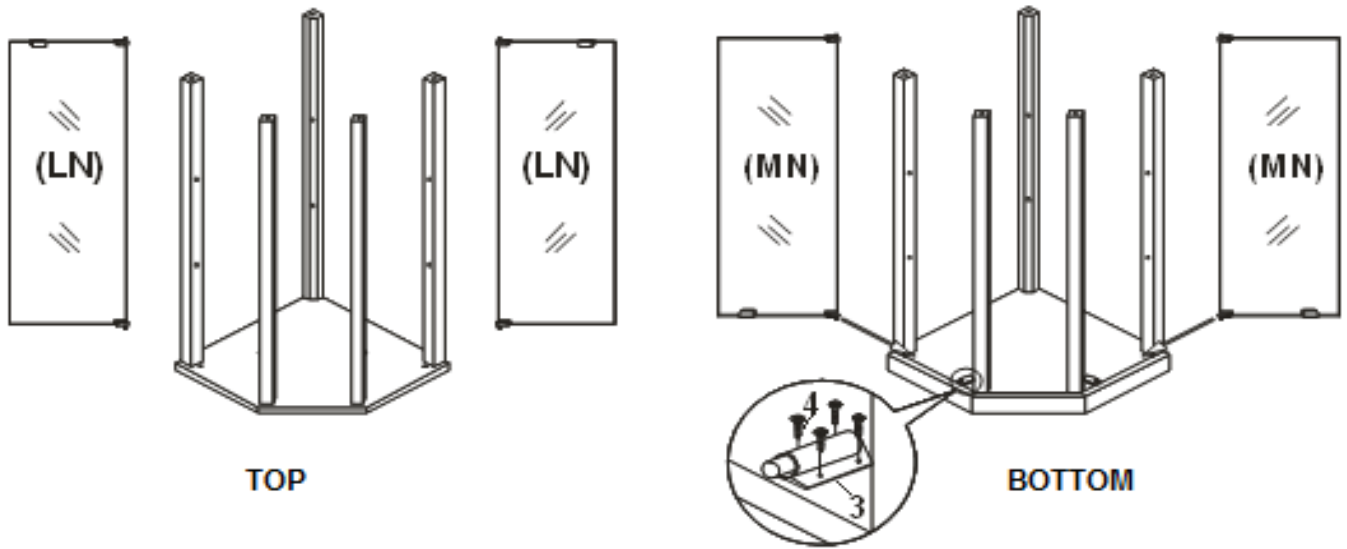


STEP 2

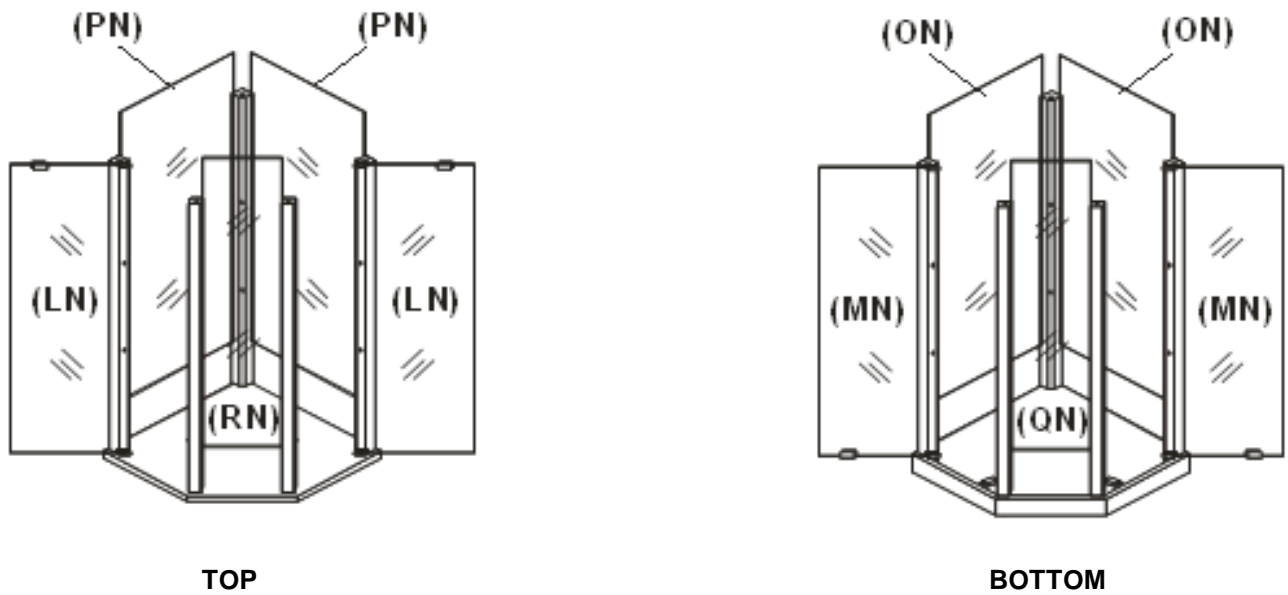


ASSEMBLY INSTRUCTIONS

STEP 3

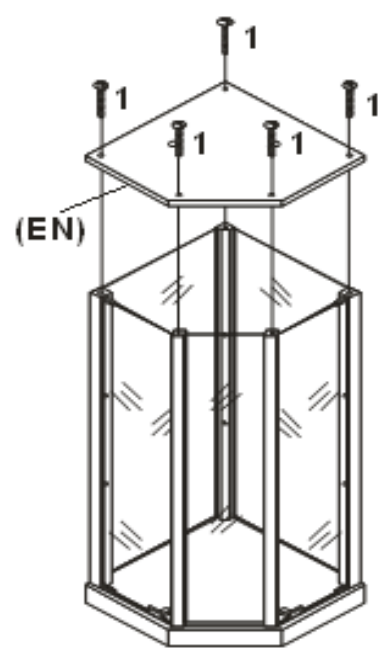
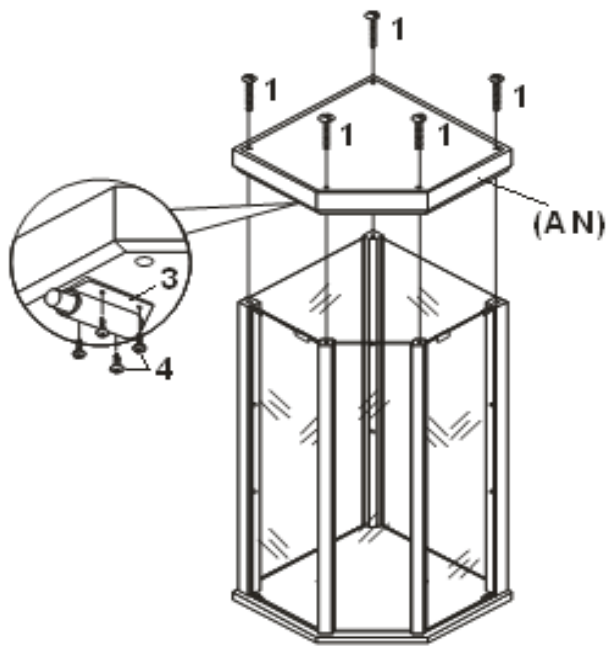


STEP 4

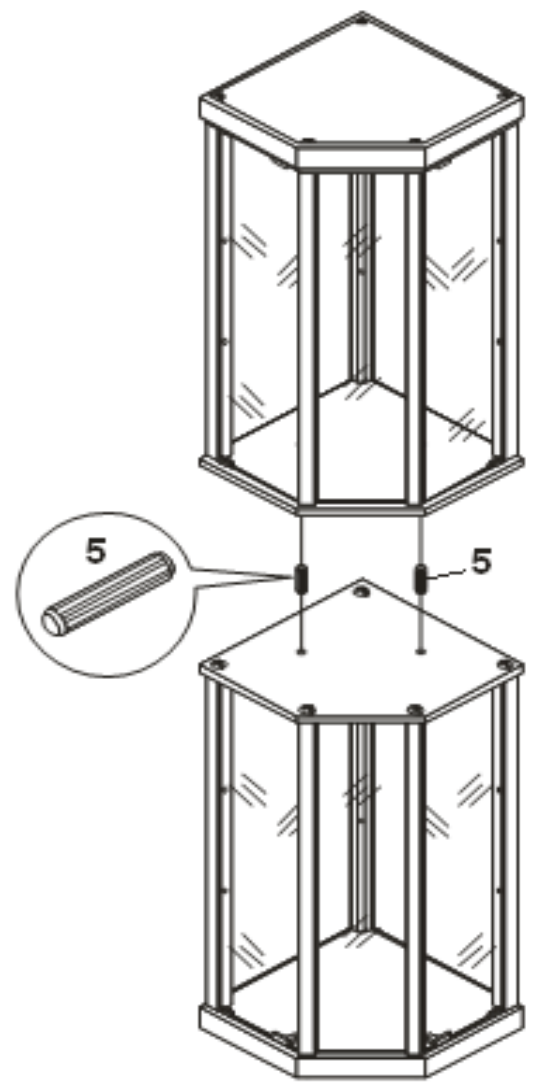


ASSEMBLY INSTRUCTIONS

STEP 5

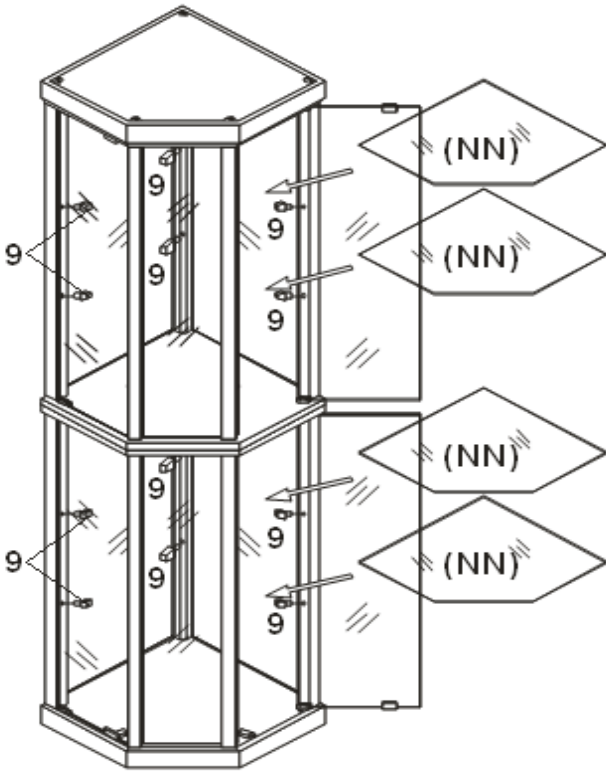


STEP 6



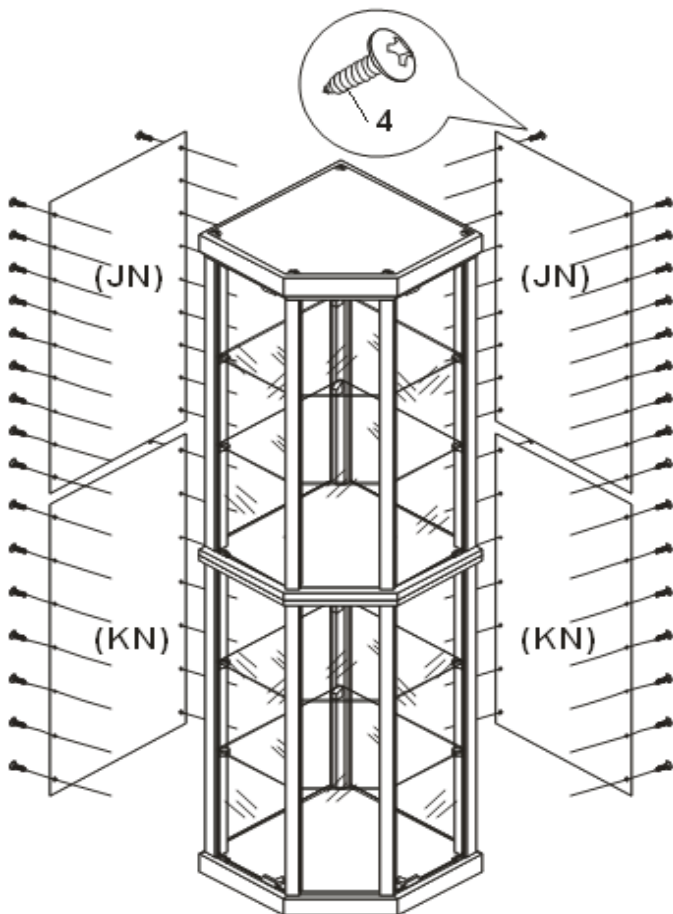
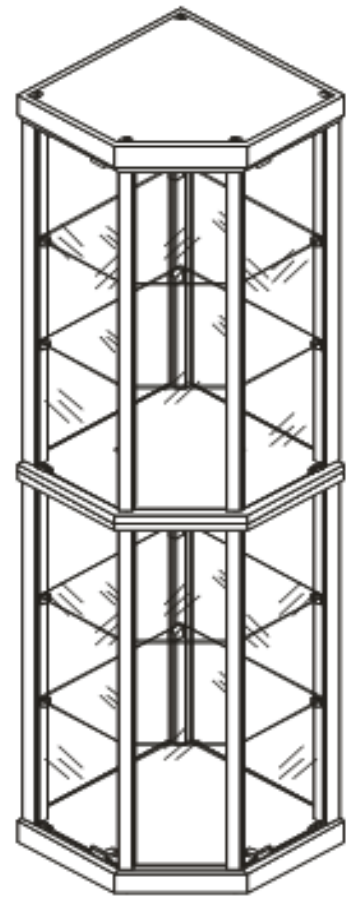
ASSEMBLY INSTRUCTIONS

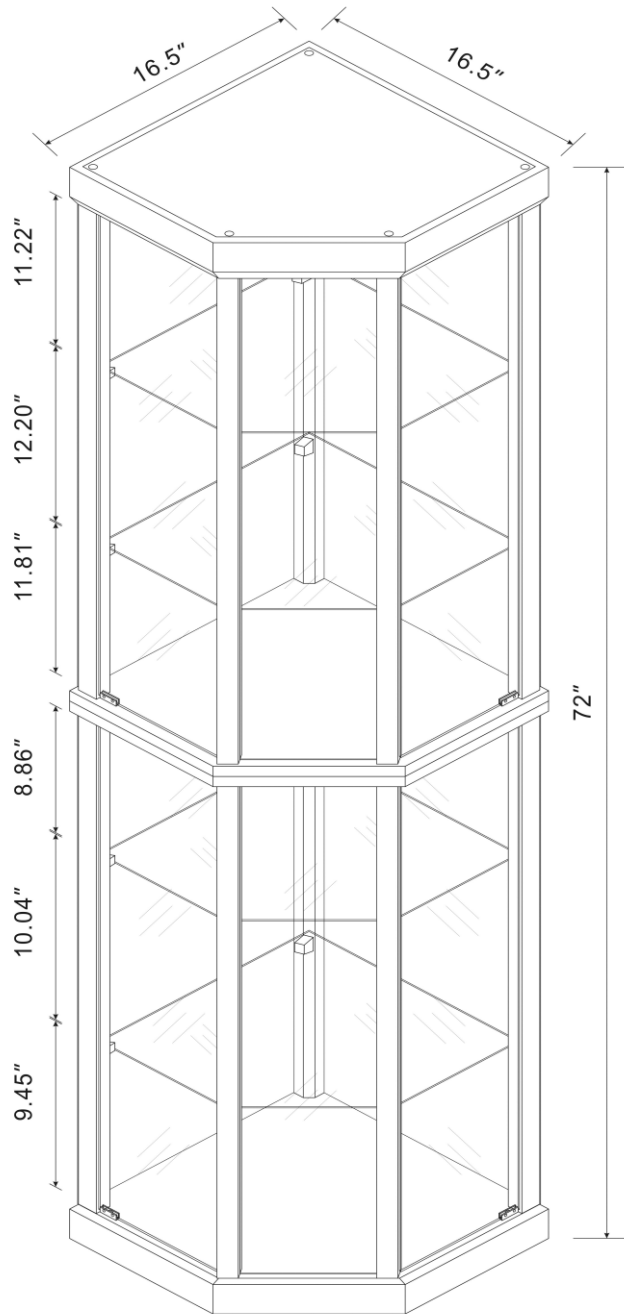
STEP 7



STEP 9

COMPLETE





Note : Dimension tolerance $\pm 5\%$

ANTI-TIPPING INSTALLMENT INSTRUCTIONS

FURNITURE TIPPING RESTRAINT

WARNING

Injury may result from tipping furniture.

This restraint may protect against tipping furniture.

Do not allow children to climb on furniture.

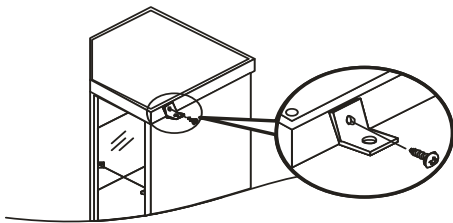
This restraint is not a substitute for proper adult supervision.

Failure to detach this restraint before moving the furniture may result in injury and damage.

This restraint must be screwed to a wood stud on the wall, using the long screw provided.

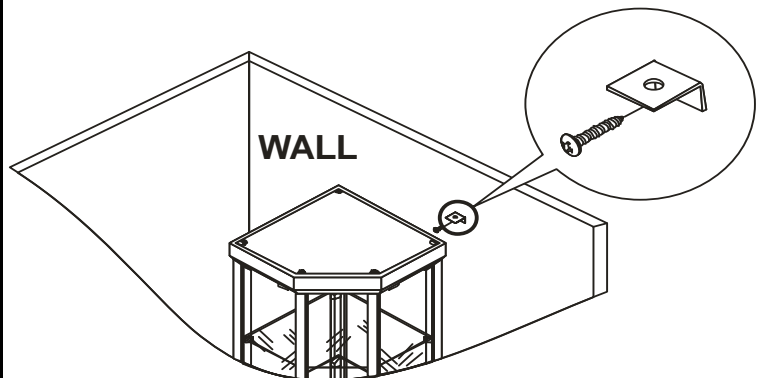
STEP 1

Secure the bracket to the back top of the unit, using the short screw provided, as shown in the drawing.



STEP 2

Locate the wood stud on the wall, and secure the other bracket, 2 inches below the back of the unit.



STEP 3

Place the furniture into position so both mounting brackets are vertically in line. Lace the end of the restraint strap through the larger hole in each mounting bracket. Bring both ends together and slide the flat end through the locking end, and drag it through, until the slack is removed. Ensure that the strap is securely laced and locked.

