

Type: \_\_\_\_\_

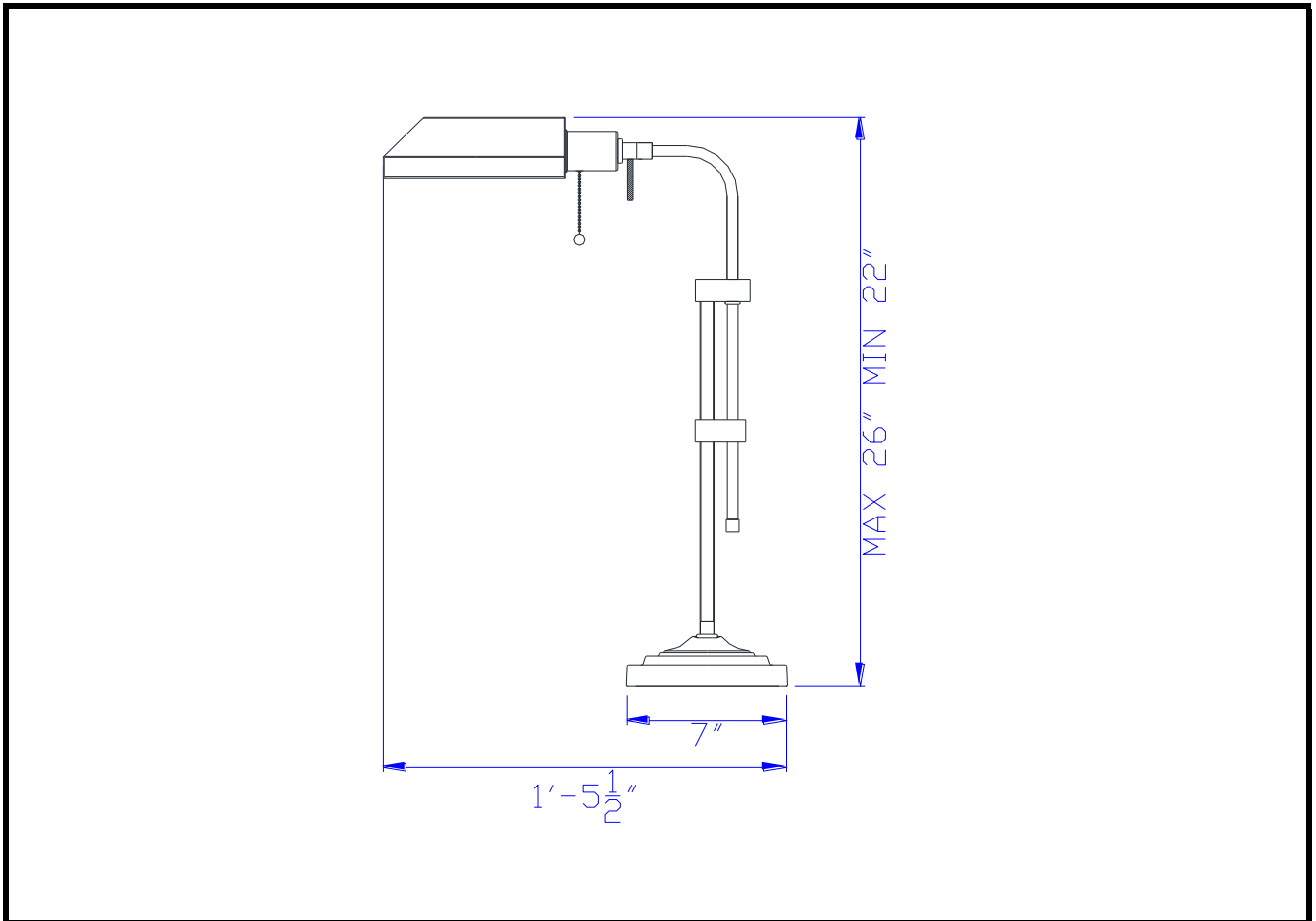
Project: \_\_\_\_\_

Catalog No.: \_\_\_\_\_

Lamp/Wattage: \_\_\_\_\_

Specifications subject to change without notice

**Drawing:**



**Description:** Table Lamp with Adjustable Pole

**Material:** Metal

**Finish :** RU (Rust)

**Height:** 26"

**Base Width:** 7"

**Wattage :** 60W

**Socket :** Medium Base (E27)

**Switch:** On/OFF Pull Chain

**Bulb:** Incandescent, CFL

**Wire Length:** 6'

**Wire Color:** Brown

**Material:** Metal

**Shade size:** 8"x4"x 2 3/4"

**Certificate :** 