

# KICHLER®

## 52" Lydra LED

Product images may vary slightly from actual product.



## INSTRUCTION MANUAL



# TABLE OF CONTENTS

SAFETY RULES.....	4	FINISHING THE MOTOR INSTALLATION .....	11
TOOLS REQUIRED.....	5	ATTACHING THE FAN BLADES.....	12
PACKAGE CONTENTS .....	5	INSTALLING THE SWITCH HOUSING.....	13
MOUNTING OPTIONS.....	6	INSTALLING THE LIGHT KIT AND GLASS .....	13
HANGING THE FAN.....	7	OPERATING INSTRUCTIONS.....	16
INSTALLATION OF SAFETY SUPPORT .....	9	TROUBLESHOOTING.....	18
ELECTRICAL CONNECTIONS .....	10	FCC INFORMATION .....	20

## SAFETY RULES

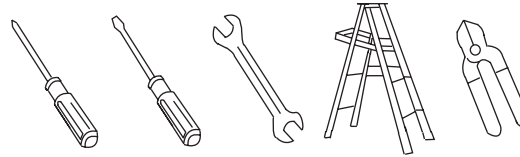
1. **CAUTION – RISK OF SHOCK –** Disconnect Power at the main circuit breaker panel or main fusebox before starting and during the installation.
2. **WARNING:** This fixture is intended for installation in accordance with the National Electrical Code (NEC) and all local code specifications. If you are not familiar with code requirements, installation by a certified electrician is recommended.
3. **WARNING:** To reduce the risk of fire or electric shock, use only the control provided with the fan.
4. **WARNING:** To reduce the risk of fire, electric shock, or Personal Injury, mount directly to a structural framing member or to an outlet box marked “Acceptable for Fan Support of 15.9kg (35 lbs) or less”. For outlet box mounting, use mounting screws provided with the outlet box.
5. **WARNING:** Chemical Burn Hazard. Keep batteries away from children. This remote contains a lithium button cell battery. If a new or used lithium button/coin cell battery is swallowed or enters the body, it can cause severe internal burns and can lead to death in as little as 2 hours. Always completely secure the battery compartment. If the battery compartment does not close securely, stop using the product, remove the batteries, and keep it away from children. If you think batteries might have been swallowed or placed inside any part of the body, seek immediate medical attention. Dispose of cells properly and keep away from children. Even used cells may cause injury.
6. To operate the reverse function on this fan, press the “Reverse” button while fan is running.
7. Avoid placing objects in the path of the blades.
8. To avoid personal injury or damage to the fan and other items, be cautious when working around or cleaning the fan.
9. Make sure the installation site you choose allows a minimum clearance of 7 feet from the blades to the floor and at least 30 inches from the ends of the blades to any obstruction.
10. Do not use water or detergents when cleaning the fan or fan blades. A dry dust cloth or lightly dampened cloth will be suitable for most cleaning.
11. After making the electrical connections, spliced conductors should be turned upward and pushed carefully up into outlet box. The wires should be spread apart with the ground wire and white (common) wire to one side with the black (load) wire to the other side of the outlet box.
12. Electrical diagrams are for reference only. Light kits that are not packed with the fan must be ETL Listed and marked suitable for use with the model fan you are installing. Switches must be ETL General Use Switches. Refer to the Instructions packaged with the light kits and switches for proper assembly.

### WARNING

TO REDUCE THE RISK OF PERSONAL INJURY, DO NOT BEND THE BLADE BRACKETS (ALSO REFERRED TO AS FLANGES) DURING ASSEMBLY OR AFTER INSTALLATION. DO NOT INSERT OBJECTS IN THE PATH OF THE BLADES.

## TOOLS AND MATERIALS REQUIRED

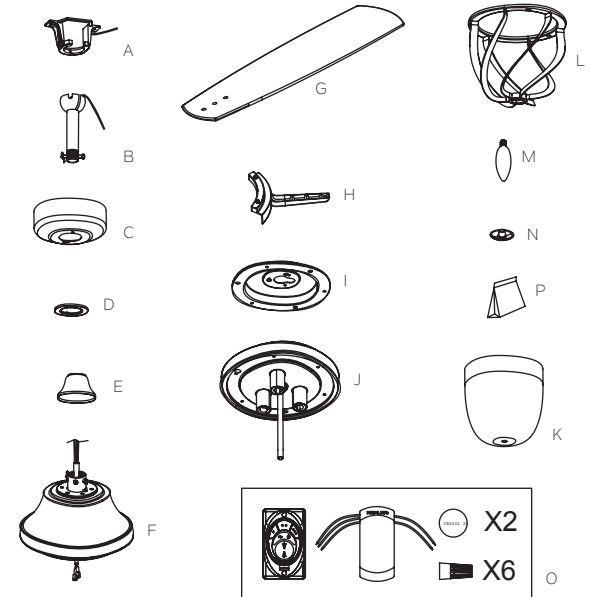
- Phillips Screwdriver
- Blade Screwdriver
- 11 mm Wrench
- Step Ladder
- Wire Cutters



## PACKAGE CONTENTS

Unpack your fan and check the contents. You should have the following items:

- |   |   |
|---|---|
| <p>A. Mounting Bracket</p> <p>B. Ball / Downrod Assembly</p> <p>C. Canopy</p> <p>D. Canopy Hole Cover</p> <p>E. Coupling Cover</p> <p>F. Motor Body</p> <p>G. Fan Blade (5)</p> <p>H. Blade Arm (5)</p> <p>I. Switch Housing</p> <p>J. Light Kit</p> <p>K. Glass</p> <p>L. Light Case</p> <p>M. LED Bulb (3)</p> <p>N. Finial</p> <p>O. Remote Control Kit:<br/>Remote Control (1)<br/>Receiver (1)<br/>Batteries (2)<br/>Wire Connectors (6)</p> | <p>P. Package Hardware</p> <p>1) Mounting Hardware:<br/>Wire Connector (3)</p> <p>2) Blade Attachment Hardware:<br/>Screws (15), Washers (15)</p> <p>3) Safety Cable Hardware:<br/>Wood Screw (1), Spring Washer (1)<br/>Flat Washer (1)</p> <p>4) Glass Attachment Hardware<br/>Silicon Washer (1), Metal Washer (1)<br/>Manual Nut (1)</p> <p>5) Light Case Hardware:<br/>Screw (3)<br/>L Shape Screwdriver (1)</p> |
|---|---|



# MOUNTING OPTIONS

If there isn't an existing UL (cUL for Canadian Installation) listed mounting box, then read the following instructions. Disconnect the power by removing fuses or turning off circuit breakers.

Secure the outlet box directly to the building structure. Use appropriate fasteners and building materials. The outlet box and its support must be able to fully support the full weight of the fan (up to 50 lbs). Do not use plastic outlet boxes.

Figures 1, 2 and 3 are examples of different ways to mount the outlet box.

**NOTE:** If you are installing the ceiling fan on a sloped (vaulted) ceiling, you may need a longer downrod to maintain proper clearance between the tip of the blade and the ceiling. A minimum clearance of 12" is suggested for optimal operation.

**NOTE:** Depending on the location you have selected for installation, you may need to purchase and install a "Joist Hanger" for the support of the outlet box. Make sure the joist hanger you purchase has been designed for use with ceiling fans.

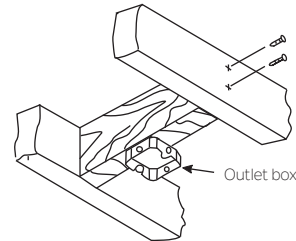


Fig. 1

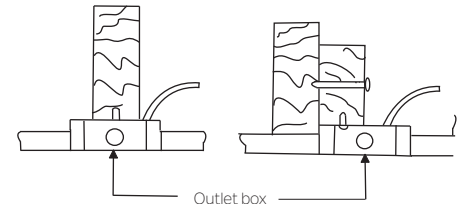


Fig. 2

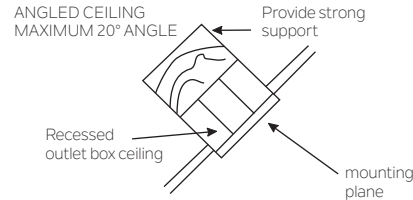


Fig. 3

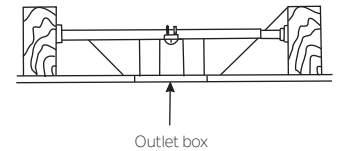


Fig. 4

# HANGING THE FAN

**REMEMBER** to turn off the power before you begin installation. This is necessary for your safety and also the proper programming of the control system.

To properly install your ceiling fan, follow the steps below.

**Step 1.** Before attaching fan to outlet box (not included), ensure the outlet box is securely fastened to at least two points to a structural ceiling member (a loose box will cause the fan to wobble). Pass the 120 volt supply wires from the ceiling outlet box through the center of the ceiling mounting bracket. Install mounting bracket to outlet box in ceiling using the screws and washers included with the outlet box. (Fig. 5)

**Step 2.** Remove the hairpin and clevis pin from the downrod assembly, retain for later use. Remove the hanger ball from the downrod assembly by loosening set screw, removing the cross pin, and sliding ball of the rod. (Fig. 6)

**NOTE: Make sure to keep loosened hardware separate to avoid confusion during installation.**

**Step 3.** Loosen the two set screws on the motor coupling. (Fig. 7)

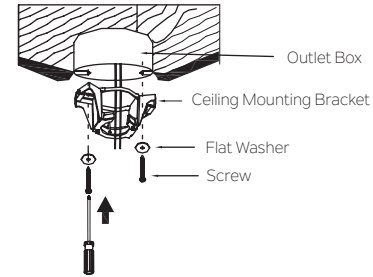


Fig. 5

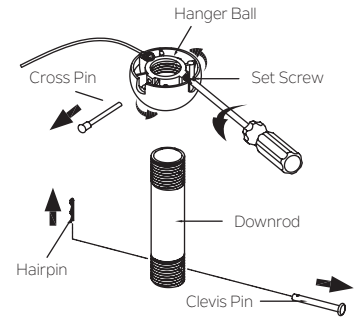


Fig. 6

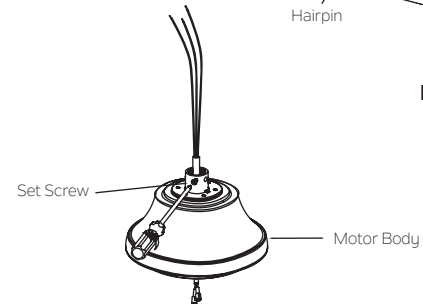


Fig. 7

## HANGING THE FAN (continued)

**Step 4.** Carefully feed fan wires and safety cable up through the downrod. Thread the downrod onto the motor coupling until the clevis pin holes are aligned. Next, replace the clevis pin and hairpin, then tighten both set screws. (Fig. 8)

**Step 5.** Slip the coupling cover, canopy hole cover and canopy onto the downrod. Carefully reinstall the hanger ball onto the downrod. Make sure the cross pin is in the correct position and the set screw is tight and the wires are not twisted. (Fig. 9)

**Step 6.** Now lift the motor body into position and place the hanger ball into the mounting bracket. Rotate until the “Check Tab” has dropped into the “Registration Slot” and seats firmly. (Fig. 10) The entire motor body should not rotate if this is done correctly.

**WARNING:** Failure to properly seat the “Check Tab” can damage the ceiling fan during operation.

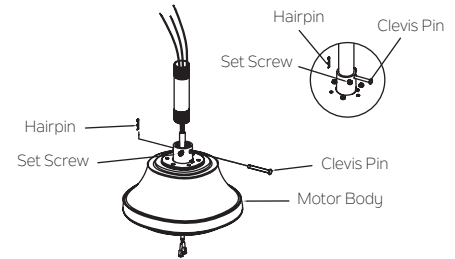


Fig. 8

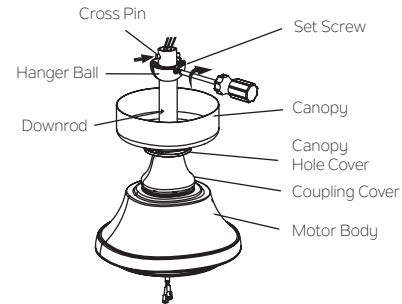


Fig. 9

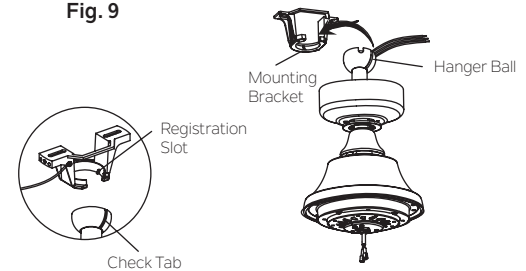


Fig. 10

# INSTALLATION OF SAFETY SUPPORT (required for Canadian installation ONLY)

A safety support cable is provided to help prevent the ceiling fan from falling, please install it as follows.

**Step 1.** Drive a wood screw and washers into the side of the brace that holds the outlet box. Leave 3mm (1/8") of space between the support brace and the washer. (Fig. 11)

**Step 2.** Insert the safety cable through the mounting bracket and one of the holes in the outlet box into the ceiling. Adjust the length of the safety cable to reach the screw and washers by pulling the extra cable through the cable clamp until the overall length is correct, put the end of the cable back through the cable clamp, forming a loop at the end of the cable. Tighten the cable clamp securely. Now, put the loop in the end of the safety cable over the wood screw and under the washer. Tighten the wood screw securely. (Fig. 12)

**NOTE:** Although the safety support cable is required for Canadian installations only. It's a good idea to make the attachment with any installation.

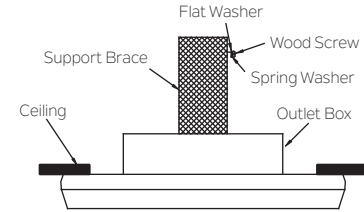


Fig. 11

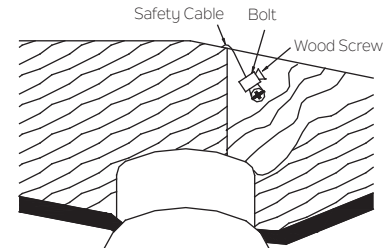


Fig. 12

# MAKE THE ELECTRICAL CONNECTIONS

**WARNING:** To avoid possible electrical shock, be sure you have turned off the power at the main circuit panel before wiring.

Follow the steps below to connect the fan to your household wiring. Use the wire connectors supplied with your fan. Secure the connector with electrical tape. Make sure there are no loose wire stands or connections.

**WARNING:** If your house wires are different colors than referenced in this manual, stop immediately. A professional electrician is recommended to determine proper wiring.

**Step 1.** Insert the receiver into the mounting bracket, and keep flat in opposition of ceiling. (Fig. 13)

**Step 2.** Motor to Receiver Electrical Connections: Connect the BLACK wire from the fan to BLACK wire marked "TO MOTOR L" from the receiver. Connect the WHITE wire from the fan to the WHITE wire marked "TO MOTOR N" from the receiver. Connect the BLUE wire from the fan to the BLUE wire marked "FOR LIGHT" from the receiver. Secure all the wire connections with the plastic wire connectors provided. (Fig. 14)

**Step 3.** Remote Receiver to Outlet Box Electrical Connections: Connect the BLACK (hot) wire from the ceiling to the BLACK wire marked "AC IN L" from the receiver. Connect the WHITE (Neutral) wire from the ceiling to the WHITE wire marked "AC IN N" from the receiver. Secure all the wire connections with the plastic wire connectors provided. (Fig. 14)

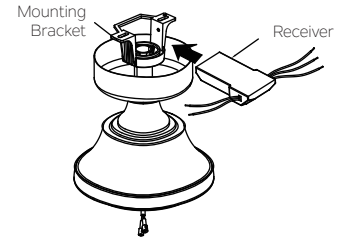


Fig. 13

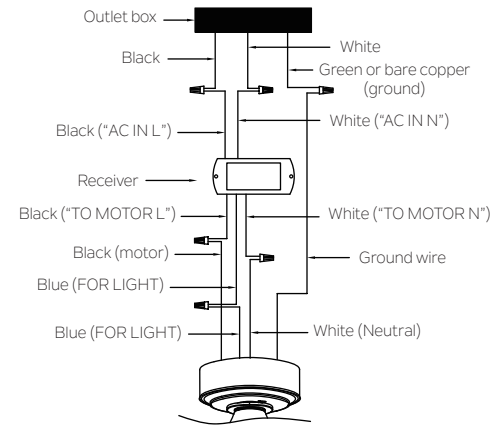


Fig. 14

## MAKE THE ELECTRICAL CONNECTIONS

**Step 4.** If your outlet box has a ground wire (green or bare copper) connect it to the fan ground wires: otherwise connect the fan ground wire to the mounting bracket. Secure the wire connection with a plastic nut provided. After connecting the wires, spread them apart so that the green and white wires are on one side of the outlet box and black and blue wires are on the other side. (Fig. 14)

**NOTE:** Carefully lock the wire connections up into the outlet box.

**NOTE:** Fan must be installed at a maximum distance of 30 feet from the transmitting unit for proper signal transmission between the transmitting unit and the fan's receiving unit.

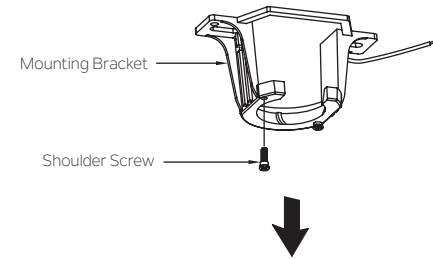


Fig. 15

## FINISHING THE MOTOR INSTALLATION

**Step 1.** Remove one of the two shoulder screws in the mounting bracket. Loosen the second shoulder screw without fully removing it. (Fig. 15)

**Step 2.** Assemble canopy by rotating key slot in canopy over shoulder screw in mounting bracket. Reinstall the shoulder screw that was previously removed, then retighten two shoulder screws securely. (Fig.16)

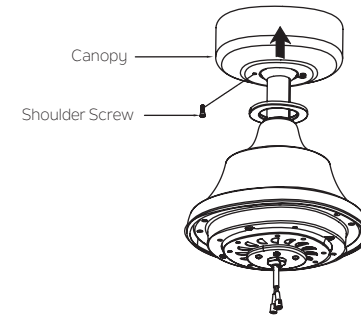
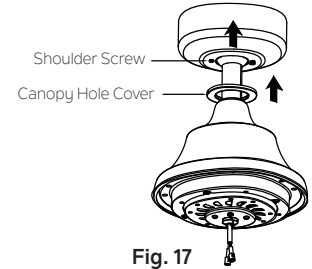


Fig. 16

## FINISHING THE MOTOR INSTALLATION

**Step 3.** Securely attach and tighten the canopy hole cover over the shoulder screws in the mounting bracket utilizing the keyslot twist-lock feature. (Fig. 17)

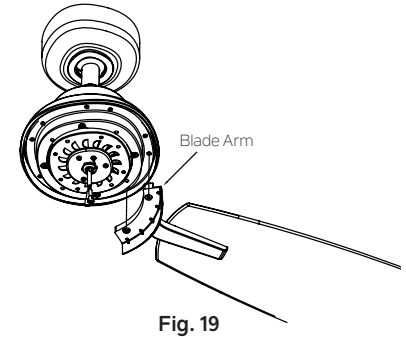
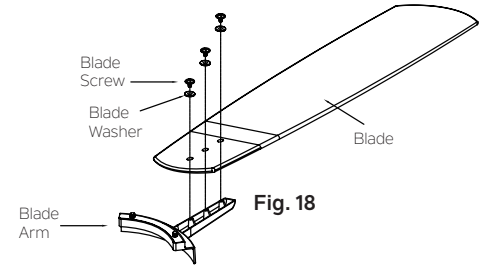


## ATTACHING THE FAN BLADES

**NOTE:** Before continuing, make sure the power is disconnected by turning off the circuit breaker or removing the fuse at the circuit box.

**Step 1.** Place the blade over the blade arm, make sure the bottom edge of blade is fully seated against the blade arm, securely tighten the blade to blade arm with three (3) blade screws and washers. Repeat for remaining blades. (Fig. 18)

**Step 2.** Attach blade arms to the motor assembly with blade arms screws. (Fig. 19)



## INSTALLING THE SWITCH HOUSING

**Step 1.** Remove the screw marked with a dot label which is preinstalled on mounting plate and keep for later use. Loosen the other two (do not remove). Place the two slot holes on the switch housing over the 2 screws previously loosened from the mounting plate. Rotate the switch housing until it locks in place at the narrow end of the key holes. Secure by tightening the 2 screws previously loosened and the one previously removed. (Fig. 20)

## INSTALLING THE LIGHT KIT AND GLASS

**NOTE:** Before continuing installation, confirm that the power is still turned off at the main circuit breaker or by removing the circuit fuse. Turning the power off using the wall switch is not sufficient to prevent electrical shock.

**Step 1.** Hold the light kit close to the switch housing and connect the WHITE wires from the light kit and fan by pushing the connectors together. Follow the same procedure with the BLACK wires. (Fig. 21)

**Step 2.** Tuck the connections neatly into the light kit. Remove one of the three screws pre-installed on the switch housing and keep for later use. Loosen the other 2 screws (do not remove). Place the two slot holes on the light kit over the 2 screws previously loosened from the switch housing. Rotate the light kit until it locks in place at the narrow end of the key holes. Secure by tightening the 2 screws previously loosened and the one previously removed. (Fig. 21)

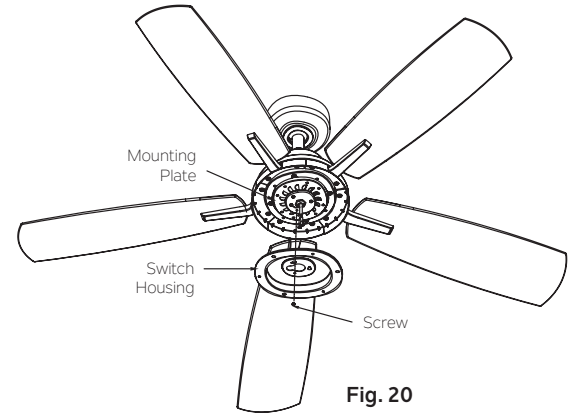


Fig. 20

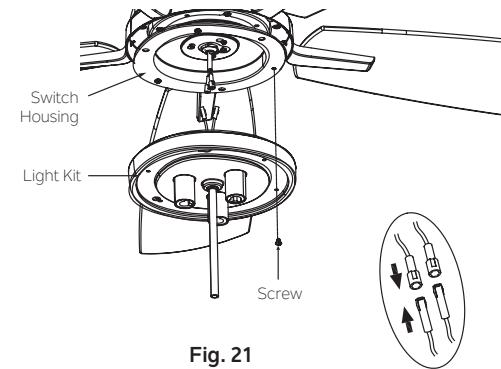


Fig. 21

## INSTALLING THE LIGHT KIT AND GLASS

**Step 3.** Insert 4-watt max LED bulbs (included) into each socket. When necessary, replace with bulbs of the same wattage. (Fig. 22)

**CAUTION:** An energy-saving wattage limiter is included in the receiver of the fan. When replacing bulbs, ensure bulb wattage is less than 190 watts, otherwise the item will not function.

**Step 4.** Hold the glass up through the rod, secure with silicon washer, metal washer and manual nut. (Fig.23)

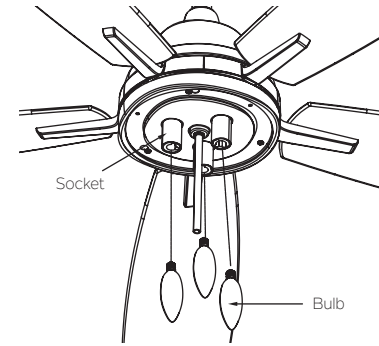


Fig. 22

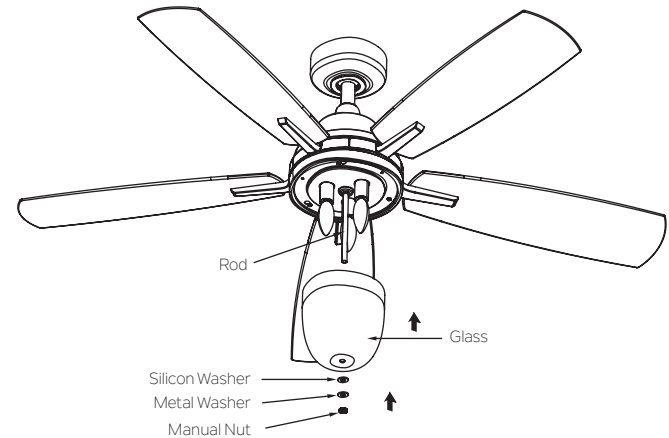


Fig. 23

## INSTALLING THE LIGHT KIT AND GLASS

**Step 5.** Attach the light case to the light kit, align with three (3) round holes, tighten with three (3) screws by using the included L shape of screwdriver. (Fig. 24)

**Step 6.** Screw the finial into the threaded rod of light kit. (Fig. 25)

**CAUTION:** Do not over tighten finial as this could crack or break glass.

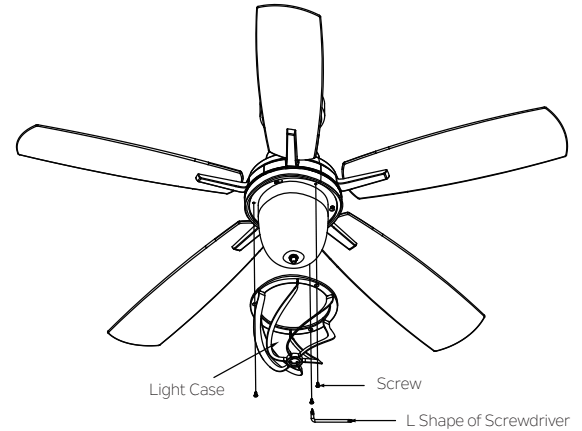


Fig. 24

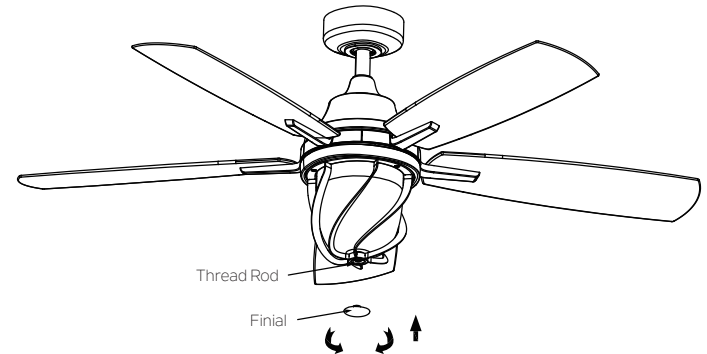


Fig. 25

# OPERATING INSTRUCTIONS

**Step 1.** Select a location to install your handset control holder, install the holder as shown. (Fig. 26)

**Step 2.** Using a screwdriver, remove the battery cover from the handset and save the screw for later use. (Fig. 27)

**Step 3.** To make fan operational, install two 3V CR2032 batteries (included). (Fig. 28)

**WARNING:** Chemical Burn Hazard. Keep batteries away from children.

**NOTE:** If not used for long periods of time, remove batteries to prevent damage to the handset control. Store the control away from excessive heat or humidity.

To operate the reverse function on this fan, press the “Reverse” button while fan is running.

Speed setting for warm or cool weather depends on factors such as the room size, ceiling height, number of fans and so on.

**Warm Weather Operation:** Forward (counter clockwise). A downward airflow creates a cooling effect (Fig. 29). This allows you to set your air conditioner on a warmer setting without affecting your general comfort.

**Cool Weather Operation:** Reverse (clockwise). An upward airflow moves warm air off the ceiling areas (Fig. 30). This allows you to set your heating unit on a cooler setting without affecting your general comfort.

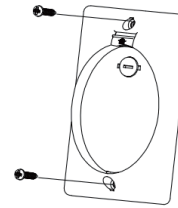


Fig. 26

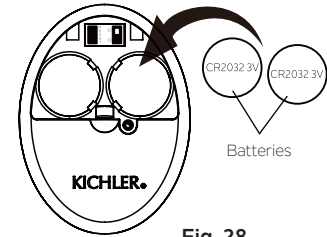


Fig. 28

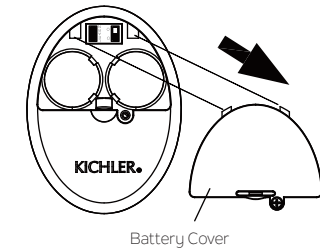


Fig. 27

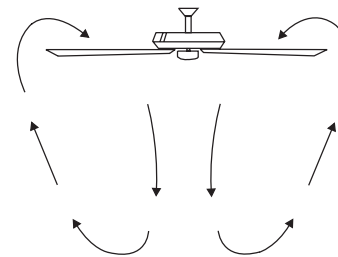


Fig. 29

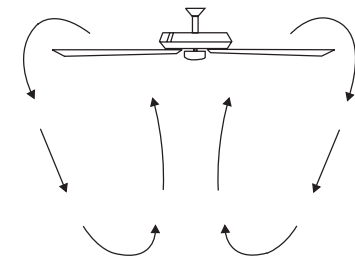


Fig. 30

# OPERATING INSTRUCTIONS

**NOTE:** Each handset control carries a unique ID code to facilitate communication between paired devices. The ID code is set by factory and is not user changeable. However, you will be required to perform an “ID code learning” process manually under these circumstances:

- If you have multiple fans installed within a close proximity and want to control all fans using a same handset control.

**NOTE:** Each fan requires its own receiver.

- When your remote control is not responding (make sure battery is not flat).
- After you have replaced a faulty transmitter or receiver with a new one.

Otherwise the remote control will not work. To perform this process manually, follow steps below: After installing and wiring the unit, restore power to your fan, press and hold the LEARN key for 1-3 seconds, the fan will turn on at medium speed and light (if installed) will turn on. This confirms that the learning process have been completed. This operation must be completed within 30 seconds after restoring power to the fan. (Fig. 31)

**NOTE:** Ensure slide switch in battery compartment marked “D O” is set to “D” position. (Fig. 31)

**Step 4.** Replace the battery cover and tighten with screwdriver. (Fig. 31)

**Step 5.** The buttons control the fan speed and light as follows: (Fig. 32)

•	Low speed
••	Medium speed
•••	High speed
⏻	Fan OFF
↻	Airflow (Forward or Reverse)
💡	No function (Do not use this button)
💡	a.) Light ON/ OFF. b.) Press and hold to dim or brighten light to desired level.

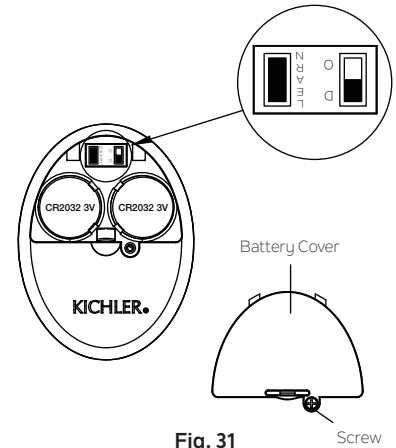


Fig. 31

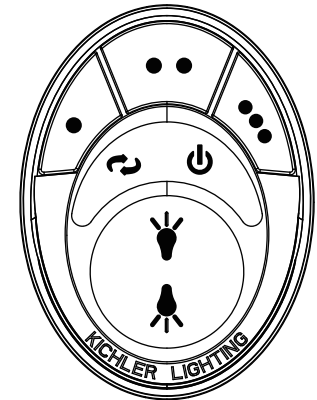


Fig. 32

# TROUBLESHOOTING

## Problem

## Solution

### Fan will not start.

1. Check circuit fuses or breakers.
2. Check all electrical connections to ensure proper contact. **CAUTION:** Make sure the main power is **OFF** when checking any electrical connection.
3. Make sure the transmitter batteries are installed properly.
4. Ensure the batteries have a good charge.

### Fan sounds noisy.

1. Make sure all motor housing screws are snug.
2. Make sure the screws that attach the fan blade brackets to the motor are tight.
3. Make sure wire nut connections are not rubbing against each other or the interior wall of the switch housing. **CAUTION:** Make sure main power is off.
4. Allow a 24-hour “breaking-in” period. Most noise associated with a new fan disappear during this time.
5. If using an optional light kit, make sure the screws securing the glassware are tight. Make sure the light bulbs are not touching any other component.
6. Do not connect this fan to wall mounted variable speed control(s). They are not compatible with ceiling fan motors or remote controls.
7. Make sure the upper canopy is a short distance from the ceiling. It should not touch the ceiling.

# TROUBLESHOOTING

## Problem

## Solution

### Fan wobble.

1. Check that all blade and blade arm screws are secure.
2. Most fan wobbling problems are caused when blade levels are unequal. Check this level by selecting a point on the ceiling above the tip of one of the blades. Measure this distance. Rotate the fan until the next blade is positioned for measurement. Repeat for each blade. The distance deviation should be equal within 1/8".
3. If the blade wobble is still noticeable, interchanging two adjacent (side by side) blades can redistribute the weight and possibly result in smoother operation.

### Remote control malfunction.

1. Ceiling Fans with remote control systems CAN NOT be operated in conjunction with any other control system EXCEPT a basic On/Off wall switch if desired.

**WARNING: TO REDUCE THE RISK OF PERSONAL INJURY AND TO ENSURE THE PROPER OPERATION OF YOUR CEILING FAN. NEVER ATTACH THE BLADE ASSEMBLIES UNTIL THE CEILING FAN HAS BEEN MOUNTING ON THE CEILING. DO NOT BEND THE BLADE ARMS WHILE INSTALLING, BALANCING OR CLEANING THE FAN. DO NOT INSERT FOREIGN OBJECTS BETWEEN ROTATING FAN BLADES.**

## FCC INFORMATION

This device complies with part 15 of the FCC Rules. Operation is subject to the following two conditions:

- 1) This device may not cause harmful interference, and
- 2) This device must accept any interference received, including interference that may cause undesired operation.

Note: This equipment has been tested and found to comply with the limits for a Class B digital device, pursuant to part 15 of the FCC Rules. These limits are designed to provide reasonable protection against harmful interference in a residential installation. This equipment generates, uses and can radiate radio frequency energy and, if not installed and used in accordance with the instructions, may cause harmful interference to radio communications. However, there is no guarantee that interference will not occur in a particular installation. If this equipment does cause harmful interference to radio or television reception, which can be determined by turning the equipment off and on, the user is encouraged to try to correct the interference by one or more of the following measures:

- Reorient or relocate the receiving antenna.
- Increase the separation between the equipment and receiver.
- Connect the equipment into an outlet on a circuit different from that to which the receiver is connected.
- Consult the dealer or an experienced radio/TV technician for help.

# KICHLER®

**KICHLER LIGHTING**

**7711 EAST PLEASANT VALLEY ROAD**

**CLEVELAND, OHIO 44131**

**CUSTOMER SERVICE 866.558.5706**

**8:00 AM TO 5:00 PM EST, MONDAY - FRIDAY**

# KICHLER®

## LED Lydra 52"

Les images du produit peuvent varier légèrement par rapport au produit réel.



## MANUEL D'INSTRUCTIONS



# TABLE DES MATIÈRES

RÈGLES DE SÉCURITÉ .....	4	FIXATION DES LAMES DU VENTILATEUR.....	12
OUTILS NÉCESSAIRES .....	5	INSTALLATION DU BOÎTIER DE COMMUTATEUR ....	13
CONTENU DU COLIS.....	5	INSTALLATION DU KIT D'ÉCLAIRAGE ET DU VERRE .....	14
OPTIONS DE MONTAGE.....	6	INSTRUCTIONS D'UTILISATION .....	16
SUSPENDRE LE VENTILATEUR.....	7	DÉPANNAGE .....	18
INSTALLATION DU SUPPORT DE SÉCURITÉ.....	9	INFORMATIONS FCC.....	20
RACCORDEMENTS ÉLECTRIQUES.....	10		
FINITION DE L'INSTALLATION DU MOTEUR .....	11		

# RÈGLES DE SÉCURITÉ

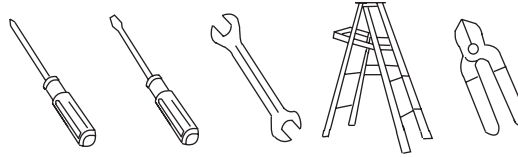
1. **ATTENTION : RISQUE DE CHOC :**  
Débranchez l'alimentation au panneau du disjoncteur principal ou à la boîte à fusibles principale avant de démarrer et pendant l'installation.
2. **AVERTISSEMENT :** Ce luminaire est conçu pour être installé conformément au National Electrical Code (NEC) et à toutes les particularités du code local. Si vous n'êtes pas familier avec les exigences du code, l'installation par un électricien certifié est recommandée.
3. **AVERTISSEMENT :** Pour réduire le risque d'incendie ou d'électrocution, utilisez uniquement la commande fournie avec le ventilateur.
4. **AVERTISSEMENT :** Pour réduire le risque d'incendie, d'électrocution ou de blessure corporelle, montez directement sur un élément de charpente structurelle ou sur un boîtier de sortie marquée « Acceptable pour un support de ventilateur de 15,9 kg (35 lb) ou moins ». Pour le montage du boîtier de sortie, utilisez les vis de montage fournies avec le boîtier de sortie.
5. **AVERTISSEMENT :** Risque de brûlure chimique. Tenir les piles hors de la portée des enfants. Cette télécommande contient une pile bouton au lithium. Une petite pile/pile bouton au lithium neuve ou usagée qui est avalée ou pénètre dans le corps peut provoquer de graves brûlures internes et entraîner la mort en 2 heures seulement. Le compartiment à piles doit toujours être bien fermé. Si le compartiment des piles ne se ferme pas correctement, cesser d'utiliser le produit, retirer les piles et le garder hors de portée des enfants. Si vous pensez que des piles ont été avalées ou se trouvent dans le corps, consulter immédiatement un médecin. Jeter les cellules correctement et les tenir hors de portée des enfants. Même les cellules utilisées peuvent entraîner des blessures.
6. Pour activer la fonction d'inversion sur ce ventilateur, appuyez sur le bouton « Inversion » pendant que le ventilateur fonctionne.
7. Évitez de placer des objets sur la trajectoire des pales.
8. Pour éviter des blessures corporelles ou des dommages au ventilateur et à d'autres éléments, soyez prudent lorsque vous travaillez autour ou nettoyez le ventilateur.
9. Assurez-vous que le site d'installation que vous choisissez permet un dégagement minimum de 7 pieds entre les pales et le sol et d'au moins 30 pouces des extrémités des pales vers n'importe quel obstacle.
10. N'utilisez pas d'eau ou de détergents pour nettoyer le ventilateur ou les pales du ventilateur. Un chiffon sec à poussière ou un chiffon légèrement humide conviendra pour la plupart des nettoyages.
11. Après avoir effectué les raccordements électriques, les conducteurs raccordés doivent être tournés vers le haut et poussés avec précaution dans le boîtier de sortie. Les fils doivent être écartés avec le fil de terre et le fil blanc (commun) d'un côté avec le fil noir (charge) de l'autre côté du boîtier de sortie.
12. Les schémas électriques sont fournis à titre indicatif uniquement. Les kits d'éclairage qui ne sont pas fournis avec le ventilateur doivent être homologués ETL et étiquetés comme appropriés pour une utilisation avec le modèle de ventilateur que vous installez. Les commutateurs doivent être des commutateurs à usage général ETL. Reportez-vous aux instructions fournies avec les kits d'éclairage et les interrupteurs pour un assemblage correct.

## AVERTISSEMENT

POUR RÉDUIRE LES RISQUES DE BLESSURES CORPORELLES, NE PLIEZ PAS LES SUPPORTS DE PALE (ÉGALEMENT APPELÉS À BRIDES) PENDANT LE MONTAGE OU APRÈS L'INSTALLATION. NE PAS INSÉRER D'OBJETS SUR LE PASSAGE DES PALES.

# OUTILS ET MATÉRIAUX NÉCESSAIRES

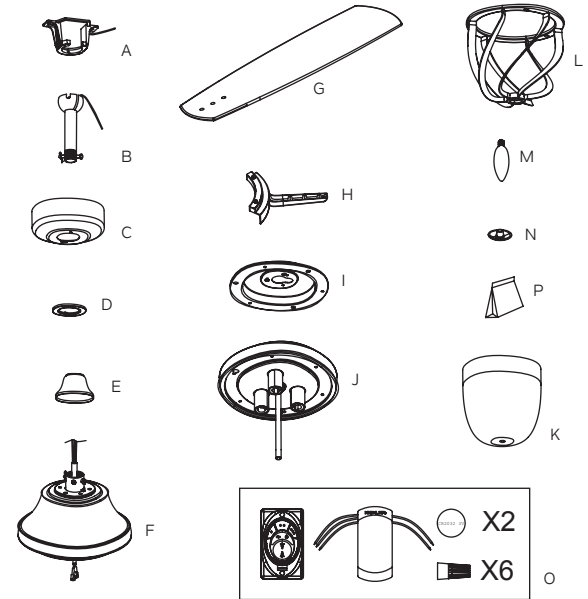
- Tournevis cruciforme
- Tournevis à lame
- Clé de 11 mm
- Escabeau
- Pincés coupantes



# CONTENU DU COLIS

Déballer votre ventilateur et vérifiez le contenu. Vous devriez avoir les éléments suivants :

- A. Support de montage
- B. Ensemble boule / tige descendante
- C. Auvent
- D. Couvercle du trou de l'auvent
- E. Couvercle d'accouplement
- F. Corps du moteur
- G. Pale de ventilateur (5)
- H. Bras de pale (5)
- I. Boîtier de commutateur
- J. Kit d'éclairage
- K. Verre
- L. Boîtier d'éclairage
- M. Ampoule LED (3)
- N. Fleuron
- O. Kit de télécommande :
  - Télécommande (1)
  - Récepteur (1)
  - Piles (2)
  - Connecteurs de fil (6)
- P. Matériel d'emballage
  - 1) Matériel de montage :
    - Connecteur de fil (3)
  - 2) Matériel de fixation de pale :
    - Vis (15), rondelles (15)
  - 3) Matériel du câble de sécurité :
    - Vis à bois (1), Rondelle à ressort (1)
    - Rondelle plate (1)
  - 4) Matériel de fixation du verre :
    - Rondelle en silicone (1), Rondelle en métal (1)
    - Écrou manuel (1)
  - 5) Matériel de boîtier d'éclairage :
    - Tournevis en L (1)



# OPTIONS DE MONTAGE

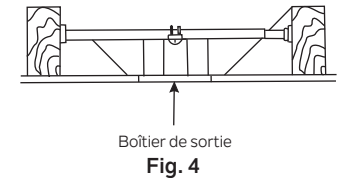
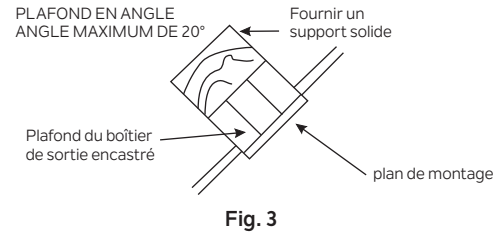
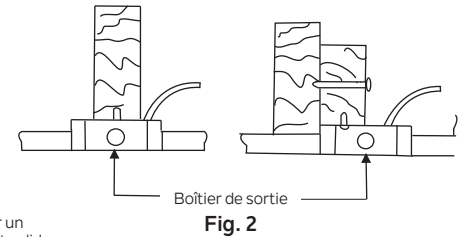
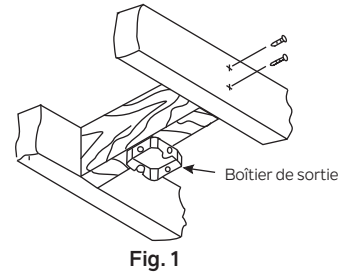
S'il n'y a pas de boîtier de montage homologué UL (cUL pour installation canadienne), lisez les instructions suivantes. Débranchez l'alimentation en retirant les fusibles ou en désactivant les disjoncteurs.

Fixez le boîtier de sortie directement à la structure du bâtiment. Utilisez des fixations et des matériaux de construction appropriés. Le boîtier de sortie et son support doivent pouvoir supporter entièrement le poids total du ventilateur (jusqu'à 50 lb). N'utilisez pas de boîtiers de sortie en plastique.

Les figures 1, 2 et 3 sont des exemples des différentes manières de monter le boîtier de sortie.

**REMARQUE :** Si vous installez le ventilateur de plafond sur un plafond en pente (voûté), vous aurez peut-être besoin d'une tige descendante plus longue pour maintenir un dégagement approprié entre la pointe de la pale et le plafond. Un dégagement minimum de 12" est suggéré pour un fonctionnement optimal.

**REMARQUE :** Selon l'endroit que vous avez choisi pour l'installation, vous devrez peut-être acheter et installer une « suspente de solive » pour soutenir le boîtier de sortie. Assurez-vous que la suspente de solive que vous achetez a été conçu pour être utilisé avec des ventilateurs de plafond. (Fig. 4)



# SUSPENDRE LE VENTILATEUR

**RAPPELEZ-VOUS** de couper l'alimentation avant de commencer l'installation. Ceci est nécessaire pour votre sécurité et également pour la bonne programmation du système de commande.

Pour installer correctement votre ventilateur de plafond, suivez les étapes ci-dessous.

**Étape 1.** Avant de fixer le ventilateur au boîtier de sortie (non incluse), assurez-vous que le boîtier de sortie est solidement fixé à au moins deux points à un élément du plafond structurel (un boîtier desserré fera vaciller le ventilateur). Faites passer les fils d'alimentation de 120 volts du boîtier de sortie au plafond par le centre du support de montage au plafond. Installez le support de montage sur le boîtier de sortie au plafond à l'aide des vis et rondelles fournies avec le boîtier de sortie. (Fig. 5)

**Étape 2.** Retirez l'épingle et l'axe de chape de l'ensemble de tige de descente, conservez-les pour une utilisation ultérieure. Retirez la boule de suspension de l'assemblage de la tige descendante en desserrant les vis de réglage, en retirant la goupille transversale et en tournant la boule hors de la tige. (Fig. 6)

**REMARQUE :** Assurez-vous de garder le matériel détaché séparément pour éviter toute confusion lors de l'installation.

**Étape 3.** Desserrez les deux vis de réglage sur le couplage du moteur. (Fig. 7)

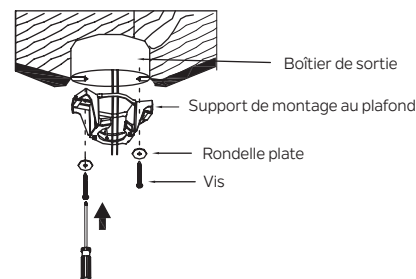


Fig. 5

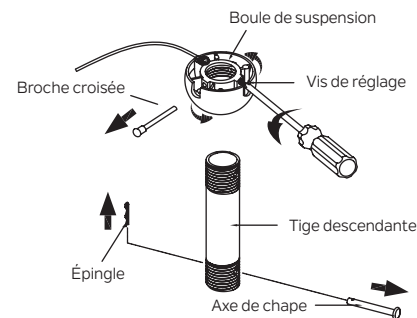


Fig. 6

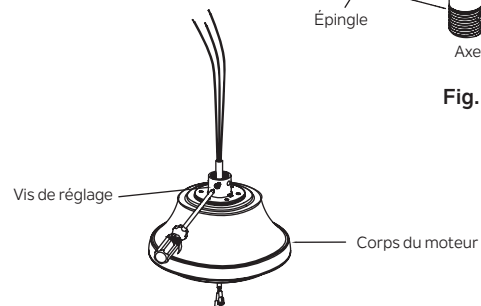


Fig. 7

## SUSPENDRE LE VENTILATEUR (suite)

**Étape 4.** Faites passer avec précaution les fils du ventilateur et le câble de sécurité à travers la tige descendante. Vissez la tige descendante sur l'accouplement du moteur jusqu'à ce que les trous des broches de la chape soient alignés. Ensuite, remplacez l'axe de chape et l'épingle, puis serrez les deux vis de réglage. (Fig. 8)

**Étape 5.** Glissez le couvercle du couplage, le couvercle de l'orifice de l'auvent et le couvercle sur la tige descendante. Réinstallez soigneusement la boule de suspension sur la tige de suspension. Assurez-vous que la broche croisée est dans la bonne position et que la vis de réglage est serrée et que les fils ne sont pas tordus. (Fig. 9)

**Étape 6.** Soulevez maintenant le corps du moteur et placez la boule de suspension dans le support de montage. Tournez jusqu'à ce que la « languette de contrôle » soit tombée dans la « fente d'enregistrement » et soit fermement en place. (Fig.10) L'ensemble du corps du moteur ne doit pas tourner si cela est fait correctement.

**AVERTISSEMENT :** Le fait de ne pas installer correctement la « languette de contrôle » peut endommager le ventilateur de plafond pendant le fonctionnement.

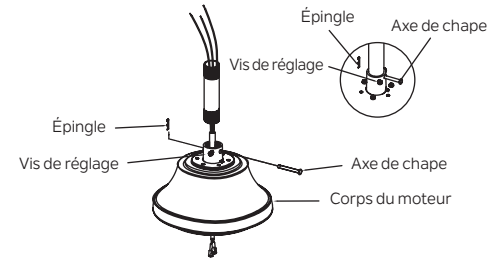


Fig. 8

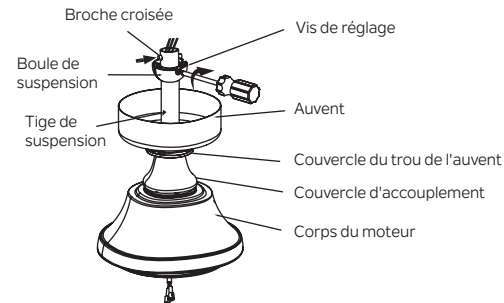


Fig. 9

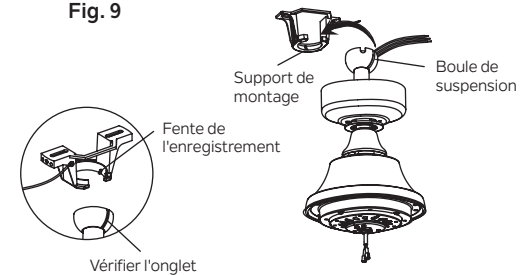


Fig. 10

# INSTALLATION DU SUPPORT DE SÉCURITÉ (requis pour l'installation canadienne UNIQUEMENT)

Un câble de support de sécurité est fourni pour aider à empêcher le ventilateur de plafond de tomber, veuillez l'installer comme suit.

**Étape 1.** Enfoncez une vis à bois et des rondelles dans le côté de l'entretoise qui maintient le boîtier de sortie. Laissez 3 mm (1/8") d'espace entre le renfort de support et la rondelle. (Fig. 11)

**Étape 2.** Insérez le câble de sécurité à travers le support de montage et l'un des trous du boîtier de sortie dans le plafond. Ajustez la longueur du câble de sécurité pour atteindre la vis et les rondelles en tirant le câble supplémentaire à travers le serre-câble jusqu'à ce que la longueur totale soit correcte, remettez l'extrémité du câble à travers le serre-câble, formant une boucle à l'extrémité du câble. Serrez fermement le serre-câble. Maintenant, placez la boucle à l'extrémité du câble de sécurité sur la vis à bois et sous la rondelle. Serrez fermement la vis à bois. (Fig. 12)

**REMARQUE :** Bien que le câble de support de sécurité ne soit requis que pour les installations canadiennes.

C'est une bonne idée de faire la fixation avec n'importe quelle installation.

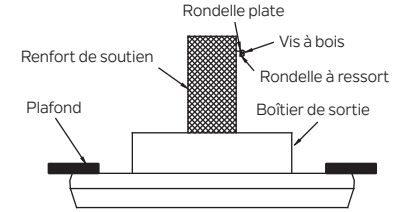


Fig. 11

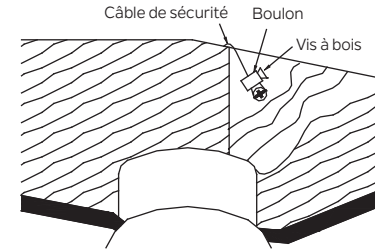


Fig. 12

# EFFECTUER LES RACCORDEMENTS ÉLECTRIQUES

**AVERTISSEMENT :** Pour éviter tout risque d'électrocution, assurez-vous d'avoir coupé l'alimentation au panneau de circuit principal avant de procéder au câblage.

Suivez les étapes ci-dessous pour raccorder le ventilateur à votre câblage domestique. Utilisez les connecteurs de fils fournis avec votre ventilateur. Fixez le connecteur avec du ruban isolant. Assurez-vous qu'il n'y a pas de supports de câbles ou de raccords desserrés.

**AVERTISSEMENT :** Si les fils de votre maison sont de couleurs différentes de celles indiquées dans ce manuel, arrêtez immédiatement. Un électricien professionnel est recommandé pour déterminer le câblage approprié.

**Étape 1.** Insérez le récepteur dans le support de montage et maintenez-le à plat face au plafond. (Fig. 13)

**Étape 2.** Raccordements électriques du moteur au récepteur : Raccordez le fil NOIR du ventilateur au fil NOIR marqué « VERS MOTEUR L » du récepteur. Raccordez le fil BLANC du ventilateur au fil BLANC marqué « VERS MOTEUR N » du récepteur. Raccordez le fil BLEU du ventilateur au fil BLEU marqué « POUR LA LUMIÈRE » du récepteur. Fixez tous les raccords de fils avec les connecteurs de fils en plastique fournis. (Fig. 14)

**Étape 3.** Raccordements électriques du récepteur à distance au boîtier de sortie : Raccordez le fil NOIR (chaud) du plafond au fil NOIR marqué « AC DANS L » depuis le récepteur. Raccordez le fil BLANC (Neutre) du plafond au fil BLANC marqué « AC DANS N » depuis le récepteur. Fixez tous les raccords de fils avec les connecteurs de fils en plastique fournis. (Fig. 14)

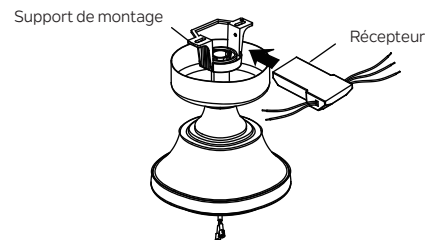


Fig. 13

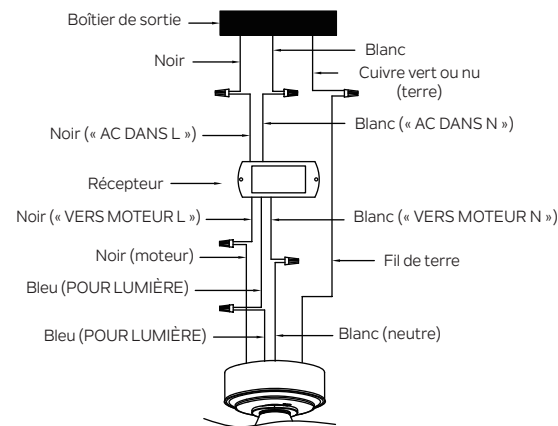


Fig. 14

## EFFECTUER LES RACCORDEMENTS ÉLECTRIQUES

**Étape 4.** Si votre boîtier de sortie a un fil de terre (cuivre vert ou nu), raccordez-le aux fils de terre du ventilateur : sinon raccordez le fil de terre du ventilateur au support de montage. Fixez le raccord du fil avec un écrou en plastique fourni. Après avoir raccordé les fils, écartez-les de manière à ce que les fils vert et blanc soient d'un côté du boîtier de sortie et que les fils noirs et bleus soient de l'autre côté. (Fig. 14)

**REMARQUE :** Rentrez soigneusement les raccordements des fils dans le boîtier de sortie.

**REMARQUE :** Le ventilateur doit être installé à une distance maximale de 30 pieds de l'unité de transmission pour une transmission correcte du signal entre l'unité de transmission et l'unité de réception du ventilateur.

## FINITION DE L'INSTALLATION DU MOTEUR

**Étape 1.** Retirez l'une des deux vis à épaulement du support de montage. Desserrez la deuxième vis à épaulement sans la retirer complètement. (Fig. 15)

**Étape 2.** Assemblez l'auvent en tournant la fente de la clé dans l'auvent sur la vis à épaulement dans le support de montage. Réinstallez la vis à épaulement précédemment retirée, puis resserrez fermement les deux vis à épaulement. (Fig. 16)

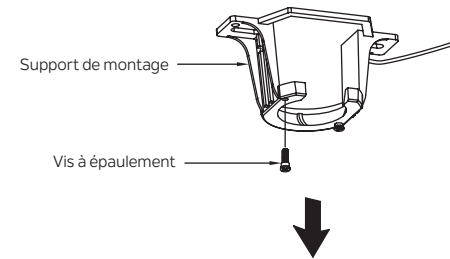


Fig. 15

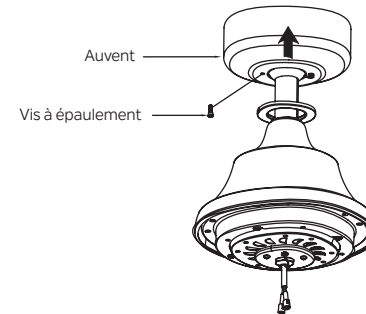
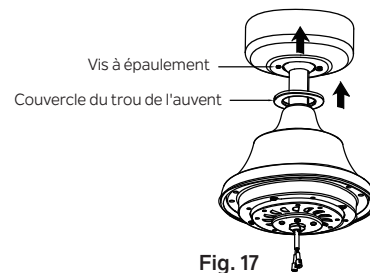


Fig. 16

## FINITION DE L'INSTALLATION DU MOTEUR

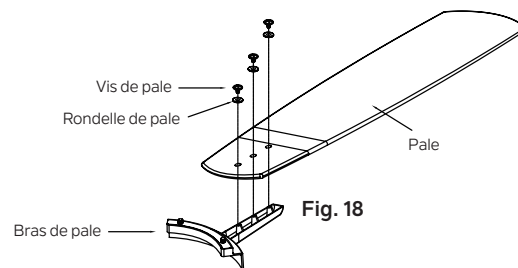
**Étape 3.** Fixez et serrez solidement le couvercle du trou de l'auvent sur les vis à épaulement du support de montage en utilisant la fonction de verrouillage par rotation de la rainure de clé. (Fig. 17)



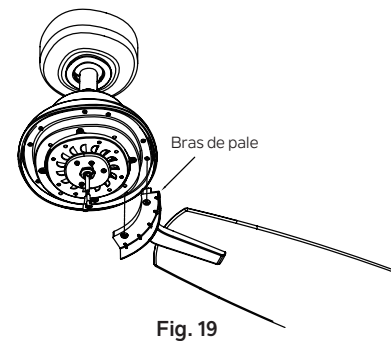
## FIXATION DES PALES DU VENTILATEUR

**REMARQUE :** Avant de continuer, assurez-vous que l'alimentation est coupée en désactivant le disjoncteur ou en retirant le fusible du boîtier de circuit.

**Étape 1.** Placez la pale sur le bras de pale, assurez-vous que le bord inférieur de la pale est bien en place contre le bras de pale, serrez fermement la pale sur le bras de pale avec trois (3) vis de pale et rondelles. Répétez pour les pales restantes. (Fig. 18)



**Étape 2.** Fixez les bras de pale à l'ensemble moteur avec les vis des bras de pale. (Fig. 19)



## INSTALLATION DU BOÎTIER DE COMMUTATEUR

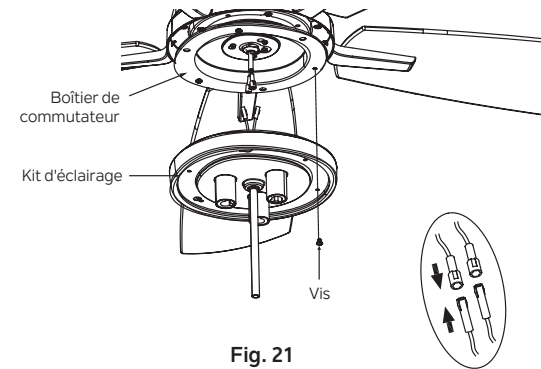
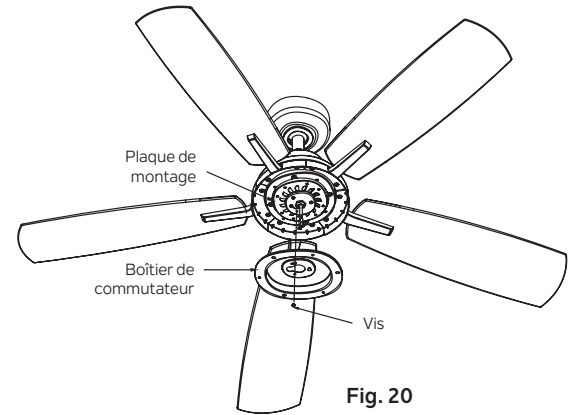
**Étape 1.** Retirez la vis marquée d'une étiquette à points qui est préinstallée sur la plaque de montage et conservez-la pour une utilisation ultérieure. Desserrez les deux autres (ne les retirez pas). Placez les deux trous de fente sur le boîtier du commutateur sur les 2 vis précédemment desserrées depuis la plaque de montage. Faites pivoter le boîtier du commutateur jusqu'à ce qu'il se verrouille en place à l'extrémité étroite des trous de clé. Fixez en serrant les 2 vis précédemment desserrées et celle précédemment retirée. (Fig. 20)

## INSTALLATION DU KIT D'ÉCLAIRAGE ET DU VERRE

**REMARQUE :** Avant de poursuivre l'installation, vérifiez que l'alimentation est toujours coupée au niveau du disjoncteur principal ou en retirant le fusible du circuit. La mise hors tension à l'aide de l'interrupteur mural ne suffit pas pour éviter les électrocutions.

**Étape 1.** Tenez le kit d'éclairage près du boîtier de l'interrupteur et raccordez les fils BLANC du kit d'éclairage et du ventilateur en poussant les connecteurs ensemble. Suivez la même procédure avec les fils NOIRS. (Fig. 21)

**Étape 2.** Rentrez soigneusement les raccordements dans le kit d'éclairage. Retirez l'une des trois vis préinstallées sur le boîtier de l'interrupteur et conservez-la pour une utilisation ultérieure. Desserrez les 2 autres vis (ne les retirez pas). Placez les deux trous de fente sur le kit d'éclairage sur les 2 vis précédemment desserrées depuis le boîtier de l'interrupteur. Faites pivoter le kit d'éclairage jusqu'à ce qu'il se verrouille en place à l'extrémité étroite des trous de clé. Fixez en serrant les 2 vis précédemment desserrées et celle précédemment retirée. (Fig. 21)



## INSTALLATION DU KIT D'ÉCLAIRAGE ET DU VERRE

**Étape 3.** Insérez des ampoules LED de 4 watts maximum (incluses) dans chaque douille. Si nécessaire, remplacez-les par des ampoules de même puissance. (Fig. 22)

**ATTENTION :** Un limiteur de puissance à économie d'énergie est inclus dans le récepteur du ventilateur. Lors du remplacement des ampoules, assurez-vous que la puissance de l'ampoule est inférieure à 190 watts, sinon l'article ne fonctionnera pas.

**Étape 4.** Tenez le verre à travers la tige, fixez-le avec une rondelle en silicone, une rondelle en métal et un écrou manuel. (Fig. 23)

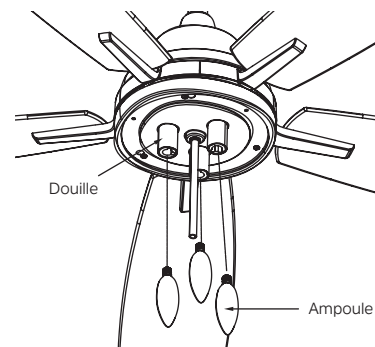


Fig. 22

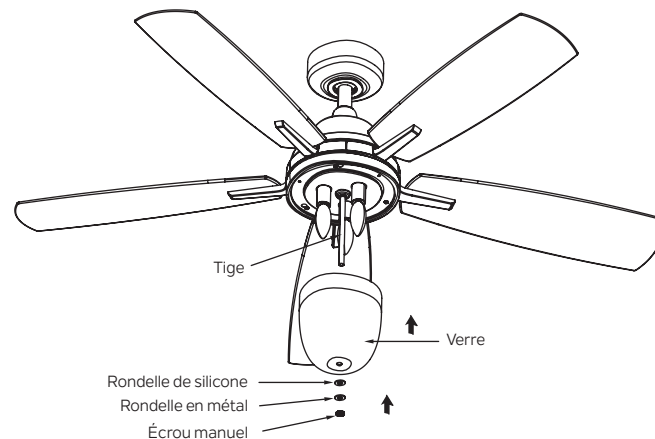


Fig. 23

# INSTALLATION DU KIT D'ÉCLAIRAGE ET DU VERRE

**Étape 5.** Fixez le boîtier d'éclairage au kit d'éclairage, alignez-le avec trois (3) trous ronds, serrez avec trois (3) vis à l'aide du tournevis en forme de L inclus. (Fig. 24)

**Étape 6.** Vissez le fleuron dans la tige filetée du kit d'éclairage. (Fig. 25)

**ATTENTION :** Ne serrez pas trop le fleuron car cela pourrait fissurer ou briser le verre.

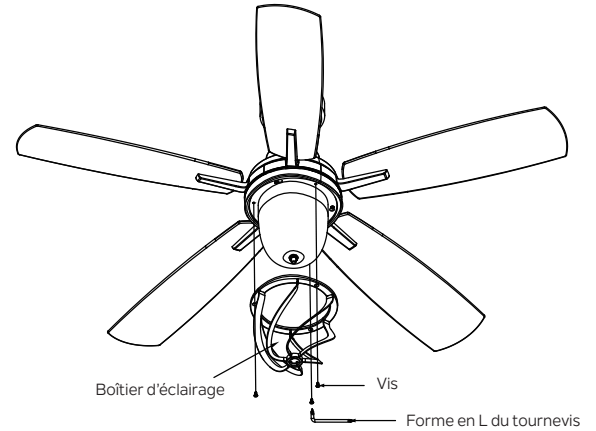


Fig. 24

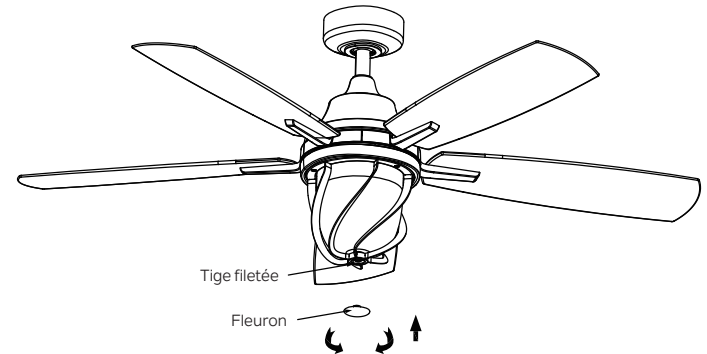


Fig. 25

# INSTRUCTIONS D'UTILISATION

**Étape 1.** Sélectionnez un emplacement pour installer le support de votre télécommande, installez le support comme indiqué. (Fig. 26)

**Étape 2.** À l'aide d'un tournevis, retirez le couvercle de la batterie du combiné et conservez la vis pour une utilisation ultérieure. (Fig. 27)

**Étape 3.** Pour rendre le ventilateur opérationnel, installez deux piles 3V CR2032 (incluses). (Fig. 28)

**AVERTISSEMENT :** Risque de brûlure chimique. Gardez les piles hors de portée des enfants.

**REMARQUE :** Si elle n'est pas utilisée pendant de longues périodes, retirez les piles pour éviter d'endommager la télécommande. Stockez la télécommande à l'abri d'une chaleur ou d'une humidité excessive.

Pour activer la fonction d'inversion sur ce ventilateur, appuyez sur le bouton « Inversion » pendant que le ventilateur fonctionne.

Le réglage de la vitesse par temps chaud ou frais dépend de facteurs tels que la taille de la pièce, la hauteur du plafond, le nombre de ventilateurs, etc.

**Fonctionnement par temps chaud :** Avant (sens anti-horaire). Un flux d'air descendant crée un effet de refroidissement (Fig. 29). Cela vous permet de régler votre climatiseur sur un réglage plus chaud sans affecter votre confort général.

**Fonctionnement par temps frais :** Inverser (sens horaire). Un flux d'air ascendant évacue l'air chaud des zones du plafond (Fig. 30). Cela vous permet de régler votre unité de chauffage sur un réglage plus froid sans affecter votre confort général.

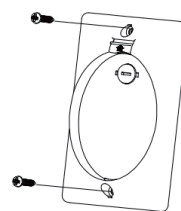


Fig. 26

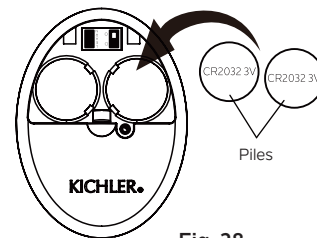


Fig. 28

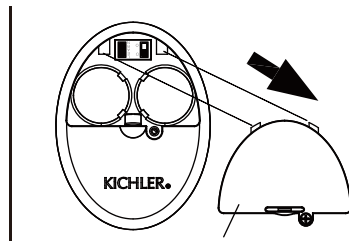


Fig. 27

Couvercle des piles

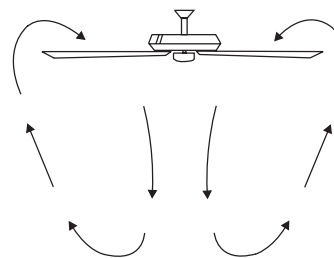


Fig. 29

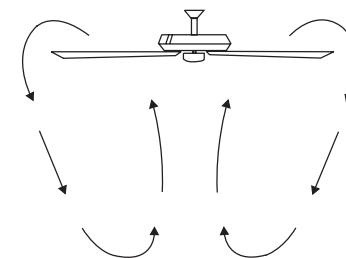


Fig. 30

# INSTRUCTIONS D'UTILISATION

**REMARQUE :** Chaque télécommande porte un code d'identification unique pour faciliter la communication entre les appareils couplés. Le code d'identification est défini en usine et n'est pas modifiable par l'utilisateur. Cependant, vous devrez effectuer manuellement un processus « d'apprentissage du code d'identification » dans ces circonstances :

- Si vous avez plusieurs ventilateurs installés à proximité et que vous souhaitez contrôler tous les ventilateurs à l'aide d'une même télécommande.

**REMARQUE :** Chaque ventilateur nécessite son propre récepteur.

- Lorsque votre télécommande ne répond pas (assurez-vous que la pile n'est pas déchargée).
- Après avoir remplacé un émetteur ou un récepteur défectueux par un neuf.

Sinon, la télécommande ne fonctionnera pas. Pour effectuer ce processus manuellement, suivez les étapes ci-dessous : Après l'installation et le câblage de l'unité, rétablissez l'alimentation de votre ventilateur, appuyez sur la touche LEARN et maintenez-la enfoncée pendant 1 à 3 secondes, le ventilateur se mettra en marche à vitesse moyenne et la lumière (si installée) s'allumera. Cela confirme que le processus d'apprentissage est terminé. Cette opération doit être effectuée dans les 30 secondes suivant la remise sous tension du ventilateur. (Fig. 31)

**REMARQUE :** Assurez-vous que l'interrupteur à glissière dans le compartiment à piles marqué « DO » est en position « D ». (Fig. 31)

**Étape 4.** Remettez le couvercle de la pile et serrez avec un tournevis. (Fig. 31)

**Étape 5.** Les boutons contrôlent la vitesse et la lumière du ventilateur comme suit : (Fig. 32)

•	Vitesse faible
••	Vitesse moyenne
•••	Vitesse élevée
⏻	Ventilateur Arrêté
↻	Flux d'air (avant ou arrière)
💡	Aucune fonction (ne pas utiliser ce bouton)
💡	a.) Lumière MARCHÉ/ARRÊT. b.) Appuyez et maintenez pour atténuer ou éclaircir la lumière au niveau souhaité.

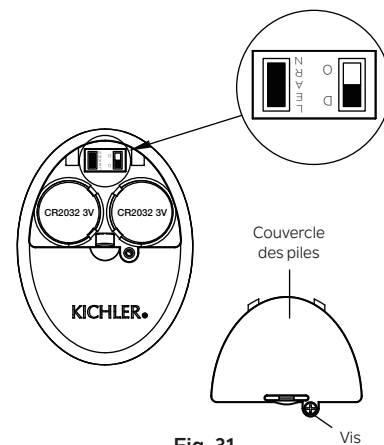


Fig. 31

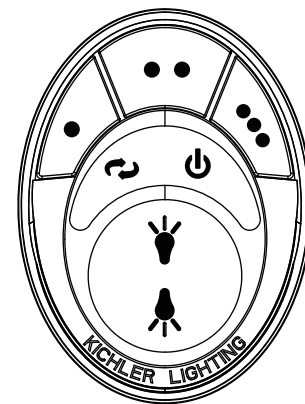


Fig. 32

# DÉPANNAGE

## Problème

## Solution

**Le ventilateur ne démarre pas.**

1. Vérifiez les fusibles ou les disjoncteurs.
2. Vérifiez tous les raccordements électriques pour assurer un bon contact.  
**ATTENTION :** Assurez-vous que l'alimentation principale est **coupée** lors de la vérification de tout raccordement électrique.
3. Assurez-vous que les piles de l'émetteur sont correctement installées.
4. Assurez-vous que les piles sont bien chargées.

**Le ventilateur fait du bruit.**

1. Assurez-vous que toutes les vis du boîtier du moteur sont bien serrées.
2. Assurez-vous que les vis qui fixent les supports des pales du ventilateur au moteur sont bien serrées.
3. Assurez-vous que les raccords des écrous métalliques ne frottent pas les uns contre les autres ou contre la paroi intérieure du boîtier de l'interrupteur. **ATTENTION :** Assurez-vous que l'alimentation principale est coupée.
4. Prévoyez une période de « rodage » de 24 heures. La plupart des bruits associés à un nouveau ventilateur disparaissent pendant ce temps.
5. Si vous utilisez un kit d'éclairage en option, assurez-vous que les vis fixant la verrerie sont bien serrées. Assurez-vous que les ampoules ne touchent aucun autre composant.
6. Ne connectez pas ce ventilateur à une ou plusieurs commandes de vitesse variable fixées au mur. Ils ne sont pas compatibles avec les moteurs de ventilateurs de plafond ou les télécommandes.
7. Assurez-vous que la verrière supérieure est à une courte distance du plafond. Elle ne doit pas toucher le plafond.

# DÉPANNAGE

## Problème

## Solution

### Le ventilateur vacille.

1. Vérifiez que toutes les vis de la pale et du bras de pale sont bien fixées.
2. La plupart des problèmes d'oscillation du ventilateur sont causés lorsque les niveaux des pales sont inégaux. Vérifiez ce niveau en sélectionnant un point sur le plafond au-dessus de la pointe de l'une des pales. Mesurez cette distance. Faites tourner le ventilateur jusqu'à ce que la pale suivante soit positionnée pour la mesure. Répétez pour chaque pale. L'écart de distance doit être égal à 1/8".
3. Si l'oscillation de la pale est toujours perceptible, interchanger deux pales adjacentes (côte à côte) peut redistribuer le poids et éventuellement entraîner un fonctionnement plus fluide.

### Dysfonctionnement de la télécommande.

1. Les ventilateurs de plafond équipés de systèmes de télécommande NE PEUVENT PAS être utilisés avec un autre système de commande SAUF un interrupteur mural marche/arrêt de base si vous le souhaitez.

**AVERTISSEMENT : POUR RÉDUIRE LES RISQUES DE BLESSURES CORPORELLES ET POUR ASSURER LE BON FONCTIONNEMENT DE VOTRE VENTILATEUR DE PLAFOND. NE JAMAIS FIXER LES ASSEMBLAGES DE PALE AVANT QUE LE VENTILATEUR DE PLAFOND N'AIT ÉTÉ MONTÉ AU PLAFOND. NE PLIEZ PAS LES BRAS DE PALE PENDANT L'INSTALLATION, L'ÉQUILIBRAGE OU LE NETTOYAGE DU VENTILATEUR. NE PAS INSÉRER D'OBJETS ÉTRANGERS ENTRE LES PALES DU VENTILATEUR EN ROTATION.**

## INFORMATIONS FCC

Cet appareil est conforme aux exigences de la section 15 du règlement de la FCC. Fonctionnement assujéti aux deux (2) conditions d'utilisation suivantes :

- 1) Cet appareil ne doit pas provoquer d'interférences nuisibles, et
- 2) Cet appareil doit accepter tous les brouillages reçus, y compris ceux pouvant causer un fonctionnement indésirable.

Remarque : Cet équipement a été testé et déclaré conforme aux limites d'un appareil numérique de classe B, conformément à la partie 15 des règles FCC. Ces limites sont conçues pour fournir une protection raisonnable contre les interférences nuisibles dans une installation résidentielle. Cet équipement génère, utilise et peut émettre de l'énergie radiofréquence et, s'il n'est pas installé et utilisé conformément aux instructions, peut provoquer des interférences nuisibles aux communications radio. Cependant, il n'y a aucune garantie que des interférences ne se produiront pas dans une installation particulière. Si cet équipement provoque des interférences nuisibles à la réception de la radio ou de la télévision, ce qui peut être déterminé en éteignant et en rallumant l'équipement, l'utilisateur est encouragé à essayer de corriger les interférences par une ou plusieurs des mesures suivantes :

- Réorientez ou déplacez l'antenne de réception.
- Augmentez l'espace entre l'équipement et le récepteur.
- Branchez l'équipement à une prise sur un circuit différent de celui auquel le récepteur est raccordé.
- Consultez le revendeur ou un technicien radio/TV expérimenté pour obtenir de l'aide.

# KICHLER®

**KICHLER LIGHTING**

**7711 EAST PLEASANT VALLEY ROAD**

**CLEVELAND, OHIO 44131**

**SERVICE À LA CLIENTÈLE 866.558.5706**

**8 h à 17 h EST, DU LUNDI AU VENDREDI**

# KICHLER®

## 52" Lydra LED

Las imágenes del producto pueden diferir ligeramente del producto real.



## MANUAL DE INSTRUCCIONES



# ÍNDICE

NORMAS DE SEGURIDAD.....	4	COLOCACIÓN DE LAS ASPAS DEL VENTILADOR .....	12
HERRAMIENTAS NECESARIAS .....	5	INSTALACIÓN DE LA CARCASA DEL INTERRUPTOR.....	13
CONTENIDO DEL PAQUETE.....	5	INSTALACIÓN DEL KIT DE ILUMINACIÓN Y EL VIDRIO .....	14
OPCIONES DE MONTAJE.....	6	INSTRUCCIONES DE FUNCIONAMIENTO .....	16
COLGAR EL VENTILADOR.....	7	RESOLUCIÓN DE PROBLEMAS.....	18
INSTALACIÓN DE SOPORTE DE SEGURIDAD .....	9	INFORMACIÓN DE LA FCC.....	20
CONEXIONES ELÉCTRICAS.....	10		
FINALIZACIÓN DE LA INSTALACIÓN DEL MOTOR.....	11		

# NORMAS DE SEGURIDAD

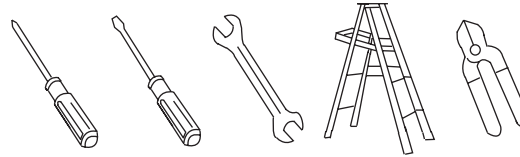
1. **PRECAUCIÓN - RIESGO DE CHOQUE -** Desconecte la energía en el panel del disyuntor principal o en la caja de fusibles principal antes de comenzar y durante la instalación.
2. **ADVERTENCIA:** Este accesorio está diseñado para su instalación de acuerdo con el Código Eléctrico Nacional (National Electrical Code, NEC) y todas las especificaciones del código local. Si no está familiarizado con los requisitos del código, se recomienda la instalación por parte de un electricista certificado.
3. **ADVERTENCIA:** Para reducir el riesgo de incendio o descarga eléctrica, use solo el control provisto con el ventilador.
4. **ADVERTENCIA:** Para reducir el riesgo de incendio, descarga eléctrica o lesiones personales, móntelo directamente en un miembro de estructura estructural o en una caja de salida marcada como "Aceptable para soporte de ventilador de 15.9 kg (35 libras) o menos". Para el montaje de la caja de salida, use los tornillos de montaje proporcionados con la caja de salida.
5. **ADVERTENCIA:** Peligro de quemaduras químicas. Mantenga las pilas alejadas de los niños. Este control remoto contiene una pila tipo botón de litio. Si se traga o entra en el cuerpo una pila tipo botón/moneda de litio nueva o usada, puede causar graves quemaduras internas y puede provocar la muerte en tan sólo 2 horas. Siempre asegure completamente el compartimento de las pilas. Si el compartimento de las pilas no cierra bien, deje de usar el producto, retire las pilas y manténgalas alejadas de los niños. Si cree que las pilas pueden haber sido tragadas o colocadas dentro de alguna parte del cuerpo, busque atención médica inmediata. Deseche las pilas de manera adecuada y manténgalas alejadas de los niños. Incluso las pilas usadas pueden causar lesiones.
6. Para operar la función de retroceso en este ventilador, presione el botón "Retroceso" mientras el ventilador está funcionando.
7. Evite colocar objetos en el camino de las aspas.
8. Para evitar lesiones personales o daños al ventilador y otros elementos, tenga cuidado cuando trabaje alrededor o limpie el ventilador.
9. Asegúrese de que el sitio de instalación que elija permita un espacio libre mínimo de 7 pies desde las aspas hasta el piso y al menos 30 pulgadas desde los extremos de las aspas hasta cualquier obstrucción.
10. No use agua ni detergentes para limpiar el ventilador o las aspas del ventilador. Un paño seco para el polvo o un paño ligeramente humedecido será adecuado para la mayor parte de la limpieza.
11. Después de realizar las conexiones eléctricas, los conductores empalmados deben girarse hacia arriba y empujarse con cuidado hacia la caja de distribución. Los cables deben separarse con el cable de tierra y el cable blanco (común) a un lado con el cable negro (carga) al otro lado de la caja de salida.
12. Los diagramas eléctricos se proporcionan solo para fines de referencia. Los kits de luces que no estén empaquetados con el ventilador deben cumplir con la marca ETL Listed y marcados como adecuados para usar con el modelo de ventilador que está instalando. Los interruptores deben ser interruptores de uso general ETL. Consulte las instrucciones empaquetadas con los kits de luces e interruptores para un montaje adecuado.

## ADVERTENCIA

PARA REDUCIR EL RIESGO DE LESIONES PERSONALES, NO DOBLE LOS SOPORTES DEL ASPA (TAMBIÉN DENOMINADOS BRIDAS) DURANTE EL MONTAJE O DESPUÉS DE LA INSTALACIÓN. NO INTRODUZCA OBJETOS EN EL CAMINO DE LAS ASPAS.

# HERRAMIENTAS Y MATERIALES REQUERIDOS

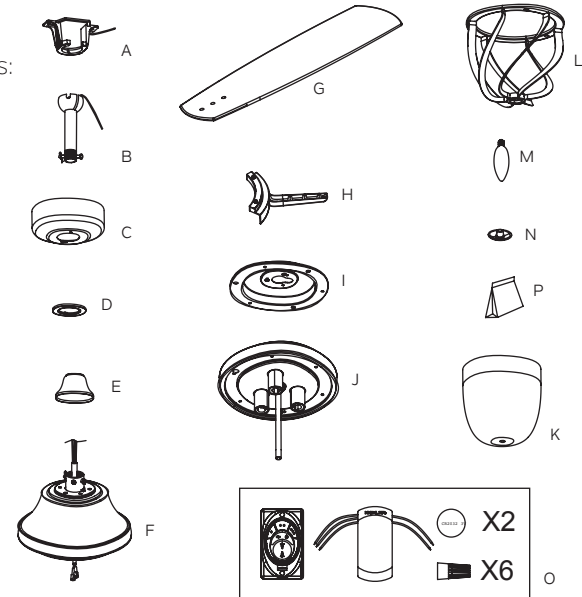
- Destornillador Phillips
- Destornillador plano
- Llave de 11 mm
- Escalera de mano
- Cortadores de alambre



# CONTENIDO DEL PAQUETE

Desempaquete su ventilador y verifique el contenido. Debería tener los siguientes elementos:

- |   |  |
|---|--|
| <p>A. Soporte de montaje</p> <p>B. Conjunto de bola/varilla de extensión</p> <p>C. Dospel</p> <p>D. Cubierta del orificio del dosel</p> <p>E. Cubierta de acoplamiento</p> <p>F. Cuerpo del motor</p> <p>G. Aspa del ventilador (5)</p> <p>H. Brazo de aspa (5)</p> <p>I. Carcasa del interruptor</p> <p>J. Kit de luz</p> <p>K. Vidrio</p> <p>L. Carcasa de luz</p> <p>M. Bombilla LED (3)</p> <p>N. Remate</p> <p>O. Kit de control remoto:<br/>Control remoto (1)<br/>Receptor (1)<br/>Baterías (2)<br/>Conectores de cables (6)</p> | <p>P. Accesorios del paquete</p> <p>1) Accesorios de montaje:<br/>Conector de cable (3)</p> <p>2) Accesorios de fijación del aspa:<br/>Tornillos (15), Arandelas (15)</p> <p>3) Accesorios del cable de seguridad:<br/>Tornillo para madera (1), Arandela de resorte (1)<br/>Arandela plana (1)</p> <p>4) Accesorios de fijación de vidrio:<br/>Arandela de silicona (1),<br/>Arandela de metal (1)<br/>Tuerca manual (1)</p> <p>5) Accesorios de la carcasa de luz:<br/>Tornillo (3)<br/>Destornillador en forma de L (1)</p> |
|---|--|



## OPCIONES DE MONTAJE

Si no existe una caja de montaje con certificación UL (cUL para la instalación canadiense), lea las siguientes instrucciones. Desconecte la energía quitando los fusibles o apagando los disyuntores.

Fije la caja de distribución directamente a la estructura del edificio. Utilice sujetadores y materiales de construcción adecuados. La caja de salida y su soporte deben poder soportar completamente el peso total del ventilador (hasta 50 libras). No utilice cajas de salida de plástico.

Las figuras 1, 2 y 3 son ejemplos de diferentes formas de montar la caja de salida.

**NOTA:** Si está instalando el ventilador de techo en un techo inclinado (abovedado), es posible que necesite una varilla de extensión más larga para mantener el espacio adecuado entre la punta del asa y el techo. Se sugiere un espacio libre mínimo de 12" para un funcionamiento óptimo.

**NOTA:** Dependiendo de la ubicación que haya seleccionado para la instalación, es posible que deba comprar e instalar un "colgador de viguetas" para el soporte de la caja de salida. Asegúrese de que el colgador de viguetas que compre haya sido diseñado para usarse con ventiladores de techo. (Figura 4)

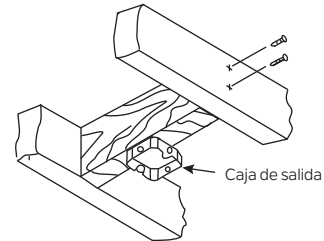


Figura 1

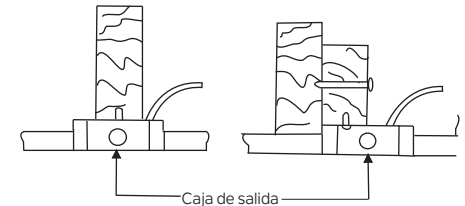


Figura 2

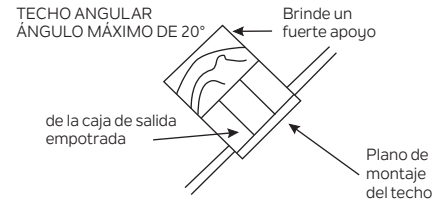


Figura 3

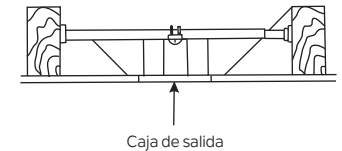


Figura 4

# COLGAR EL VENTILADOR

**RECUERDE** desconectar la alimentación antes de comenzar la instalación. Esto es necesario para su seguridad y también para la programación adecuada del sistema de control.

Para instalar correctamente su ventilador de techo, siga los pasos a continuación.

**Paso 1.** Antes de conectar el ventilador a la caja de salida (no incluida), asegúrese de que la caja de salida esté bien sujeta a al menos dos puntos de un miembro estructural del techo (una caja suelta hará que el ventilador oscile). Pase los cables de suministro de 120 voltios desde la caja de salida del techo a través del centro del soporte de montaje del techo. Instale el soporte de montaje en la caja de salida en el techo usando los tornillos y las arandelas incluidos con la caja de salida. (Figura 5)

**Paso 2.** Retire la horquilla y el pasador de horquilla del conjunto de la varilla de extensión, guárdelos para usarlos posteriormente. Retire la bola de suspensión del conjunto de la varilla de extensión aflojando el tornillo de fijación, quitando el pasador transversal y deslizando la bola fuera de la varilla. (Figura 6)

**NOTA: Asegúrese de mantener los accesorios sueltos separados para evitar confusiones durante la instalación.**

**Paso 3.** Afloje los dos tornillos de fijación en el acoplamiento del motor. (Figura 7)

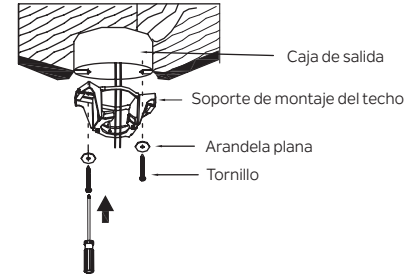


Figura 5

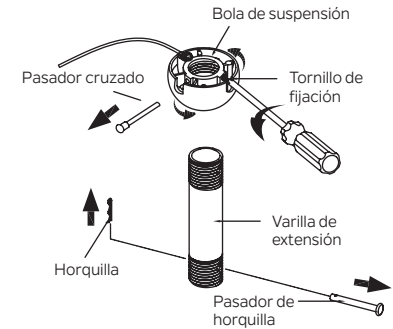


Figura 6

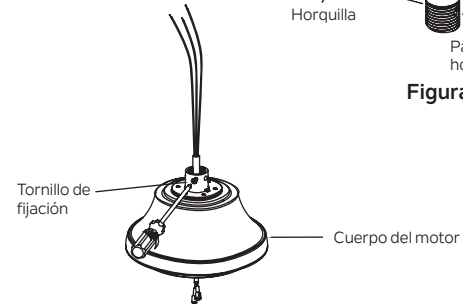


Figura 7

## COLGAR EL VENTILADOR (continuación)

**Paso 4.** Pase con cuidado los cables del ventilador y el cable de seguridad hacia arriba a través de la varilla de extensión. Enrosque la varilla de extensión en el acoplamiento del motor hasta que los orificios del pasador de horquilla estén alineados. A continuación, vuelva a colocar el pasador de horquilla y la horquilla, luego apriete ambos tornillos de fijación. (Figura 8)

**Paso 5.** Deslice la cubierta del acoplamiento, la cubierta del orificio del dosel y el dosel sobre la varilla de extensión. Vuelva a instalar con cuidado la bola de suspensión en la varilla. Asegúrese de que el pasador transversal esté en la posición correcta y que el tornillo de fijación esté apretado y que los cables no estén torcidos. (Figura 9)

**Paso 6.** Ahora levante el cuerpo del motor a su posición y coloque la bola de suspensión en el soporte de montaje. Gire hasta que la “lengüeta de retención” haya caído en la “ranura de registro” y se asiente firmemente. (Figura 10) Todo el cuerpo del motor no debe girar si se hace correctamente.

**ADVERTENCIA:** El no asentar correctamente la “lengüeta de retención” puede dañar el ventilador de techo durante el funcionamiento.

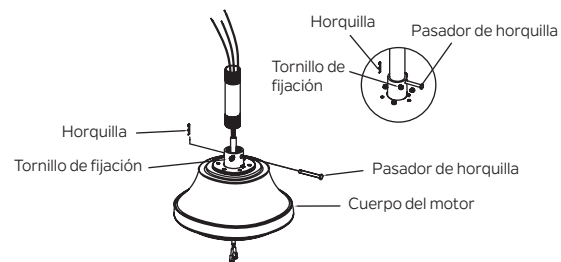


Figura 8

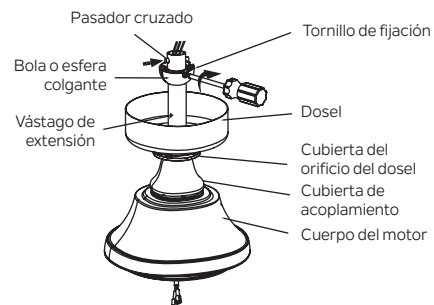


Figura 9

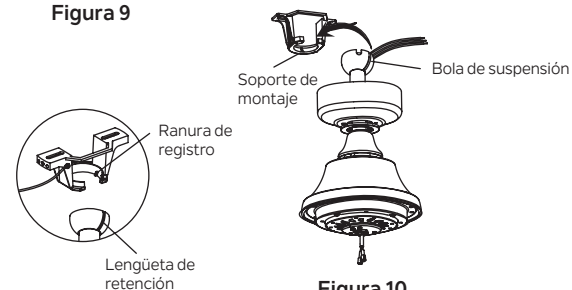


Figura 10

# INSTALACIÓN DEL SOPORTE DE SEGURIDAD (requerido para la instalación canadiense SOLAMENTE)

Se proporciona un cable de soporte de seguridad para ayudar a evitar que el ventilador de techo se caiga; instálole de la siguiente manera.

**Paso 1.** Inserte un tornillo para madera y arandelas en el costado de la abrazadera que sostiene la caja de salida. Deje 3 mm (1/8") de espacio entre el soporte de apoyo y la arandela. (Figura 11)

**Paso 2.** Inserte el cable de seguridad a través del soporte de montaje y uno de los orificios de la caja de salida en el techo. Ajuste la longitud del cable de seguridad para alcanzar el tornillo y las arandelas tirando del cable adicional a través de la abrazadera del cable hasta que la longitud total sea la correcta, vuelva a colocar el extremo del cable a través de la abrazadera del cable, formando un bucle en el extremo del cable. Apriete firmemente la abrazadera del cable. Ahora, coloque el lazo en el extremo del cable de seguridad sobre el tornillo para madera y debajo de la arandela. Apriete firmemente el tornillo para madera. (Figura 12)

**NOTA:** Aunque el cable de soporte de seguridad es necesario solo para instalaciones canadienses. Es una buena idea hacer el acoplamiento con cualquier instalación.

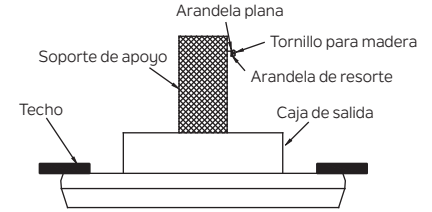


Figura 11

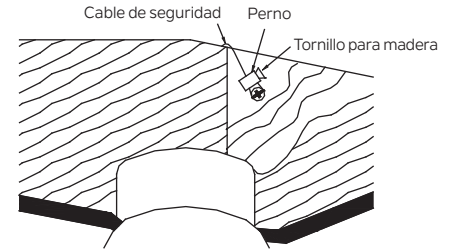


Figura 12

# REALIZAR LAS CONEXIONES ELÉCTRICAS

**ADVERTENCIA:** Para evitar posibles descargas eléctricas, asegúrese de haber desconectado la energía en el panel del circuito principal antes de realizar el cableado.

Siga los pasos a continuación para conectar el ventilador al cableado de su hogar. Utilice los conectores de cable suministrados con su ventilador. Sujete el conector con cinta aislante. Asegúrese de que no haya conexiones o filamentos de cables sueltos.

**ADVERTENCIA:** Si los cables de su casa son de colores diferentes a los que se mencionan en este manual, deténgase inmediatamente. Se recomienda un electricista profesional para determinar el cableado adecuado.

**Paso 1.** Inserte el receptor en el soporte de montaje y manténgalo plano en oposición al techo. (Figura 13)

**Paso 2.** Conexiones eléctricas del motor al receptor: Conecte el cable NEGRO del ventilador al cable NEGRO marcado "AL MOTOR L" del receptor. Conecte el cable BLANCO del ventilador al cable BLANCO marcado "AL MOTOR N" del receptor. Conecte el cable AZUL del ventilador al cable AZUL marcado "PARA LA LUZ" del receptor. Fije todas las conexiones de cables con los conectores de cable de plástico provistos. (Figura 14)

**Paso 3.** Conexiones eléctricas del receptor remoto a la caja de salida: Conecte el cable NEGRO (vivo) del techo al cable NEGRO marcado "CA DE ENTRADA L" del receptor. Conecte el cable BLANCO (neutro) del techo al cable BLANCO marcado "CA DE ENTRADA N" del receptor. Fije todas las conexiones de cables con los conectores de cable de plástico provistos. (Figura 14)

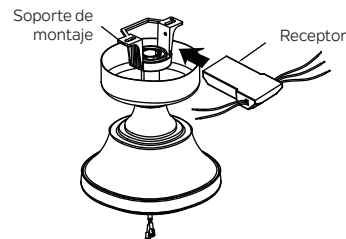


Figura 13

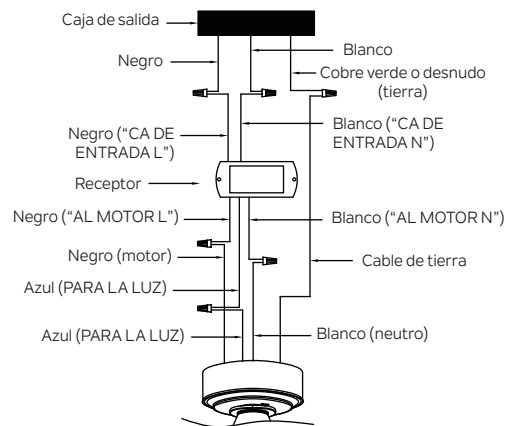


Figura 14

## REALIZAR LAS CONEXIONES ELÉCTRICAS

**Paso 4.** Si su caja de salida tiene un cable de tierra (de cobre verde o desnudo) conéctelo a los cables de tierra del ventilador; de lo contrario, conecte el cable de tierra del ventilador al soporte de montaje. Fije la conexión del cable con una tuerca de plástico proporcionada. Después de conectar los cables, sepárelos de modo que los cables verde y blanco estén en un lado de la caja de salida y los cables negro y azul en el otro lado. (Figura 14)

**NOTA:** Fije con cuidado las conexiones de cables en la caja de salida.

**NOTA:** El ventilador debe instalarse a una distancia máxima de 30 pies de la unidad de transmisión para una transmisión de señal adecuada entre la unidad de transmisión y la unidad de recepción del ventilador.

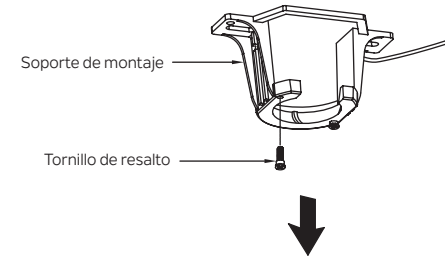


Figura 15

## FINALIZACIÓN DE LA INSTALACIÓN DEL MOTOR

**Paso 1.** Quite uno de los dos tornillos de resalto en el soporte de montaje. Afloje el segundo tornillo de resalto sin quitarlo por completo. (Figura 15)

**Paso 2.** Ensamble el dosel girando la ranura de llave en el dosel sobre el tornillo de resalto en el soporte de montaje. Vuelva a instalar el tornillo de resalto que se quitó anteriormente, luego vuelva a apretar dos tornillos de resalto firmemente. (Figura 16)

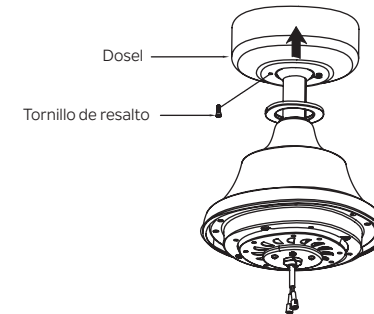
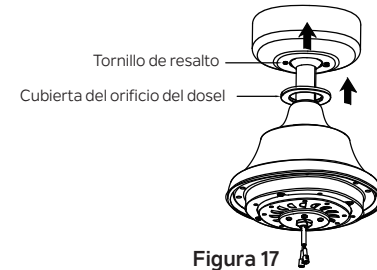


Figura 16

## FINALIZACIÓN DE LA INSTALACIÓN DEL MOTOR

**Paso 3.** Fije y apriete firmemente la cubierta del orificio del dosel sobre los tornillos de resalto en el soporte de montaje utilizando la función de bloqueo por giro de la ranura de llave. (Figura 17)

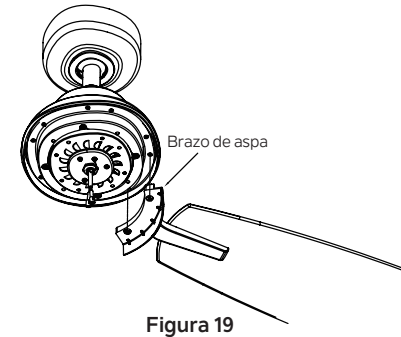
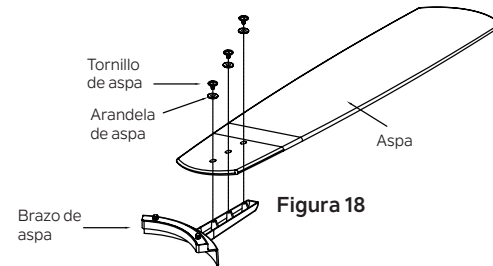


## COLOCACIÓN DE LAS ASPAS DEL VENTILADOR

**NOTA:** Antes de continuar, asegúrese de que la energía esté desconectada apagando el disyuntor o retirando el fusible en la caja del circuito.

**Paso 1.** Coloque el aspa sobre el brazo de aspa, asegúrese de que el borde inferior del aspa esté completamente asentado contra el brazo de aspa, apriete firmemente el aspa al brazo de aspa con tres (3) tornillos de aspa y arandelas. Repita para las aspas restantes. (Figura 18)

**Paso 2.** Fije los brazos de aspa al conjunto del motor con tornillos para los brazos de aspa. (Figura 19)



## INSTALACIÓN DE LA CARCASA DEL INTERRUPTOR

**Paso 1.** Retire el tornillo marcado con una etiqueta de punto que está preinstalado en la placa de montaje y guárdelo para su uso posterior. Afloje los otros dos (no los quite). Coloque los dos orificios de la ranura en la carcasa del interruptor sobre los 2 tornillos que aflojó previamente de la placa de montaje. Gire la carcasa del interruptor hasta que encaje en su lugar en el extremo estrecho de los orificios de llave. Fije apretando los 2 tornillos previamente aflojados y el que quitó previamente. (Figura 20)

## INSTALACIÓN DEL KIT DE LUZ Y VIDRIO

**NOTA:** Antes de continuar con la instalación, confirme que la energía aún está apagada en el disyuntor principal o retirando el fusible del circuito. Apagar la alimentación con un interruptor de pared no es suficiente para evitar descargas eléctricas.

**Paso 1.** Sostenga el kit de luz cerca de la carcasa del interruptor y conecte los cables BLANCOS del kit de luz y el ventilador juntando los conectores. Siga el mismo procedimiento con los cables NEGROS. (Figura 21)

**Paso 2.** Introduzca las conexiones cuidadosamente en el kit de luz. Quite uno de los tres tornillos preinstalados en la carcasa del interruptor y guárdelo para usarlo más adelante. Afloje los otros 2 tornillos (no los quite). Coloque los dos orificios de la ranura del kit de luz sobre los 2 tornillos que se aflojaron previamente de la carcasa del interruptor. Gire el kit de luz hasta que encaje en su lugar en el extremo estrecho de los orificios de llave. Fije apretando los 2 tornillos previamente aflojados y el que quitó previamente. (Figura 21)

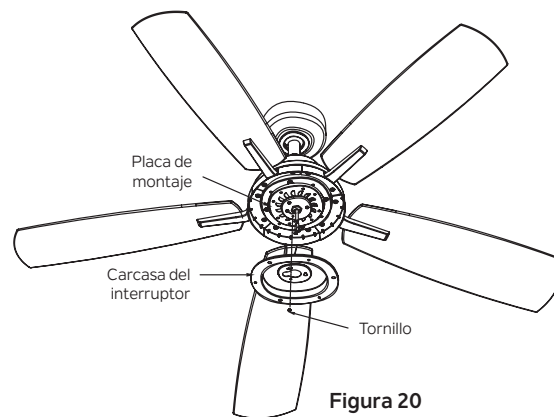


Figura 20

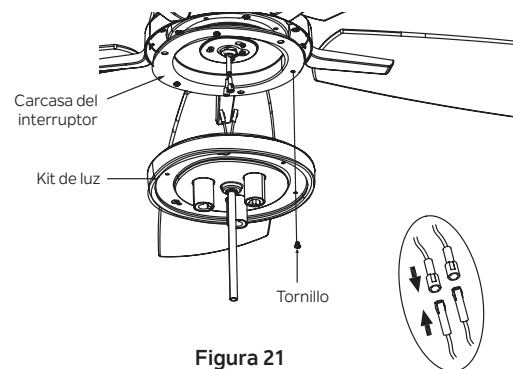


Figura 21

## INSTALACIÓN DEL KIT DE LUZ Y VIDRIO

**Paso 3.** Inserte bombillas LED de 4 vatios como máximo (incluidas) en cada toma. Cuando sea necesario, reemplácelas con bombillas del mismo vataje. (Figura 22)

**PRECAUCIÓN:** Se incluye un limitador de vataje ahorrador de energía en el receptor del ventilador. Cuando reemplace las bombillas, asegúrese de que el vataje de la bombilla sea inferior a 190 vatios; de lo contrario, el elemento no funcionará.

**Paso 4.** Sostenga el vidrio a través de la varilla, fíjelo con una arandela de silicona, una arandela de metal y una tuerca manual. (Figura 23)

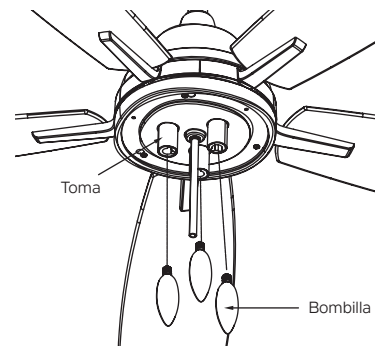


Figura 22

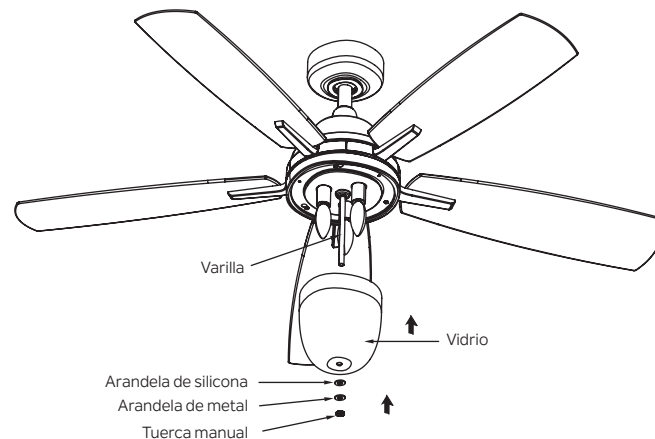


Figura 23

## INSTALACIÓN DEL KIT DE LUZ Y VIDRIO

**Paso 5.** Coloque la carcasa de luz en el kit de luz, alinee con los tres (3) orificios redondos, apriete con los tres (3) tornillos utilizando el destornillador en forma de L incluido. (Figura 24)

**Paso 6.** Atornille el remate en la varilla roscada del kit de luz. (Figura 25)

**PRECAUCIÓN:** No apriete demasiado el remate ya que esto podría agrietar o romper el vidrio.

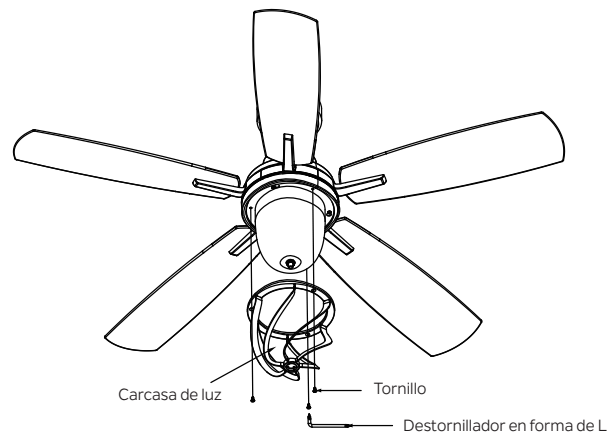


Figura 24

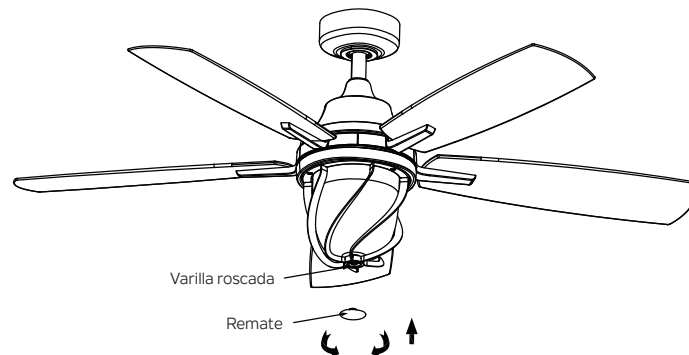


Figura 25

# INSTRUCCIONES DE FUNCIONAMIENTO

**Paso 1.** Seleccione una ubicación para instalar el soporte del control remoto, instale el soporte como se muestra. (Figura 26)

**Paso 2.** Con un destornillador, quite la tapa de las pilas del dispositivo y guarde el tornillo para usarlo más tarde. (Figura 27)

**Paso 3.** Para que el ventilador funcione, instale dos baterías CR2032 de 3 V (incluidas). (Figura 28)

**ADVERTENCIA:** Peligro de quemaduras químicas. Mantenga las baterías fuera del alcance de los niños.

**NOTA:** Si no se usa durante períodos prolongados, retire las baterías para evitar daños en el control remoto. Guarde el control lejos del calor o la humedad excesivos.

Para operar la función de retroceso en este ventilador, presione el botón "Retroceso" mientras el ventilador está funcionando.

El ajuste de velocidad para climas cálidos o fríos depende de factores como el tamaño de la habitación, la altura del techo, la cantidad de ventiladores, etc.

**Operación en clima cálido:** Avance (en sentido contrario a las agujas del reloj). Un flujo de aire descendente crea un efecto de enfriamiento (Figura 29). Esto le permite configurar su aire acondicionado en una configuración más cálida sin afectar su comodidad general.

**Operación en clima frío:** Retroceso (en sentido de las agujas del reloj). Un flujo de aire ascendente mueve el aire caliente de las áreas del techo (Figura 30). Esto le permite configurar su unidad de calefacción en una configuración más fría sin afectar su comodidad general.

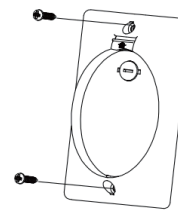


Figura 26

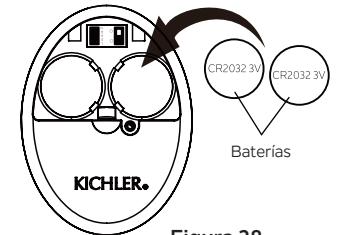


Figura 28

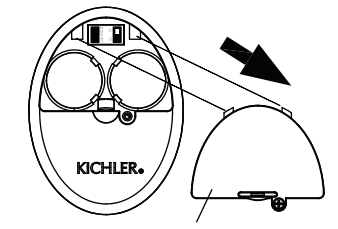
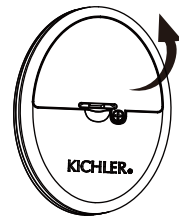


Figura 27

Cubierta de la batería

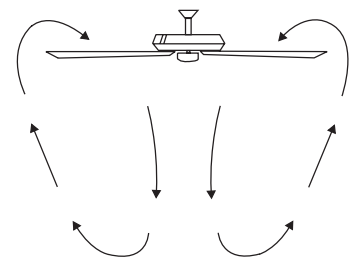


Figura 29

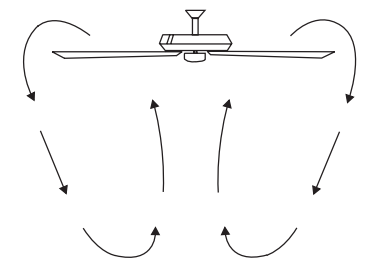


Figura 30

## INSTRUCCIONES DE FUNCIONAMIENTO

**NOTA:** Cada control remoto lleva un código de identificación único para facilitar la comunicación entre dispositivos emparejados. El código de identificación viene configurado de fábrica y el usuario no puede cambiarlo. Sin embargo, se le pedirá que realice un proceso de “aprendizaje del código de identificación” manualmente en estas circunstancias:

- Si tiene varios ventiladores instalados cerca y desea controlar todos los ventiladores con el mismo control remoto.

**NOTA:** Cada ventilador requiere su propio receptor.

- Cuando su control remoto no responde (asegúrese de que la batería no esté descargada).
- Después de haber reemplazado un transmisor o receptor defectuoso con uno nuevo.

De lo contrario, el control remoto no funcionará. Para realizar este proceso manualmente, siga los pasos a continuación: Después de instalar y cablear la unidad, restaure la energía a su ventilador, presione y mantenga presionada la tecla LEARN (Aprender) durante 1-3 segundos, el ventilador se encenderá a velocidad media y la luz (si está instalada) se encenderá. Esto confirma que se ha completado el proceso de aprendizaje. Esta operación debe completarse dentro de los 30 segundos después de restaurar la energía al ventilador. (Figura 31)

**NOTA:** Asegúrese de que el interruptor deslizante en el compartimiento de la batería marcado “D O” esté en la posición “D”. (Figura 31)

**Paso 4.** Vuelva a colocar la cubierta de la batería y apriete con un destornillador. (Figura 31)

Paso 5. Los botones controlan la velocidad y la luz del ventilador de la siguiente manera: (Figura 32)

•	Baja velocidad
••	Velocidad media
•••	Alta velocidad
⏻	Ventilador apagado
↻	Flujo de aire (hacia adelante o hacia atrás)
💡	Sin función (no utilice este botón)
💡	a.) Luz ENCENDIDA/APAGADA. b.) Mantenga presionado para atenuar o intensificar la luz al nivel deseado.

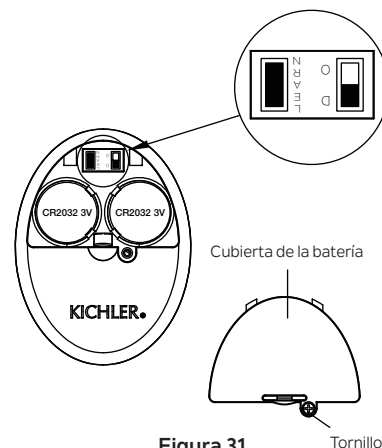


Figura 31 Tornillo

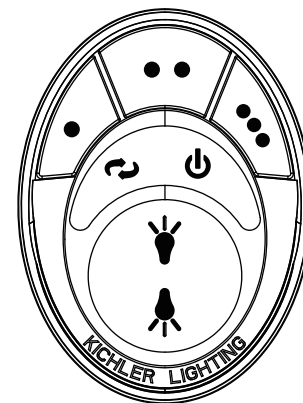


Figura 32

# RESOLUCIÓN DE PROBLEMAS

## Problema

## Solución

**El ventilador no arranca.**

1. Verifique los fusibles o disyuntores del circuito.
2. Verifique todas las conexiones eléctricas para asegurar un contacto adecuado.  
**PRECAUCIÓN:** Asegúrese de que la alimentación principal esté **APAGADA** cuando verifique cualquier conexión eléctrica.
3. Asegúrese de que las baterías del transmisor estén instaladas correctamente.
4. Asegúrese de que las baterías tengan una buena carga.

**El ventilador suena ruidoso.**

1. Asegúrese de que todos los tornillos de la carcasa del motor estén ajustados.
2. Asegúrese de que los tornillos que sujetan los soportes de las aspas del ventilador al motor estén apretados.
3. Asegúrese de que las conexiones de tuercas para cables no se froten entre sí o con la pared interior de la caja del interruptor. **PRECAUCIÓN:** Asegúrese de que la energía principal esté apagada.
4. Permita un período de “rodaje” de 24 horas. La mayor parte del ruido asociado con un ventilador nuevo desaparece durante este tiempo.
5. Si usa un kit de luz opcional, asegúrese de que los tornillos que sujetan la cristalería estén bien apretados. Asegúrese de que las bombillas no toquen ningún otro componente.
6. No conecte este ventilador a controles de velocidad variable montados en la pared. No son compatibles con motores de ventiladores de techo o controles remotos.
7. Asegúrese de que el dosel superior esté a poca distancia del techo. No debe tocar el techo.

# RESOLUCIÓN DE PROBLEMAS

## Problema

## Solución

### Oscilación del ventilador.

1. Verifique que todos los tornillos de aspa y del brazo de aspa estén firmes.
2. La mayoría de los problemas de oscilación del ventilador se deben a que los niveles de las aspas no son iguales. Compruebe este nivel seleccionando un punto en el techo por encima de la punta de una de las aspas. Mida esta distancia. Gire el ventilador hasta que se coloque la siguiente aspa para medir. Repita para cada aspa. La desviación de la distancia debe ser igual dentro de 1/8".
3. Si aún se nota la oscilación del aspa, intercambiar dos aspas adyacentes (una al lado de la otra) puede redistribuir el peso y posiblemente dar como resultado un funcionamiento más fluido.

### Mal funcionamiento del control remoto.

1. Los ventiladores de techo con sistemas de control remoto NO PUEDEN funcionar junto con ningún otro sistema de control, EXCEPTO un interruptor de pared de encendido/apagado básico si se desea.

**ADVERTENCIA: PARA REDUCIR EL RIESGO DE LESIONES PERSONALES Y PARA MEJORAR EL CORRECTO FUNCIONAMIENTO DE SU VENTILADOR DE TECHO. NUNCA COLOQUE LOS CONJUNTOS DE ASPAS HASTA QUE EL VENTILADOR DE TECHO SE HAYA MONTADO EN EL TECHO. NO DOBLE LOS BRAZOS DE ASPA MIENTRAS INSTALA, EQUILIBRA O LIMPIA EL VENTILADOR. NO INTRODUZCA OBJETOS EXTRAÑOS ENTRE LAS ASPAS DEL VENTILADOR GIRATORIO.**

## INFORMACIÓN DE LA FCC

Este dispositivo cumple con la parte 15 de las normas de la Comisión Federal de Comunicaciones (Federal Communications Commission, FCC). El funcionamiento está sujeto a las siguientes dos condiciones:

- 1) Este dispositivo no puede causar interferencias perjudiciales, y
- 2) Este dispositivo debe aceptar cualquier interferencia recibida, incluidas interferencias que puedan causar un funcionamiento no deseado.

Nota: Este equipo ha sido probado y cumple con los límites para un dispositivo digital de Clase B, de acuerdo con la parte 15 de las normas de la FCC. Estos límites están diseñados para proporcionar una protección razonable contra interferencias perjudiciales en una instalación residencial. Este equipo genera, usa y puede irradiar energía de radiofrecuencia y, si no se instala y usa de acuerdo con las instrucciones, puede causar interferencia dañina a las comunicaciones por radio. Sin embargo, no hay garantía de que no se produzcan interferencias en una instalación en particular. Si este equipo causa interferencia dañina en la recepción de radio o televisión, lo cual se puede determinar encendiendo y apagando el equipo, se recomienda al usuario que intente corregir la interferencia mediante una o más de las siguientes medidas:

- Reorientar o reubicar la antena receptora.
- Aumentar la separación entre el equipo y el receptor.
- Conectar el equipo a una toma de corriente en un circuito diferente al que está conectado el receptor.
- Consulte con el distribuidor o con un técnico de radio/TV experimentado para obtener ayuda.

# KICHLER®

**KICHLER LIGHTING**

**7711 EAST PLEASANT VALLEY ROAD**

**CLEVELAND, OHIO 44131**

**SERVICIO AL CLIENTE 866.558.5706**

**8:00 AM A 5:00 PM EST, DE LUNES A VIERNES**