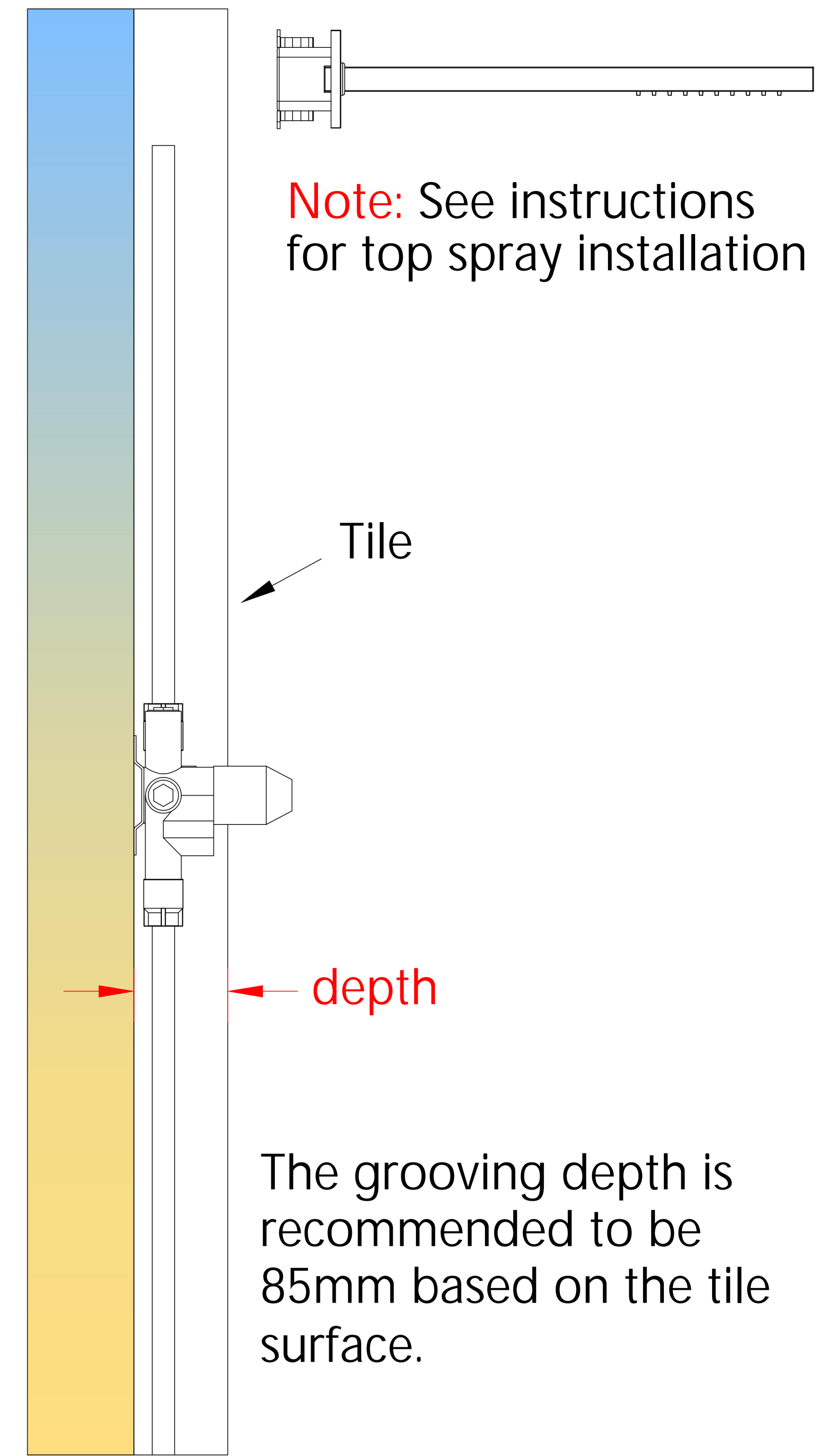
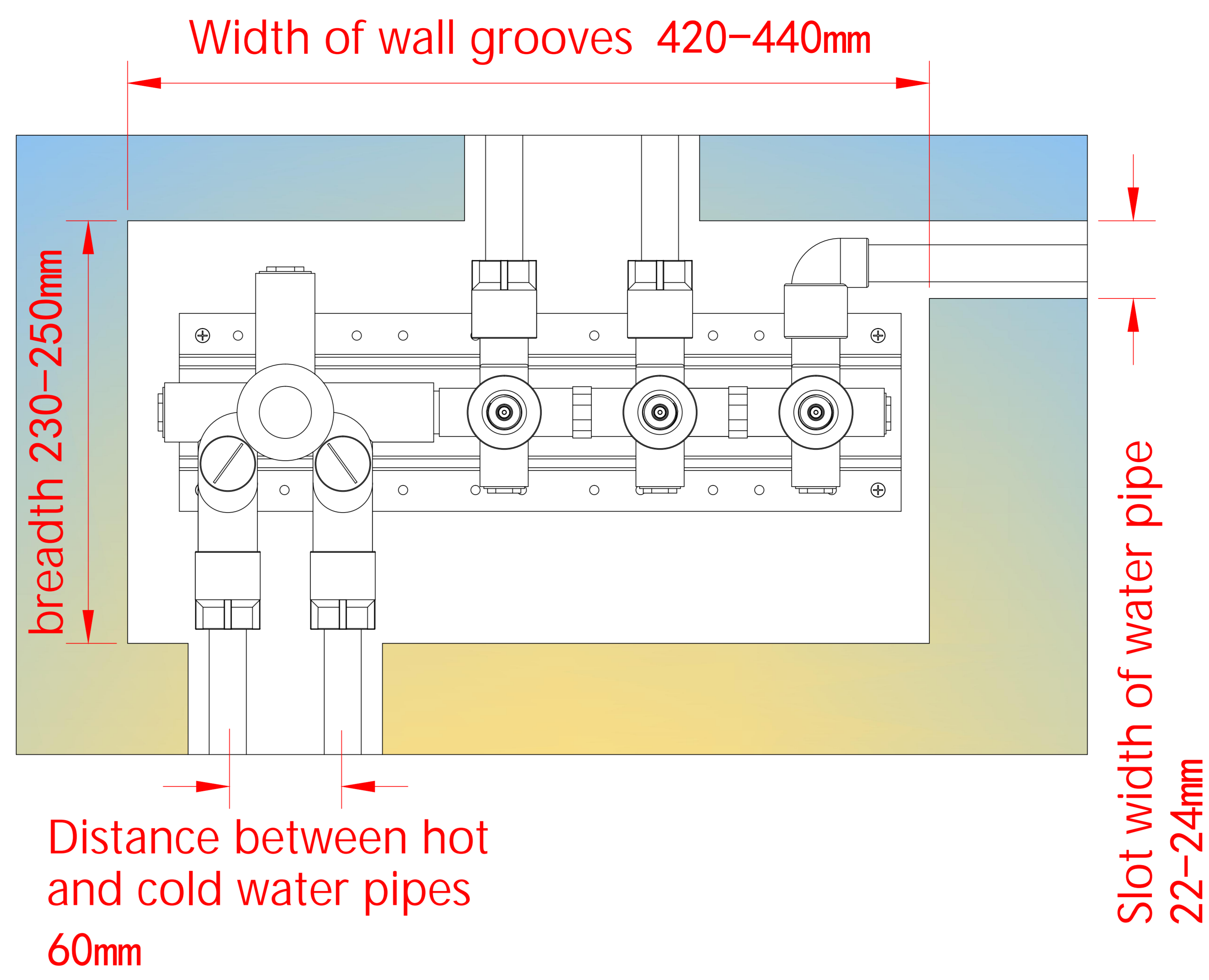
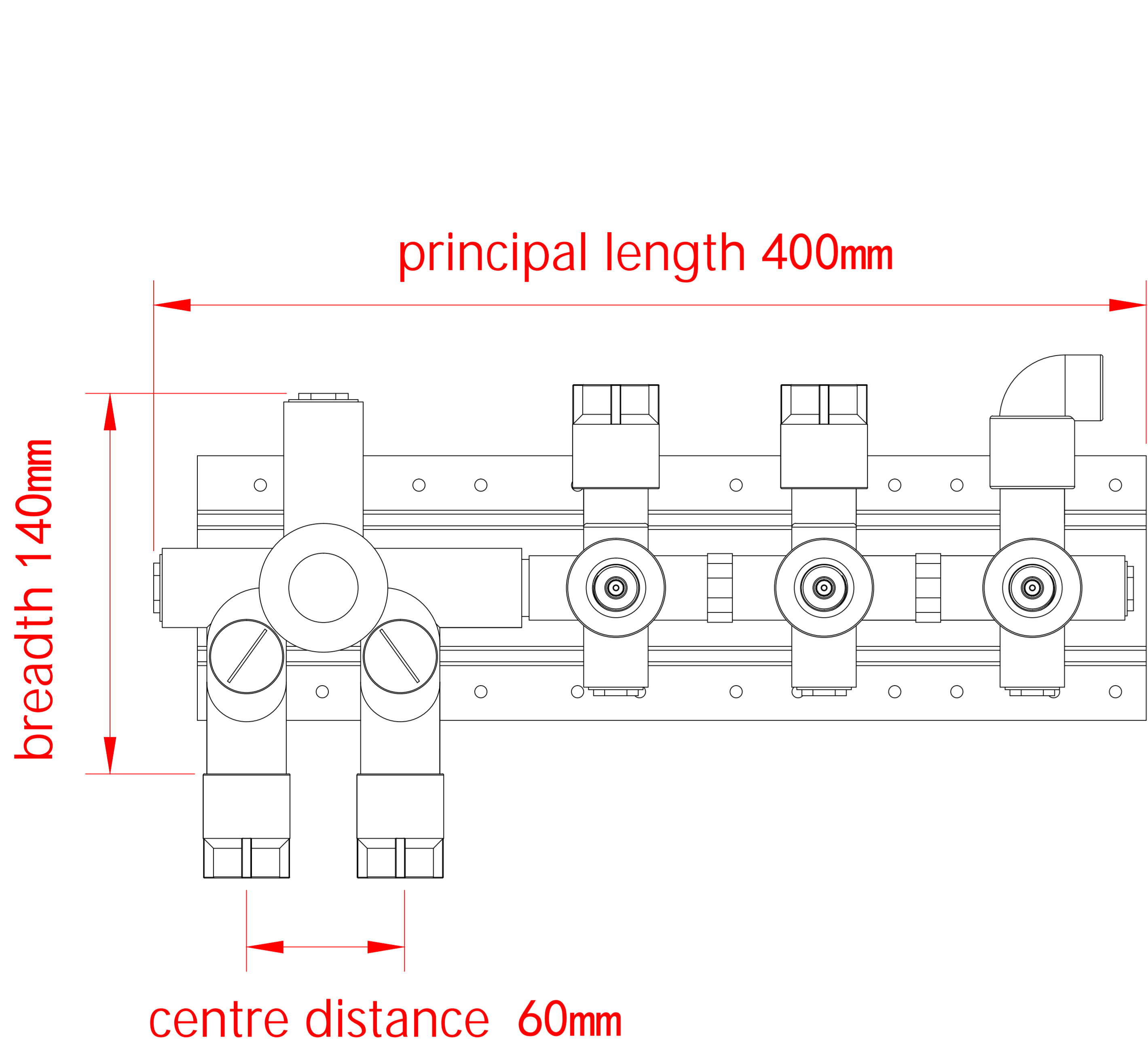


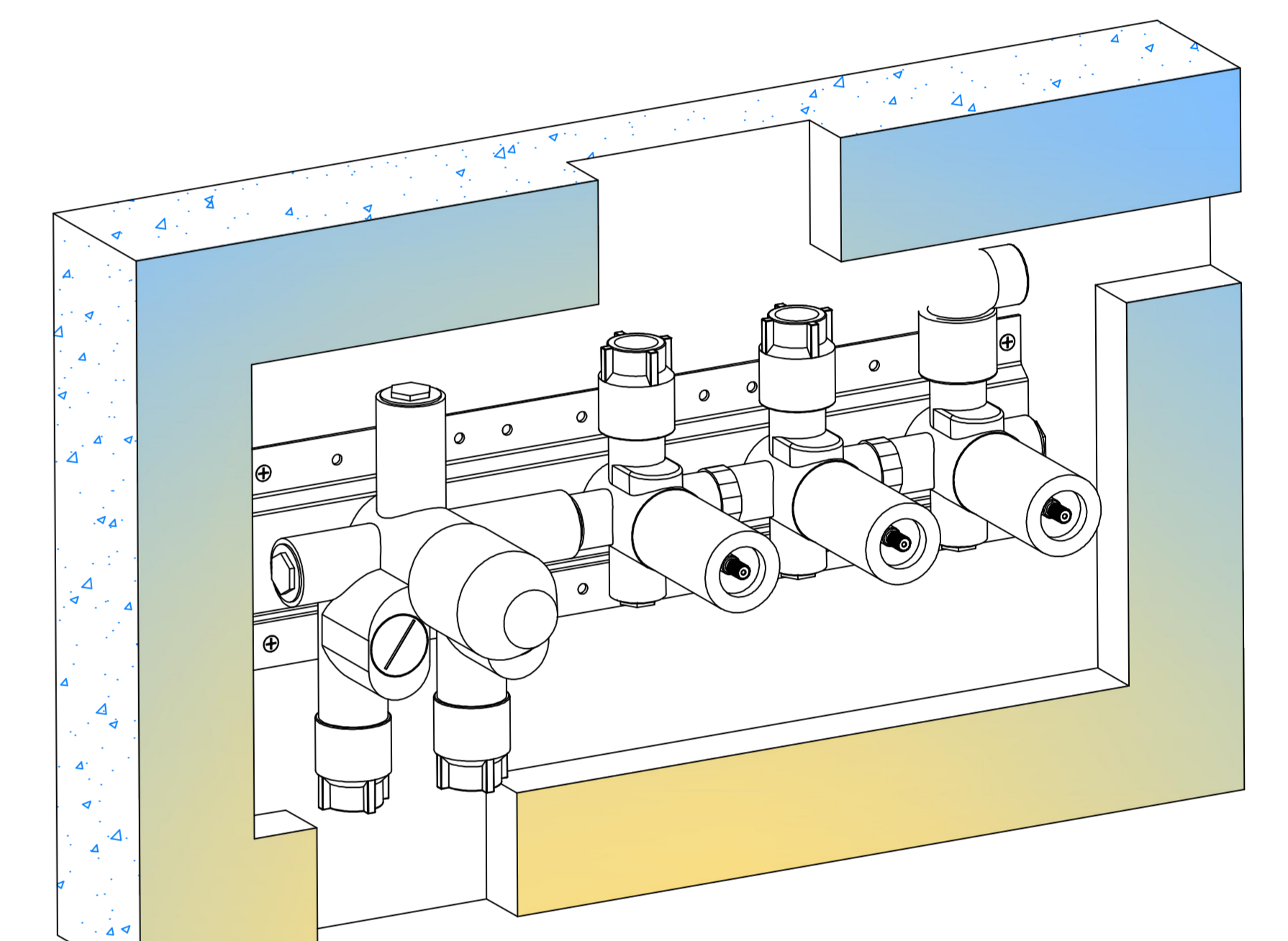
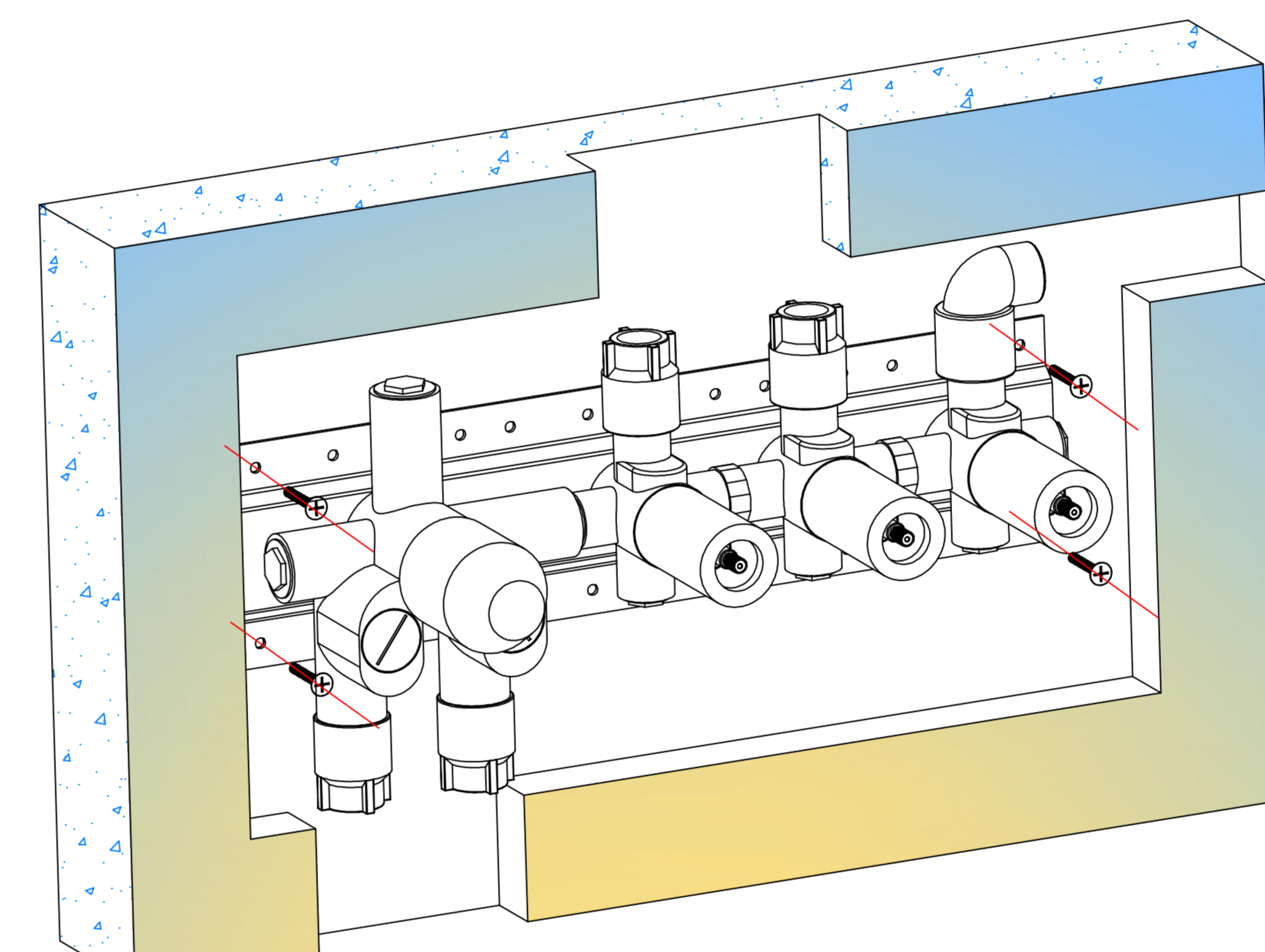
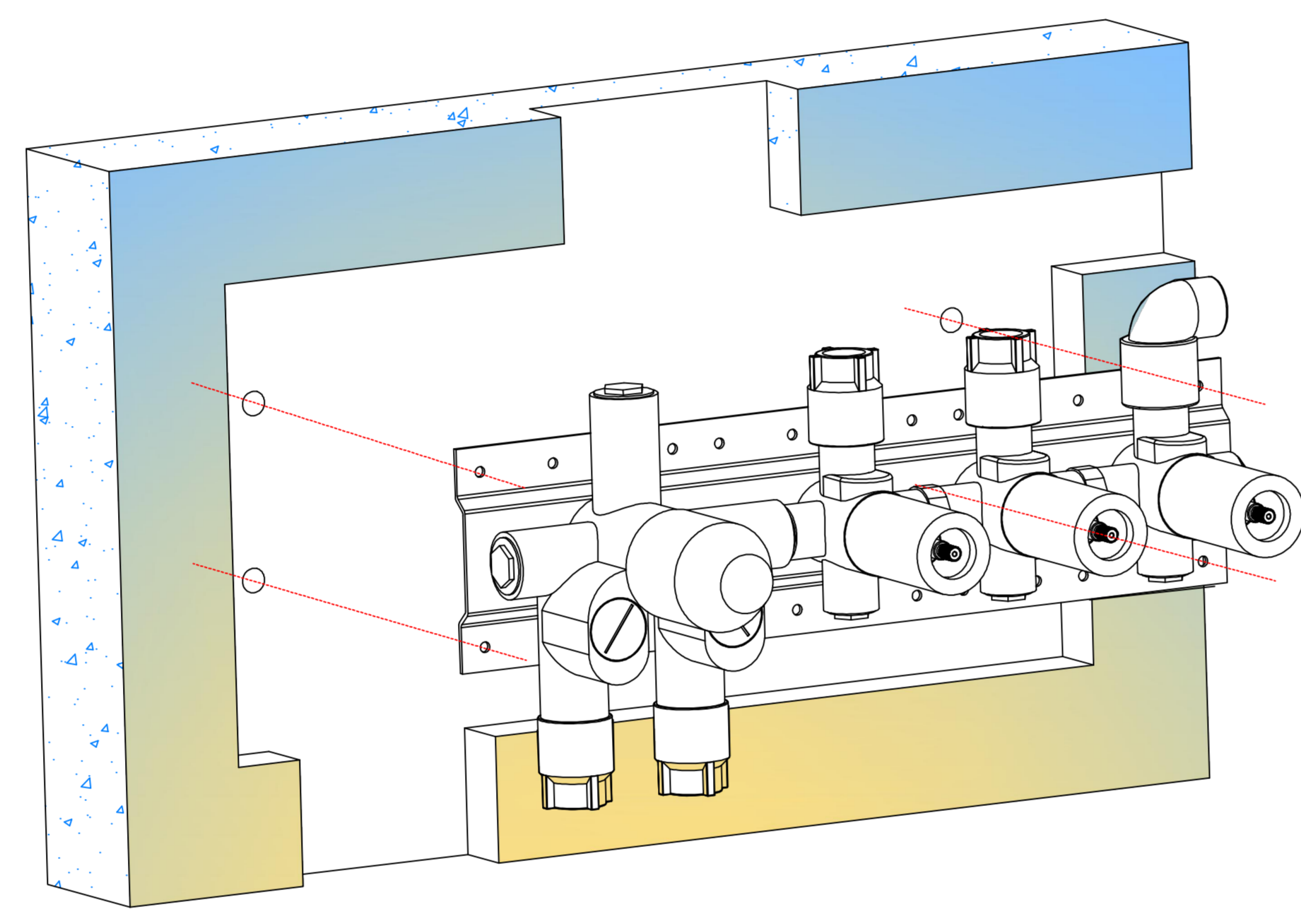
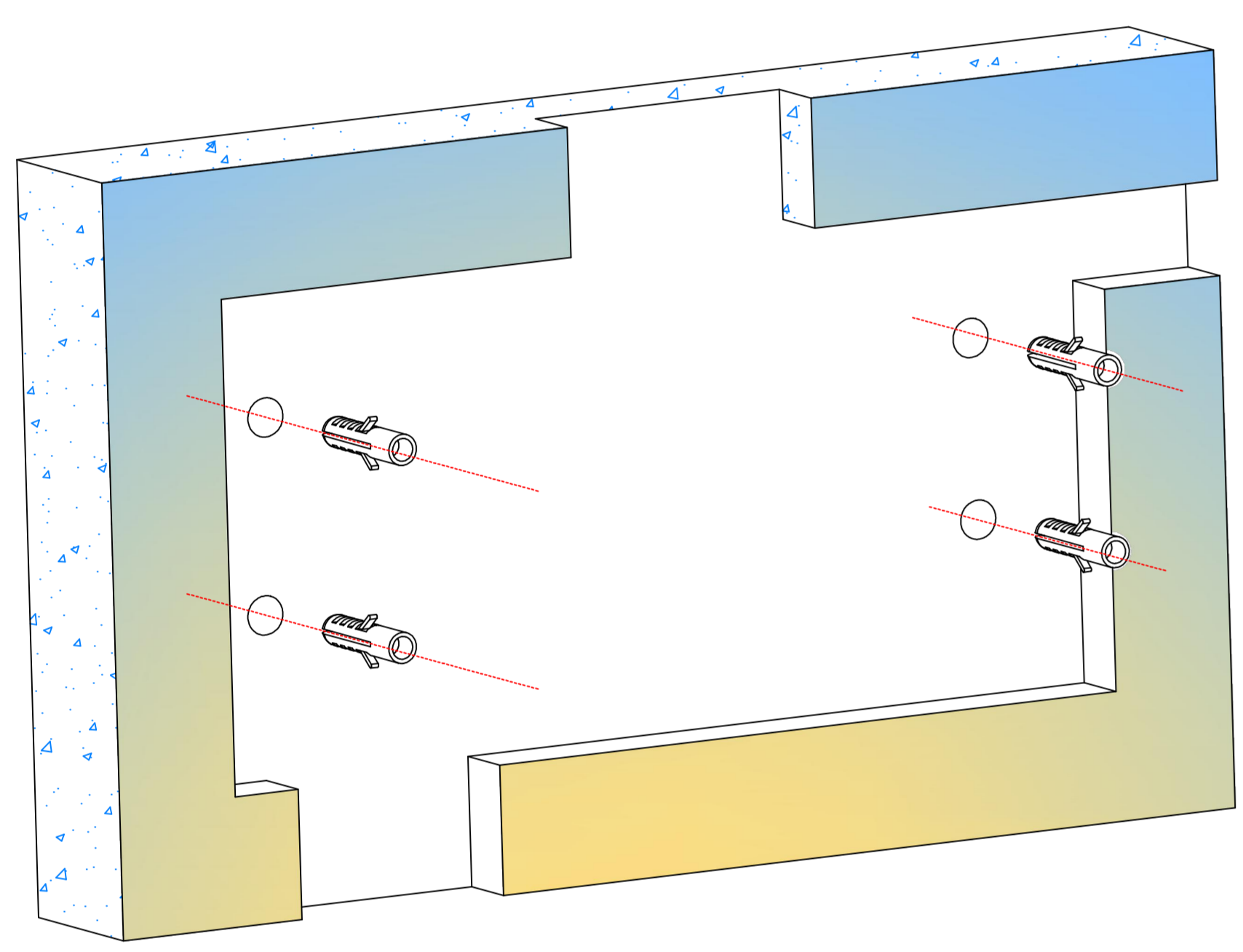
# Installation Instructions

Wall slot size and design for reference only, the entity shall prevail.

There is no unified standard for the main installation height, but it can be used according to the family's high degree of convenience.



## Main body buried wall

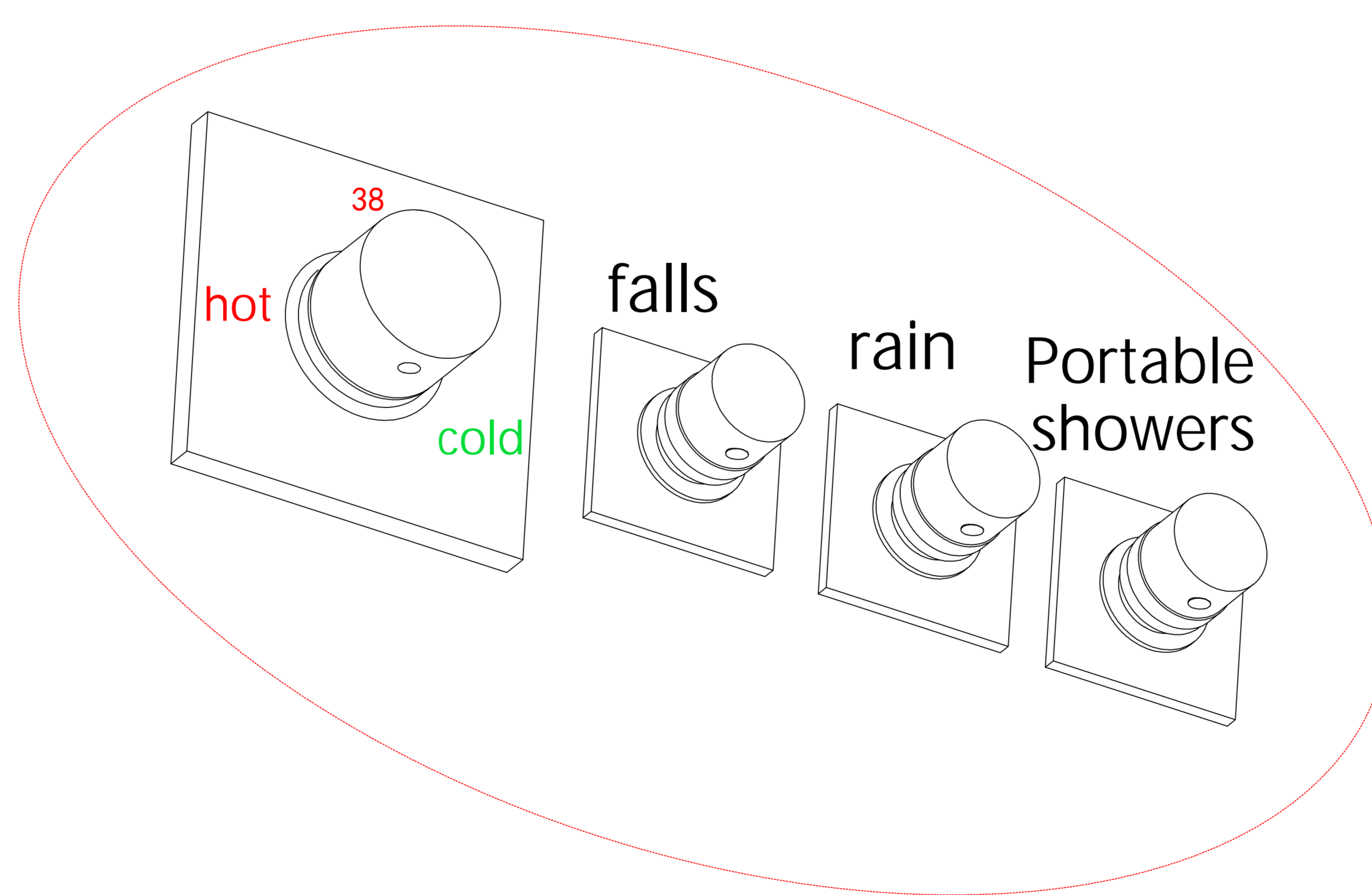
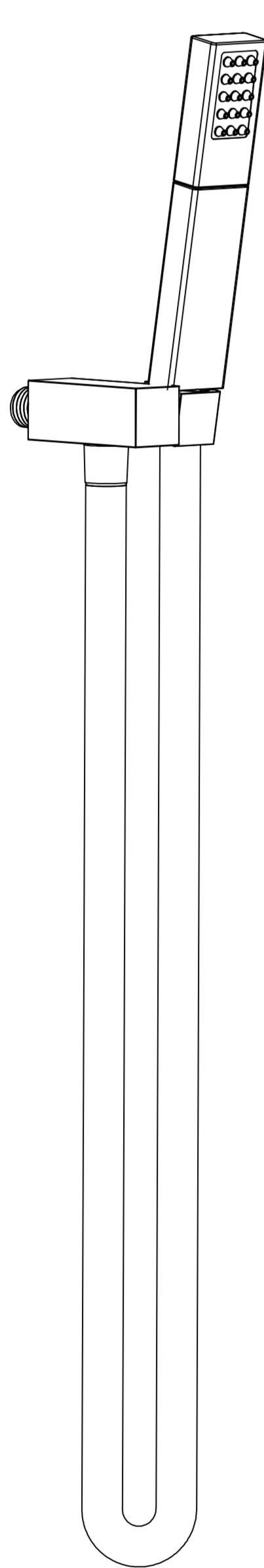


First, drill holes in the wall, and put the expansion strip into the hole.

Second, put the main body into the groove.

Thirdly, Fix the main body in the groove with fixing screws and tighten the fixing screws.

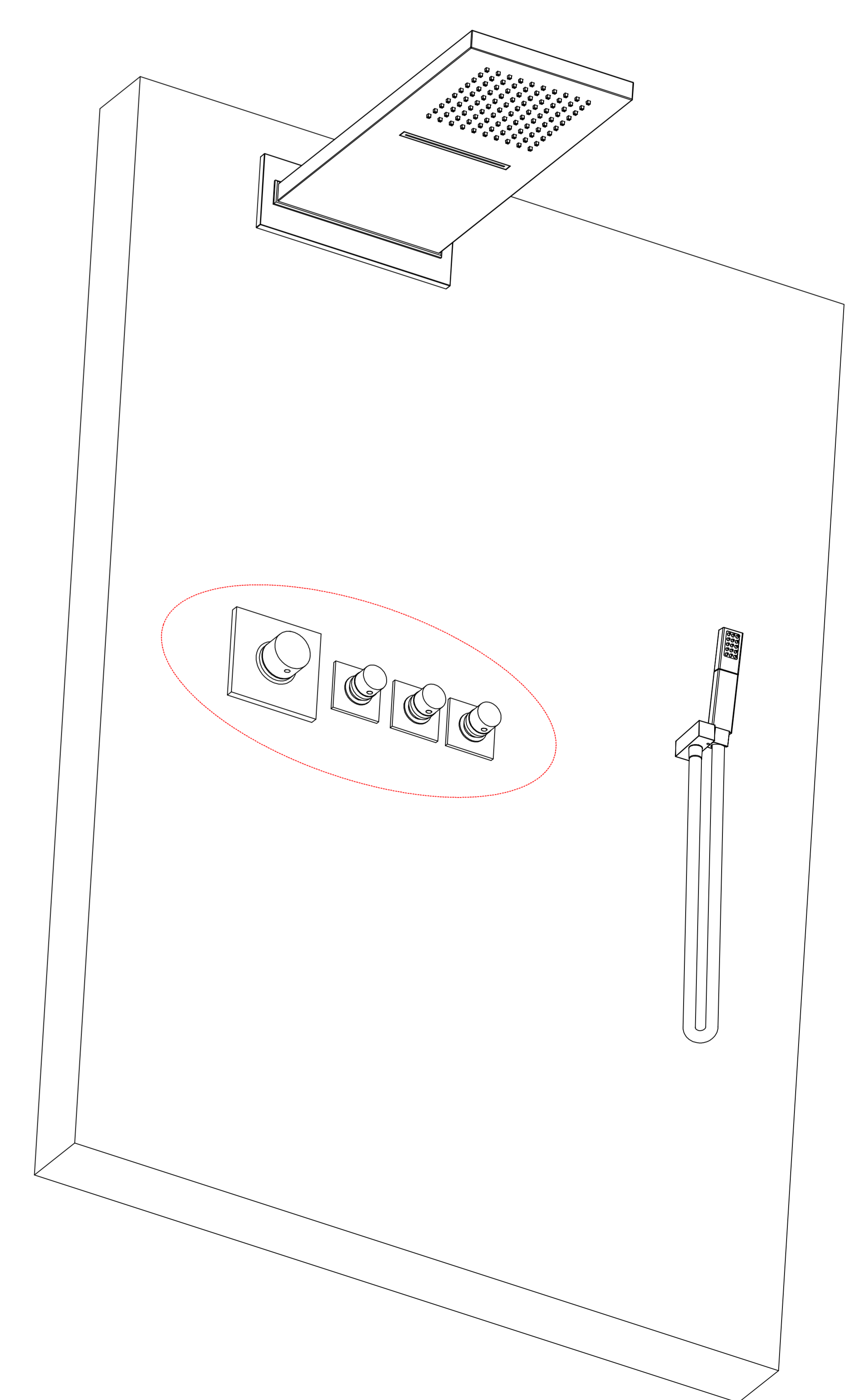
Note: 1. The main body in the process of burying the wall do not remove the protective sleeve to avoid bruise.  
2. The copper parts of the mixing valve should not be sealed with water mud to facilitate later maintenance.



## function

Note:

1. Water distribution handwheel or due to individual pipeline design, the outlet function will be different.
2. Normally, the small handle of the temperature regulating handwheel is raised and aligned with the direction of 38 degrees upwards. If the temperature needs to be increased, press the small handle and rotate to the left; rotate to the right will be cold water.



Portable showers module

1. Match and tighten the shower seat and shower interface.
2. Connect the shower holder to the portable shower and tighten it with the shower software tube.

Warmth Hint:

Before the tile is affixed, the water outlet and joint position must be tested to see whether the water outlet and joint position is leaking or not. Each function is normal (very important).