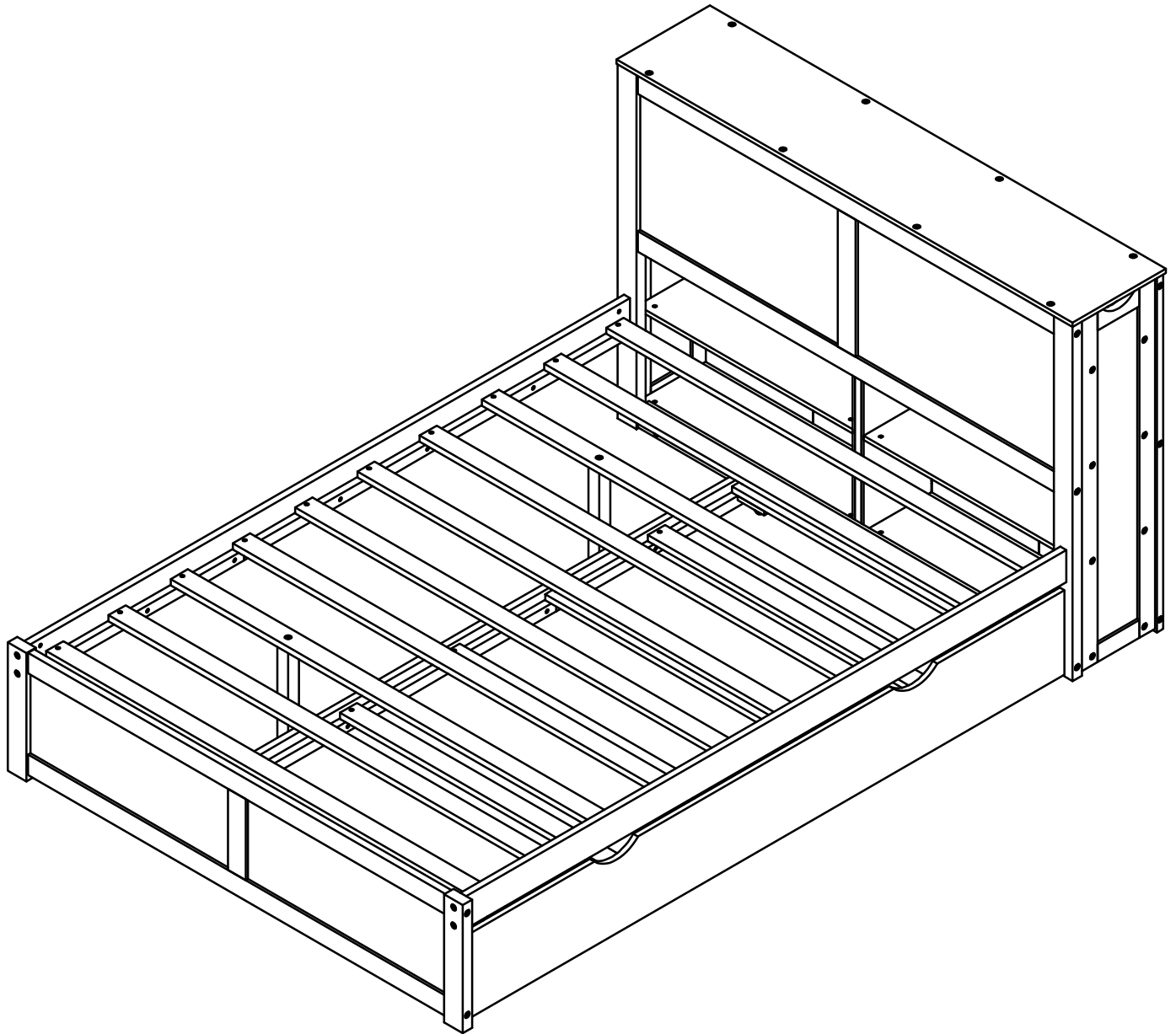
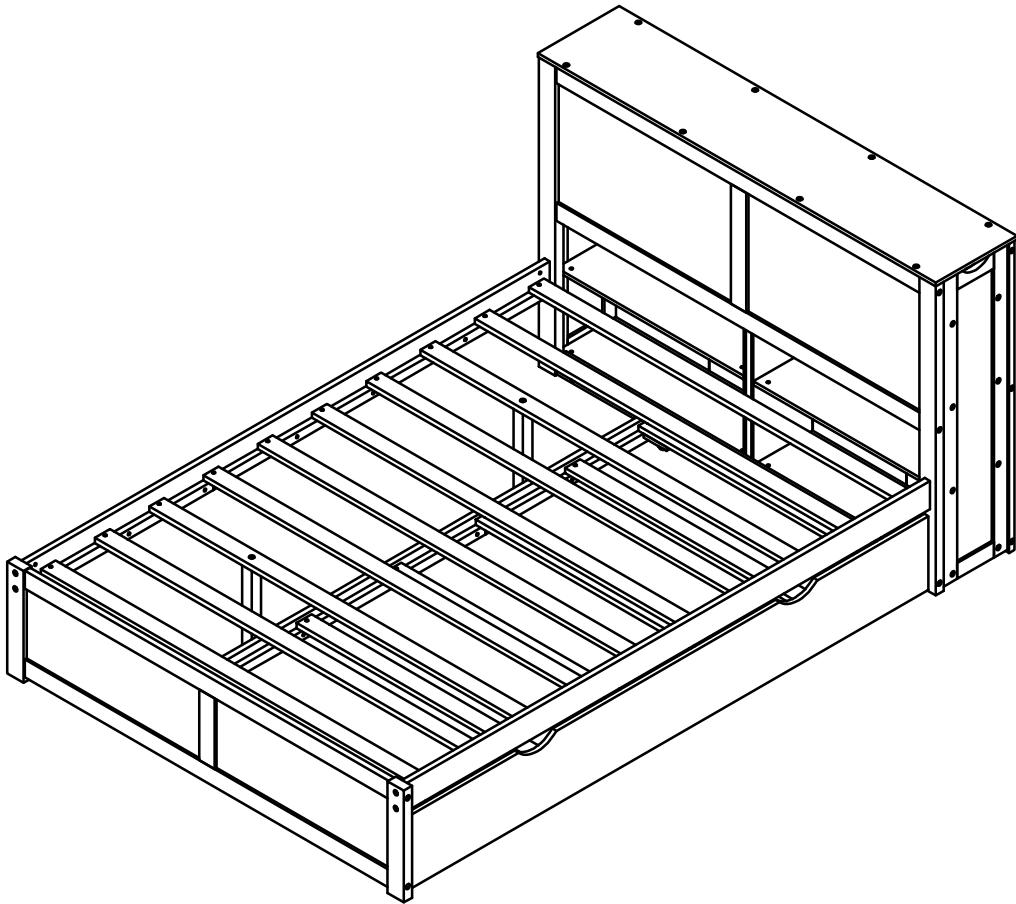


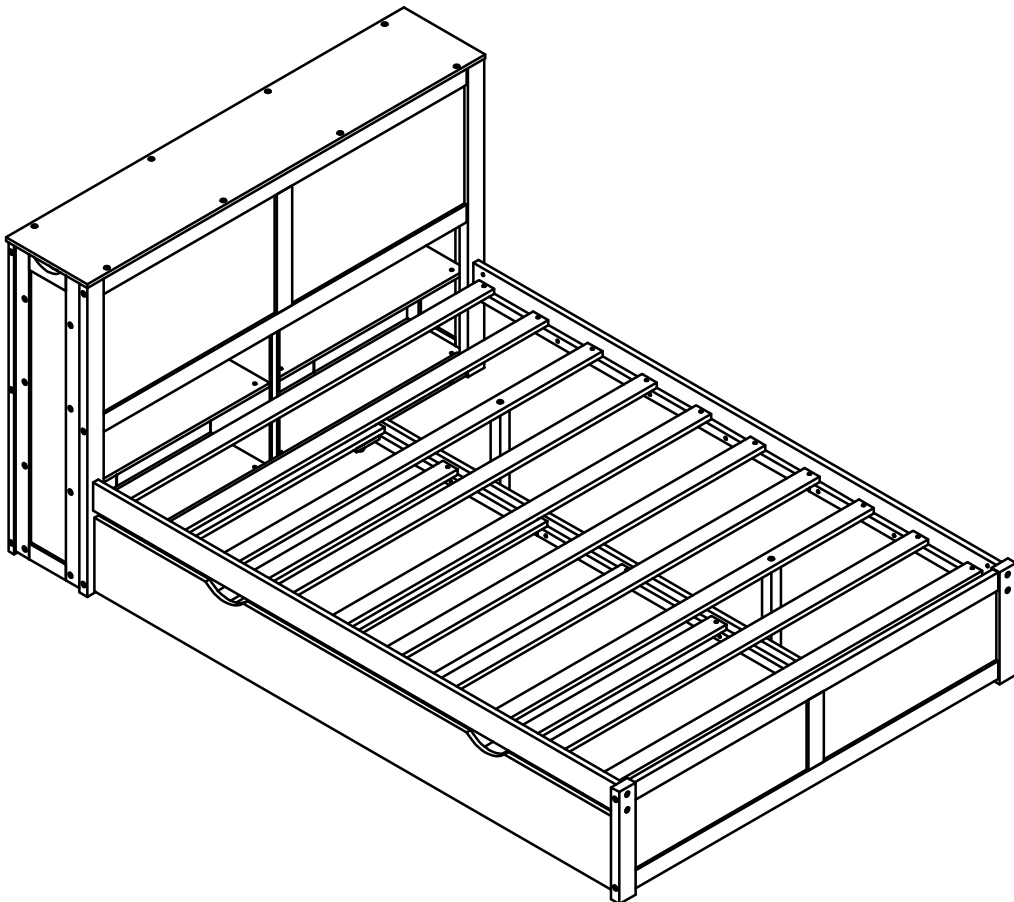
ASSEMBLY INSTRUCTION



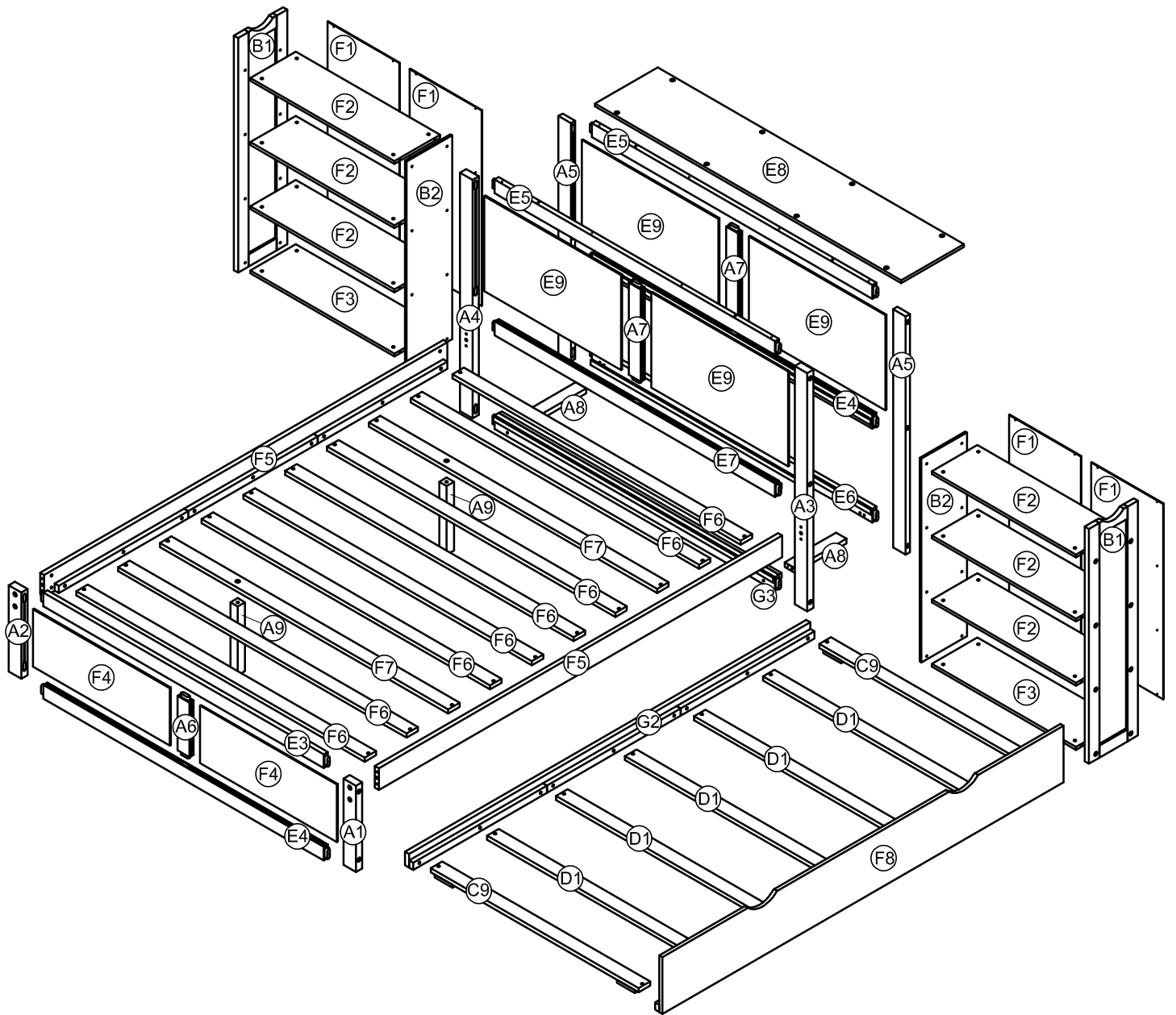
OPTION 1



OPTION 2

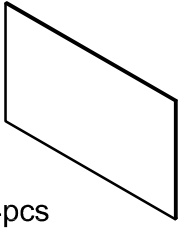


ASSEMBLY INSTRUCTION



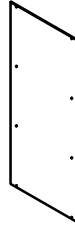
Part List

E9



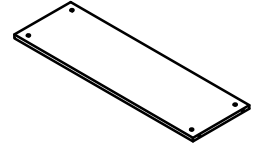
Panel-4pcs

F1



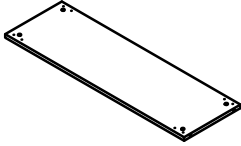
Panel-4pcs

F2



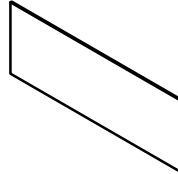
Panel-6pcs

F3



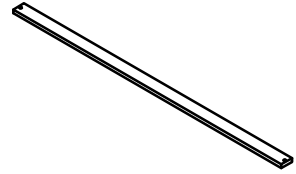
Panel-2pcs

F4



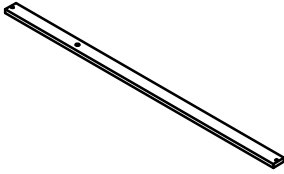
Panel-2pcs

F6



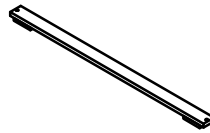
Slats-8pcs

F7



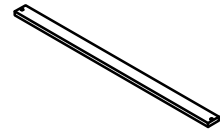
Slats-2pcs

C9










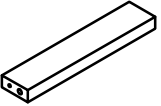

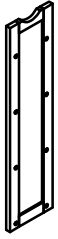

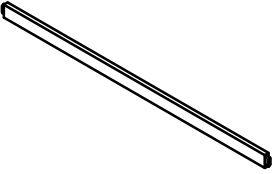
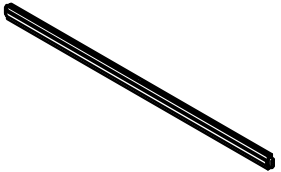
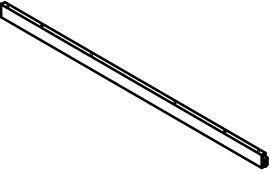
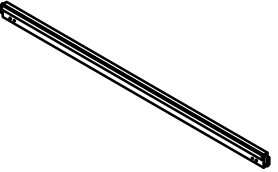
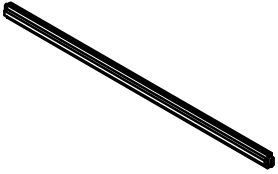
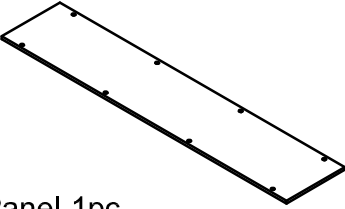
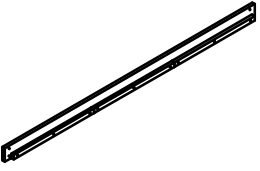
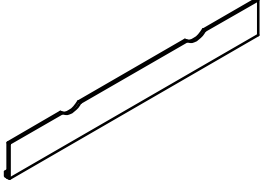
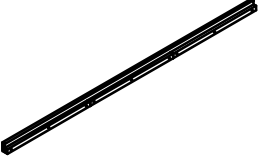
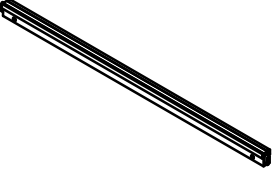
Slats-2pcs

D1

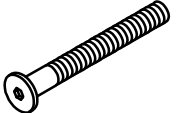

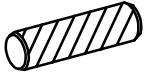
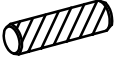

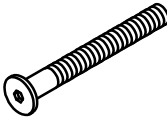



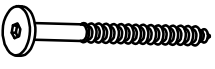
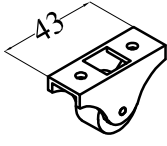




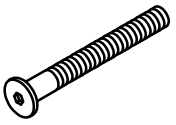



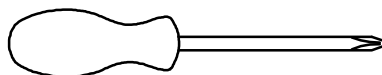
Slats-5pcs

Part List & Hardware List

<p>A1</p>  <p>Leg-1pc</p>	<p>A2</p>  <p>Leg-1pc</p>	<p>A3</p>  <p>Leg-1pc</p>
<p>A4</p>  <p>Leg-1pc</p>	<p>A5</p>  <p>WoodBar-2pcs</p>	<p>A6</p>  <p>WoodBar-1pc</p>
<p>A7</p>  <p>WoodBar-2pcs</p>	<p>A8</p>  <p>WoodBar-2pcs</p>	<p>A9</p>  <p>WoodBar-2pcs</p>
<p>B1</p>  <p>Panel-2pcs</p>	<p>B2</p>  <p>Panel-2pcs</p>	<p>E3</p>  <p>WoodBar-1pc</p>
<p>E4</p>  <p>WoodBar-2pcs</p>	<p>E5</p>  <p>WoodBar-2pcs</p>	<p>E6</p>  <p>WoodBar-1pc</p>
<p>E7</p>  <p>WoodBar-1pc</p>	<p>E8</p>  <p>Panel-1pc</p>	<p>F5</p>  <p>Side Rail-2pcs</p>
<p>F8</p>  <p>Front Trundle - 1pc</p>	<p>G2</p>  <p>Back Trundle - 1pc</p>	<p>G3</p>  <p>WoodBar-1pc</p>

Hardware List

<p>1</p>  <p>Ø1/4" x 70 mm Hex-Head bolts 8pcs</p>	<p>2</p>  <p>Ø1/4" x 13 mm Horizontal-Hole bolts 40pcs</p>	<p>3</p>  <p>Ø10 x 40 mm Wood dowel 4pcs</p>
<p>4</p>  <p>Ø8 x 30 mm Wood dowel 8pcs</p>	<p>5</p>  <p>Allen Key 1pc</p>	<p>6</p>  <p>Ø1/4" x 60 mm Hex-Head bolts 16pcs</p>
<p>7</p>  <p>Ø1/4" x 30 mm Hex-Head bolts 2pcs</p>	<p>8</p>  <p>Screws 1/4" x30 8pcs</p>	<p>9</p>  <p>Screws 1/4" x50 4pcs</p>
<p>10</p>  <p>Screws 1/4" x70 16pcs</p>	<p>11</p>  <p>Wheels 12pcs</p>	<p>12</p>  <p>Bracket 3 pcs</p>
<p>13</p>  <p>M4 x 15 mm Wood Screws 20pcs</p>	<p>14</p>  <p>M4 x 30 mm Wood Screws 34pcs</p>	<p>15</p> <p>Đầu dù nhỏ</p>  <p>M4 x 15 mm Wood Screws 32pcs</p>
<p>16</p>  <p>Ø1/4" x 50 mm Hex-Head bolts 16pcs</p>	<p>17</p>  <p>M3.5 x 12 mm Wood Screws 16pcs</p>	



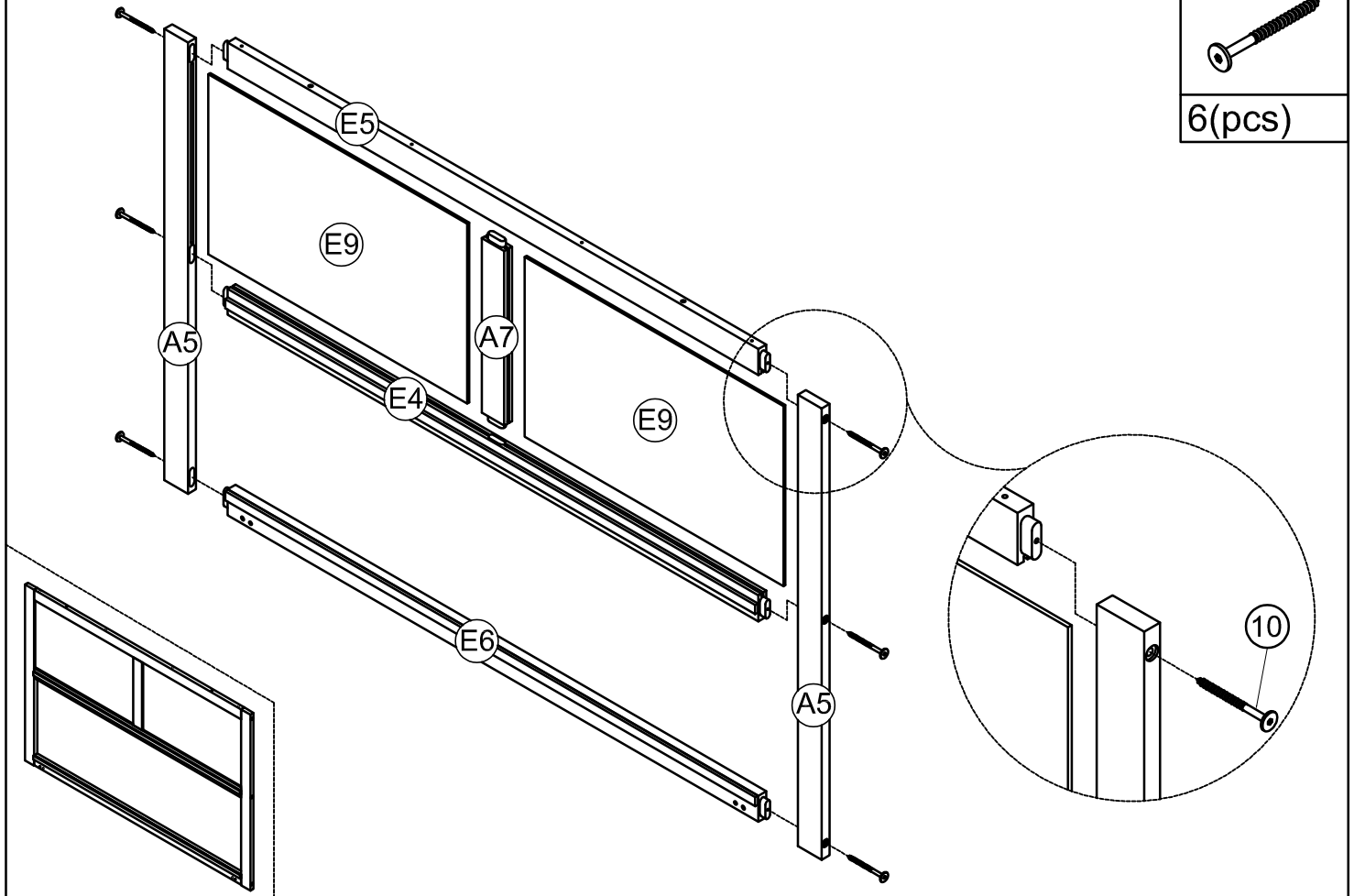
Assembly Tools Required (Not Included)

STEP1: Following below illustration.

10



6(pcs)

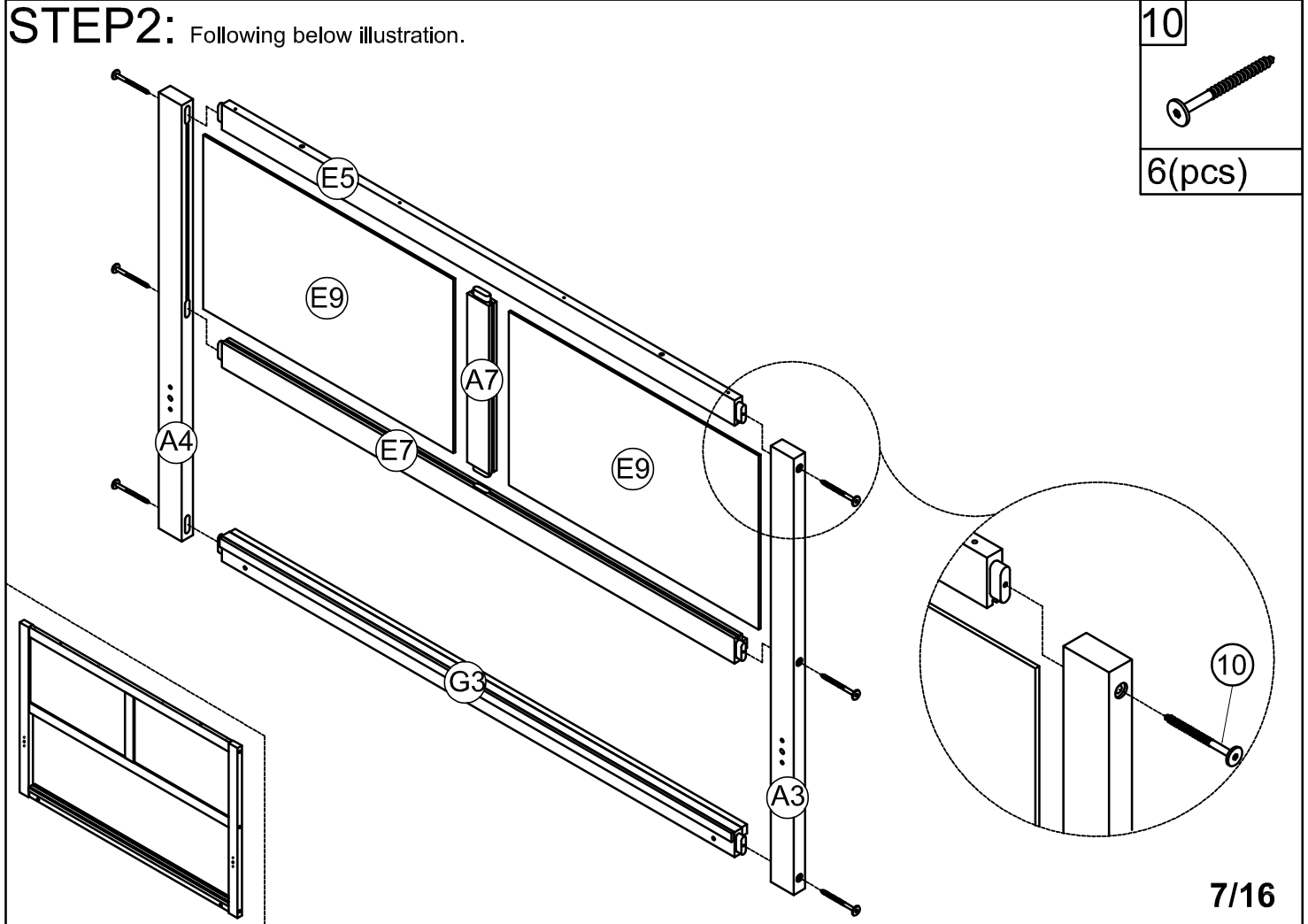


STEP2: Following below illustration.

10



6(pcs)

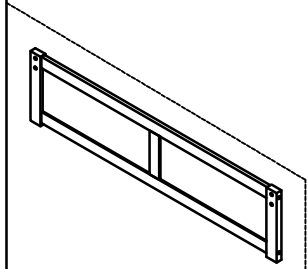
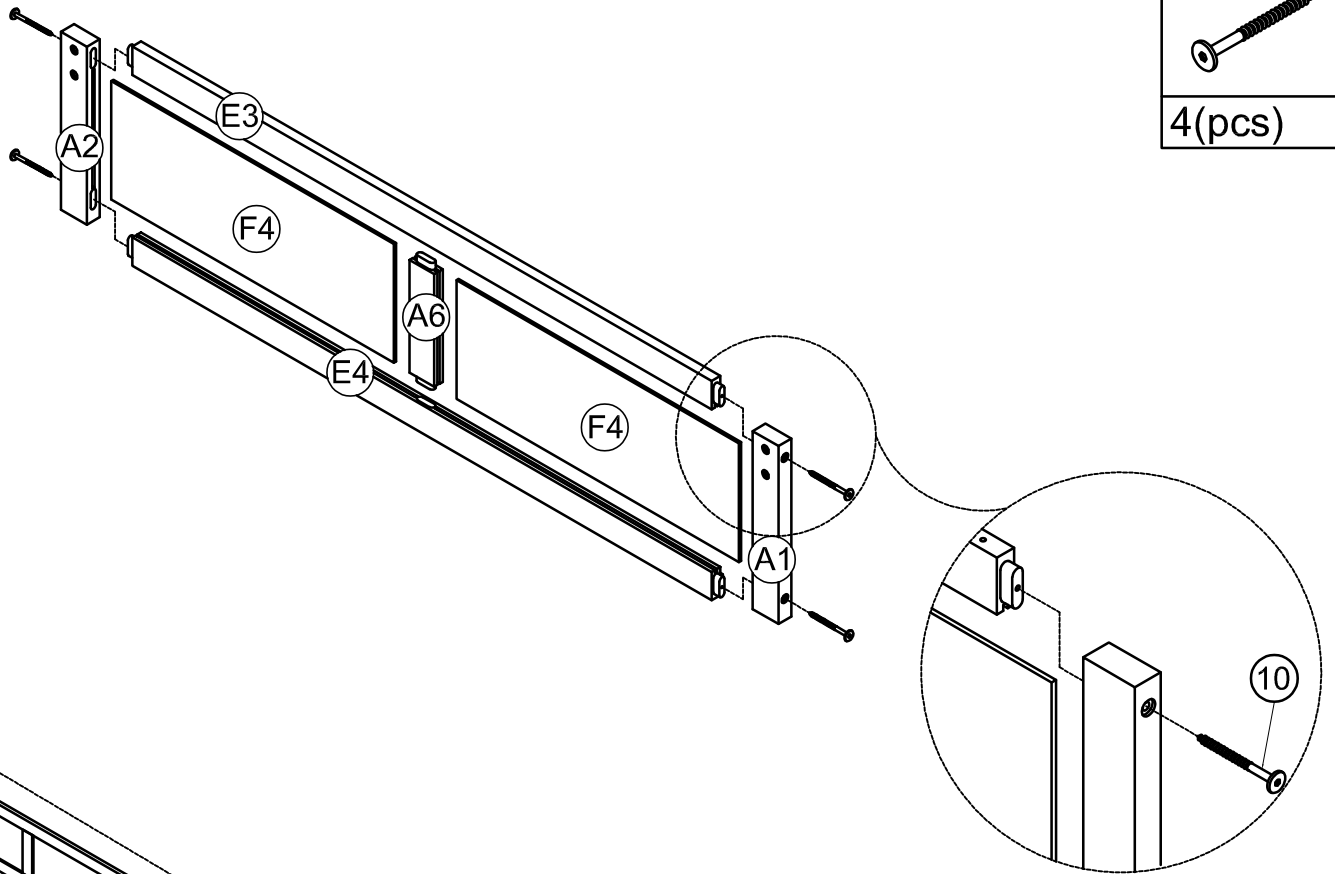


STEP3: Following below illustration.

10



4(pcs)



STEP4: Following below illustration.

4

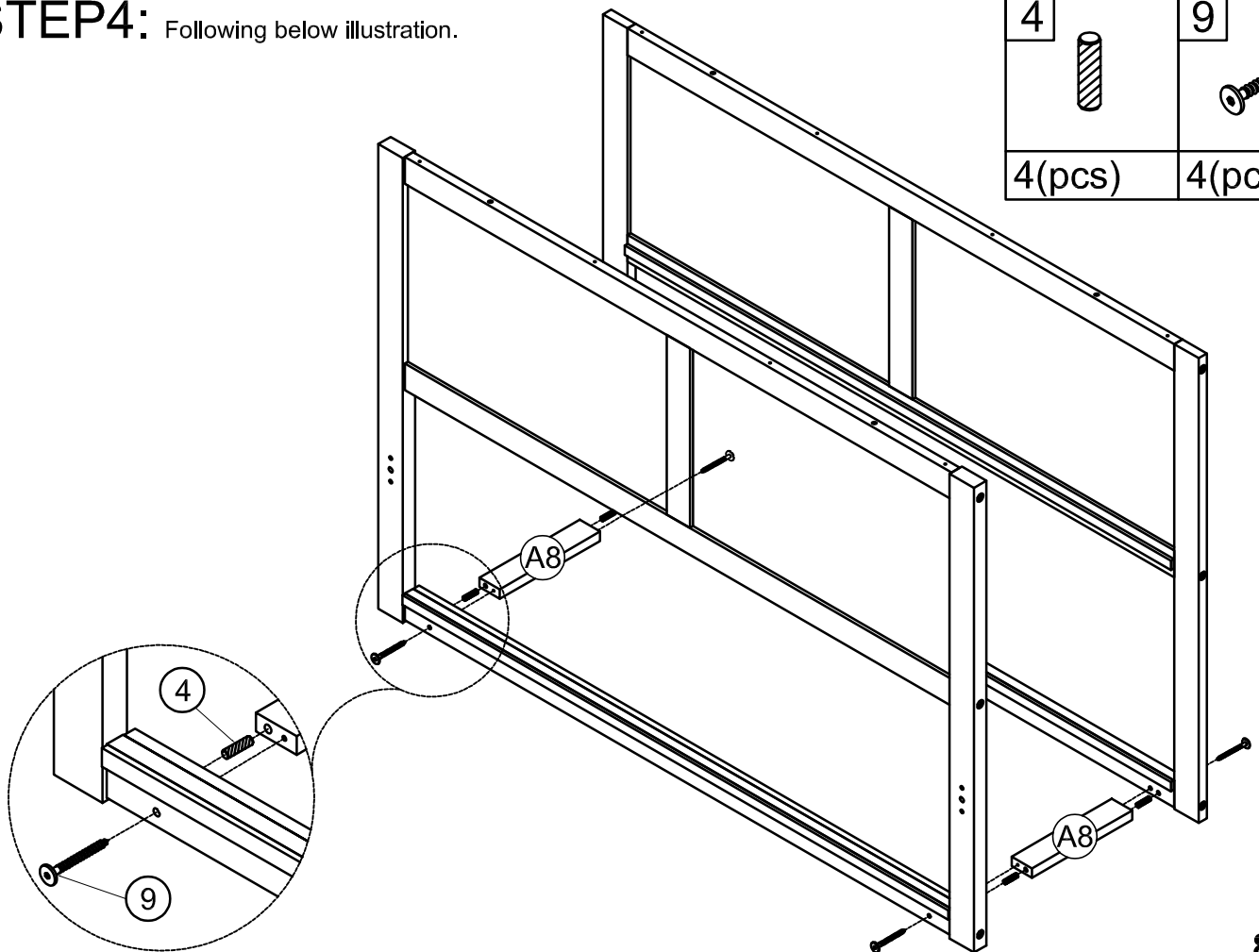


4(pcs)



9

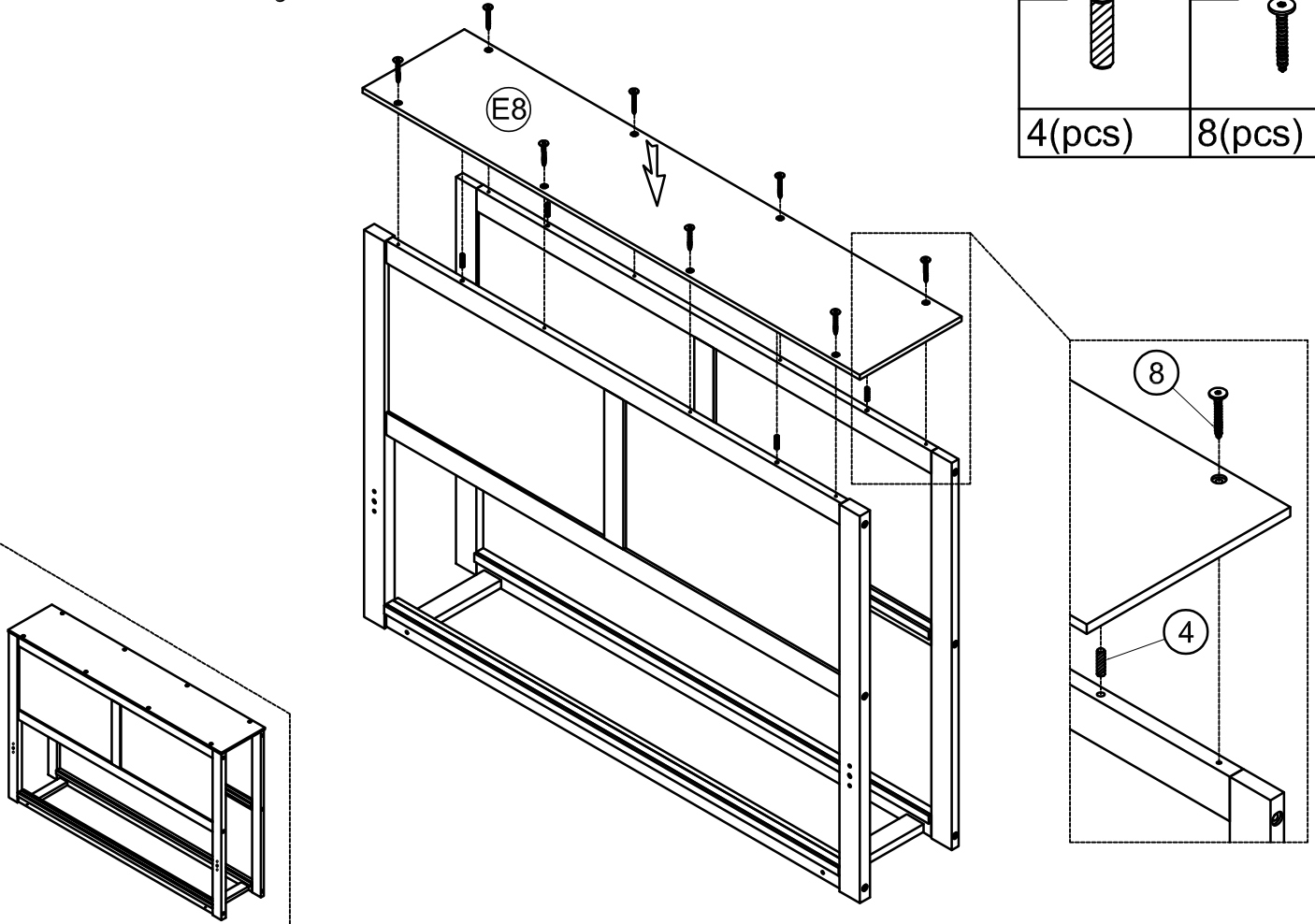


4(pcs)

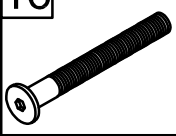

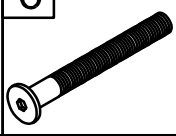


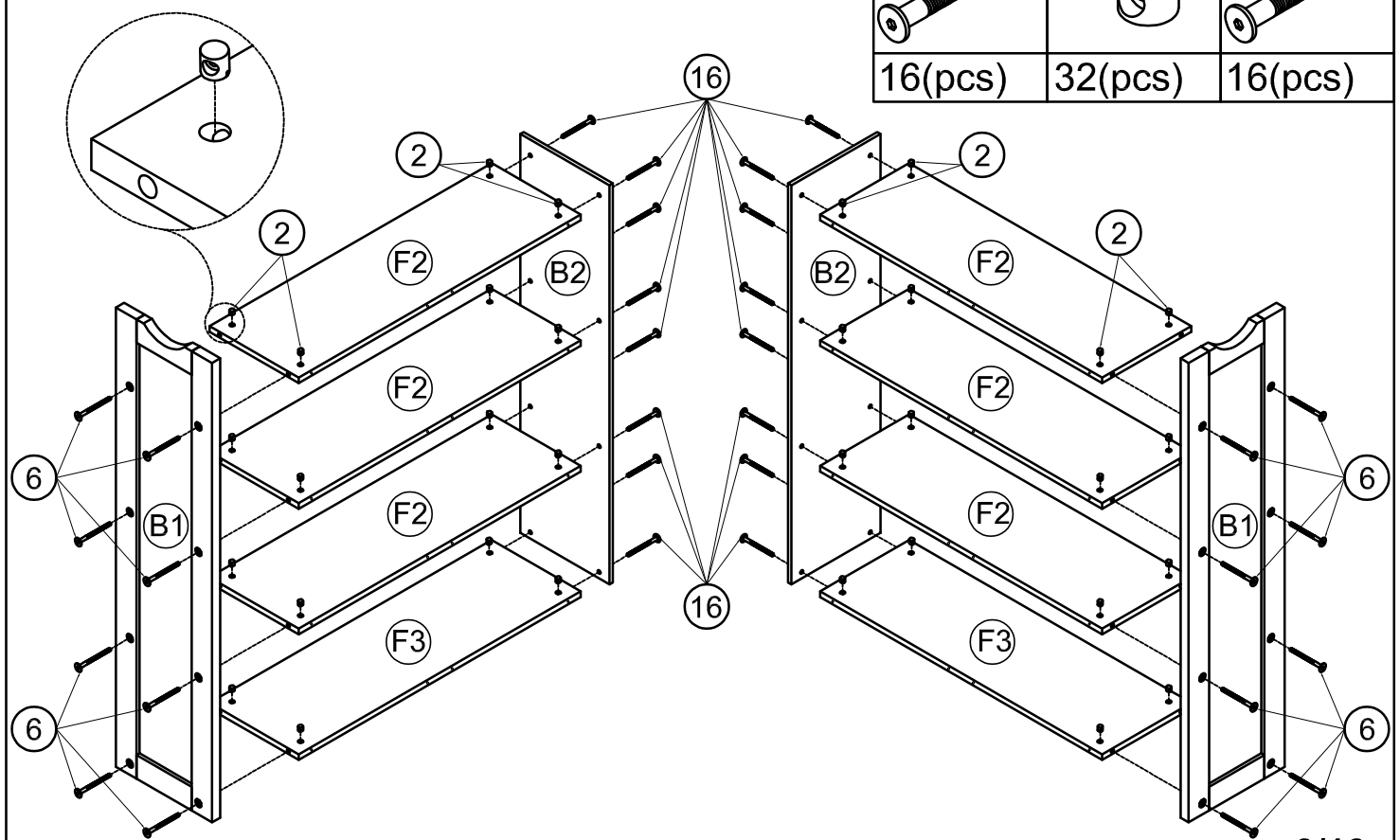
STEP5: Following below illustration.

4		8	
4(pcs)		8(pcs)	



STEP6: Following below illustration.

16		2		6	
16(pcs)		32(pcs)		16(pcs)	

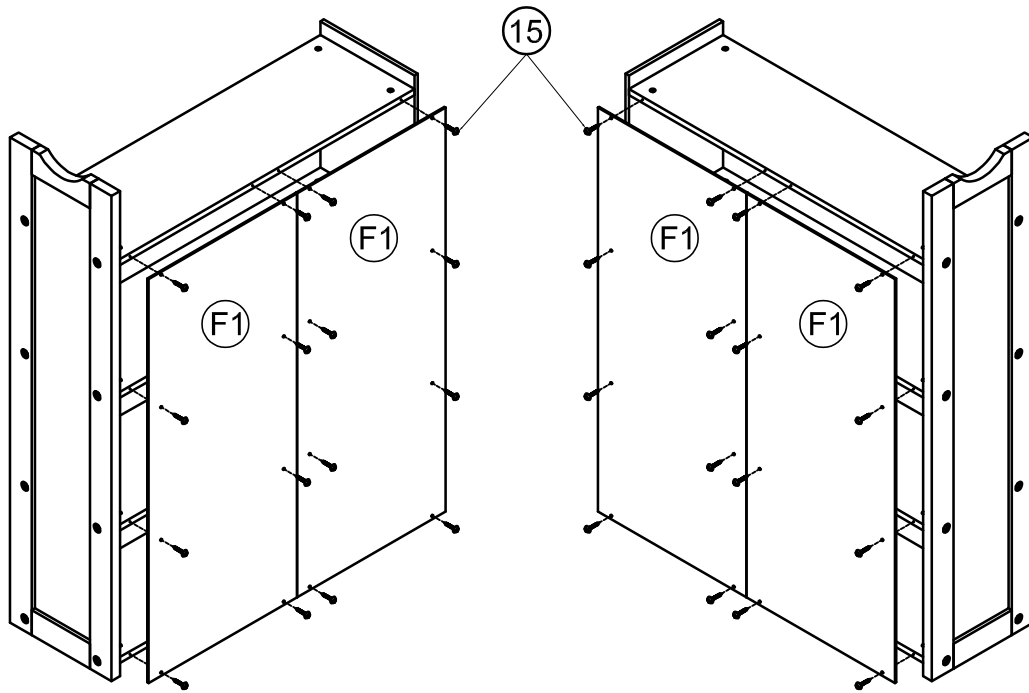


STEP7: Following below illustration.

15

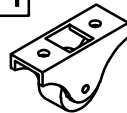


32(pcs)



STEP8: Following below illustration.

11

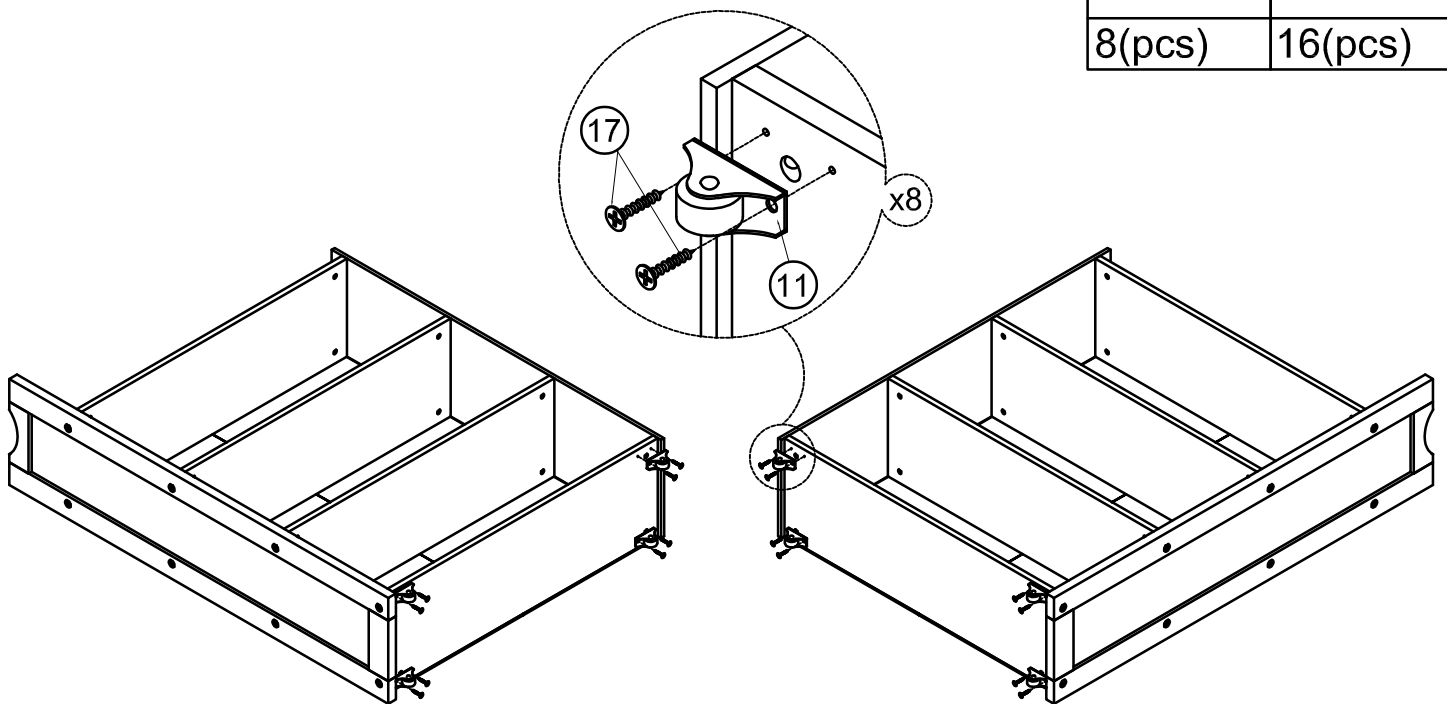


8(pcs)


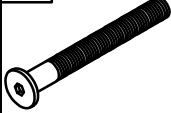

17

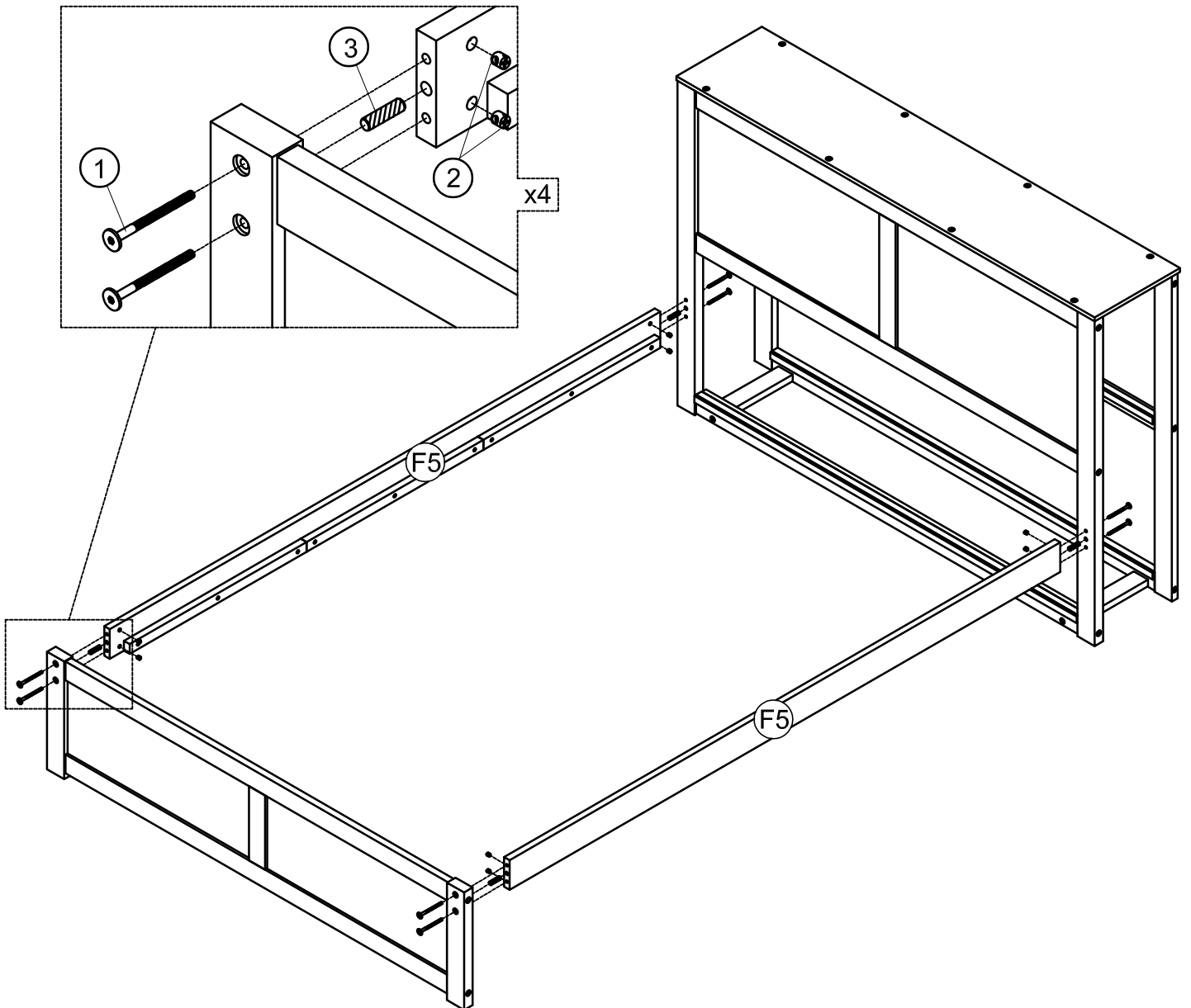


16(pcs)





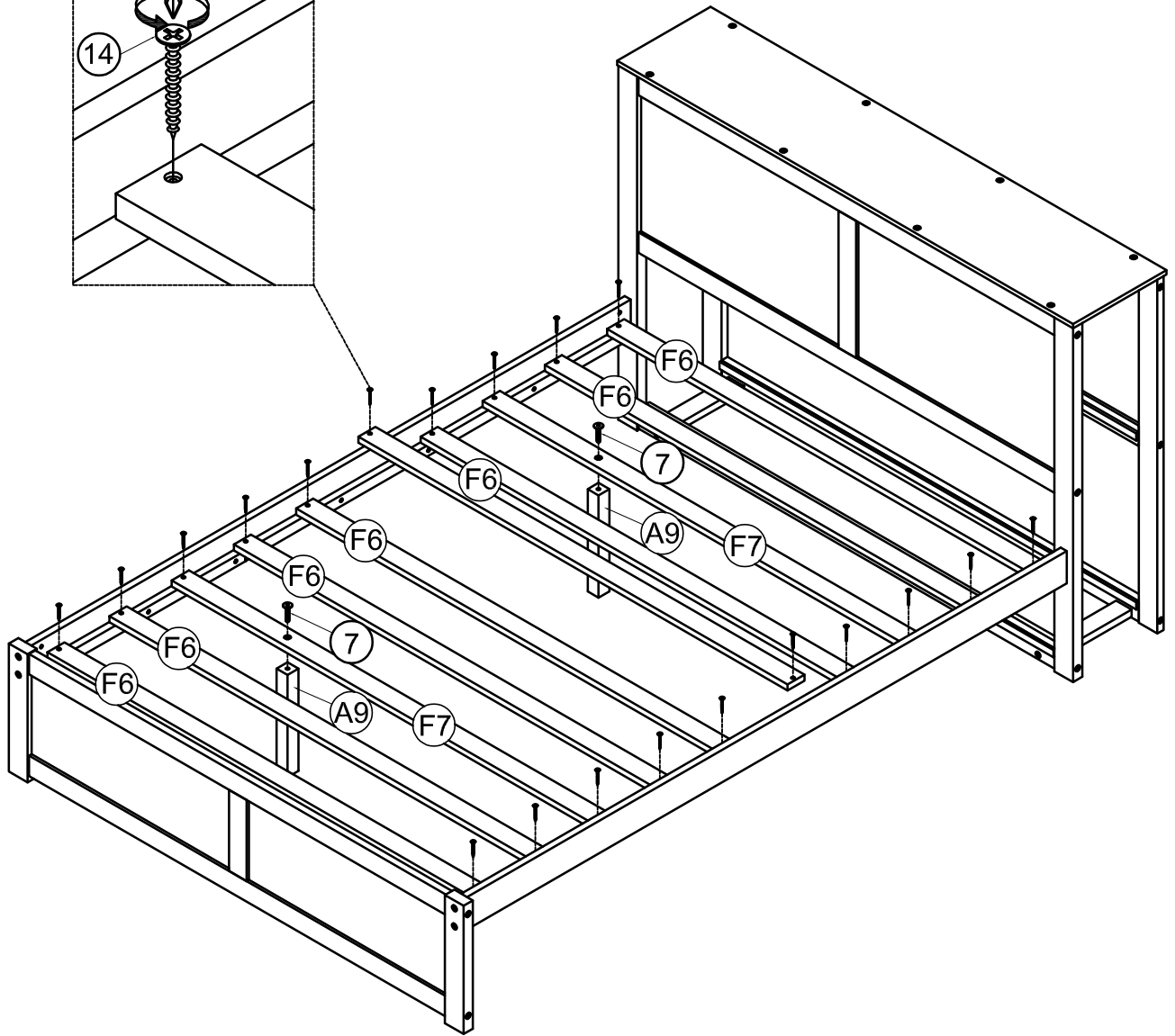
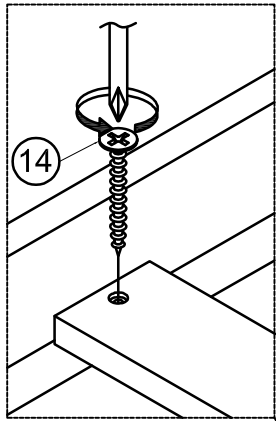
STEP9: Following below illustration.

2	1	3
		
8(pcs)	8(pcs)	4(pcs)

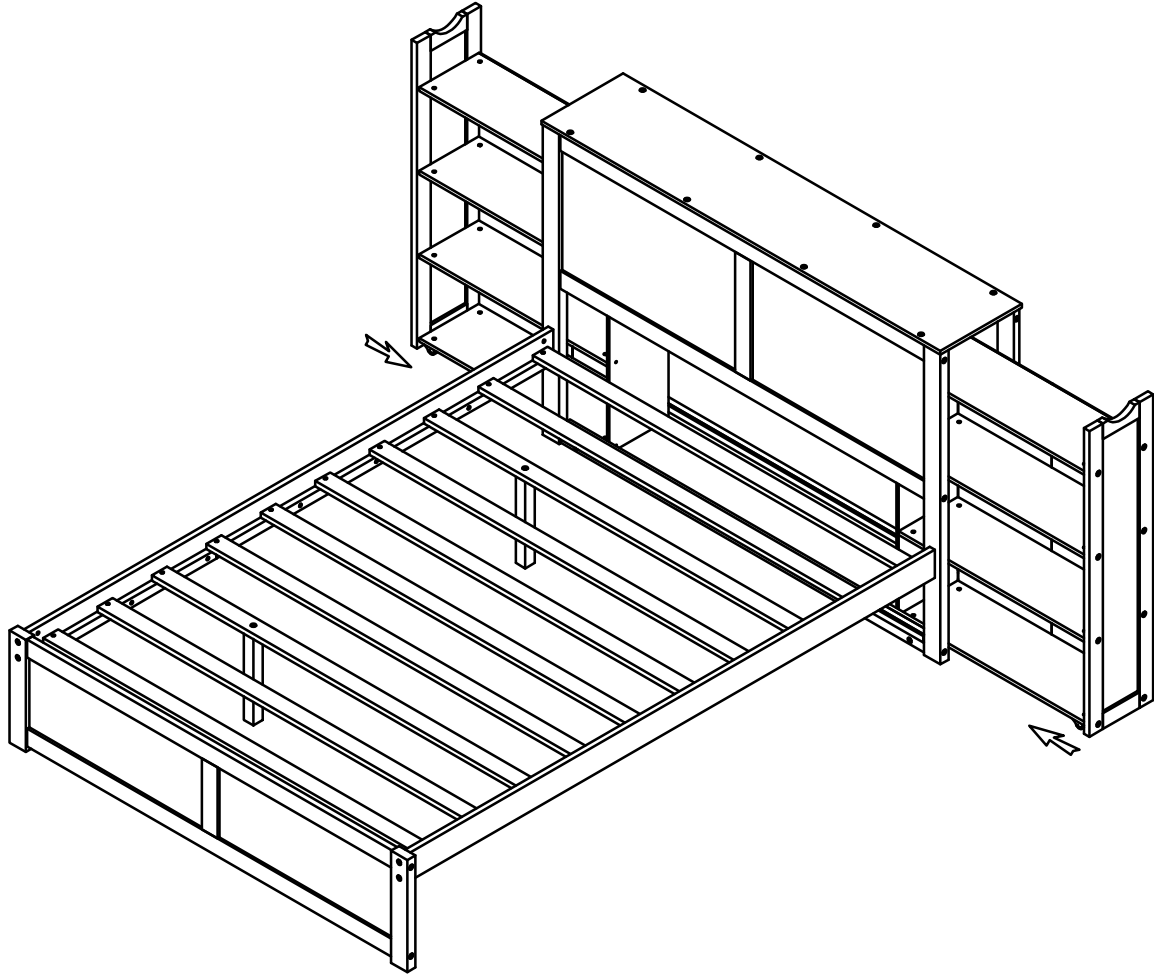


STEP10: Following below illustration.

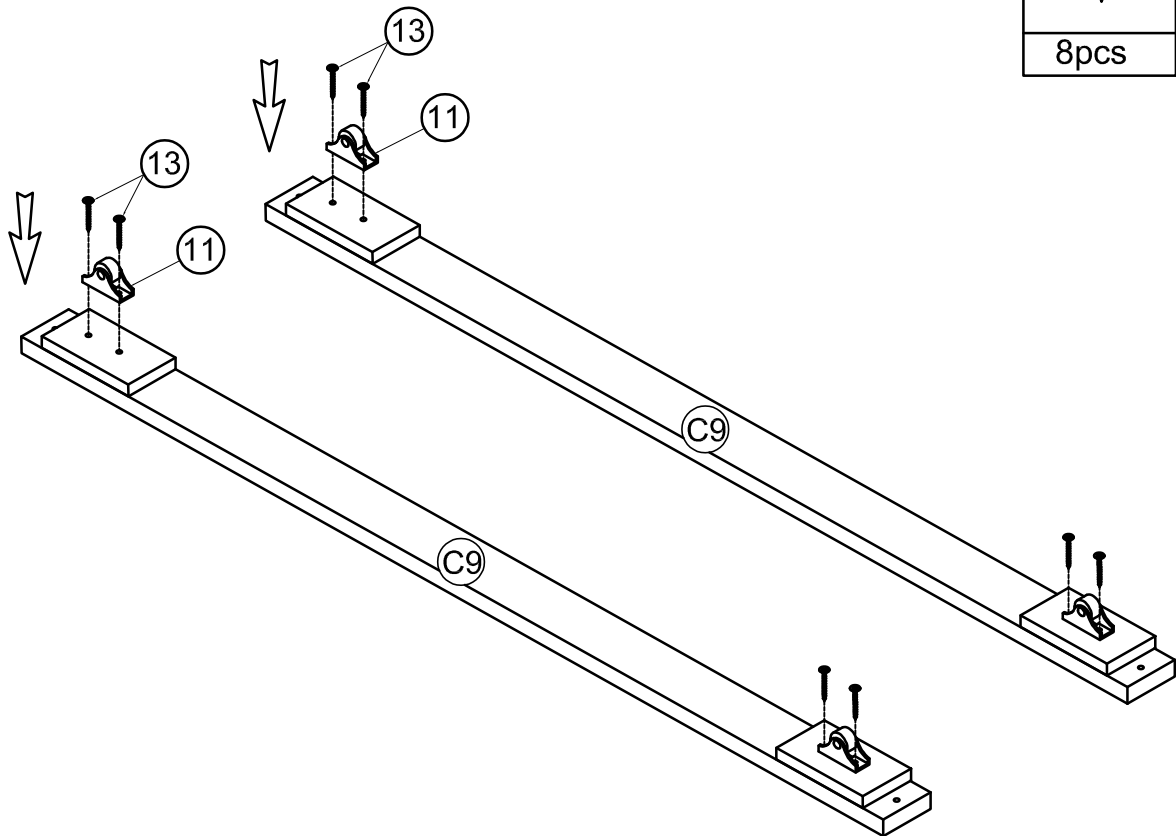
14	
20(pcs)	
7	
2(pcs)	





STEP11: Following below illustration.




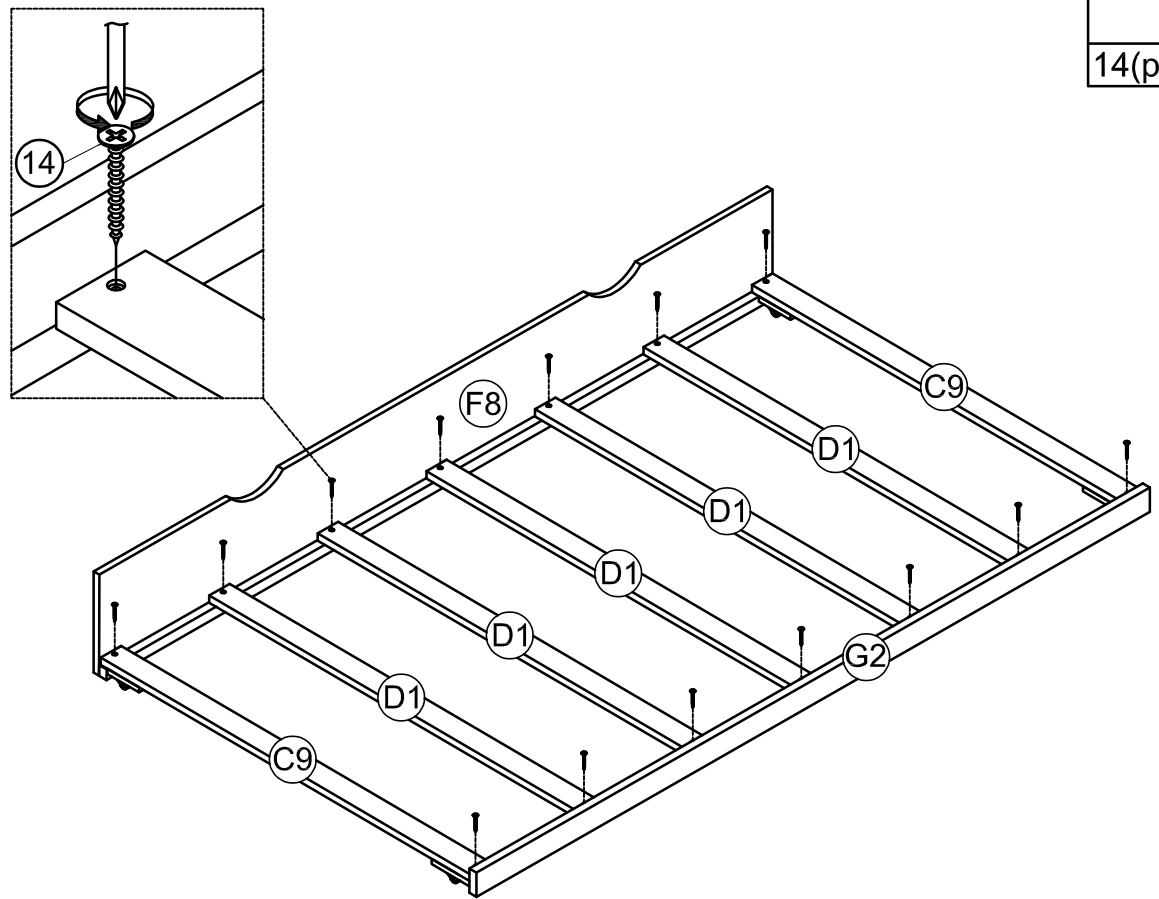
STEP12: Following below illustration.





13	11
	
8pcs	4pcs

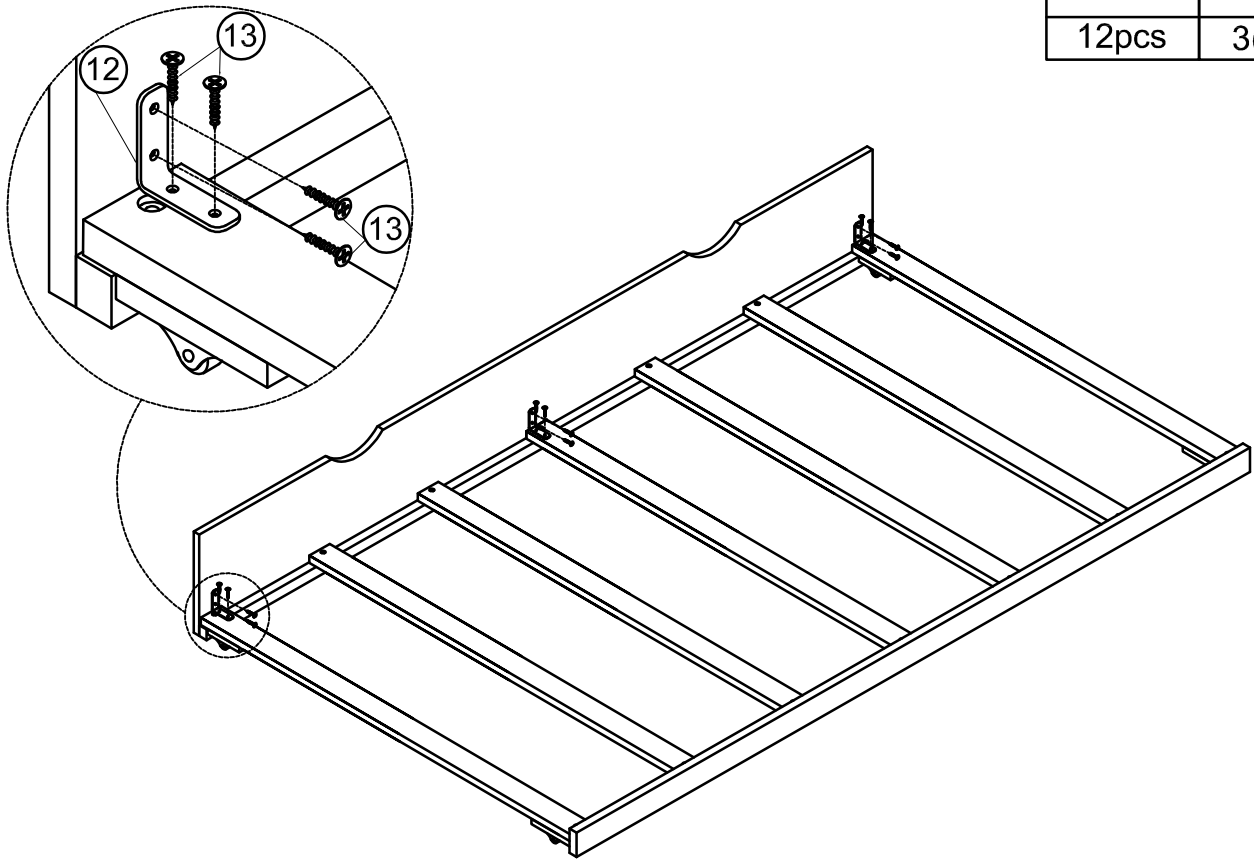
STEP13: Following below illustration.

14	
14(pcs)	



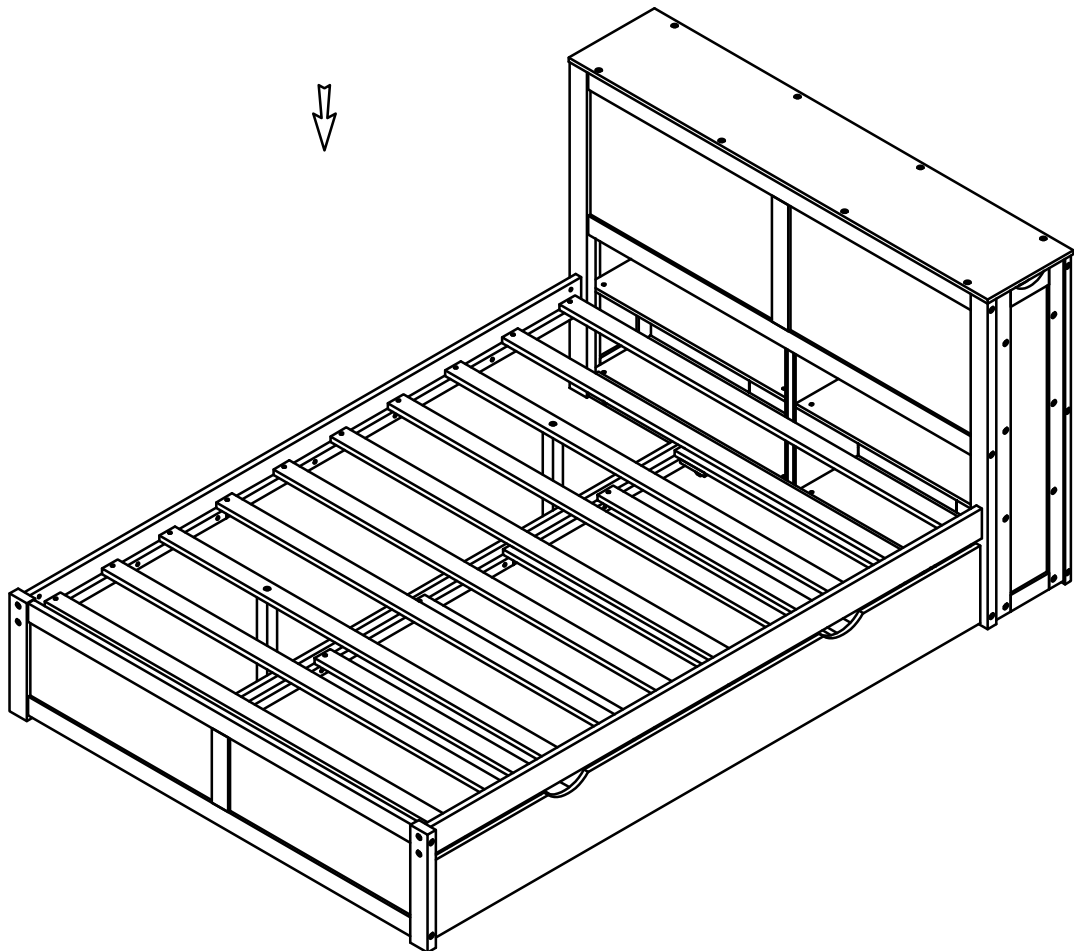
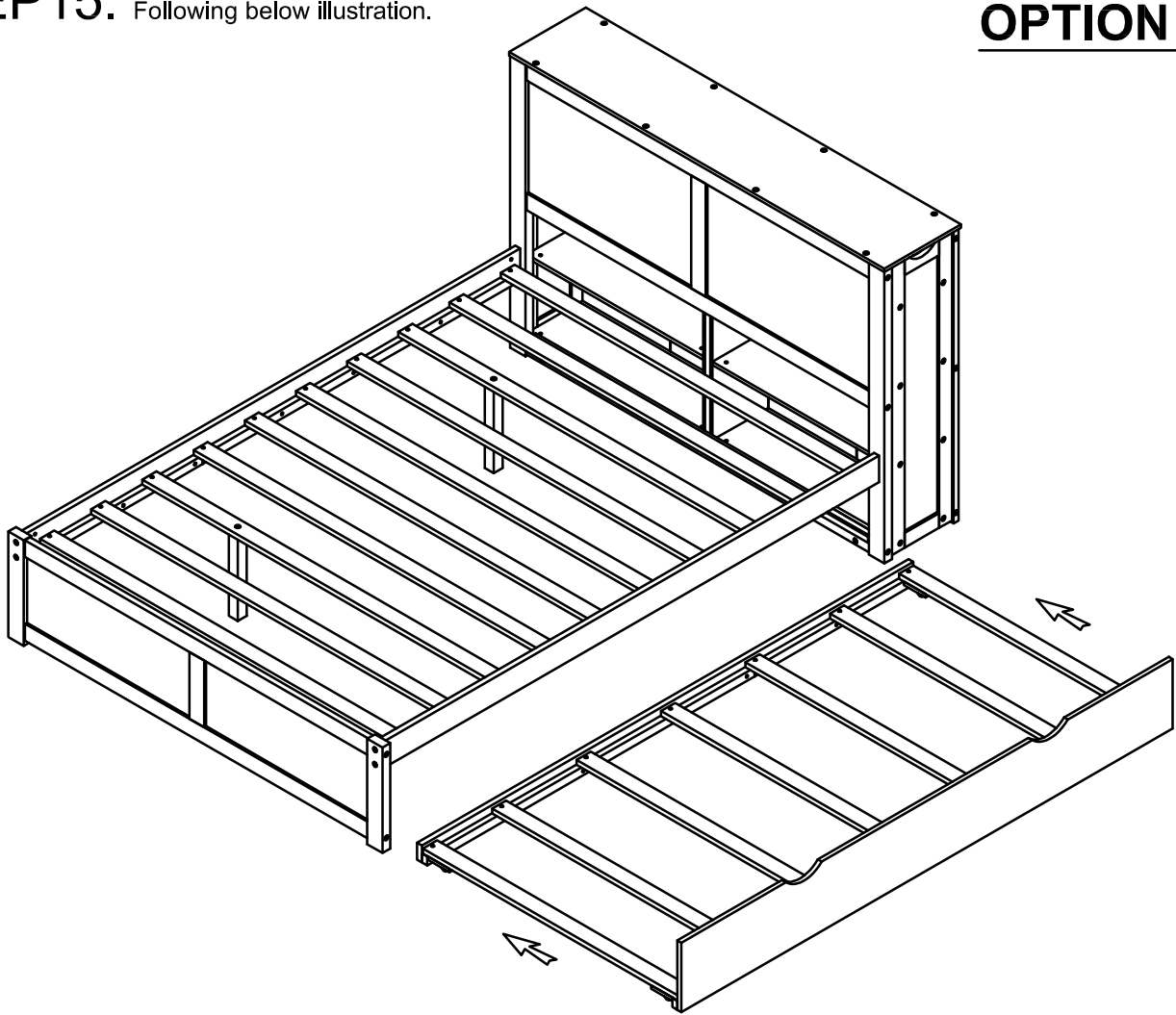
STEP14: Following below illustration.

13		12	
12pcs		3(pcs)	



STEP15: Following below illustration.

OPTION 1



OPTION 2

